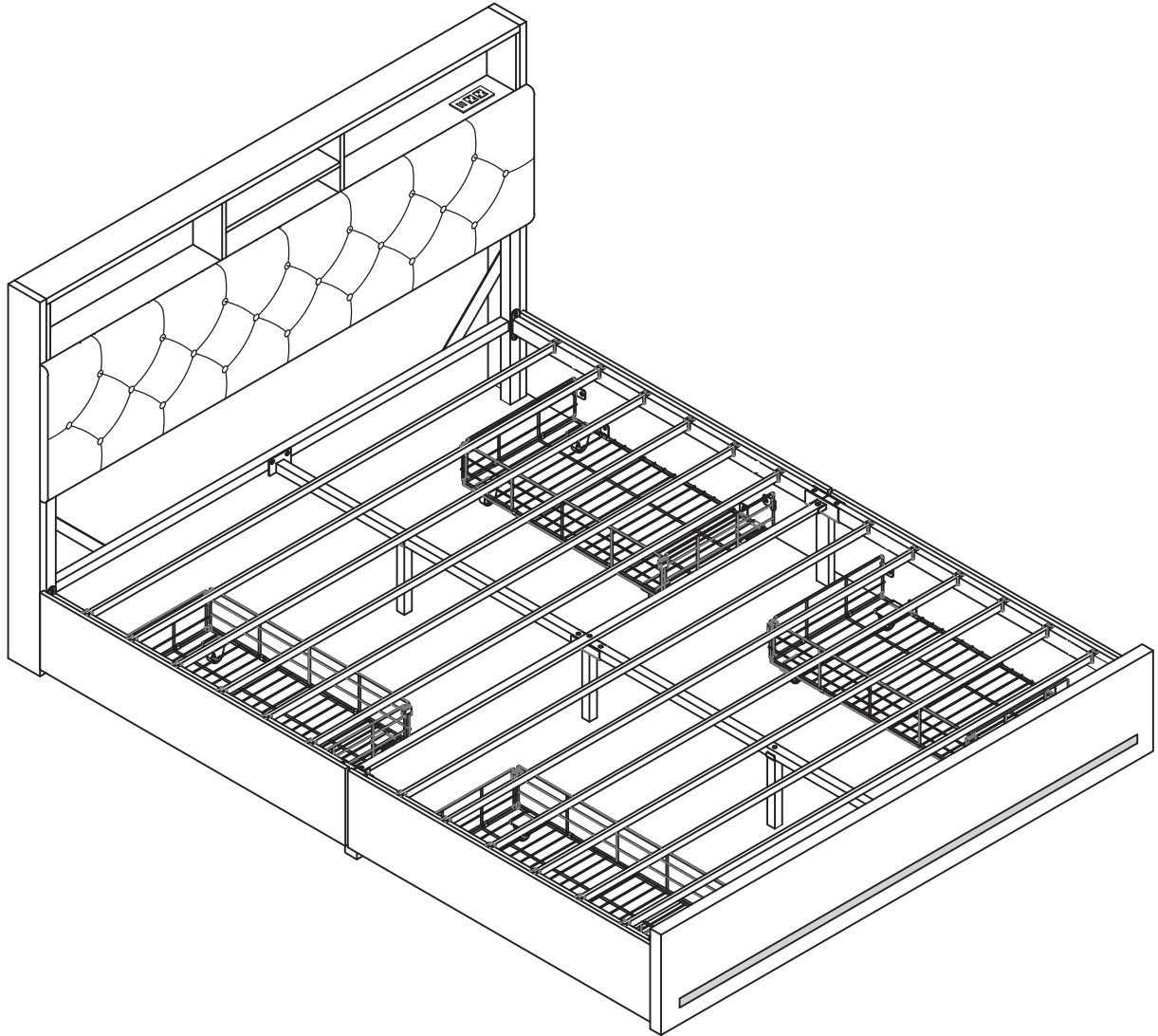
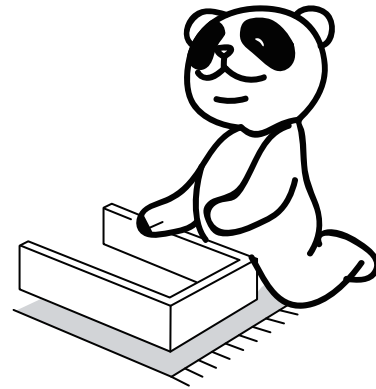
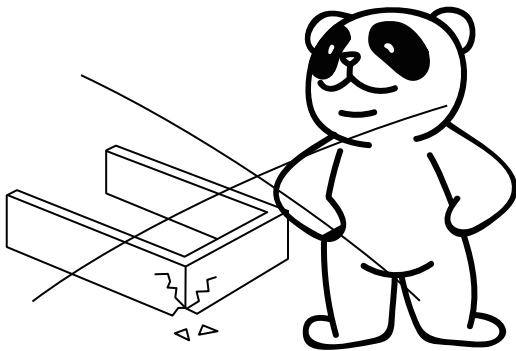
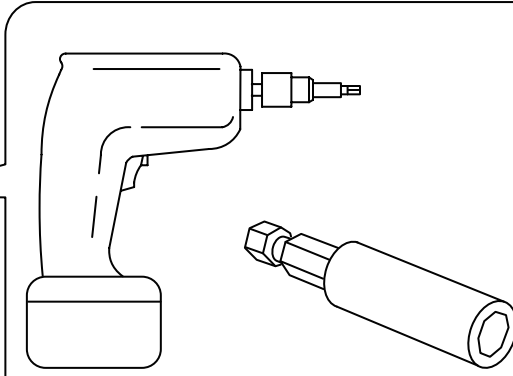
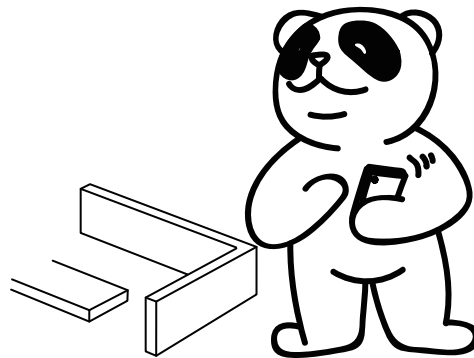
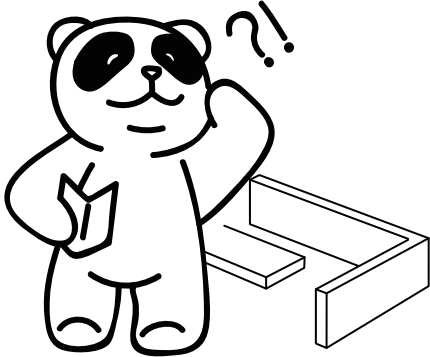


Installation & Assembly

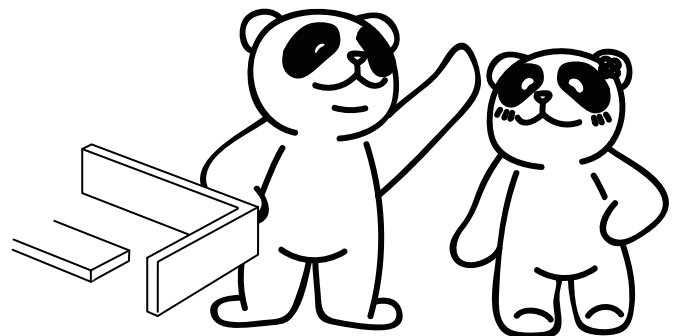
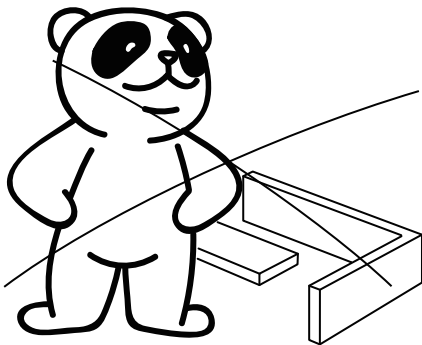




Violent installation is prohibited

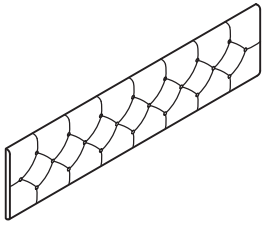


Please call if you need help

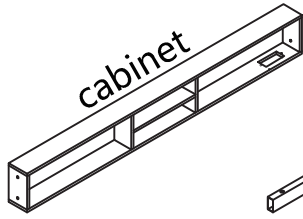


Multi-person cooperation is recommended

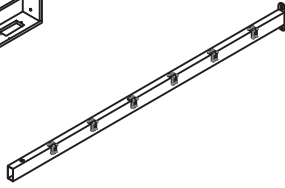
Assembly Instruction



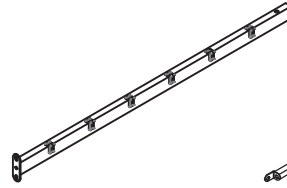
1
x1



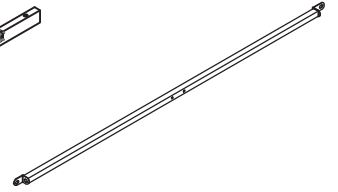
2
x1



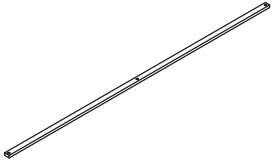
3
x2



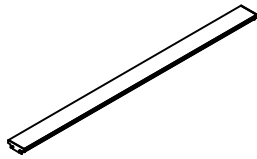
4
x2



5
x1



7
x1



8
x1



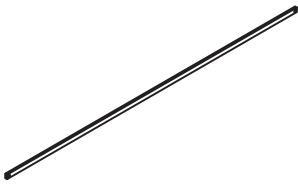
9
x2



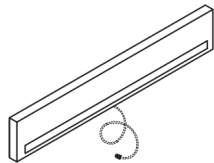
10
x1



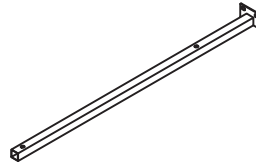
11
x2



12
x12



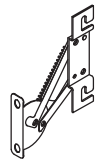
13
x1



21
x2



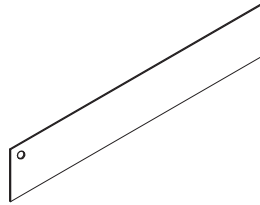
22
x1



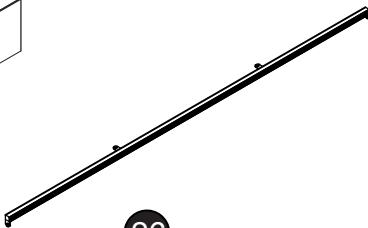
23
x1



24
x2



25
x1



26
x1



36
x1



37
x1



38
x2

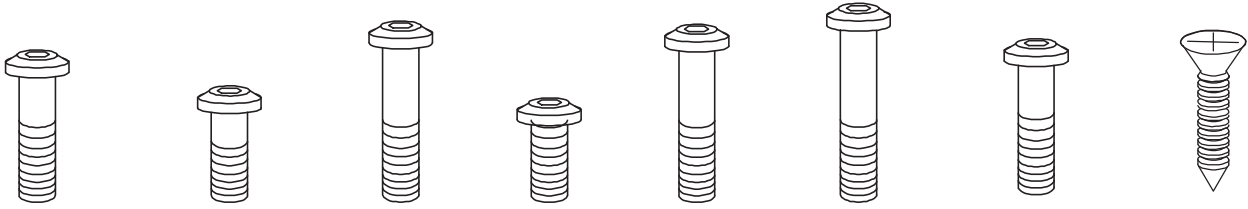


40
x2



41
x1

Assembly Instruction



A

M8*20
×26

B

M8*15
×38

C

M8*45
×8+1

D

M6*12
×2

E

M8*35
×4+1

G

M8*48
×5+1

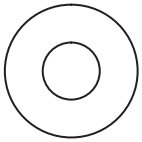
golden

H

M8*30
×4+1

I

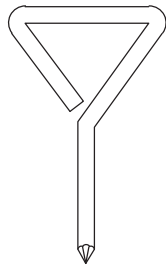
M3*12
×2+1



F

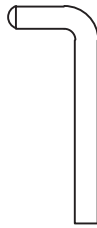
M8*Φ22

×11



J

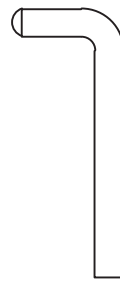
×1



M

M6

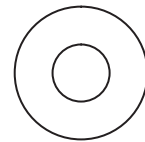
×1



U

M8

×1



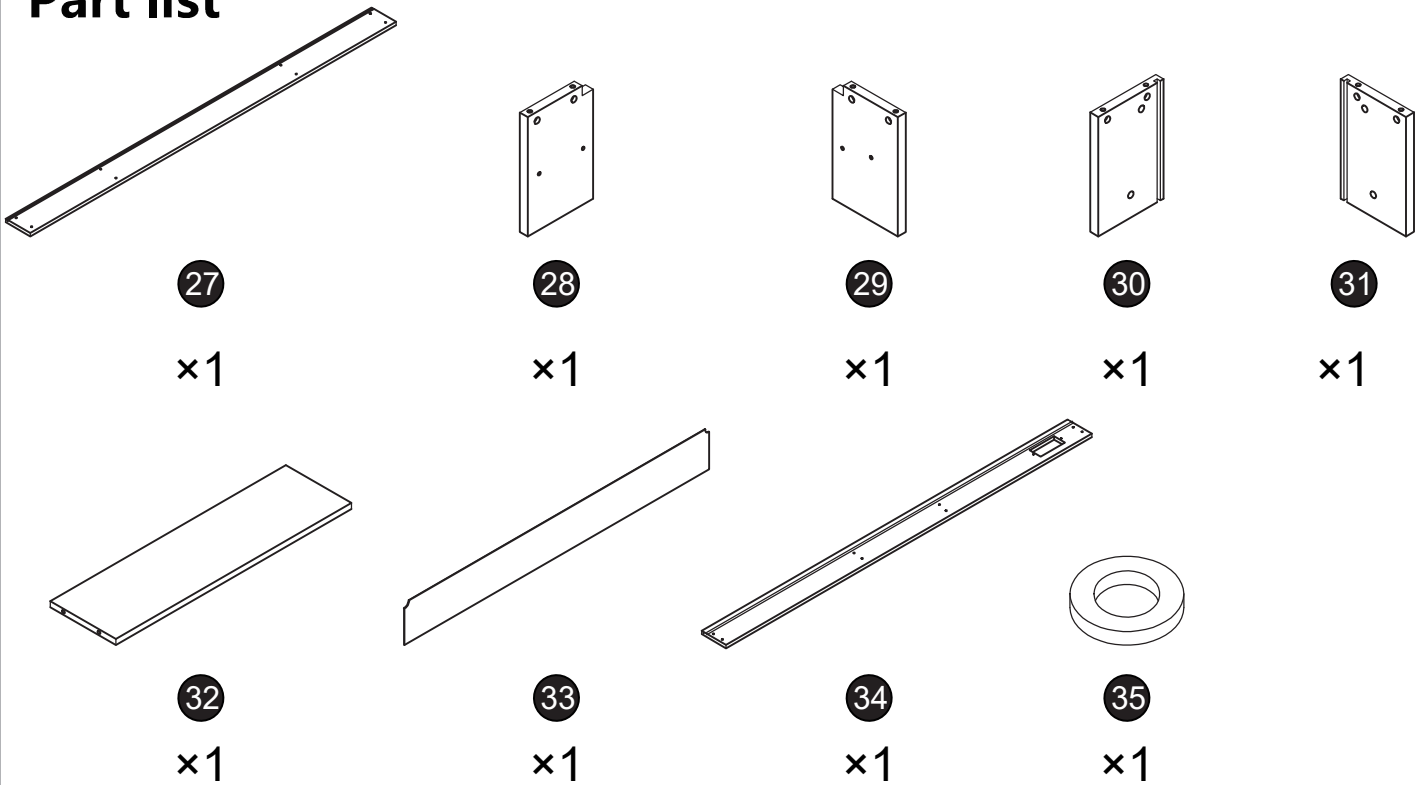
V

Golden
M8*Φ22

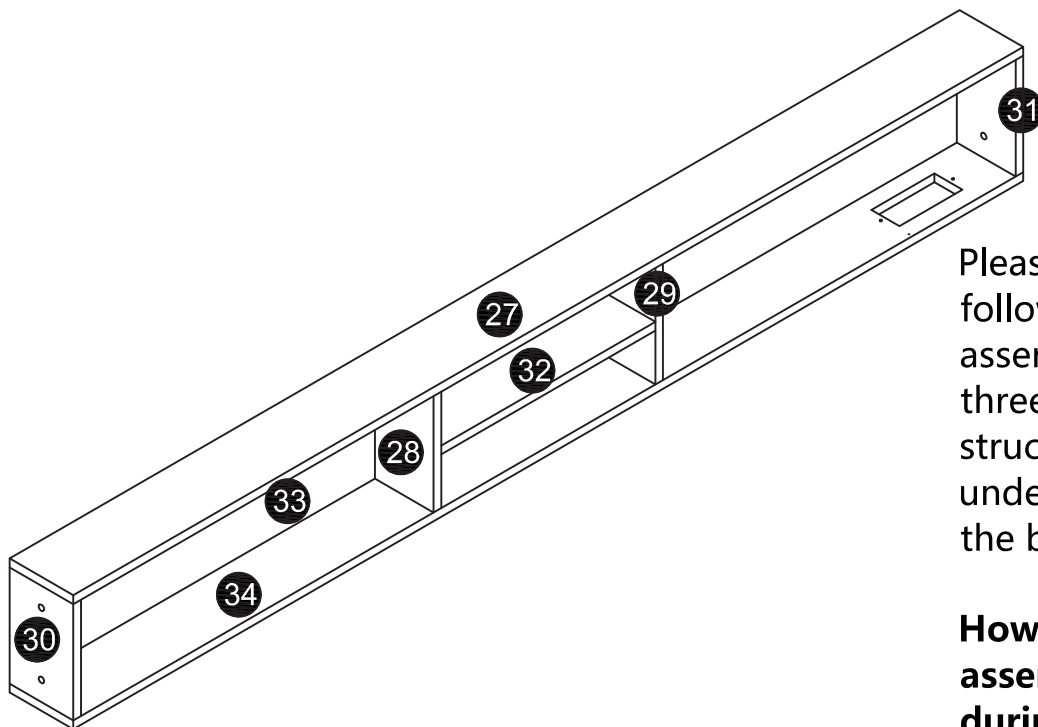
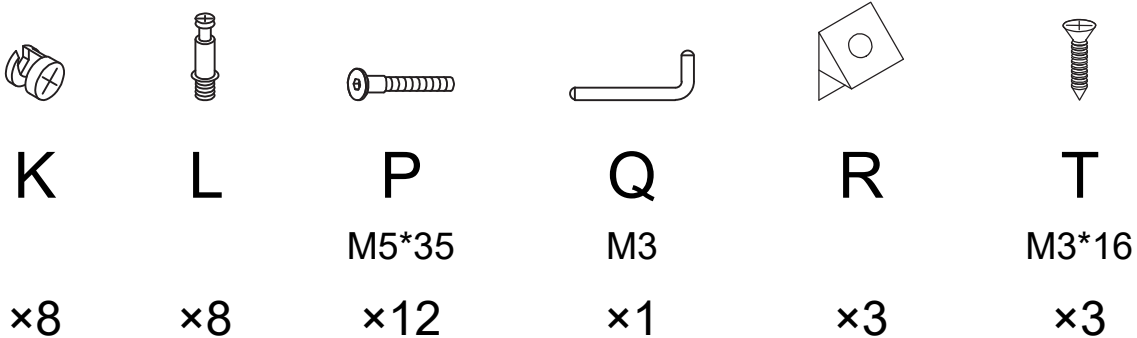
×4+1

Assembly Instruction of Bedside cabinet

Part list



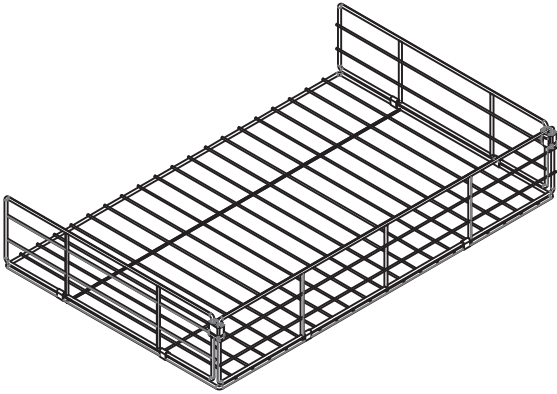
Hardware parts



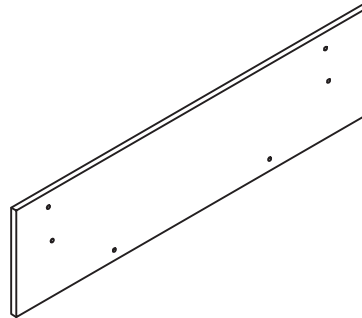
Please note that the following bedside table assembly instructions are a three-dimensional upward structure, which helps to understand the assembly of the bedside table.

However, for ease of assembly, please lay it flat during actual assembly.

Assembly Instruction of drawer

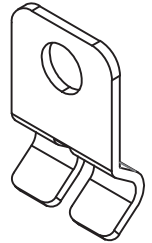


14
x4



Drawer board

17
x4



Iron buckle

19
x16

B  M8*15
Screw x24

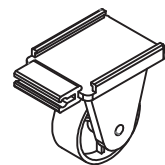
Note the B in the hardware blister pack



plastic buckle(A) x 8



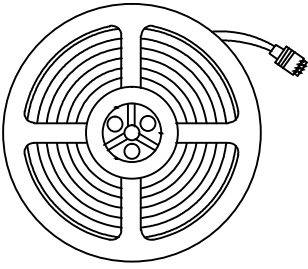
plastic buckle(B) x 8



Pulley x 16

Assembly Instruction

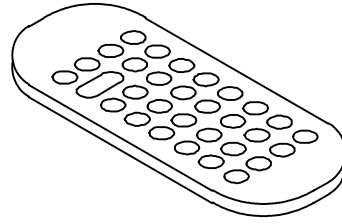
LED light strip electronic accessories list



42

X1

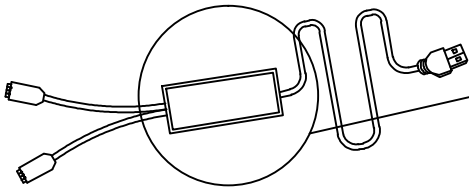
Long light bar



44

X1

Remote control



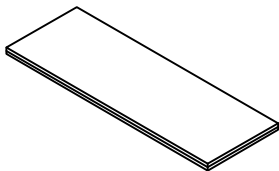
43

X1

Power cord



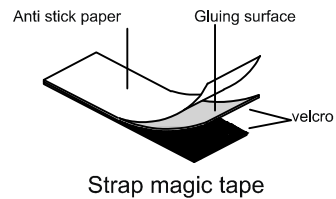
There is a two-dimensional code at the position of the power line. Scanning can download the APP for the control light



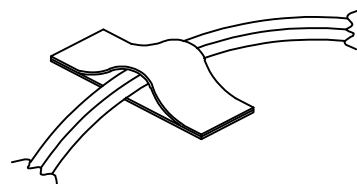
45

X8

Strap magic tape

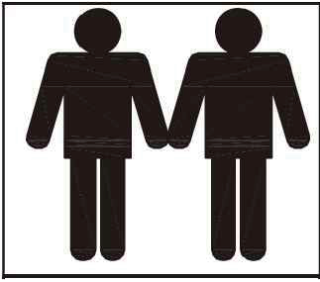


When the wires are disordered, tear off the anti stick paper, paste it on the place where the wires pass, and then bind the wires.



Note:

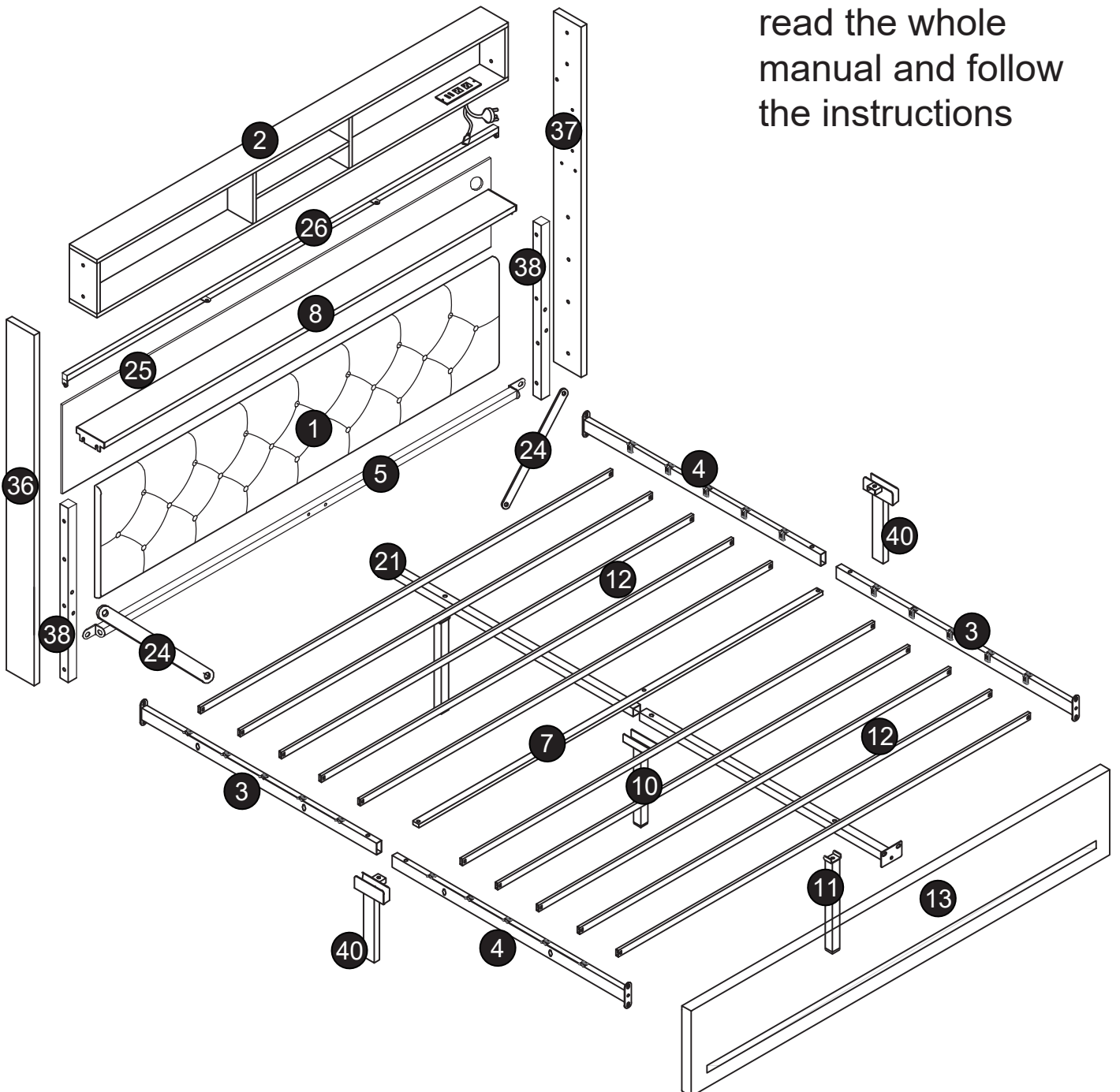
1. Should be assembled on flat ground to keep balance.
2. Before completing the installation, do not tighten the screws.



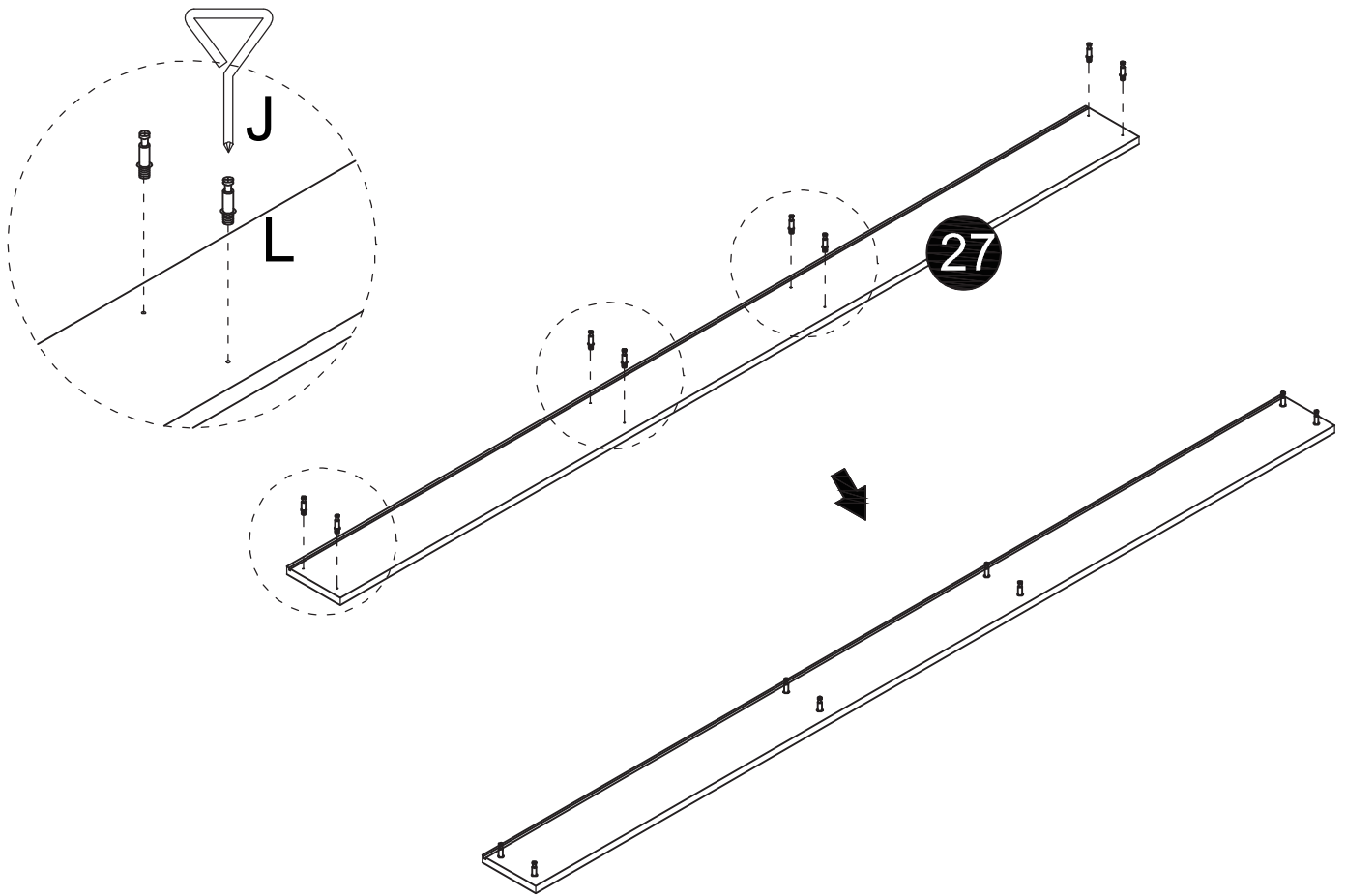
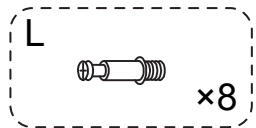
It needs at least two people to install.



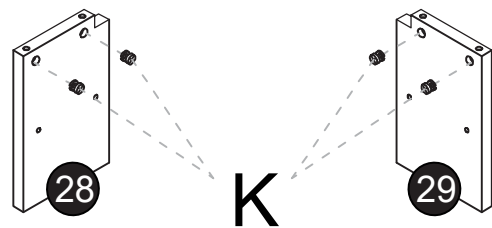
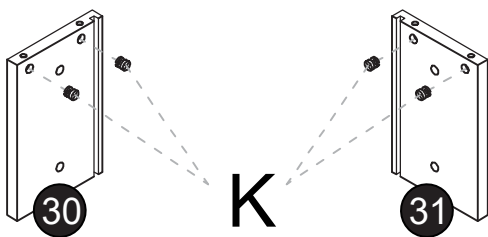
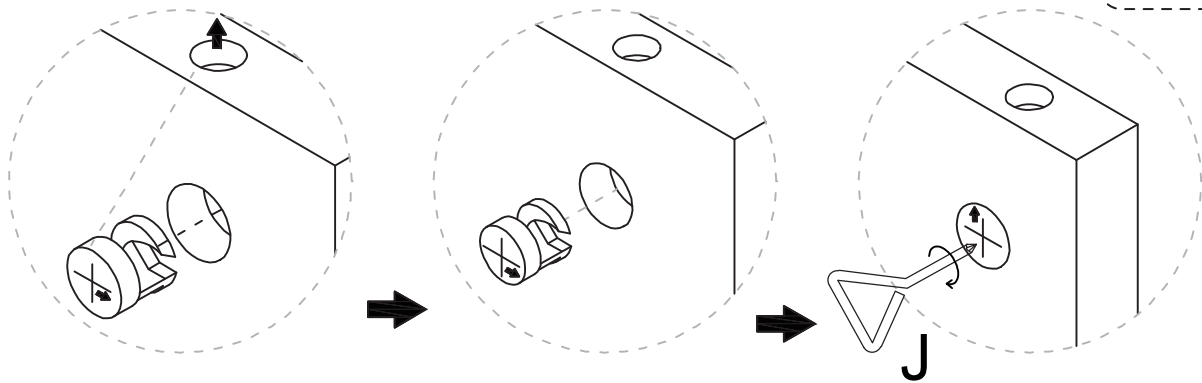
Before starting the assembly, you must read the whole manual and follow the instructions



1

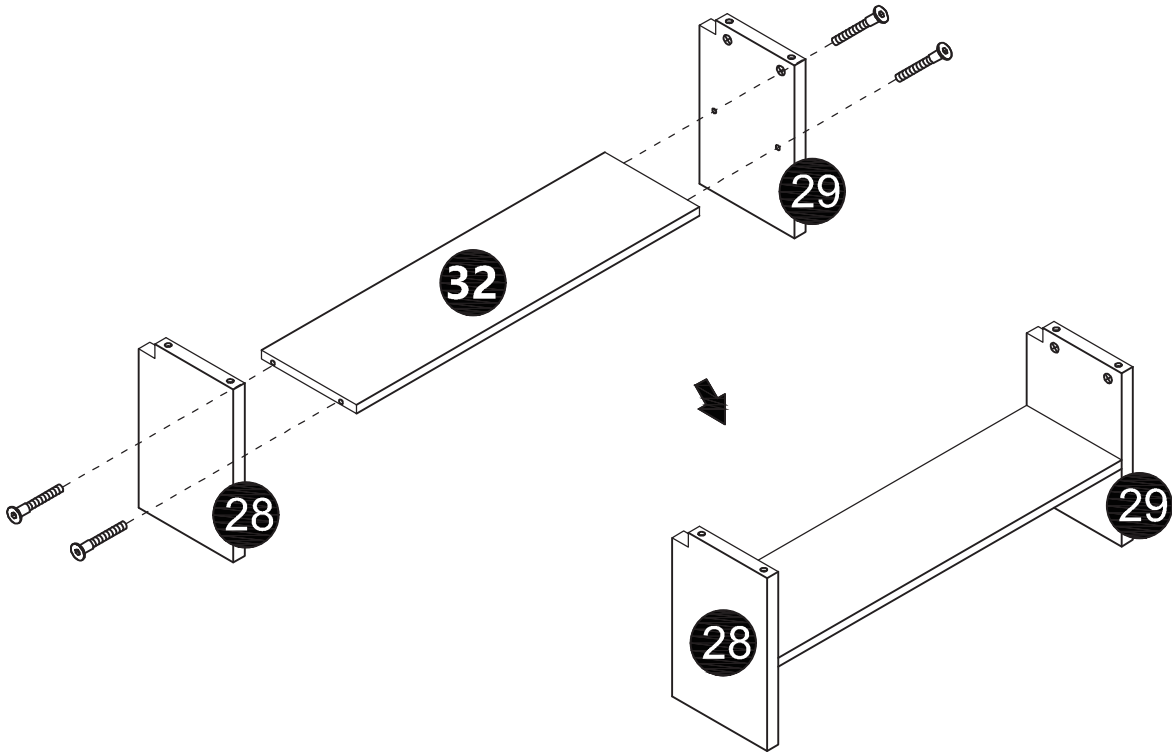


2



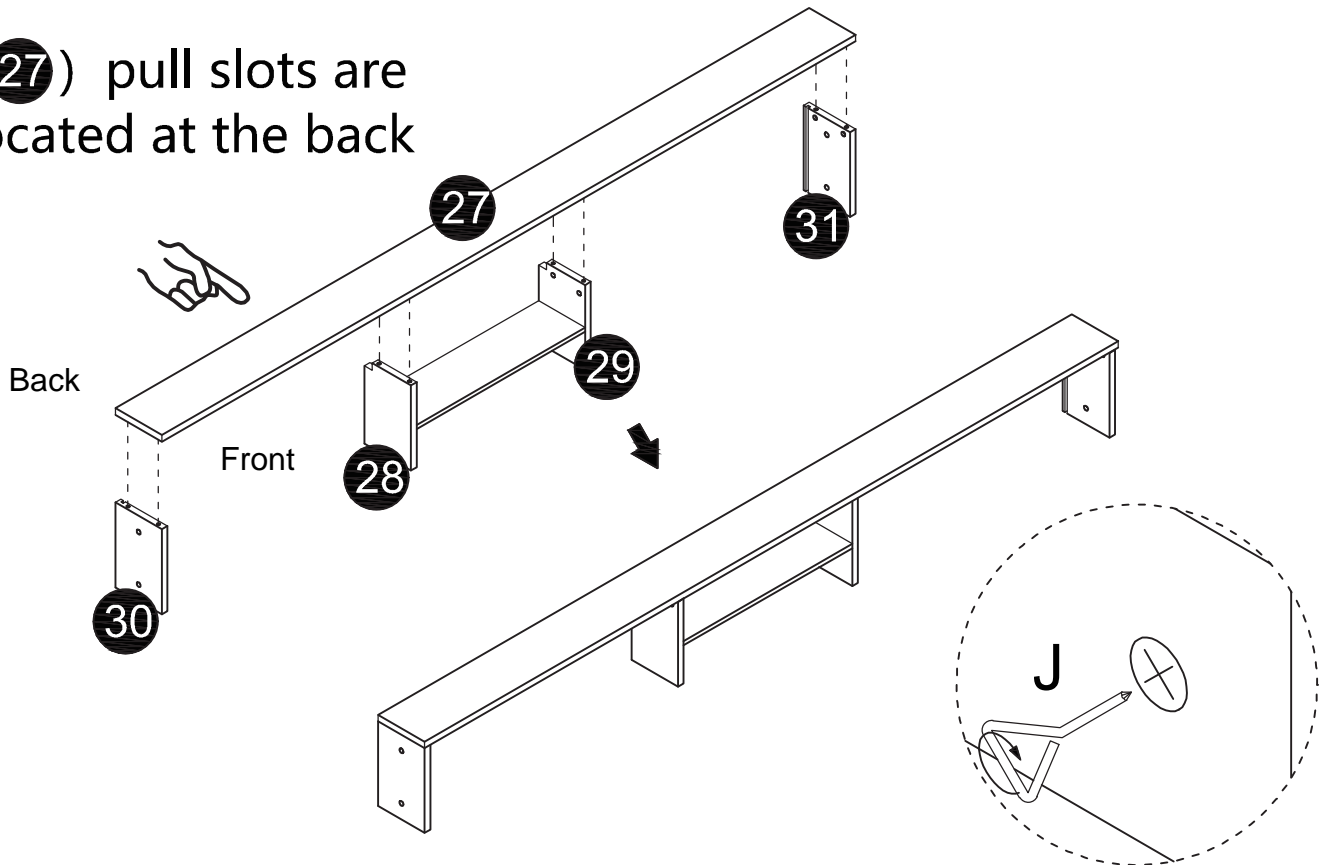
3

P M5*35
x4

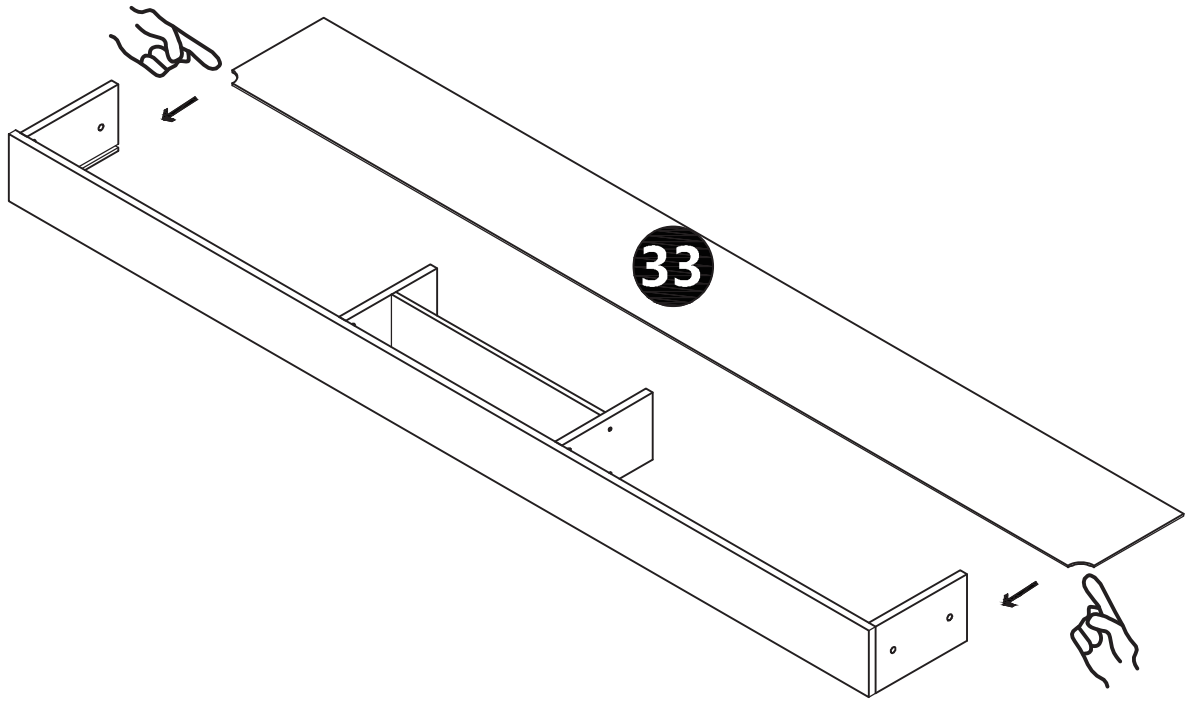


4

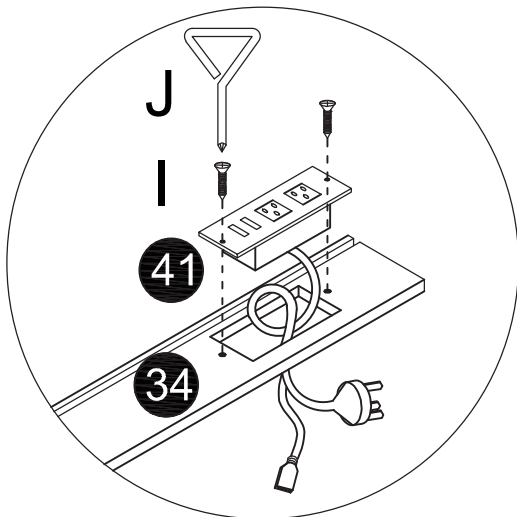
(27) pull slots are located at the back



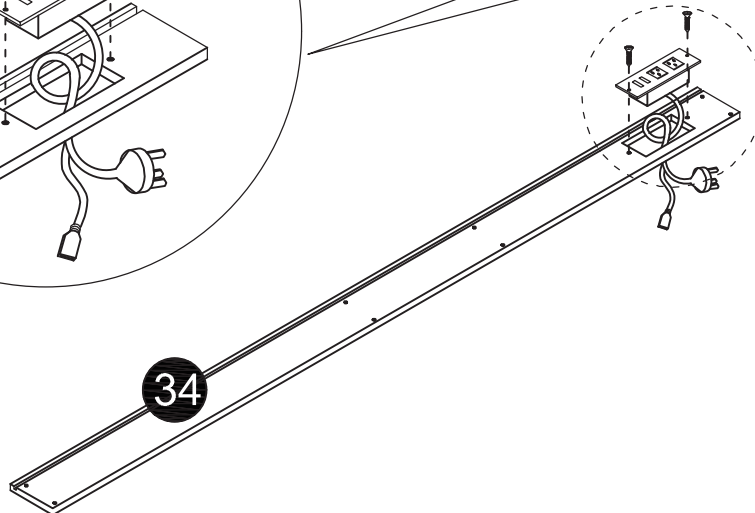
5



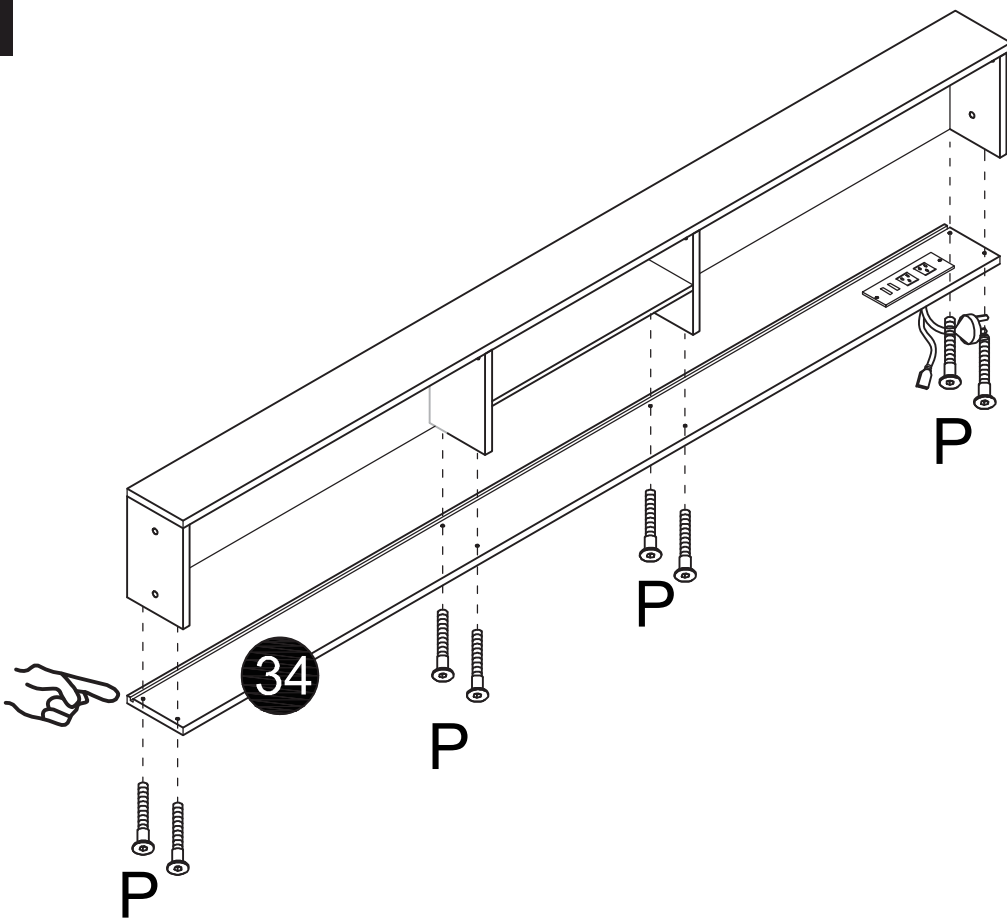
6



Please pay attention to the direction of the socket during installation

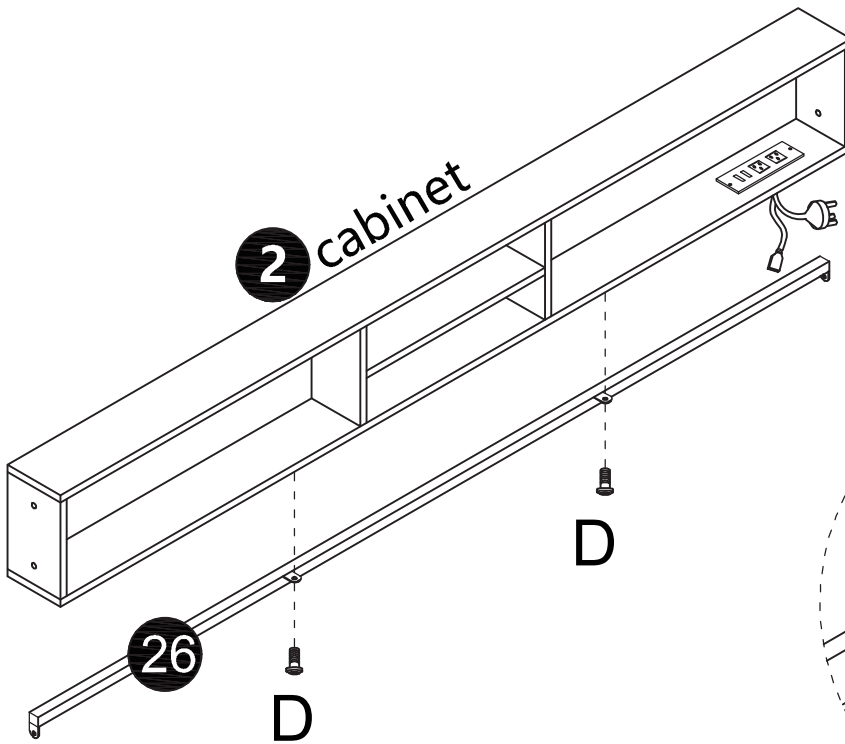


7

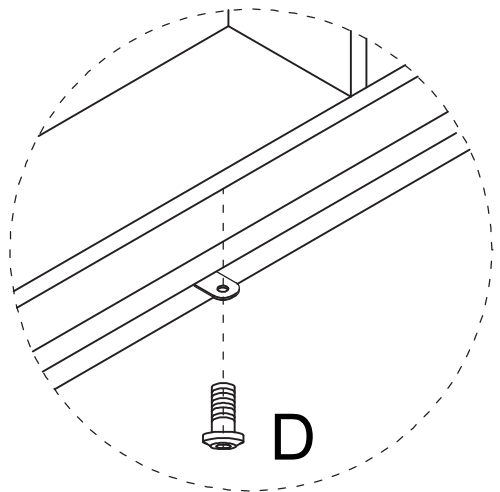


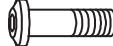
P M5*35
x8

8

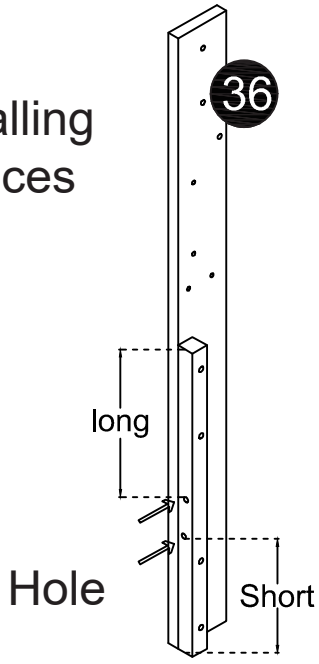


D M6*12
x2

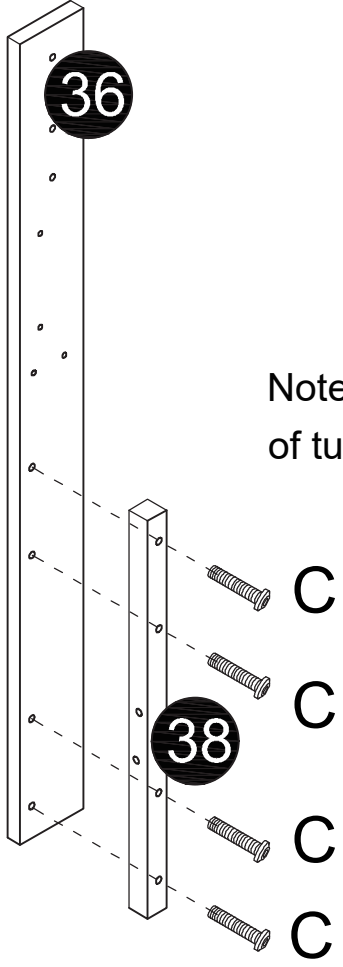
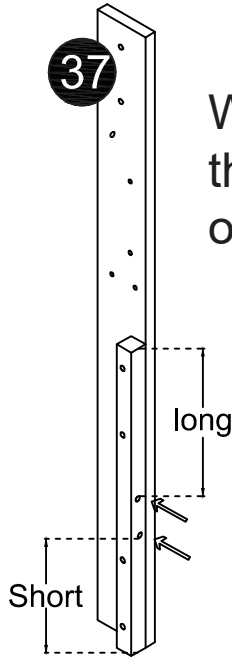


C M8*45
 x8

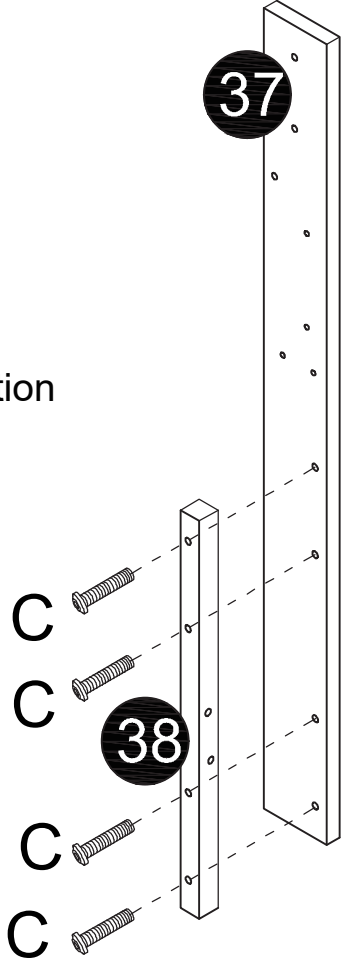
When installing
this hole faces
outward

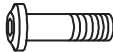
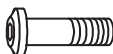



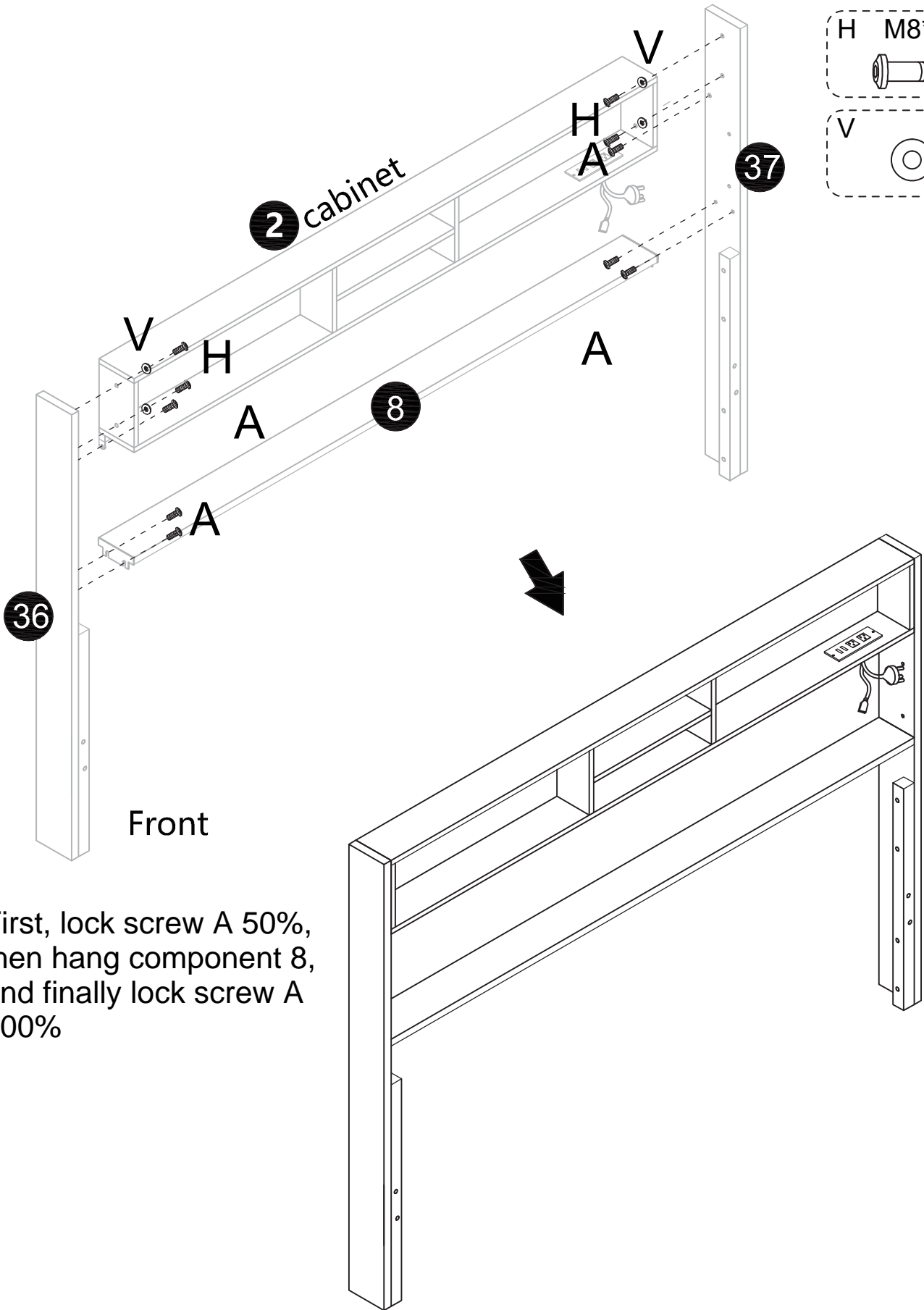
When installing
this hole faces
outward



Note the direction
of tube # 38



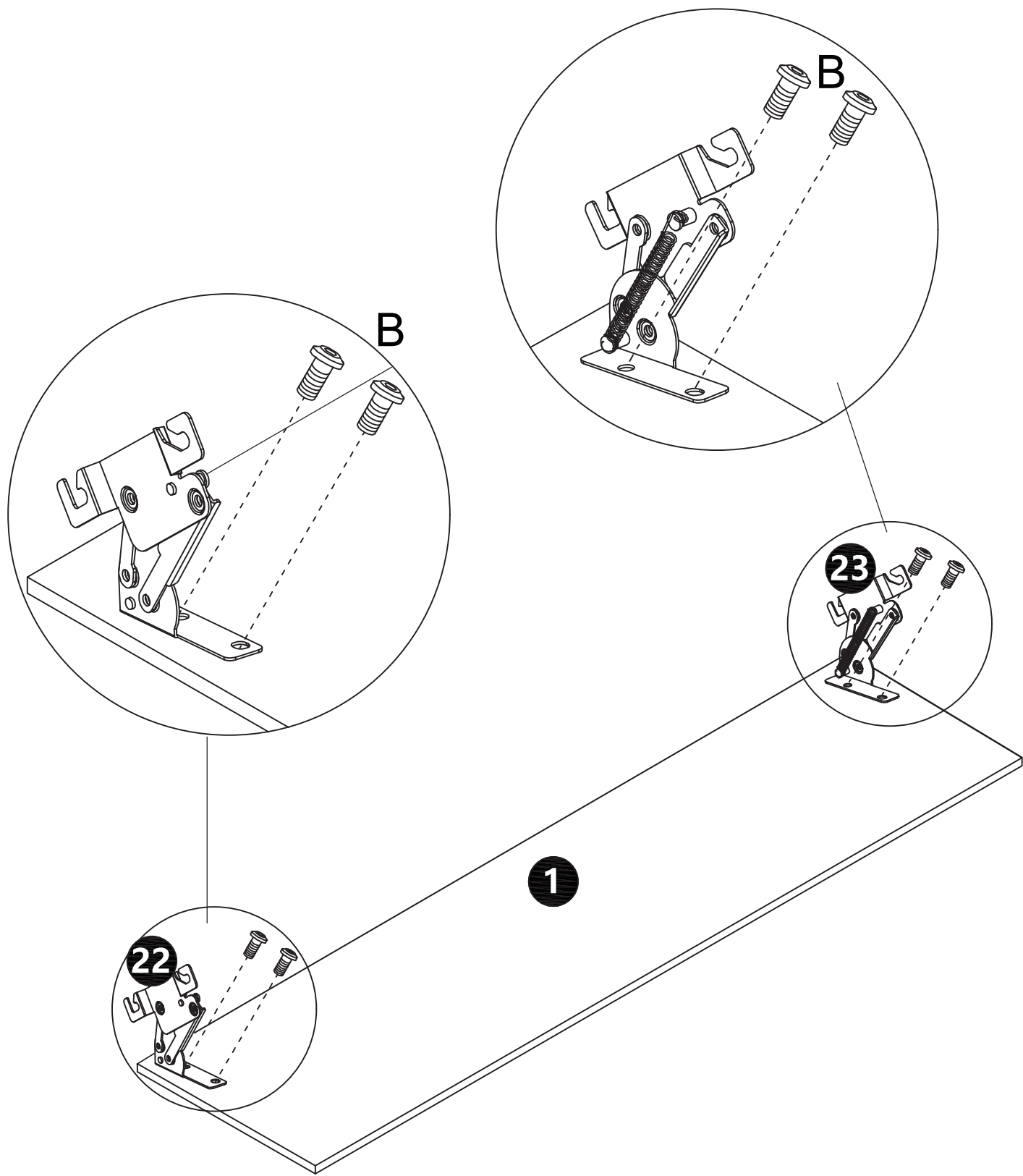
- A M8*20
 x6
- H M8*30
 x4
- V
 x4

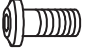


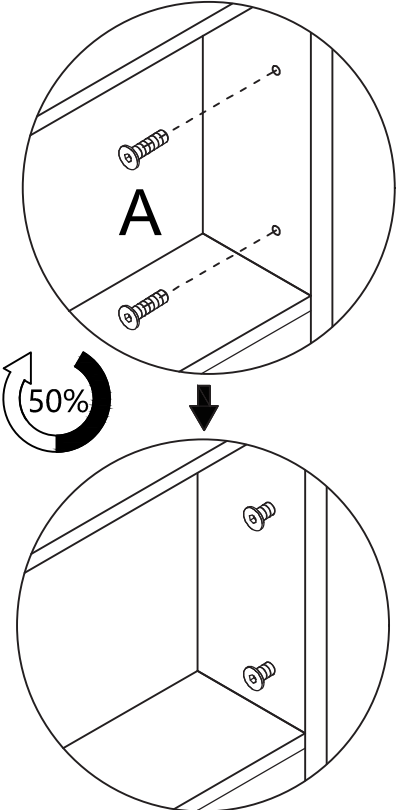
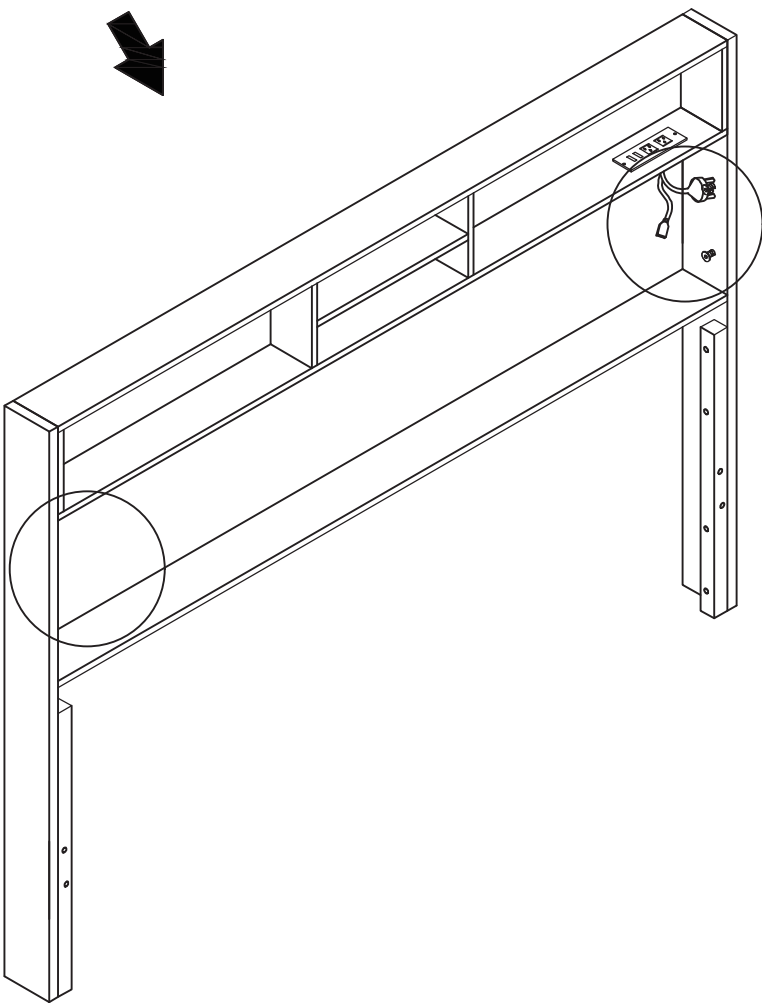
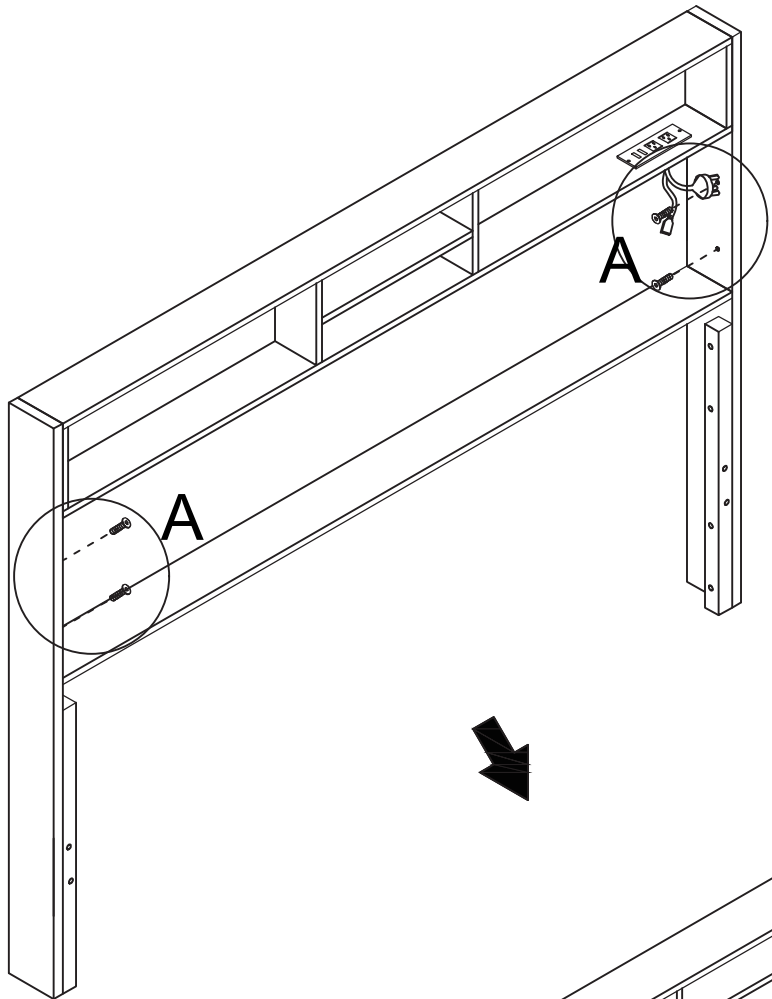
First, lock screw A 50%,
 then hang component 8,
 and finally lock screw A
 100%

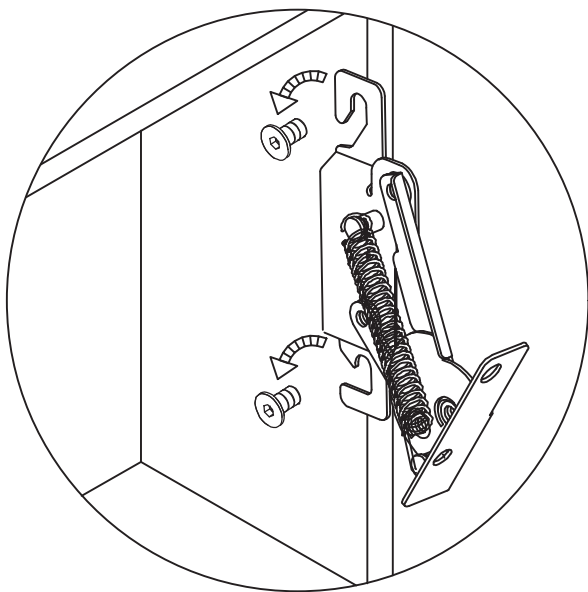
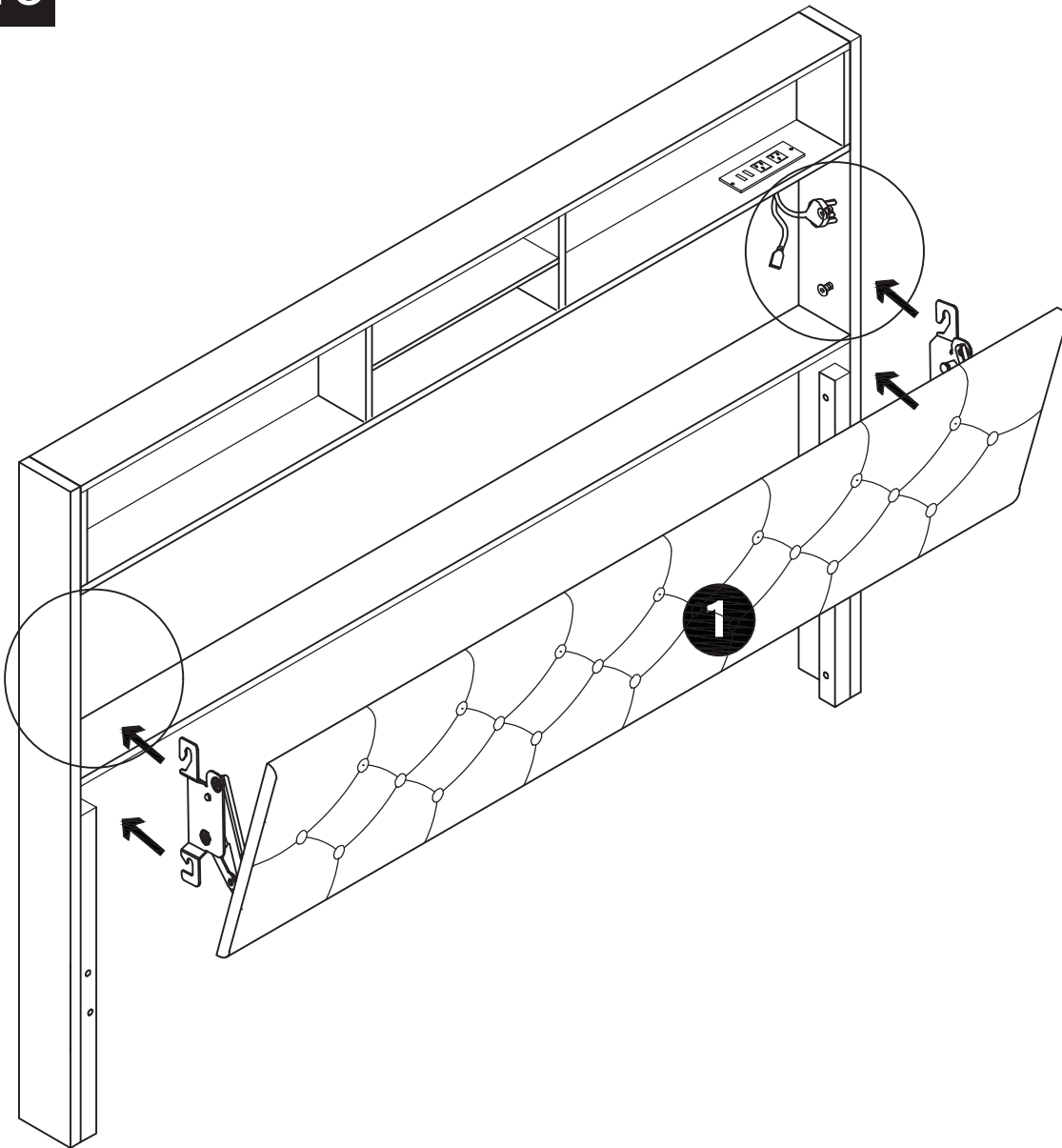
B M8*15

 x4

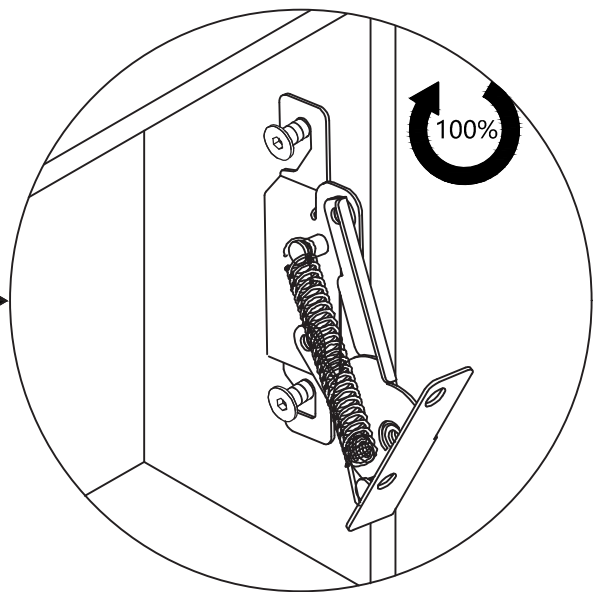


A M8*20
 x4

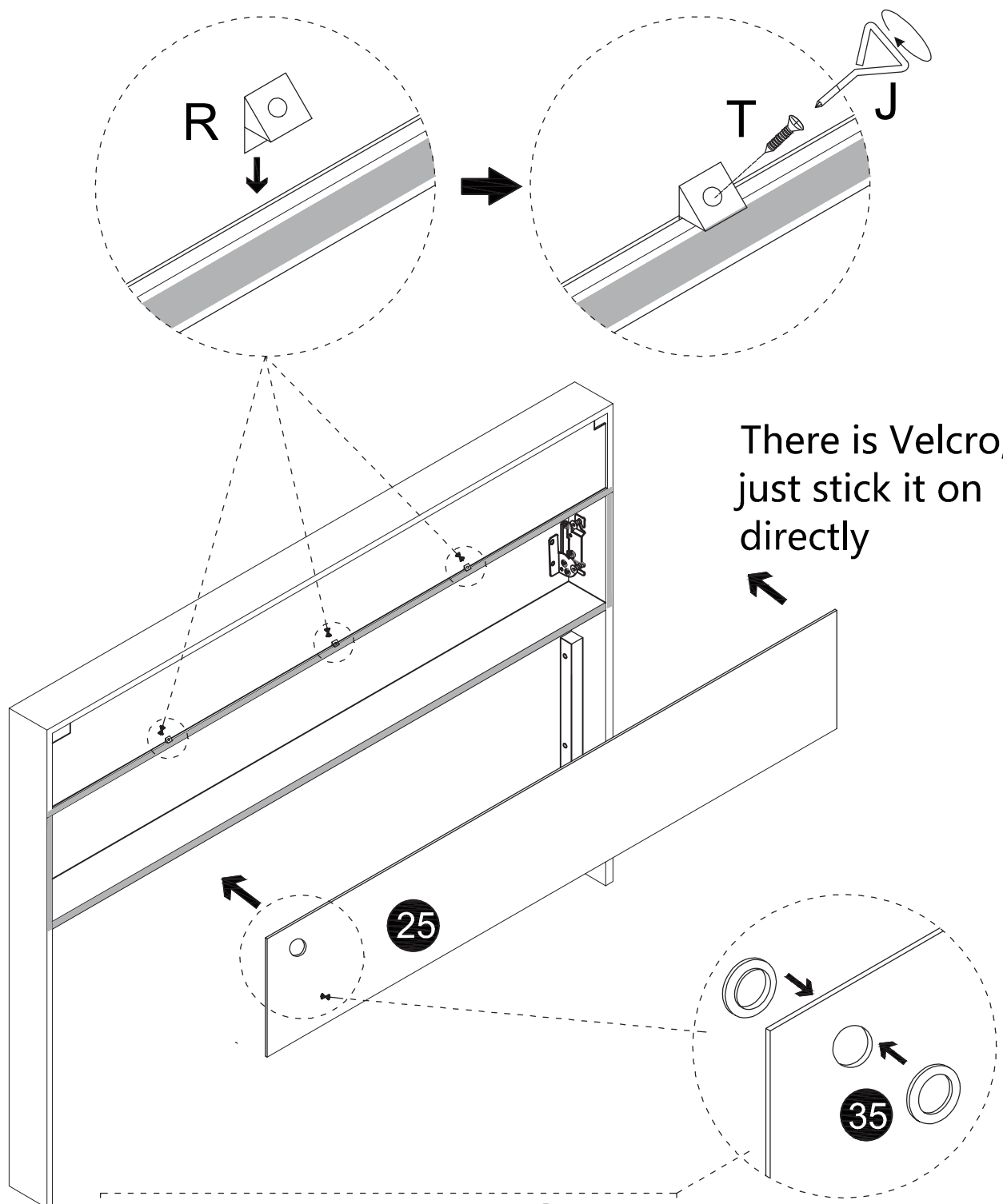
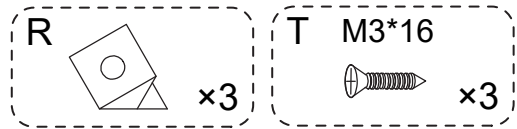




Hang it up first

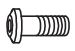


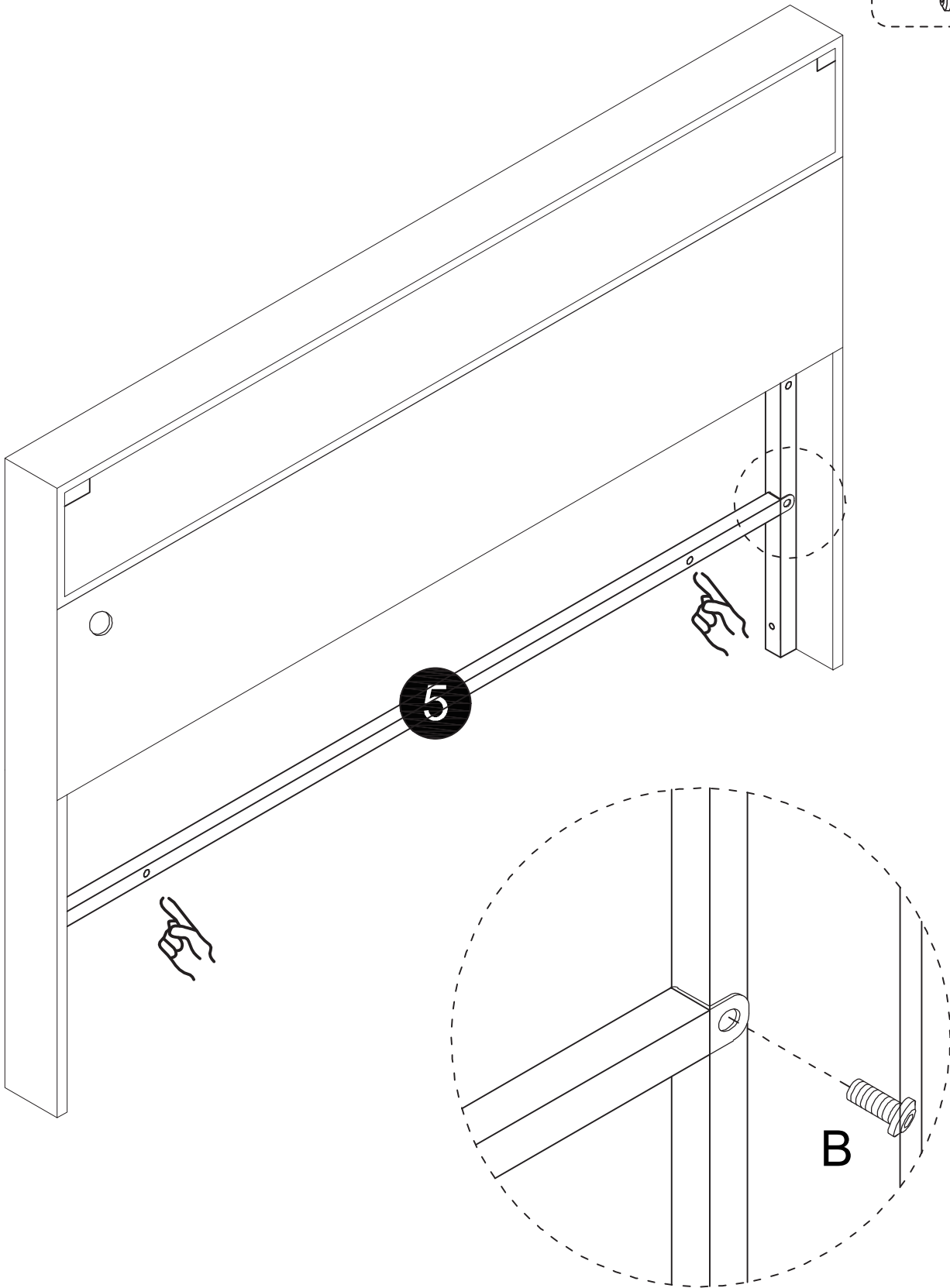
Then tighten it



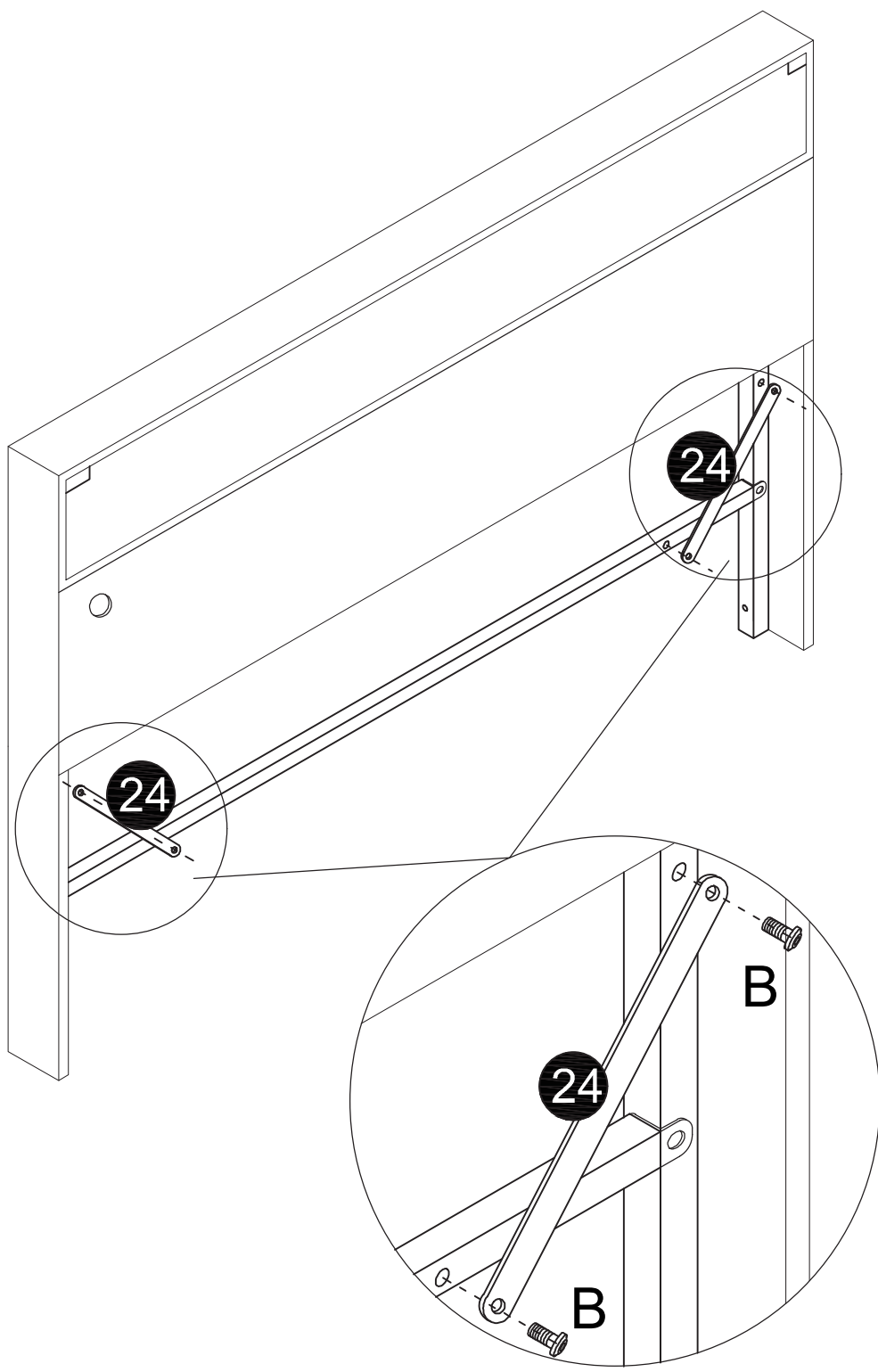
There is Velcro,
just stick it on
directly

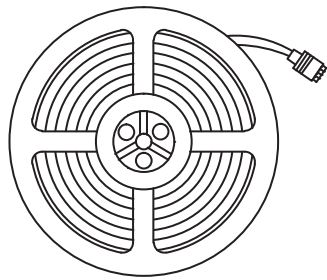
- NO.1 Open accessory(35)
- NO.2 Place them separately on the front and back of the (25) hole and press them tightly

B M8*15
 x2



B M8*15
 x4

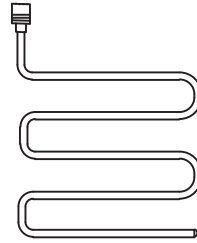




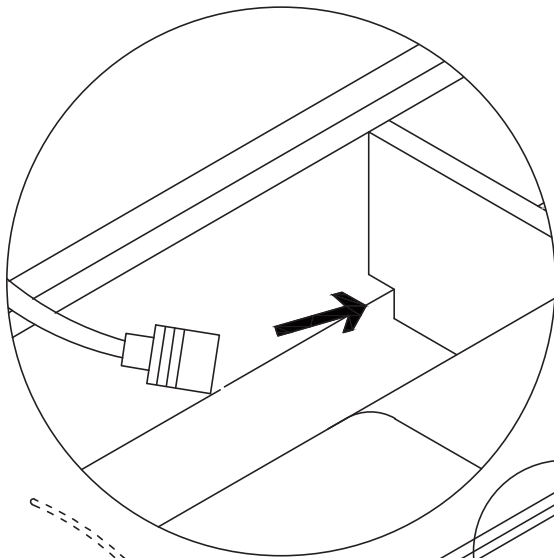
light bar



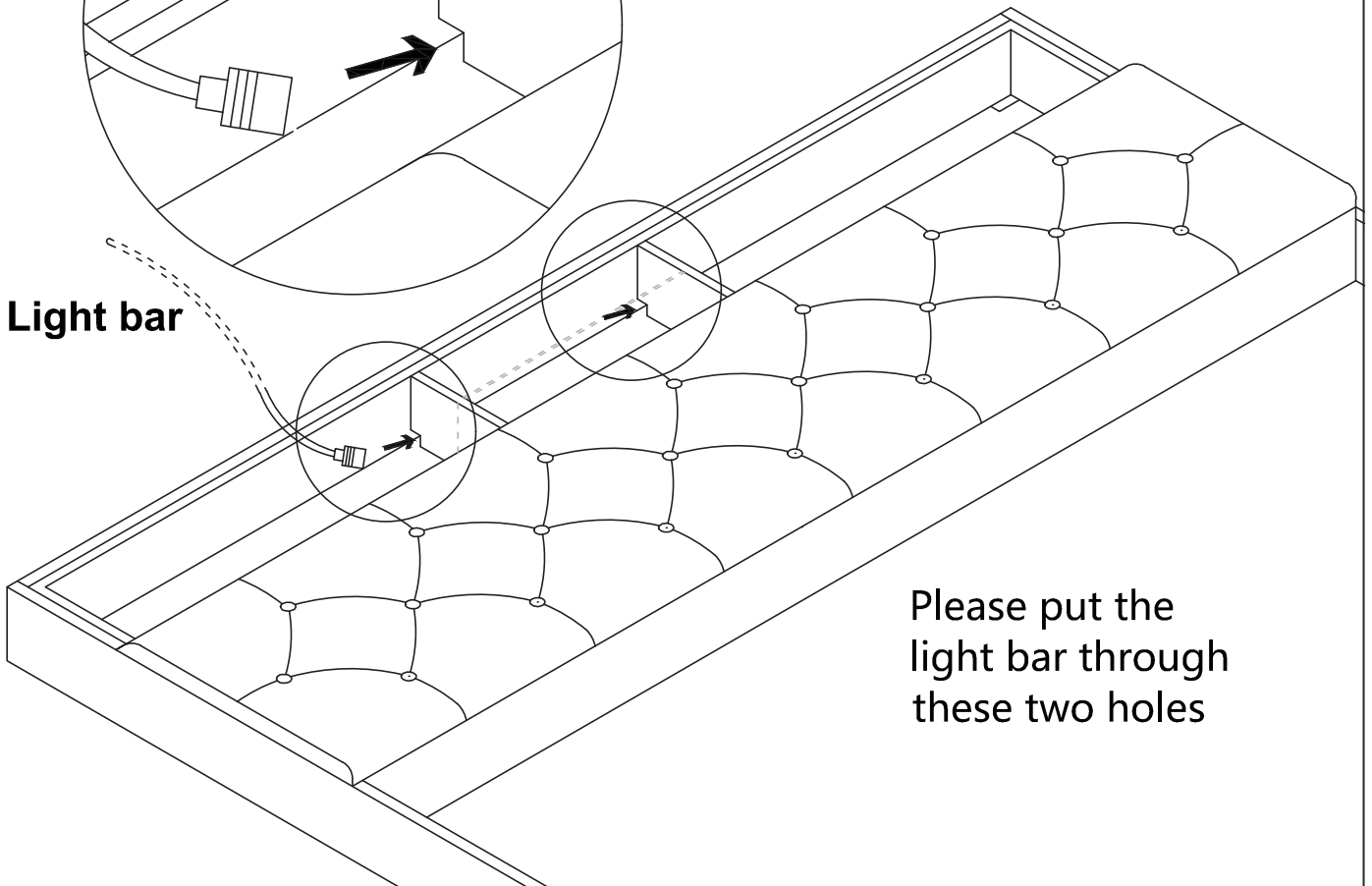
Pull out
and unfold



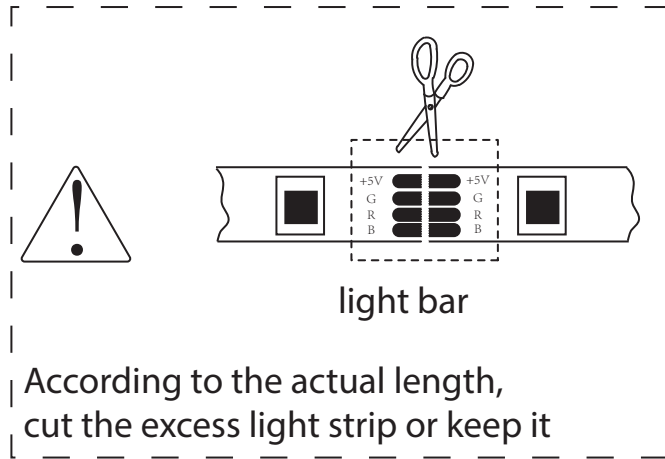
light bar



Light bar

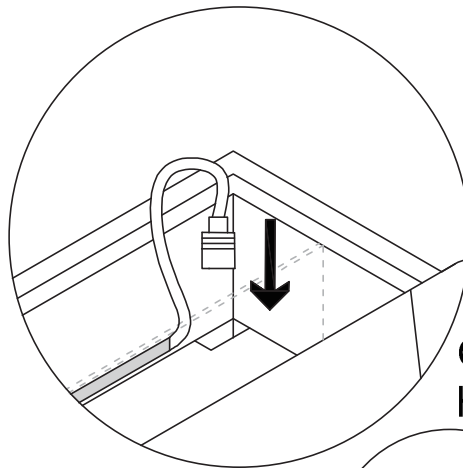


Please put the
light bar through
these two holes

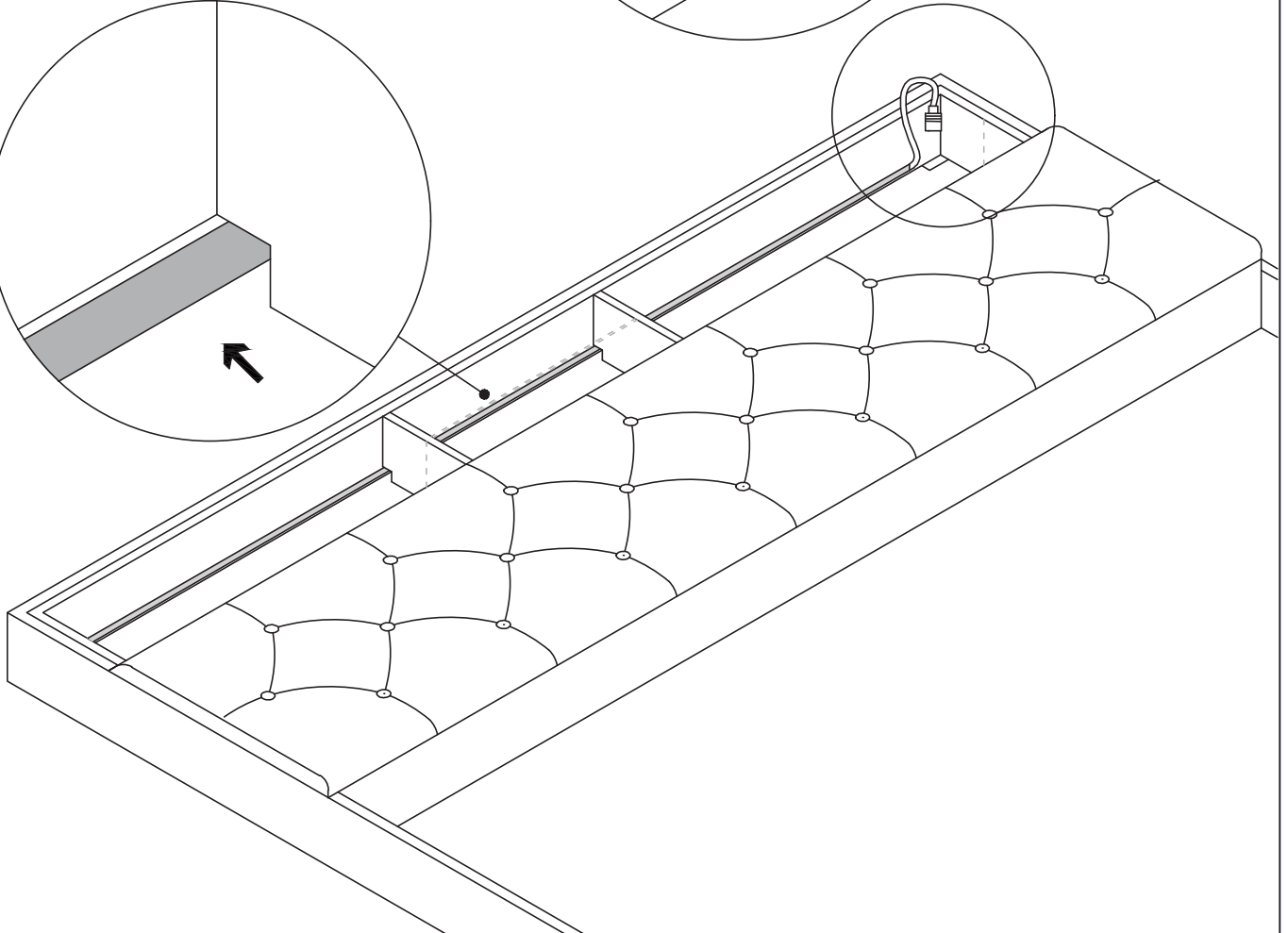
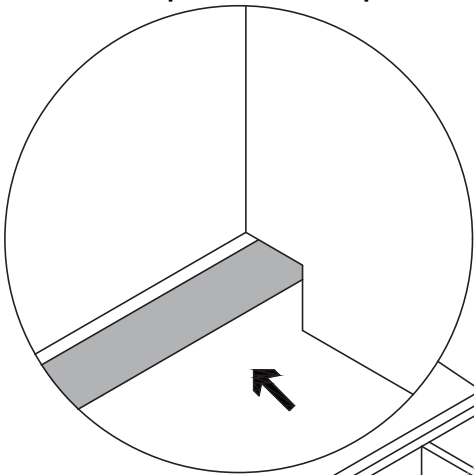


One side of the light bar is sticky and the other side is luminous band. Please distinguish it carefully.

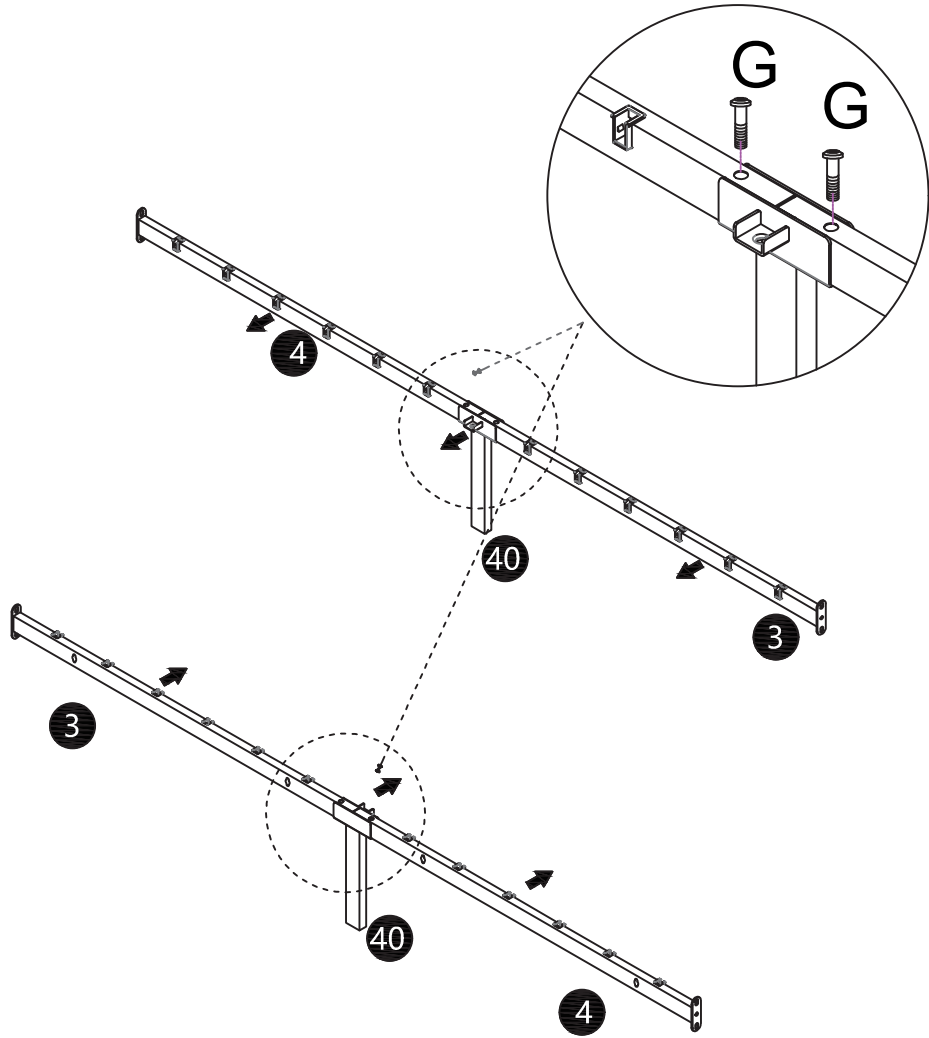
Tear off the anti sticking strip of the light strip. Stick the lamp to the top



Go through the hole to the back

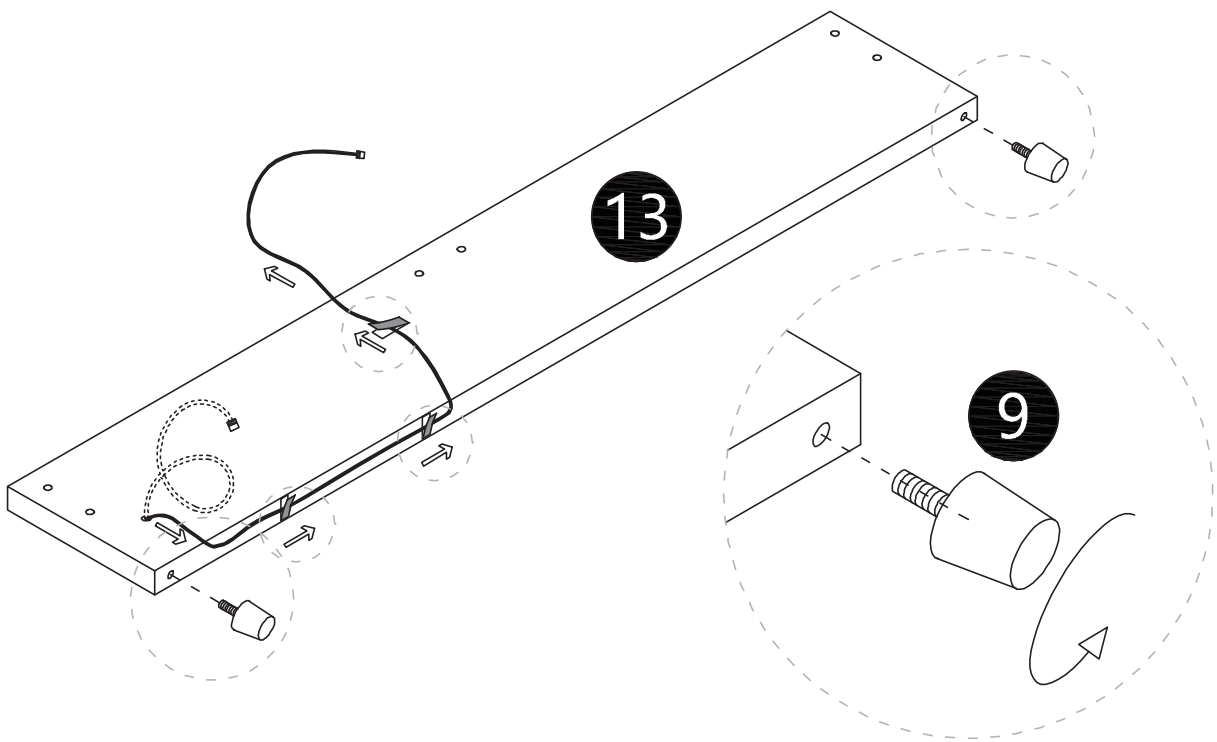


19



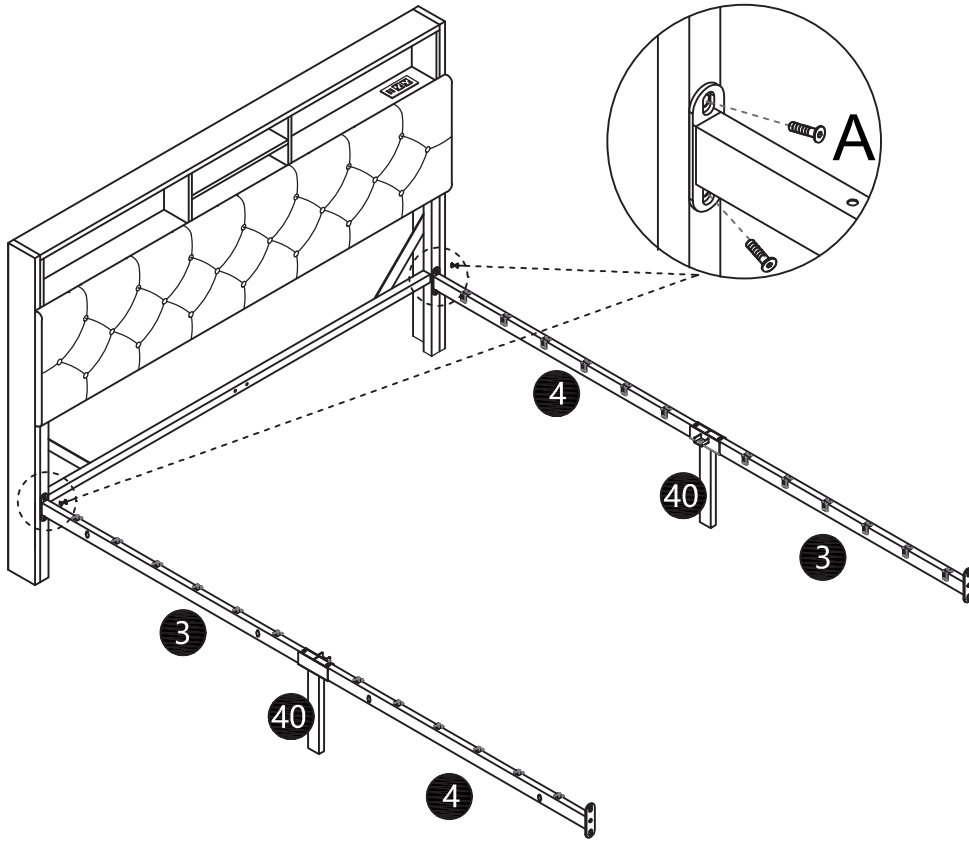
G M8*48
×4

20



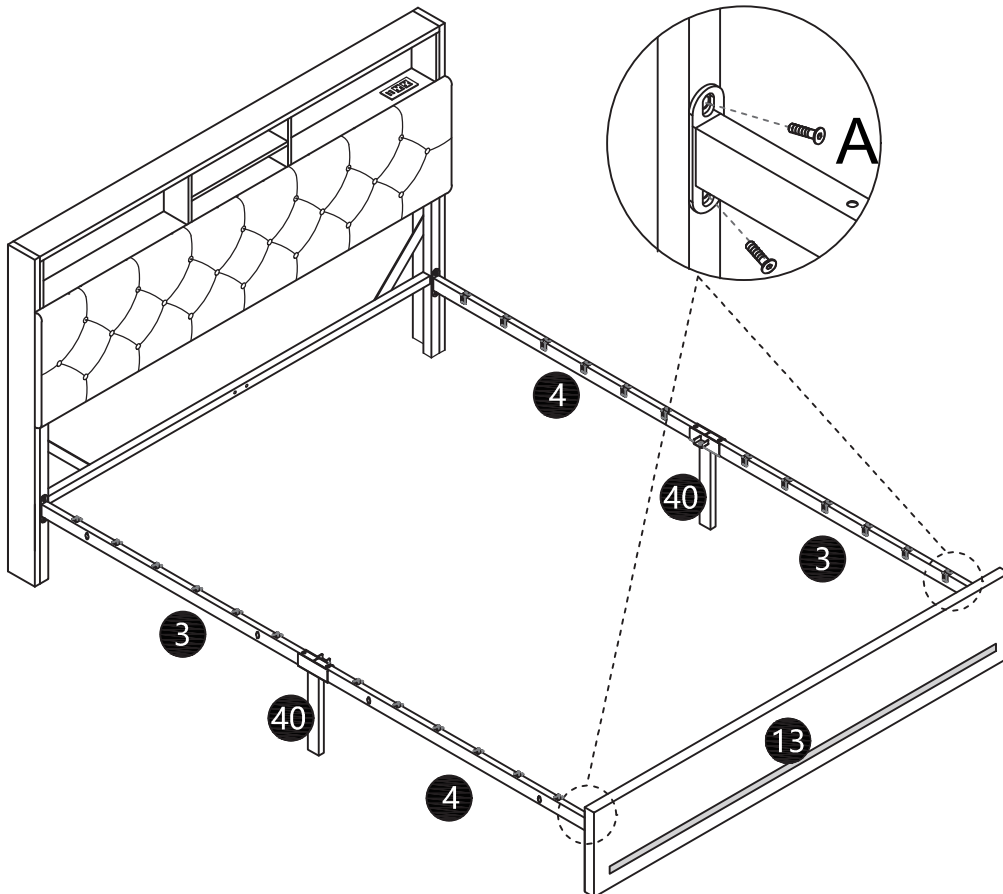
21

A M8*20
×4

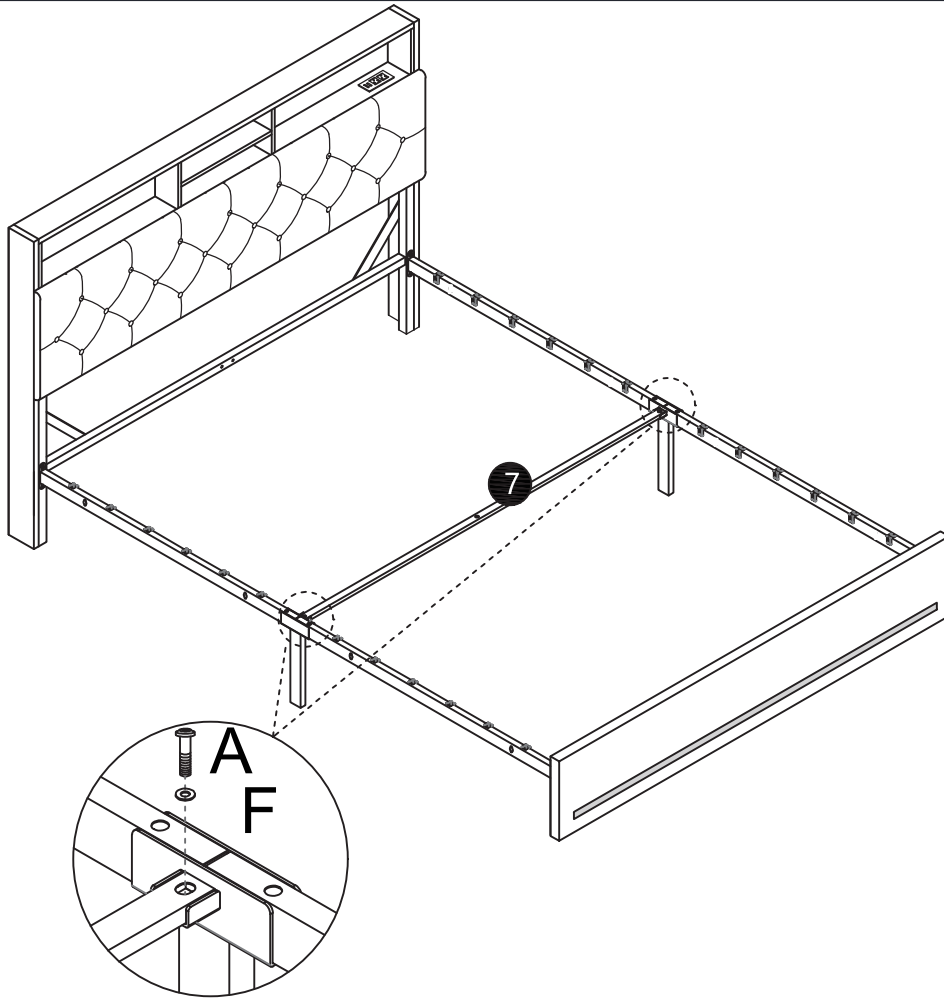


22

A M8*20
×4



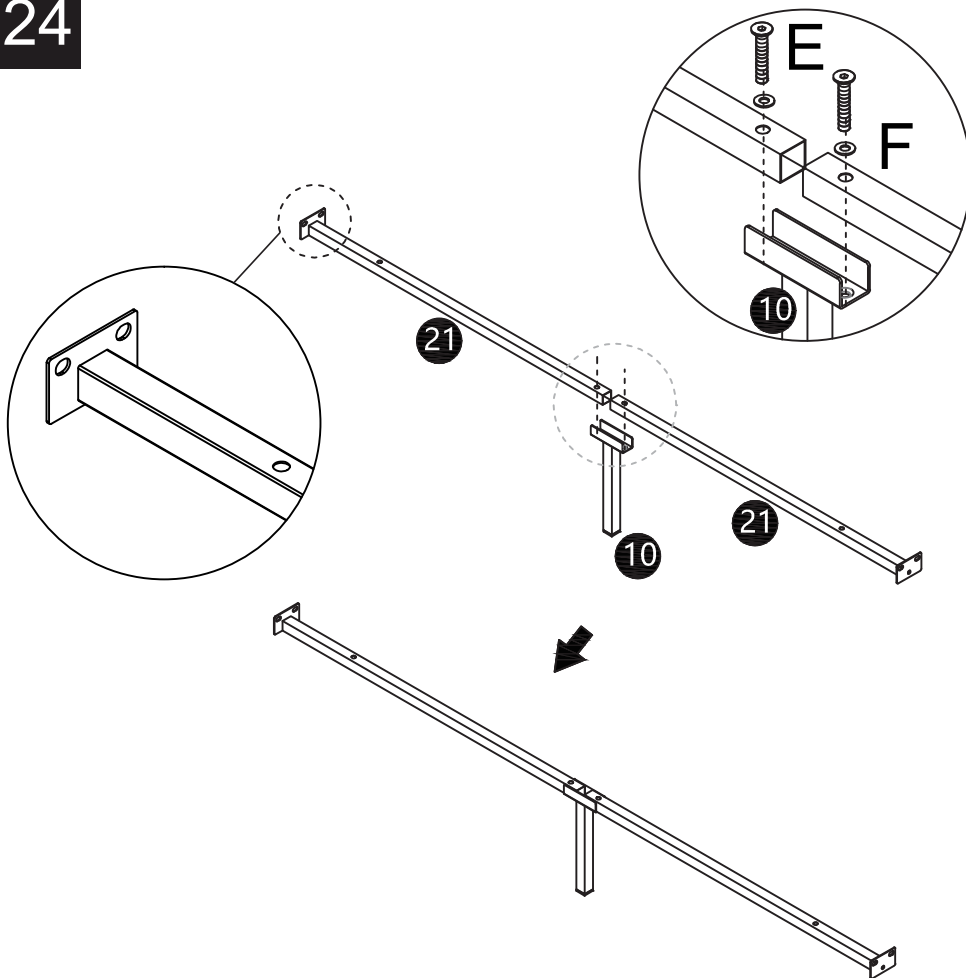
23



A M8*20
×2

F
×2

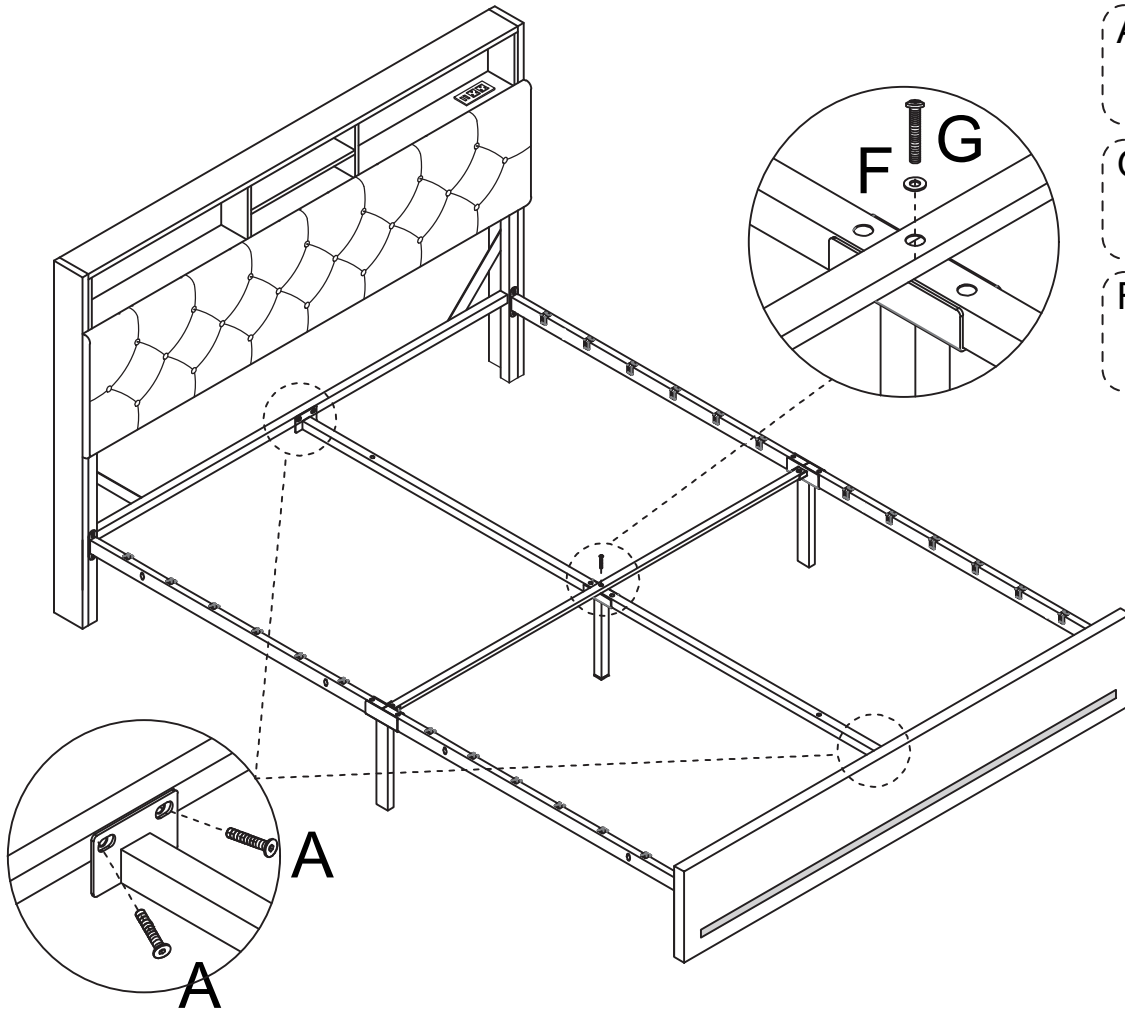
24

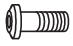


E M8*35
×2


F
×2

25

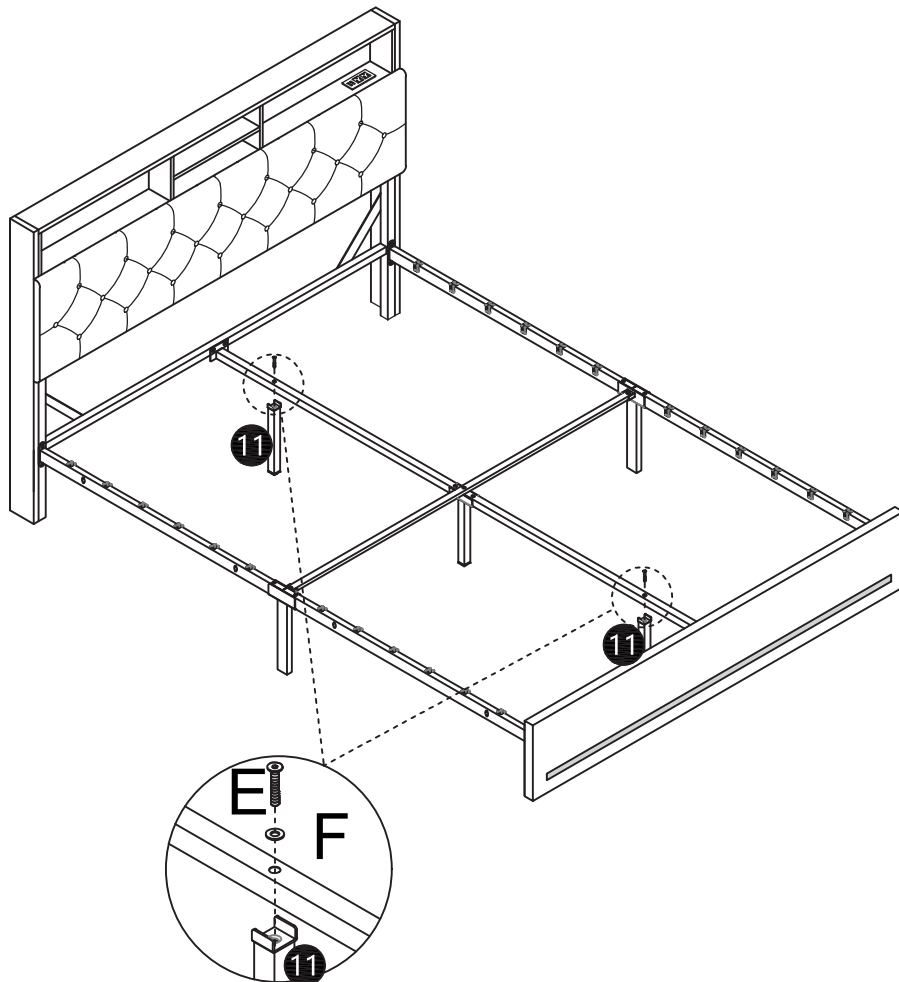


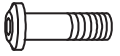
A M8*20
 x4


G M8*48
 x1

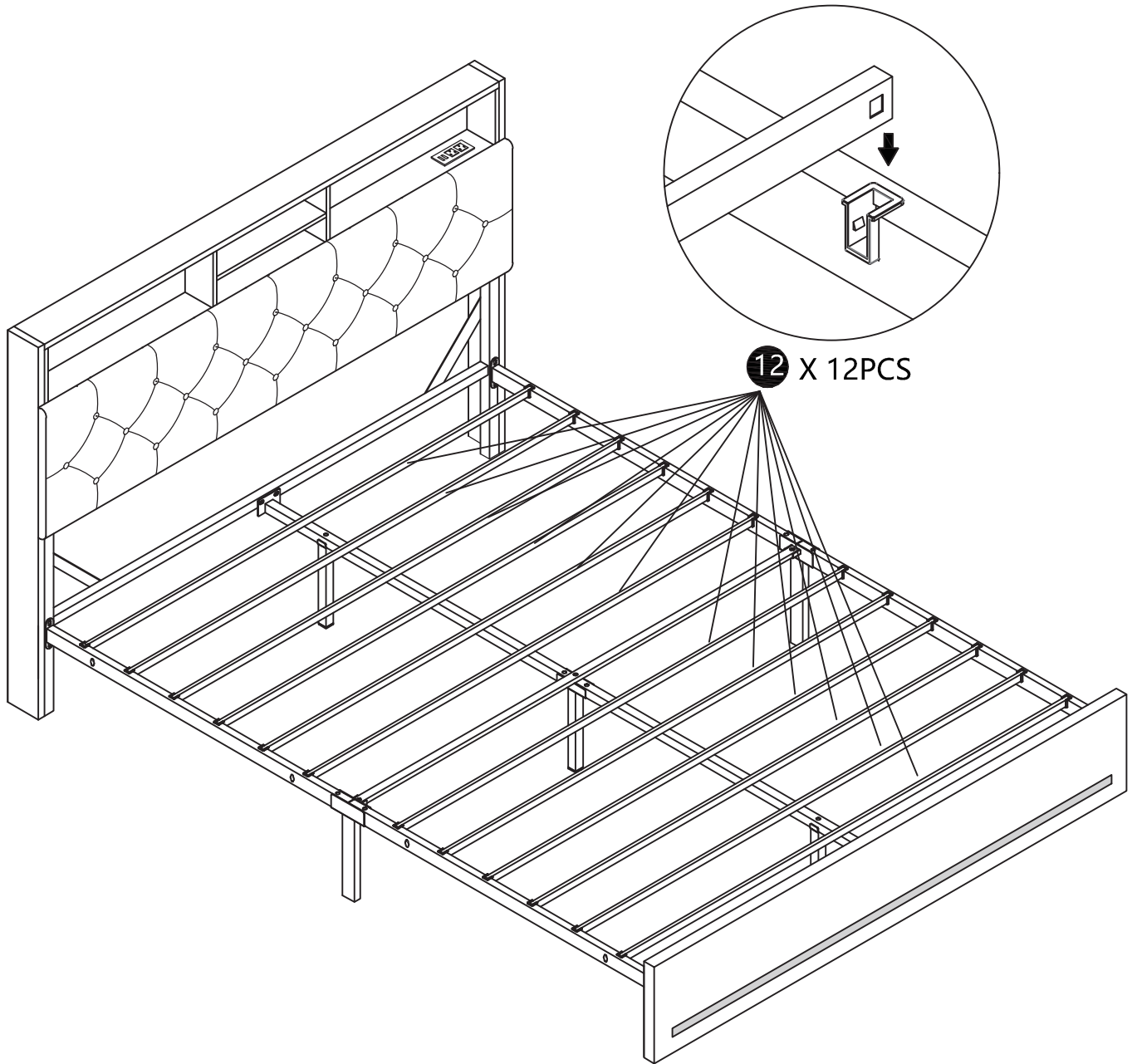
F
 x1

26



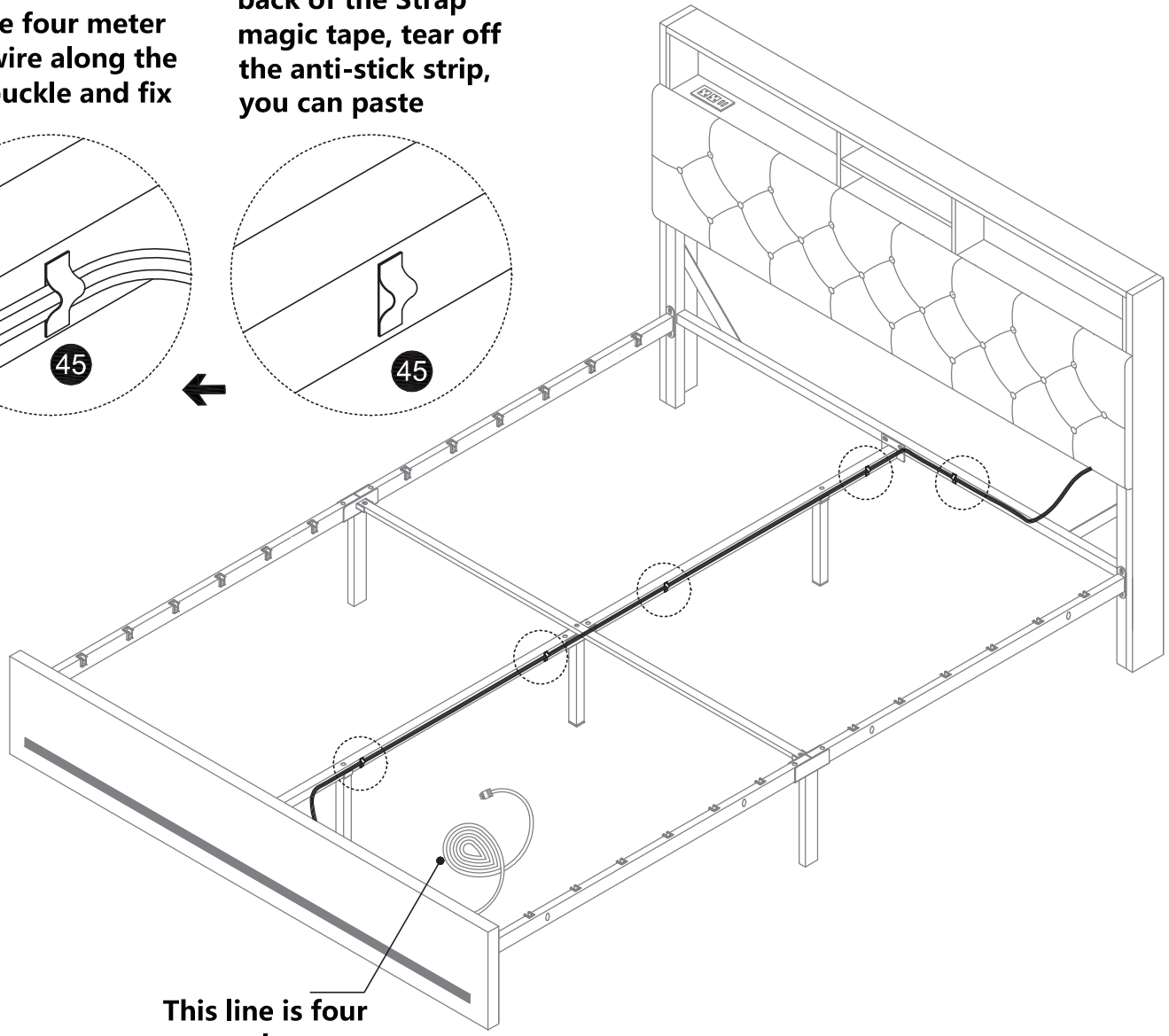
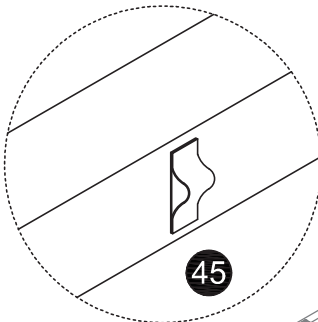
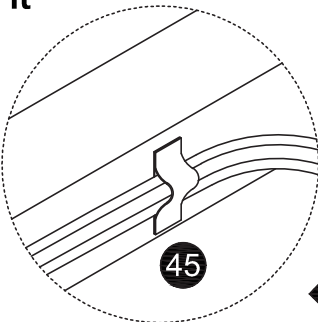
E M8*35
 x2

F
 x2

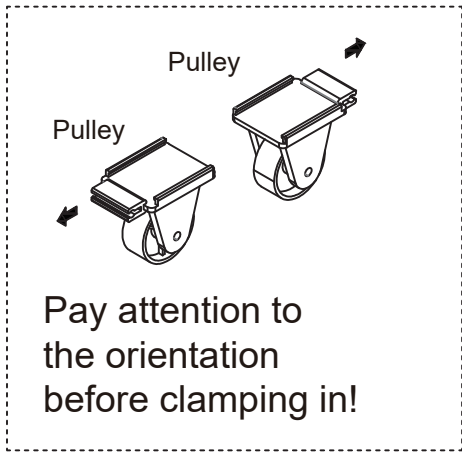


Put the four meter long wire along the wire buckle and fix it

There is glue on the back of the Strap magic tape, tear off the anti-stick strip, you can paste



This line is four meters long

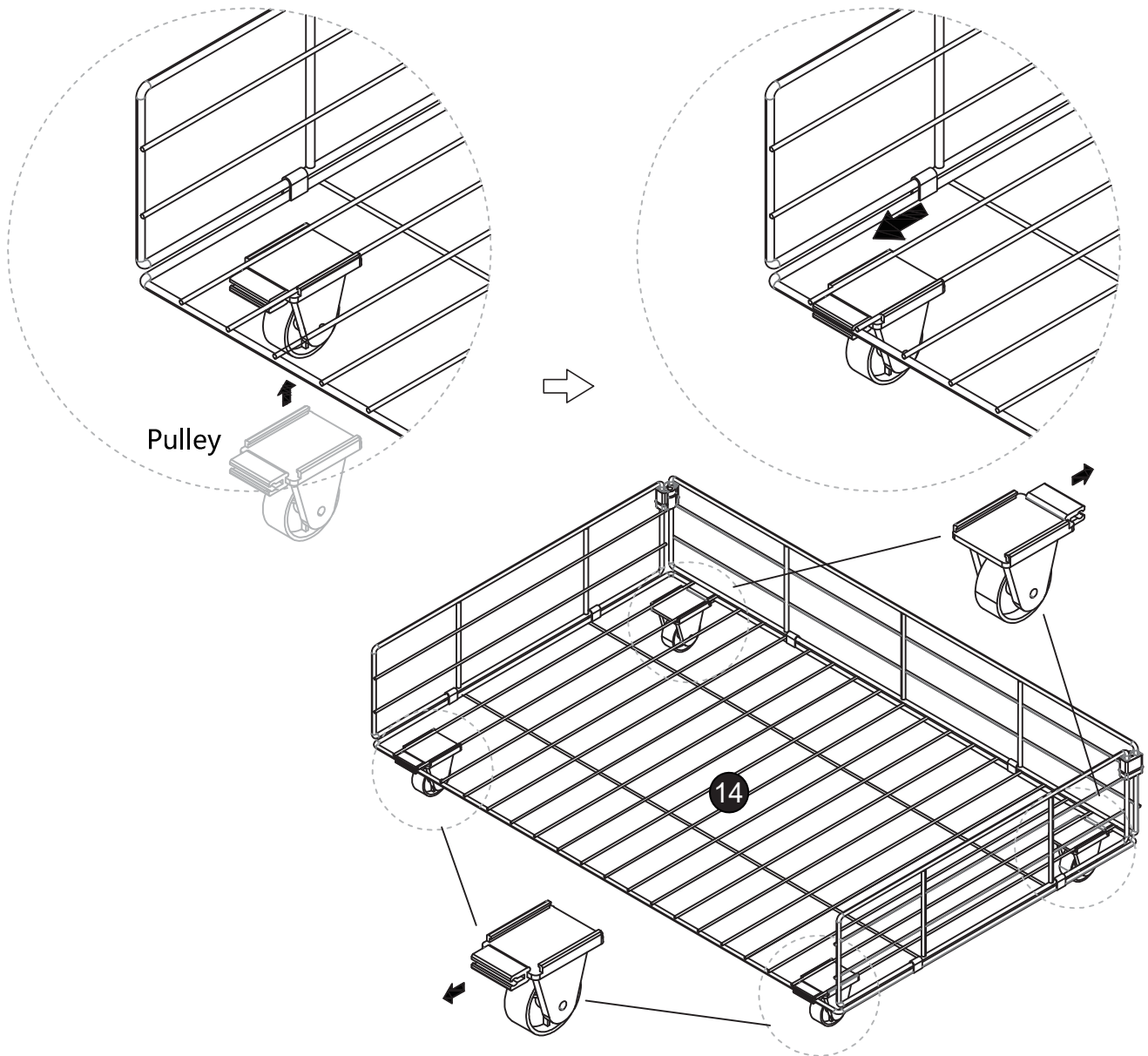


Please note that this drawer base (14) has front and back sides! please see the instructions clearly before assembling!!!

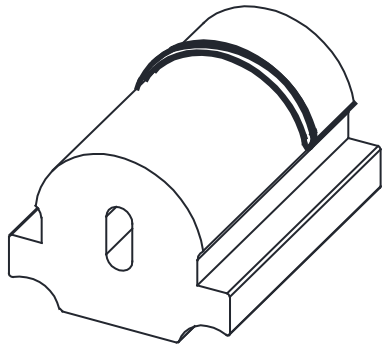


As shown in the figure Clip the pulley into position first

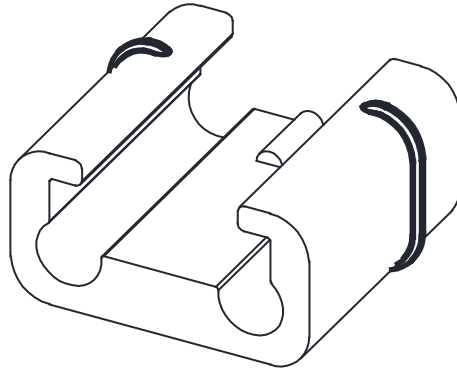
Then push the pulley to the side At the same time, clamp the iron wire at the edge. It takes a little strength



30



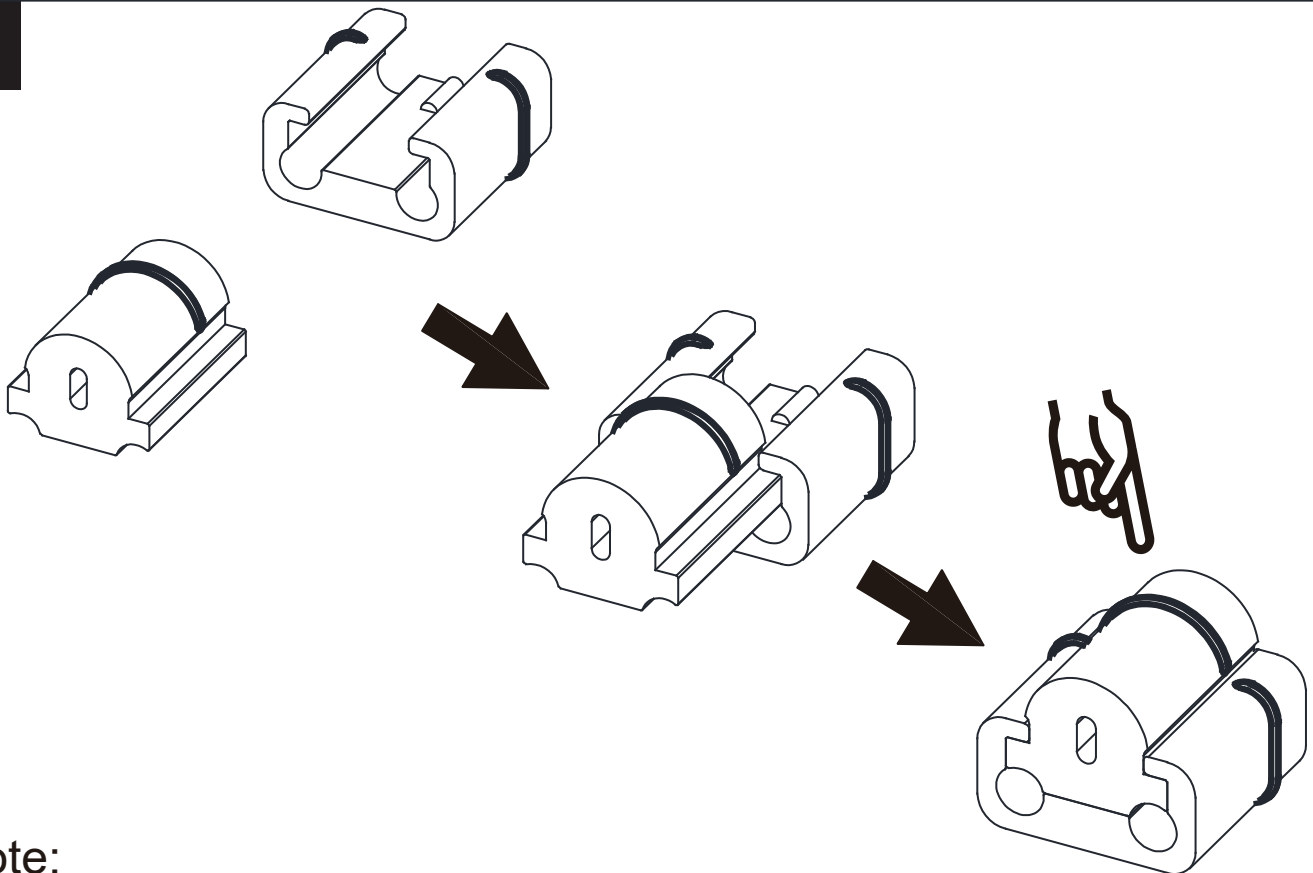
plastic buckle(A)



plastic buckle(B)

Note that when you do this correctly,
the darker colored lines on A and B should
be facing the same direction

31



Note:

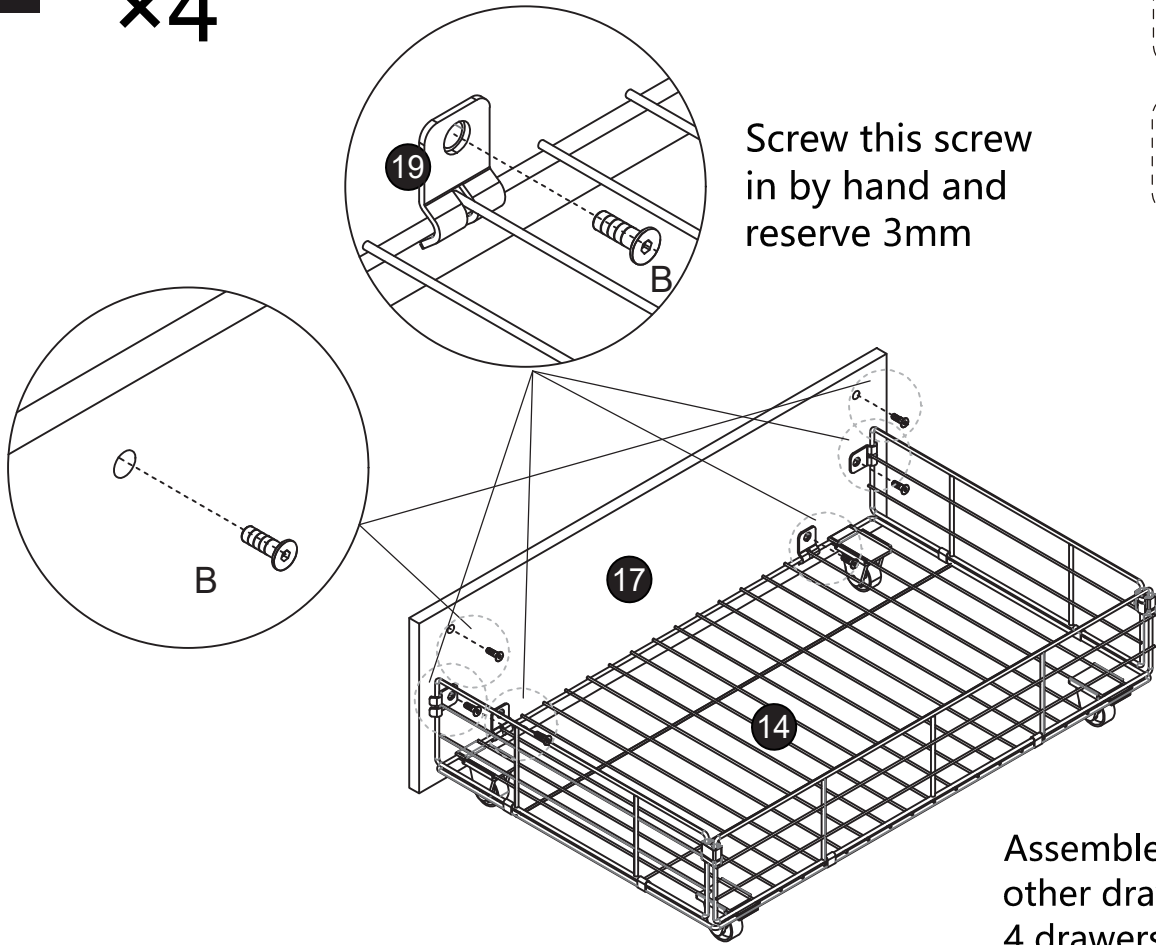
This step is just to let you know how to put A and B together
You may need this in the next steps on

32

×4

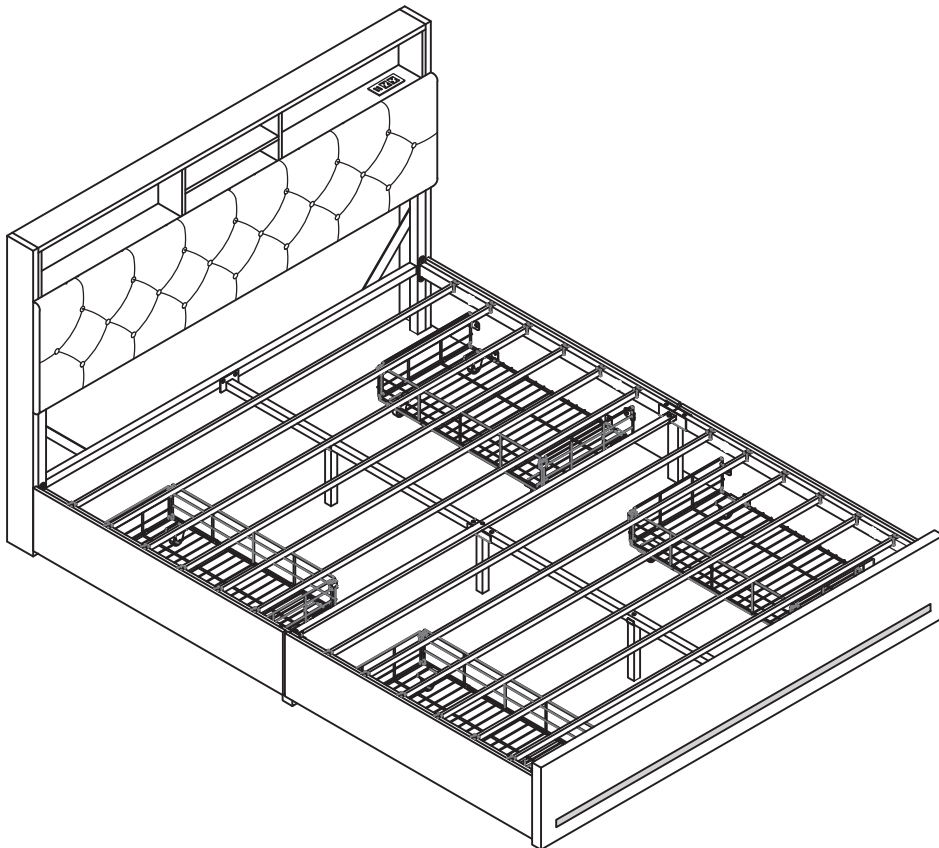
B M8×15
×24

19
×16

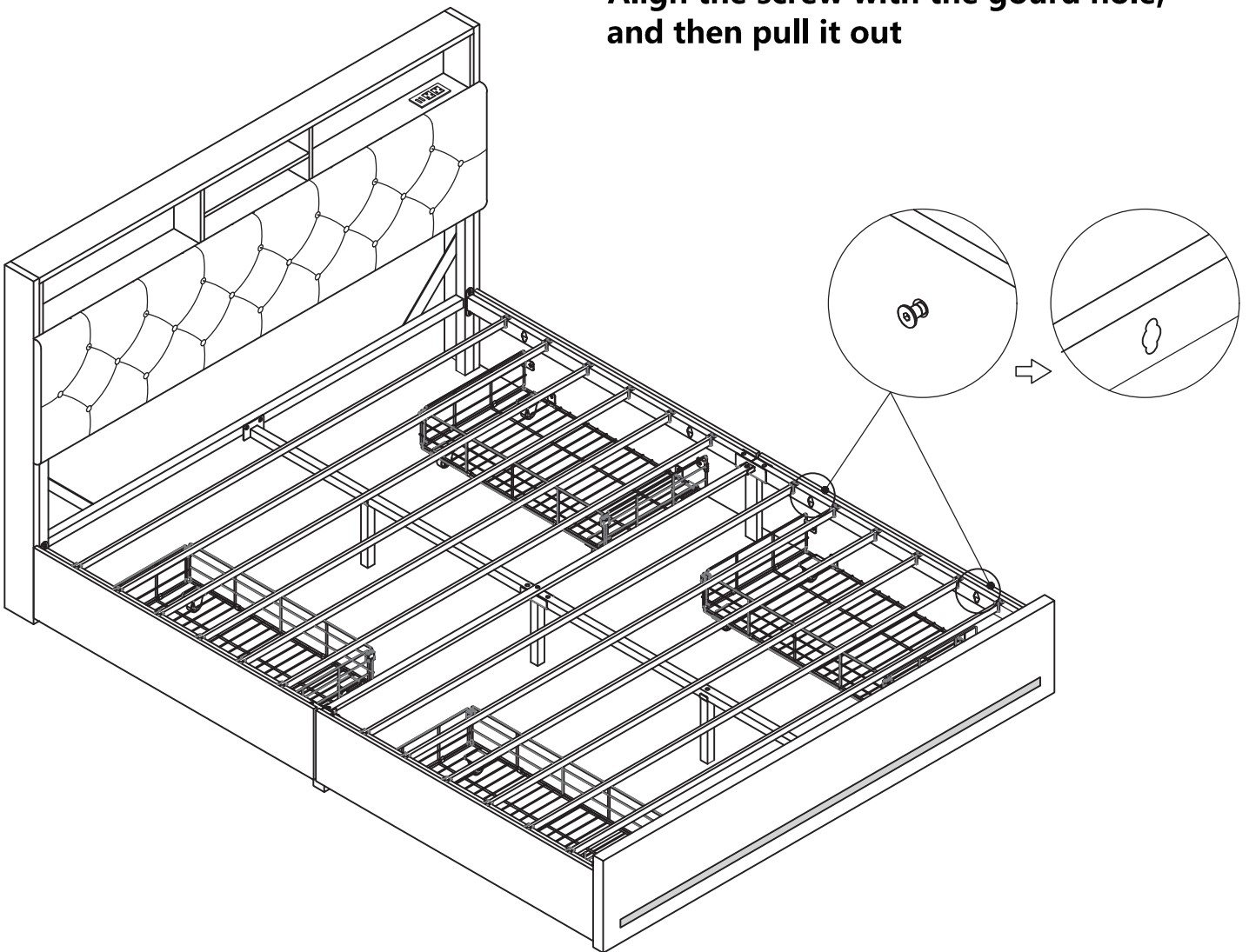


Assemble the three other drawer in this way. 4 drawers in total.

33



**When pushing into the drawer, Lift the drawer gently,
Align the screw with the gourd hole and push in
When pulling out the drawer, Lift the drawer gently,
Align the screw with the gourd hole, and then pull it out**



1. From the inside of the foot to the back, the magic band is tied all the way. Please tie the wires with magic tape

2. also provided adhesive Velcro stickers, but they cannot be used on the cloth surface. Can be used behind the bedside cabinet

