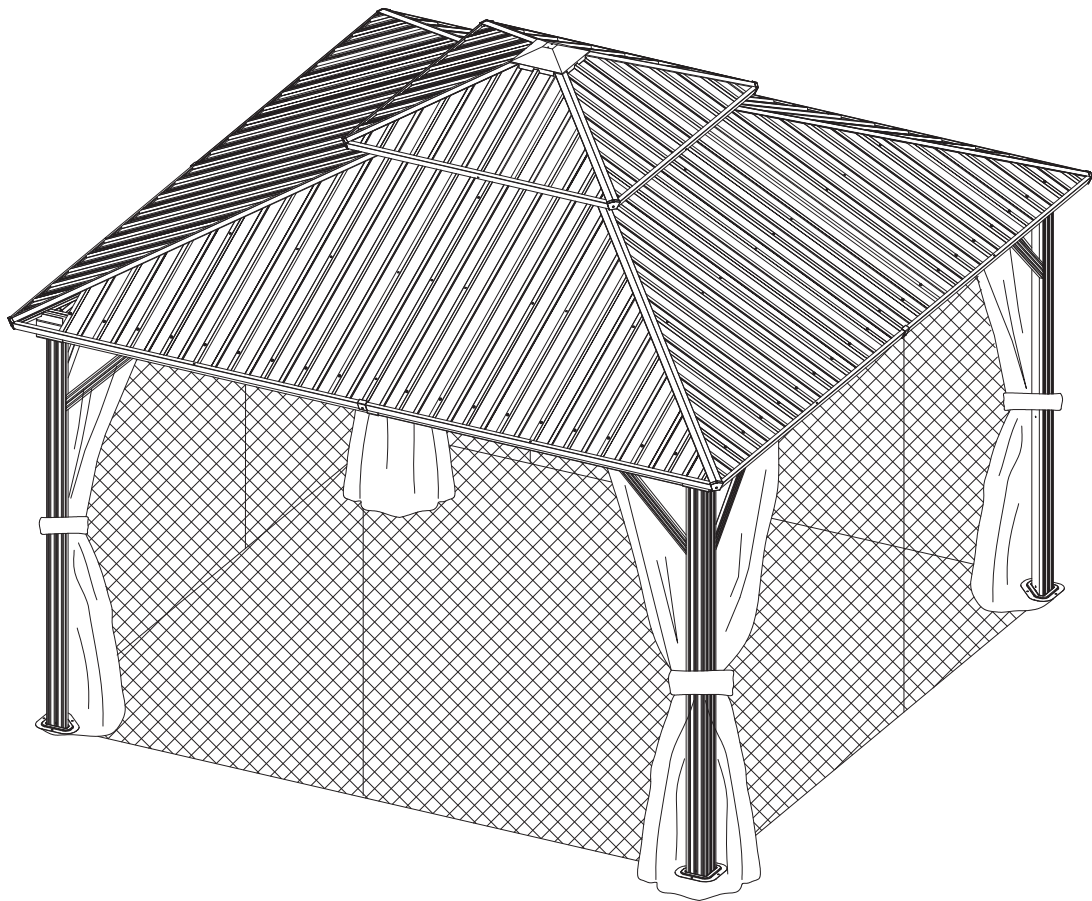




# 12' × 12' Metal Patio Gazebo

## **ASSEMBLY MANUAL**



**MODEL#:LGMF1588**

Missing part? Damaged? Contact us via email at  
[domiservice01@outlook.com](mailto:domiservice01@outlook.com)

# Pre-assembly



1. Two or more people are required for assembly.



2. You will need one or more stepladders.



3. Wearing protective gloves is recommended.



4. You may need a safety hat.



5. Please use a Phillips screw driver.



6. For ease of construction, you may need a drill.



7. You may need a safety goggle.



8. Do not fully tighten screws prior to complete assembly.

## Warning & Attention

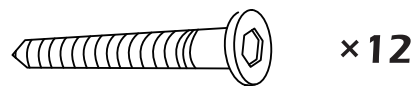
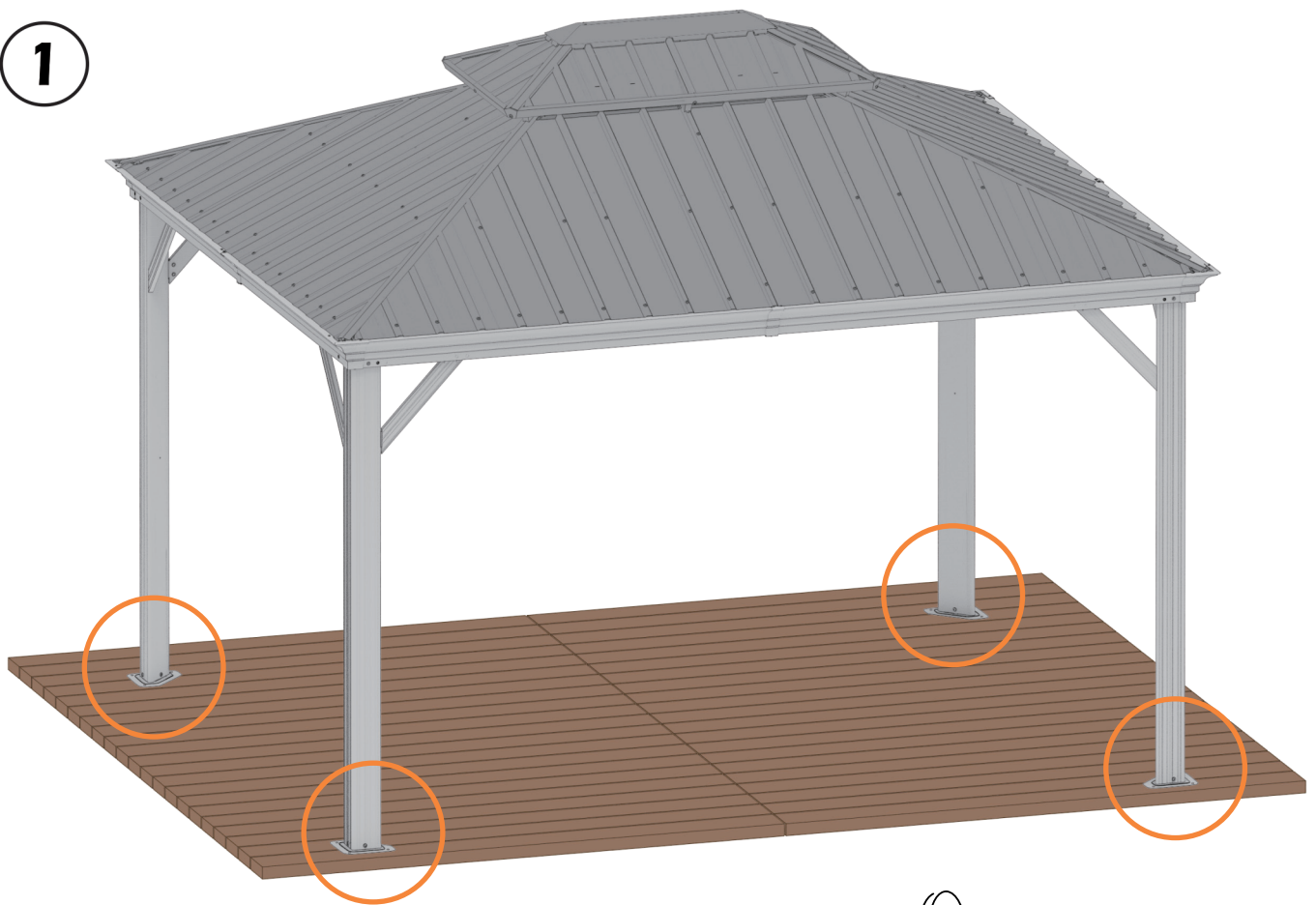
-Try to assemble this product on the flat ground, otherwise it is difficult to carry out;

-It would be much easier to assemble the product with three or more people;

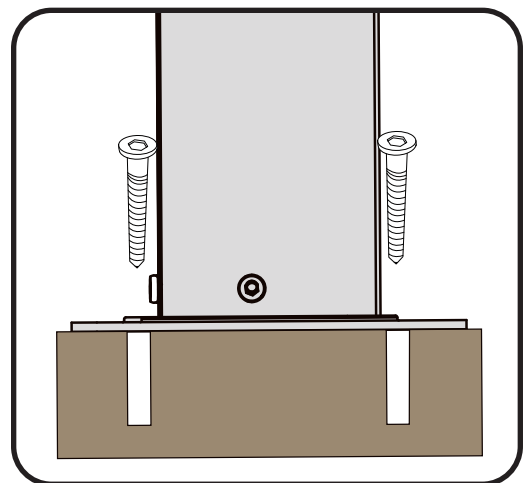
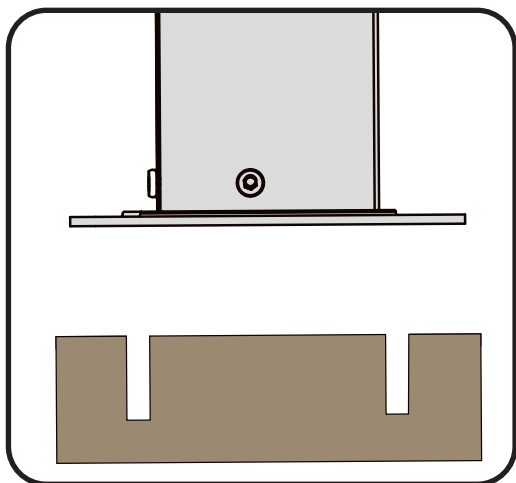
-After assembly, please check whether all screws are tightened, to prevent parts from falling apart.

▲ Use bolts to secure the frame to the ground to against the strong wind.

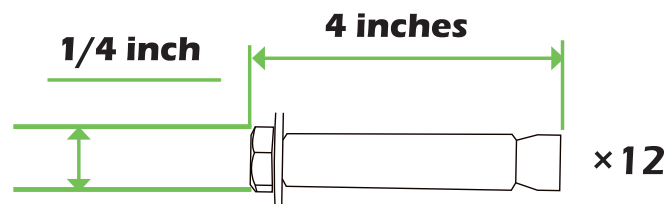
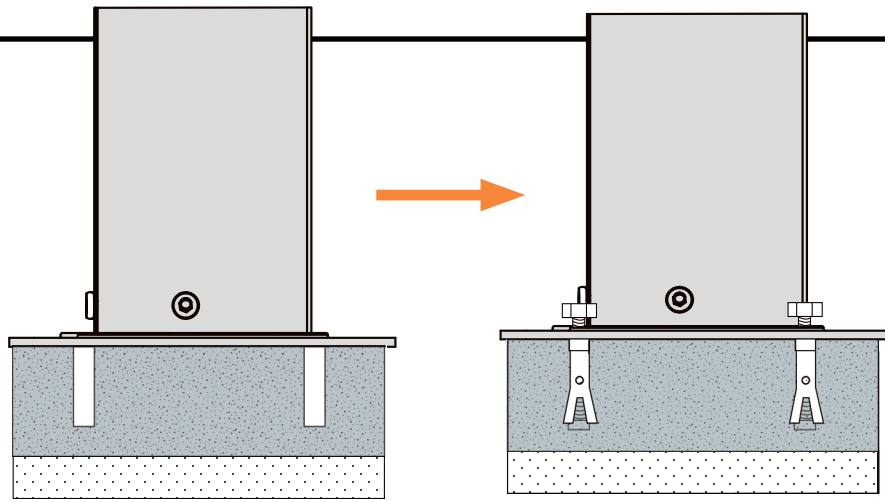
1



If the deck is hard wood and the depth of it is over 3 inch, you can use **5/16 in. x4 in. Structural Wood Screw** to mount the gazebo.

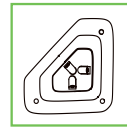
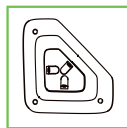
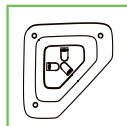


2



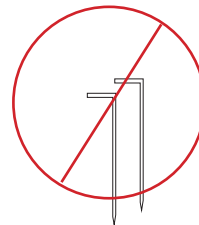
If the ground is concreted and the depth of it is over 3 inch, you can use 1/4 inch expansion bolts to mount the gazebo

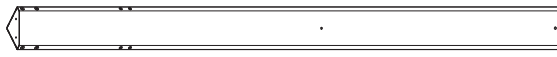
3



Or you can make a concrete footing for gazebo, **15×15×15 inches** is recommended. use expansion bolts to mount the pergola like ② shows.

**IMPORTANT:**  
Anchor is not recommended





A 4x Pole



C 4x Beam



C1 4x Beam



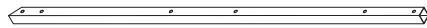
E 4x Corner Roof Bar



E1 4x Corner Roof Bar Connector



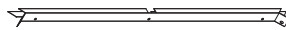
E2 4x Roof Bar



F 8x Solidifying Bar



H 4x Finishing Bar



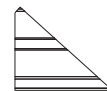
J 4x Finishing Bar



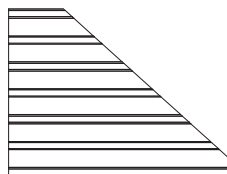
K 4x Finishing Bar



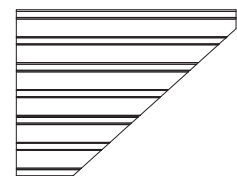
K1 4x Finishing Ba



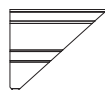
L1 4x Roof Panel



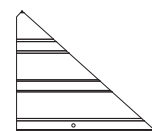
L2 4x Roof Panel



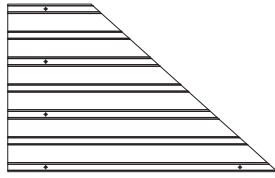
L3 4x Roof Panel



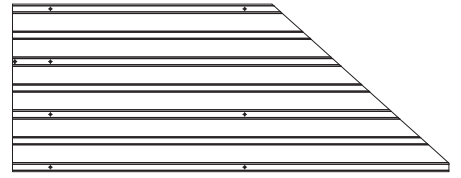
L4 4x Roof Panel



M1 4x Roof Panel



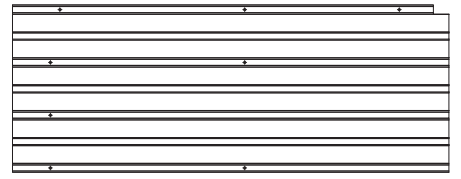
(M2) 4x Roof Panel



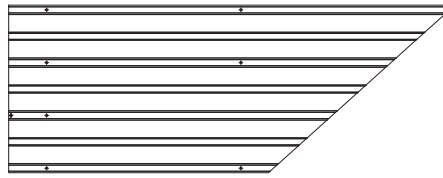
(M3) 4x Roof Panel



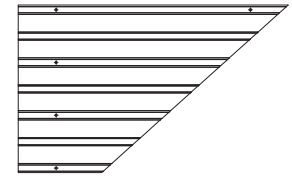
(M4) 4x Roof Panel



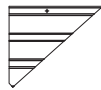
(M5) 4x Roof Panel



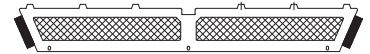
(M6) 4x Roof Panel



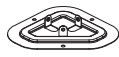
(M7) 4x Roof Panel



(M8) 4x Roof Panel



(Q) 4x Net Frame



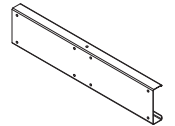
(B) 4x Base



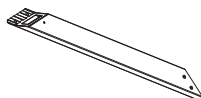
(B1) 8x Joint Cover



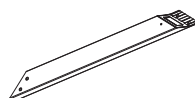
(B2) 8x Joint Cover



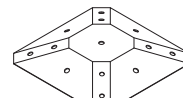
(C2) 4x Union Bar



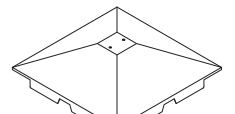
(R) 4x Corner Solidifying Bar



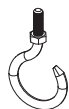
(R1) 4x Corner Solidifying Bar



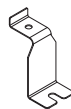
(S) 1x Inside Roof Connector



(S1) 1x Outside Roof Connector



(T) 1x J-Hook



(T1) 4x Bracket



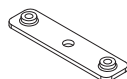
(U) 4x Bracket



(U1) 4x Bracket



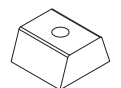
(U2) 4x Bracket



(U3) 4x Joint Cover



(V) 112x Hook

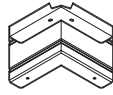


(W) 116x Spacer



Bracket

X 4x



Corner Cover

X1 4x



Finishing End

X2 4x



Finishing End

X3 12x



Solid Sidewall

Y 4x



Mosquito Sidewall

Y1 4x



Plastic Bracket

Z 72x



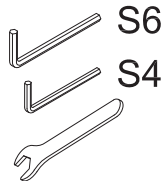
Plastic Bracket

Z1 8x



Plastic Bracket

Z2 8x



S6

S4

1 1x



ST6.3x15

2 12x



ST5x16

3 24x



M6x15

4 32x



M6

5 116x



M5x12

6 16x



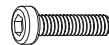
M6x10

7 16x



M6x16

8 189x



M6x25

9 8x



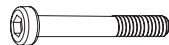
M6x28

10 72x



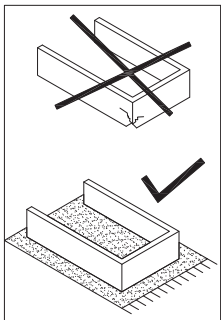
M6x45


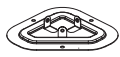
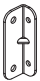


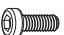

11 4x

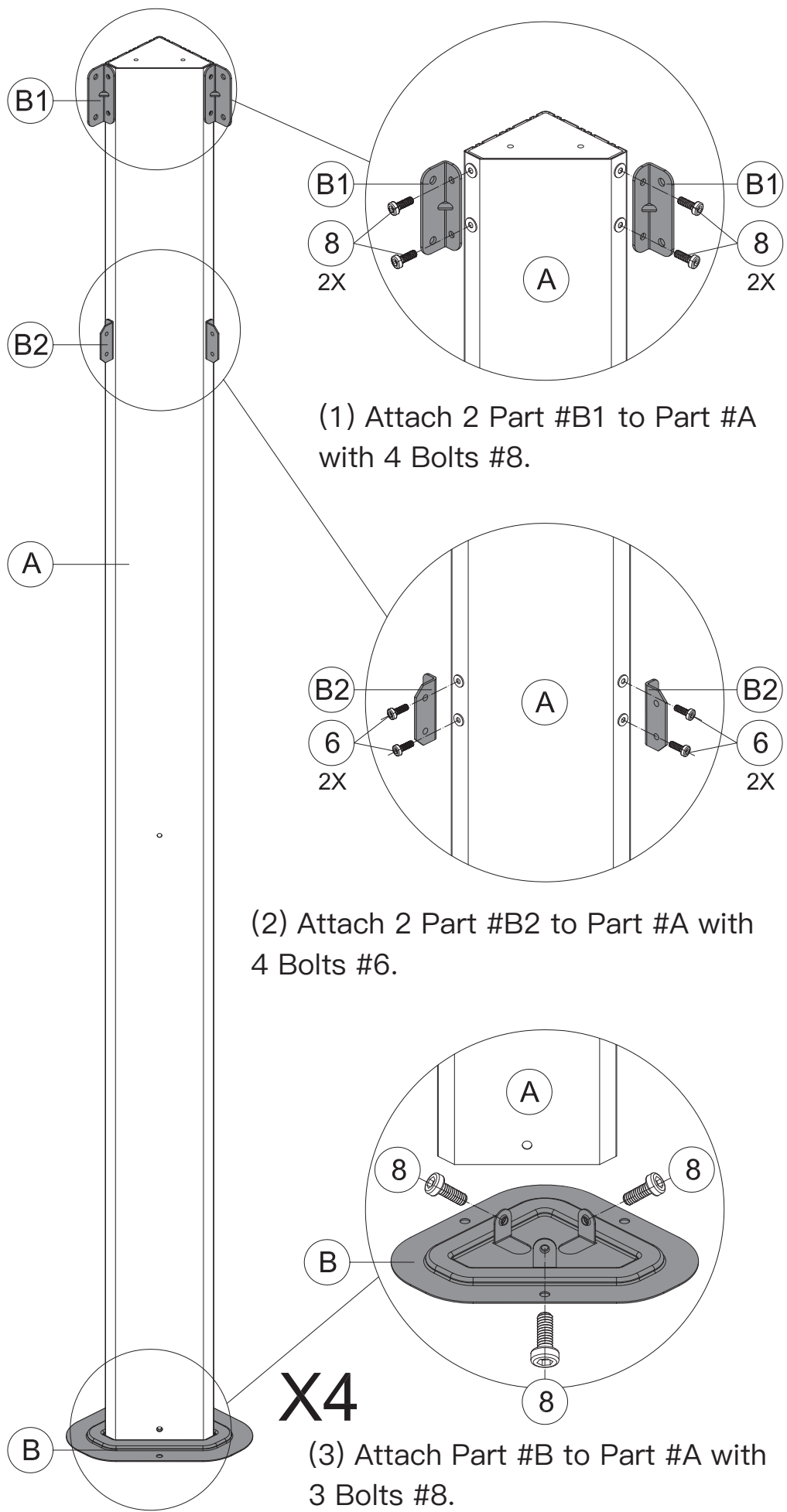


M6x50

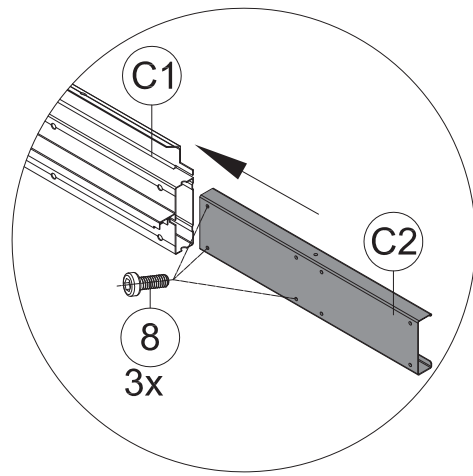
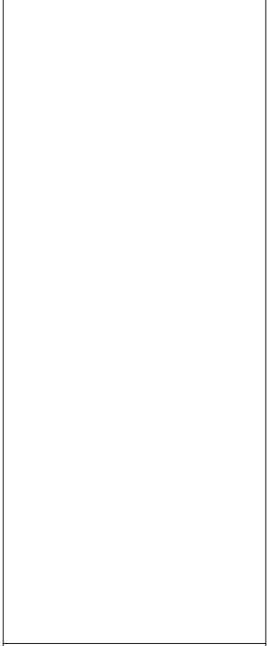
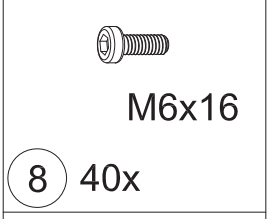
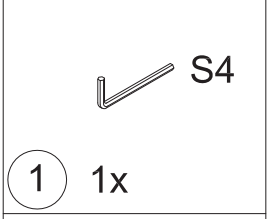
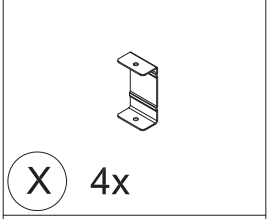
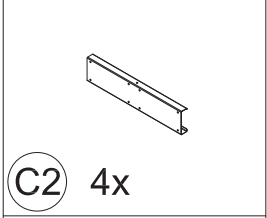
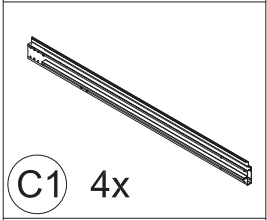
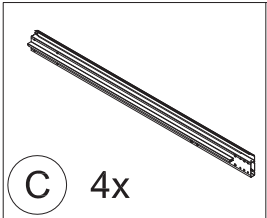
12 32x



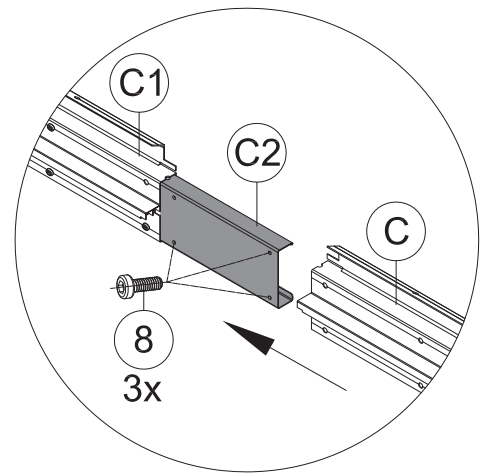
	<b>A</b> 4x
	<b>B</b> 4x
	<b>B1</b> 8x
	<b>B2</b> 8x
	<b>1</b> 1x S4
	<b>6</b> 16x M5x12
	<b>8</b> 28x M6x16
<b>5</b>	



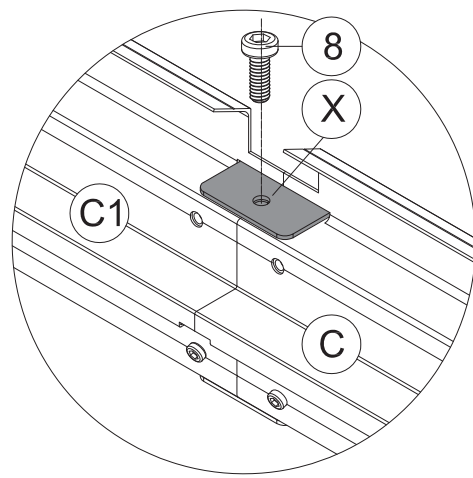
**X4**



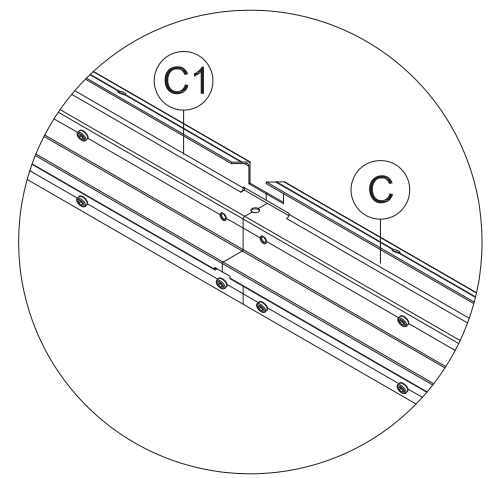
(1) Insert Part #C2 into Part #C1 and secure with 3 Bolts #8.



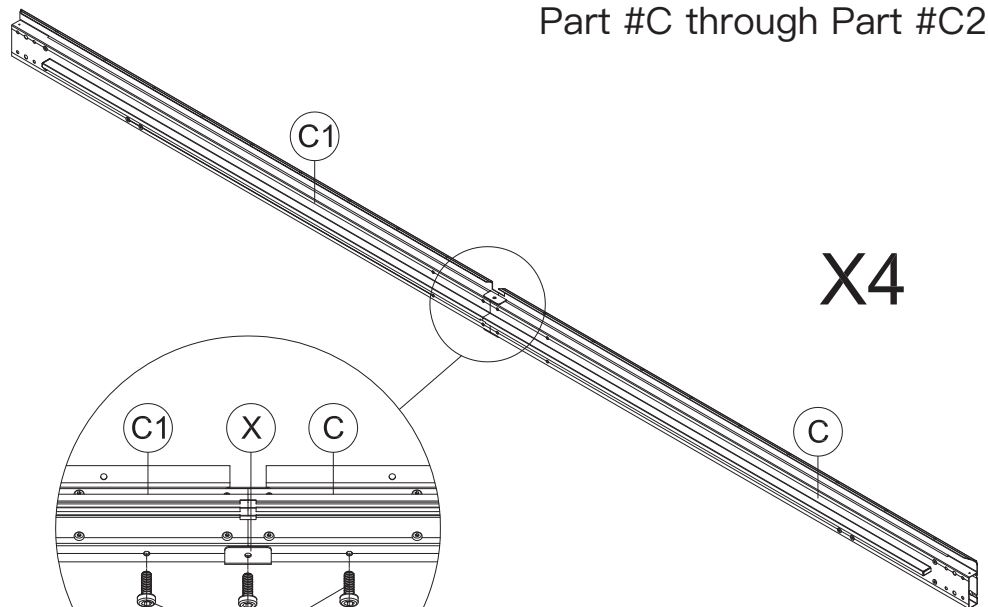
(2) Insert the other side of Part #C2 into Part #C and secure with 3 Bolts #8.



(3) Connect Part #C1 and Part #C through Part #C2.



(4) Insert Part #X into the beam.



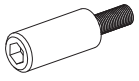
(5) Secure the bottom of Part #X and Part #C/C1 with 3 Bolts #8.

(6) Repeat the above procedures to assemble the other Part #C and Part #C1.



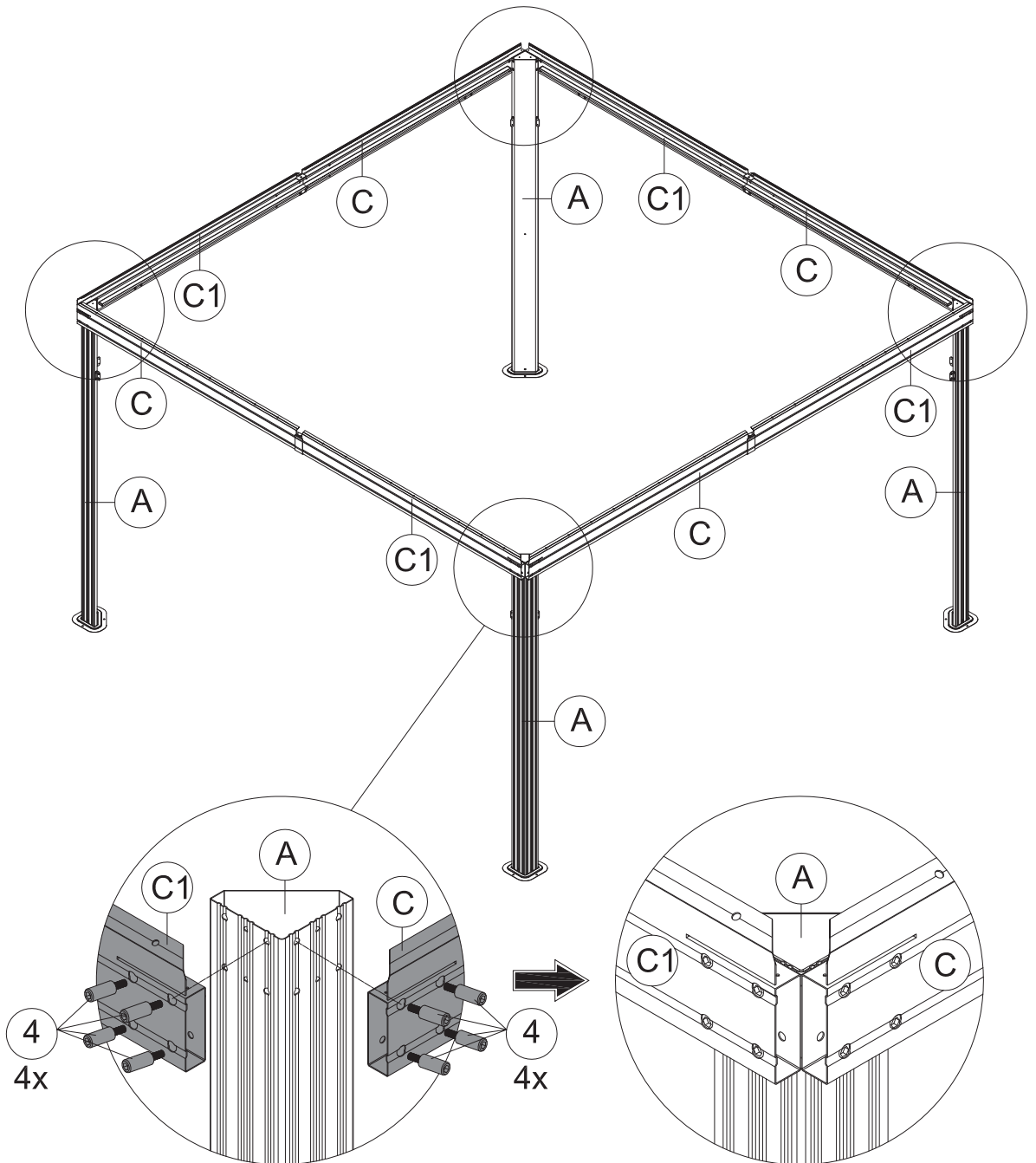
S6

1 1x



M6x15

4 32x



(1) Connect Part #C/C1 to Part #A with 8 Bolts #4.(From Outside)

(2) Repeat the above procedures to assemble the other 3 corners.

**⚠** Please don't tighten all bolts.

✓ S4

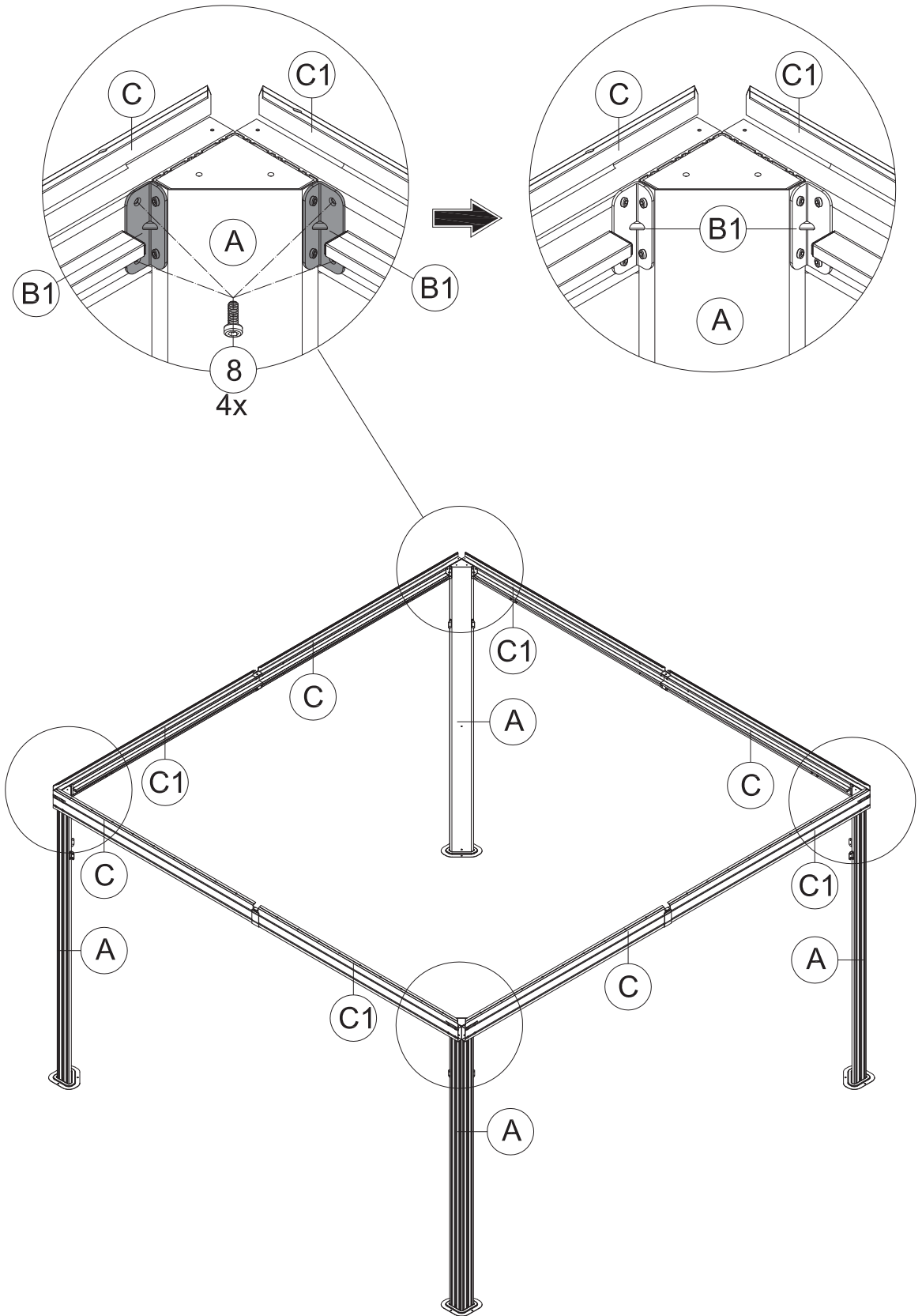
1 1x



M6x16

8 16x

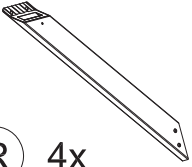
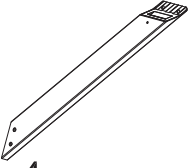
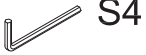
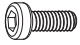
(1) Connect Part #C/C1 to Part #A with 4 Bolts #8.(From Inside)



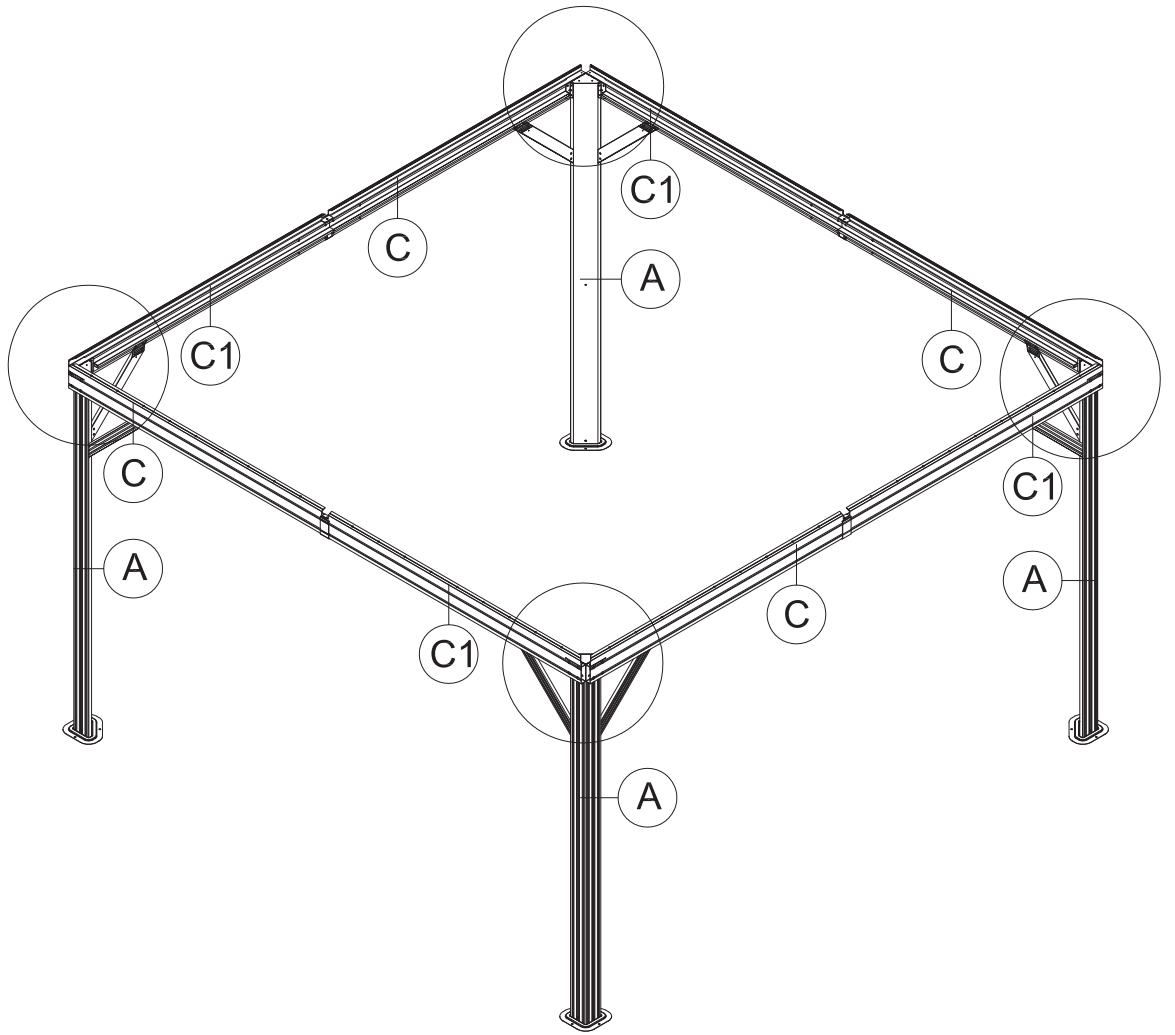
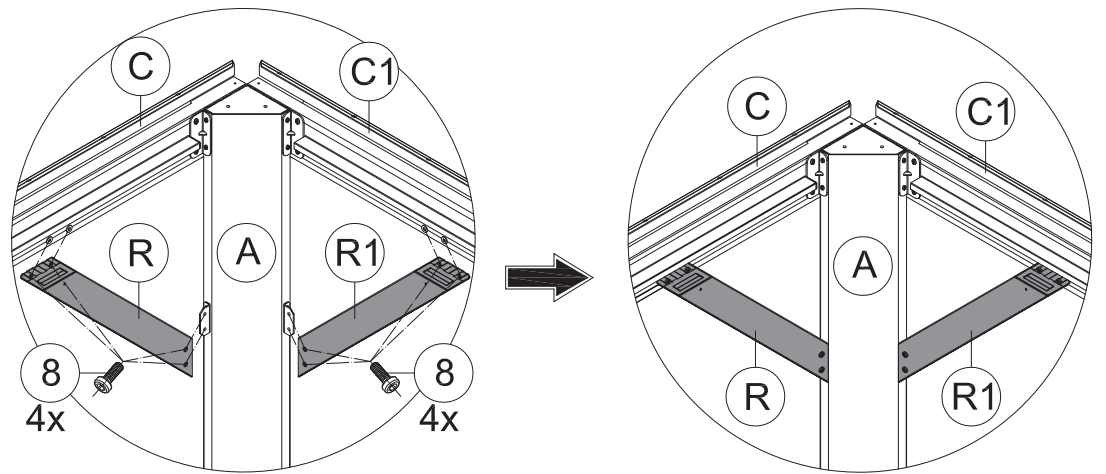
(2) Repeat the above procedures to assemble the other 3 corners.

⚠ Please don't tighten all bolts.

8

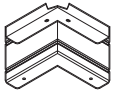
-  **R** 4x
-  **R1** 4x
-  **S4**
- 1** 1x
-  **8** 32x  
M6x16

(1) Affix Part #R and Part #R1 to the frame with 8 Bolts #8



(2) Repeat the above procedures to assemble the other 3 corners.

**!** Please don't tighten all bolts.

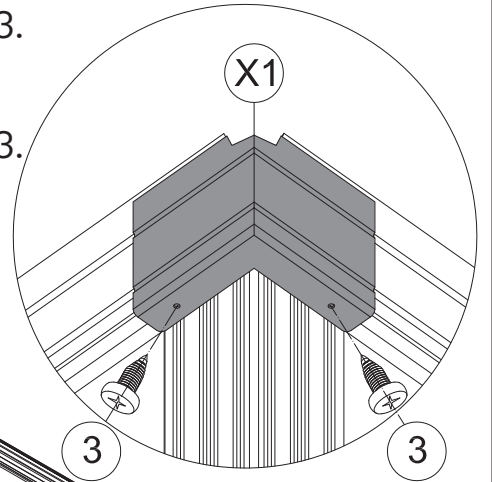
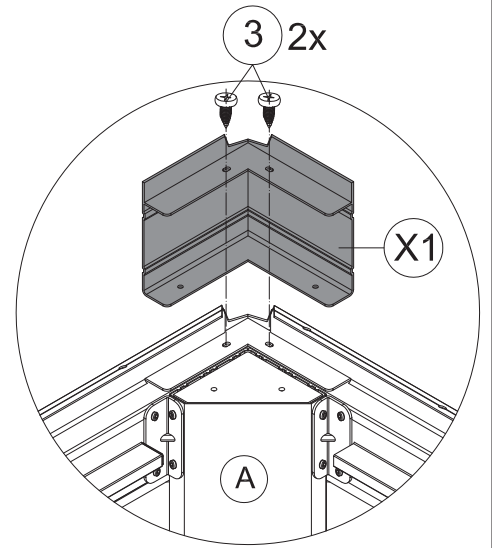
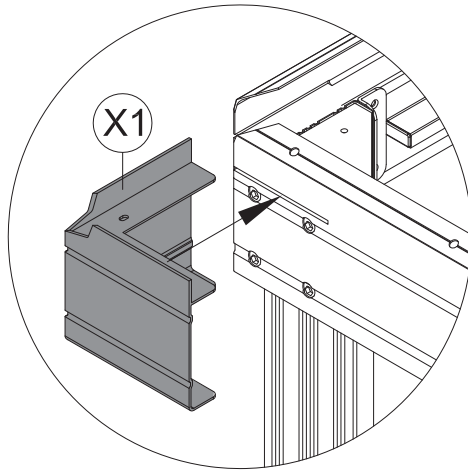


X1 4x

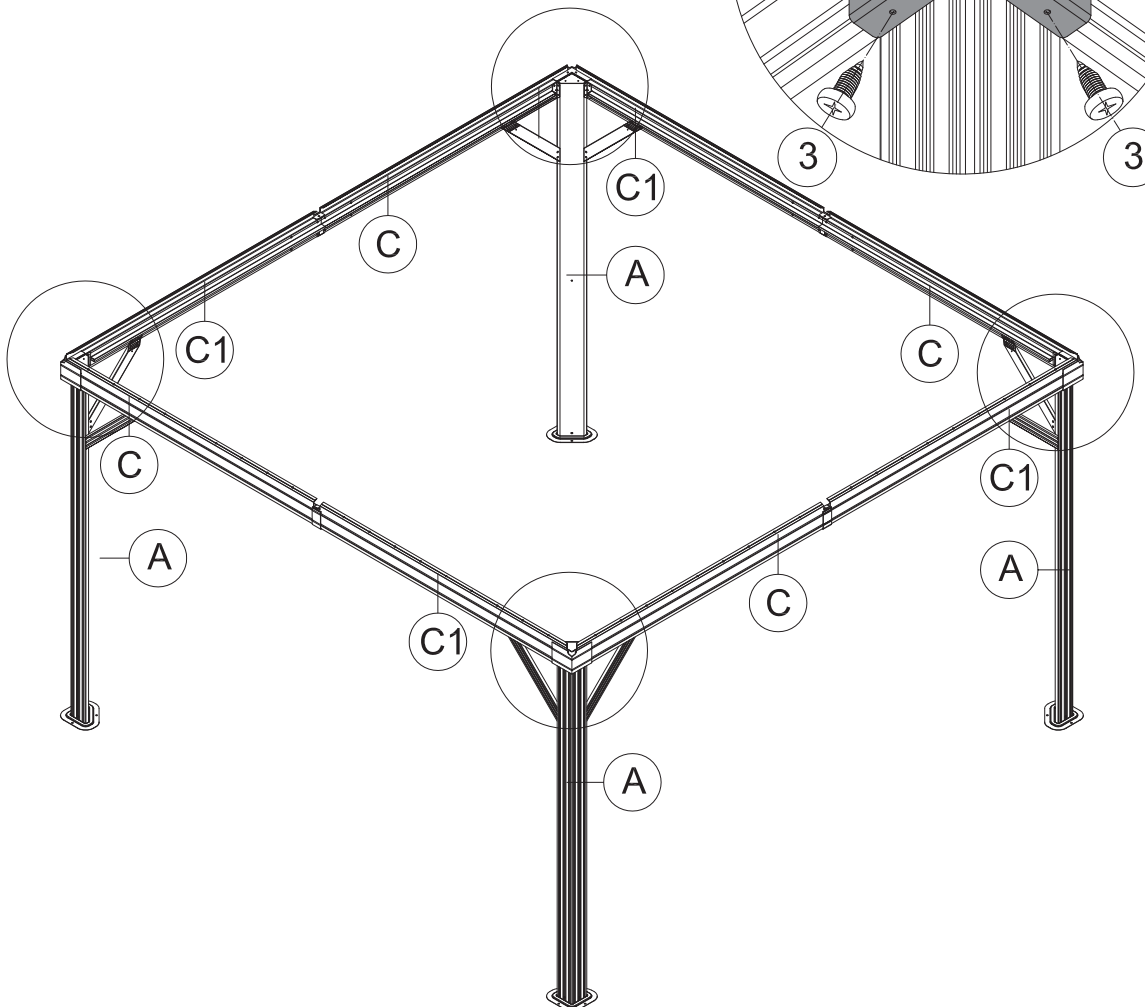


ST5x16

3 16x

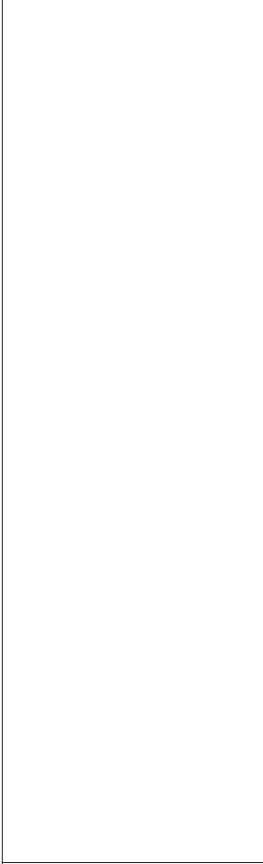
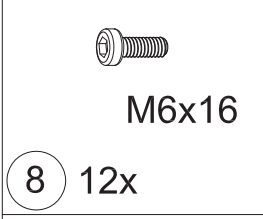
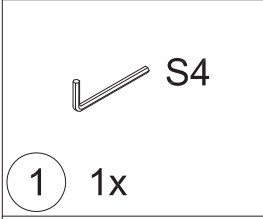
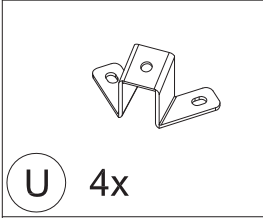
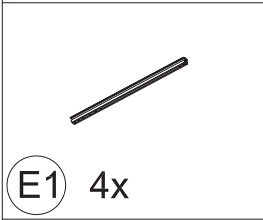
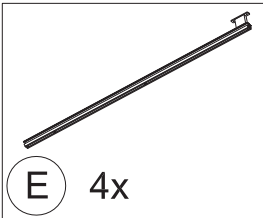


- (1) Cover the corner with Part #X1.
- (2) Secure with 2 Self-tapping Screws #3.  
(from top to bottom)
- (3) Secure with 2 Self-tapping Screws #3.  
(from bottom to top)

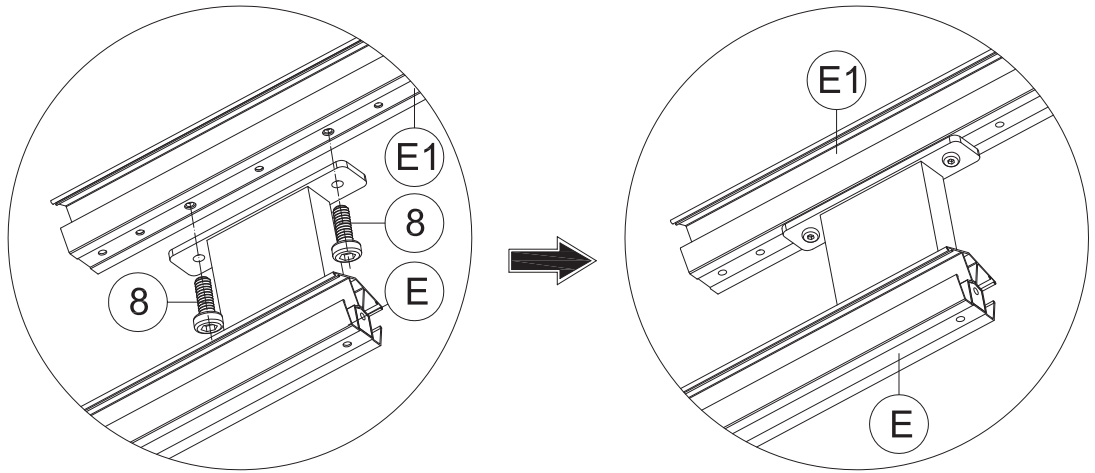


10

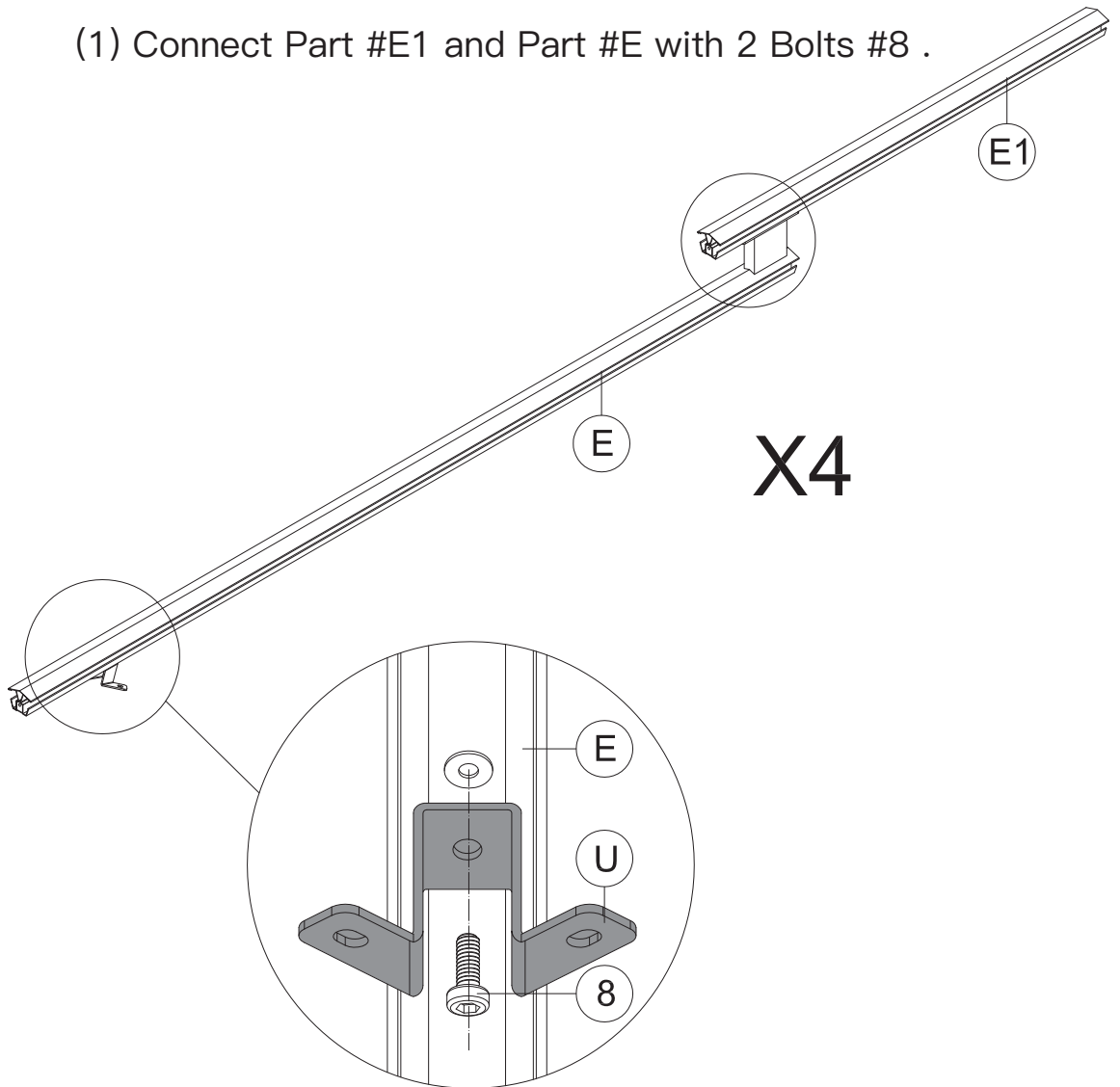
- (4) Repeat the above procedures to assemble the other 3 corners.  
▲ Tighten all bolts.



## Assemble the 4 Corner Roof Bars:

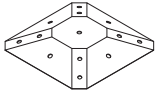


(1) Connect Part #E1 and Part #E with 2 Bolts #8 .



(2) Attach Part #U to Part #E with Bolt #8 .

(3) Repeat the above procedures to assemble the other 3 corner roof bars.



S 1x



1 1x



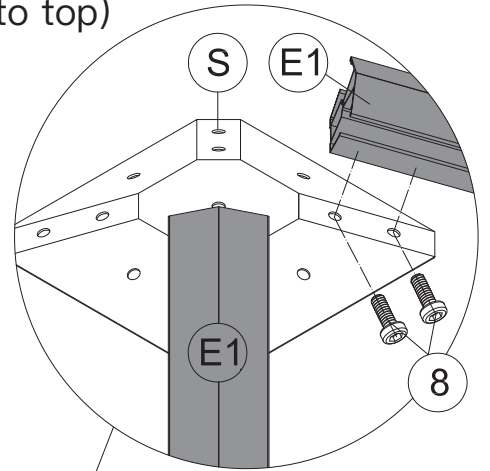
M6x16

8 16x

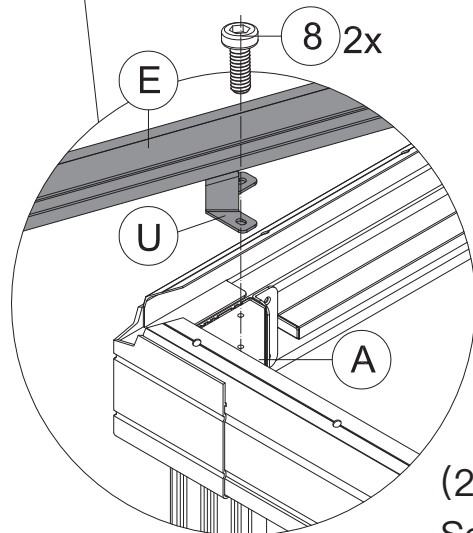
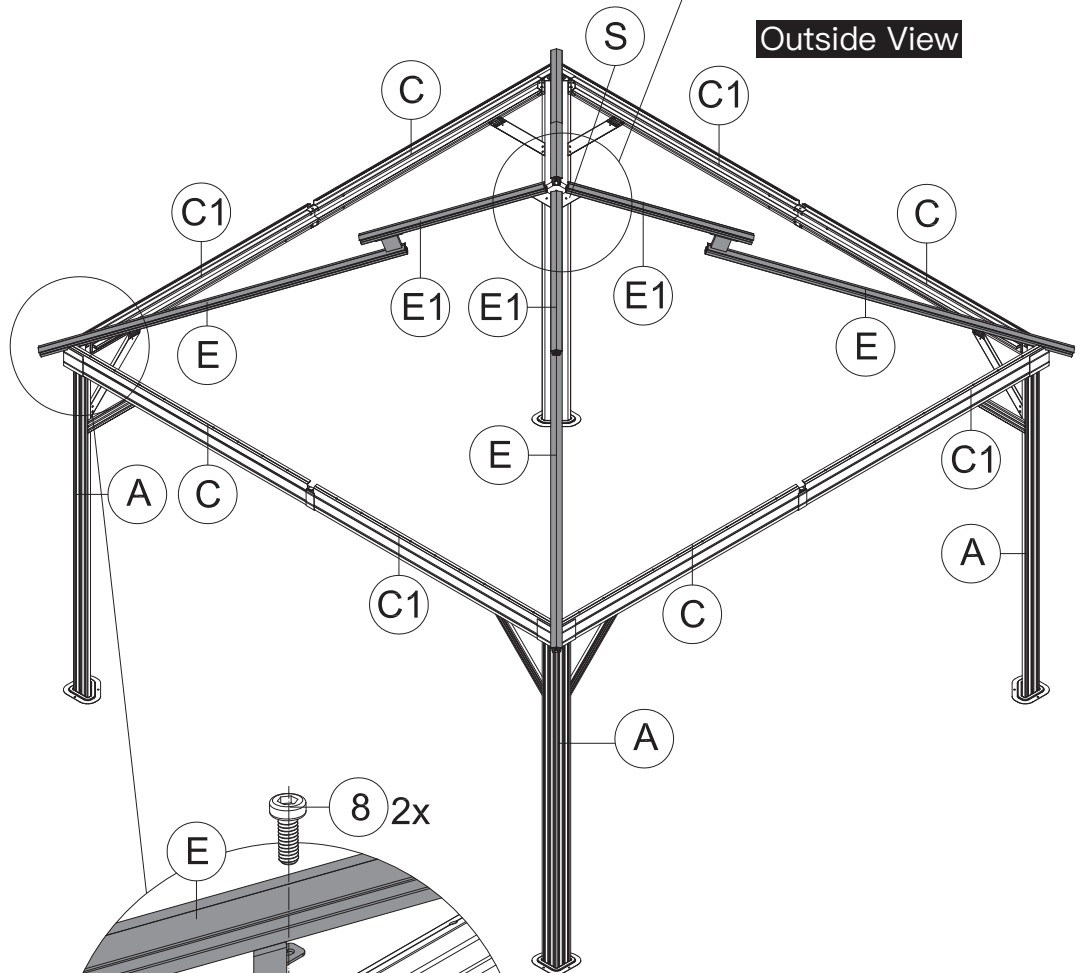
Please have a freestanding ladder ready at the center of the gazebo.

(1) Place 4 Part #E1 on the 4 corners of Part #S.  
Secure with 8 Bolts #8 (from bottom to top)

**ATTENTION:** You can also finish this step on the ground and then lift 4 corner roof bars and inside roof connector to the top together. (Need 2 people and 2 ladders)

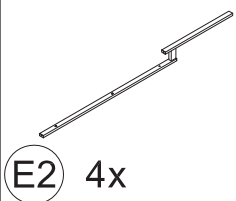


Outside View



Outside View

(2) Place 4 Part #E on 4 Part #A;  
Secure with 8 Bolts #8.



E2 4x



U1 4x

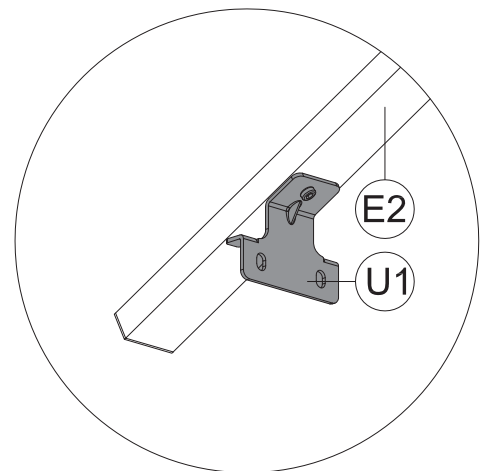
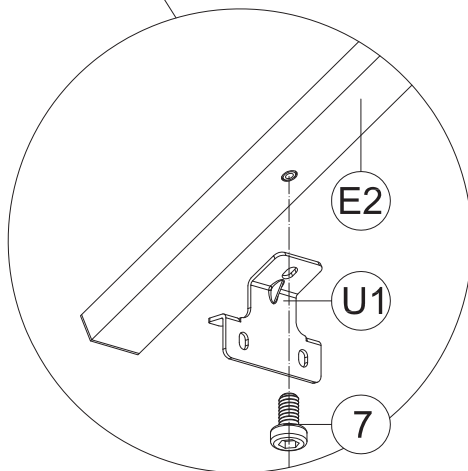
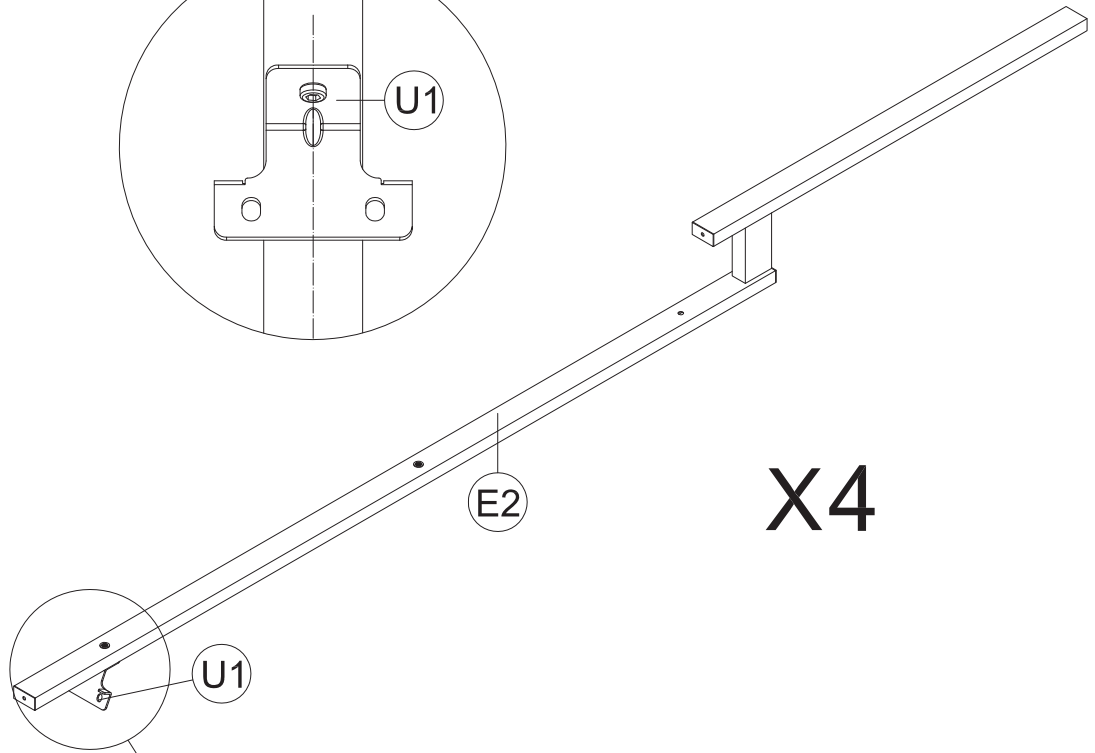
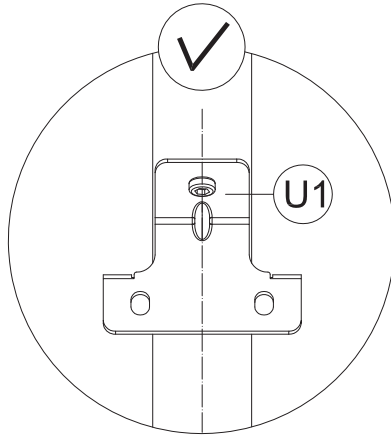
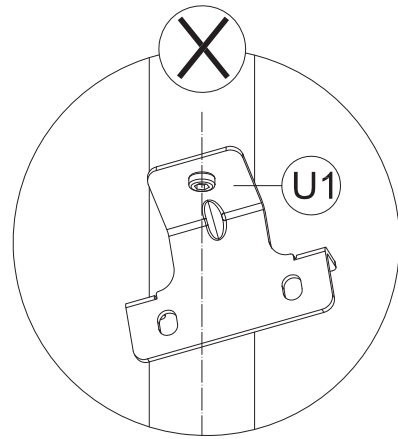
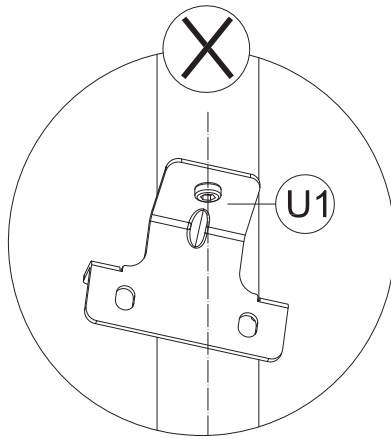


1 1x



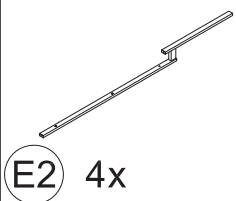
M6x10

7 4x



(1) Attach Part #U1 to Part #E2 with Bolt #7 .

(2) Repeat the above procedures to assemble the other 3 roof bars.



E2 4x



1 1x

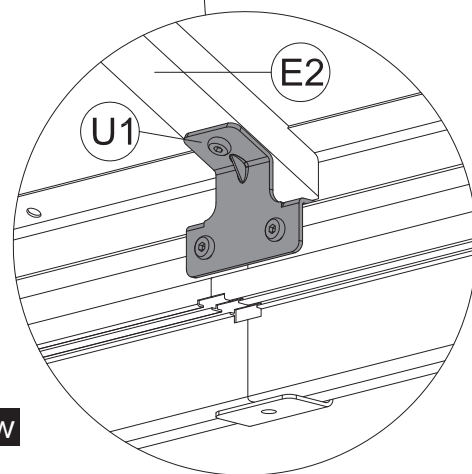
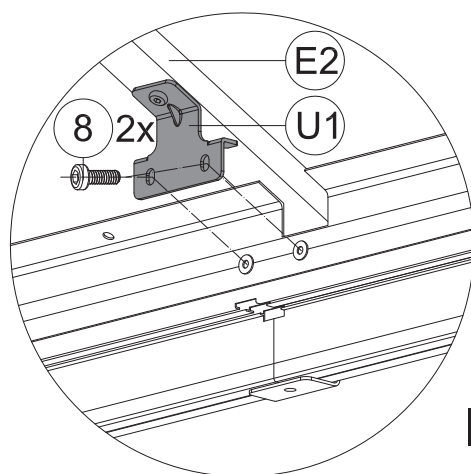
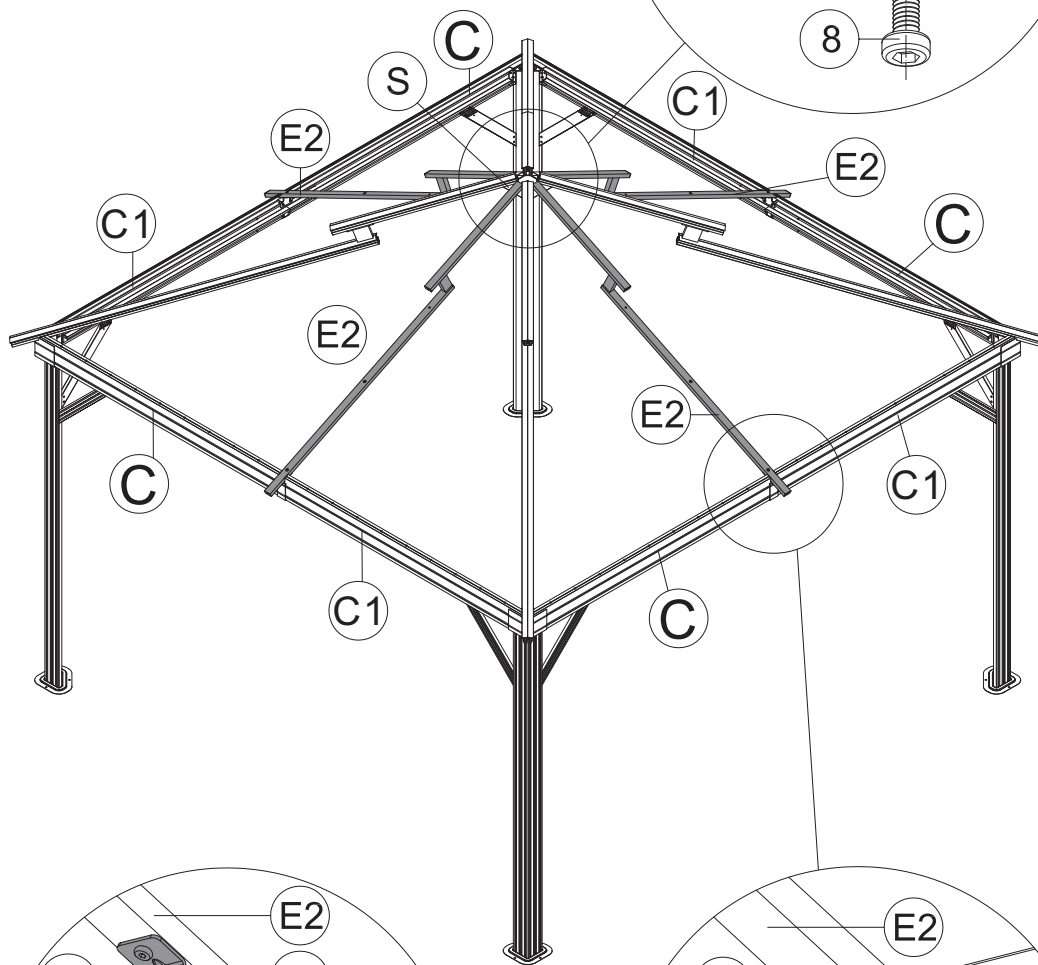
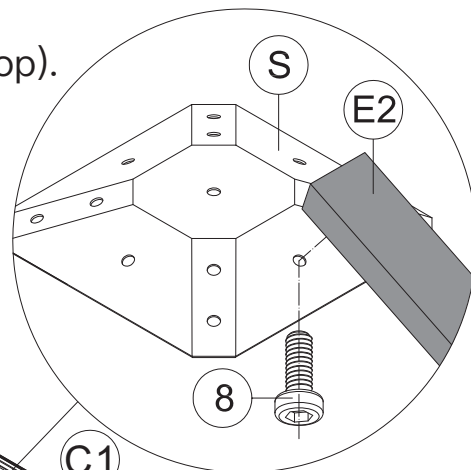


M6x16

8 12x

(1) Place Part #E2 on part #S.  
Secure with Bolt #8 (from bottom to top).

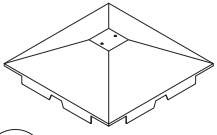
Outside View



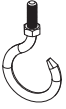
Inside View

(2) Connect Part #E2 and the Assembled Beam(C&C1) with part #U1.  
Secure with 2 Bolts #8 .

(3) Repeat the above procedures to assemble the other 3 sides.

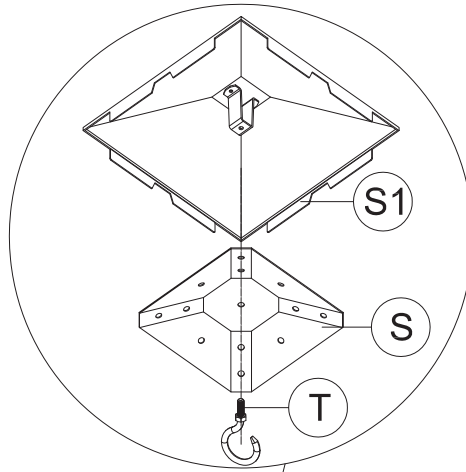


(S1) 1x

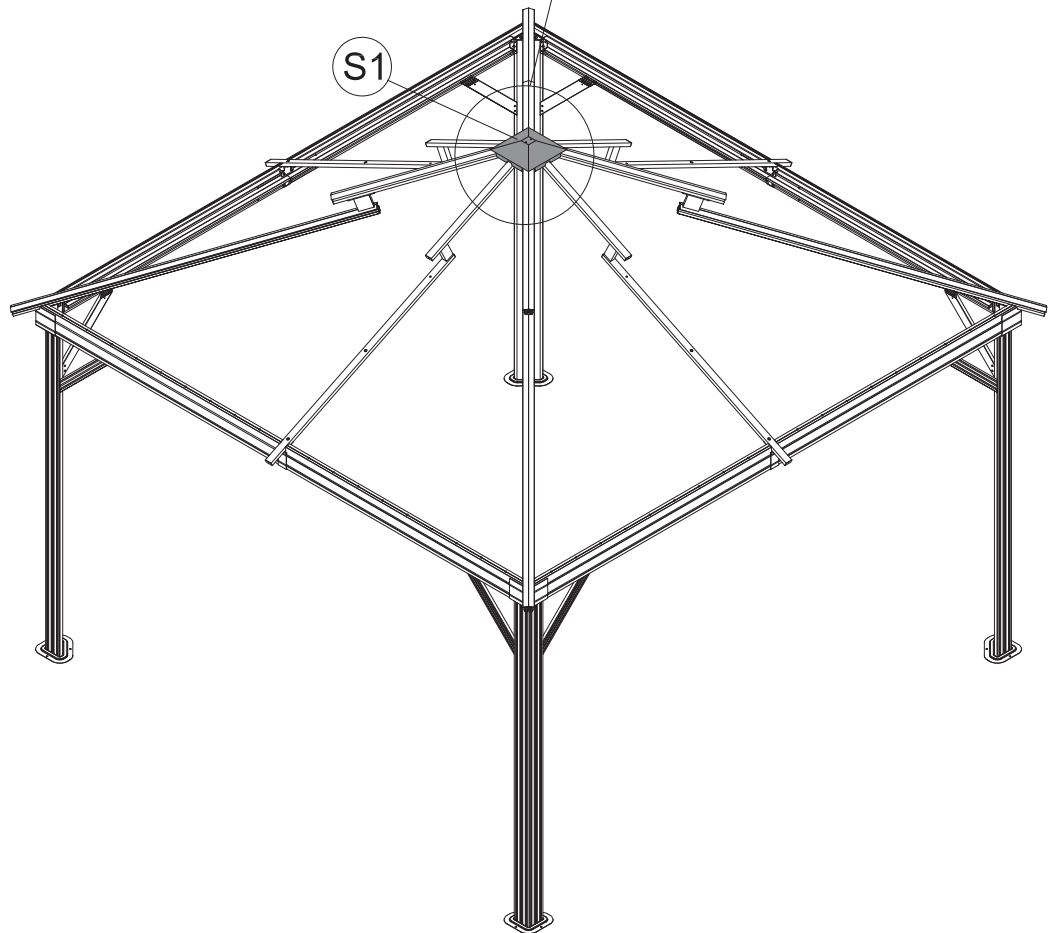


(T) 1x

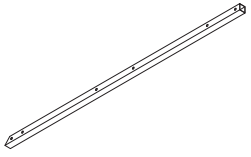
Secure Part #T to Part #S and Part #S1.



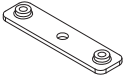
Outside View



**ATTENTION:** The holes of Part #S and Part #S1 need to be aligned, on the same vertical line.



F 8x



U3 4x



1 1x



M6x10

7 4x

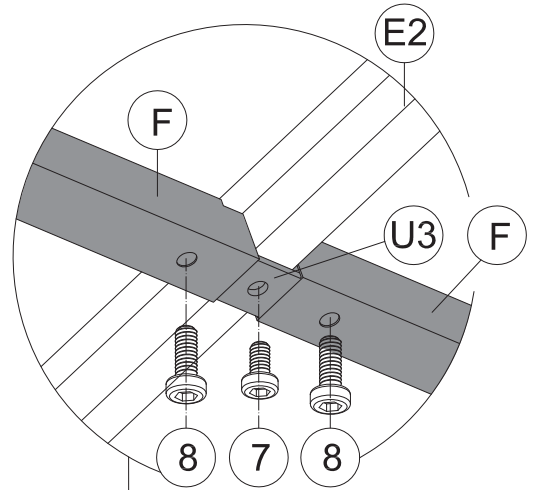


M6x16

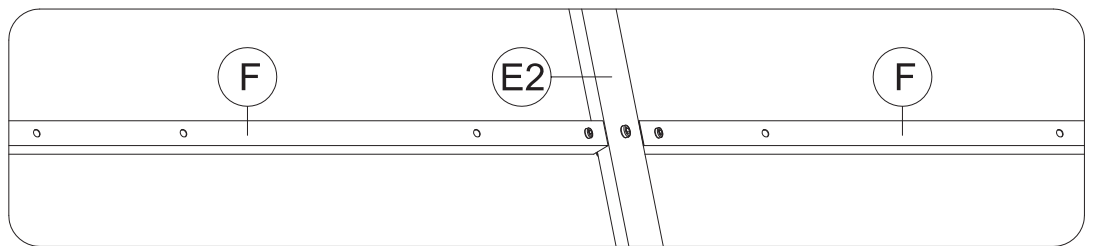
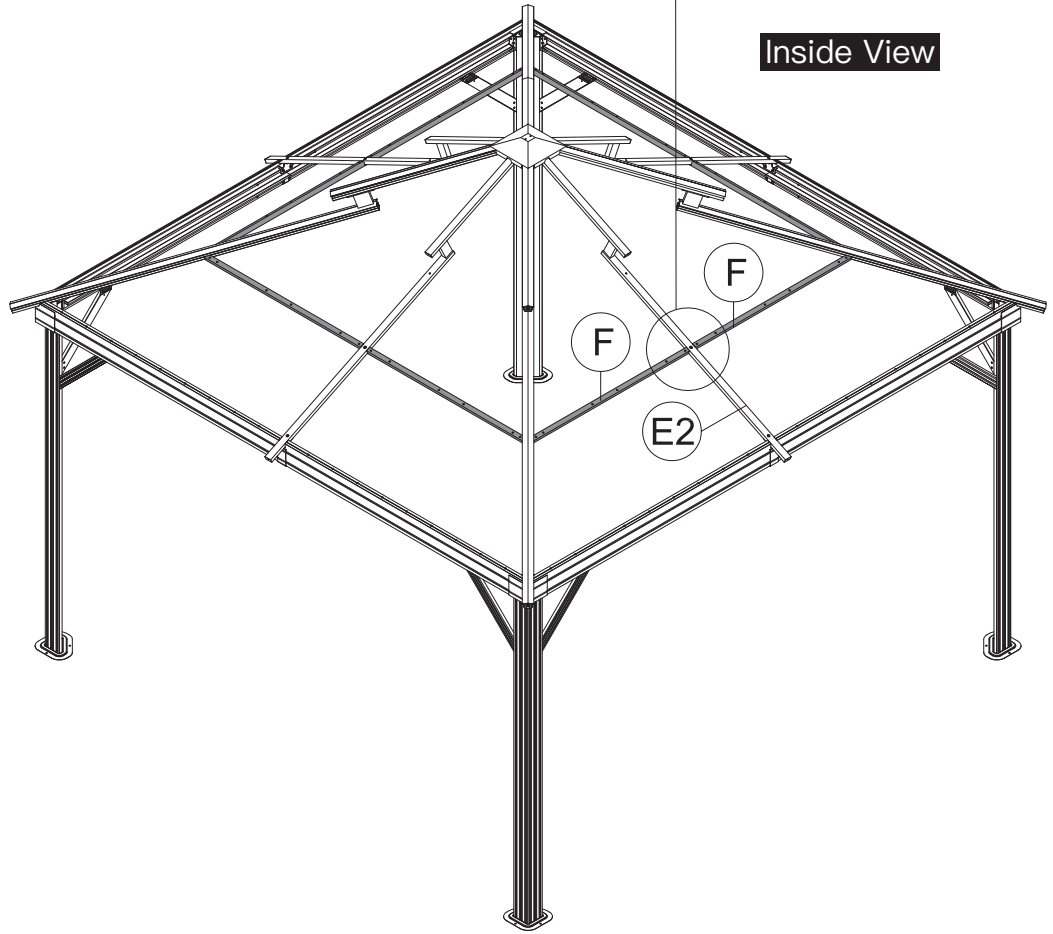
8 8x

(1) Insert Part #U3 into 2 Part #F.

(2) Attach Part #F to the Part #E2 with 1 Bolt #7 and 2 Bolts #8.



Inside View



(3) Repeat the above procedures to assemble the other 3 sides.



U2 4x

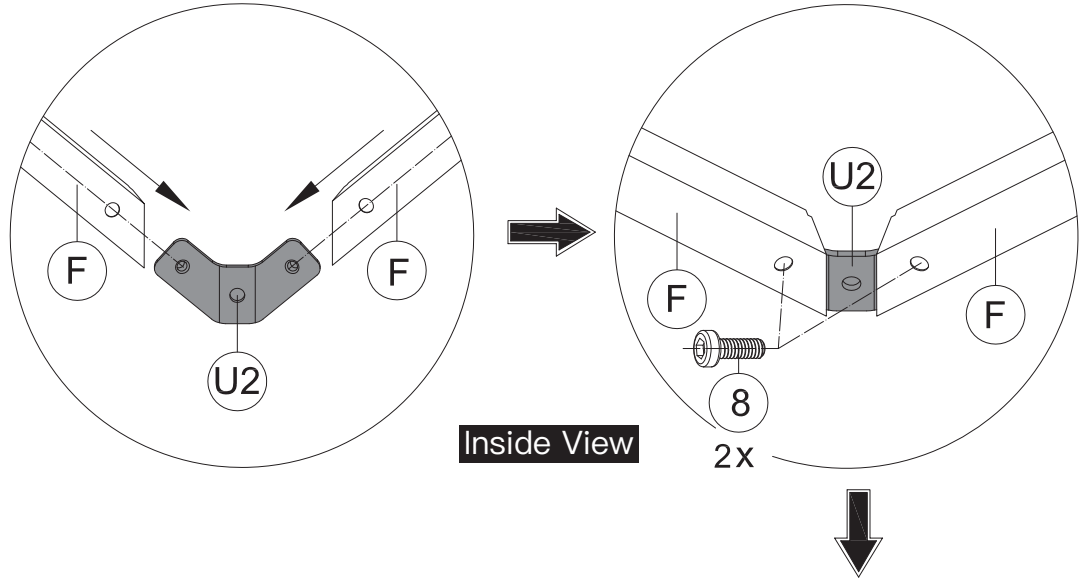


1 1x

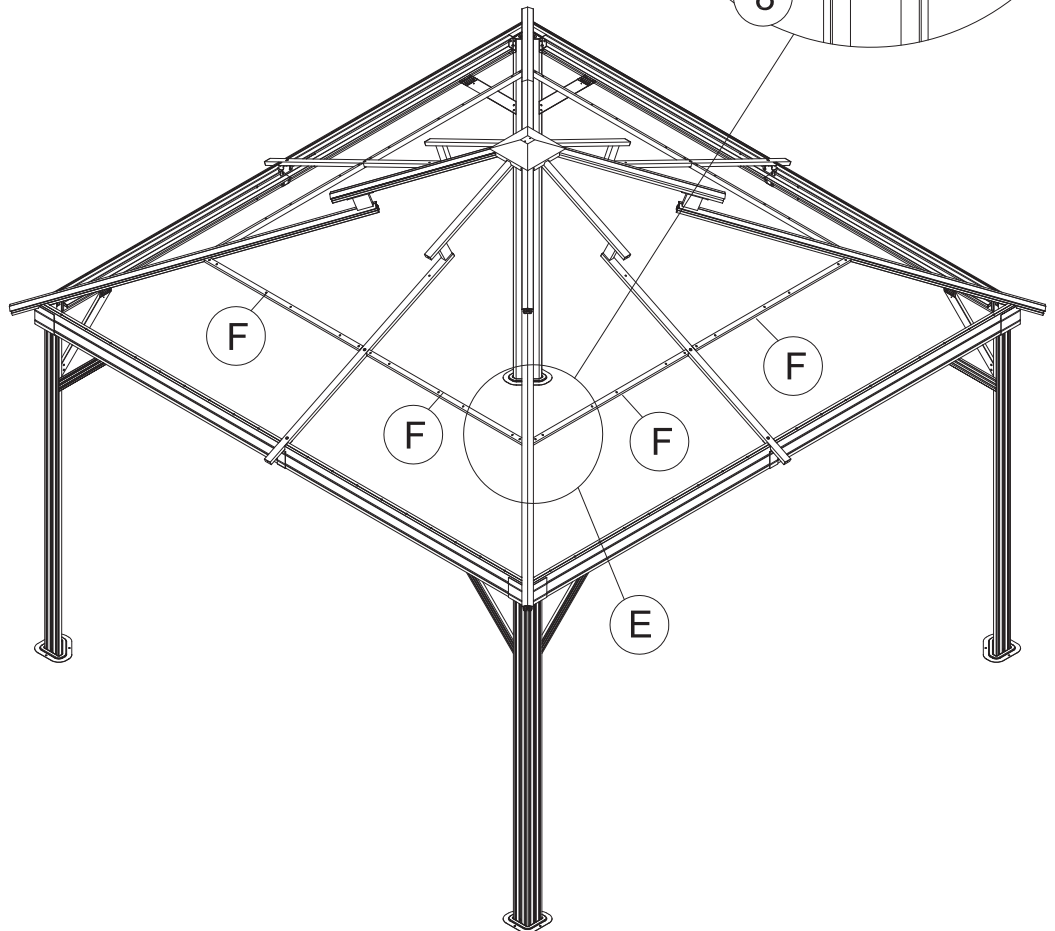
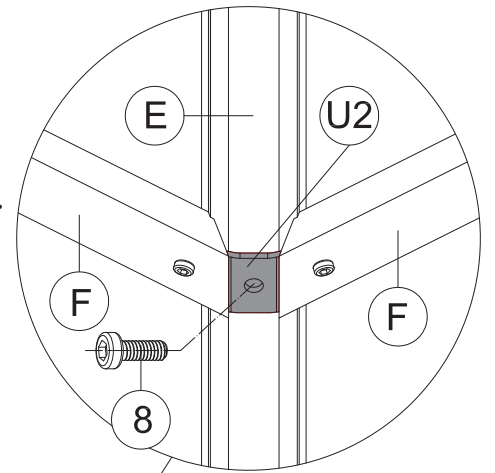


M6x16

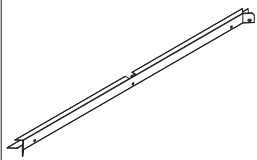
8 12x



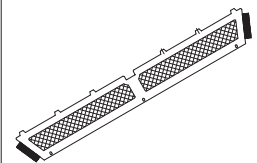
- (1) Insert Part #U2 into 2 Part #F .
- (2) Secure with 2 Bolts #8.
- (3) Secure them to Part #E with Bolt #8.



- (4) Repeat the above procedures to assemble the other 3 sides.



J 4x



Q 4x



1 1x



5 8x

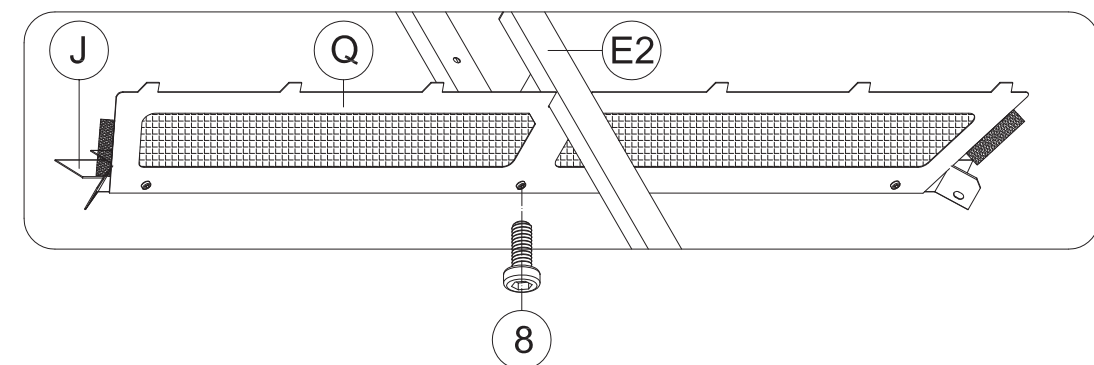
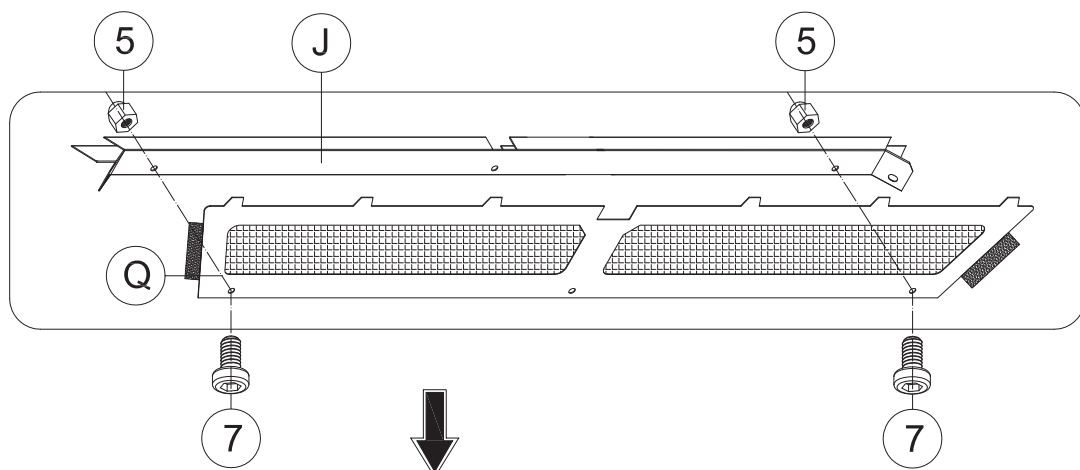


7 8x

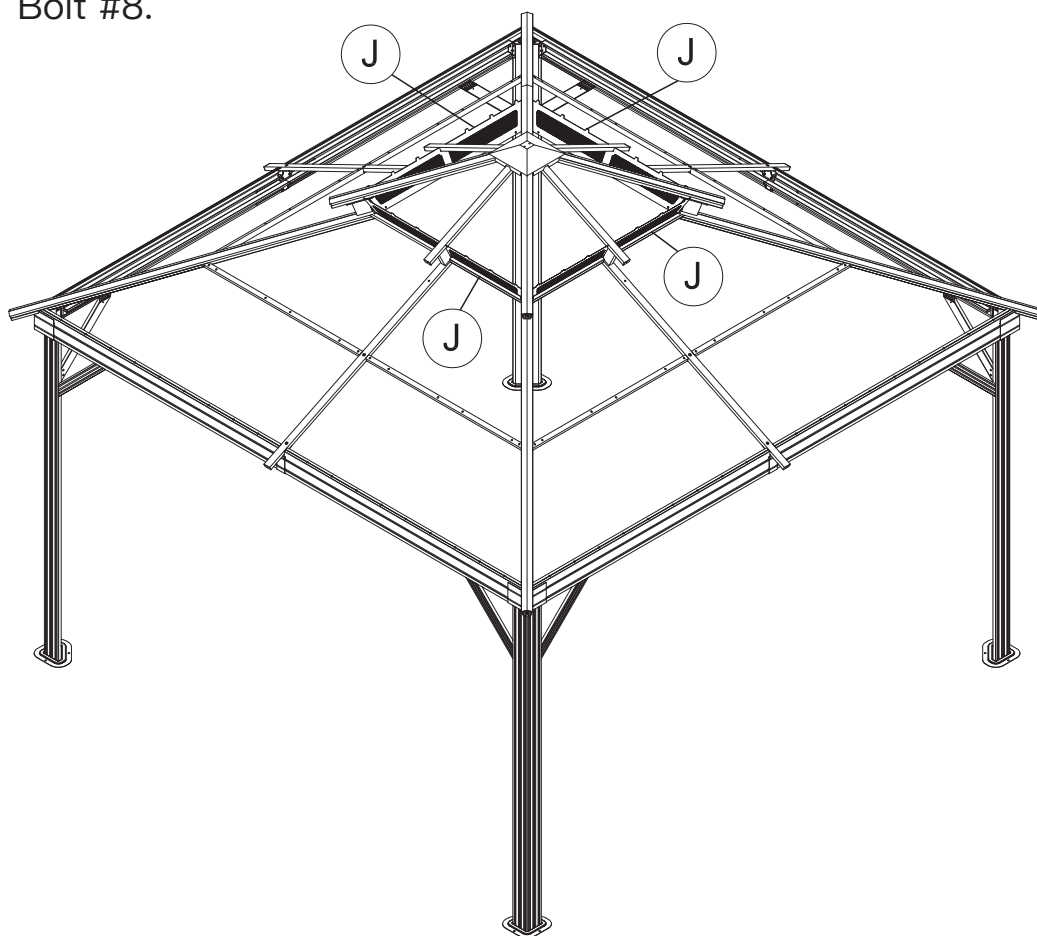


8 4x

(1) Connect Part #J and Part #Q with 2 Bolts #7 and 2 Nuts #5.



(2) Place the Assembled Part #J & #Q on Part #E2, securing with 1 Bolt #8.



(3) Repeat the above procedures to assemble the other 3 sides.



X3 4x



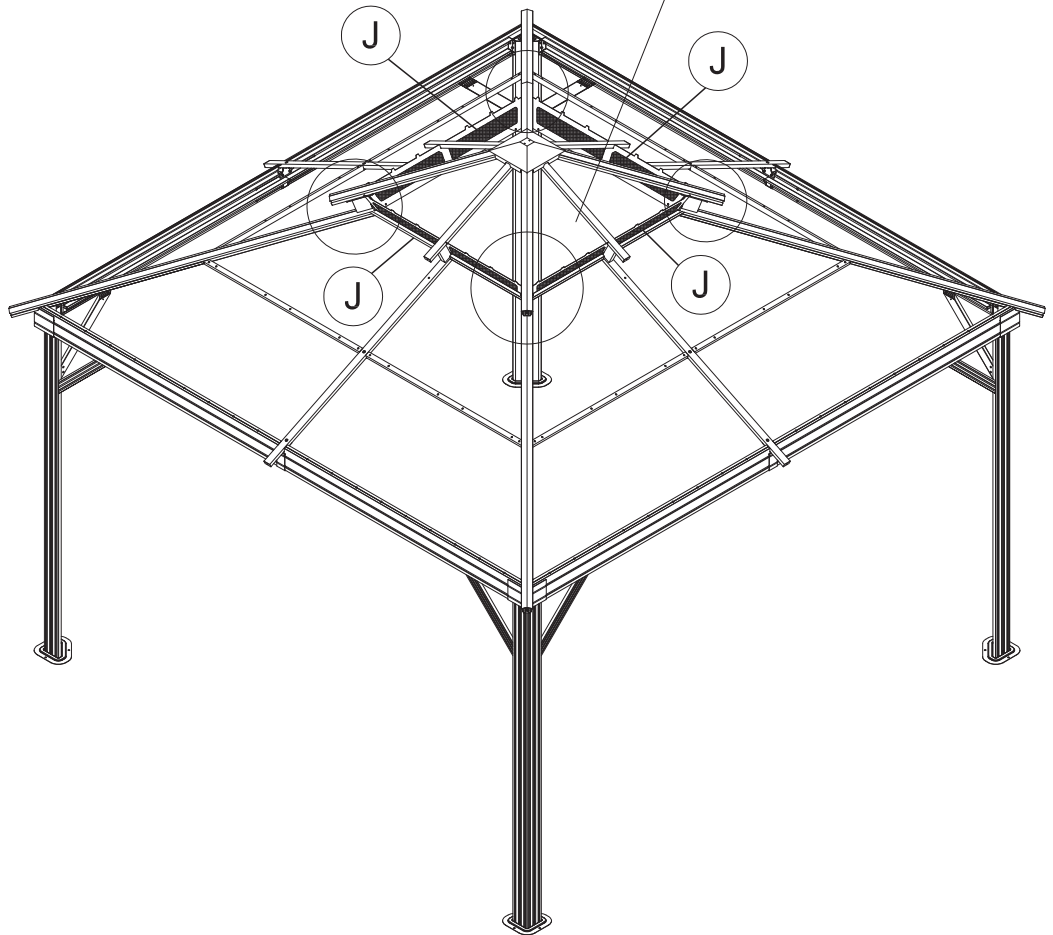
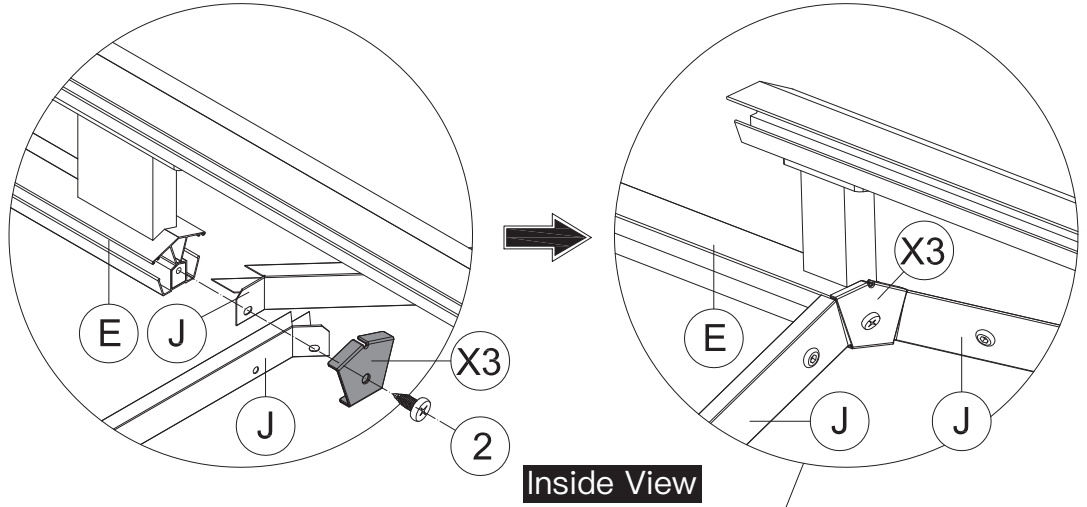
1 1x



ST6.3x15

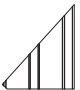
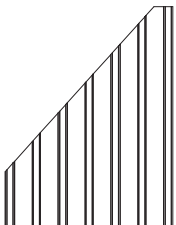
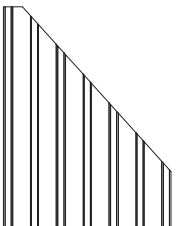
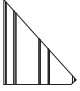



2 4x

(1) Place 2 Part #J on Part #E, put on Part #X3 and secure with Self-tapping Screw #2.

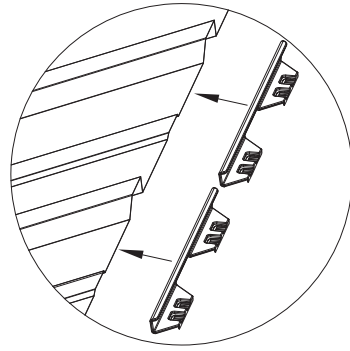


(2) Repeat the above procedures to assemble the other 3 corners.

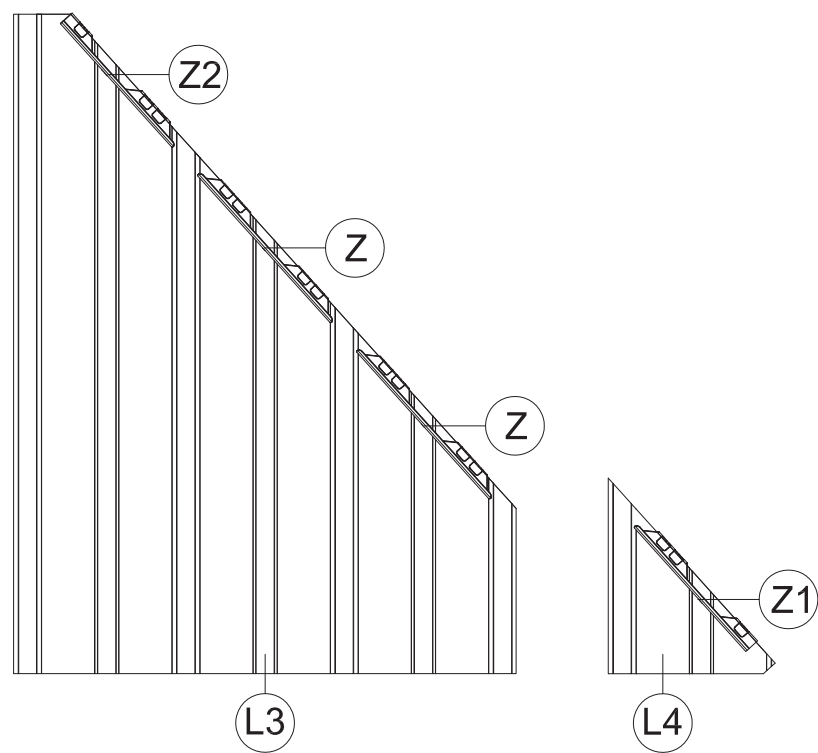
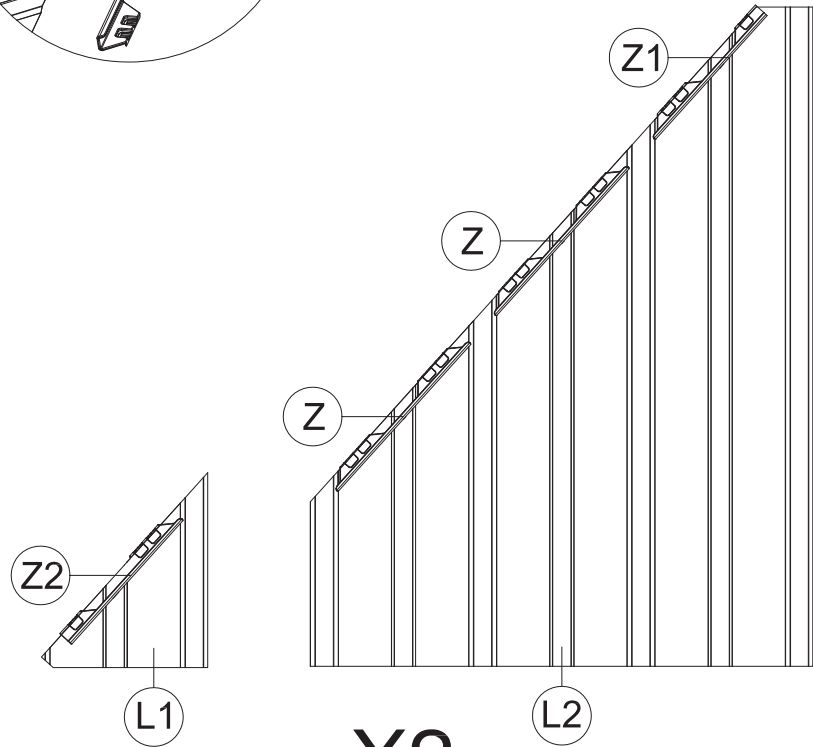
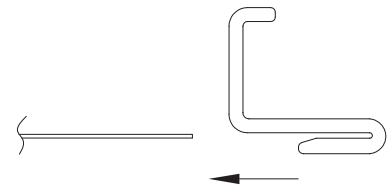
# Cover Part #Z, #Z1 & #Z2 to Roof Panels.

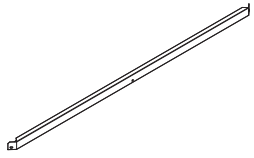
-  **L1** 4x
-  **L2** 4x
-  **L3** 4x
-  **L4** 4x
-  **Z** 16x
-  **Z1** 8x
-  **Z2** 8x

20



Section View





H 4x



1 1x

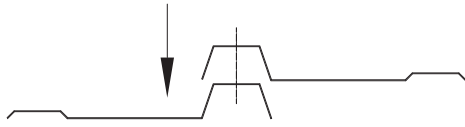
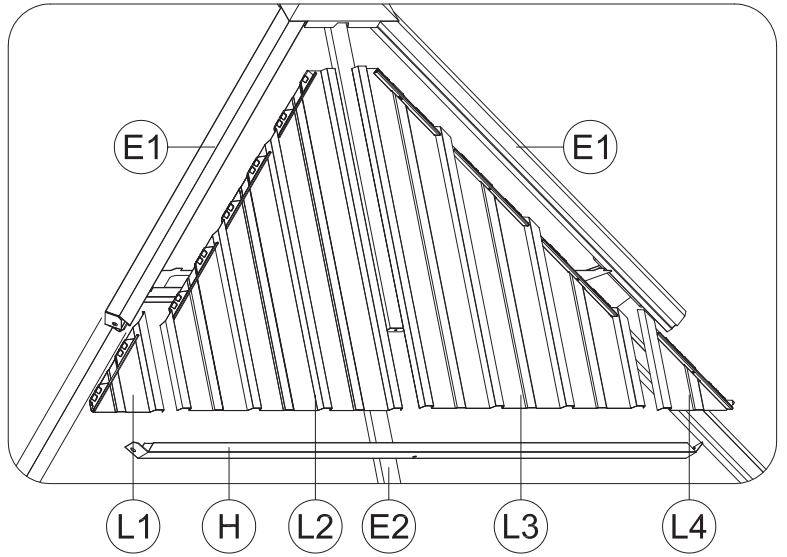
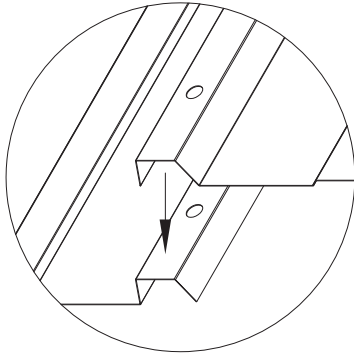


M6x16

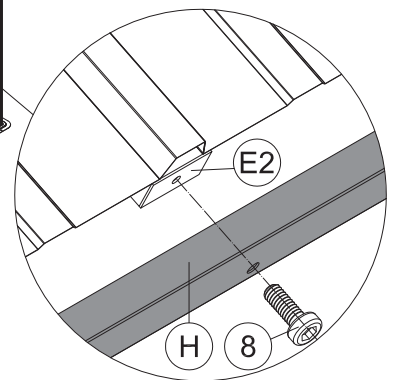
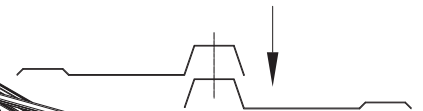
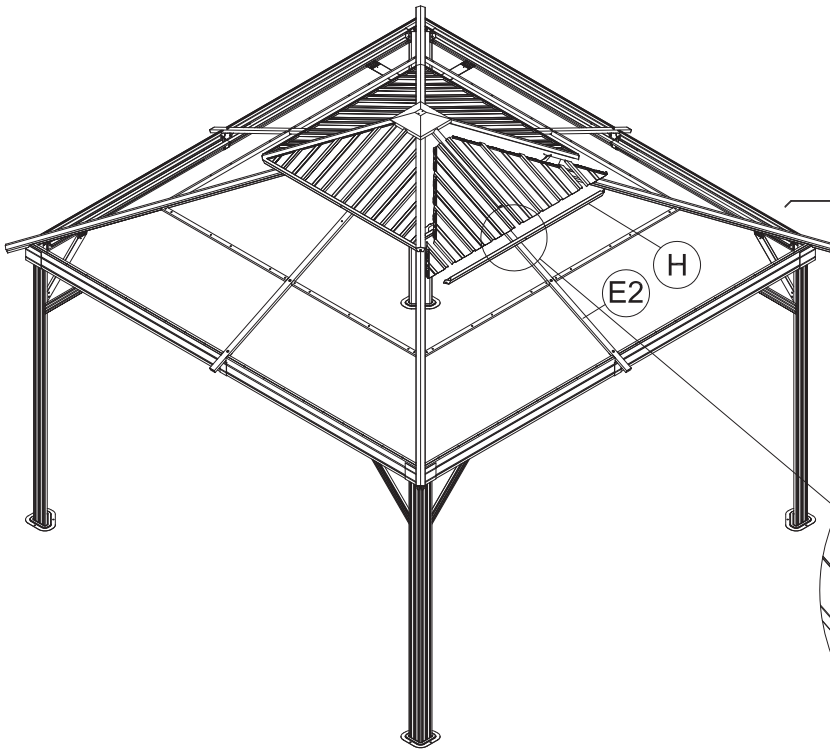
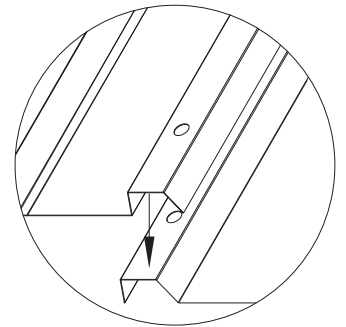
8 4x

**ATTENTION: The bigger roof panel need to cover the smaller one.**

(1) Insert Part #L1 and Part #L2 into the fame.



(2) Insert Part #L3 and Part #L4 into the fame.



(3) Attach Part #H to Part #E2, securing with Bolt #8.

(4) Repeat the above procedures to assemble the other 3 sides.



X3 4x



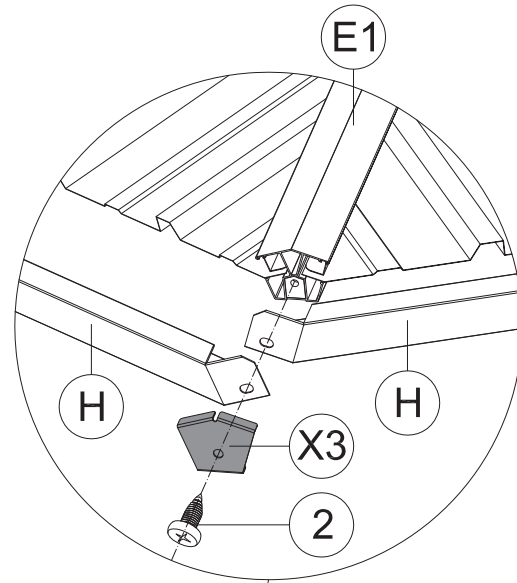
1 1x



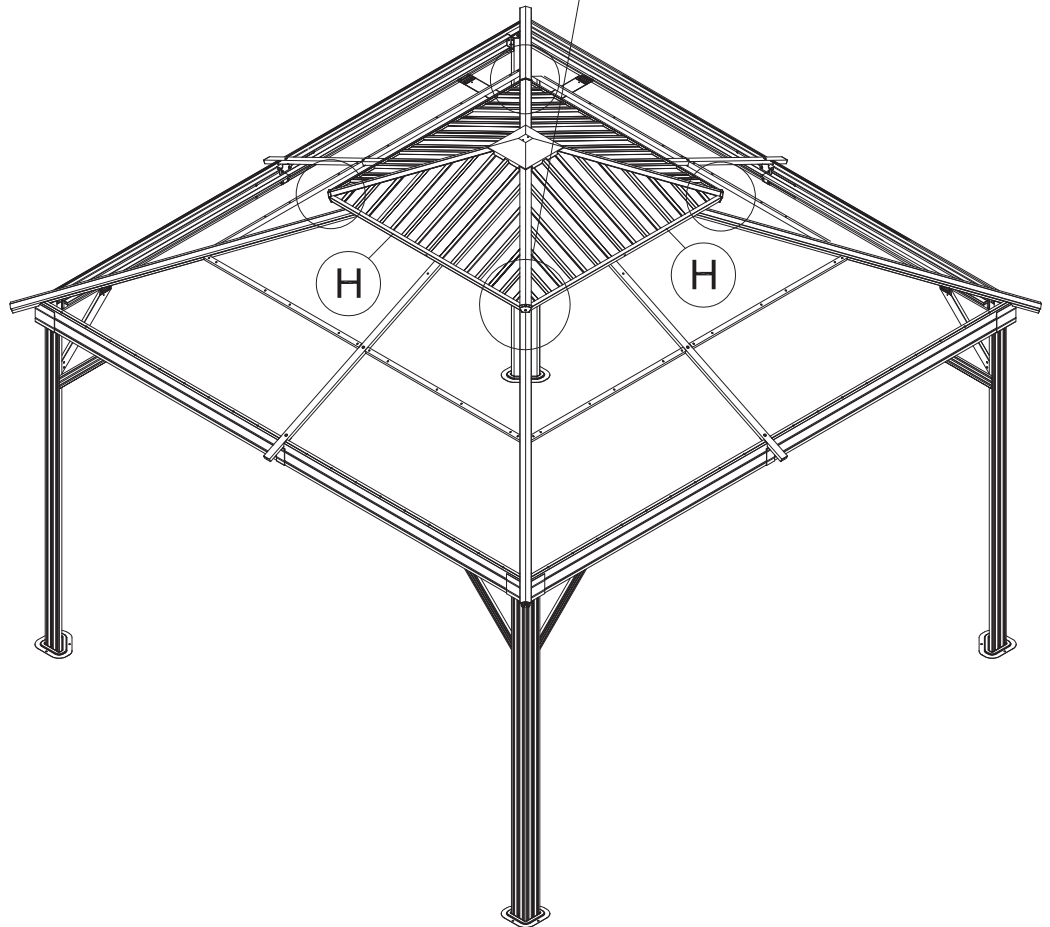
ST6.3x15

2 4x

(1) Place 2 Part #H on Part #E1, put on Part #X3 and secure with Self-tapping Screw #2.



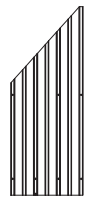


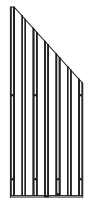
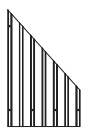




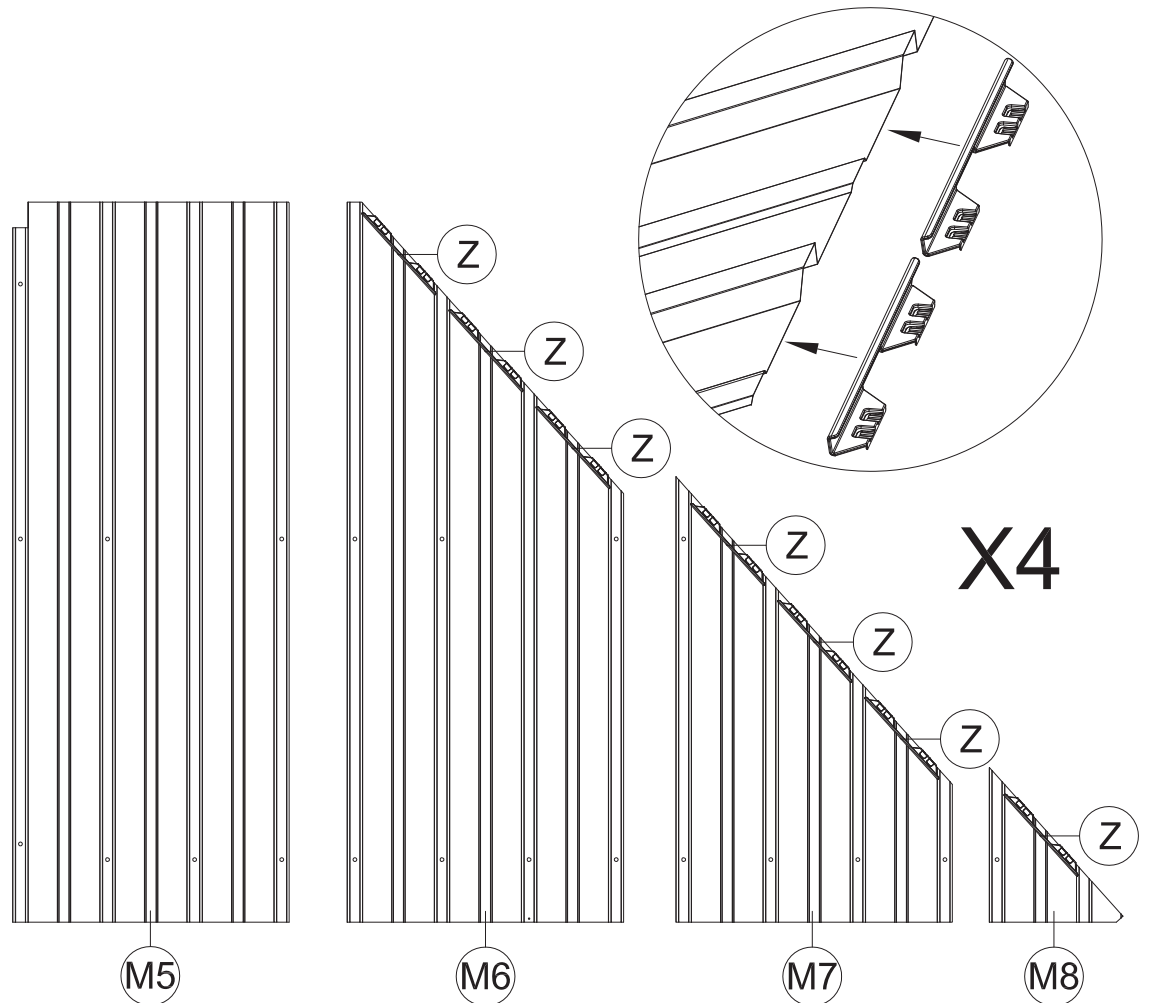
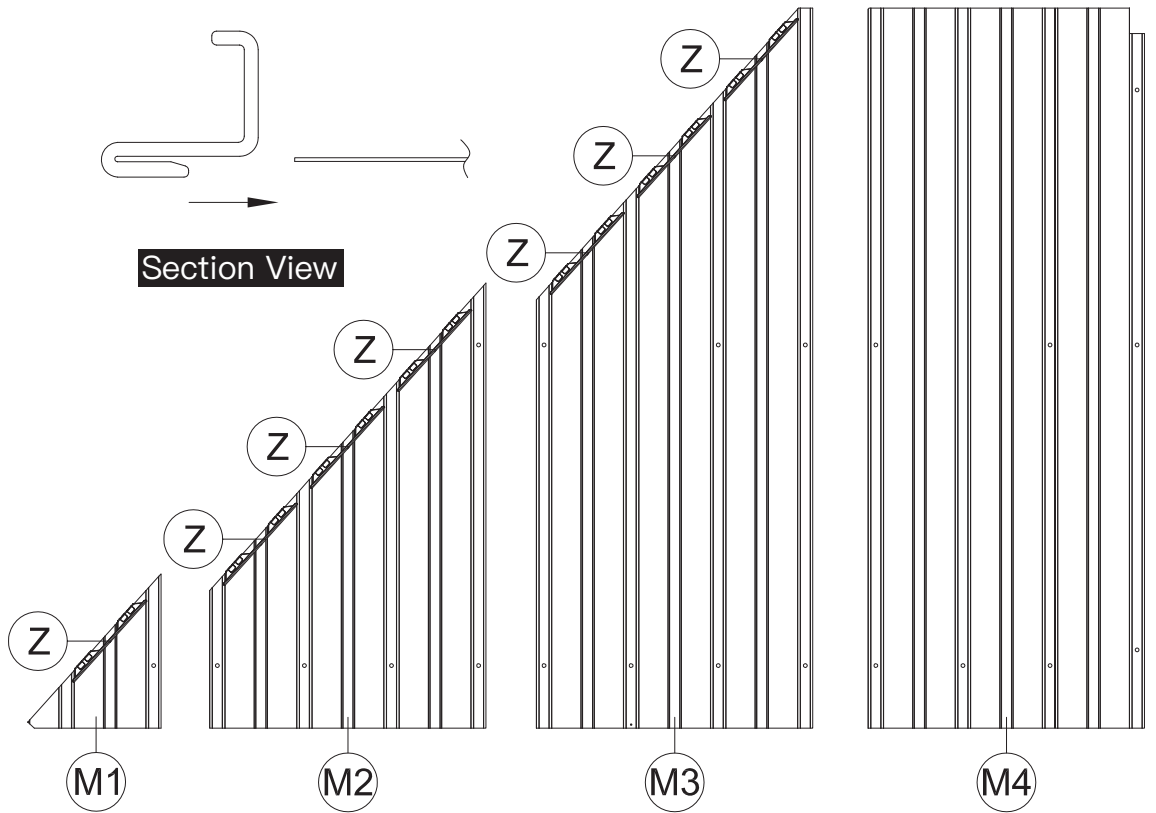
Outside View

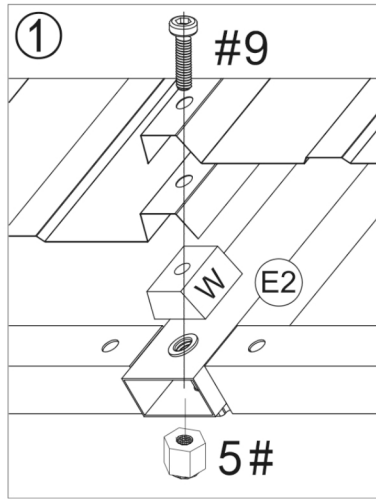


(2) Repeat the above procedures to assemble the other 3 corners.

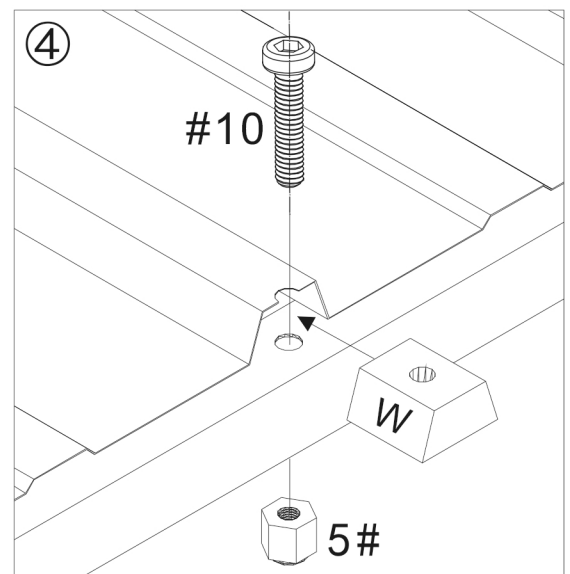
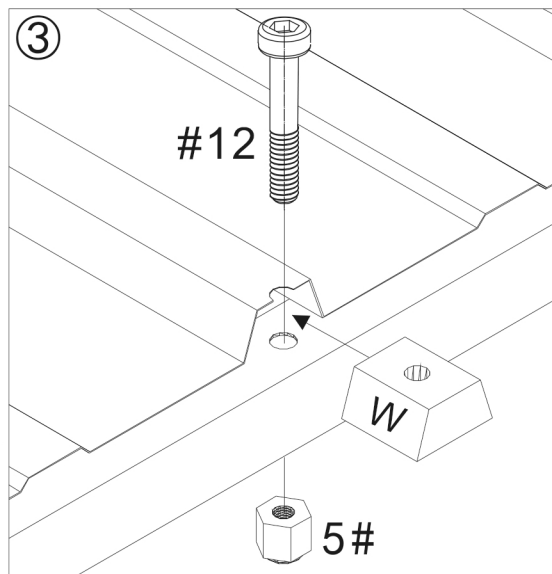
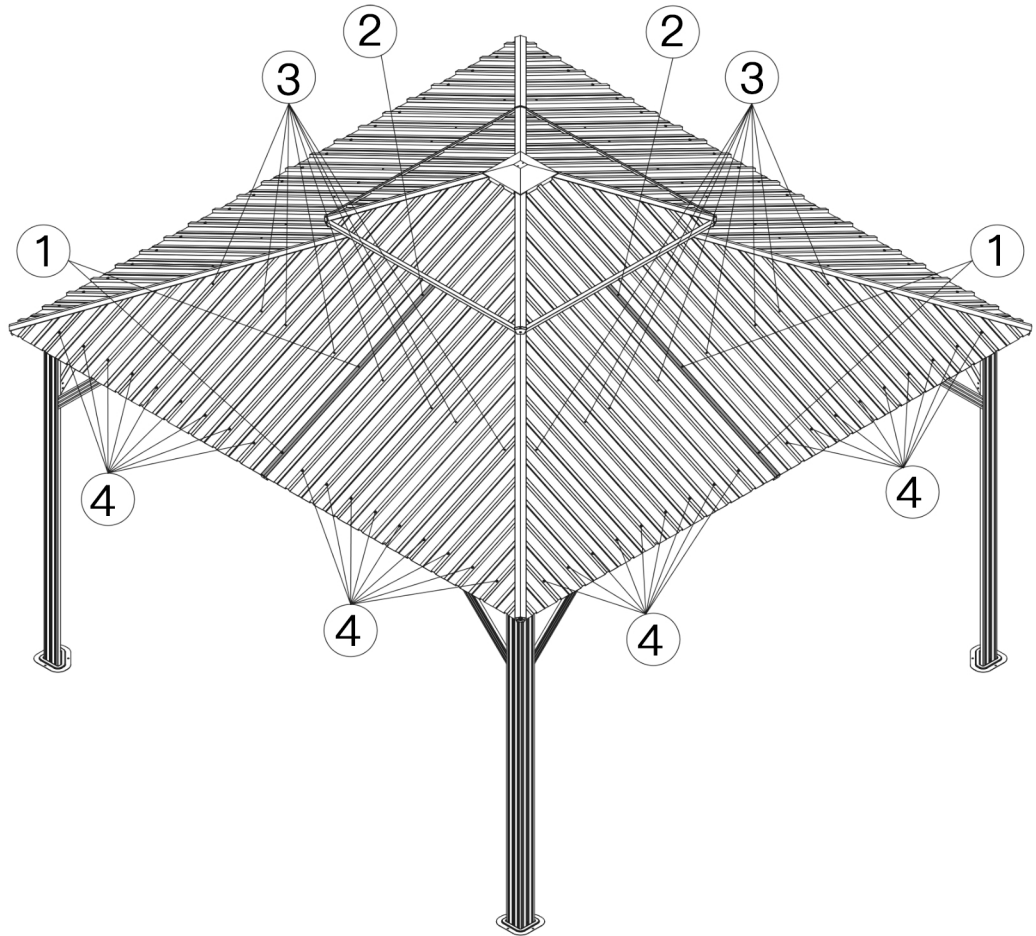
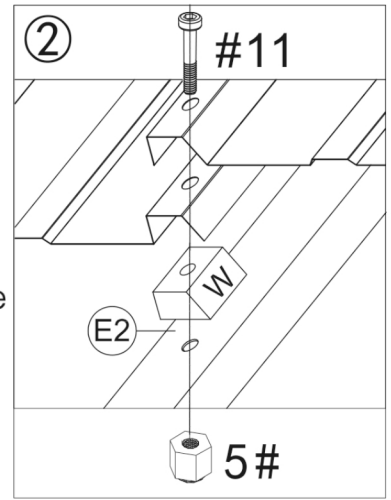
# Cover Part #Z to Roof Panels

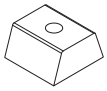
-  M1 4x
-  M2 4x
-  M3 4x
-  M4 4x
-  M5 4x
-  M6 4x
-  M7 4x
-  M8 4x
-  Z 56x



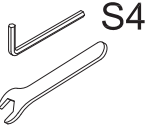


▲ Part #W should be inserted between roof panels and solidifying bar or beams, then secure with bolts and nuts.





W 12x



1 1x



M6

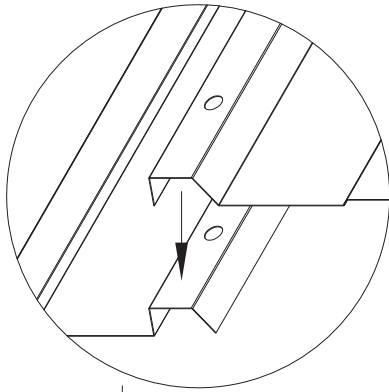
5 12x



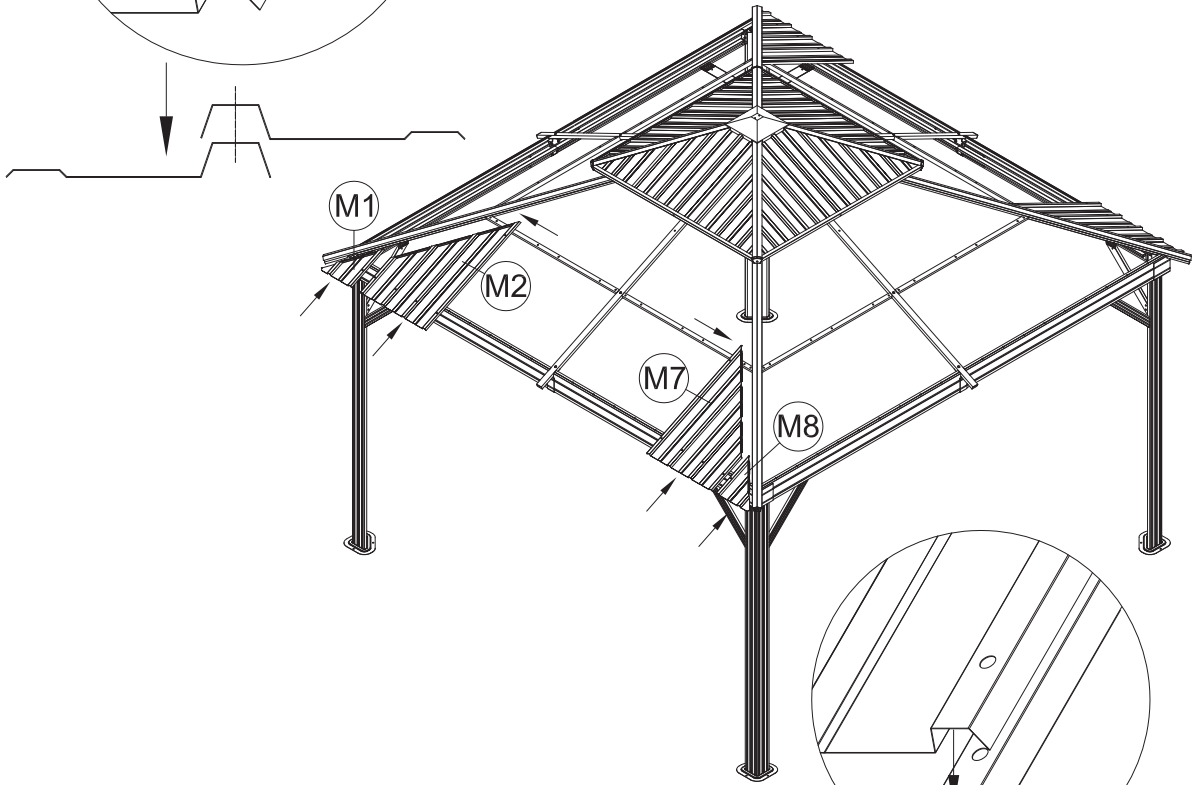
M6x28

10 12x

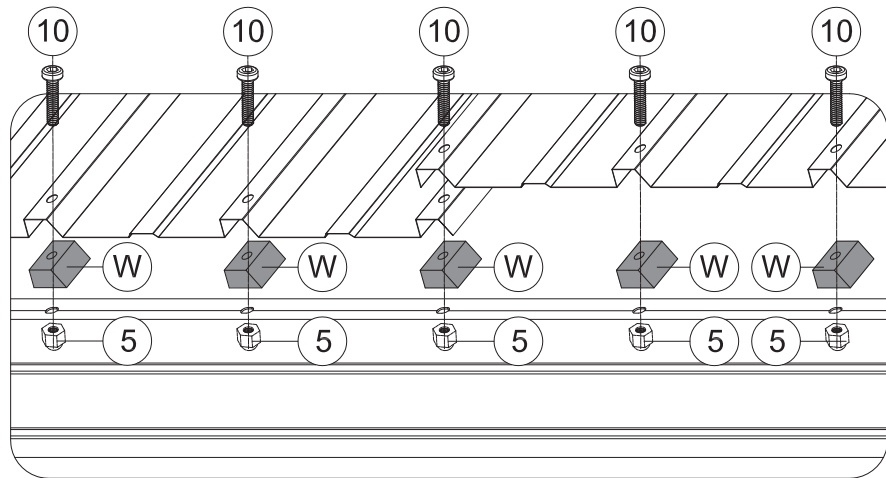
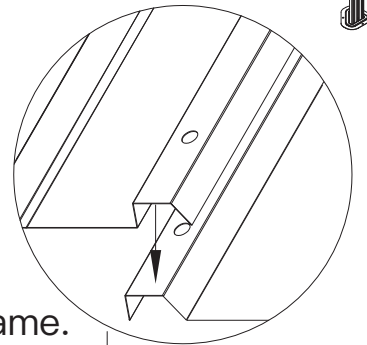
**ATTENTION: The bigger roof panel need to cover the smaller one.**



(1) Insert Part #M1 and Part #M2 into the frame.



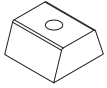
(2) Insert Part #M8 and Part #M7 into the frame.



(3) Place 6 Part #W between roof panels and beams. Then secure with 6 Bolts #10 and 6 Nuts #5.

(4) Repeat the above procedures to assemble the opposite side.

**ATTENTION: The bigger roof panel need to cover the smaller one.**



(W) 20x



(1) 1x



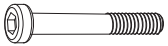
M6

(5) 20x



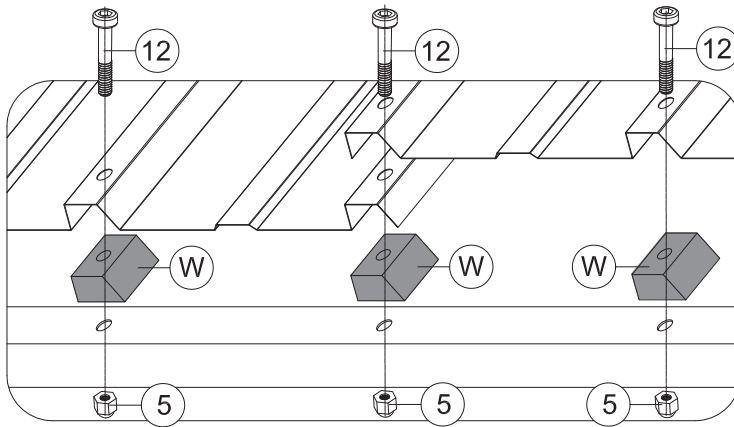
M6x28

(10) 12x



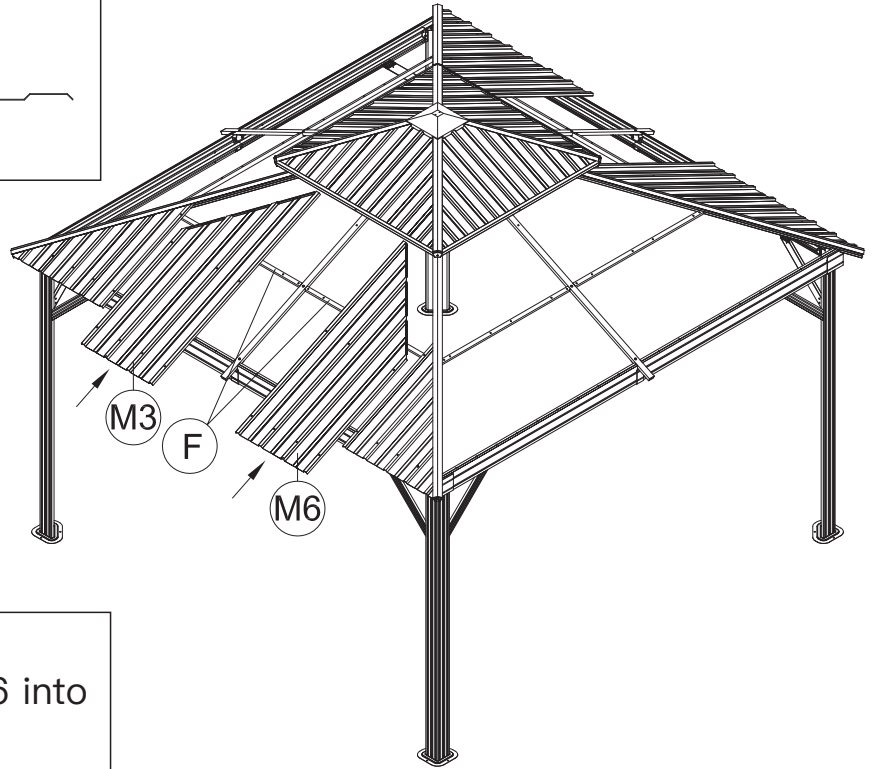
M6x50

(12) 8x

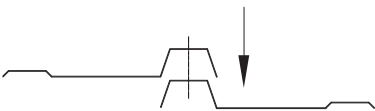


(3) Place 4 Part #W between roof panels and solidifying bars. Then secure with 4 Bolts #12 and 4 Nuts #5.

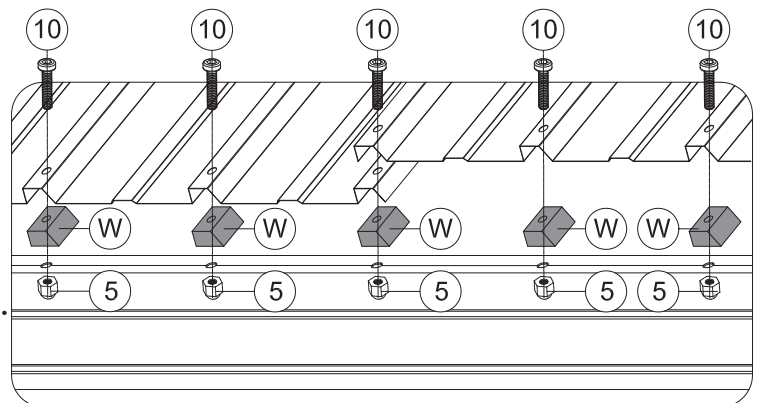
(1) Insert Part #M3 into the frame.



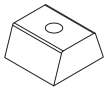
(2) Insert Part #M6 into the frame.



(4) Place 6 Part #W between roof panels and beams. Then secure with 6 Bolts #10 and 6 Nuts #5.



(5) Repeat the above procedures to assemble the opposite side.



W 24x

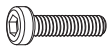


1 1x



M6

5 20x



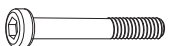
M6x25

9 4x



M6x28

10 12x

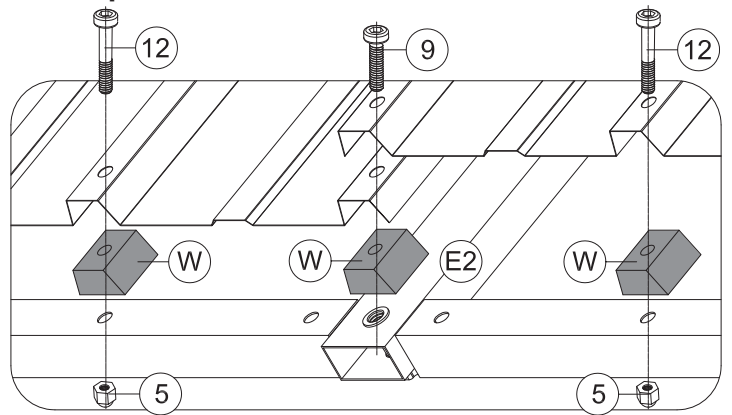
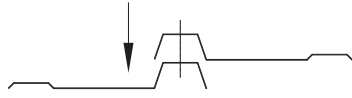


M6x50

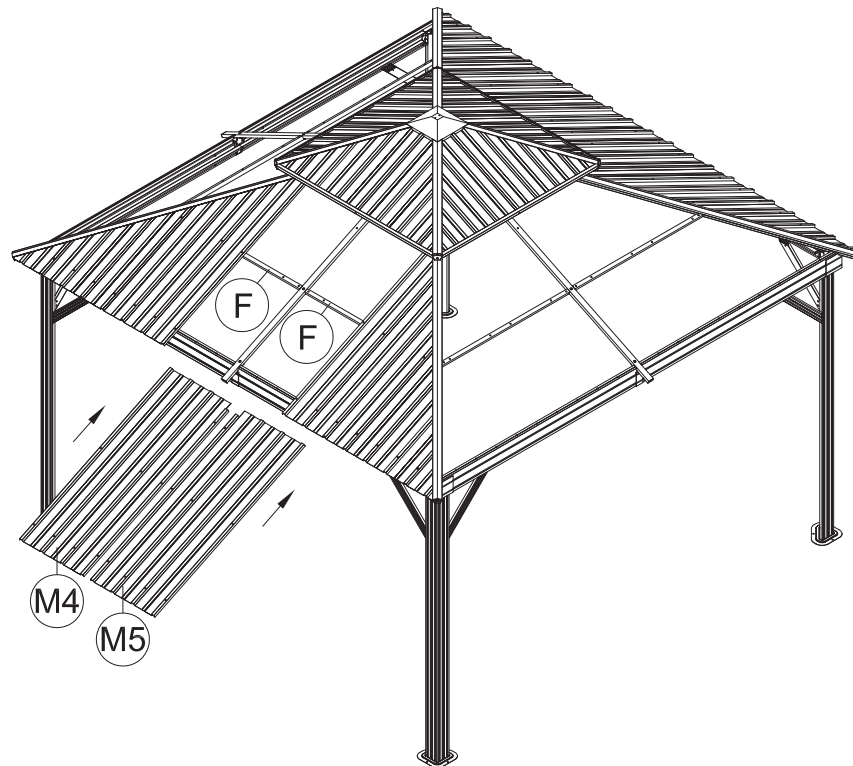
12 8x

**ATTENTION: The bigger roof panel need to cover the smaller one.**

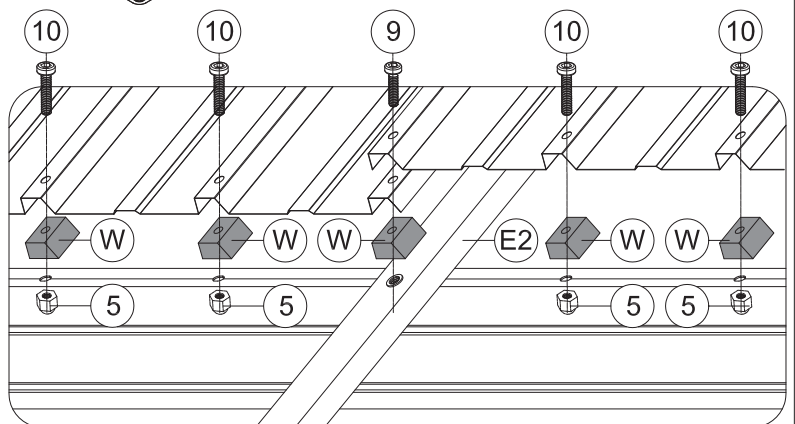
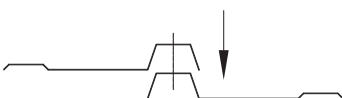
(1) Insert Part #M4 into the frame.



(3) Place 4 Part #W between roof panels and solidifying bars. Then secure with 4 Bolts #12 and 4 Nuts #5; Place 1 Part #W between roof panels and Part #E2. Then secure with 1 Bolt #9 and 1 Nut #5.

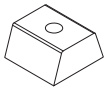


(2) Insert Part #M5 into the frame.



(4) Place 6 Part #W between roof panels and beams. Then secure with 6 Bolts #10 and 6 Nuts #5; Place 1 Part #W between roof panels and Part #E2. Then secure with 1 Bolt #9 and 1 Nut #5.

(5) Repeat the above procedures to assemble the opposite side.



W 12x



1 1x



M6

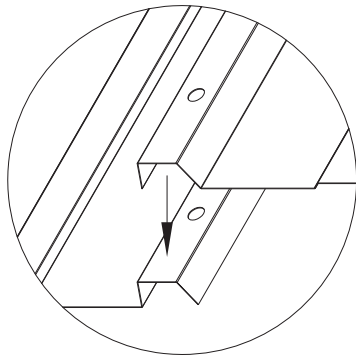
5 12x



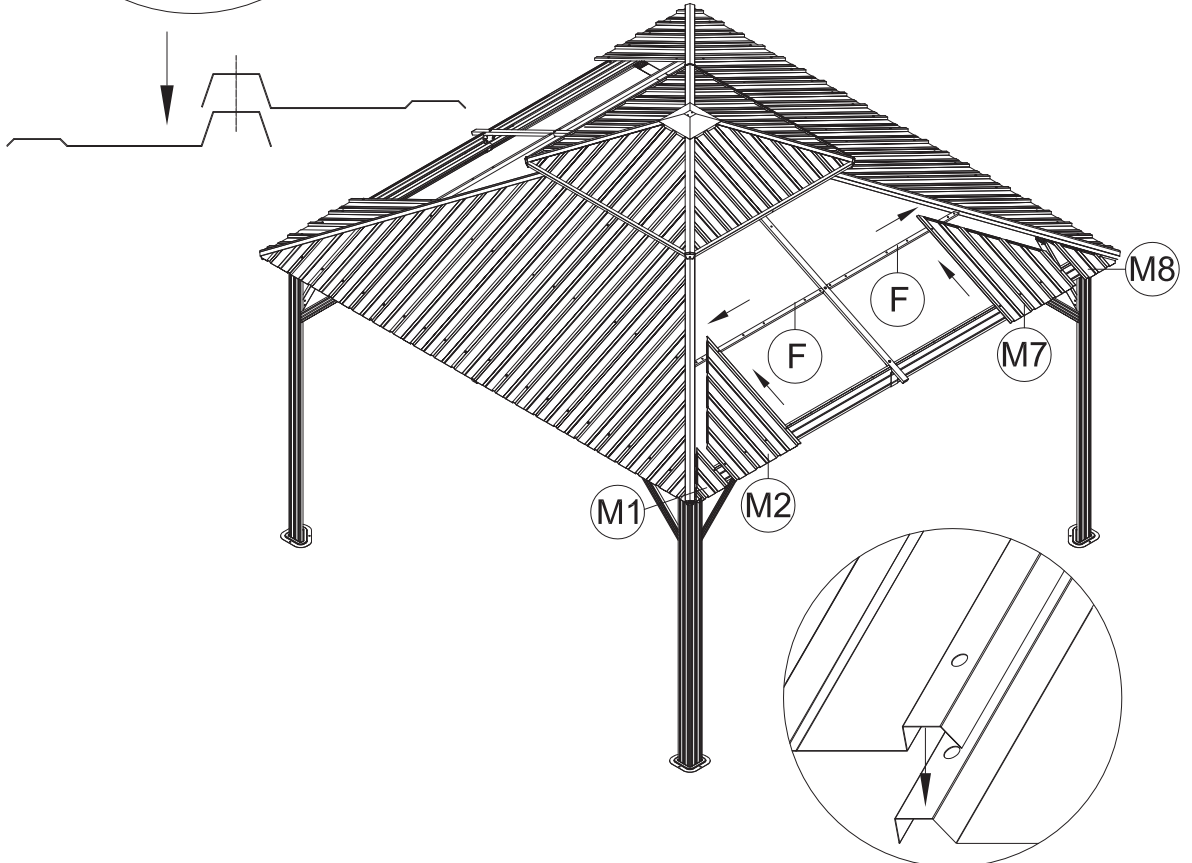
M6x28

10 12x

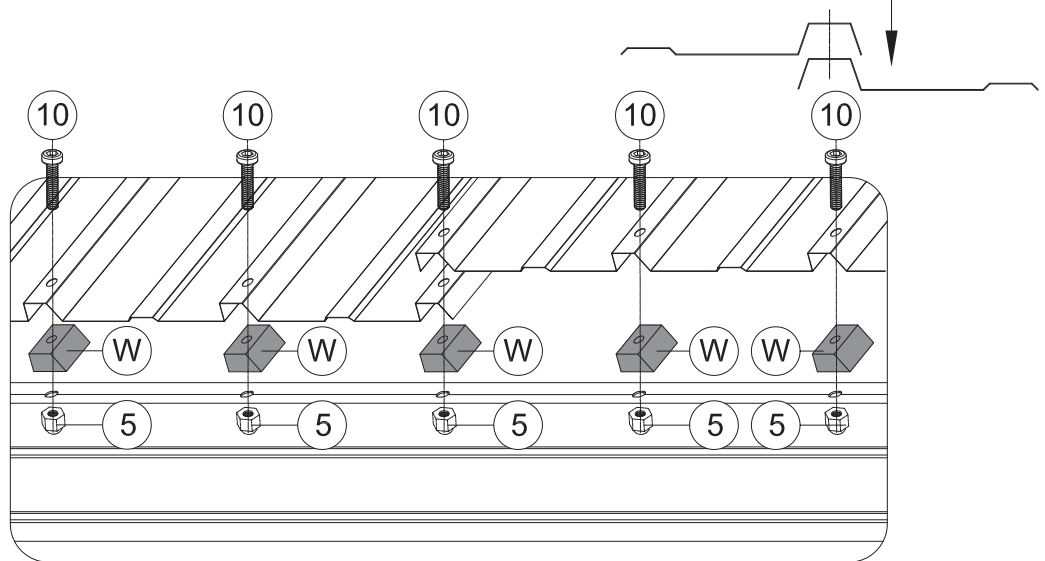
**ATTENTION: The bigger roof panel need to cover the smaller one.**



(1) Insert Part #M1 and Part #M2 into the frame.

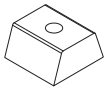


(2) Insert Part #M8 and Part #M7 into the frame.



(3) Place 6 Part #W between roof panels and beams. Then secure with 6 Bolts #10 and 6 Nuts #5.

(4) Repeat the above procedures to assemble the opposite side.



W 20x



1 1x



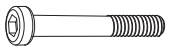
M6

5 20x



M6x28

10 12x

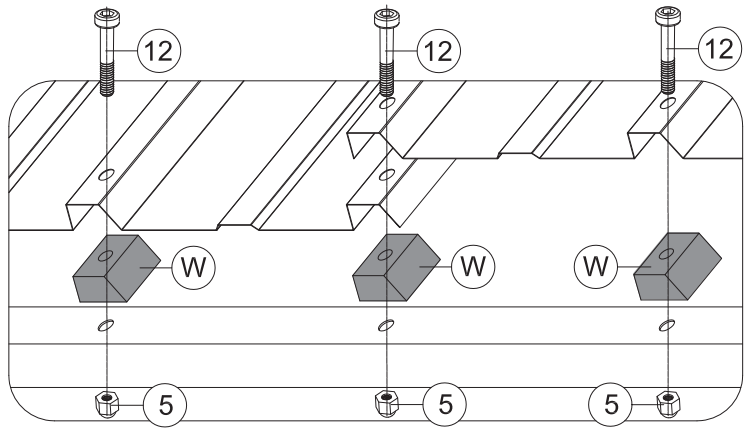


M6x50

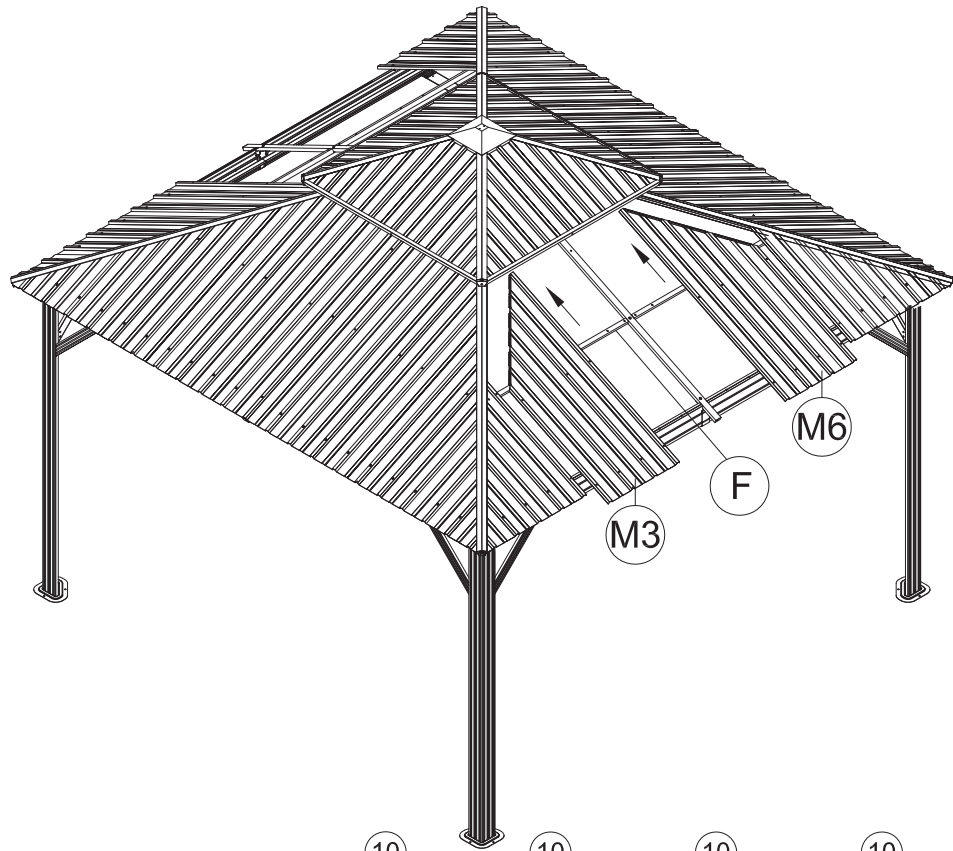
12 8x

**ATTENTION:** The bigger roof panel need to cover the smaller one.

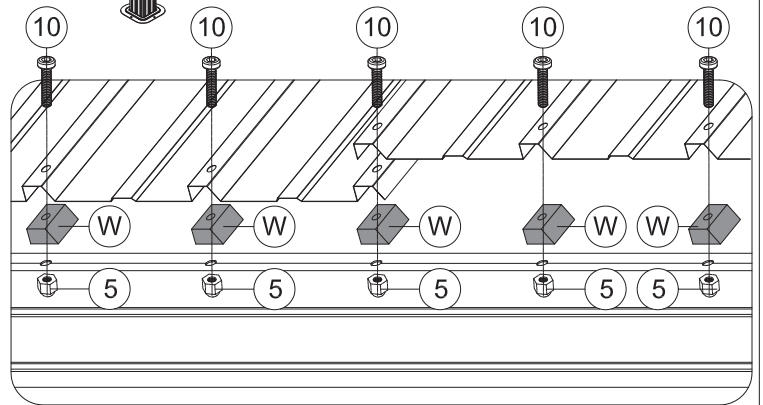
(1) Insert Part #M3 into the frame.



(3) Place 4 Part #W between roof panels and solidifying bars. Then secure with 4 Bolts #12 and 4 Nuts #5.



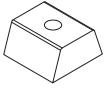
(2) Insert Part #M6 into the frame.



(4) Place 6 Part #W between roof panels and beams. Then secure with 6 Bolts #10 and 6 Nuts #5.

(5) Repeat the above procedures to assemble the opposite side.

**ATTENTION: The bigger roof panel need to cover the smaller one.**

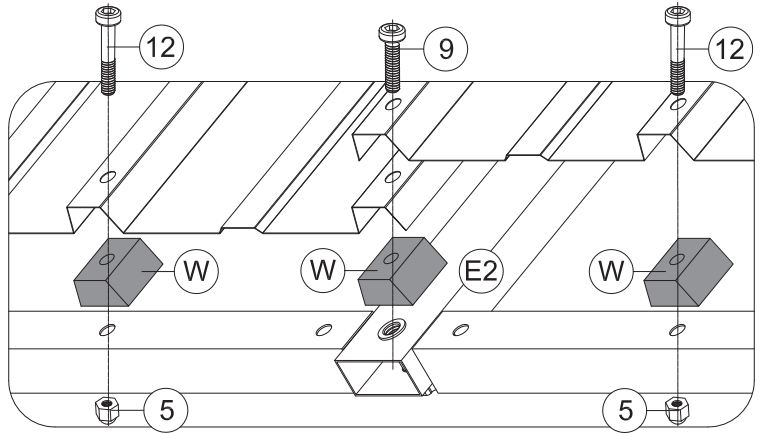
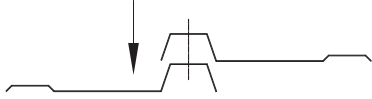


W 24x



1 1x

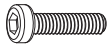
(1) Insert Part #M4 into the frame.



M6

5 20x

(3) Place 4 Part #W between roof panels and solidifying bars. Then secure with 4 Bolts #12 and 4 Nuts #5; Place 1 Part #W between roof panels and Part #E2. Then secure with 1 Bolt #9 and 1 Nut #5.



M6x25

9 4x



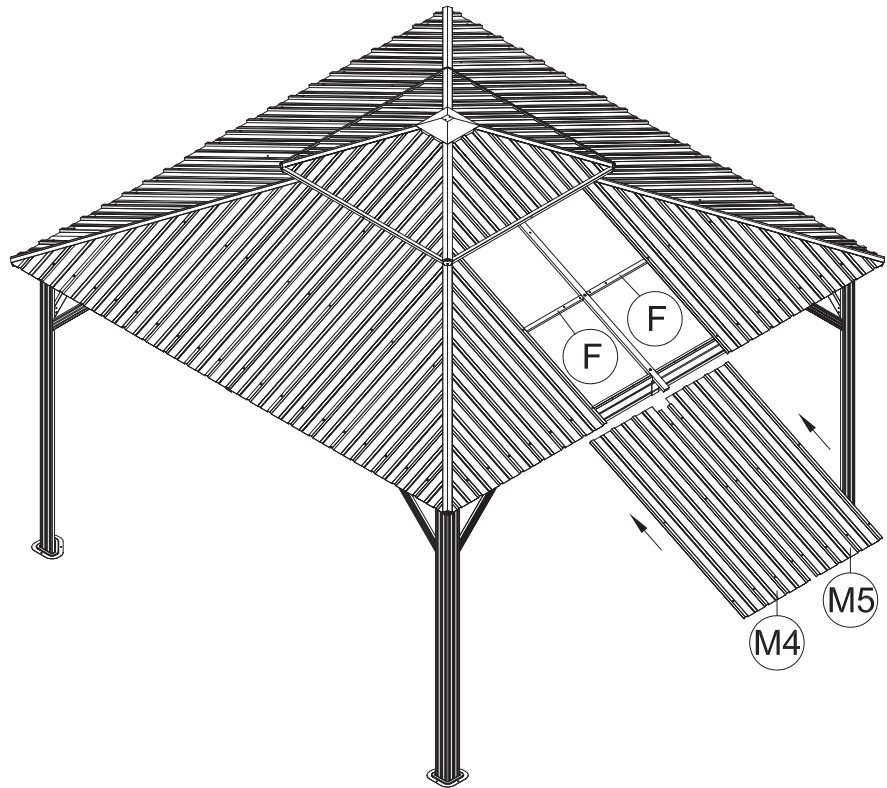
M6x28

10 12x

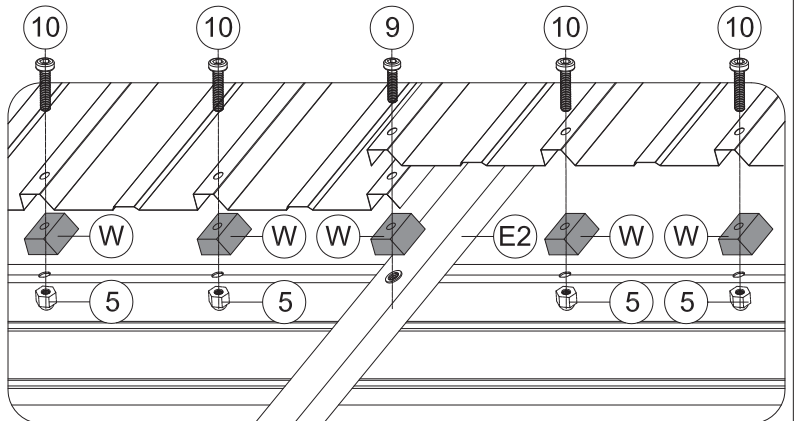
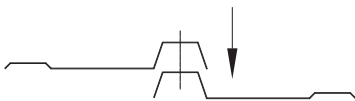


M6x50

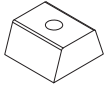
12 8x



(2) Insert Part #M5 into the frame.



(4) Place 6 Part #W between roof panels and beams. Then secure with 6 Bolts #10 and 6 Nuts #5; Place 1 Part #W between roof panels and Part #E2. Then secure with 1 Bolt #9 and 1 Nut #5.  
 (5) Repeat the above procedures to assemble the opposite side.



W 4x

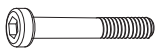


1 1x



M6

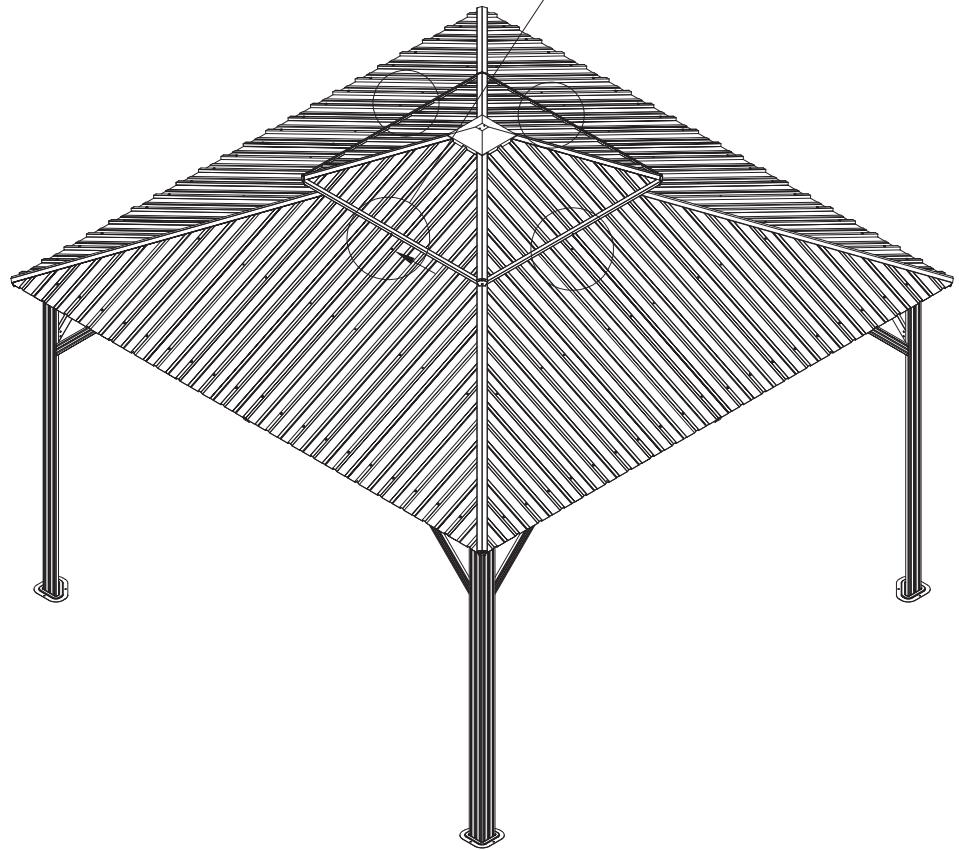
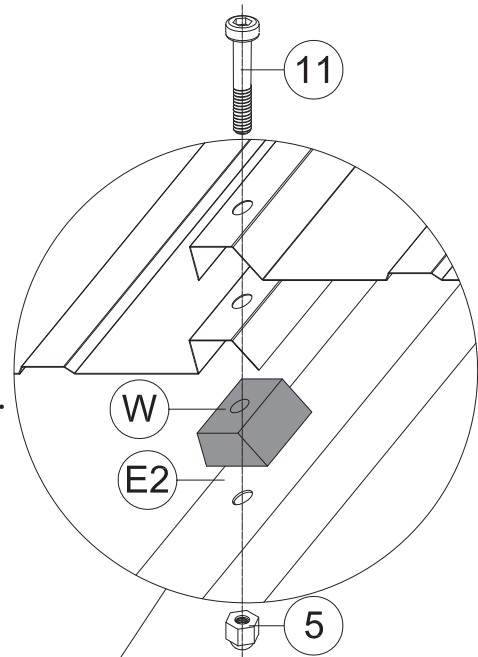
5 4x



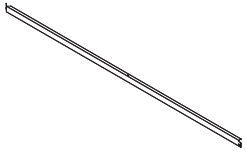
M6x45

11 4x

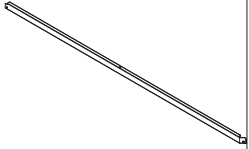
(1) Place Part #W between roof panels and Part #E2. Then secure with Bolt #11 and Nut #5.



(2) Repeat the above procedures to assemble the other 3 sides.



(K) 4x



(K1) 4x



(X2) 4x



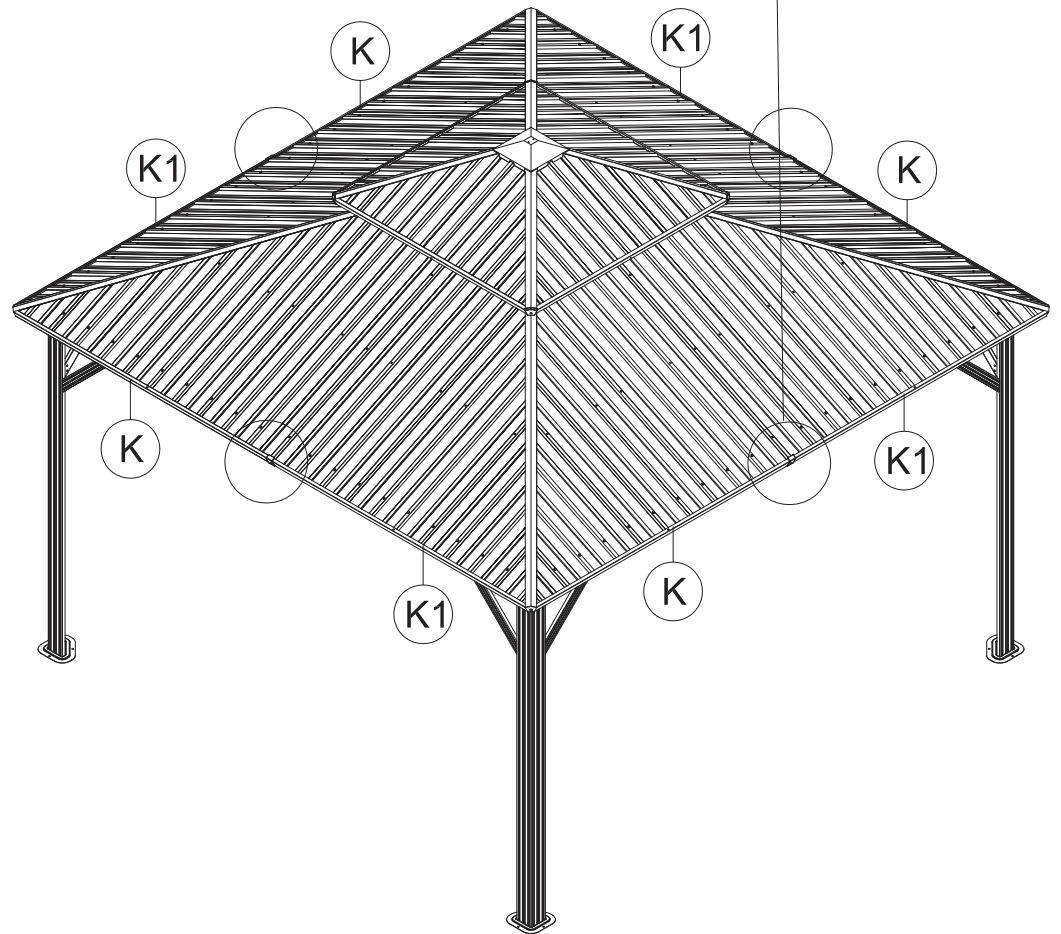
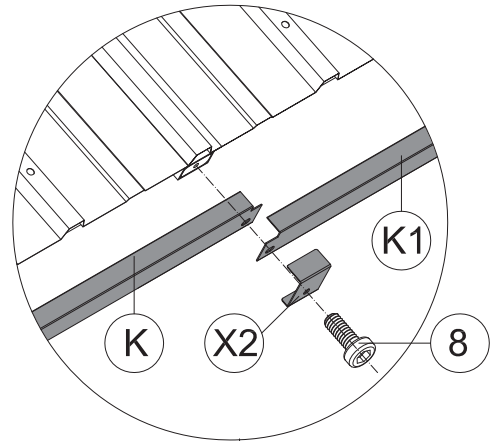
(1) 1x



M6x16

(8) 4x

(1) Place Part #K and Part #K1 on Part #E2; Put on Part #X2 and secure with Bolt #8.



(2) Repeat the above procedures to assemble the other 3 sides.



X3 4x

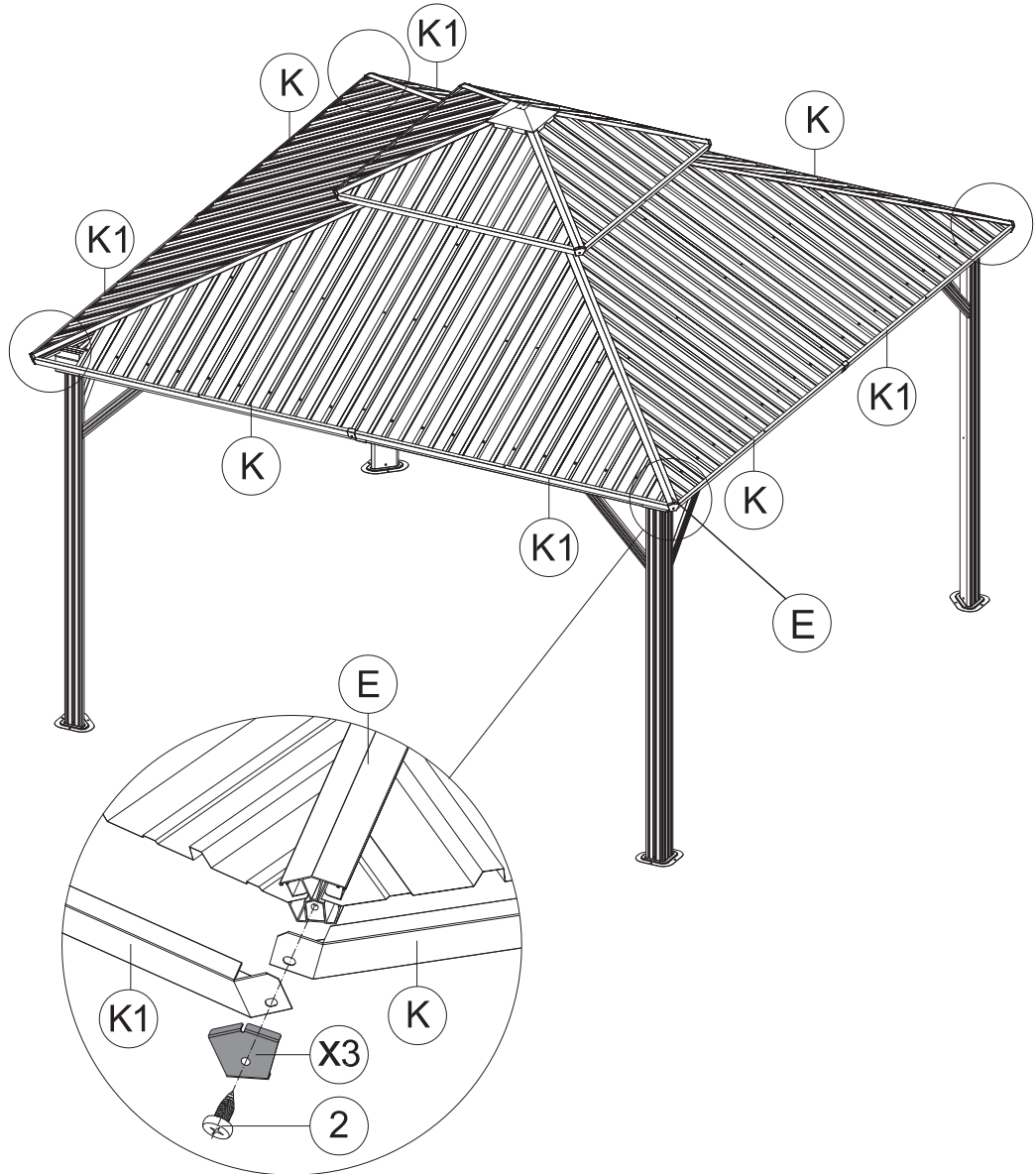


1 1x



ST6.3x15

2 4x



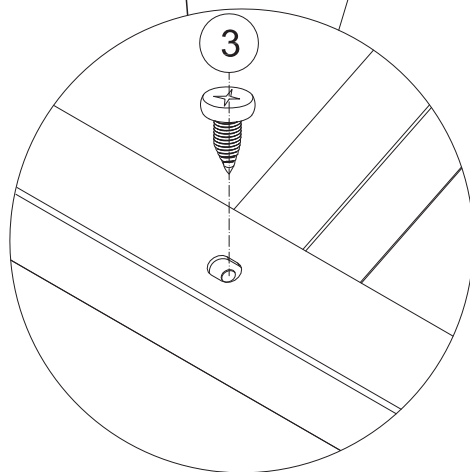
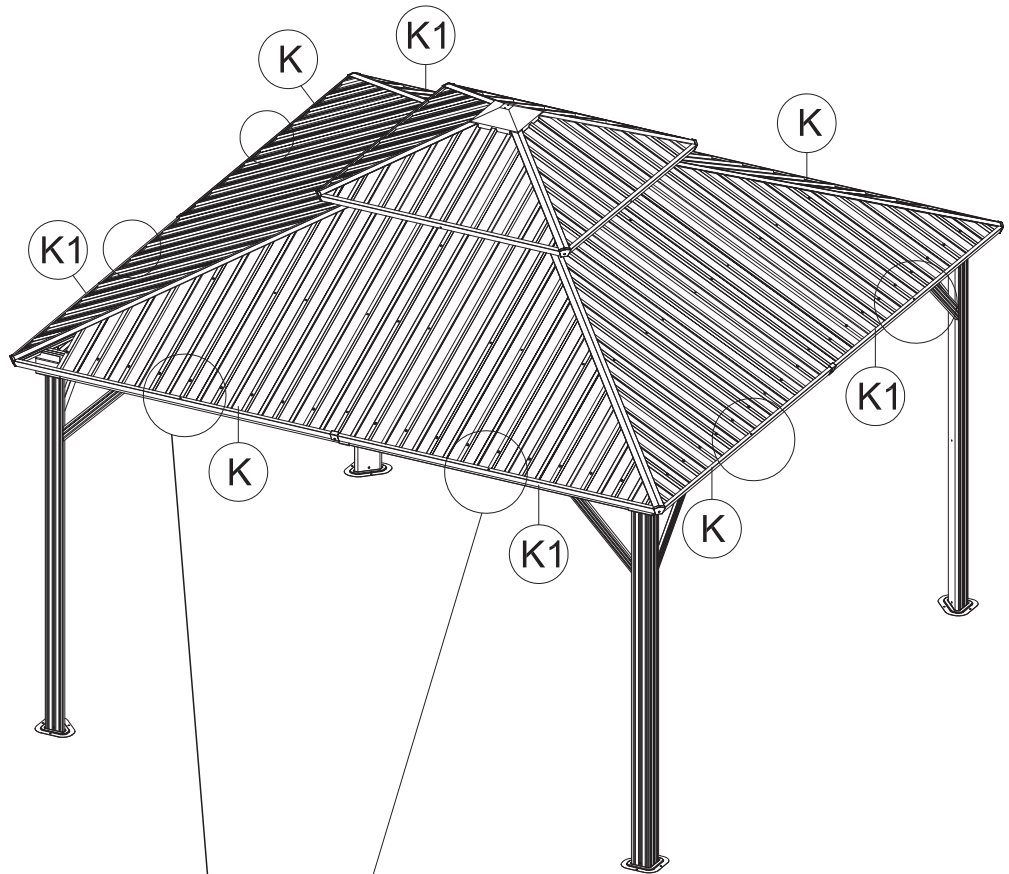
(1) Place Part #K1 and Part #K on Part #E; Put on Part #X3 and secure with Self-tapping Screw #2.

(2) Repeat the above procedures to assemble the other 3 corners.



ST5x16

3 8x

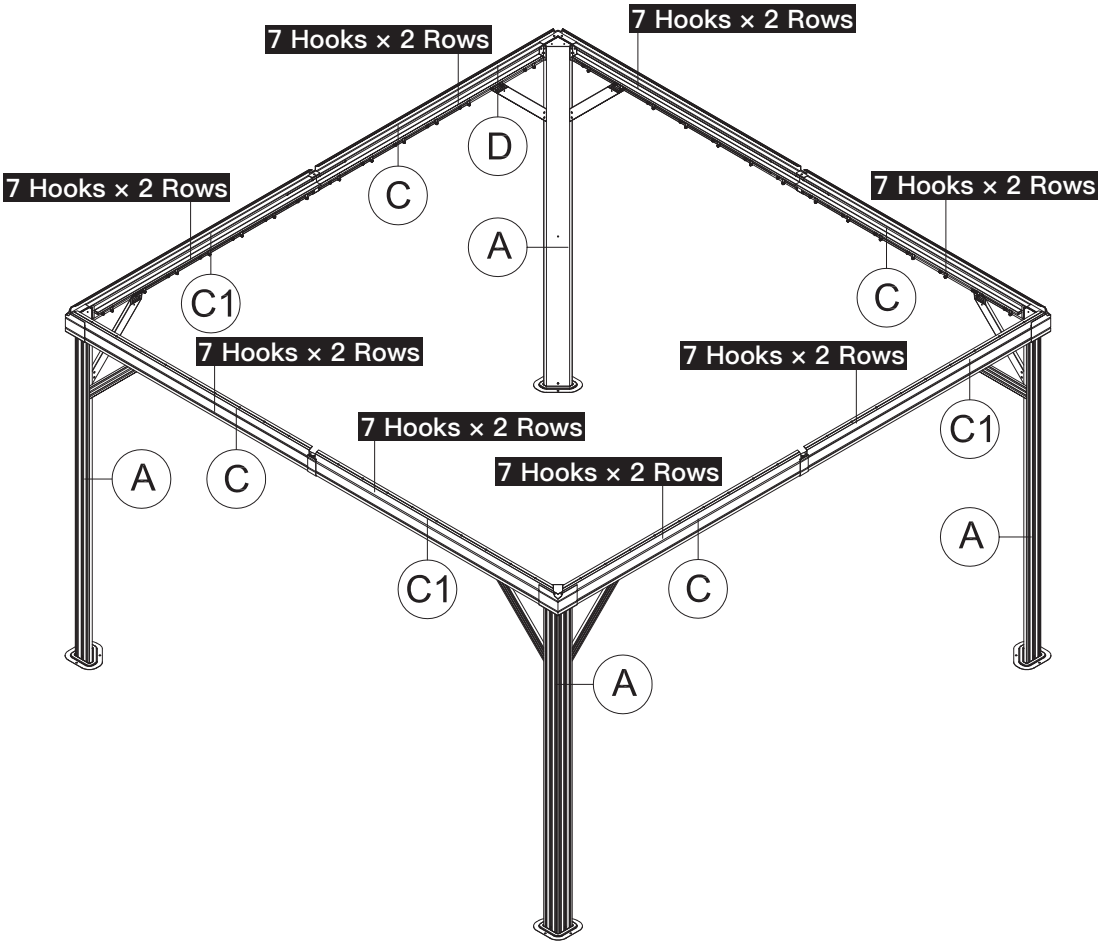
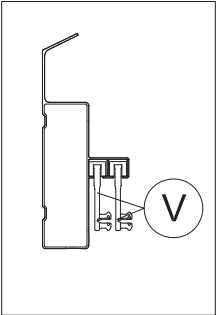






(1) Attach roof panels to finishing bars with 2 Self-tapping Screws #3.

(2) Repeat the above procedures to assemble the other 3 sides.

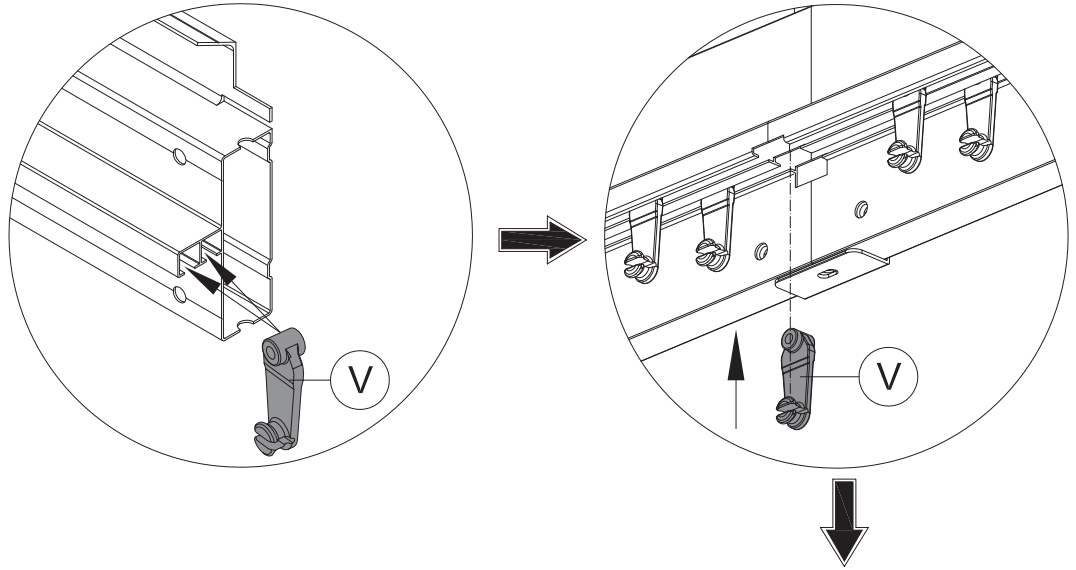
# How to Put the 112 Hooks into the Double-track

## Double-track

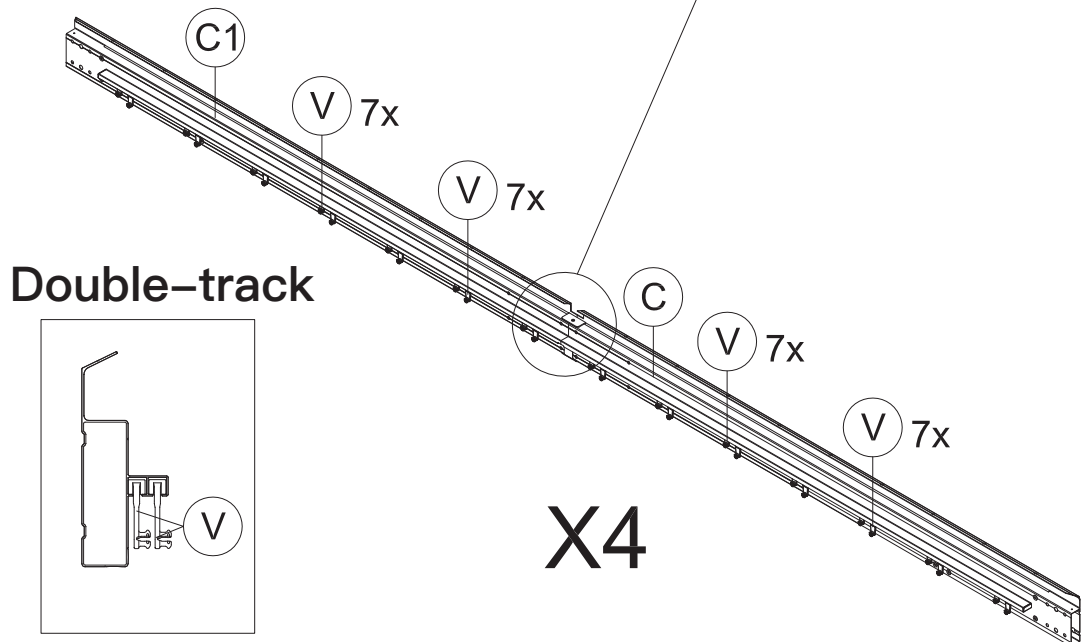
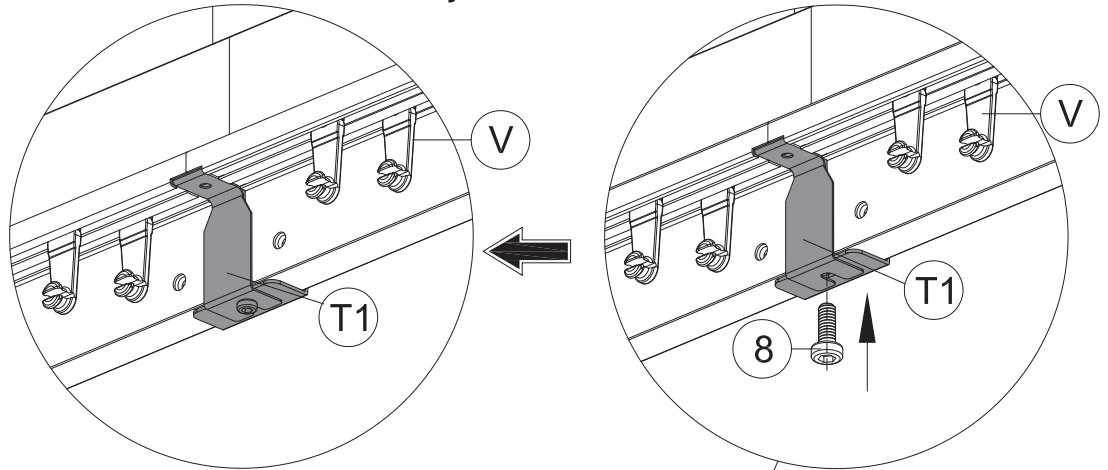


-  **T1** 4x
-  **V** 112x
-  **S4**
- 1** 1x
-  **M6x16**
- 8** 4x

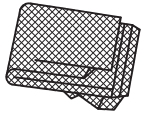
(1) Place 7 hooks on each slot of the Sidewall Track(C1&C).



(2) Install Part #T1 at the joint of Part C&C1 with Bolt #8.

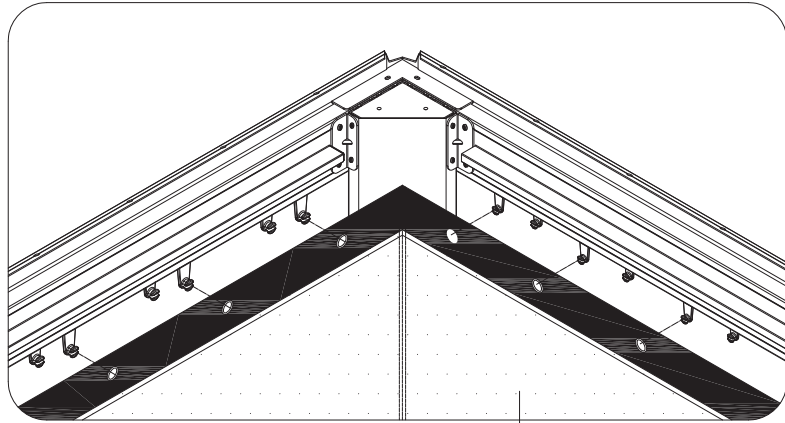


(3) Repeat the above procedures to assemble other 3 sides.

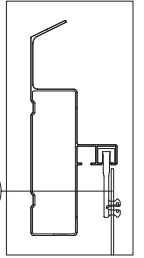


Y1 4x

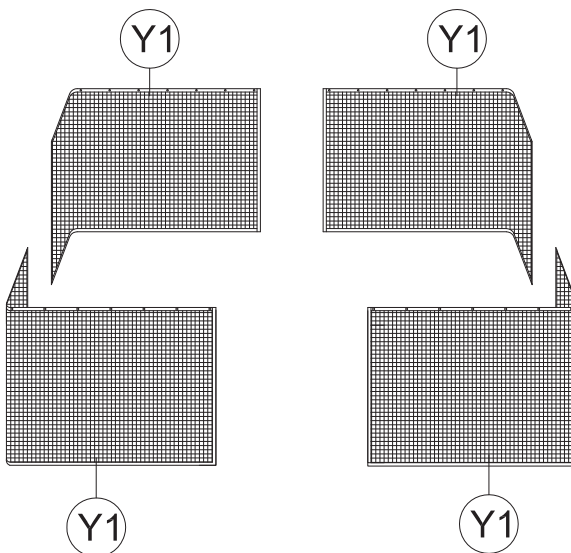
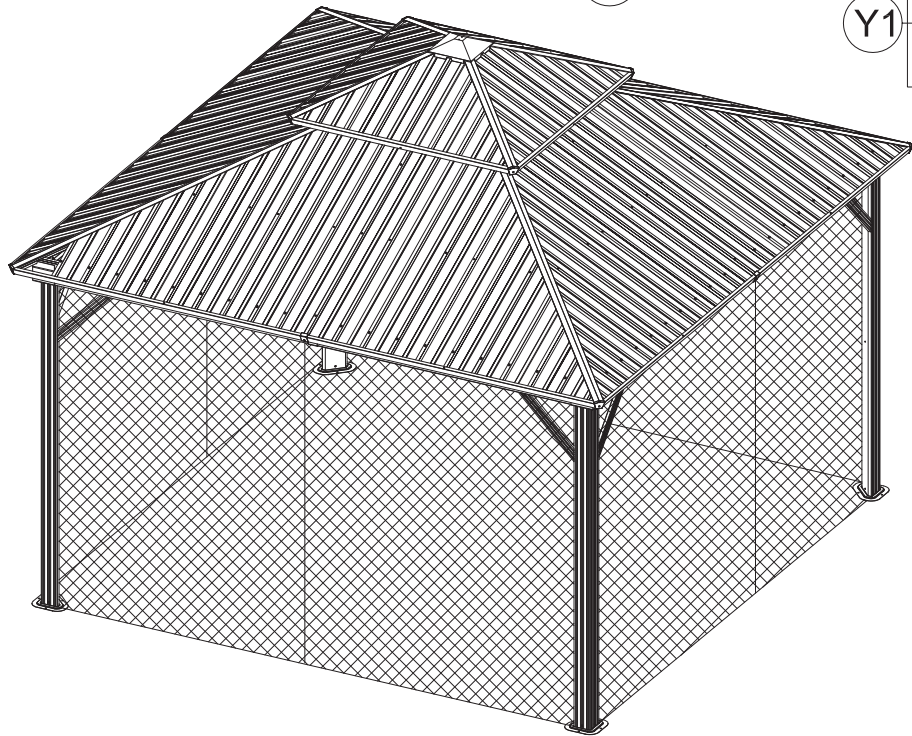
# Hang up Mosquito Sidewalls to **Inside Track**



Y1



Y1

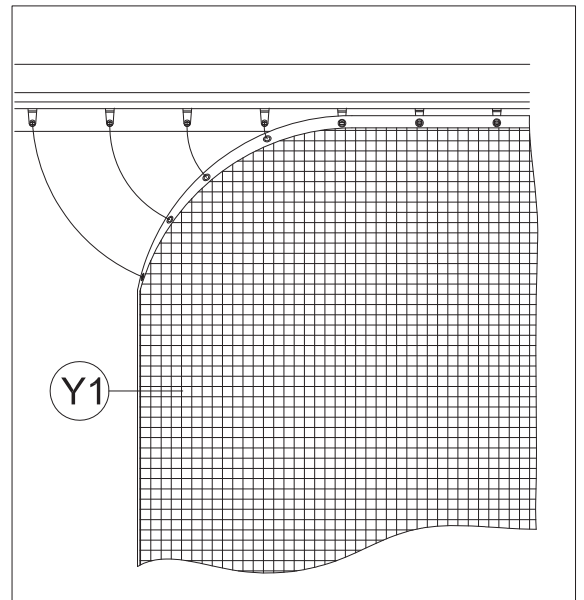


Y1

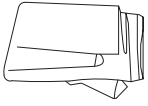
Y1

Y1

Y1

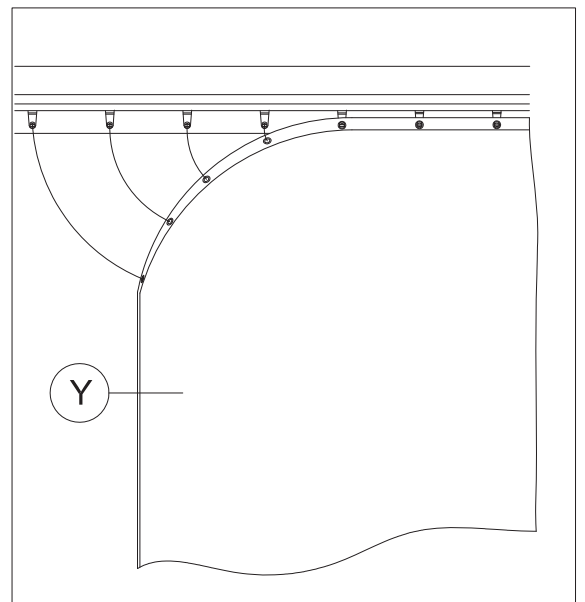
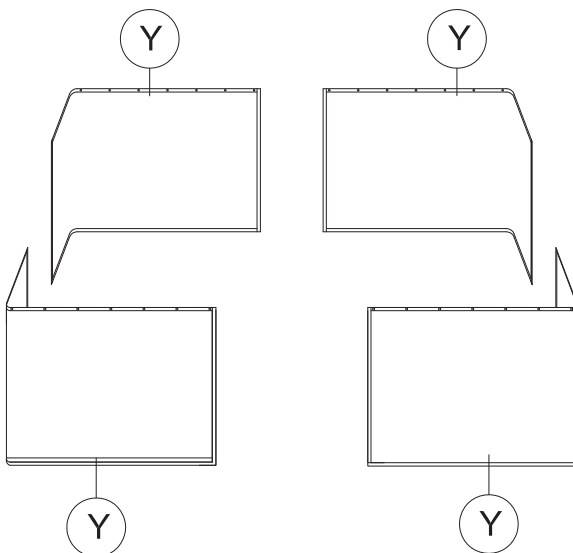
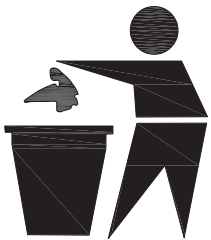
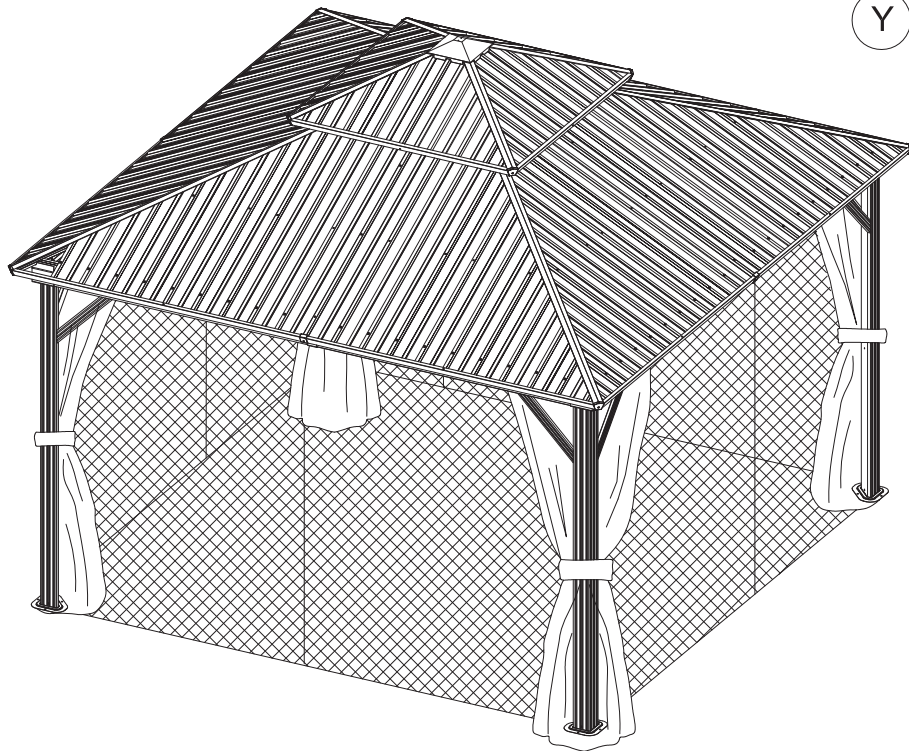
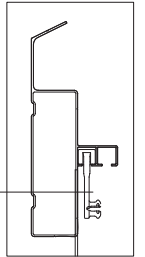
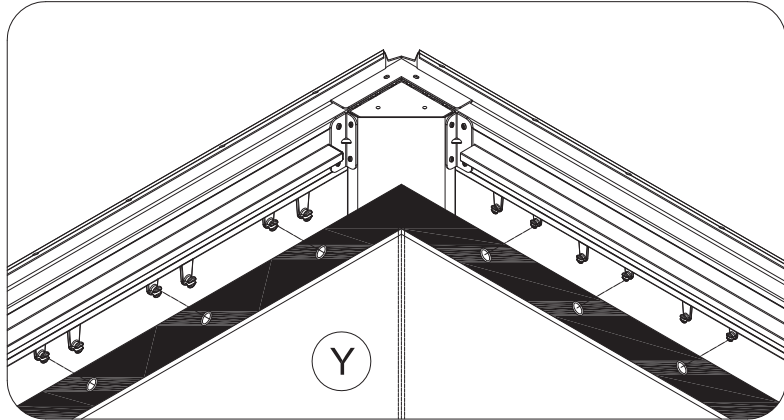


Y1



Y 4x

# Hang up Solid Sidewalls to **Outside Track**





RESORT COMFORT IN YOUR  
OWN BACKYARD

## Thanks for your purchase.

At domi outdoor living, we believe in our products.

That's why we provide a 12-month warranty and

friendly, easy-to-reach after-sales service. So if you

have any questions about our product and assembly-

, please feel free to contact us. We will be here for you.

**Support:**  

email: [domiservice01@outlook.com](mailto:domiservice01@outlook.com)

Please tell us your order ID when contact.

Attach photos of damaged part for instant reply.