

## NOTICE

- \* Please make sure that you have all parts indicated and they are in good condition before you begin assembly of this item. Refer to part list and hardware list below for guidance.
- \* This item should be assembled on a soft surface to prevent scratching the finish during assembly.
- \* This item may require periodic tightening.
- \* If you are having difficulty, our friendly Customer Care team is always here to help. Please email [customersupport@safavieh.com](mailto:customersupport@safavieh.com)






## PREPARATION

- \* Before beginning assembly of product, make sure all parts are present. Compare parts with part contents list and hardware contents list.
- \* If any part is missing or damaged, do not attempt to assemble the product.
- \* Estimated assembly time: 15-20 Minutes
- \* Require 1-2 person for assembly.
- \* Tools Required for Assembly (included): Allen Key

## CARE AND MAINTENANCE

Always use felt pads under all article to prevent discoloration or softening of the lacquer. Plastic and rubber bases on items can discolor product. Wipe up spills immediately and avoid common hazards such as hot dishes, harsh solvents and abrasives. Cleaning should be done with a soft lint free cotton cloth dampened with water or furniture polish. On highly used surfaces we recommend applying a quality paste wax which should be used on a regular basis to provide additional spills. How often you apply the wax depends on how much wear the furniture receives.

## CARE AND MAINTENANCE

| Piece | Description        | Picture   | Quantity |
|-------|--------------------|---|----------|
| A     | Ceramic top        |  | 1x       |
| B     | Wooden Legs        |  | 2x       |
| HW1   | JCB Bolt 15x5x30mm |  | 10x      |
| HW2   | Flat Washer 25mm   |  | 10x      |
| HW3   | Allen Key          |  | 1x       |

# SAFAVIEH FURNITURE

ITEM ID - COF2901

PRODUCT DIMENSION - 31.50x31.50x15.50"



**⚠WARNING⚠**

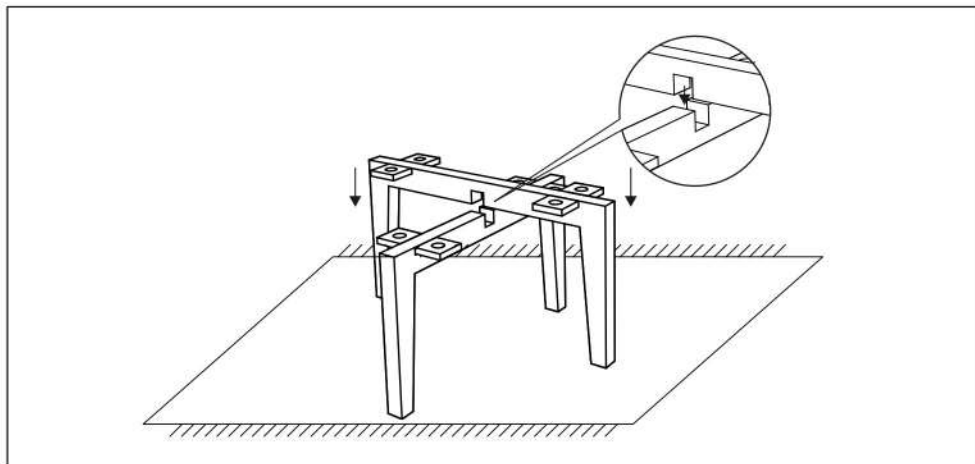
Weight Capacity : 5 lbs

WARNING : DO NOT STAND COFFEE TABLE

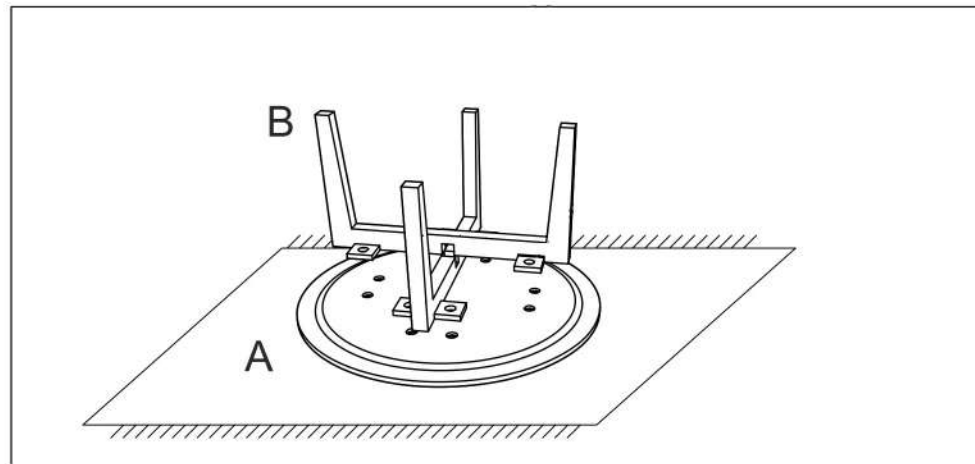
WARNING : DO NOT OVER TORQUE BOLTS/SCREWS

# PREPARATION

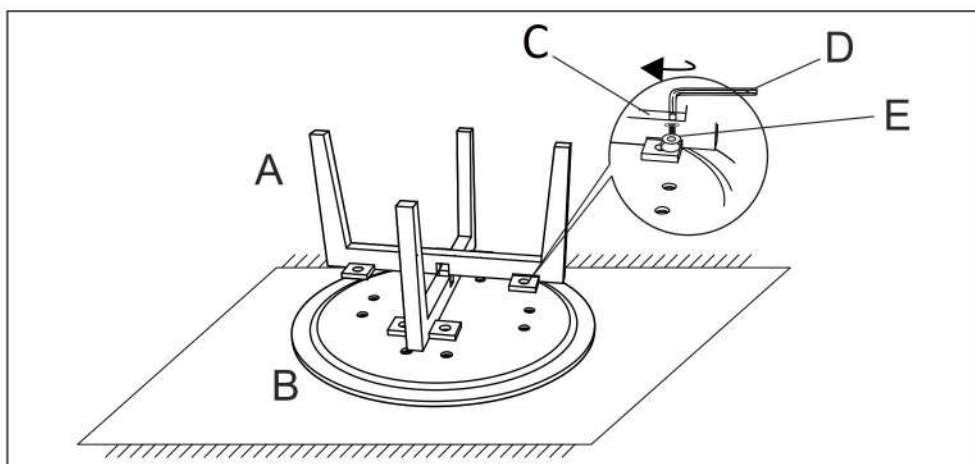
- \* Before beginning assembly of product, make sure all parts are present. Compare parts with part contents list and hardware contents list.
- \* If any part is missing or damaged, do not attempt to assemble the product.
- \* Estimated Assembly time : 15-20 minutes.
- \* Tools Required for Assembly (included): Allen Key
- \* Please remove lamination sheet from the ceramic top before use the product
- \* If you are having difficulty, our friendly Customer Care team is always here to help. Please email [customersupport@safavieh.com](mailto:customersupport@safavieh.com)



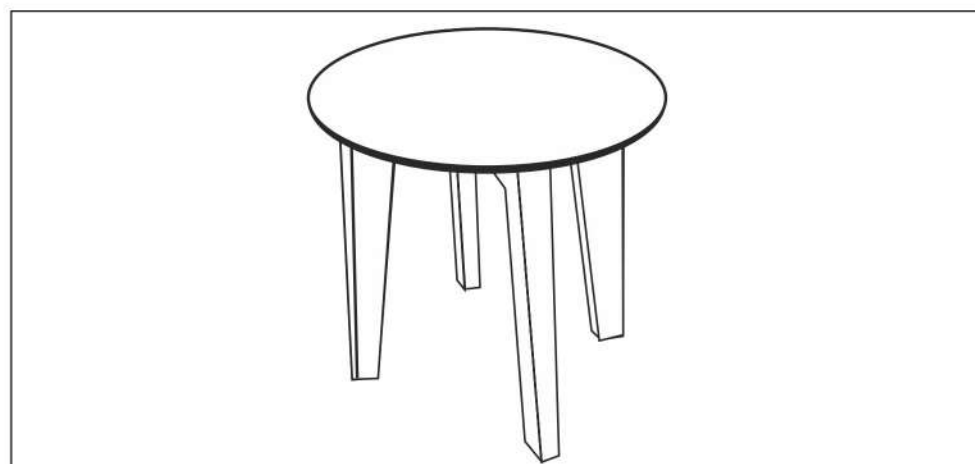
**Step 1: Insert the legs in each other to make complete base**



**Step 2: Position wooden legs B over the bottom of Ceramic top A. Ensure that the attachment points on Base B align with the corresponding points on Ceramic top A.**



**Step 3: Using the JCB Bold (HW1), attach Ceramic top A and legs B. You'll need an Allen Key for this step. Insert the Allen Key into the screw head and turn clockwise until tight. Be careful not to overtighten as this could damage the Ceramic or the wood.**



**Step 4: Once Legs B is securely attached to Ceramic top A, carefully turn the assembly right side up. You may need assistance for this step due to the weight of the Ceramic.**