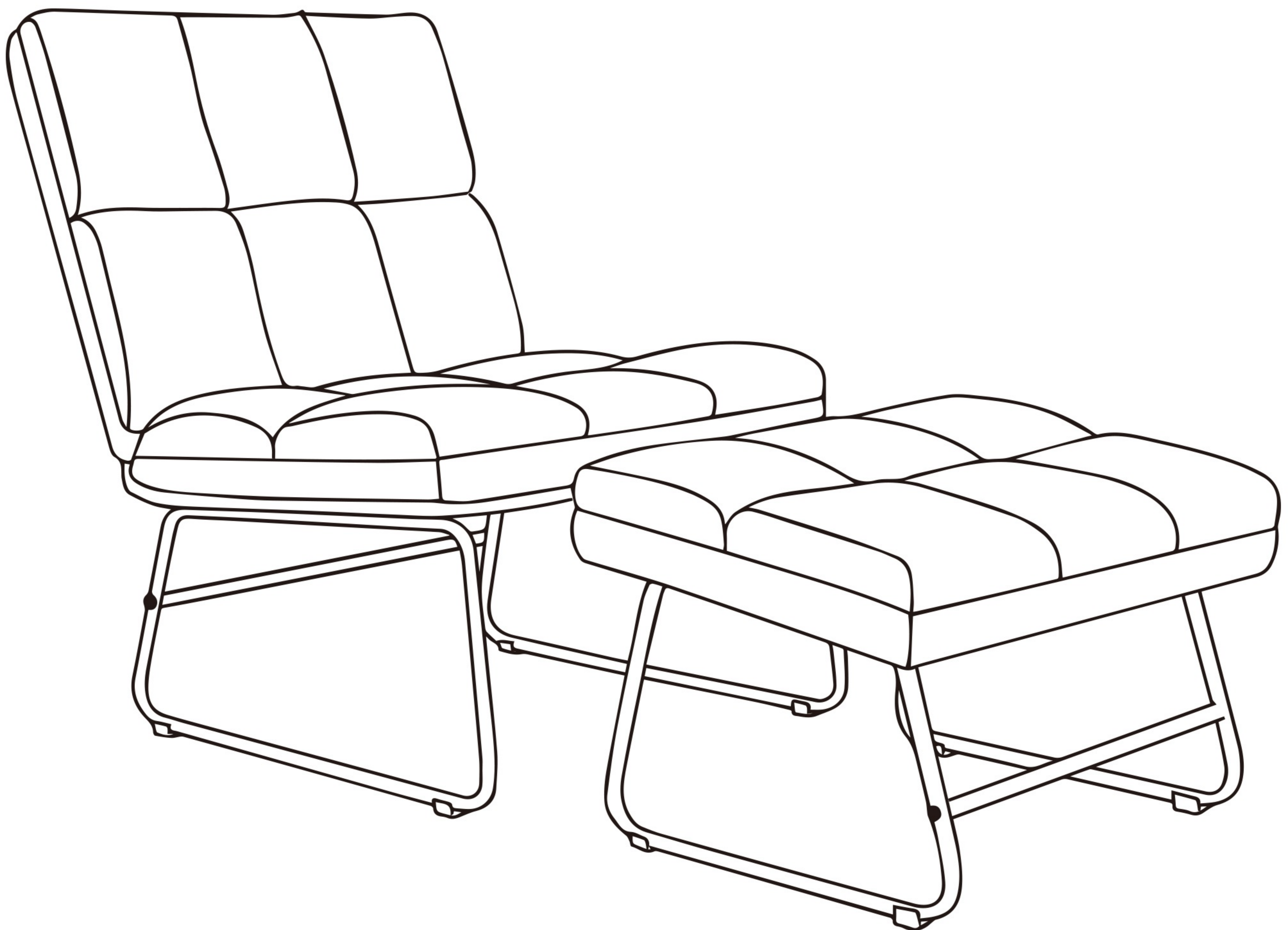


# ACCENT CHAIR

with OTTOMAN



# CONGRATULATIONS!

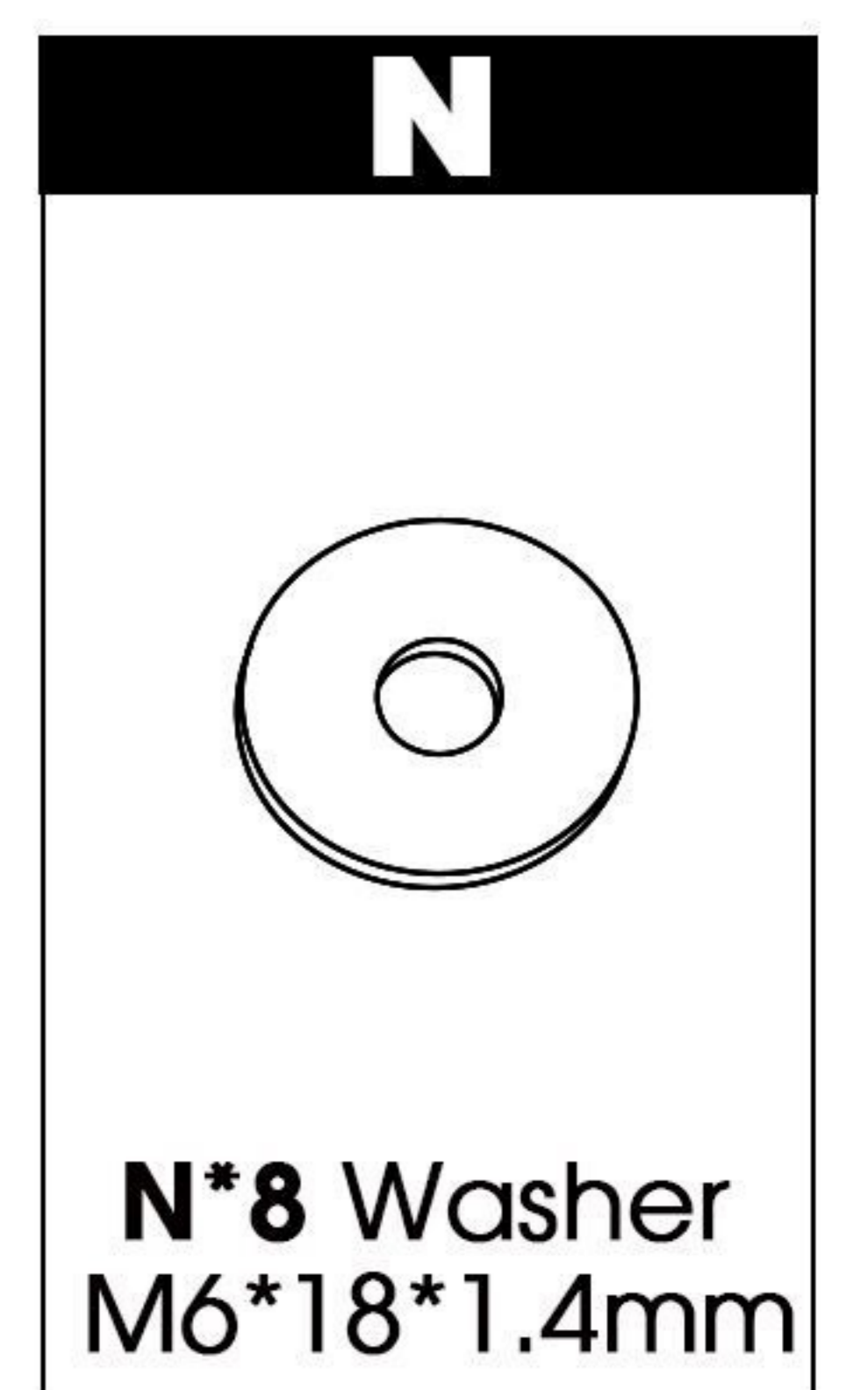
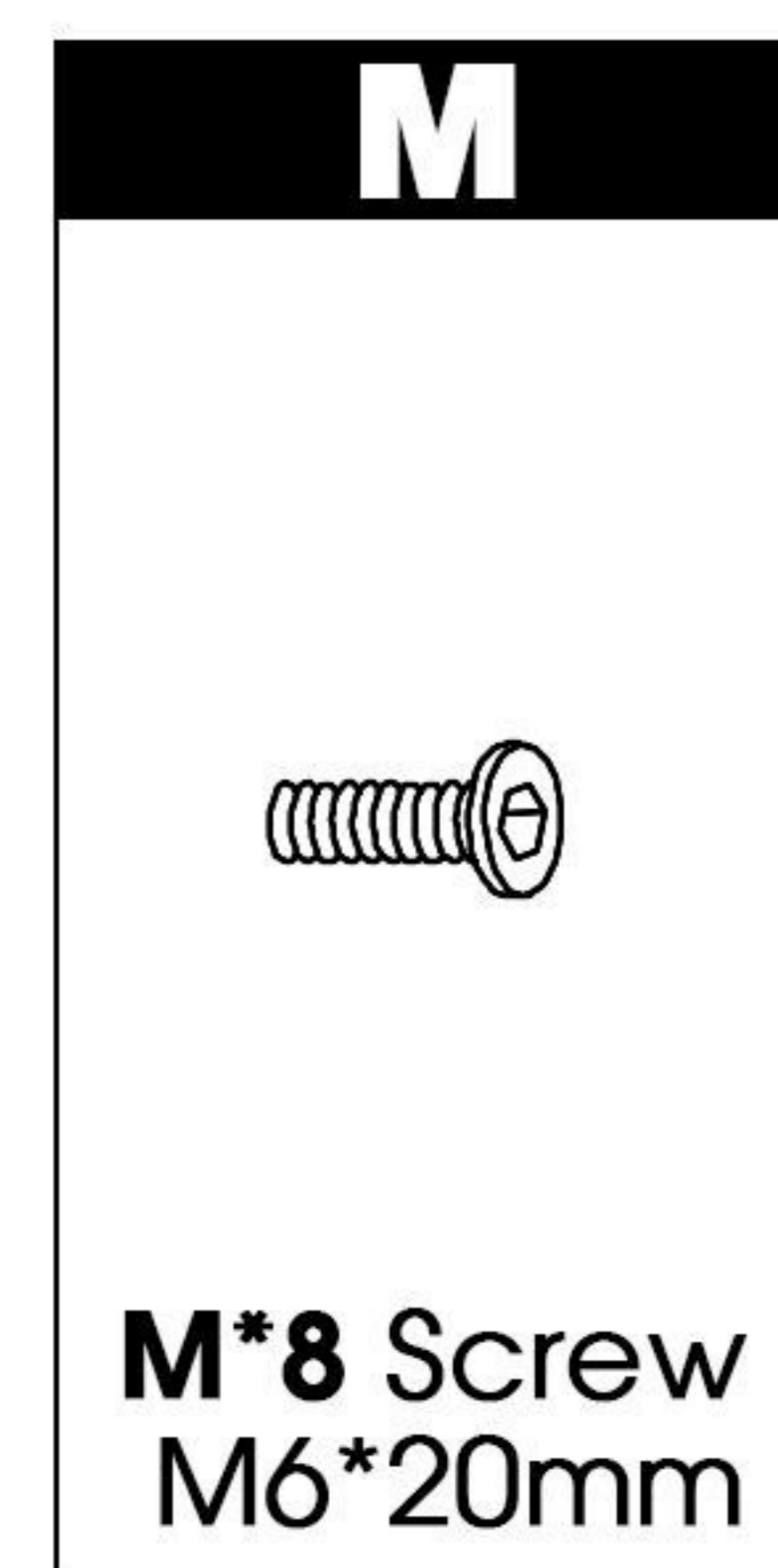
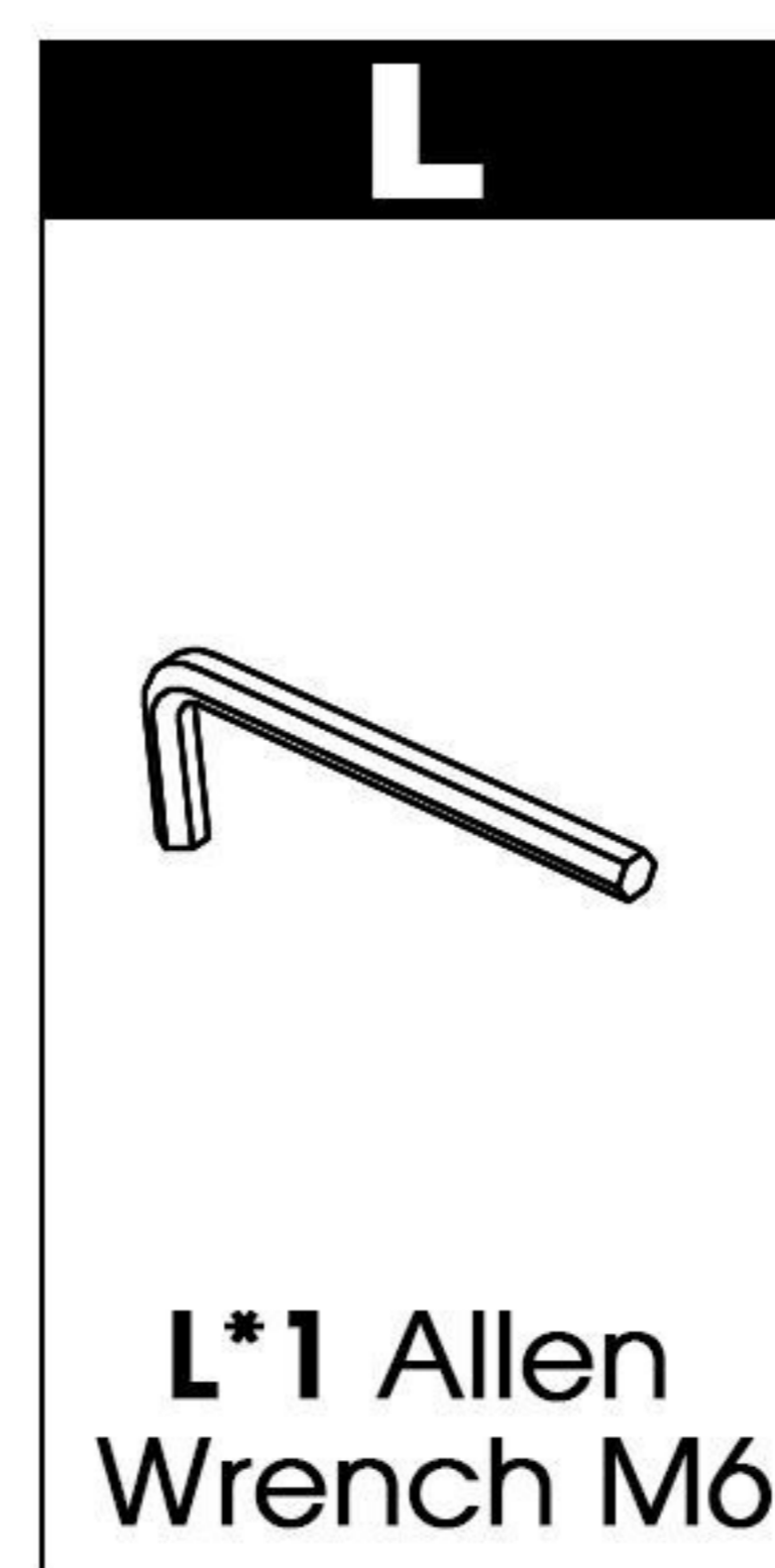
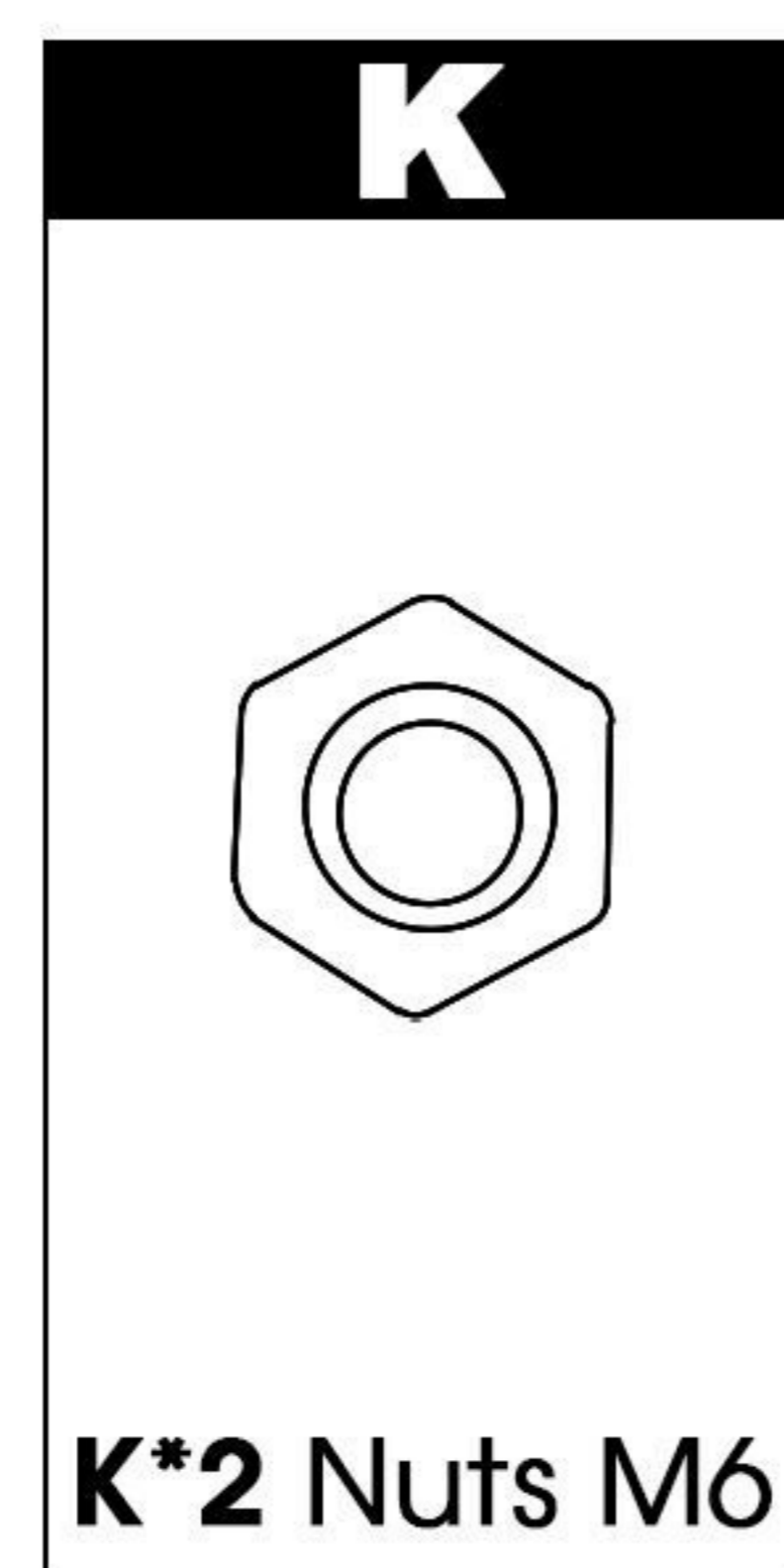
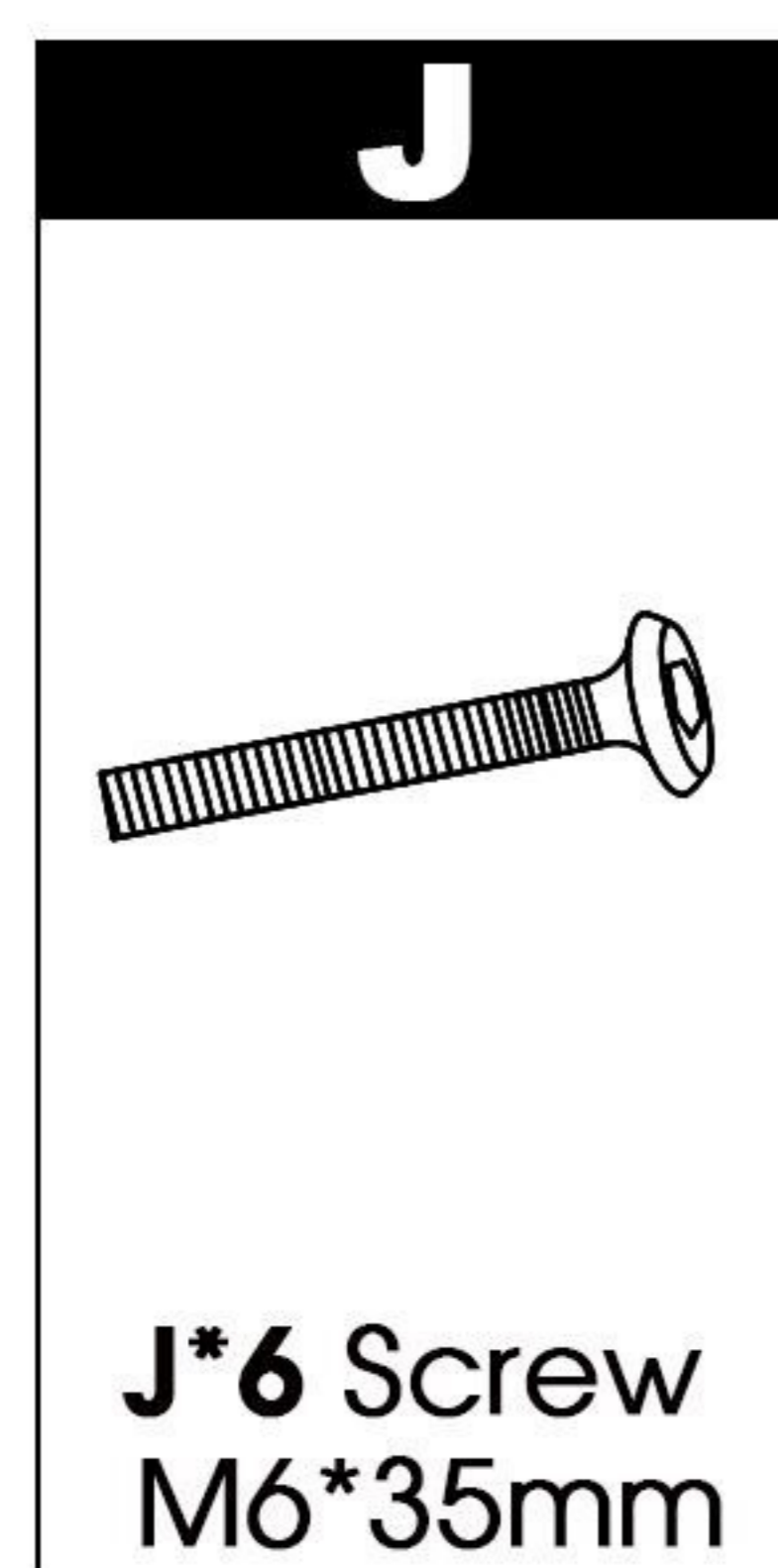
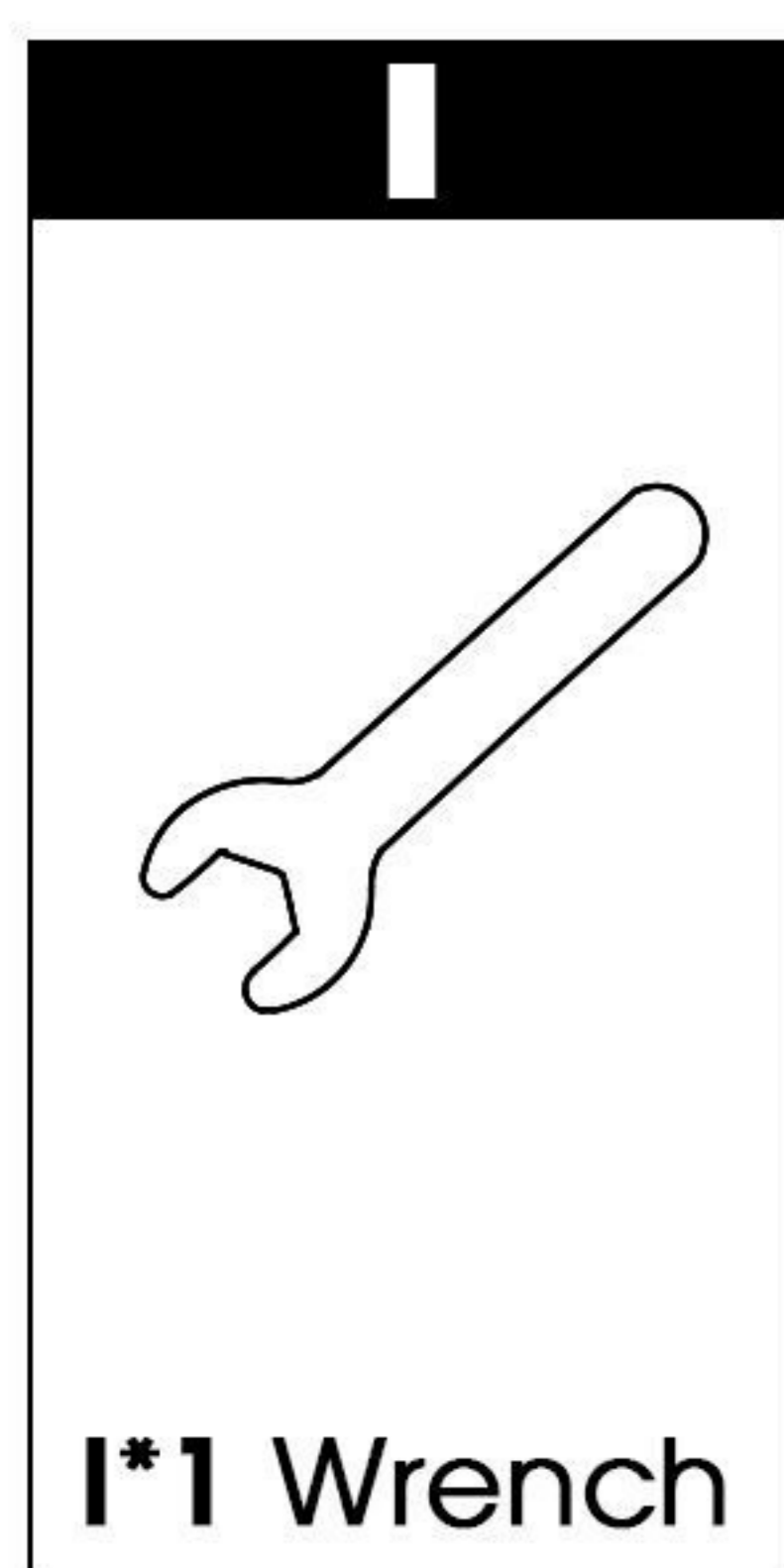
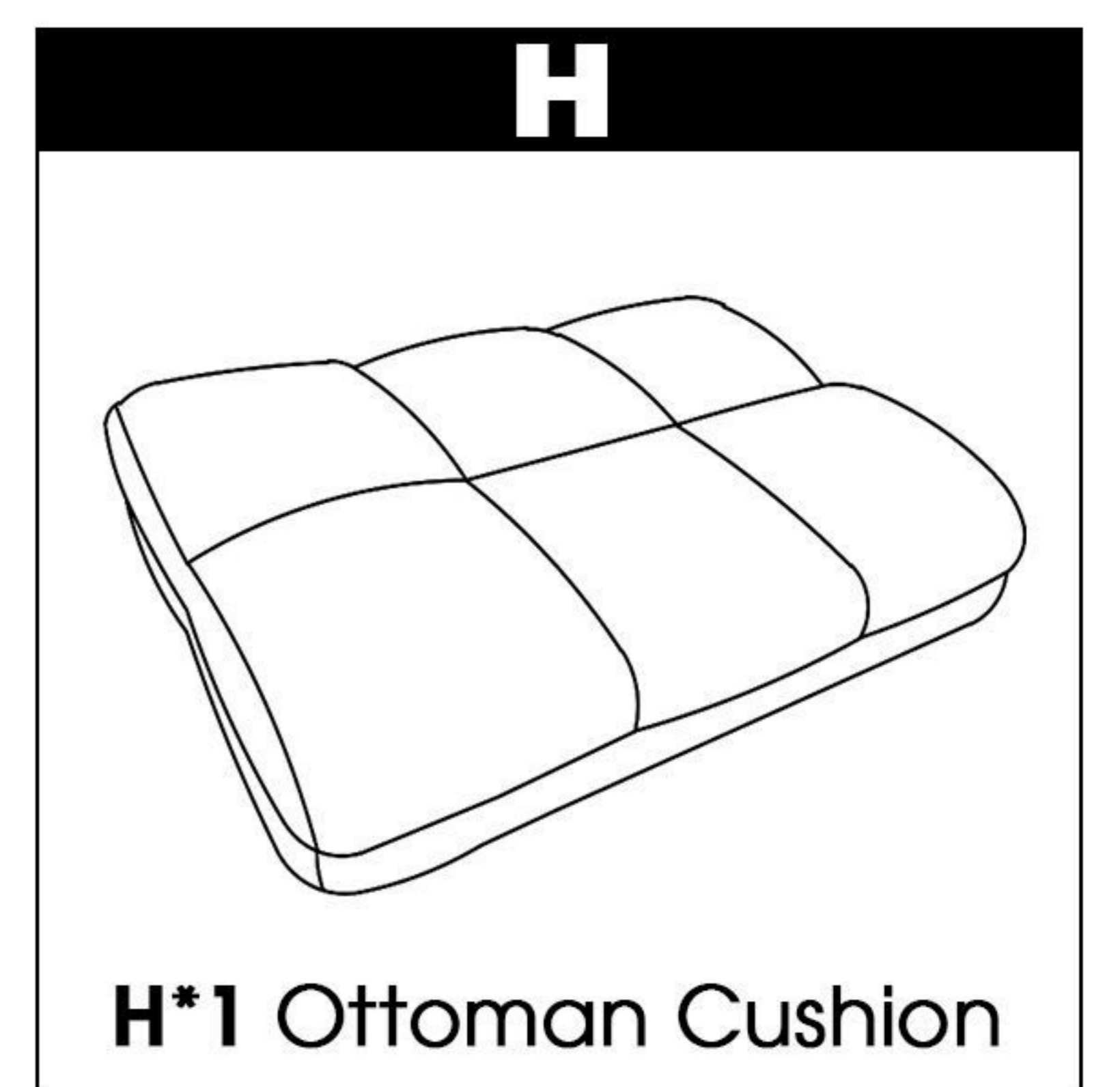
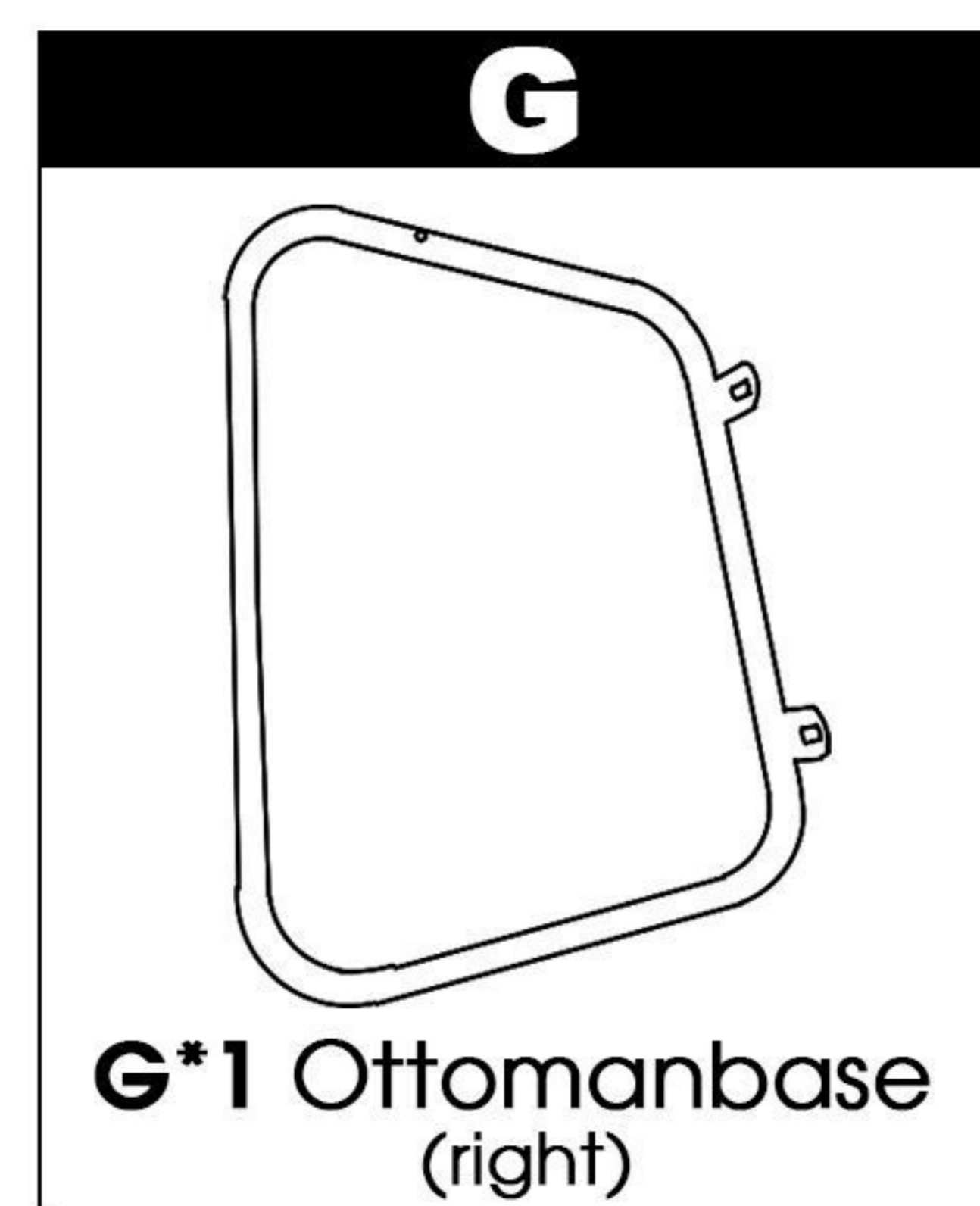
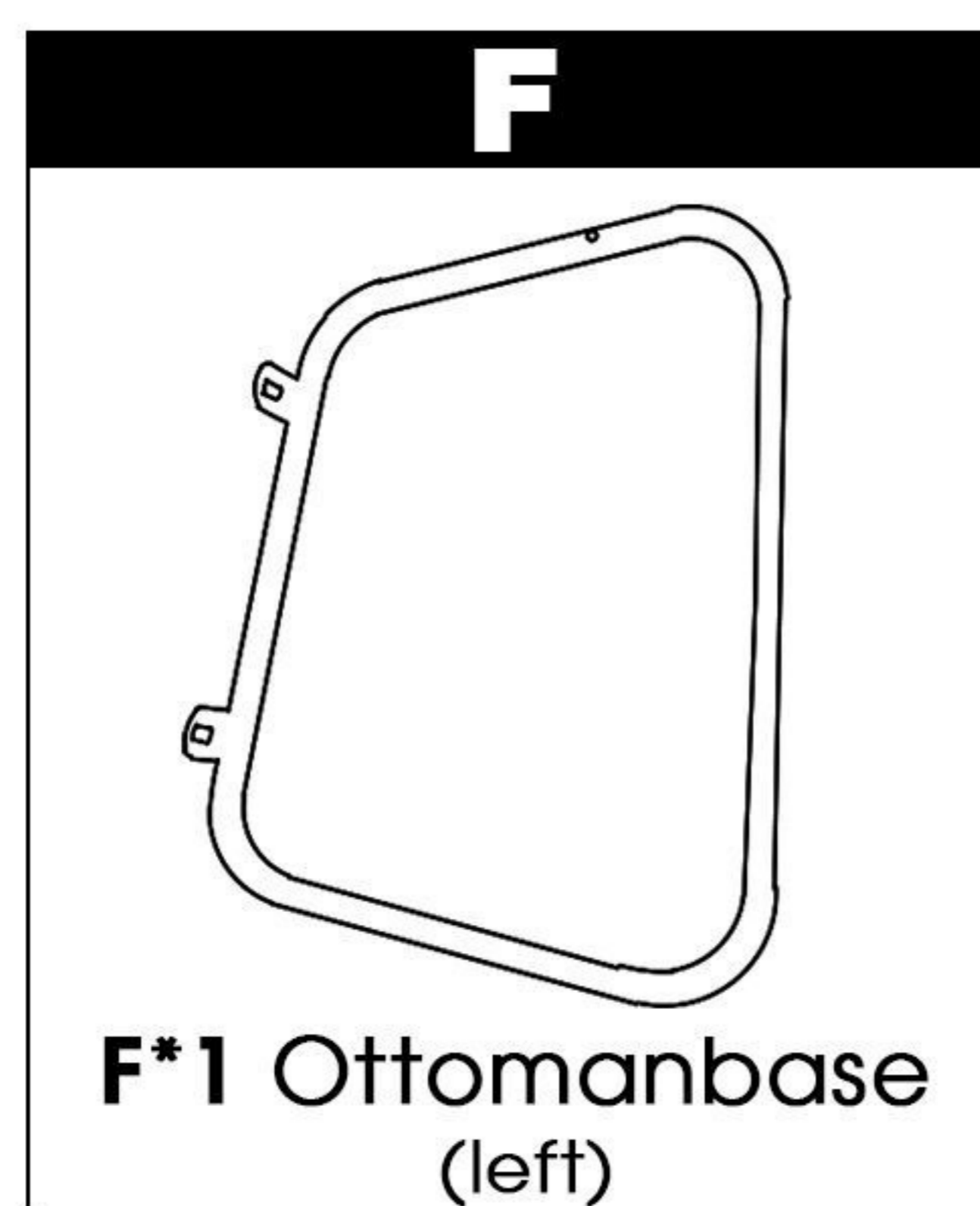
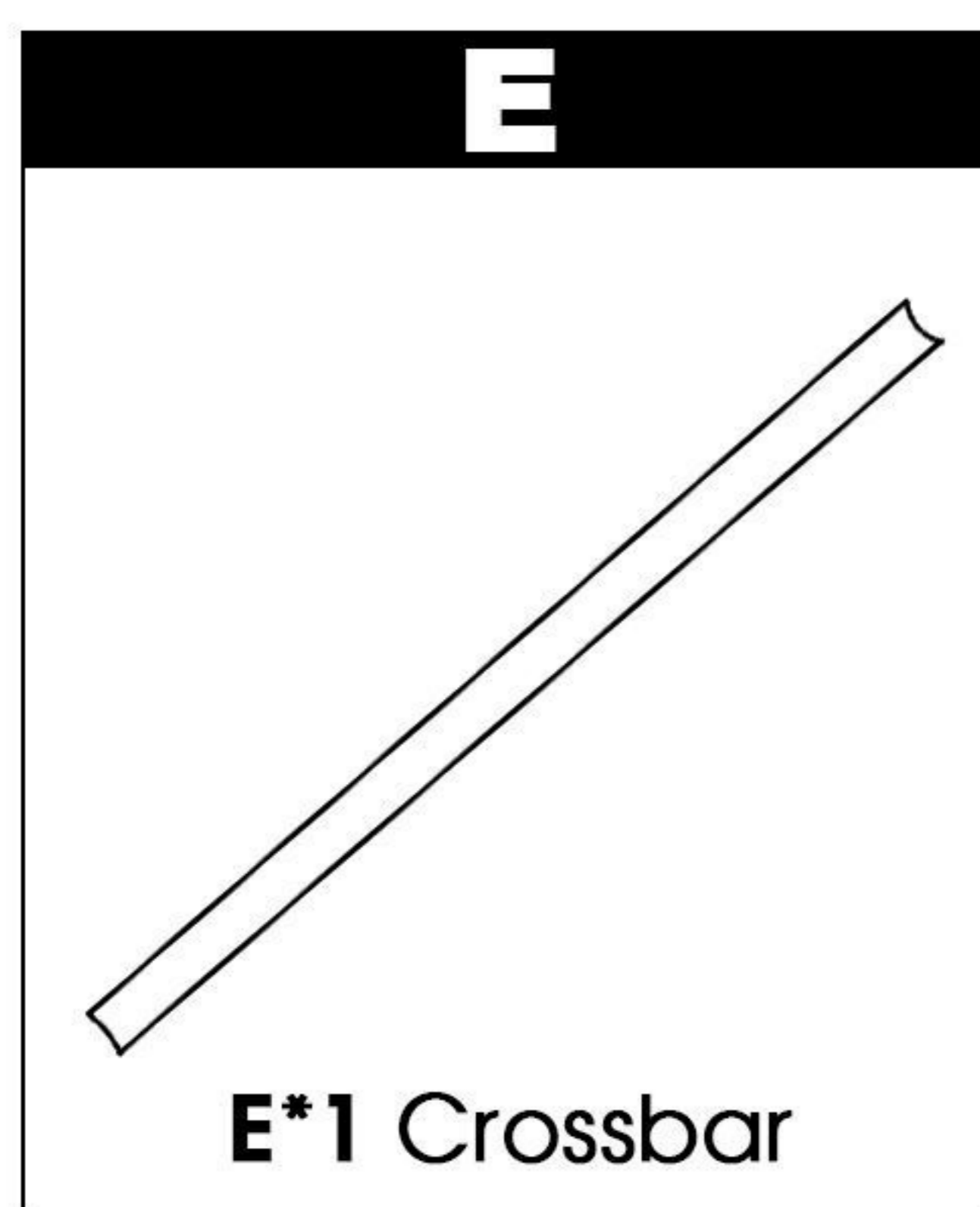
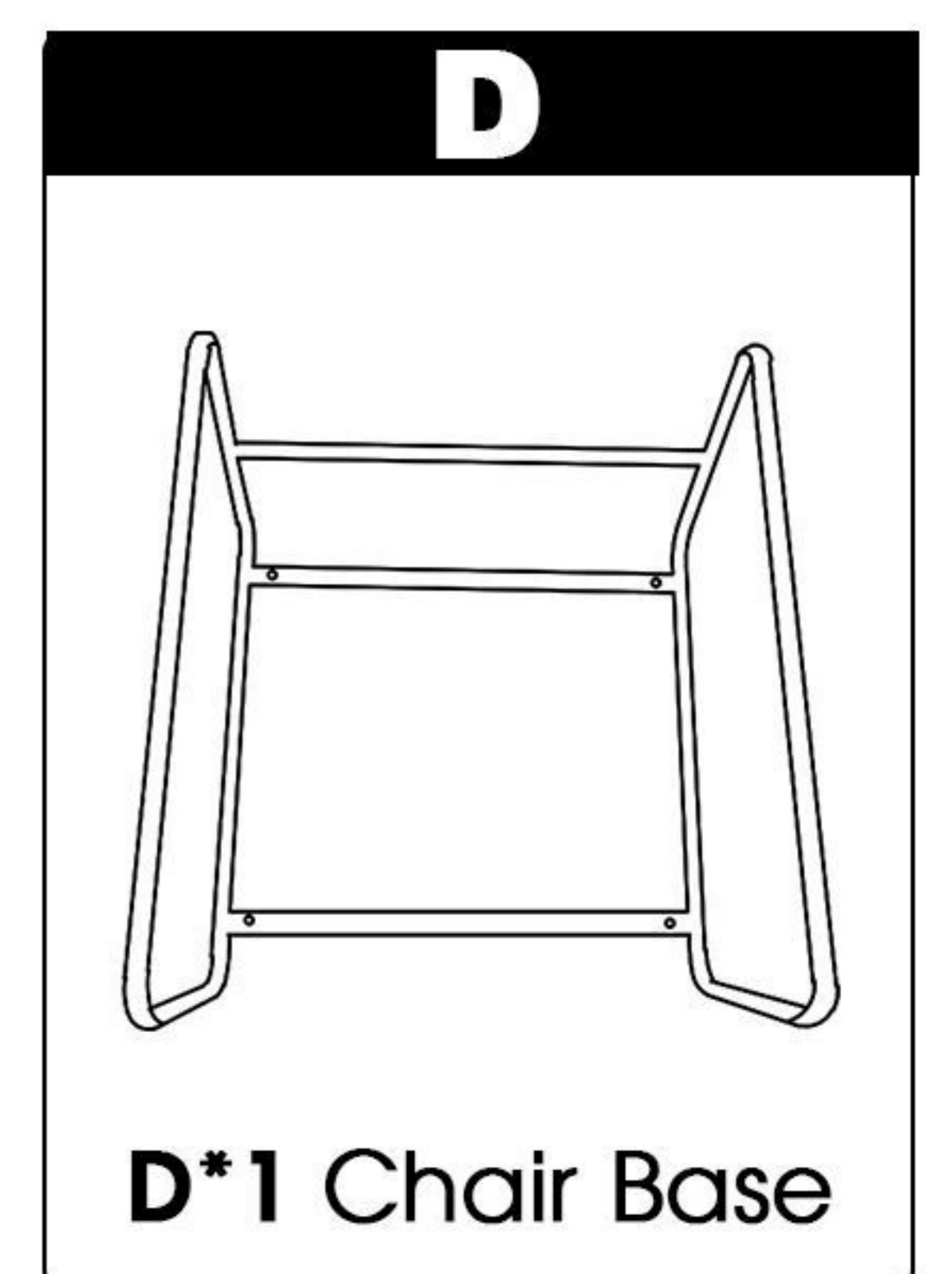
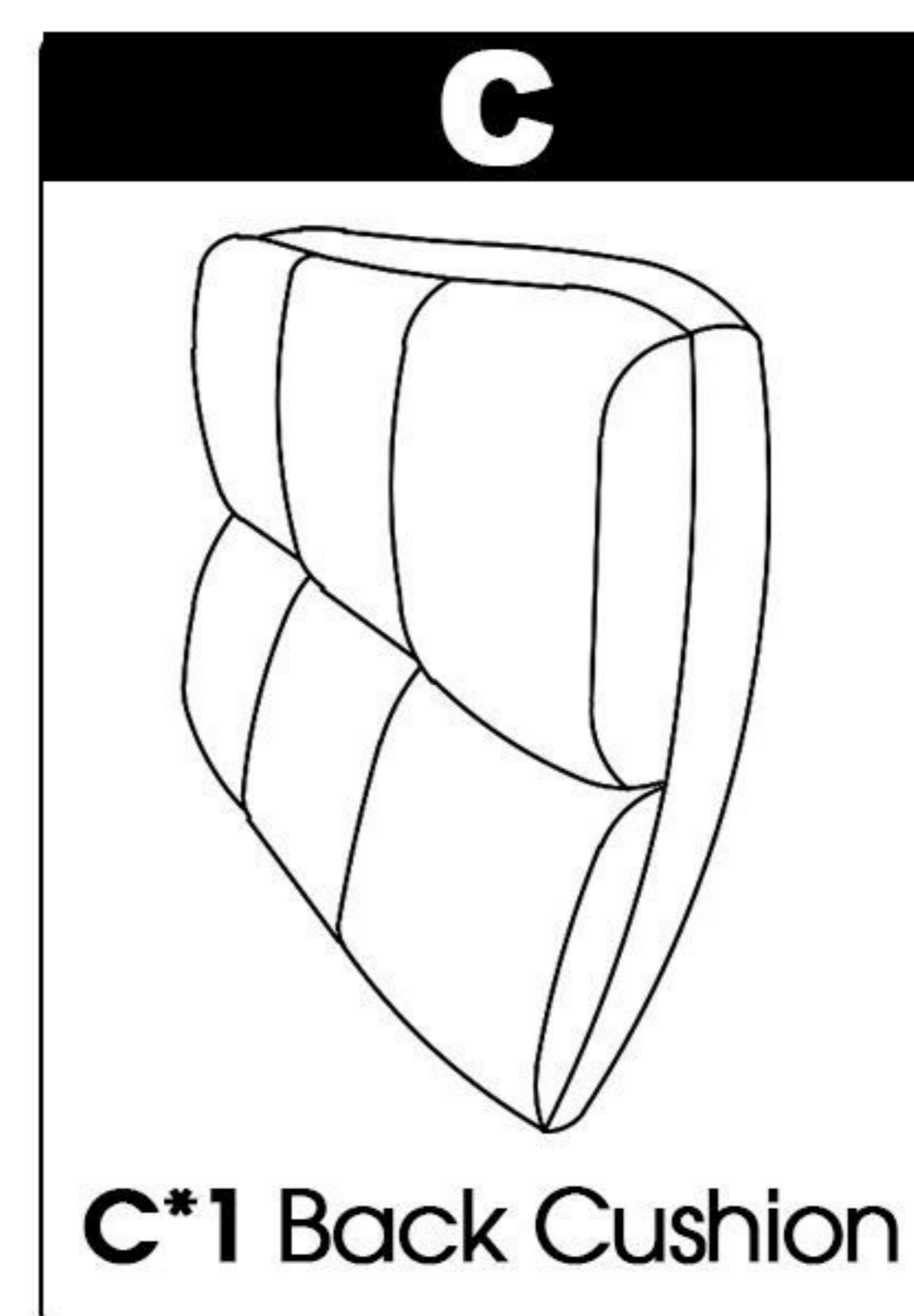
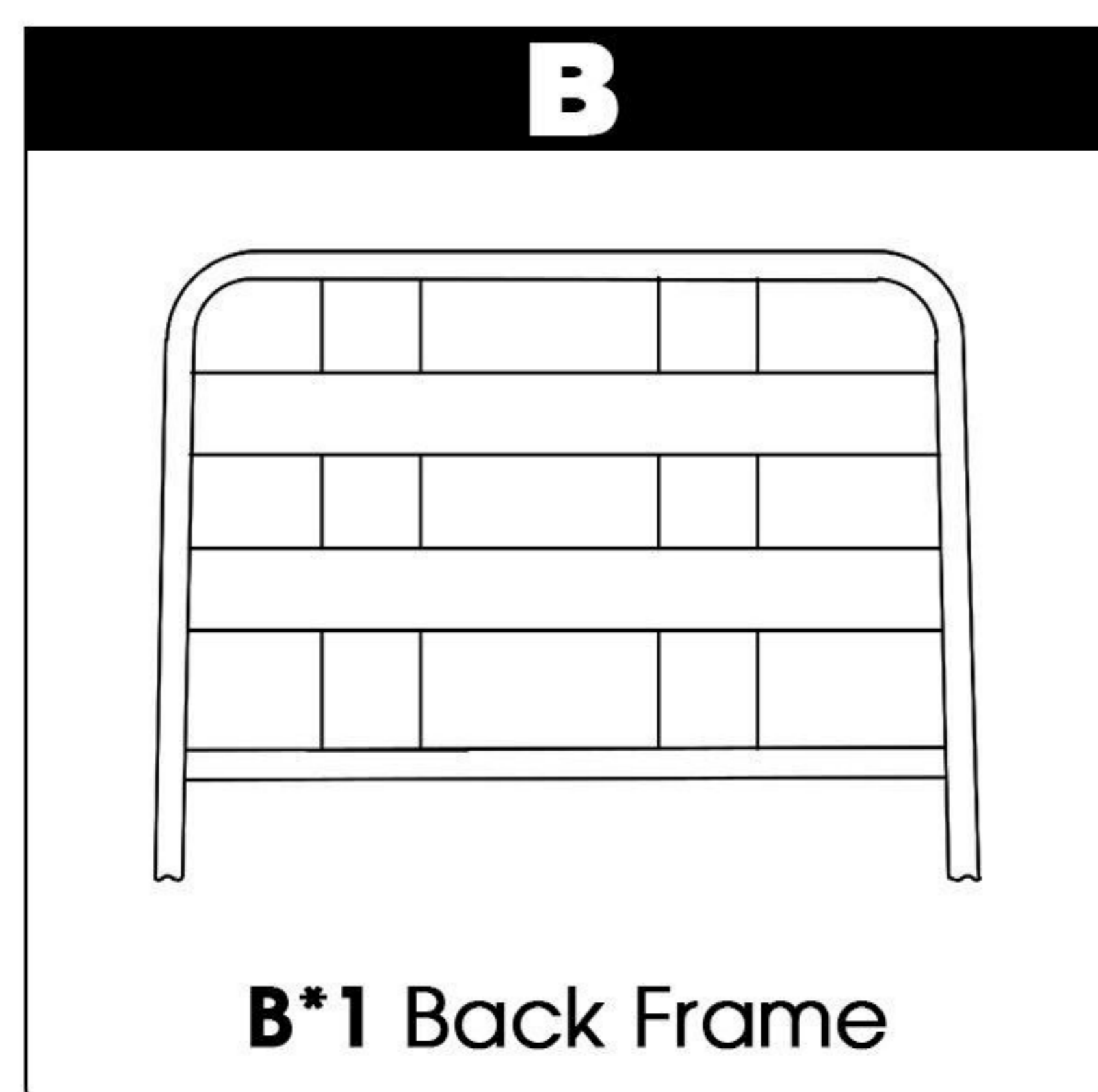
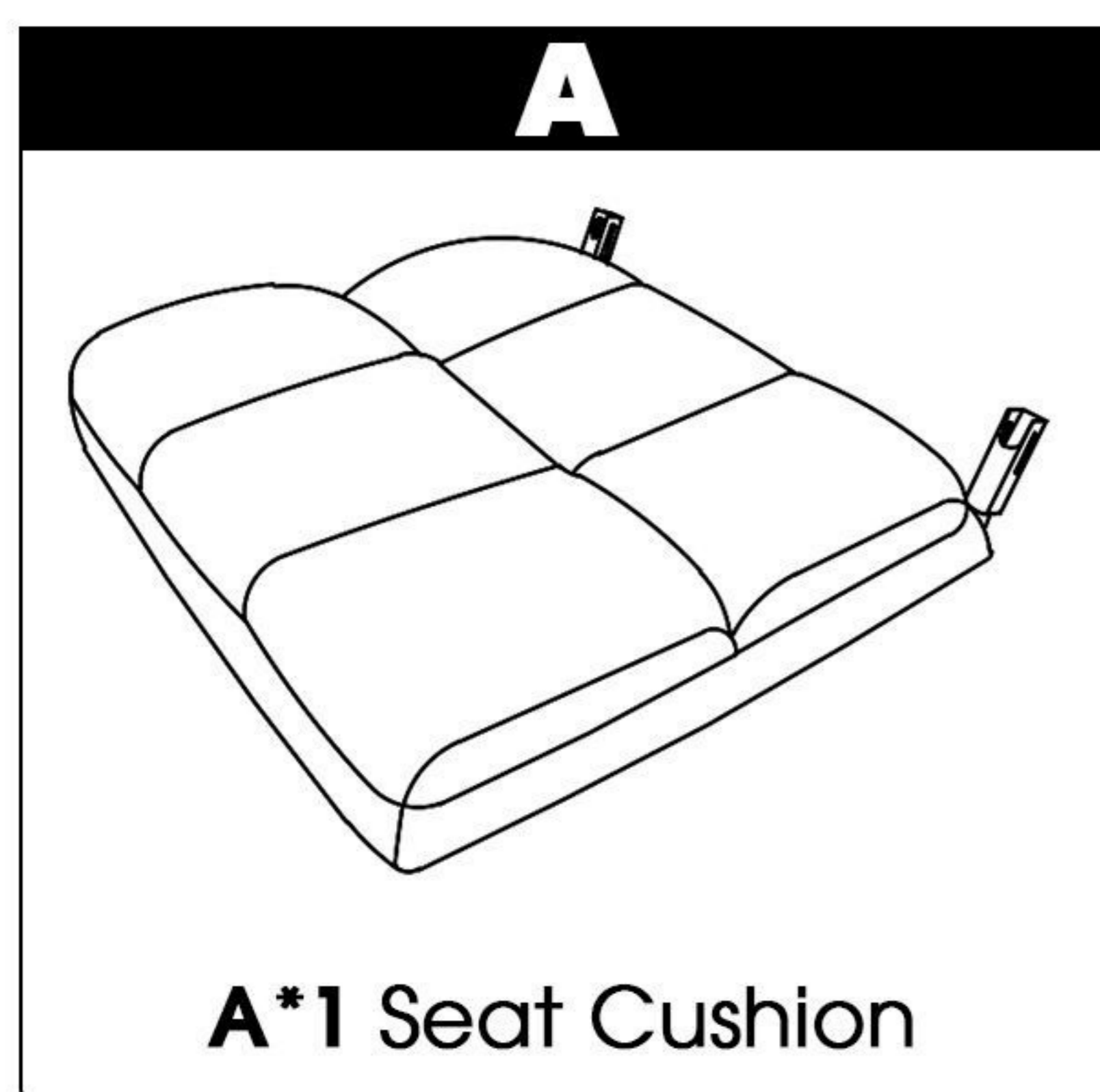
Accent Chair with ottoman - a name synonymous with classic design and the carrier of value and quality. Our products are directly from factory and eliminated the cost of middlemen. The Accent Chair with ottoman is a high-quality shading solution to enhance comfortable feelings as you try to enjoy the nice day.

## WARRANTY

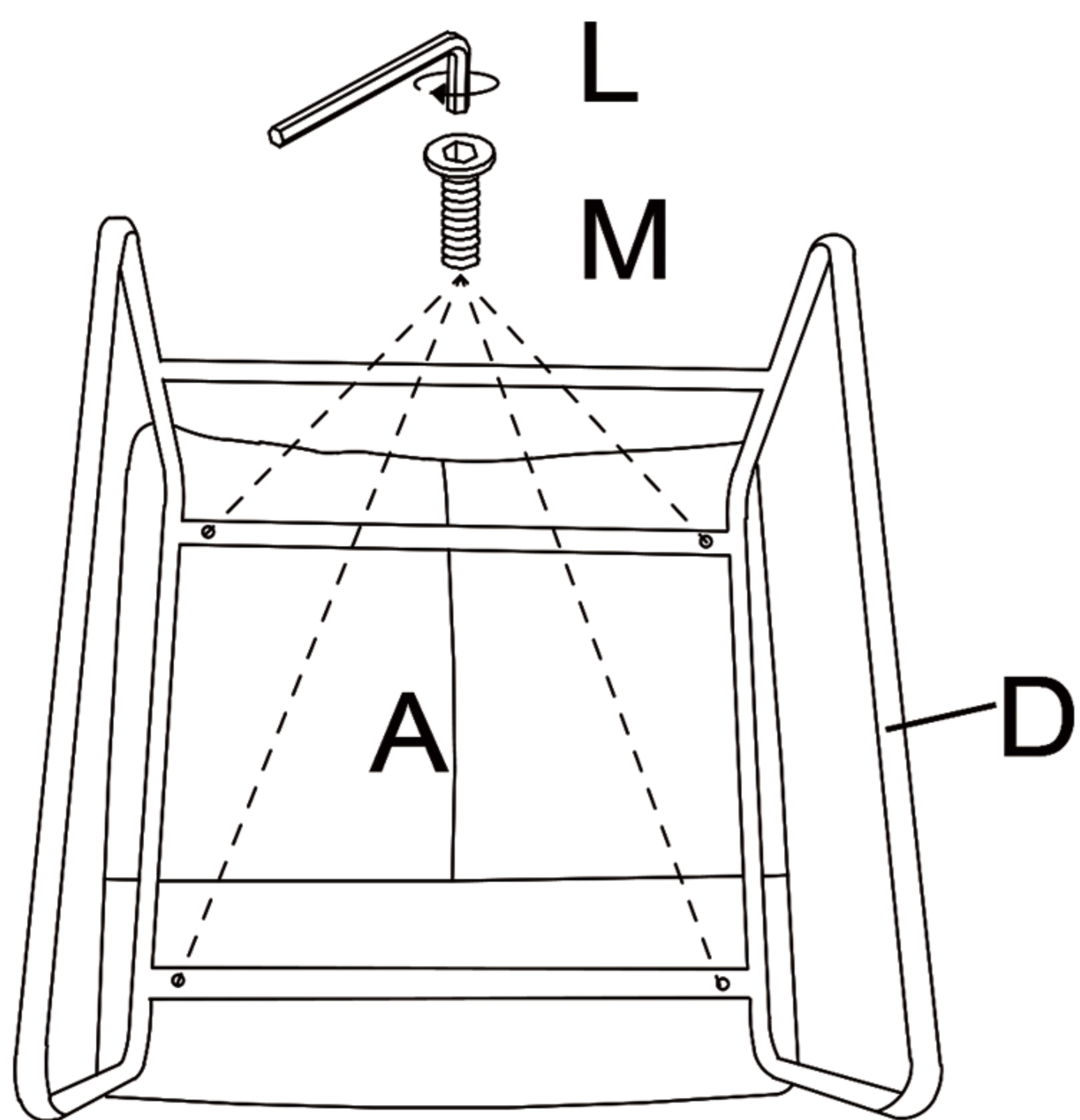
- All warranties are to the original purchaser
- will replace the defective parts or send replacement item provided that the warranty parts have not been subjected to misuse, abuse or improper service by the consumer, for example, damaged wire arising in consequence of negligence or improper operation.
- All of chairs come with a 30-day return/replace policy. During this time, we will cover the shipping cost of return and replacement for defective and damaged item, through provide pre-paid return label or pick up service for customer's convenience.

### PARTS LIST

**NOTE:** Part #B is in part #C, take it out and then assemble it.



Please remove all protective foam.

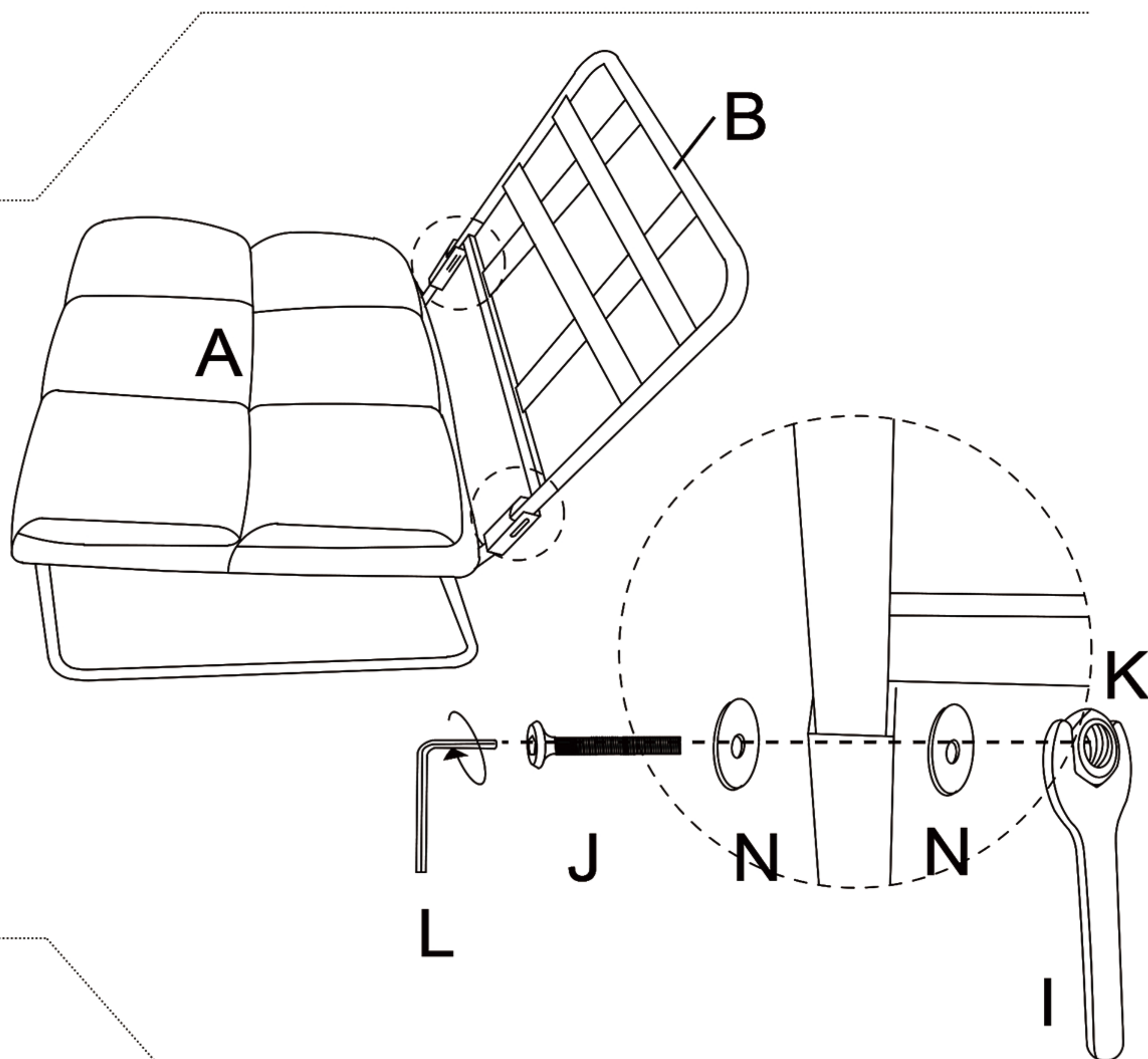


### Step 1

Use screw **#M** to fix Seat Cushion **#A** and Chair Base **#D** with Allen Wrench **#L**

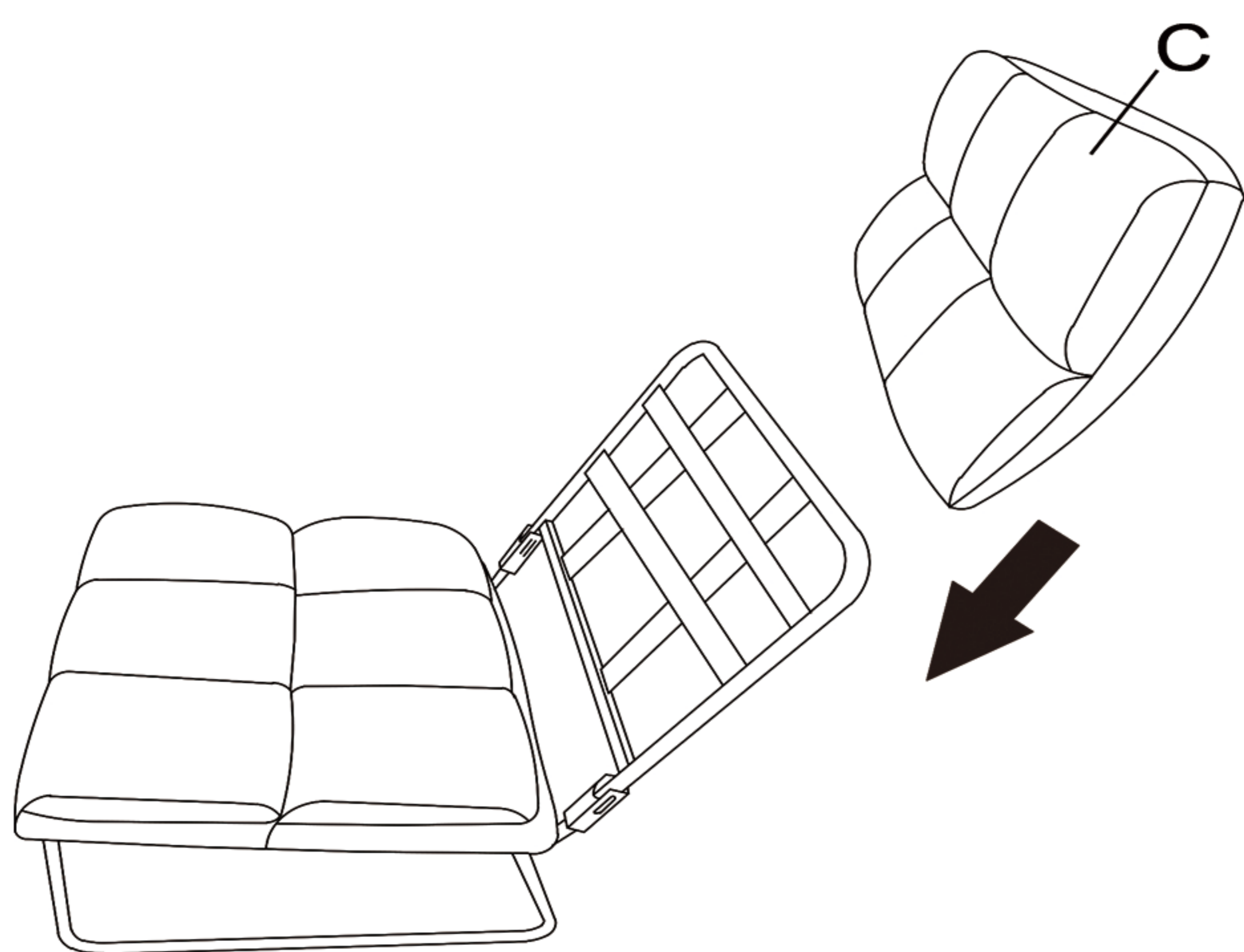
### Step 2

Connect the Back Frame **#B** and the chair base with a Allen Wrench **#L** with Screws **#J** and Nuts **#K**, and insert 2 Washers **#N** between the screws and nuts.



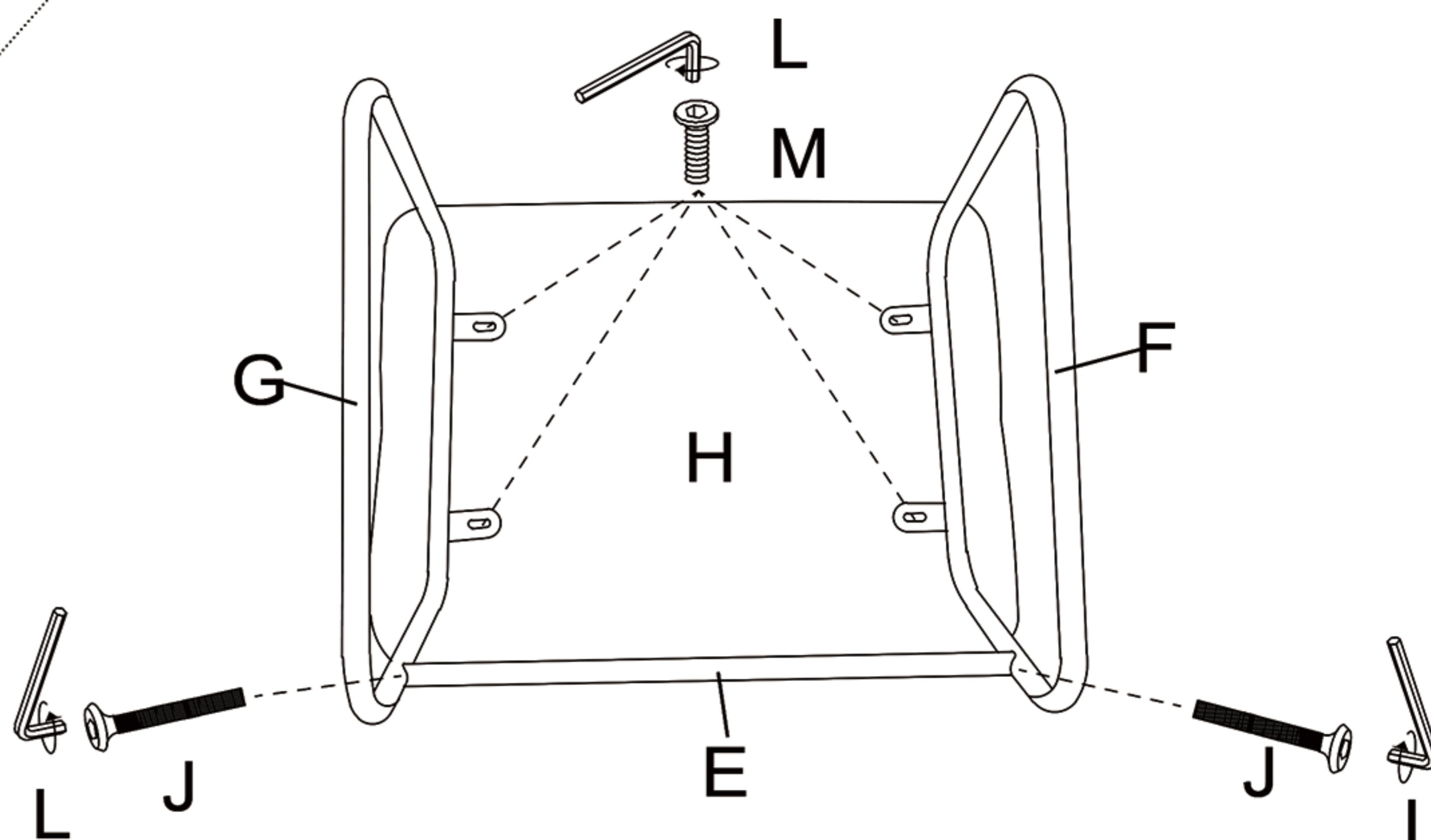
### Step 3

Put the Back Cushion **#C** on the Back Frame **#B**.



### Step 4

- (1) Use Screws **#M** to fix Ottoman Cushion **#H** and Ottoman Base **#F** (left) and **#G** (right) with wrench **#L**.
- (2) Use Screws **#J** to fix the Crossbar **#E** and the left **#F** and right **#G** base frames of the ottoman.



# ACCENT CHAIR INSTRUCTIONS

