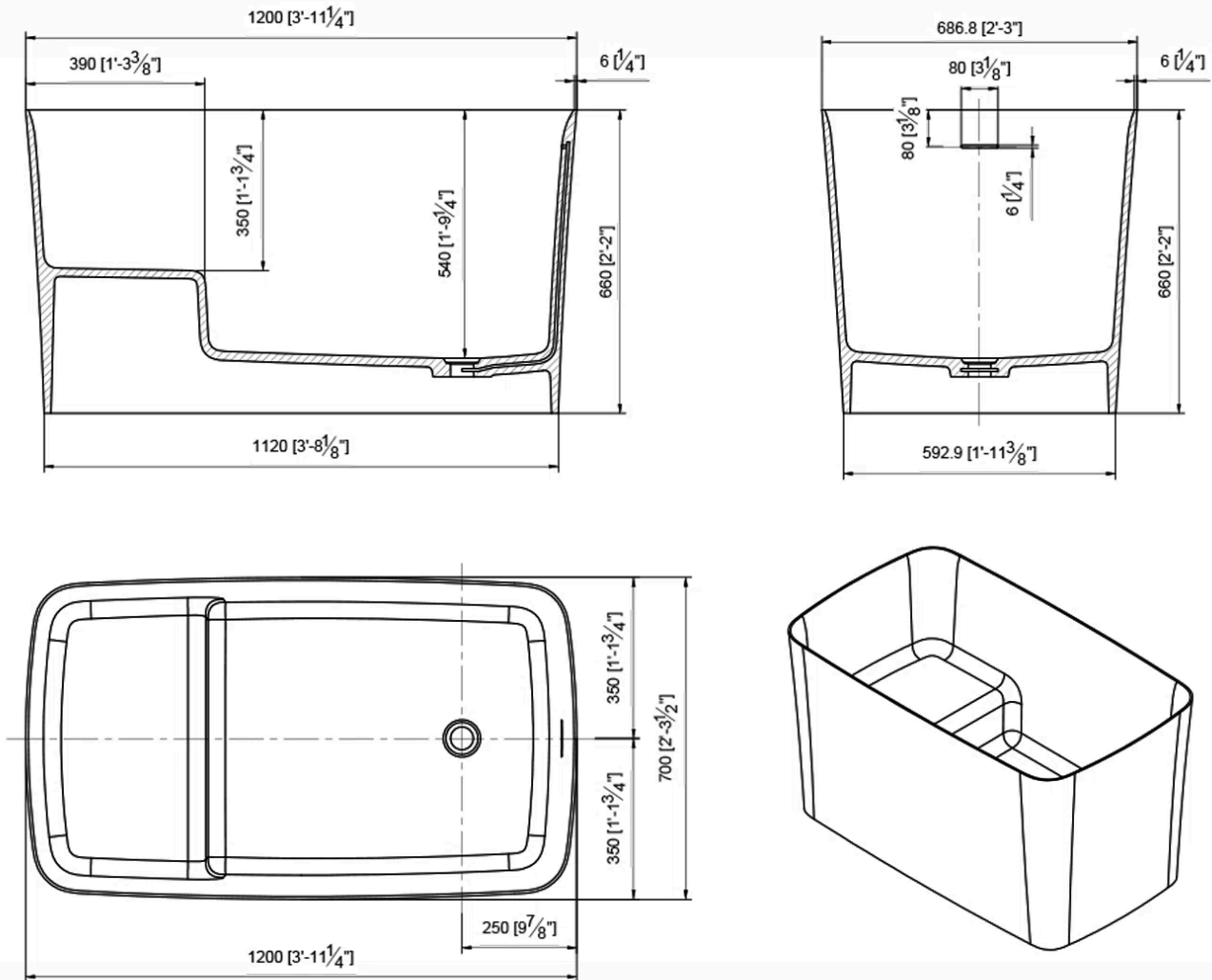


Size & Dimensions



- All dimensions are measured manually, please allow ±10mm degree of error.
- For actual dimensions please refer to the actual product received.