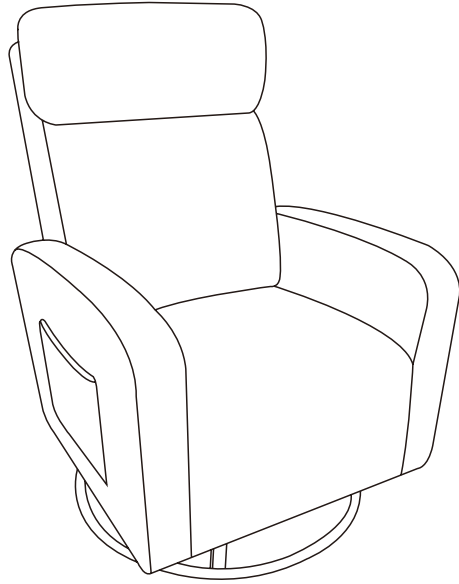
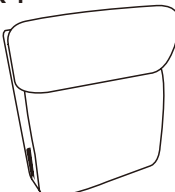

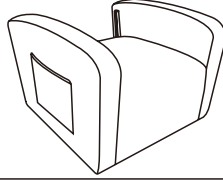

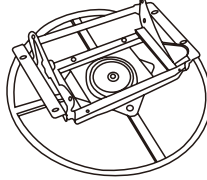
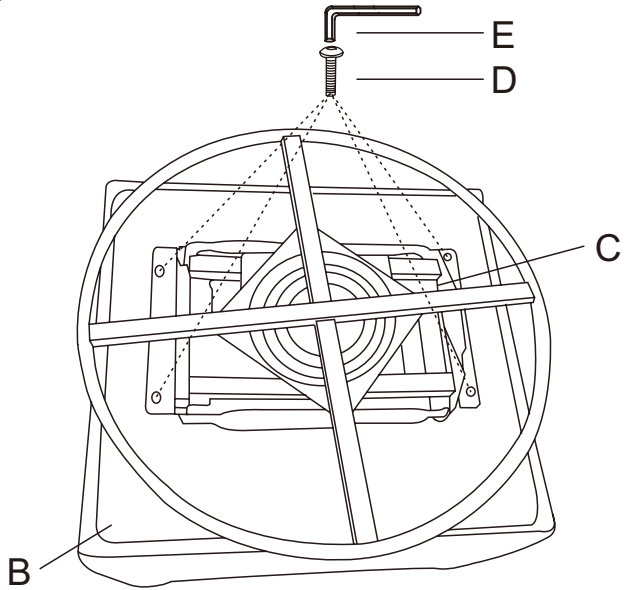


ASSEMBLY INSTRUCTION

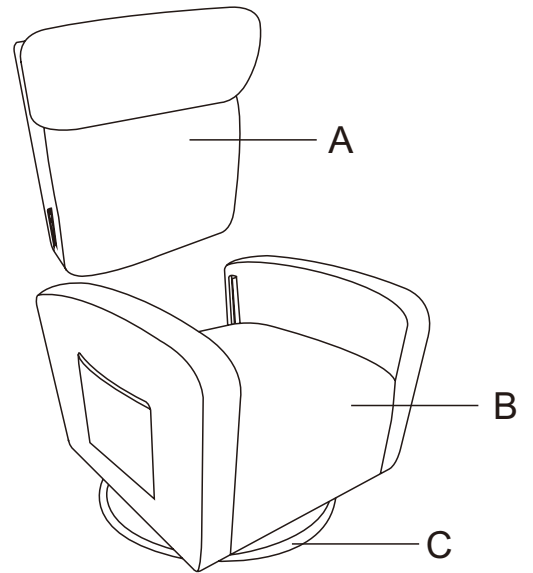


Ax1 	Dx4 
Bx1 	Ex1 
Cx1 	

①



②



③

