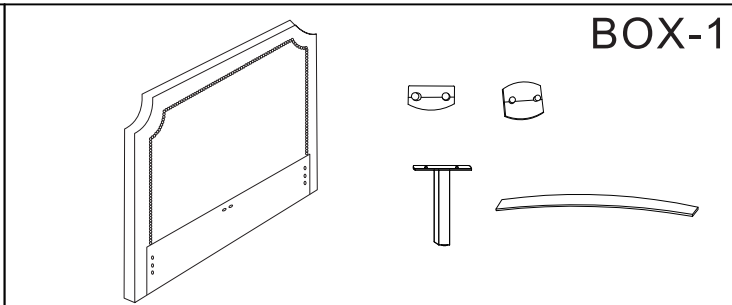
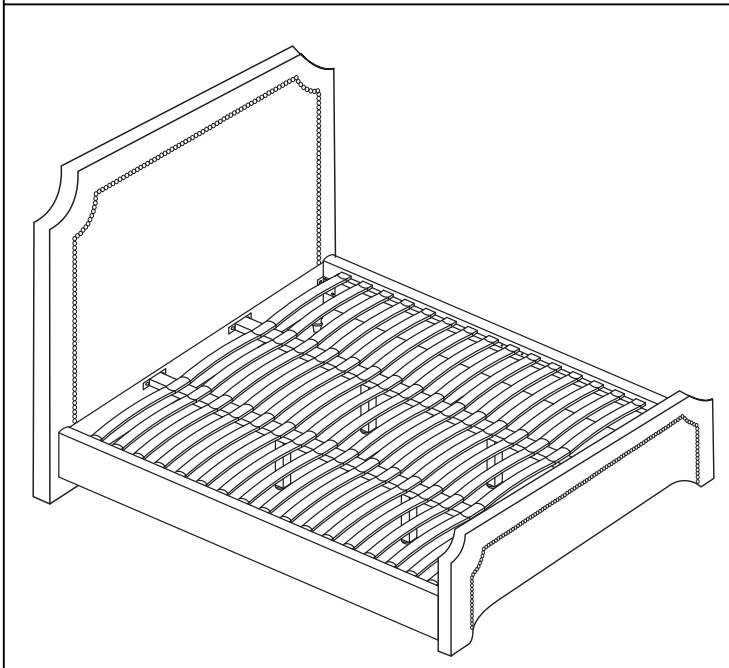
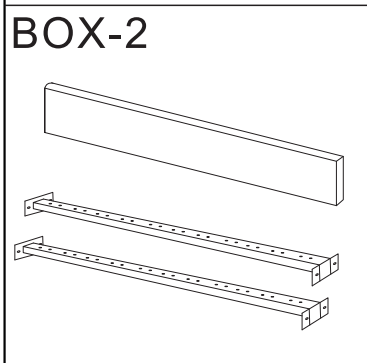


ASSEMBLY INSTRUCTIONS

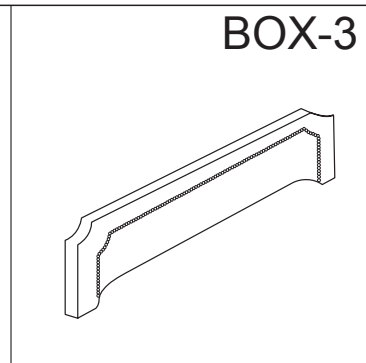
NO.:AMERICAN BED-KING



BOX-1

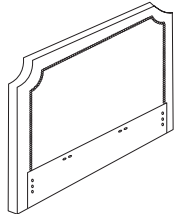


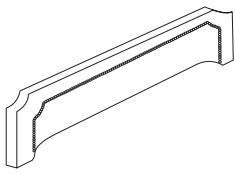
BOX-2

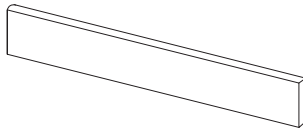


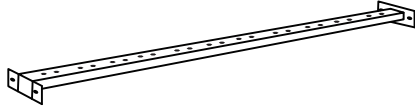
BOX-3

spare parts 1

A  x1
Headboard

B  x1
Footboard


C  x2
Side

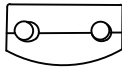
D  x2
Center Support bar

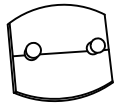
These parts are located at the back of the headboard.



E  x4
Metal Leg Support

F  x 39
Slat

G  x26
Rails plastic slat

H  x26
Center plastic slat

spare parts 2 These parts are located at the back of the headboard. ↓

a



5/16*35mm x20

c



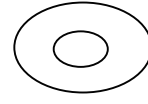
5/16 x1

b



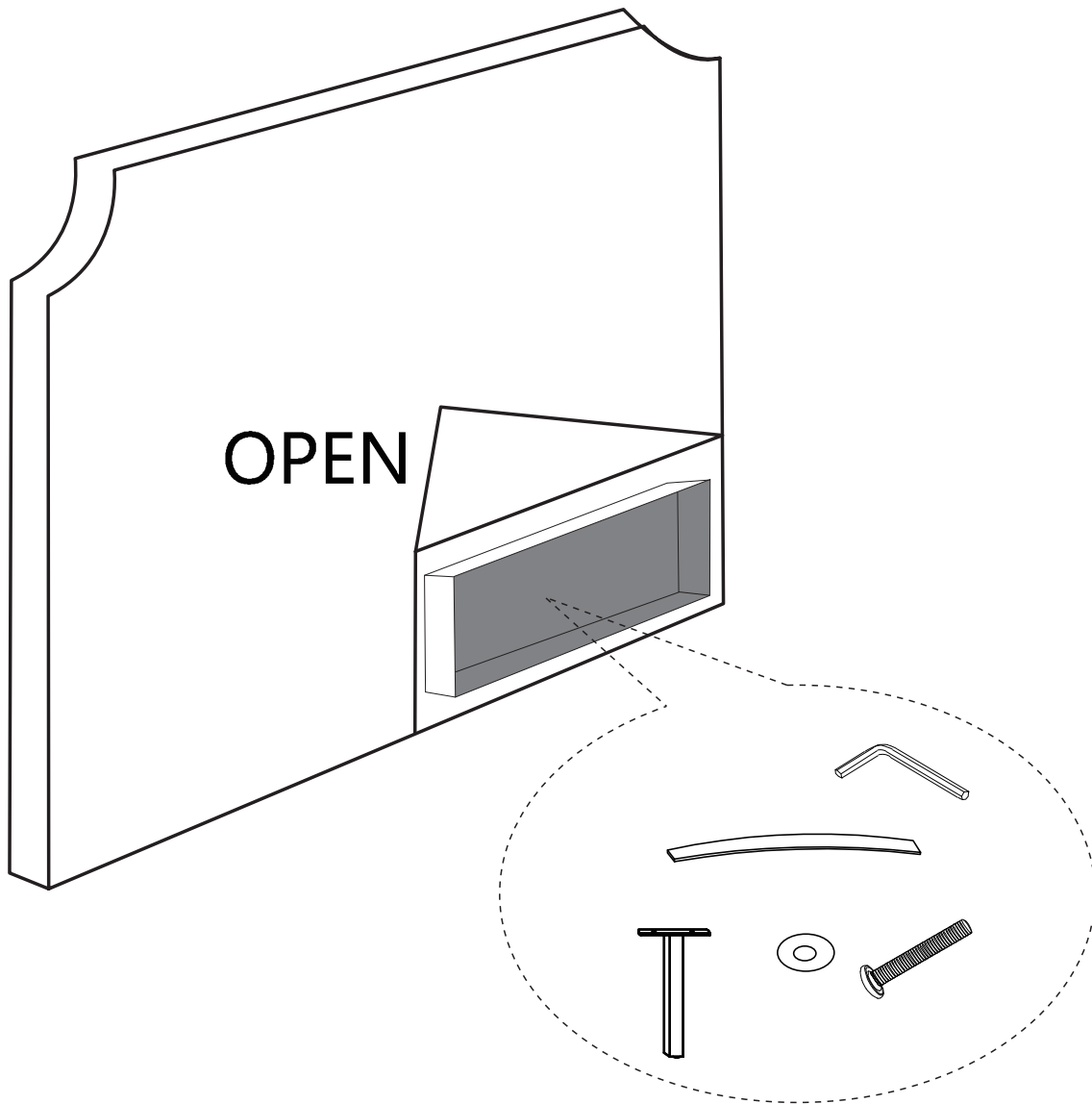
5/16*25mm x8

d

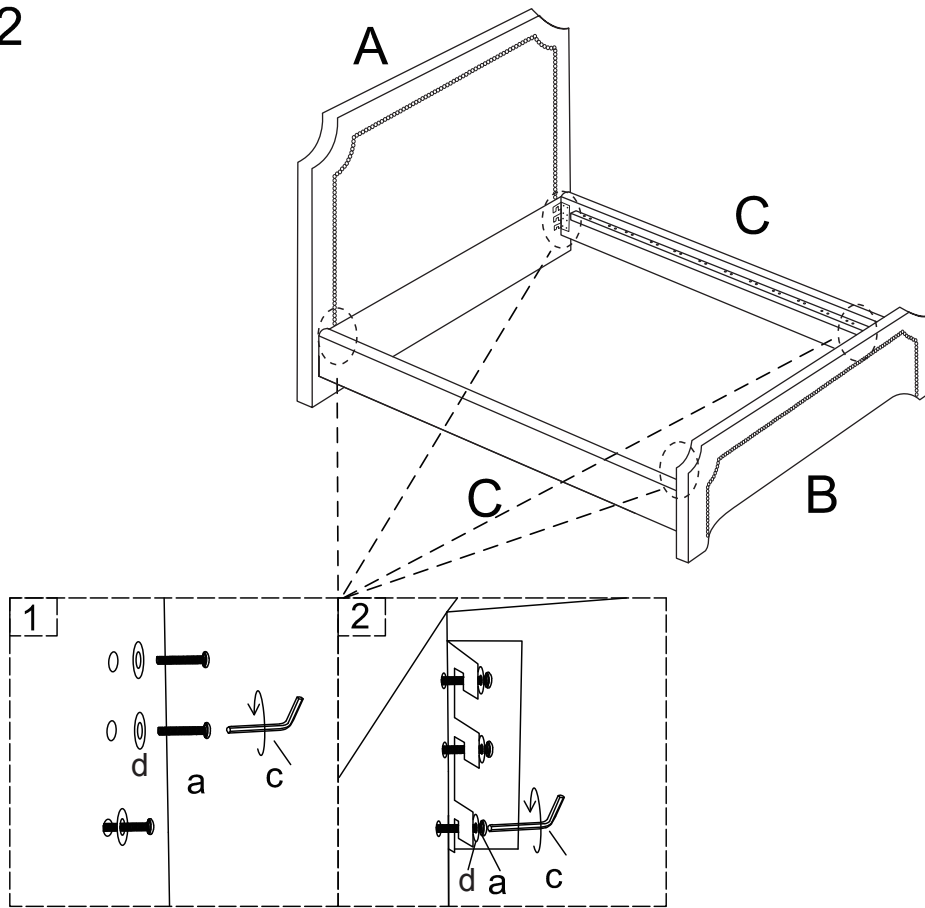


5/16 x28

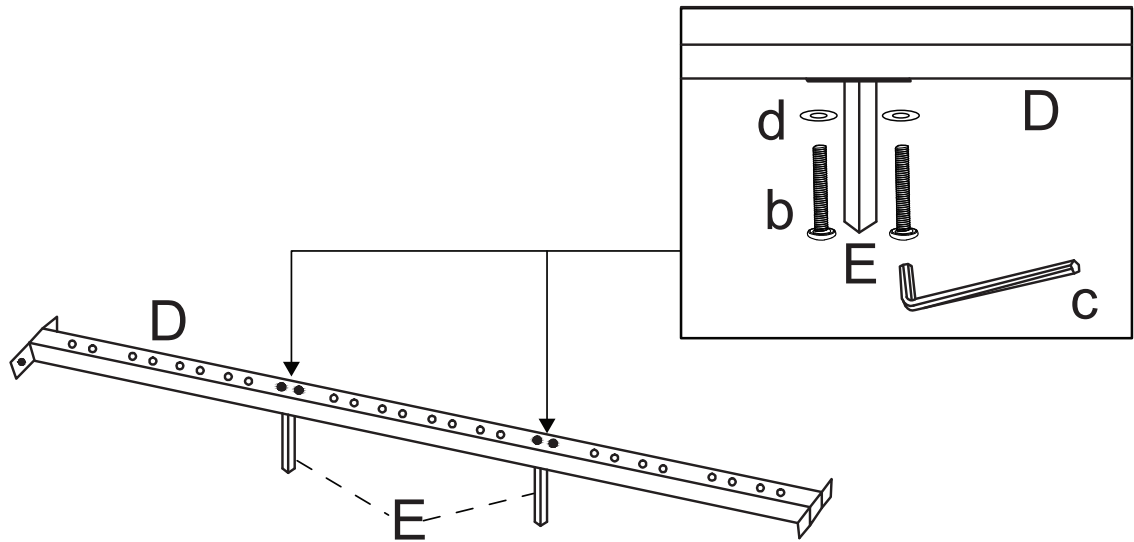
step:1



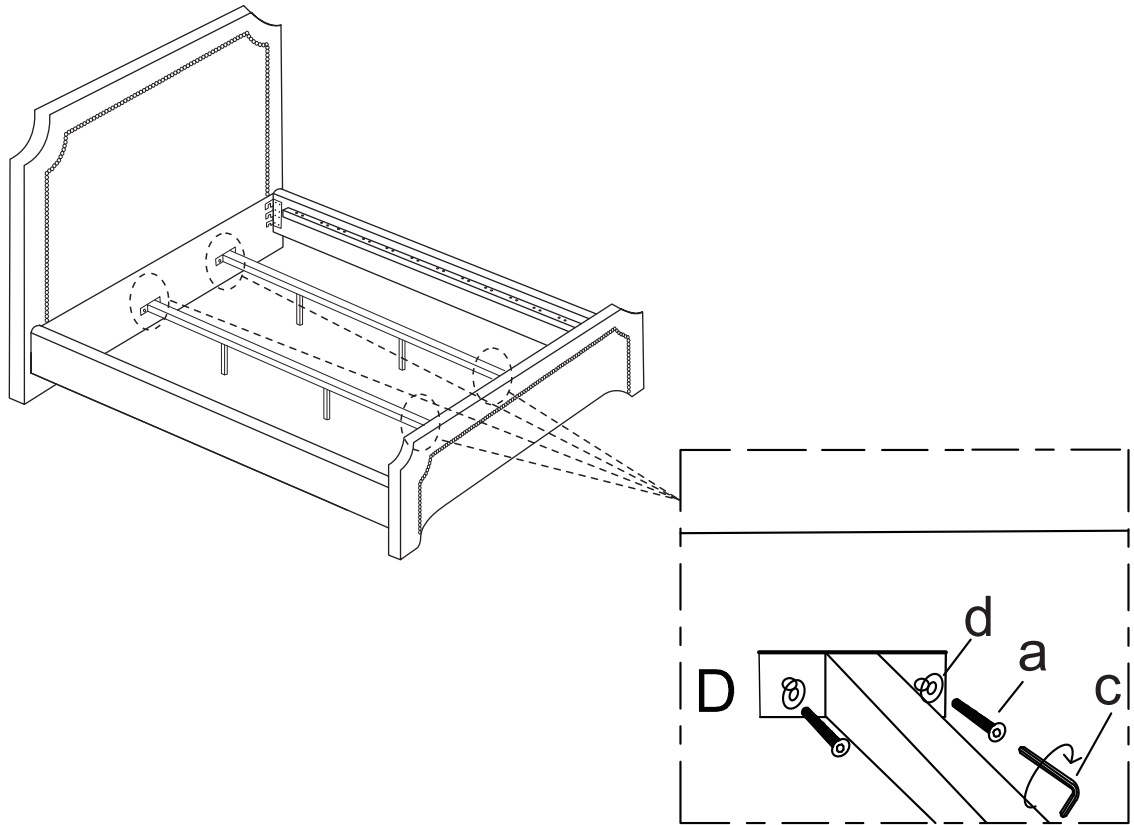
setp:2



setp:3



setp:4



setp: 5

