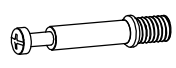

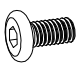




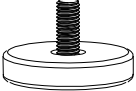



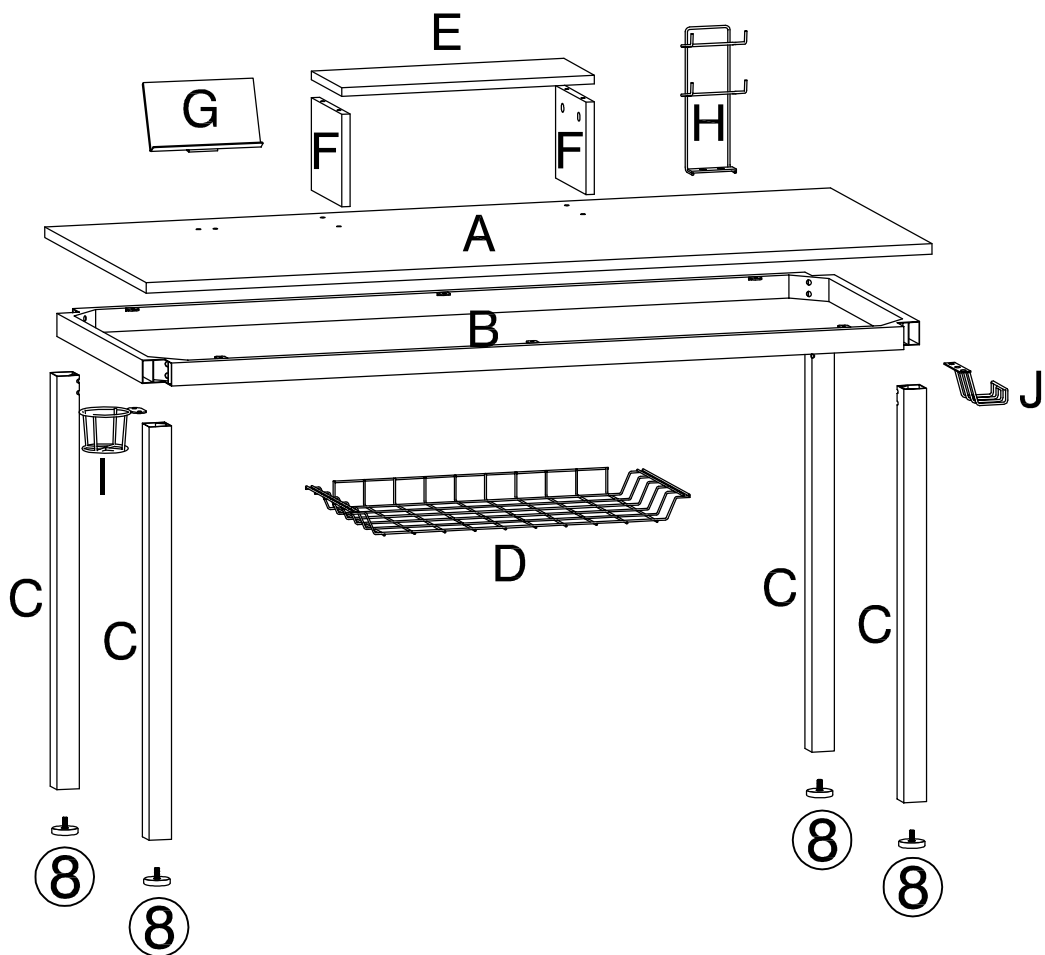
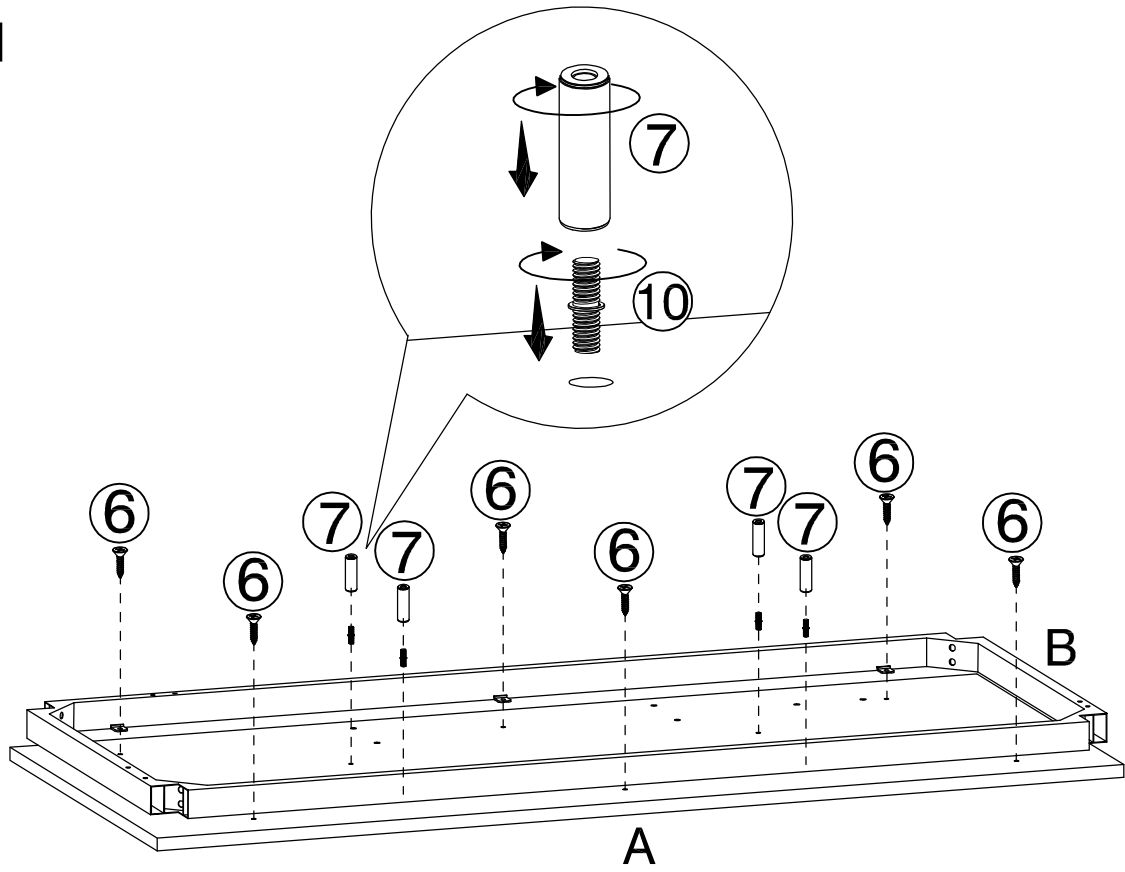


<p>①  X4</p>	<p>②  X4</p>
<p>③  M6X12mmX10</p>	<p>④  M6X30mmX2</p>
<p>⑤  M7X50mmX4</p>	<p>⑥  M4X12mmX6</p>
<p>⑦  M13X40mmX4</p>	<p>⑧  X4</p>
<p>⑨  M8X50mmX8</p>	<p>⑩  X4</p>
<p>⑪  X2</p>	

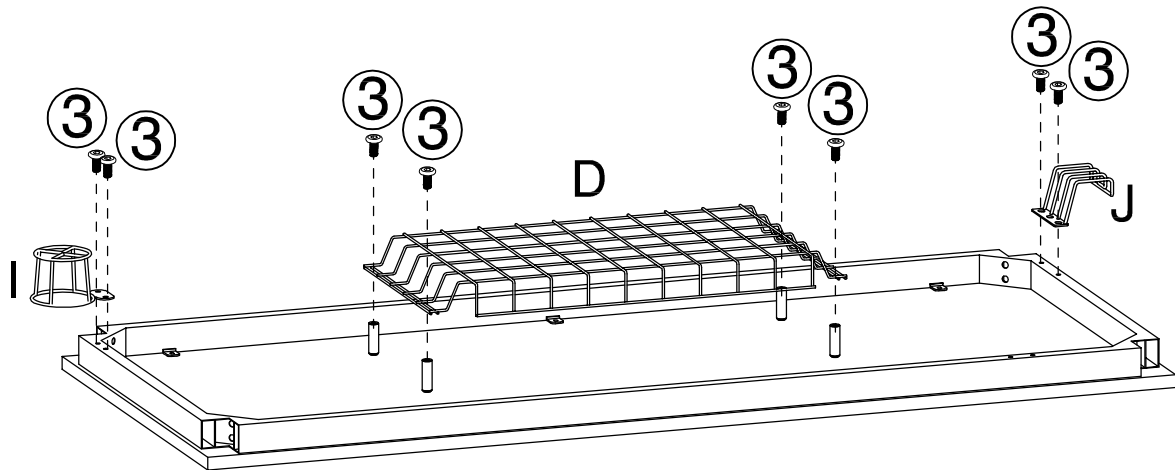


Step 1



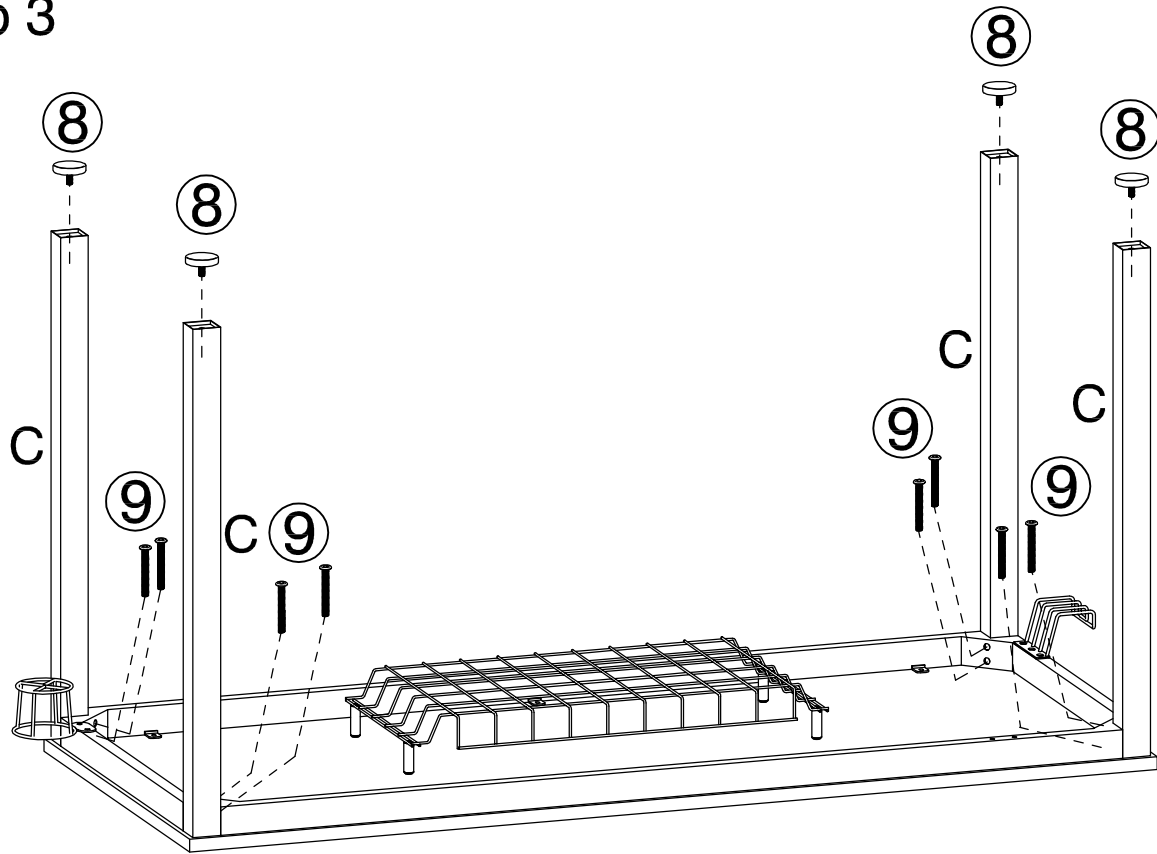
⑥x6
⑦x4
⑩x4

Step 2



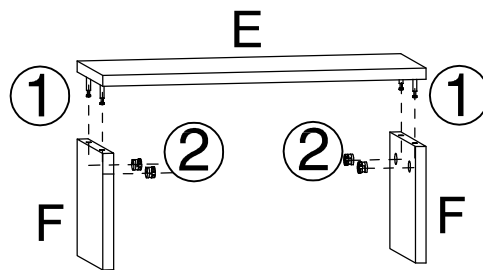
③x8

Step 3



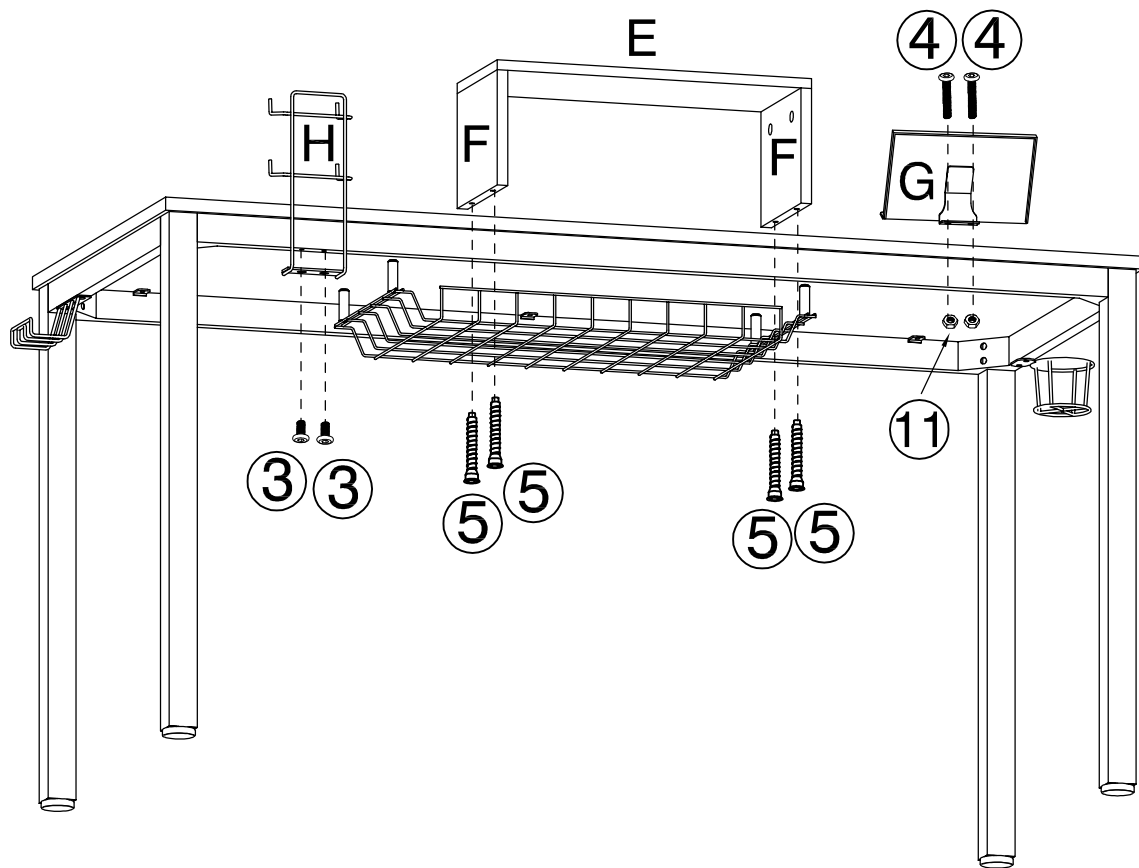
⑧x4
⑨x8

Step 4



①x4
②x4

Step 5



③x2
④x2
⑤x4
⑪x2

Step 6

