

# **Installation and Assembly**

# TABLE OF CONTENTS

---

01	Important Safety Instructions	01	Tools Needed
----	-------------------------------	----	--------------

---

02	Parts List	04	Assembly
----	------------	----	----------

---

18	Warranty Information		
----	----------------------	--	--

---

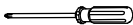
Thank you so much for choosing our product. If you encounter any questions during use, feel free to contact us. We will try our best to solve it.

## IMPORTANT SAFETY INSTRUCTIONS

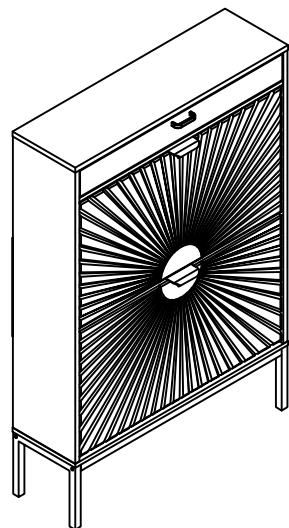
- Check if all the parts are complete before installation.
- Read through the instructions before installing the cabinet.
- Keep the small parts away from children to avoid the risk of swallowing.
- Screw the cabinet to the wall to avoid the risk of falling down.

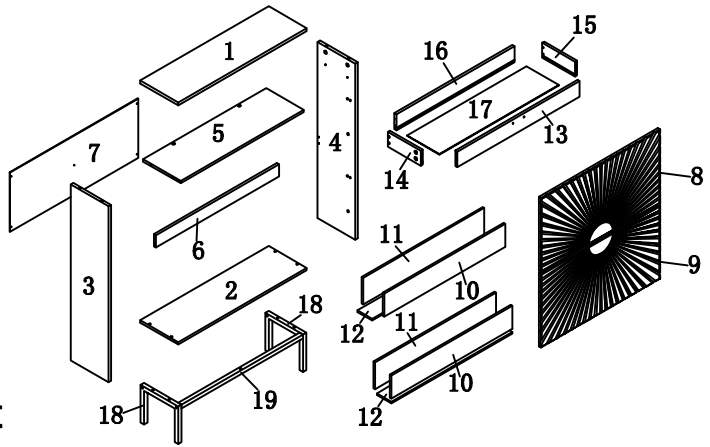
## TOOLS NEEDED

Screws Driver -1PC

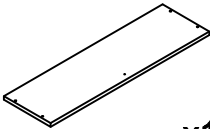
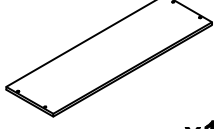


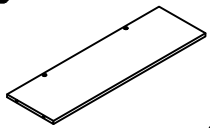
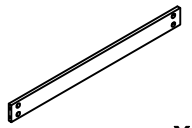
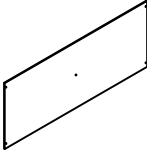
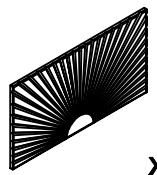
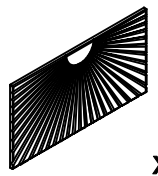
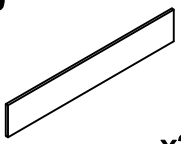
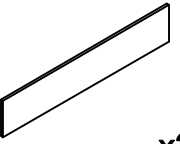
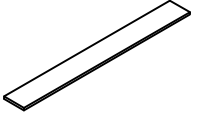
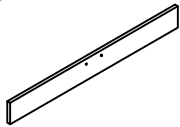
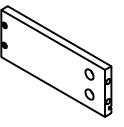
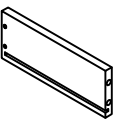
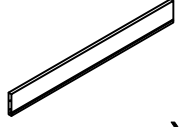
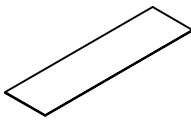
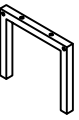
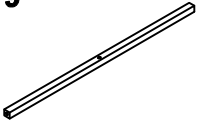




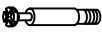

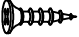


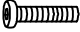
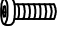
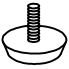
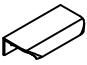







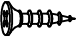



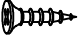

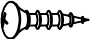
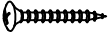
( Not included)



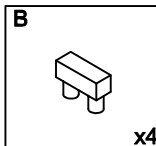
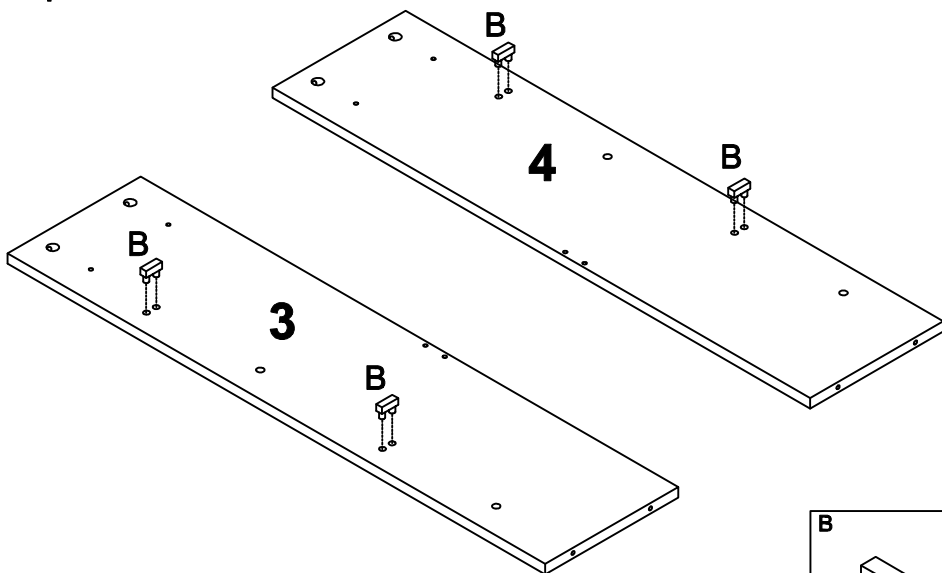


## Packing List

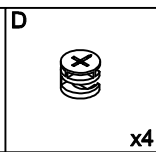
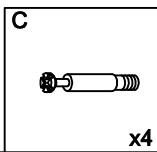
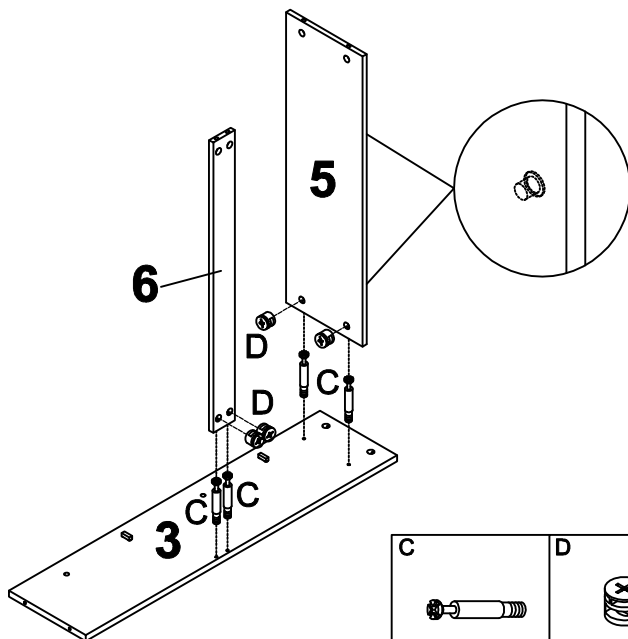
1  x1	2  x1	3  x1	4  x1
5  x1	6  x1	7  x1	8  x1
9  x1	10  x2	11  x2	12  x2
13  x1	14  x1	15  x1	16  x1
17  x1	18  x2	19  x1	

<b>A</b> M6x18  x4	<b>B</b>  x4	<b>C</b>  x16	<b>D</b>  x16	<b>E</b> M4x14  x18
<b>F</b>  x1	<b>G</b> M7x50  x4	<b>H</b> M6x45  x2	<b>I</b> M6x28  x5	<b>J</b>  x4
<b>K</b>  x2	<b>L</b> M4x16  x2	<b>M</b>  x2	<b>N</b>  x2	<b>O</b>  x4
<b>P</b>  x2	<b>Q</b> M3.5x40  x4	<b>R</b>  x1	<b>S</b> M3.5x12  x4	<b>T</b>  x1
<b>U</b> M6x10  x2	<b>V</b>  x4	<b>W</b> M3x14  x12	<b>X</b>  x2	<b>Y</b> M3.5x12  x4
<b>Z</b> M4x40  x2				

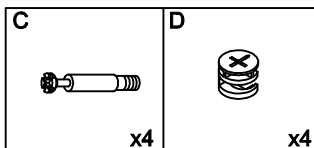
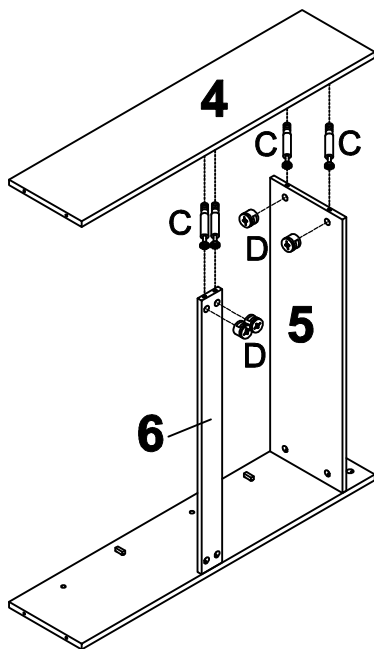
# Step 1



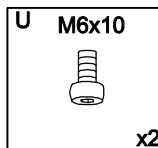
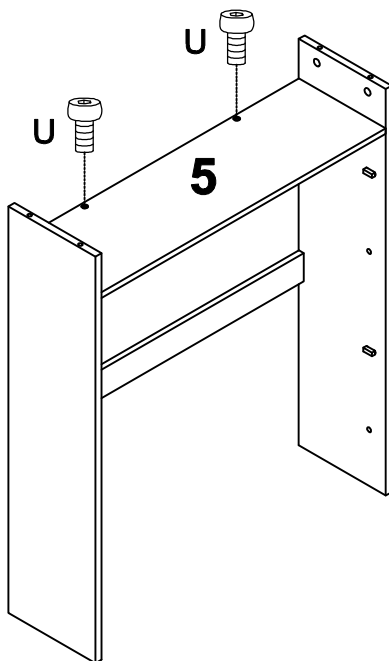
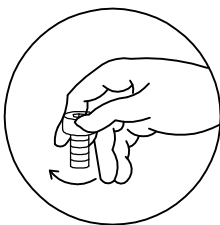
# Step 2



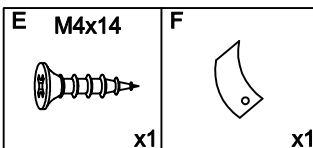
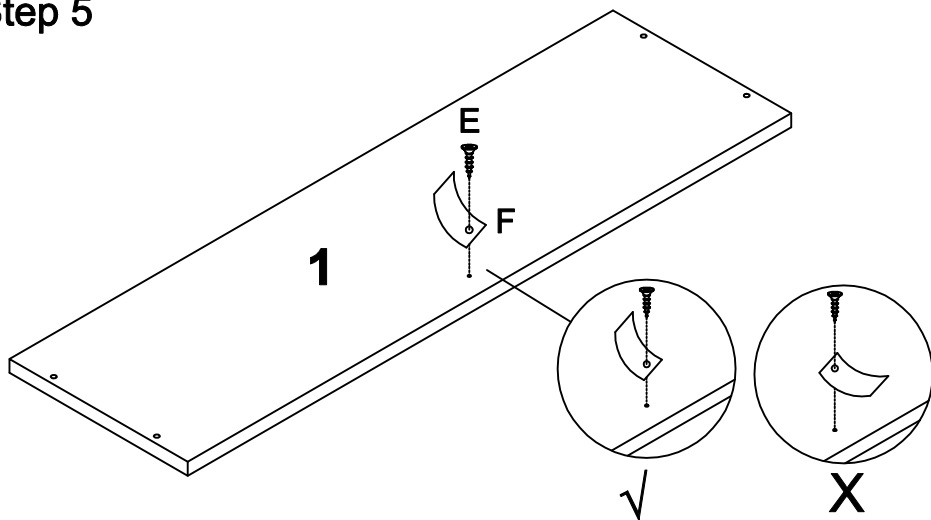
### Step 3



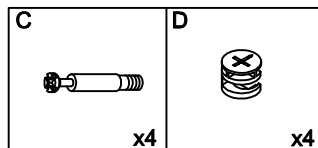
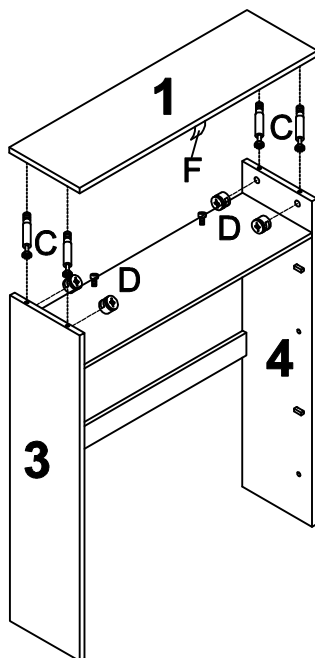
### Step 4



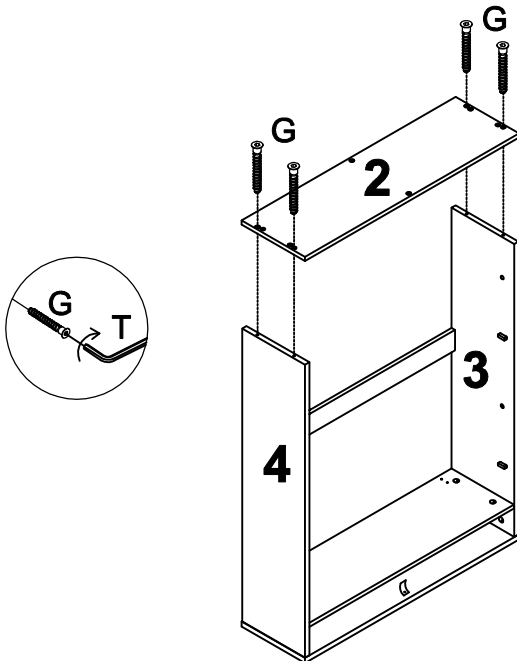
## Step 5



## Step 6



# Step 7

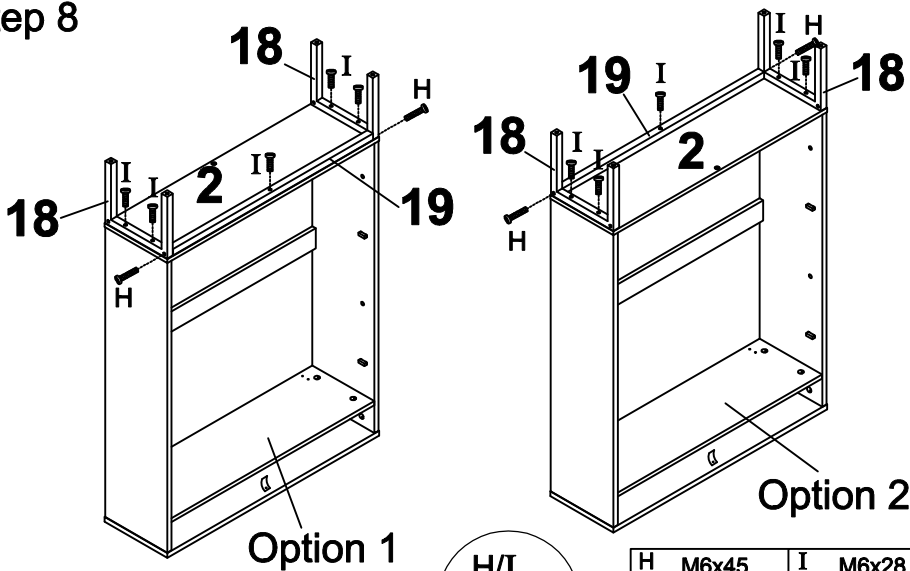


G M7x50



x4

# Step 8



Option 1

Option 2

H M6x45

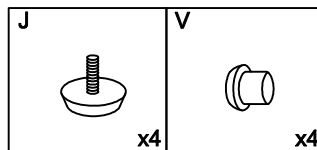
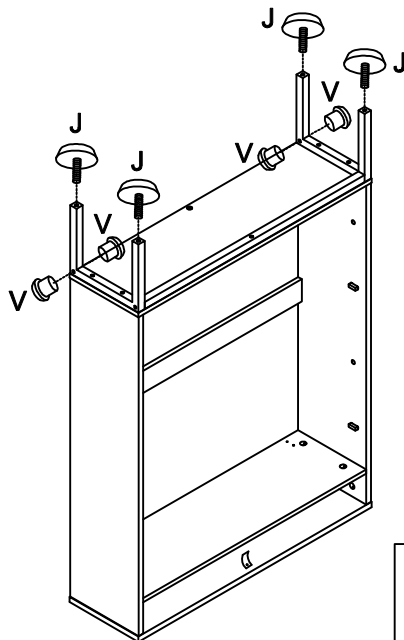
I M6x28



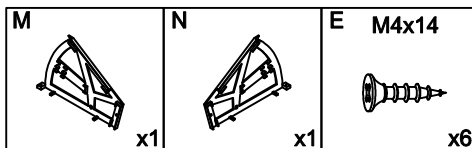
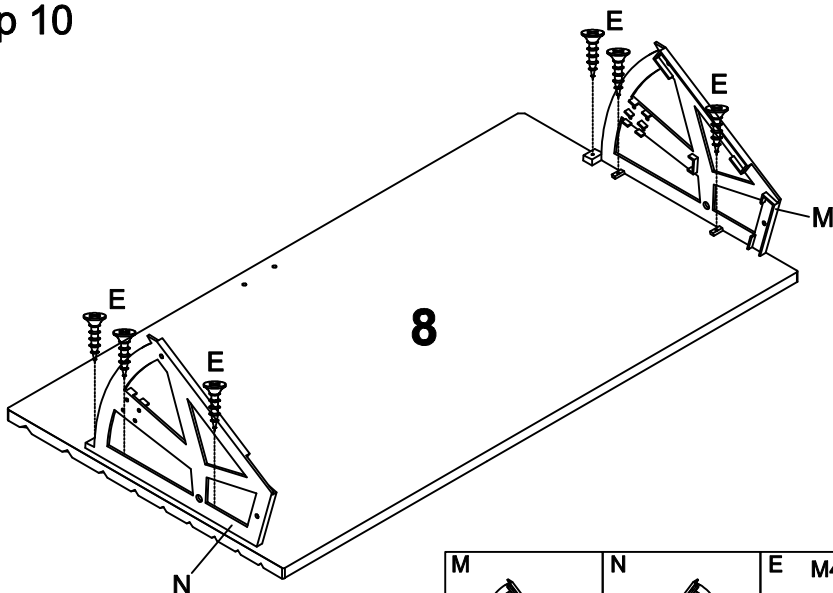
x2

x5

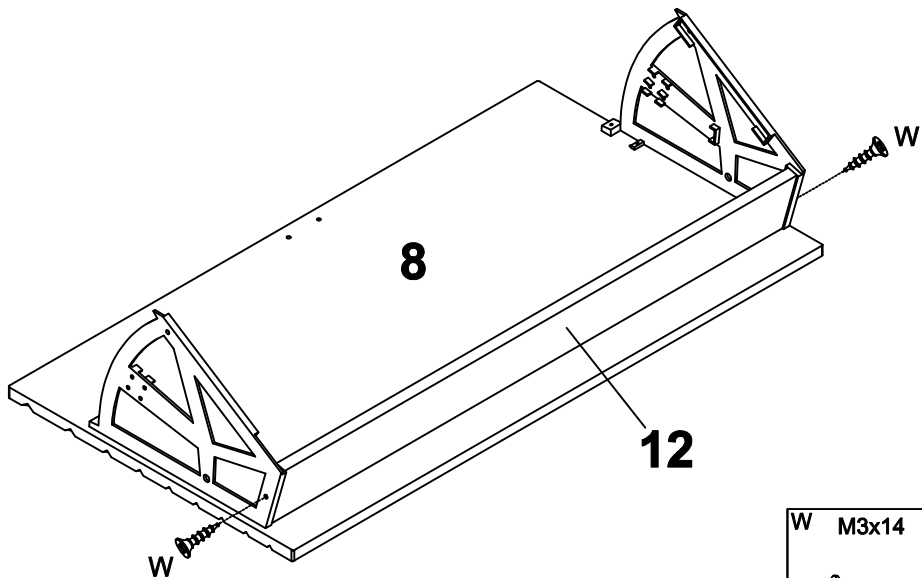
# Step 9



# Step 10



## Step 11

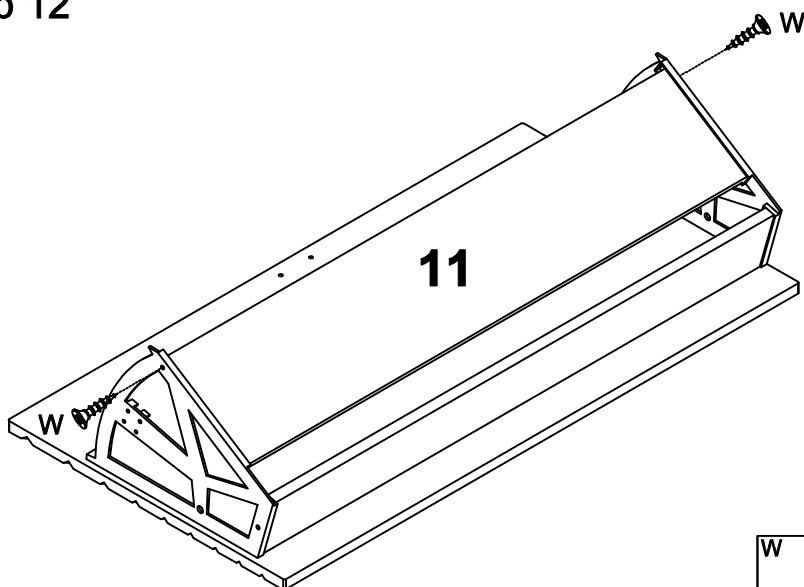


W M3x14



x2

## Step 12

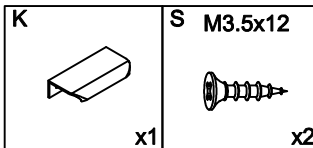
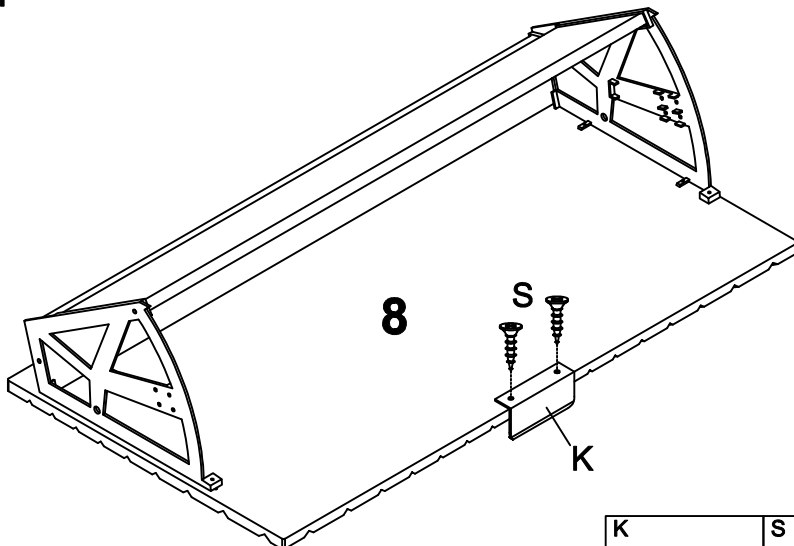


W M3x14

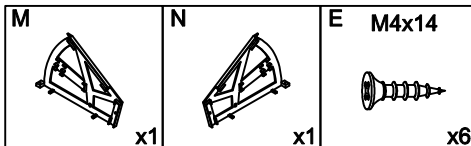
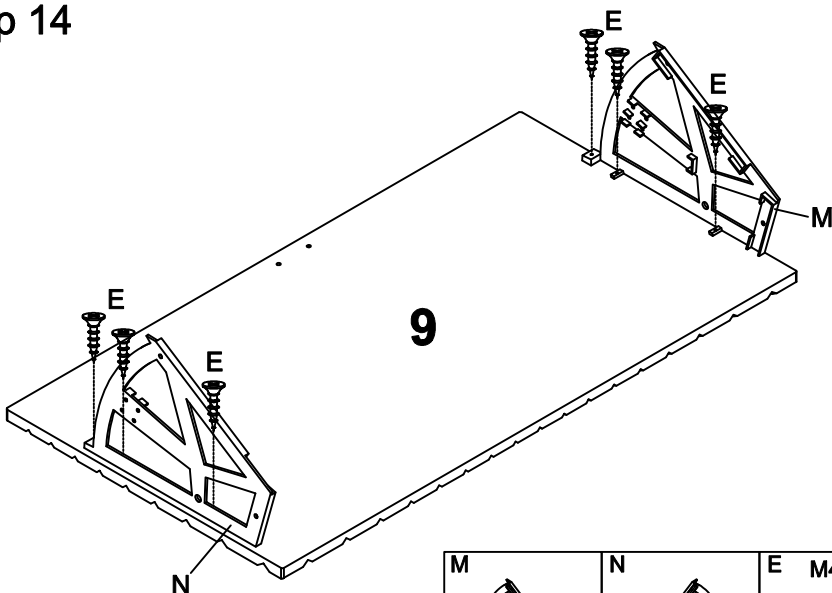


x2

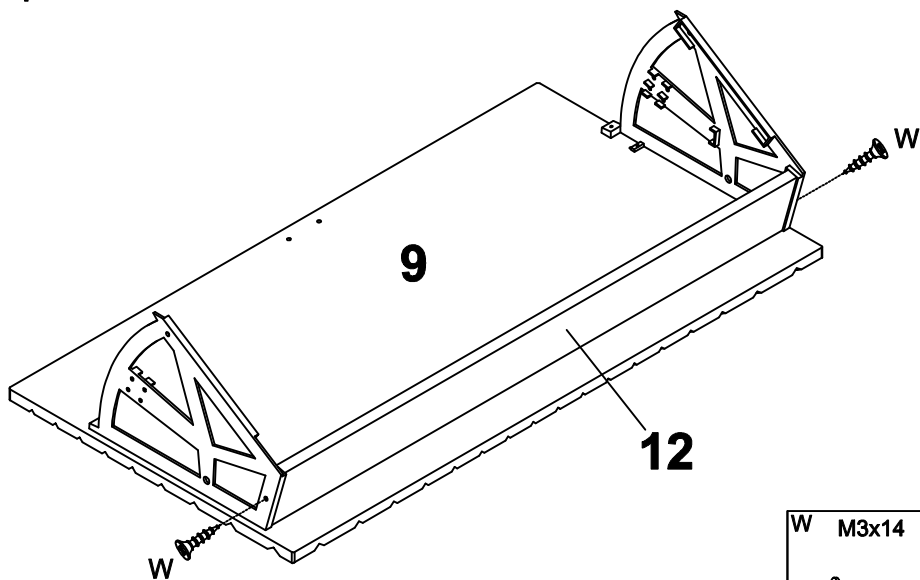
# Step 13



# Step 14



## Step 15

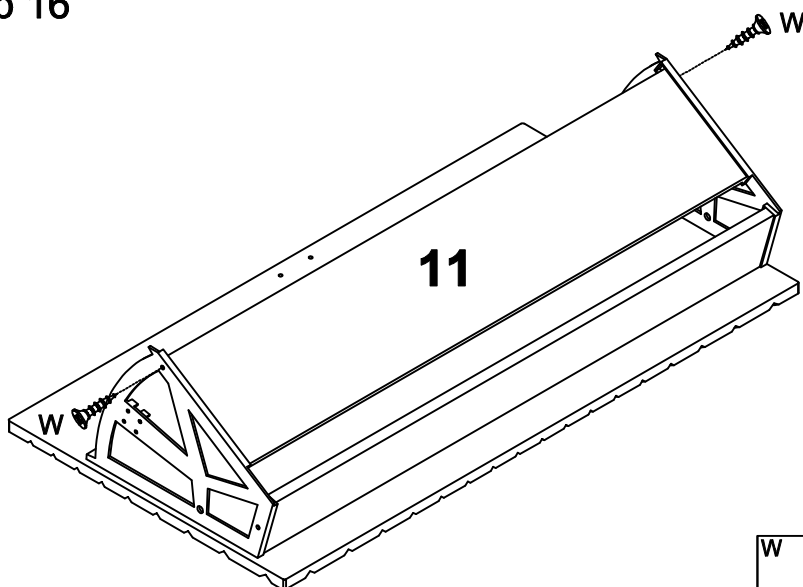


W M3x14



x2

## Step 16

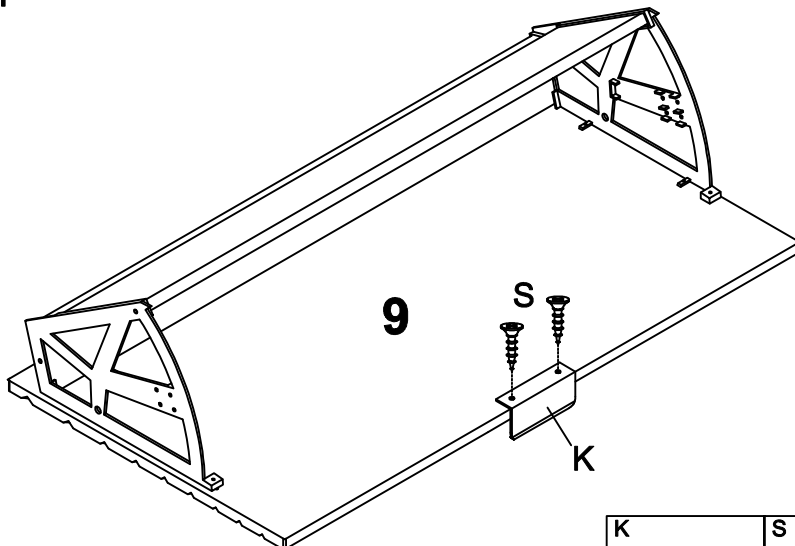



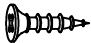
W M3x14



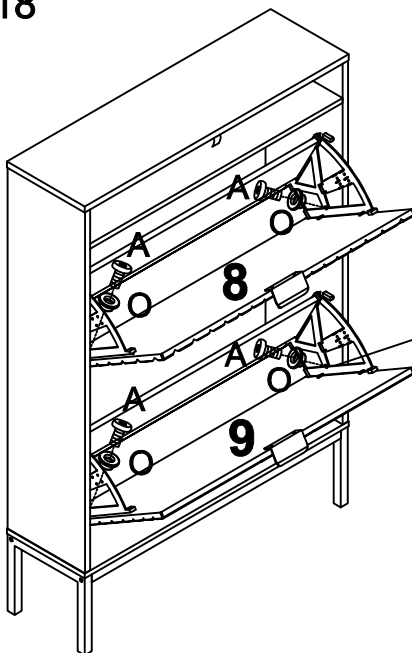
x2

# Step 17

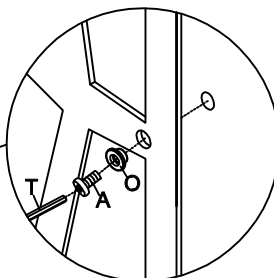




<p><b>K</b></p>  <p>x1</p>	<p><b>S</b> M3.5x12</p>  <p>x2</p>
---	--

# Step 18

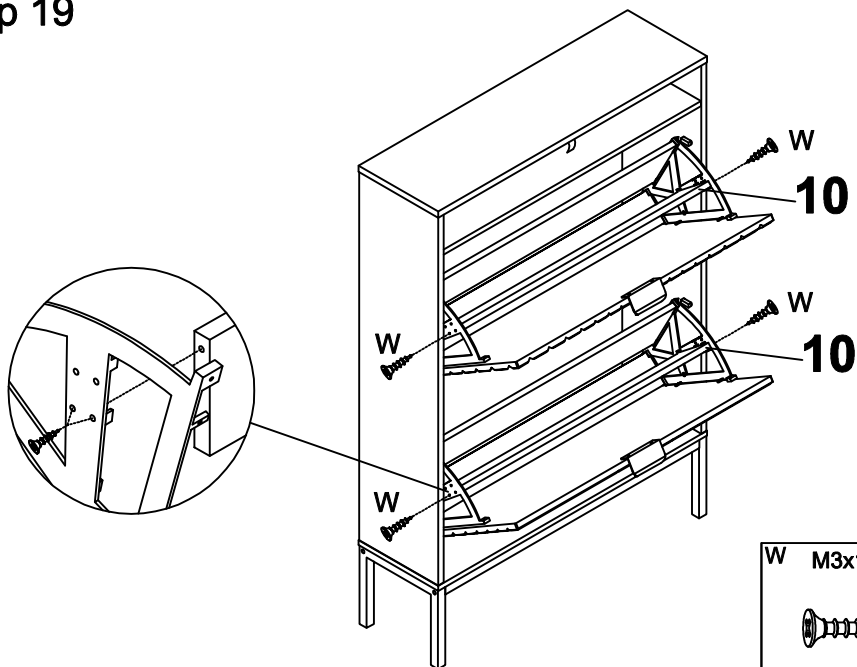


Put O parts firstly and then assemble A screws.

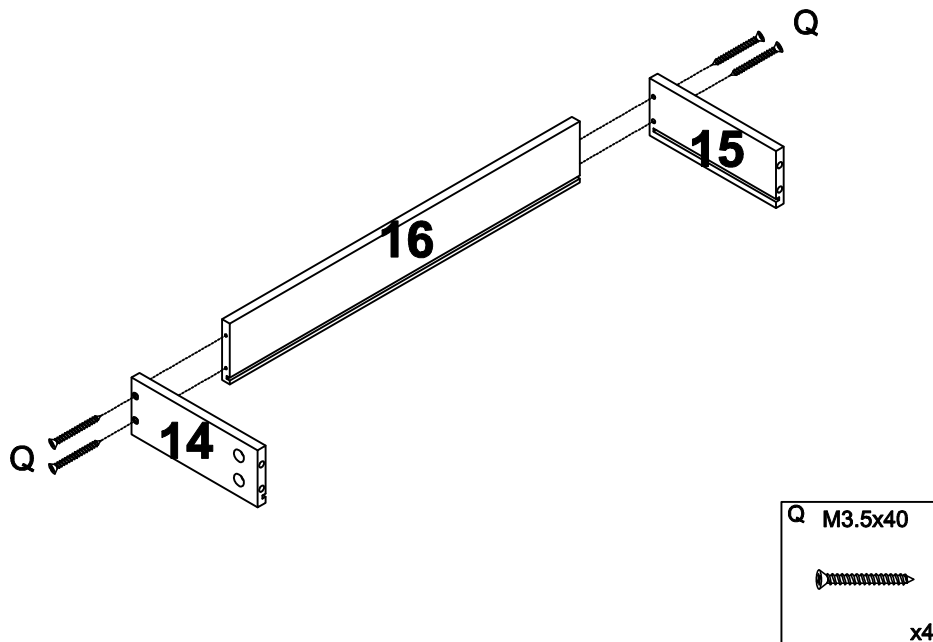


<p><b>A</b> M6x18</p>  <p>x4</p>	<p><b>O</b></p>  <p>x4</p>
---	--

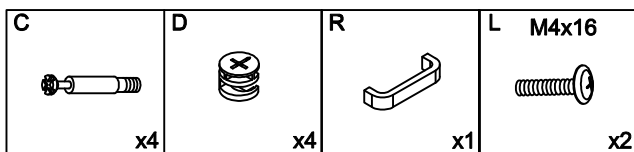
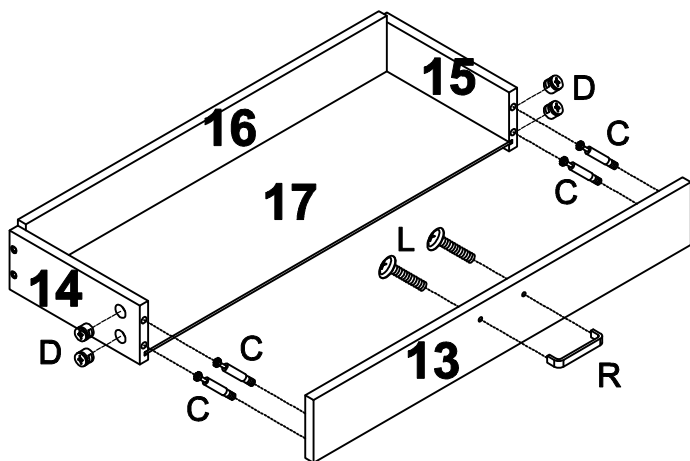
## Step 19



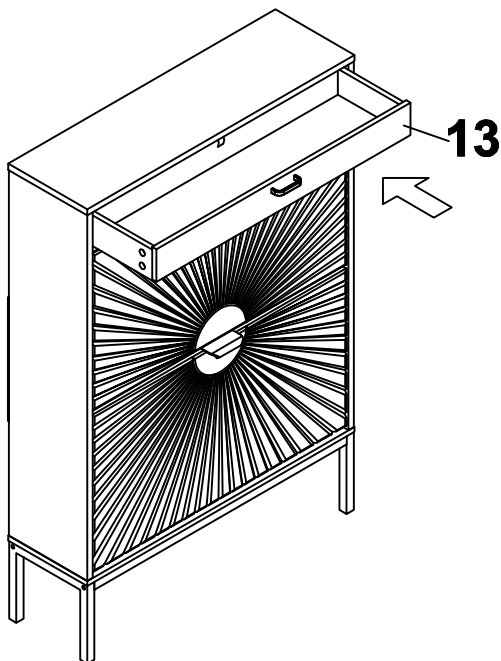
## Step 20



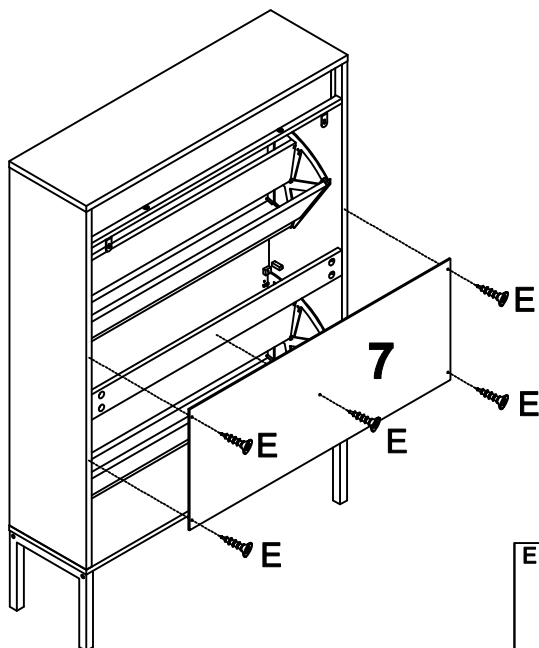
## Step 21



## Step 22



## Step 23

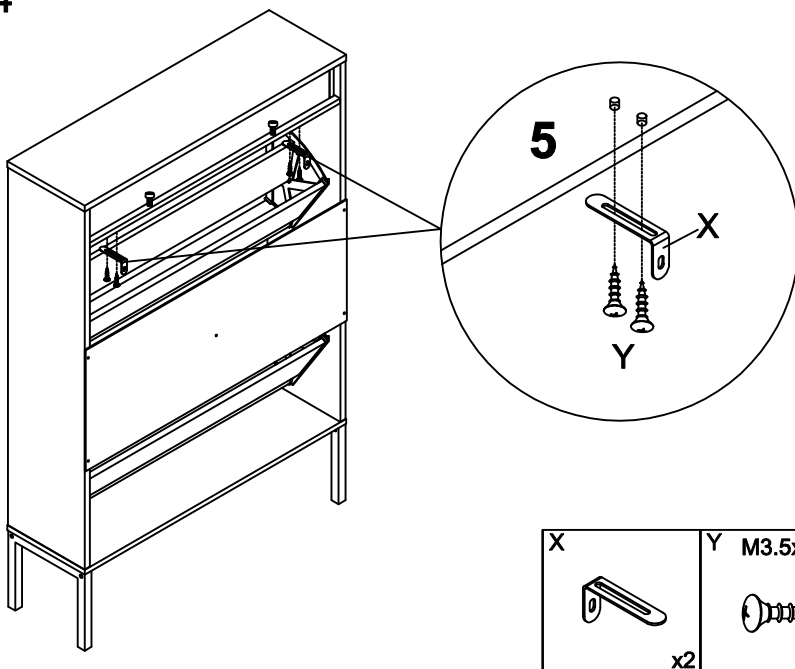


**E** M4x14



x5

## Step 24



**X**



x2

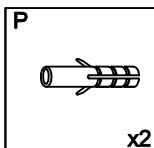
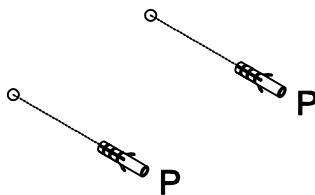
**Y**

M3.5x12

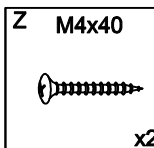
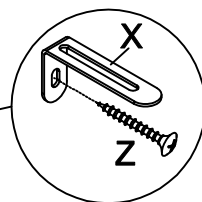
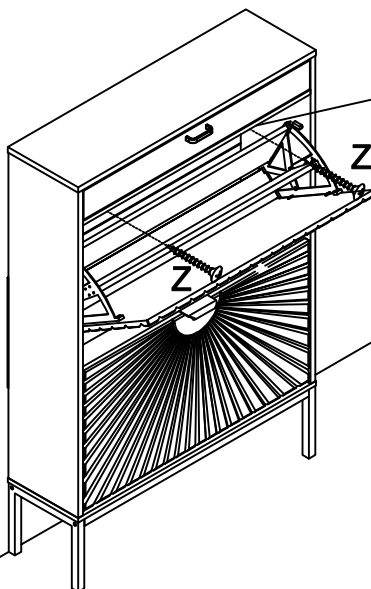


x4

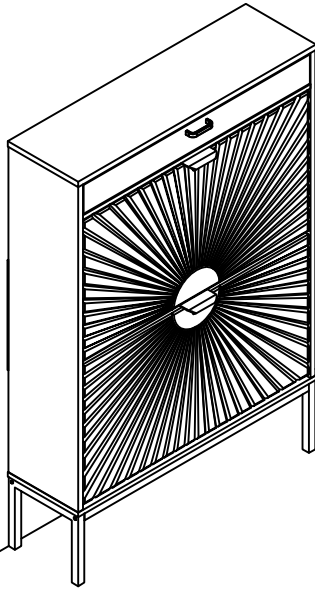
# Step 25



# Step 26



**Finish !!!**



## WARRANTY INFORMATION

- Do not expose the surfaces to direct sunlight or to extreme environmental conditions.
- Clean the surfaces preferable with a clean damp cloth, then dry with a clean towel.
- Do not use solvents or abrasive materials to clean the unit. If you decide to use a cleaning agent, test first on an area hidden from view.
- Replacement parts might be available to you at no charge, with an original proof of purchase and where a defect has arisen, wholly or substantially, as a result of faulty manufacturing, parts or workmanship during the Warranty Period.
- The warranty does not extend to regular wear and tear, nor the manufacturer assumes liability for damages or consequences due to accidents, incorrect assembly, negligence, improper use, modifications, or not heeding the above warnings.
- Thank you so much for your support! We hope you enjoy your purchase. If there is any damage or missing accessories, please feel free to contact us for free replacement or refund. You can quickly find us through with your order number, we will try our best to solve this problem for you.

Thank you !