

42" x 72" Bar Fire Table



WARNING: For outdoor use only (domestic)



WARNING: Improper installation, adjustment, alteration, service or maintenance can cause injury or property damage. Read the installation, operating, and maintenance instructions thoroughly before installing or servicing this equipment.



WARNING

Do not store or use gasoline, or other flammable vapors and liquids, in the vicinity of this or any other appliance. A LP-cylinder not connected for use shall not be stored in the vicinity of this or any other appliance.



DANGER If you smell gas:

1. Shut off gas to the appliance
2. Extinguish any open flame
3. If odor continues, keep away from the appliance and immediately call your gas supplier or fire department.



WARNING

Chemicals known to the State of California to cause cancer, birth defects, or other reproductive harm are created by the combustion of propane.



WARNING

Byproducts of the combustion of propane contain chemicals known to the State of California to cause cancer or other reproductive harm.



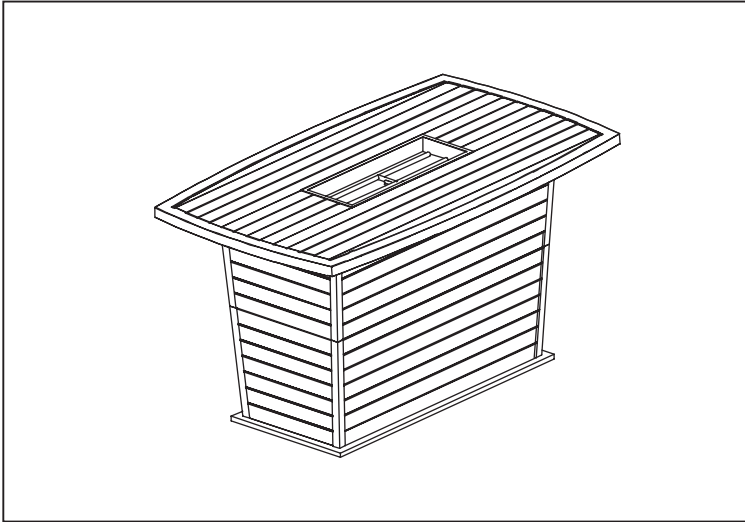
DANGER



CARBON MONOXIDE HAZARD

This appliance can produce carbon monoxide which has no odor. Using it in an enclosed space can kill you. Never use this appliance in an enclosed space such as a camper, tent, car, or home.

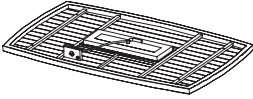
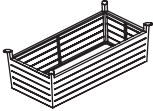
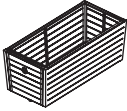
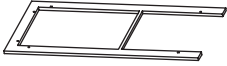

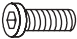
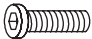



42"x 72" Bar Fire Table



ASSEMBLY INSTRUCTIONS

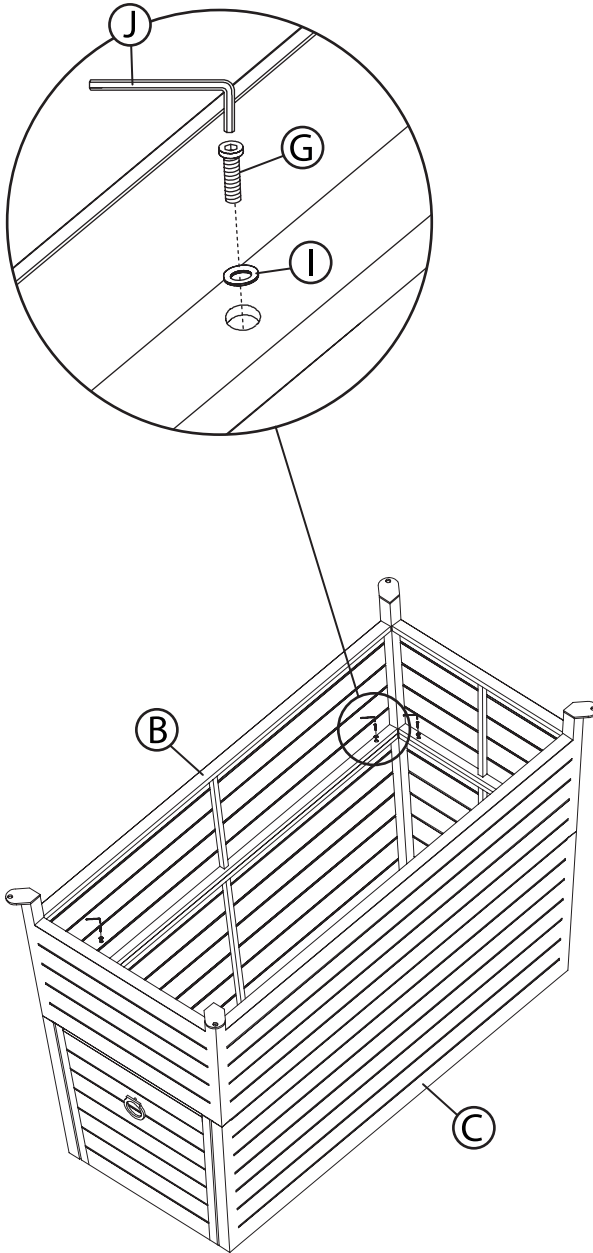
IMPORTANT, RETAIN FOR FUTURE REFERENCE.

PARTS LIST

NO.	PICTURE	PART DESCRIPTION	QTY.
A		Table top	1
B		Top base section	1
C		Bottom base section	1
D		Table base stabilizer	1
E		Door base stabilizer	1
F		Bolt (M6*20)	4
G		Bolt (M6*30)	6
H		Bolt (M6*35)	8
I		Washer (13*1.0)	18
J		Allen wrench #4	1

Step 1.

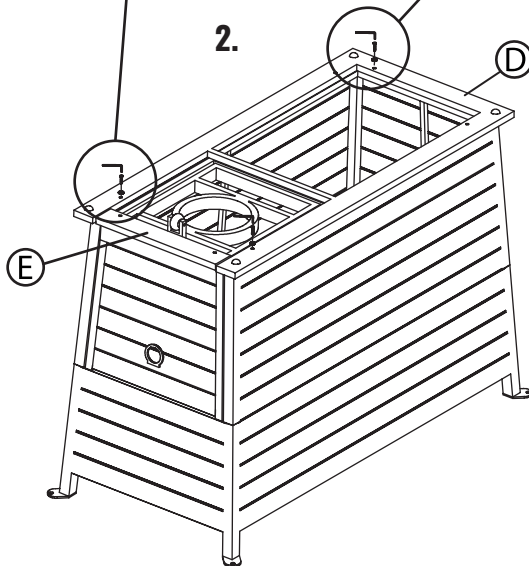
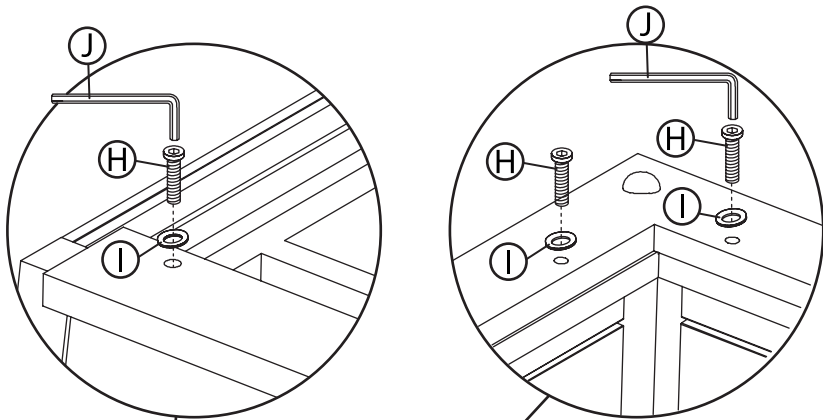
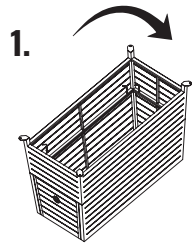
CONNECT TOP AND BOTTOM BASE SECTIONS - Connect the top base section (B) to the bottom base section (C) using bolts (G), washers (I) and Allen wrench (J).



Step 2.

ATTACH THE BOTTOM BASE AND DOOR STABILIZER

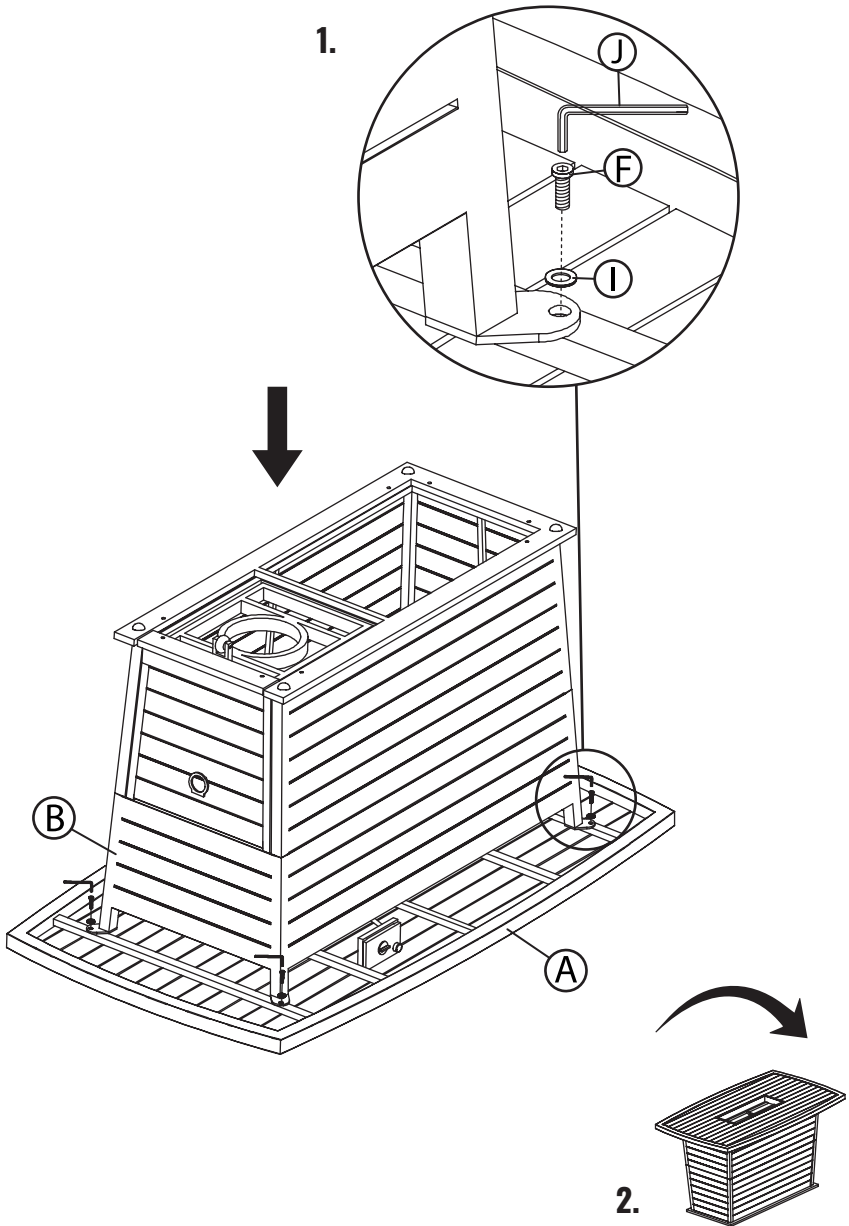
1. Flip the assembled fire table base upside down.
2. Attach the door and table base stabilizers (E), (D) to the bottom of the fire table using bolts (H), washers (I), and Allen wrench (J).



ATTACH THE BOTTOM BASE AND DOOR STABIIZER

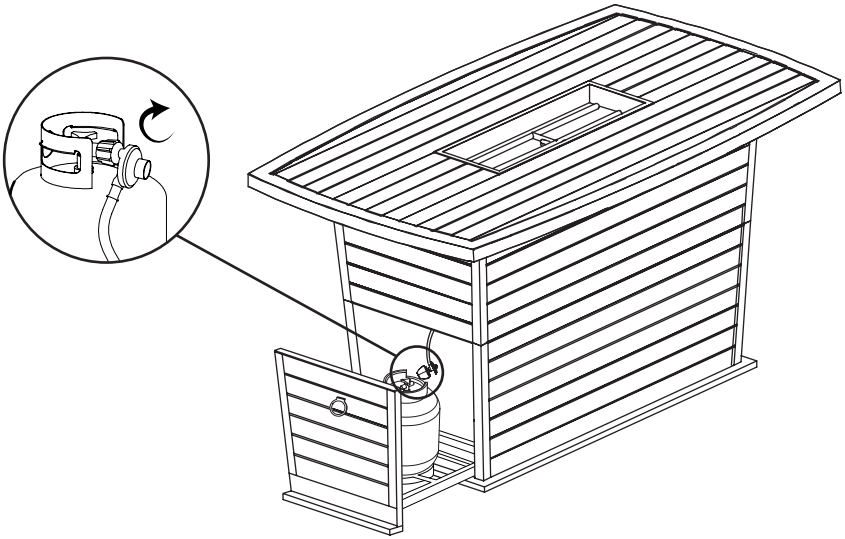
Step 3.

1. With table top (A) upside down, position the assembled base into place on top of table top. Attach the base to the table top (A) using bolts (F), washers (I), and Allen wrench (J).
2. Flip the assembled fire table right side up.



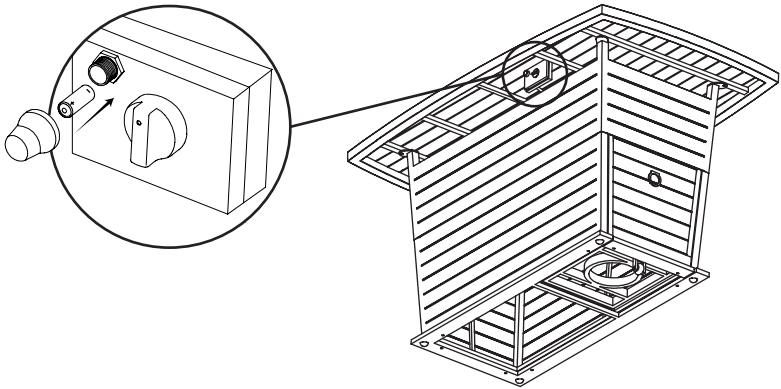
Step 4.

PROPANE TANK ATTACHMENT - Attach the LP hose from the burner tray to the LP tank (not included). The marked cylinder LPG capacity is 20 lbs. As stated by the cylinder manufacturers.



Step 5.

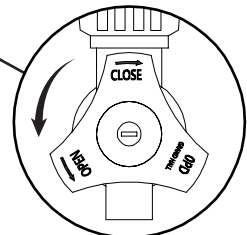
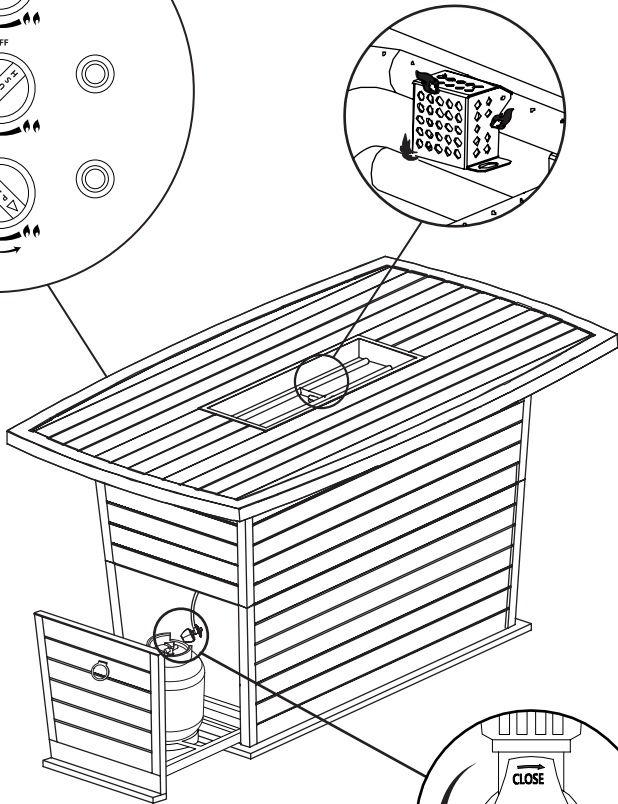
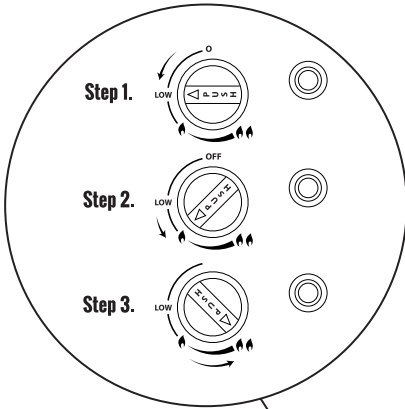
PREPARE FOR LIGHTING - Place a AA battery (not included) in the LP Valve/Starter Panel before trying to ignite.
CAUTION: Before igniting, turn the valve on the LP tank. Apply soap water onto all of the leaking components. If bubbles appear, tighten it and apply soap water again. If no bubbles appear, turn off the valve and proceed to ignite. If there are still bubbles, please contact.



Step 6.

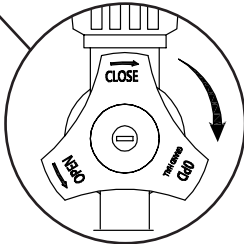
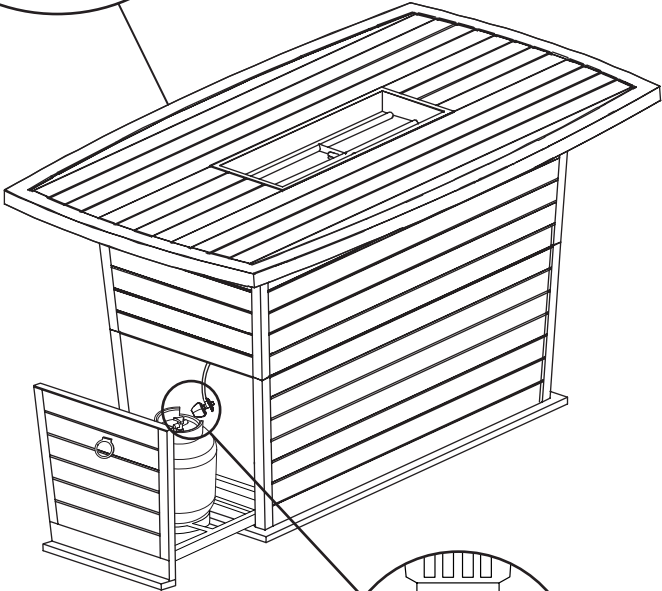
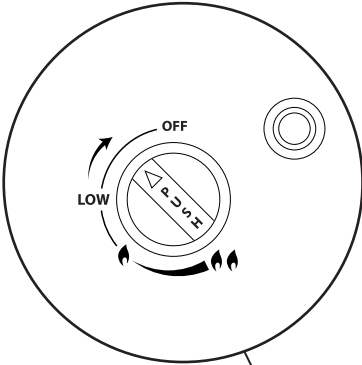
LIGHTING INSTRUCTIONS - Make sure the propane tank valve is open before proceeding. Improper lighting procedures may cause potential consequences.

1. To ignite, push the regulator knob forward and turn one quarter turn counter clockwise to the "low" position.
2. With the valve depressed, push the igniter button to make the pilot burner fire. Once the pilot burner is fired, hold down the valve for over ten seconds to prevent the pilot burner flame from extinguishing, then release it.
3. To lower the flame once fired, turn the valve without pushing it. To increase the flame, push the valve in and turn it counter clockwise toward the high fire. If the flame is not in a stable condition (making noise, flame swaying, etc.), please turn it off immediately and call.



Step 7.

SHUTTING OFF THE FIRE TABLE - To shut off, close the valve at the propane tank taking care to ensure the flame is completely extinguished. Push the regulator valve in and turn to the off position. Allow 5-minutes of complete shut off before the appliance is reignited.



METAL FRAME MAINTENANCE

Our furniture incorporates metal frames, which are design to require minimum maintenance.

- Metal frames should be kept clean.
- Do not let dirt build up on the metal surfaces.
- Cleaning with mild soap and water is all that is required.
- Never leave furniture in standing water.
- To keep your furniture looking it's best, you may wish to store or cover your furniture when not in use for an extended period of time.

NATURAL AND FAUX STONE TOPS

All natural stone table tops, including tumbled marble, polished marble and granite, are treated at the factory with an impregnating sealer that penetrates deep into the porous surface providing a long lasting barrier that locks out oils, water, stains and dirt.

- Spills should be wiped up quickly to avoid any staining on the surface. Regular cleaning with mild soap and water with a sponge or soft scrub brush is all that is required.
- Regular residential use should not require resealing for at least 2 to 4 years.
- Natural stone tops will fade in direct sunlight over time. This fading is a natural process and will be more noticeable on brightly colored stones and polished marble.
- Stone tops may be re-polished professionally, and always require resealing after polishing.
- Storing or covering your natural stone top when not in use for extended periods of time is recommended.

FIRE PIT OWNERS MANUAL

Important: Read these instructions carefully before starting installation of the outdoor fire table.

Operation Checklist

For a safe and pleasurable heating experience, perform this check before each use:

Before operating, confirm:

1. I am familiar with the entire owner's manual and understand all precautions noted.
2. All components are properly assembled, intact, and operable.
3. No alterations have been made.
4. All gas connections are secure and do not leak.
5. Wind velocity is below 10 mph.
6. Unit will operate at reduced efficiency below 40° F/ 4° C
7. Fire pit is outdoors and outside of any enclosure.
8. There is adequate fresh air ventilation. Do not use this appliance if any part has been under water. Immediately call a qualified service technician to inspect the appliance and to replace any part of the control system and gas control which has been under water.
9. Fire pit is away from gasoline or other flammable liquids or vapors.
10. Fire pit is away from windows, air intake openings, sprinklers, and other water sources.
11. Fire pit is at least 36 inches on rear and at least 36 inches on sides from combustible materials.
12. Fire pit is on a hard and level surface.
13. There are no signs of spider or insect nests.
14. All burner passages are clear.
15. All air circulation passages are clear.

Warnings:

1. Children and adults should be alerted to the hazards of high surface temperatures and should stay away to avoid burns or clothing ignition.
2. Young children should be carefully supervised when they are in the area of the fire pit.
3. Clothing or other protective material should not be hung from the fire pit, or placed on or near the fire pit.
4. Any guard or protective device removed for servicing the fire pit must be replaced prior to operating the fire pit.
5. Installation and repair should be done by a qualified service person. The fire pit should be inspected before use and at least annually by a qualified service person.
6. More frequent cleaning may be required as necessary. It is imperative that control compartment, burner, and circulating air passageways of the fire pit be kept clean.

After operation:

1. Gas control is in the OFF position.
2. Gas tank valve is turned OFF.
3. Disconnect the gas line.
4. After each use, replace the cap on the tank.

Before beginning assembly, make sure all parts are present. Compare parts with the package contents list and hardware contents above. If any part is missing or damaged, do not attempt to assemble the product. Contact customer service for replacement parts.

Important: for safe operation and proper performance of this product and to comply with certification, listings, and building code acceptances, use only our controls, parts, and accessories that have been specifically listed for use with this burner system. Use of other controls, parts, or accessories is prohibited and will void all warranties, certifications, listings, and building code approvals, and may cause property damage, personal injury, and loss of life.

WARNINGS

Estimated assembly time: 15 minutes

Tools required (not included): Phillips screwdriver with medium blade, and leak detection solution.

Code and supply requirements: the installation of this product must conform with local codes or, in the absence of local codes, with the latest National Fuel Gas Code, ANSI z223.1.

! **DANGER** If you smell gas:

1. Shut off gas to the appliance
2. Extinguish any open flame
3. If odor continues, keep away from the appliance and immediately call your gas supplier or fire department.

! **WARNING**

Do not store or use gasoline, or other flammable vapors and liquids, in the vicinity of this or any other appliance.

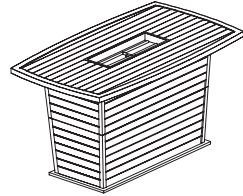
A LP-cylinder not connected for use shall not be stored in the vicinity of this or any other appliance.

Installer and Consumer

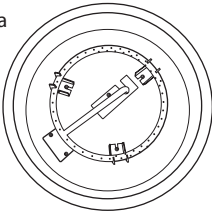
these instructions **MUST** be retained with this appliance for future reference. For outdoor use only. If stored indoors, detach and leave the cylinder outdoors.

Parts List:

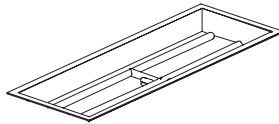
1. Fire table
2. P81001 or P81002 Burner Pan (natural or propane)
3. Control Knob
4. NG orifice and air shutter
5. Fire pan outline border



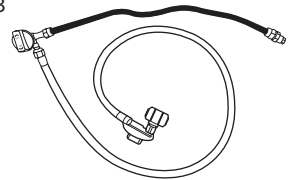
2a



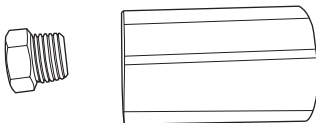
2b



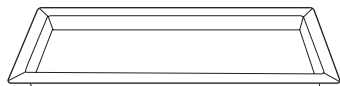
3



4



5



WARNINGS

PRE-INSTALLATION AND PREPARATION SAFETY GUIDELINES

1. Before installing this unit, check the minimum clearance to combustibles to ensure that the surrounding area is **properly sized for the installation**.
2. The unit is for outdoor use only. DO NOT install or use this appliance inside of a building, garage, or any other enclosed area, including recreational vehicles and/or boats. This unit must be installed in such a manner that the vent opening at the base of the unit remains clear and free of all obstructions at all times during all weather conditions.
3. CHECK GAS TYPE (natural or propane): the gas supply you intend to use may not be the same as that stated on the unit rating plate as purchased. If the gas supply is different, convert the unit to the gas type you intend to use. See the **CONVERTING TO A DIFFERENT GAS TYPE** section. If you are unsure, contact the dealer for assistance. ONLY MANUAL UNITS ARE CONVERTIBLE.
4. FOR NATURAL GAS: The minimum inlet gas-supply pressure for purposes of input adjustments is 3.5" water column (w.c.), and the maximum inlet gas-supply pressure is 10.5" w.c. FOR PROPANE: The minimum inlet gas supply pressure for purposes of input adjustment is 8" w.c., and the maximum inlet gas supply 13" w.c. DO NOT INSTALL THIS UNIT IF MINIMUM PRESSURE IS NOT AVAILABLE OR IF MAXIMUM PRESSURE IS EXCEEDED.
5. Gas piping system must be sized to provide inlet pressure at the maximum flow rate (BTU/hr). Undue pressure loss will occur if the pipe is too small, or the run is too long.
6. For installations at elevations above 2,000 ft., contact your local dealer or gas supplier before installing. Input ratings should be reduced approximately 4% for each 1,000 ft. above sea level. Refer to the national Fuel Gas Code.
7. The unit and its individual shutoff valve must be disconnected from the gas-supply piping system during any pressure testing of that system at test pressures in excess of ½ psi (3.5 kPa). This is accomplished by closing the gas supply line valve. The unit must be isolated from the gas supply piping system by closing its individual manual shutoff valve during any pressure testing of the gas-supply piping system at test pressures equal to or less than ½ psi (3.5 kPa).
8. INSTALLER NOTE: This unit should be installed so that it can be removed if service is required.
9. GAS-SUPPLY PLUMBING REQUIREMENTS:
 - a. Apply only joint compounds that are resistant to all gases on all male pipe fittings. Make sure to tighten every joint securely. Do not use pipe joint compound to connect flare fittings. Bring the gas-supply pipe up from beneath the enclosure near its center (if applicable).

Caution: Installation and maintenance must be done by an NFI Certified or other qualified professional installer. Installer, read these instructions before installing this product. Be sure you understand all safety precautions and warnings contained in this manual.

Note: An external on/off valve in the gas line is required for safety when the unit is not in use. It also provides for convenient maintenance and repair.

INSTALLATION SAFETY GUIDELINES

1. Installation and repair should be done by a qualified service person. The appliance should be inspected before use and at least annually by a qualified service person. More frequent cleaning may be required as necessary. It is imperative that control compartment, burners, and circulating air passageways of the appliance be kept clean.
2. Carefully inspect for shipping damage. If any parts are damaged, call the dealer.
3. Correct installation and proper placement of the unit and decorative media is crucial to the safe performance of the unit. See installation instructions for further information.
4. Ensure that the unit is installed in such a manner that the vent opening at the base of the unit remains obstacle-free at all times and during all weather conditions.
5. Due to high temperatures, the unit must be located out of traffic areas and away from combustibles.

OPERATING THE UNIT SAFELY AND CORRECTLY

1. This appliance is only intended for operation in temperatures above 32° F.
2. When shutting the unit down make sure to turn the control valve FULLY OFF.
3. Children MUST be carefully supervised when they are in the area of this appliance.
4. DO NOT sit or place any part of the body, clothing, or other flammable materials on or near the unit surrounding. Children and adults should be alerted to the hazard of high surface temperatures and should stay away to avoid burns or clothing ignition.
5. Every time you use the unit, make sure that:
 - a. The area around the unit is clear and free from combustible materials, gasoline, and other flammable vapors and liquids.
 - b. There is no blockage of the airflow through the vent openings located on the bottom of the unit.
 - c. The hose is inspected (if applicable). See the SAFE USE AND MAINTENANCE OF PROPANE-GAS CYLINDERS section.
6. **WARNING: HOT WHILE IN OPERATION AND FOLLOWING OPERATION.** Serious injury can occur! Do NOT throw trash, paper, or other flammable materials in the unit. DO NOT leave in operation when unattended. DO NOT OPERATE THIS UNIT IN THE RAIN.
7. **SOLID FUEL MUST NOT BE BURNED IN THE UNIT.**
8. DO NOT continue using if you smell unusual odors or have headaches, nausea, or dizziness.
9. DO NOT store any combustible materials, gasoline, and any other flammable vapors/liquids in the vicinity of this unit. Provide adequate clearance for servicing and operation.
10. Matches, paper, garbage, or any other material must not be thrown into the unit or into the flame.
11. DO NOT use the unit if any part of it has been underwater. Immediately call a qualified professional service technician to inspect the set and to replace any part of the control system that has been underwater.

SAFE USE & MAINTENANCE OF PROPANE GAS BOTTLES

IMPORTANT FOR YOUR SAFETY

READ AND FOLLOW ALL WARNINGS PROVIDED WITH THE PROPANE GAS CYLINDER

When operating this appliance with a propane-gas cylinder, these instructions and warnings MUST be observed.

FAILURE TO DO SO MAY RESULT IN A SERIOUS FIRE OR EXPLOSION.

CYLINDER/ CONNECTOR REQUIREMENTS

1. Propane-gas cylinders, valves, and hoses must be maintained and in good condition and must be replaced if there is visible damage to either the cylinder or valve. If the hose is cut or shows excessive abrasion or wear, it must be replaced before using the gas appliance (see 5).
2. This unit, when used with a cylinder, should be connected to a standard 5-gallon (20 lb.) propane gas cylinder equipped with an OPD (Overfill Prevention Device). The OPD has been required on all cylinders sold since October 1, 1998, to prevent overfilling.
3. Cylinder dimensions should be approximately 12" (30.5 cm) in diameter and 18" (45.7 cm) high. Cylinder must be constructed and marked in accordance with the Specifications for Propane Gas Cylinders of the U.S. Department of Transportation (DOT) or the National Standard of Canada, CAN/CSA-B-339, Cylinders, Spheres, and Tubes for Transportation of Dangerous Goods.
4. The cylinder used must include a collar to protect the cylinder valve, and the cylinder supply must be arranged for vapor withdrawal.
5. The pressure regulator and hose assembly (figure 7-1) supplied with this outdoor cooking gas appliance must be used. Original and replacement pressure regulator and hose assemblies must be those specified by the manufacturer for connection with a cylinder connecting device identified as Type I by the ANSIZ21.58-2005/CGA 1.6-2005 (see PARTS LIST for ordering information).
6. The propane gas cylinder valve must be equipped with a cylinder connection coupling device, described as Type I in the standard defined in no. 5 above. This device is commonly described as an Acme thread quick coupler.
7. If the propane gas cylinder comes with a dust plug, place the dust cap on the cylinder valve outlet whenever the cylinder is not in use.

QUICK COUPLER OPERATION

To connect the regulator/hose assembly to the propane-gas cylinder valve fitting: Press the hand nut on the regulator over the Acme thread fitting on the cylinder valve. Turn the hand nut clockwise to engage the threads and tighten until snug.

The use of pliers or a wrench should not be necessary. Only cylinders marked "propane" may be used.

To disconnect: Turn the hand-nut counterclockwise until detached (Fig. 7.1). Important: Before using the unit, and after each time the cylinder is removed and reattached, check the hose for wear (see no. 1) and check all connections for leaks. Turn off the unit valves and open the main cylinder valve, then check connections with the soapy water. Repair any leaks before lighting the unit.

CAUTION: Always turn the propane cylinder main valve off after each use, and before moving the unit and cylinder or disconnecting the coupling. This valve must remain closed and the cylinder disconnected while the appliance is not in use, even though the gas flow is stopped by a safety feature when the coupler is disconnected.

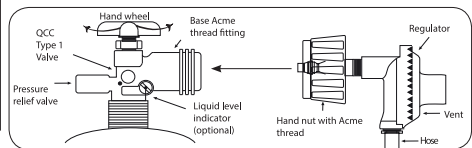
Carefully inspect the hose assembly each time before the gas is turned on. A cracked or frayed hose should be replaced immediately.

If the appliance is stored indoors, the cylinder must be disconnected and removed. Disconnected cylinders must be stored outdoors, out of the reach of children, with threaded valve plugs tightly installed, and must not be stored in a building, garage, or any other enclosed area.

FOR YOUR SAFETY

1. DO NOT store a spare propane-gas cylinder under or near this appliance.
2. NEVER fill the cylinder beyond 80-percent full.
3. IF THE INFORMATION IN NO.1 AND NO.2 IS NOT FOLLOWED EXACTLY, A FIRE CAUSING DEATH OR SERIOUS INJURY MAY OCCUR.

FIG. 7-1



IMPORTANT SAFETY INFORMATION

BE CAREFUL

If not installed and used correctly per these instructions, this product can cause serious injury.

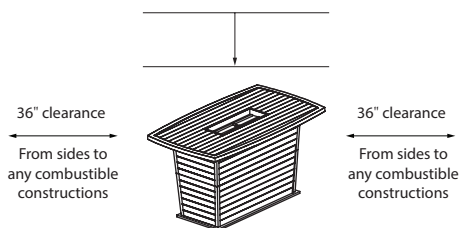
CAUTION: Installation and maintenance must be done by an NFI Certified or other qualified professional installer. Read these instructions before installing this outdoor fire table. Be sure you understand all safety precautions and warnings contained in this manual.

1. FOR OUTDOOR USE ONLY. THIS UNIT MUST BE INSTALLED AT LEAST 36" FROM ANY COMBUSTIBLE WALLS OR MATERIAL. IT MUST NOT BE INSTALLED UNDER ANY TYPE OF CEILING OR OVERHANG. (see Fig. 9.1)
2. When shutting the unit down—be sure to TURN THE CONTROL VALVE FULLY OFF.
3. WARNING: CARBON MONOXIDE POISONING MAY LEAD TO DEATH. DO NOT MODIFY THIS OUTDOOR FIREPIT OR ITS CONTROLS, EXCEPT AS PROVIDED FOR IN THIS MANUAL. Any other change may be dangerous. Improper installation or use of the outdoor firepit can cause serious injury or death from fire, burns, explosions, or carbon monoxide poisoning.
4. Check state and local codes to determine if the outdoor fire pit is permitted in your locality before installation.

MINIMUM CLEARANCE TO COMBUSTIBLES

FIG. 9-1

Note: Nothing should be above the fire pit



Minimum Clearance to Combustible Construction:

NOTE: NOTHING SHOULD BE ABOVE THE FIRE PIT
36" clearance between sides to any combustible construction

Clearance to combustible construction:

Side walls: 36" from edge of top ring (Figure 9.1)

Ceiling: Nothing should be above the fire pit.

Flooring: 0"- can be installed on deck, slab, floor, etc.

The dimensions shown in Fig. 9.1 are **MINIMUM CLEARANCES** to maintain when you install this outdoor fire pit. ALL SIDES of the enclosure opening must be **AT LEAST 36"** from any combustible side walls. The unit **MUST NOT BE** installed under any type of ceiling or overhang.

INSTALLATION

Important: Be sure you have read and understand all safety precautions and warnings contained in this manual.

BEFORE PROCEEDING, CAREFULLY READ ALL OF THE IMPORTANT SAFETY INFORMATION CONTAINED IN THIS OWNER'S MANUAL, INCLUDING:

- A. Pre-installation and preparation safety guidelines
- B. Installation and safety guidelines
- C. Minimum clearance combustibles.

BE SURE THE GAS SUPPLY FOR THE UNIT IS TURNED OFF.

Note: when installing the unit to natural gas or household propane, you must have a gas-supply line that has been installed by a qualified professional technician in accordance with all local codes. Refer to the PARTS LIST when installing the unit.

LOCATION

While following all requirements and safety information in this manual, locate the unit on a flat, level surface.

CONNECT TO A PROPANE CYLINDER GAS SUPPLY

Important: Before installation, be sure the propane cylinder is turned off.

INSTALLATION (CONT.)

Install the regulator hose assembly (not supplied) to the unit using a gas pipe sealing compound or Teflon Tape. Then attach the regulator end to the propane cylinder and tighten (see Fig. 10.1). Follow all instructions and safety warnings supplied with the propane cylinder.

Place the cylinder in the tank seat, and rotate the screw clockwise to a full stop (see Fig. 10.2)

CONNECT TO A NATURAL OR HOUSEHOLD PROPANE GAS SUPPLY

1. Connect a flex connector (not supplied) to the unit using a gas pipe sealing compound or Teflon Tape (see Fig. 10.3).
2. Bring the gas-supply pipe up from beneath the unit near its center.

NOTE: Locate the gas supply line out of pathways where people may trip over it or in areas where the line may be subject to accidental damage.

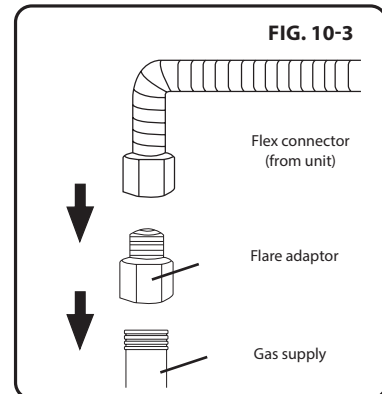
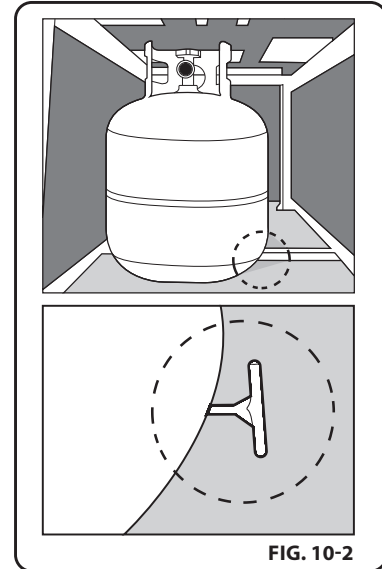
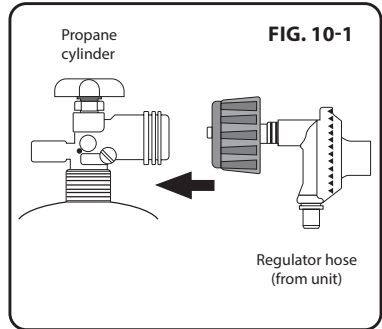
3. Install a flare adaptor (not supplied) to the gas supply (NPT - using a gas pipe sealing compound or Teflon Tape (see Fig. 10.3).
4. Connect the flex connector to the flare adaptor (see Fig. 10.3)

LEAK TEST

Turn on the gas supply, ignite the burner, and test at all connections for leaks using a soapy water solution. If bubbles appear, a leak is present. Turn off the gas and tighten at all connections. Repeat until no leaks are present. If a leak persists, turn off the gas supply and contact the local gas company or dealer. **NEVER USE A FLAME TO CHECK FOR LEAKS.**

*The gas hose connector shall have a connector that complies with the Standard for Gas Hose Connectors for Portable Outdoor Gas-Fired Appliances, ANSI Z21.54 CSA 8.4.

Flex connector (coming from unit)/ flare adaptor/ gas supply/ propane cylinder/ regulator hose (coming from unit)



CONVERTING TO A DIFFERENT GAS TYPE

To convert from propane to natural gas or from natural to propane gas, carefully follow the steps below:

1. **SHUT OFF THE GAS SUPPLY TO THE UNIT AND ANY NEARBY ELECTRICAL SOURCES OR APPLIANCES.**
2. If present, remove all decorative media from the unit.
3. Remove the screws attaching the burner pan to your enclosure.
4. Carefully detach the flex connector attached to the orifice holder (see Fig. 11.3) and unscrew the orifice holder from the burner pipe (see Fig. 11.4)
5. Remove the orifice from the holder (see Fig. 11.4) and replace with the proper-sized one for your gas requirement. Propane gas requires a 2.30mm orifice. Natural gas requires a 3.78mm orifice.

Note: if you are converting to and using natural gas you MUST install the air shutter over burner pipe to cover the air holes (see Fig. 11.4). For propane (L.P.) gas, remove the air shutter. Replace the orifice holder and reattach the connector from the valve (see Fig. 11.3). The regulator must now be converted to the new gas type.

6. To convert the regulator from propane gas to natural gas, the appliance must be isolated from the gas supply piping system by closing its individual manual shut off valve ensuring any pressure testing of the gas supply piping system. At test pressure equal to or less than ½ psi (3.5 Kpa).
7. Move the propane pipe from the regulator (see Fig. 11.5) and replace with 3/8" natural gas pipe (see Fig. 11.6, natural gas pipe package not included).
8. Restore your gas supply and check for leaks per the INSTALLATION section. When no leaks are detected, fasten the burner pan back into place on the enclosure and replace the decorative media.

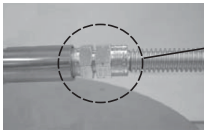


FIG. 11-3
Connector from valve attached to orifice holder on burner pipe



Remove propane pipe

FIG. 11-5

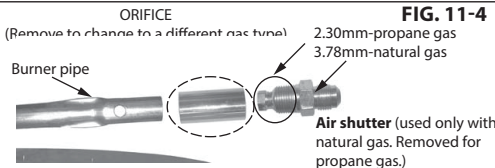


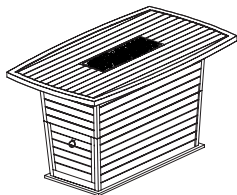
FIG. 11-4



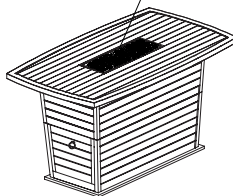
Install gas pipe.

FIG. 11-6

LAVA GRANULE & GLASS CRYSTAL INSTALLATION GUIDELINES



Don't cover the
gas collector cover
✓



1. Carefully inspect the carton for shipping damage. If any parts are missing or damaged, call the manufacturer. Do not attempt to install the appliance unless all parts are in good condition.
2. Correct installation is crucial to safe performance of your Outdoor Fire Pit.
3. Due to high temperatures, the Fire Pit must be located out of traffic areas and away from combustibles.

Bag of Lava Rock or Glass Crystals weight: 22 lbs

LAVA GRANULE & GLASS CRYSTAL PLACEMENT

CAUTION: Cuts may occur from the sharp edges on glass. Use safety gloves during the placement of glass.

Pour the bag of lava granules or glass crystals into the Outdoor Fire Pit so that the burner is completely covered (see figures 1 and 2). These instructions apply to both round and rectangular burners.

Top View

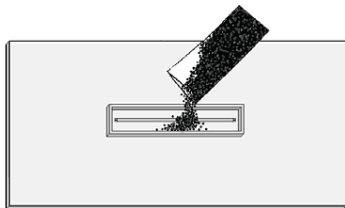


FIG. 1

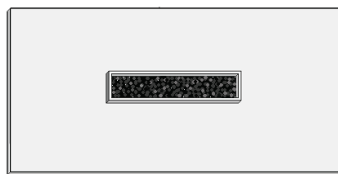


FIG. 2

CAUTION: BURN HAZARD. LAVA GRANULES AND GLASS CRYSTALS WILL REMAIN HOT FOR SOME TIME AFTER USE.

YOU MUST MAINTAIN THE LAYOUT AS SHOWN TO ENSURE PROPER OPERATION OF YOUR FIRE PIT. IF YOU NEED TO REPOSITION ANY MATERIAL TO MAINTAIN THE PROPER LAYOUT, USE HEAT RESISTANT GLOVES OR ALLOW MATERIAL ADEQUATE TIME TO COOL BEFORE HANDLING.

OPERATING THE UNIT-LIGHTING AND EXTINGUISHING

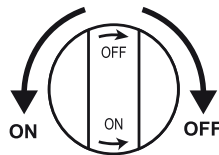
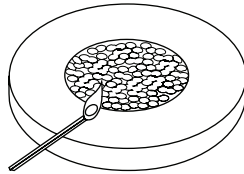
FOR YOUR SAFETY, READ BEFORE LIGHTING

WARNING: IF YOU DO NOT FOLLOW THESE INSTRUCTIONS EXACTLY, A FIRE OR EXPLOSION MAY RESULT, CAUSING PROPERTY DAMAGE, PERSONAL INJURY, OR LOSS OF LIFE.

1. BEFORE LIGHTING, smell around the unit area for gas. Be sure to smell next to the floor, because some gas is heavier than air and will settle on the floor.
2. WHAT TO DO IF YOU SMELL GAS
 - a. Shut off the gas to the appliance
 - b. Extinguish any open flame
 - c. If odor continues, immediately call your gas supplier or the fire department.
3. Use only your hand to push in or turn by hand, DO NOT try to repair it. Call a qualified professional service technician. Force or attempted repair may result in fire or explosion.

MANUAL (MATCH) LIGHTING INSTRUCTIONS

1. STOP! Read the safety information above.
2. Lay a lighted long-stem match on the surface of the decorative media near the burner ring (do not hold the match in your hand) (see Fig. 15.1) or use a lighted long-neck butane lighter.
3. Push and slowly turn the control knob to the ON position (see Fig. 15.3). Your burner should light.
4. Observe the flame height when lit. Flame should be 3-13 inches high (see Fig. 15.4).
5. If the burner does not light before the match goes out, immediately turn the control knob to the OFF position.
6. Wait approximately five minutes to clear out any gas, and repeat steps 1-4 above.
7. If your burner fails to light again, turn the control knob to the OFF position and contact your dealer or gas supplier.
8. To extinguish your gas burner, turn the control knob to the OFF position. Be sure the control knob is turned fully off to avoid any gas leakage.



OPERATION

Each installation site for any unit presents its own unique combustion environment. Specific factors such as weather, wind currents, yard debris, altitude, drafts, the size of the surrounding area, all have an influence on the proper operation of the unit. A normally operating unit will demonstrate the following characteristics:

- A lively, realistic flame
- That is odor-free

If the flame is not clean (identifiable by excessive sooting on the decorative media), refer to the **CLEANING AND MAINTENANCE** section below.

BATTERIES

- Always purchase the correct size and grade of battery most suitable for the intended use.
- Clean the battery contacts and those of the device prior to battery installation.
- Ensure the batteries are installed correctly with regard to polarity (+ and -)
- Remove batteries from equipment when it is not to be used for an extended period of time.
- Remove used batteries promptly.

CLEANING AND MAINTENANCE

1. Always shut off the gas to the unit while performing service work.
2. Allow the unit to cool before servicing.
3. The unit should be inspected regularly. Excessive debris can build up on this unit from leaves, dirt, or other debris. It is critical that all control components, burners, and the surrounding area be kept clean and free of all obstructions.
4. **KEEP THE SURROUNDING AREA AT THE BASE OF THE UNIT CLEAN AND FREE OF OBSTRUCTIONS AT ALL TIMES.**
5. The burner assembly must be replaced prior to the unit being put into operation if it is evident that the burner is damaged. Contact your local dealer for replacement parts.
6. Periodically perform visual checks of the burner flames. The burner flames should be blue at the base with a combination of blue/yellow at the body and tips. Contact a qualified service person for maintenance.

CAUTION: HOT DURING OPERATION AND AFTER USE. Children must be supervised when in the vicinity of this appliance. Serious injury may occur! Children must be alerted to the hazard of high surface temperatures and should stay away to avoid burns or clothing ignition. Keep entire area (around bottom) clear for proper vetting.

QUALITY CHECK

Date: _____

Model #: _____

Serial #: _____

Inspector #: _____

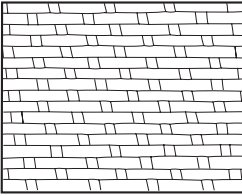
PRODUCT WARRANTY

This product is fully warranted by the manufacturer to be free from defects in materials and workmanship for ONE year from the date of purchase. We will replace any parts or components that are found defective and not fit for the intended purpose. Please keep your proof of purchase and email customerservice@rstbrands.com for any warranty claims or after sales support.

Before assembling your fire table, please familiarize yourself with the components and make sure you have everything listed. If you are missing any parts, please contact customerservice@rstbrands.com, or call (801) 924-2090.

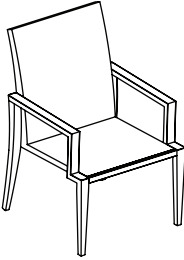
Care and Maintenance

All outdoor furniture is subject to UV rays and weather elements. In order to keep your furniture as long lasting and vibrant as possible, we advise using furniture covers or storing the furniture when not in use. For more information about the materials used to make our furniture please visit www.rstbrands.com/details-landing



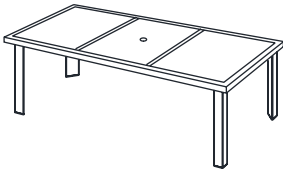
WICKER

Simply washing your wicker with a mild detergent and protecting it as much as possible by covering and or storing it when not in use for long periods of time is sufficient.



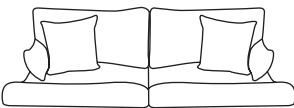
ALUMINUM FRAMES

Our furniture incorporates aluminum powder coated frames that are designed to require minimum maintenance. Avoid letting too much dirt build up by cleaning with mild soap and water. Never leave furniture standing in water.



STONE TOPS/ TABLE TOPS

Spills should be wiped up quickly to avoid any staining on the surface. Regular cleaning with mild soap and water with a sponge or soft scrub brush is all that is required. Storing or covering your natural stone top when not in use for extended periods of time is recommended.



FABRICS

Wipe off spills with a cloth and water. We use Sunbrella® fabrics designed to protect and last for several years. Sunbrella fabrics are treated with a proprietary water and stain repellent.

Table de feu 107 cm x 183 cm



AVERTISSEMENT: Convient à un usage extérieur uniquement (domestic)



AVERTISSEMENT: Une installation, un réglage, une modification, un entretien ou une maintenance inapproprié(e) peut être la cause de blessures ou de dégâts matériels. Consulter le manuel d'information du propriétaire accompagnant cet appareil. Pour obtenir de l'assistance ou des informations supplémentaires, consulter un installateur, un agent de maintenance ou un fournisseur de gaz qualifié.



AVERTISSEMENT

Ne pas conserver ni utiliser de l'essence ni d'autres vapeurs et liquides inflammables à proximité de cet appareil ou d'autres.

Aucune bouteille de PL qui n'est pas connectée et en cours d'utilisation ne doit être conservée à proximité de cet appareil ou d'autres.



AVERTISSEMENT Si une odeur de gaz est détectée:

1. Éteindre le gaz au niveau de l'appareil.
2. Éteindre toute flamme nue.
3. Si l'odeur persiste, s'éloigner de l'appareil et appeler immédiatement son fournisseur de gaz ou le service des sapeurs-pompiers.



AVERTISSEMENT

Des produits chimiques reconnus par l'État de la Californie pour être cause de cancer, de malformations congénitales ou autre atteinte à la fertilité sont créés par la combustion du propane.



AVERTISSEMENT

Les produits de la combustion du propane contiennent des produits chimiques connus pas l'État de la Californie pour être une cause de cancer ou autre atteinte à la fertilité.



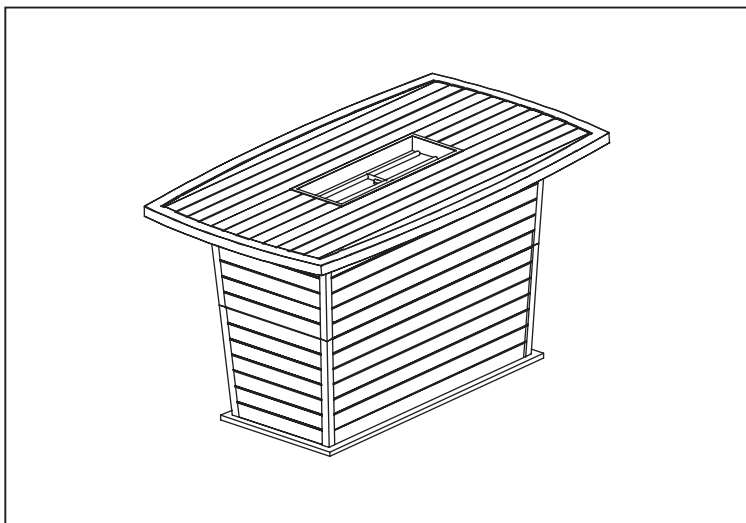
AVERTISSEMENT



RISQUE D'INTOXICATION PAR LE MONOXYDE DE CARBONE

Ce produit peut produire du monoxyde de carbone, qui est inodore. L'employer dans un espace clos peut avoir des conséquences fatales. Ne jamais utiliser cet appareil dans un espace clos comme une caravane, une tente, une voiture ou un logement.

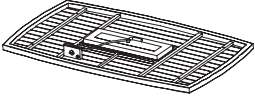
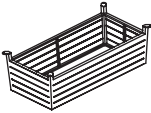
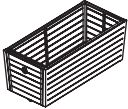
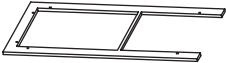


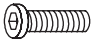



Table de feu 107 cm x 183 cm



INSTRUCTION D'ASSEMBLAGE

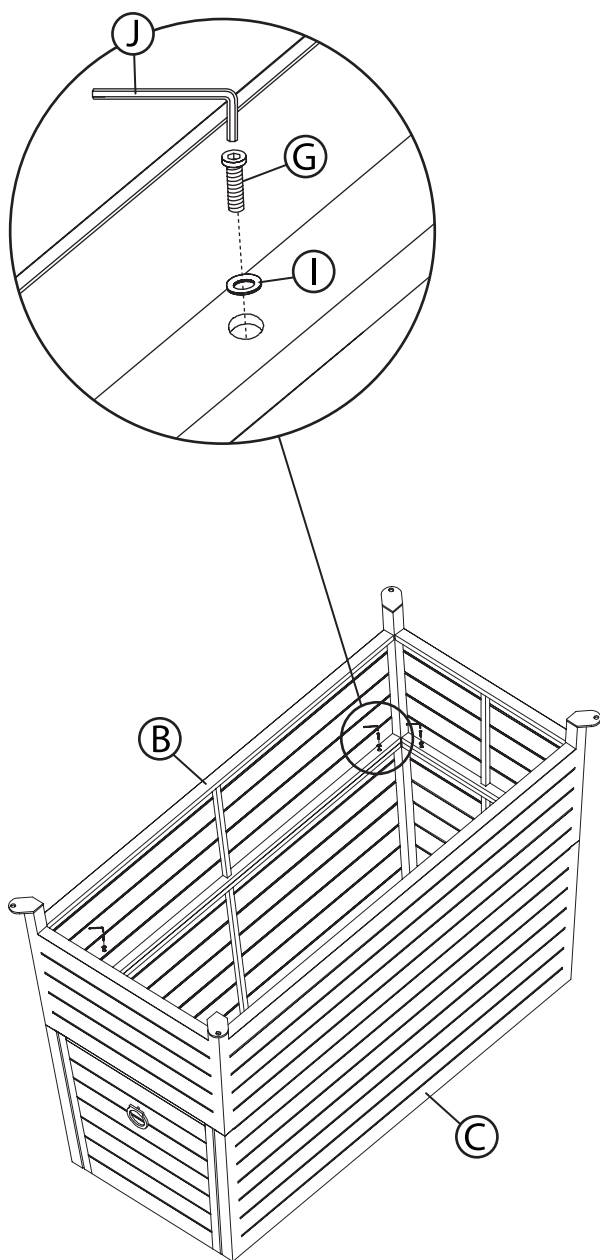
**IMPORTANT, À CONSERVER À TITRE DE RÉFÉRENCE.
À LIRE ATTENTIVEMENT**

LISTE DES PIÈCES

NO.	IMAGE	RÉFÉRENCE DESCRIPTION	QTE.
A		Dessus de table	1
B		Section de base supérieure	1
C		Section de base inférieure	1
D		Stabilisateur de base de table	1
E		Stabilisateur de base de porte	1
F		Boulon (M6*20)	4
G		Boulon (M6*30)	6
H		Boulon (M6*35)	8
I		Rondelle (13*1.0)	18
J		Clé Allen #4	1

Étape 1.

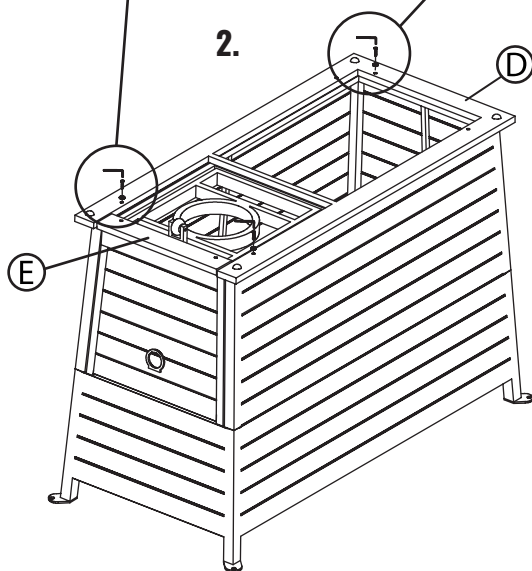
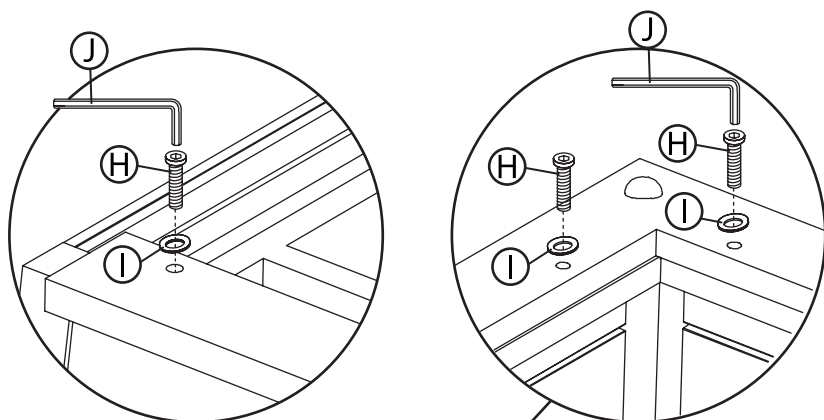
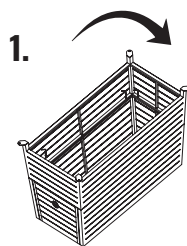
CONNECTEZ LES SECTIONS DE BASE SUPÉRIEURE ET INFÉRIEURE -
Connectez la section de base supérieure (B) à la section de base inférieure (C) à l'aide de boulons (G), de rondelles (I) et d'une clé Allen (J).



Étape 2.

FIXEZ LA BASE INFÉRIEURE ET LE STABILISATEUR DE PORTE

1. Retournez la base de la table de feu assemblée à l'envers.
2. Fixez les stabilisateurs de la porte et de la table (E), (D) au bas de la table à feu à l'aide de boulons (H), de rondelles (I) et d'une clé Allen (J).

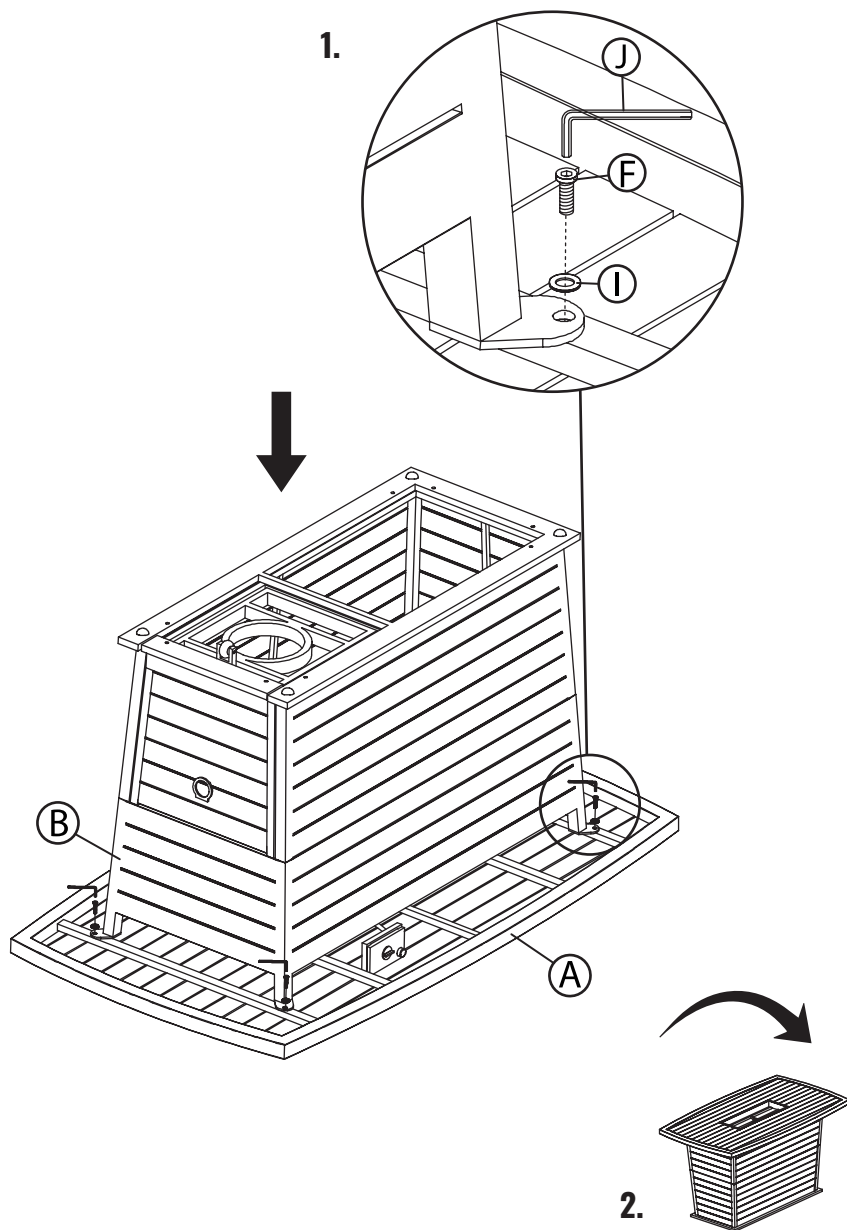


Étape 3.

FIXEZ LA BASE INFÉRIEURE ET LE STABILISATEUR DE PORTE

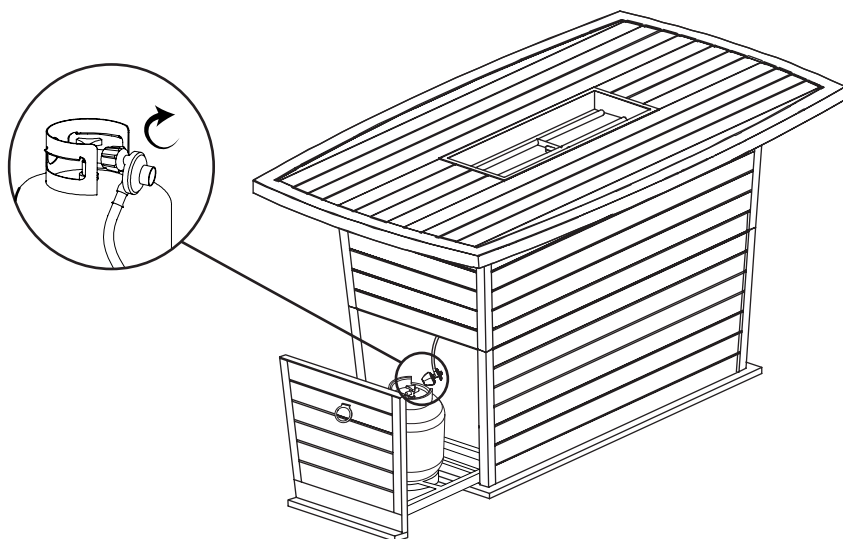
1. Avec le dessus de table (A) à l'envers, placez la base assemblée en place sur le dessus du dessus de table. Fixez la base au plateau de la table (A) à l'aide de boulons (F), de rondelles (I) et d'une clé Allen (J).

2. Retournez la table de feu assemblée côté droit vers le haut.



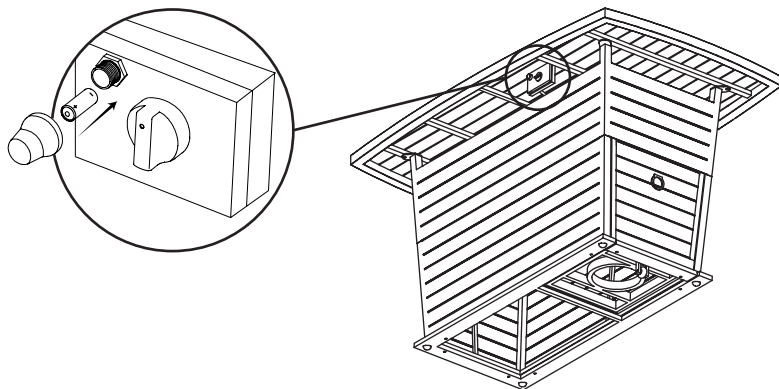
Étape 4.

FIXATION DE RÉSERVOIR DE PROPANE - Fixez le tuyau de propane du plateau du brûleur au réservoir de propane (non inclus). La capacité marquée du GPL du cylindre est de 20 lb. Comme indiqué par les fabricants de cylindres.



Étape 5.

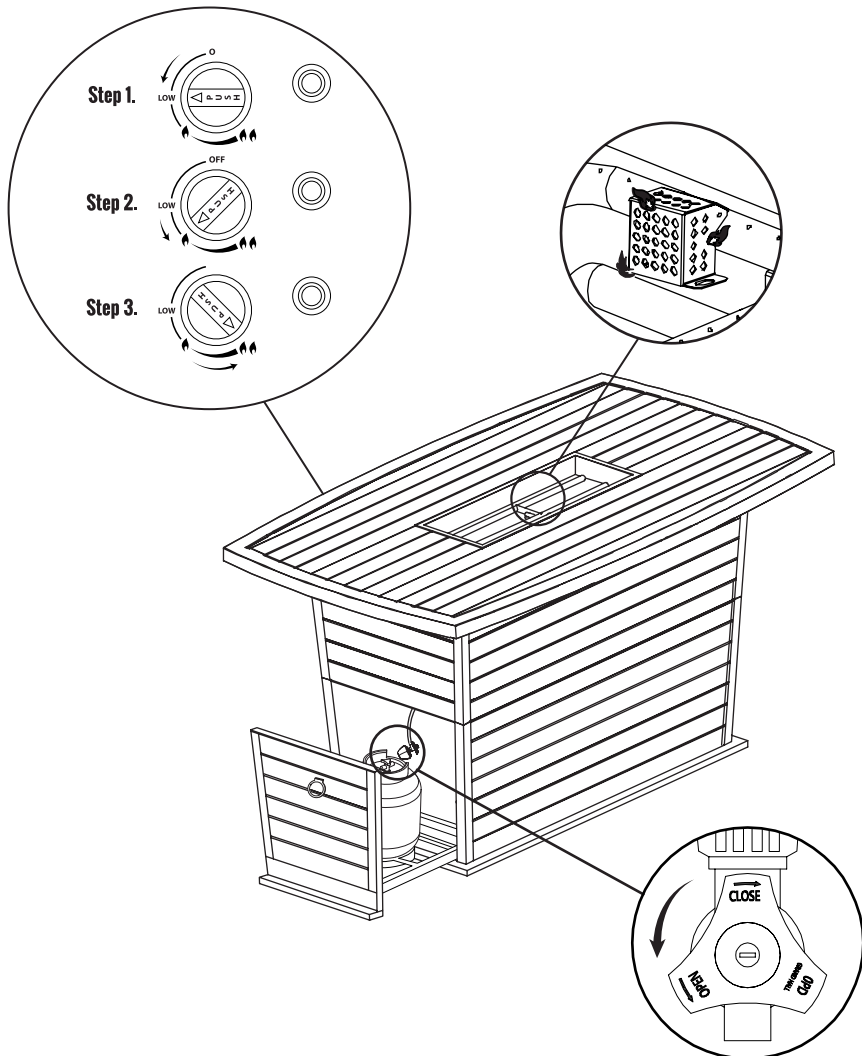
SE PRÉPARER À L'ÉCLAIRAGE - Placez une pile AA (non incluse) dans le panneau de valve / démarreur LP avant d'essayer de s'enflammer.
ATTENTION: Avant d'allumer, tournez la valve sur le réservoir LP. Appliquez de l'eau savonneuse sur tous les composants qui fuient. Si des bulles apparaissent, serrez-les et appliquez de nouveau de l'eau savonneuse. Si aucune bulle n'apparaît, fermez la valve et procédez à l'allumage. S'il y a encore des bulles, veuillez contacter.



Étape 6.

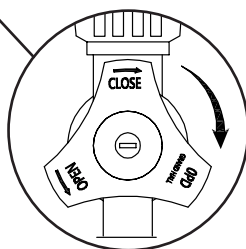
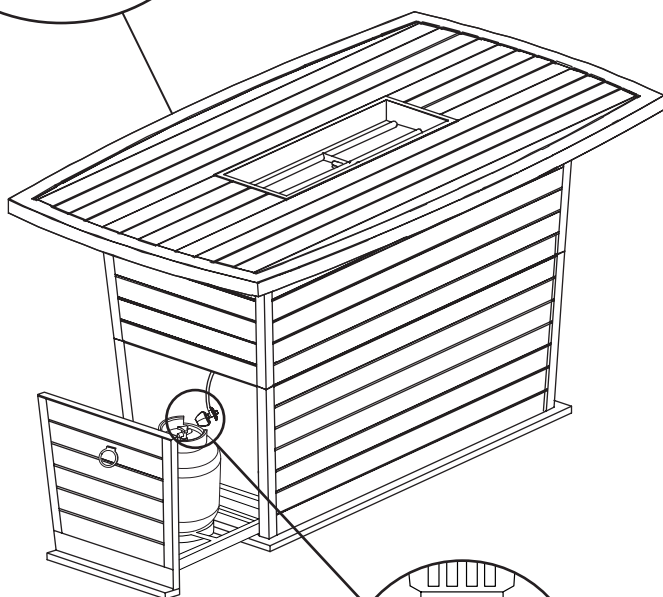
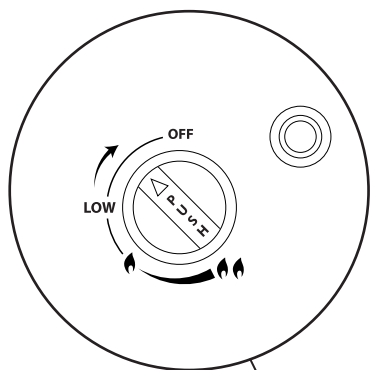
INSTRUCTIONS D'ÉCLAIRAGE - Assurez-vous que la valve du réservoir de propane est ouverte avant de continuer. Des procédures d'éclairage incorrectes peuvent entraîner des conséquences potentielles.

1. Pour allumer, poussez le bouton du régulateur vers l'avant et tournez d'un quart de tour dans le sens antihoraire jusqu'à la position «bas».
2. Avec la soupape enfoncée, appuyez sur le bouton d'allumage pour allumer le brûleur pilote. Une fois le brûleur d'allumage allumé, maintenez la valve enfoncée pendant plus de dix secondes pour empêcher la flamme du brûleur d'allumage de s'éteindre, puis relâchez-la.
3. Pour baisser la flamme une fois allumée, tournez la valve sans la pousser. Pour augmenter la flamme, enfoncez la valve et tournez-la dans le sens antihoraire vers le feu élevé. Si la flamme n'est pas dans un état stable (bruit, oscillation de la flamme, etc.), veuillez l'éteindre immédiatement et appeler.



Étape 7.

ARRÊTER LA TABLE D'INCENDIE - Pour fermer, fermez la valve du réservoir de propane en veillant à ce que la flamme soit complètement éteinte. Poussez la valve du régulateur et tournez-la en position d'arrêt. Attendez 5 minutes d'arrêt complet avant de rallumer l'appareil.



MAINTENANCE DU CADRE EN MÉTAL

Les meubles intègrent des cadres métalliques, dont la conception nécessite un minimum d'entretien.

- Les cadres en métal doivent rester propres.
- Ne pas laisser la poussière s'accumuler sur les surfaces en métal.
- Il suffit de nettoyer avec du savon doux et de l'eau.
- Ne jamais laisser de meubles dans l'eau.
- Pour maintenir vos meubles en bon état, il est conseillé de les ranger ou de les couvrir lorsqu'ils ne sont pas en cours d'utilisation pour une longue période.

DESSUS EN FAUSSE PIERRE ET PIERRE NATURELLE

Tous les dessus de table en pierre naturelle y compris le marbre vieille ainsi que le granite et le marbre polis, sont imprégnés en usine avec un scellant qui pénètre profondément dans la surface poreuse, créant une barrière durable de protection contre les huiles, l'eau, les taches et la saleté.

- Essuyer rapidement les renversements pour éviter de tacher la surface. Pour le nettoyage de routine, il suffit d'utiliser de l'eau et du savon doux avec une éponge ou une brosse à récurer souple.
- Lors d'une utilisation résidentielle régulière, les surfaces ne devraient pas nécessiter de ré-imprégnation avant au moins 2 à 4 ans.
- Au fil du temps, la lumière directe du soleil décolore les dessus en pierre naturelle. Cette décoloration est un processus naturel, qui se remarquera davantage sur les pierres de couleurs vives et les marbres polis.
- Les dessus en pierre peuvent être repolis par des professionnels et devront toujours être repeignés après le polissage.
- Il est conseillé de ranger ou de couvrir son dessus en pierre naturelle lorsqu'il n'est pas utilisé pour une longue période.

MANUEL D' UTILISATION DU FOYER

Important: Veuillez lire ces instructions attentivement avant de commencer l'installation de votre plateau à feu extérieur.

Liste de vérification des opérations

Pour une expérience de chauffage sûre et agréable, effectuez cette vérification avant chaque utilisation:

1. Je suis familier avec l'ensemble du manuel d'utilisation et je comprends les précautions qui y sont inscrites.
2. Toutes les composantes sont adéquatement assemblées, intactes et opérables.
3. Aucune altération n'a été effectuée.
4. Toutes les connexions à l'alimentation en gaz sont sécuritaires et ne fuient pas.
5. La vitesse du vent est sous 10 mph.
6. L'unité opérera à une efficacité réduite sous les 40°F / 4° C
7. Le foyer est à l'extérieur et n'est pas obstruée.
8. Il y a une ventilation d'air adéquate. N'utilisez pas cet appareil si une partie a été immergée sous l'eau. Communiquez immédiatement avec un technicien qualifié pour inspecter l'appareil et pour remplacer toute partie du système de contrôle de gaz qui a été immergé sous l'eau.
9. Le foyer est éloigné de la gazoline ou d'autres liquides ou vapeurs inflammables.
10. Le foyer est éloigné des fenêtres, des prises d'aération, des gicleurs et autres sources d'eau.
11. Le foyer est au moins à 36 pouces de dégagement et au moins 36 pouces sur les cotes de matériaux combustibles.
12. Le foyer est sur une surface dure et plane.
13. Il n'y a aucun signe d'araignée ou de toiles d'insectes.
14. Tous les passages du brûleur sont dégagés.
15. Tous les passages de circulation d'air sont dégagés.

AVERTISSEMENT:

- Les enfants et les adultes devraient être conscients des risques de température élevée de la surface et devraient s'en tenir éloignés afin d'éviter des brûlures et l'ignition des vêtements.
- Les jeunes enfants devraient être attentivement supervisés lorsqu'ils se retrouvent dans la région du foyer.
- Les vêtements ou autre matériel protecteur ne devraient pas être suspendus du foyer ou places sur ou près du foyer.
- Tout protecteur ou appareil de protection retire pour l'entretien du foyer doit être remplacé avant d'opérer le foyer.
- L'installation et la réparation devraient être effectuées par une personne qualifiée. Le foyer devrait être inspecté avant l'utilisation et au moins annuellement par une personne qualifiée.
- Des nettoyages plus fréquents peuvent être requis si nécessaire. Il est impératif que les compartiments de contrôle, les brûleurs et les passages de circulation d'air du foyer soient toujours propres.

Après opération:

1. Gaz control is in the OFF position.
2. Gaz tank valve is turned OFF.
3. Disconnect the gaz line.
4. After each use, replace the cap on the tank.

!! Avant de commencer l'assemblage, assurez-vous d'avoir toutes les pièces. Comparez les pièces avec la liste du contenu de l'emballage et avec la quincaillerie contenue ci-dessus. Si une partie est manquante ou endommagée, ne tentez pas d'assembler le produit. Contactez le service à la clientèle pour des pièces de remplacement.!!

Important: Pour une opération sécuritaire et une performance adéquate de ce produit et afin de se conformer à la certification, l'inscription et les dispositions du code de construction, utilisez uniquement nos contrôleurs, parties ou accessoires qui ont été spécifiquement énumérés ou certifiés pour l'utilisation avec ce système de brûleur. L'utilisation d'autres contrôleurs, parties ou accessoires est interdit et annulera toute garantie, certification, inscription ou approbation du code de construction et pourrait causer des dommages à la propriété, des blessures corporelles ou le décès.

AVERTISSEMENT

Temps d'assemblage requis estime: 15 minutes.

Outils requis (non inclus) : Tournevis Phillips de taille moyenne et une solution de détection des fuites.

Code et exigences d'approvisionnement: l'installation de ce produit doit être conforme aux codes locaux ou, en l'absence de codes locaux, au dernier code national de gaz combustible, ANSI z223.1.



DANGER Si une odeur de gaz est détectée:

1. Éteindre le gaz au niveau de l'appareil.
2. Éteindre toute flamme nue.
3. Si l'odeur persiste, s'éloigner de l'appareil et appeler immédiatement son fournisseur de gaz ou le service des sapeurs-pompiers.



AVERTISSEMENT

Ne pas conserver ni utiliser de l'essence ni d'autres vapeurs et liquides inflammables à proximité de cet appareil ou d'autres.

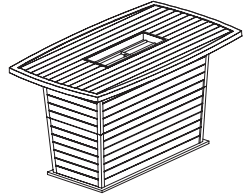
Aucune bouteille de PL qui n'est pas connectée et en cours d'utilisation ne doit être conservée à proximité de cet appareil ou d'autres.

Installateur et consommateur

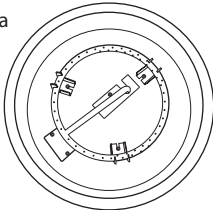
ces instructions DOIVENT être conservées avec cet appareil pour référence ultérieure. Pour usage extérieur seulement. Si vous l'entreposez à l'intérieur, détachez-le et laissez le cylindre à l'extérieur.

Liste du contenu:

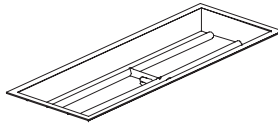
1. Plateau à feu
2. Plateau du brûleur P81001 or P81002 (naturel ou propane)
3. Bouton de contrôle
4. Orifice NG et obturateur d'air
5. Bordure de plateau du brûleur



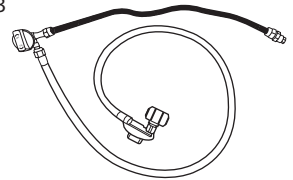
2a



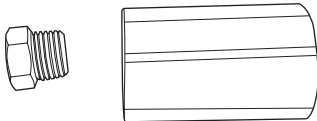
2b



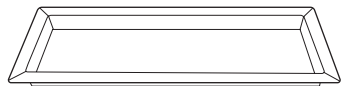
3



4



5



AVERTISSEMENT

PRE-INSTALLATION ET PRÉPARATION CONSIGNES DE SÉCURITÉ

- A. Avant d'installer cet appareil, consultez la section sur le DÉGAGEMENT MINIMUM DES COMBUSTIBLES pour assurer que l'espace environnant est conforme aux mesures d'installation.
- B. L'appareil est conçu pour une utilisation à l'extérieur uniquement. N'installez ou n'utilisez pas cet appareil dans un bâtiment garage ou tout autre endroit fermé, y compris les véhicules et/ ou des bateaux de plaisance. **Cet appareil doit être installé de telle manière que l'ouverture d'aération, à la base de l'appareil, soit dégagée et ne soit pas jamais bloquée, quelles que soient les conditions météorologiques.**
- C. VÉRIFIEZ LE TYPE DE GAZ (gaz naturel ou propane): L'alimentation en gaz que vous souhaitez utiliser n'est peut être pas la même que celle indiquée sur le réglage de l'appareil. Si l'alimentation en gaz est différente, **convertissez l'appareil au type de gaz que vous souhaitez utiliser.** Voir la SECTION SUR LA CONVERSION A UNE TYPE DE GAZ DIFFÉRENT. Si vous n'êtes pas sûr, contactez le revendeur. SEULES LES UNITÉS MANUELLES SONT CONVERTIBLES.
- D. POUR LE GAZ NATUREL: La pression minimale de l'entrée de l'alimentation du gaz à des fins de réglage est de 3,5 colonne d'eau (w.c. de l'anglais water column), et la pression d'entrée maximale d'alimentation du gaz est de 10,5 w.c.
- E. POUR LE PROPANE: La pression minimale d'entrée d'alimentation du gaz à des fins de réglage est de 8 w.c., et la pression d'entrée maximale d'alimentation du gaz est de 13 w.c. **N'INSTALLER PAS CET APPAREIL SI LA PRESSION MINIMALE N'EST PAS DISPONIBLE OU SI LA PRESSION MAXIMALE EST DÉPASSÉE.**
- F. Le système de tuyauterie du gaz doit être calibre pour fournir une pression minimale d'entrée au maximum. Faible taux (BTU/h). Perte de pression indue surviendra si le tuyau est trop petit, ou la fuite est trop long
- G. Pour les installations au-dessus de 2,000 pieds, contactez votre distributeur de gaz local ou revendeur avant d'installer. Les notes d'entrée devraient être réduites d'environ 4% pour chaque 1,000 pied au-dessus du niveau de la mer. Reportez-vous à la National Fuel Gas Code.
- H. L'appareil et son robinet d'arrêt individuel doivent être débranchés de la tuyauterie d'alimentation de gaz pendant les essais de pression de ce système à des pressions d'essai excédent ½ psi (3,5 kPa). Ceci est réalisé par fermeture de la vanne de la conduite d'alimentation de gaz. L'appareil doit être isolé du système de tuyauterie de gaz d'alimentation à une pression égale ou inférieure à ½ psi (3,5 kPa).
- I. NOTE INSTALLATEUR: Cet appareil doit être installé de façon qu'il puisse être retiré si une réparation est nécessaire.
- J. EXIGENCES DE PLOMBERIE POUR L'ALIMENTATION DU GAZ
 1. Appliquer seulement les jointures communes qui sont résistantes à tous les gaz sur tous les raccords de tuyaux mâles. Assurez-vous de serrer tous les joints en toute sécurité. Ne pas utiliser la pâte à joint pour connecter l'appareillage de flamme. Apportez en haut le tuyau d'alimentation du gaz de au-dessous de la clôture près de son centre (le cas échéant).

Attention: L'installation et l'entretien doivent être effectués par une personne certifiée par NFI ou un installateur professionnel qualifié. Installateur, lisez ces instructions avant d'installer ce produit. Soyez sûr que vous comprenez toutes les précautions de sécurité et les avertissements contenus dans ce manuel.

Remarque: Une vanne marche/arrêt externe dans la conduite de gaz est nécessaire pour la sécurité, lorsque l'appareil n'est pas en utilisation. Il prévoit également l'entretien commode et la réparation.

CONSIGNES DE SÉCURITÉ POUR L'INSTALLATION

1. L'installation et la réparation doivent être effectuées par un technicien qualifié. L'appareil doit être inspecté avant son utilisation, et au moins une fois chaque année, par une personne qualifiée. Un nettoyage plus fréquent peut être requis, si nécessaire. Il est impératif que le compartiment de contrôle, les brûleurs et les passages de circulation d'air de l'appareil doivent rester propres.
2. Inspectez soigneusement des dommages d'expédition. Si des pièces sont endommagées, appelez le concessionnaire.
3. L'installation correcte et le placement adéquat de l'appareil et des éléments décoratifs est crucial pour le fonctionnement sûr de l'appareil. Voir les instructions d'installation pour plus d'informations.
4. Assurez-vous que l'appareil est installé de telle manière que l'ouverture d'évent à la base de l'unité reste libre d'obstacles en tout temps et en toutes conditions météorologiques.
5. En raison des températures élevées, l'appareil doit être placé loin des zones de circulation et loin des combustibles.

MANŒVRER L'APPAREIL CORRECTEMENT ET SÛREMENT

1. Ce dispositif est destiné uniquement pour un fonctionnement à des températures supérieures à 32° F.
2. Lorsque l'appareil s'arrête, étendez-vous sur le côté et TOURNER LA VALVE DE CONTRÔLE JUSQU'AU FIN.
3. Les enfants DOIVENT être surveillés attentivement, lorsqu'ils sont dans les environs de cet appareil.
4. NE VOUS ASSEYEZ PAS ou placez une partie du corps, des vêtements ou autres matériaux inflammables sur ou près de la bordure de l'unité. Les enfants et les adultes doivent être sensibilisés aux dangers des températures de surface élevées et devraient rester à l'écart pour éviter les brûlures ou l'inflammation des vêtements.
5. Chaque fois que vous utilisez l'appareil, assurez-vous que:
 - a. La zone autour de l'unité est libre et sans des matériaux combustibles, de l'essence et d'autres vapeurs et liquides inflammables.
 - b. Il n'y a pas de blocage de circulation de l'air à travers les ouvertures de ventilation situées sur le dessous de l'appareil.
 - c. Le tuyau est inspecté (le cas échéant). Voir l'article L'UTILISATION SANS DANGER ET L'ENTRETIEN DES BOUTEILLES DE GAZ PROPANE.
6. ATTENTION: CHAUD TANDIS QUE EN FONCTIONNEMENT ET SUIVANT LE FONCTIONNEMENT. Peuvent produire des blessures graves! NE JETER PAS des déchets, du papier ou autres matériaux inflammables sur l'appareil. NE LAISSER PAS en fonctionnement sans surveillance.
7. COMBUSTIBLES SOLIDES NE DOIVENT PAS ÊTRE BRÛLÉS dans l'appareil.
8. NE CONTINUER PAS à utiliser si vous sentez une odeur inhabituelle, ou des maux de tête, des nausées ou des étourdissements.
9. NE RANGEZ PAS des matériaux combustibles, de l'essence et d'autres vapeurs/liquides inflammables à proximité de l'appareil. Prévoir l'espace suffisant pour l'entretien et le fonctionnement.
10. Des allumettes, du papier, des ordures, ou tout autre matériel ne doivent pas être jetés sur l'appareil ou la flamme.
11. NE UTILISER PAS l'appareil si quelque partie a été sous l'eau. Appelez immédiatement un technicien de service professionnel qualifié pour inspecter l'appareil et pour remplacer toute pièce du système de contrôle qui a été sous l'eau.

UTILISATION SURE ET ENTRETIEN DES CYLINDRES DE GAZ DE PROPANE

IMPORTANT POUR VOTRE SÛRETÉ

LISEZ ET SUIVEZ TOUS LES AVERTISSEMENTS ÉQUIPÉS DE VOTRE CYLINDRE DE GAZ DE PROPANE.

En actionnant cet appareil avec un cylindre de gaz de propane ON DOIT observer ces instructions et avertissements.

LE MANQUE DE FAIRE AINSI PEUT AVOIR COMME CONSÉQUENCE UNE INCENDIE OU UNE EXPLOSION SÉRIEUSE.

CYLINDRE ET CONDITIONS ET CARACTÉRISTIQUES DE CONNECTEUR

1. Des cylindres et les valves de gaz de propane doivent être maintenus en bon état et doivent être remplacés s'il y a des dommages évidents au cylindre ou à la valve.
2. Ce gril, une fois utilisé avec un cylindre, devrait être relié à un gallon de la norme 5 (20 lb.) Cylindre de gaz de propane équipé d'un OPD (remplissez au-dessus du niveau le dispositif d'empêchement). L'OPD a été exigé sur tous les cylindres vendus depuis octobre 1. 1998 pour empêcher le remplissage excessif.
3. Les dimensions de cylindre devraient être approximativement 12" (30,5 cm) de diamètre et 18" (45,7 cm) hauts. Des cylindres doivent être construits et marqués selon les caractéristiques pour des cylindres de gaz de propane du département des ÉTATS-UNIS du transport (D.O.T.) ou le niveau national du Canada, du CAN/CSA-B-339, des cylindres, des sphères, et des tubes pour le transport des marchandises dangereuses.
4. Le cylindre doit inclure un collier pour protéger la valve de cylindre et le circuit d'alimentation de cylindre doit être assure le retrait de vapeur.
5. Le régulateur de pression et l'ensemble de tuyau (1) fourni avec cet appareil à cuire extérieure de gaz doivent être utilisés. Les régulateurs d'original et de pression de remplacement et les ensembles de tuyau doivent être ceux indiqués par le fabricant pour le raccordement avec un e comme type I par la norme ANSI Z21.58-2005/ CGA 1.6-2005 (see PARTS LIST for ordering information).
6. La valve de cylindre de gaz de propane doit être équipée d'un dispositif d'accouplement de raccordement de cylindre, der nie dans le 5. de paragraphe ci-dessus. Ce dispositif est généralement.
7. Si votre cylindre de gaz de propane vient avec une prise de la poussière, placez le bouchon anti-poussière sur la sortie de valve de cylindre toutes les fois que le cylindre n'est pas en service.

OPÉRATION DE COUPLEUR RAPIDE

Pour relier le regulator/hose à l'ajustage de précision de valve de cylindre de gaz de propane: Serrez l'écrou de main sur le régulateur au-dessus de l'ajustage de précision de fil de point culminant sur la valve de cylindre. Tournez l'écrou de main dans le sens des aiguilles es d'une montre pour engage fils et pour serrer jusqu'à ce que douillettement.

L'utilisation des pinces ou de la clé ne devrait pas être nécessaire. Seulement le propane marque par cylindres doit être employé contraire des aiguilles d'une montre jusqu'à isole (fig. 8.1). Placez le cylindre dans le siège du réservoir et faites tourner la vis dans le sens horaire pour une immobilisation complète (fig. 7.1). Important: Avant d'employer le gril, et ensuite chaque fois que le cylindre est enlevé et rattache, examinez tous les raccordements pour déceler les fuites. Arrêtez les valves de gril et ouvrez la valve principale de cylindre, puis vérifiez les raccordements avec de l'eau savonneux. Réparez toutes les fuites avant d'allumer le gril.

ATTENTION: Tournez toujours la valve principale de cylindre de propane au loin après chaque utilisation, et avant de déplacer le gril et le cylindre, ou débrancher l'accouplement. Cette valve doit rester fermée et le cylindre a débranche alors que l'appareil n'est pas en service, quoique écoulement de gaz soit arrêté par un dispositif de sûreté quand le coupleur est débranche.

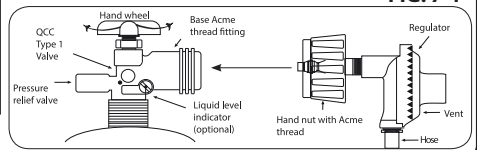
Inspectez soigneusement l'ensemble de tuyau chaque fois avant que le gaz soit allume. Un tuyau crique ou frange devrait être remplace immédiatement.

Si l'appareil est stocke à l'intérieur, le cylindre doit être discontacter et a enlevé. Des cylindres discontacter doivent être stockes dehors, hors de la portée des enfants, avec les prises de valve lestées étroitement installes, et ne doivent pas être stockes dans un bâtiment, le garage, ou n'importe quel autre secteur inclus.

POUR VOTRE SÛRETÉ

1. Ne stockez pas un cylindre de gaz disponible de propane dessous ou ne vous approchez pas de cet appareil.
2. Ne remplissez jamais cylindre au delà de 80 pour cent de plein.
3. SI L'INFORMATION DANS 1 ET 2 N'EST PAS SUIVIE EXACTEMENT, UN FEU CAUSANT LA MORT OU DES DOMMAGES SÉRIEUX PEUT SE PRODUIRE.

FIG. 7-1



INFORMATIONS DE SÉCURITÉ IMPORTANTES

FAITES ATTENTION

S'il n'est pas installé et utilisé correctement en suivant ces instructions, ce produit peut causer des blessures graves.

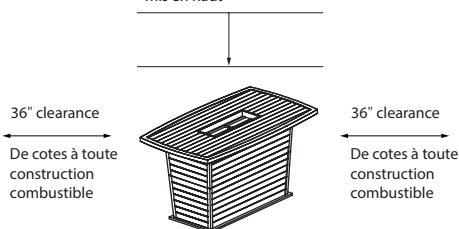
ATTENTION: L'installation et la maintenance doivent être effectuées par un installateur certifié NFI ou un autre installateur professionnel qualifié. Lisez ces instructions avant d'installer cette table de feu en plein air. Assurez-vous de bien comprendre toutes les précautions de sécurité et les avertissements contenus dans ce manuel.

1. SEULEMENT POUR L'UTILISATION EXTÉRIEUR. CET APPAREIL DOIT ÊTRE INSTALLÉ AU MOINS À 36" (pouces) DE TOUT MURS OU MATÉRIEAUX COMBUSTIBLES. IL NE DOIT PAS ÊTRE INSTALLÉ SOUS TOUT TYPE DE PLAFOND OU SURPLOMB (VOIR FIG. 1.9).
2. En éteignant l'unité—assurez-vous de **TOURNER LA VALVE DE CONTRÔLE JUSQU'AU FIN**.
3. **AVERTISSEMENT:** UNE INTOXICATION AU MONOXYDE DE CARBONE peut entraîner la mort. Ne modifiez pas ce foyer d'extérieur ou ses commandes, sauf comme indique **DANS CE MANUEL**. Tout autre changement peut être dangereux. L'installation ou utilisation incorrectes du foyer d'extérieur peuvent causer des blessures graves ou la mort par brûlures, explosions, ou empoisonnement au monoxyde de carbone.
4. Avant l'installation, vérifiez les codes nationaux et locaux afin de déterminer si le foyer d'extérieur est autorisé dans votre localité.

CLEARANCE MINIMUM AUX COMBUSTIBLES

FIG. 9-1

NOTE: Rien ne doit être mis en haut



Dégagements par rapport aux constructions combustibles

Parois latérales: 36" (pieds) du bord au l'anneau supérieur (Figure 9.1)

Plafond: Rien ne doit être au-dessus du foyer d'extérieur.

Revêtement de sol: 0" (pieds)—peut être installé sur une terrasse, une dalle, un plancher, etc.

Les dimensions indiquées dans la figure 9.1 correspondent au minimum d'exigences à considérer quand vous installez ce foyer d'extérieur. **TOUS LES COTES** de l'ouverture du boîtier doivent être **AU MOINS À 36" (pieds)** de tous les murs combustibles secondaires. L'appareil **NE DOIT ÊTRE** installé sous aucun type de plafond ou toit.

INSTALLATION

IMPORTANT: Assurez-vous d'avoir lu et compris toutes les précautions de sécurité ou les avertissements contenus dans ce manuel.

AVANT DE CONTINUER, LISEZ ATTENTIVEMENT TOUTES LES INFORMATIONS DE SÉCURITÉ IMPORTANTES CONTENUES DANS CE MANUEL DE PROPRIÉTAIRE, Y COMPRIS:

- A. Directives de sécurité de pre-installation et de préparation.
- B. Directives de sécurité d'installation.
- C. Dégagement minimum des matériaux combustibles.

ASSUREZ-VOUS QUE LA FOURNITURE DE GAZ À L'UNITÉ EST ARRÊTÉE.

Remarque: Lors de l'installation de l'unité au gaz naturel ou au propane de ménage, vous devez avoir une ligne d'alimentation en gaz installée par un technicien professionnel qualifié, en conformité avec tous les codes locaux. Reportez-vous à la LISTE DES PIÈCES lors de l'installation de l'appareil.

DISPOSITION

En suivant toutes les exigences et consignes de sécurité dans ce manuel; disposez l'appareil sur une surface plane.

CONNECTEZ-LE À UNE BOUTEILLE DE GAZ PROPANE

Important: Avant l'installation, assurez-vous que la bouteille de propane est éteinte.

INSTALLATION (CONT.)

Installez l'ensemble du régulateur (non fourni) à l'appareil en utilisant un joint d'étanchéité du tuyau à gaz ou du ruban téflon. Ensuite, fixez le bout du régulateur à la bouteille de propane et serrez (voir Fig. 10.1). Suivez toutes les instructions et consignes de sécurité fournies avec la bouteille de propane.

Placez la bouteille dans le siège du réservoir et tournez la vis dans le sens des aiguilles d'une montre jusqu'à un arrêt complet. (Voir Fig. 10.2)

CONNEXION A UNE SOURCE DE GAZ NATUREL OU PROPANE DE MÉNAGE

1. Connectez un connecteur (non fourni) à l'ensemble en utilisant un joint du tuyau de gaz ou du ruban téflon d'étanchéité (voir Fig. 10.3).
2. Apportez le tuyau d'alimentation en gaz du dessous de l'unité à proximité de son centre.

Remarque: Disposez la ligne d'alimentation en gaz loin des voies ou les gens peuvent trébucher dessus et des zones où la ligne peut être soumise à des dommages accidentels.

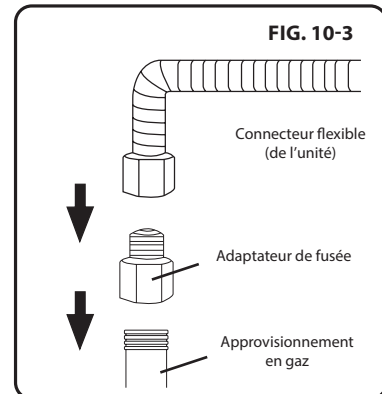
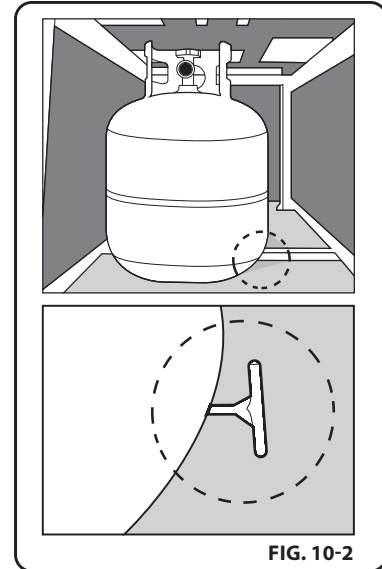
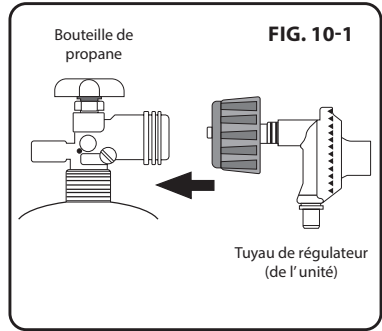
3. Installez un adaptateur de fusée (non fourni) à l'alimentation en gaz (TNP) en utilisant un joint d'étanchéité du tuyau de gaz ou du ruban téflon (voir Fig. 10.3).
4. Branchez le connecteur de câble au l'adaptateur de fusée (voir Fig. 10.3).

TEST DE FUITE

Ouvrez l'alimentation de gaz, allumez le brûleur, et testez à toutes les connexions pour détecter des fuites, en utilisant une solution d'eau savonneuse. Si des bulles apparaissent, une fuite est présente. Fermez le gaz et serrez toutes les connexions. Répétez l'opération jusqu'à ce qu'il n'y ait pas de fuites. Si la fuite persiste, fermez l'alimentation en gaz et contactez la section locale de votre compagnie de gaz ou le revendeur. **N'UTILISEZ JAMAIS UNE FLAMME POUR DÉTECTER LES FUITES.**

*Le raccord du tuyau de gaz doit comporter un connecteur conforme à la norme des connecteurs pour foyers au gaz en plein air. Appareils ANSI Z21.54 CSA 8.4.

Connecteur flexible (provenant de l'unité)/ adaptateur arrondi/ approvisionnement en gaz.



PASSER D'UN TYPE DE GAZ A UN AUTRE

Pour faire passer du propane au gaz naturel, ou du gaz naturel au propane, suivez attentivement les étapes ci-dessous:

1. COUPEZ L'ALIMENTATION EN GAZ DE L'UNITÉ ET DES SOURCES ÉLECTRIQUES À PROXIMITÉ OU DES APPAREILS.

2. S'il y en a, retirez tous les éléments décoratifs de l'unité.
3. Retirez les vis fixant le plateau du brûleur à votre boîtier.
4. Détachez délicatement le connecteur attache à la porte de l'orifice (voir Fig. 11.3) et dévissez la porte de l'orifice du tuyau du brûleur (voir Fig. 11.4)
5. Retirer l'orifice du support (voir Fig. 11.4) en le remplaçant par un autre avec la taille appropriée aux exigences de votre gaz. Le gaz propane nécessite un orifice de 2.30mm (taille de forage). Le gaz naturel nécessite un orifice de 3.78mm.

Remarque: Si vous être en train de utiliser le gaz naturel, ou l'utilisez déjà, vous devez installer le l'obturateur d'air sur le tuyau du brûleur pour couvrir les trous d'air (voir Fig. 11.4). Pour le propane (GPL), retirez l'obturateur d'air.

Remplacez le support de l'orifice et rebranchez le connecteur de la vanne (voir Fig. 11.3). Le régulateur doit maintenant être converti au nouveau type de gaz.

6. Pour convertir le régulateur de gaz propane au gaz naturel, l'appareil doit être isolé de la canalisation de gaz en fermant son cri individuel manuel vanne d'arrêt durant les tests de pression de la canalisation de gaz au test pressions égales à ou moins de 0.5 psi (3.5 Kpa)
7. Déplacez le tuyau de propane du régulateur (voir Fig. 11.5) et remplacez-le par la pipe 3/8" de gaz naturel (voir Fig. 11.6, paquet du tuyau de gaz naturel non inclus).
8. Restaurez votre approvisionnement en gaz et vérifiez s'il y a des fuites par section d'installation. Lorsqu'aucune fuite n'est détectée, fixez le plateau du brûleur à sa place sur le boîtier et remplacez le support décoratif.

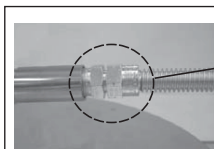


FIG. 11-3

Connecteur de la vanne attache au support de l'orifice sur le tuyau de brûleur. Détacher le connecteur de son support lors d'un changement d'orifice a un différent type de gaz.



Déposer le tuyau de propane

FIG. 11-5

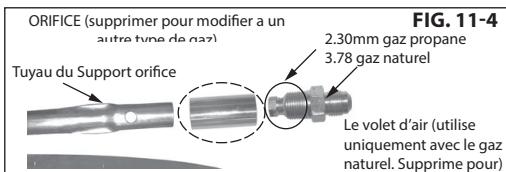


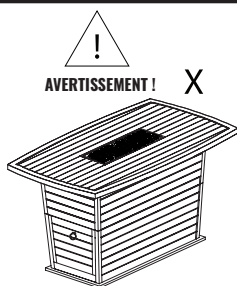
FIG. 11-4



Installer le tuyau de gaz

FIG. 11-6

DIRECTIVES GRANULE DE LAVE & CRISTAL DE VERRE D'INSTALLATION



1. Inspectez soigneusement le carton pour trouver des dommages d'expédition. S'il y a des pièces manquantes ou endommagées, contactez votre revendeur. N'essayez pas d'installer l'appareil à moins que toutes les composantes soient en bon état.
2. Une installation correcte est essentielle pour un fonctionnement sûr de votre foyer d'extérieur.
3. En raison de températures élevées, le foyer doit être situé hors de zones de passages et loin de combustibles.

De cristaux de verre: environ 10 kg

POSE DES ROCHES DE LAVE ET DES CRISTAUX DE CRISTAL

ATTENTION- Risques de coupures dus aux bords tranchants du verre. Utilisez des gants de protection au cours de la mise en place du verre.

Verser le sac de pierres de lave ou de cristaux de verre dans le feu de camp en plein air de sorte que le brûleur soit complètement recouvert (voir les figures 1 et 2). Ces instructions s'appliquent à la fois aux brûleurs ronds et rectangulaires.

Vue général

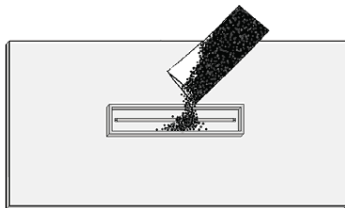


FIG. 1

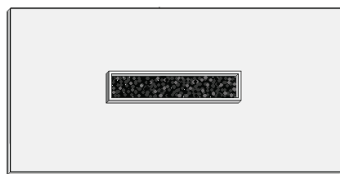


FIG. 2

ATTENTION: RISQUE DE BRÛLURES. LES GRANULES DE LAVE ET LES CRISTAUX DE VERRE RESTERONT CHAUDS

PENDANTS QUELQUES TEMPS APRÈS L'UTILISATION, VOUS DEVEZ CONSERVER LA DISPOSITION COMME ILLUSTRÉE, POUR ASSURER LE BON FONCTIONNEMENT DE VOTRE FOYER D'EXTÉRIEUR. SI VOUS AVEZ BESOIN DE REPOSITIONNER LES MATÉRIAUX POUR MAINTENIR LA MISE EN PLACE CORRECTE, UTILISEZ DES GANTS RÉSISTANTS OU DONNEZ AU MATÉRIEL DE TEMPS SUFFISANT POUR REFROIDIR AVANT LA MANIPULATION.

ACTIONNANT L'UNITÉ - ÉCLAIRAGE ET S'ÉTEIGNANT

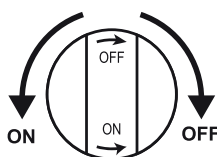
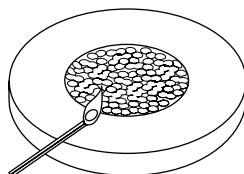
POUR VOTRE SÉCURITÉ, LISEZ AVANT D'ALLUMER

AVERTISSEMENT: Si vous ne suivez pas ces instructions exactement, une incendie ou une explosion peut résulter, entraînant des dégâts matériels, le dommage corporel, ou des pertes humaines.

1. **AVANT L'ALLUMAGE**, sentez tous autour de l'unité de superficie pour le gaz. Soyez sur de sentir à cote du plancher, parce qu'un certain gaz est plus lourd que l'air et arrangera sur le plancher.
2. **CE QUI A FAIRE SI VOUS SENTEZ LE GAZ**
 - a. Coupez le gaz à l'appareil.
 - b. Éteignez-vous n'importe quelle flamme nue.
 - c. Si l'odeur continue, appelez immédiatement votre fournisseur de gaz ou les corps de sapeurs-pompiers.
3. Utilisez seulement votre main pour enfoncer ou pour tourner le bouton de commande de gaz. N'utilisez jamais les outils. Si le bouton n'enfoncera pas ou ne tournera pas à la main, n'essayez pas de le réparer. Appelez un technicien qualifié de service professionnel. La force ou la réparation essayée peut avoir comme conséquence l'incendie ou l'explosion.

INSTRUCTIONS MANUELLES D'ÉCLAIRAGE

1. **ARRÊT!** Lisez l'information de sûreté ci-dessus.
2. Éteindre une allumette allumée de longuetige sur la surface des médias décoratifs près de l'anneau protecteur (ne tenez pas l'allumette dans votre main) (voir Fig. 14.1)
3. Pousser et tourner lentement le bouton de commande à la position allumer (voir Fig. 14.2). Votre brûleur devrait s'allumer.
4. Observer la hauteur de la flamme quand elle est allumée. La flamme devrait être de 3 à 13 pouces de haut (voir Fig. 14.3).
5. Si le brûleur ne s'allume pas avant que l'allumette sorte, tournez immédiatement le bouton de commande à la position de repos.
6. Attendez approximativement cinq (5) minutes pour dégager dehors n'importe quel gaz, et répétez les étapes 1-4 ci-dessus.
7. Si votre brûleur ne s'allume pas encore, tournez le bouton de commande à la position de repos et contactez votre fournisseur de revendeur ou de gaz.
8. Pour s'éteindre votre brûleur à gaz, tournez le bouton de commande à la position de repos. Soyez sur que le bouton de commande est arrêté entièrement pour éviter n'importe quelle fuite de gaz.



FONCTIONNEMENT

Chaque site d'installation pour chacune des unités présente son propre et unique environnement de combustion. Des facteurs spécifiques tels que la température, les courants aériens, les débris, l'altitude, les brises et la superficie des alentours ont tous une influence sur le fonctionnement adéquat de l'unité. Une unité fonctionnant normalement devrait présenter les caractéristiques suivantes:

- Une flamme jaune vive et réaliste,
- Aucune odeur

Si la flamme n'est pas propre (identifiable par de la suie excessive sur le média décoratif), référez-vous à la section ci-dessous NETTOYAGE ET ENTRETIEN.

BATTERIES

- Achetez toujours la taille et la qualité de batterie qui convient le mieux à l'usage destiné.
- Nettoyez les contacts de la batterie et ceux de l'appareil avant d'installer la batterie.
- Assurez-vous que les batteries soient correctement installées en fonction de leur polarité (+ et -)
- Retirez les batteries de l'équipement lorsqu'il n'est pas utilisé pendant une période de temps prolongée.
- Retirez promptement les batteries usagées.

INSTRUCTIONS MANUELLES D'ÉCLAIRAGE

1. **ARRÊT!** Lisez l'information de sûreté ci-dessus.
2. Éteindre une allumette allumée de longue-tige sur la surface des médias décoratifs près de l'anneau protecteur (ne tenez pas l'allumette dans votre main) (voir Fig. 14.1)
3. Pousser et tourner lentement le bouton de commande à la position allumer (voir Fig. 14.2). Votre brûleur devrait s'allumer.
4. Observer la hauteur de la flamme quand elle est allumée. La flamme devrait être de 3 à 13 pouces de haut (voir Fig. 14.3).
5. Si le brûleur ne s'allume pas avant que l'allumette sorte, tournez immédiatement le bouton de commande à la position de repos.
6. Attendez approximativement cinq (5) minutes pour dégager dehors n'importe quel gaz, et répétez les étapes 1-4 ci-dessus.
7. Si votre brûleur ne s'allume pas encore, tournez le bouton de commande à la position de repos et contactez votre fournisseur de revendeur ou de gaz.
8. Pour s'éteindre votre brûleur à gaz, tournez le bouton de commande à la position de repos. Soyez sûr que le bouton de commande est arrêté entièrement pour éviter n'importe quelle fuite de gaz.

ATTENTION: CHAUD DURANT ET APRÈS L'USAGE. Les enfants doivent être supervisés lorsqu'ils se trouvent à proximité de cet appareil. De sérieuses blessures peuvent survenir! Les enfants doivent être avertis des risques de température élevée de la surface et devraient rester à l'écart afin d'éviter les brûlures ou l'ignition des vêtements.

VÉRIFICATION DE QUALITÉ

Date: _____

No de modèle: _____

No de série: _____

Inspecteur: _____

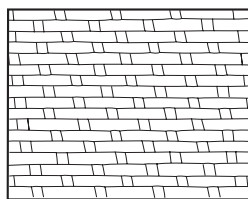
GARANTIE DU PRODUIT

Le fabricant garantit entièrement ce produit contre tout défaut de matériel et de fabrication pendant UN (1) an à compter de sa date d'achat. Remplacera toute pièce ou composant qui serait jugé défectueux et ne conviendrait pas au but visé. Conserver la preuve d'achat et envoyer un courrier électronique à l'adresse customerservice@rstbrands.com pour toutes les réclamations sous garantie ou pour contacter le service après-vente.

Avant de procéder au montage de la table de feu, il convient de se familiariser avec les composants et de vérifier qu'aucune des pièces listées ne manque. Si l'une ou l'autre des pièces manque, envoyer un courrier électronique à l'adresse customerservice@rstbrands.com ou composer le (801) 924-2090.

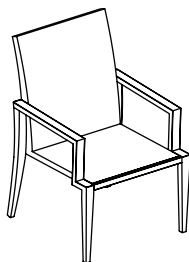
SOINS ET ENTRETIEN

Tout meuble à l'extérieur est soumis aux rayons UV ainsi qu'aux éléments météorologiques. Afin de préserver vos meubles aussi longtemps et aussi vibrants que possible, nous vous conseillons de les couvrir ou de les garder à l'intérieur lorsqu'ils ne sont pas utilisés. Pour plus d'informations sur les matériaux utilisés pour fabriquer nos meubles, veuillez visiter www.rstbrands.com/details-landing



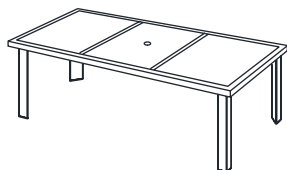
OSIER

Laver simplement vos meubles en osier avec un détergent léger, en les protégeant autant que possible en les couvrant ou en les gardant à l'intérieur lorsqu'ils ne sont pas utilisés, est suffisant.



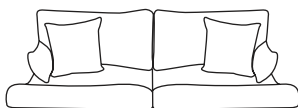
CADRES EN ALUMINIUM

Les meubles incorporent des cadres recouverts en aluminium qui sont conçus pour nécessiter un entretien minimum. Évitez de laisser trop de poussière s'empiler en les lavant avec du savon doux et de l'eau. Ne laissez jamais de meuble sous l'eau.



SURFACES EN PIERRE / DESSUS DE TABLE

Les liquides renversés doivent être nettoyés rapidement pour éviter toute tache sur la surface. Un lavage régulier avec un savon doux et de l'eau en utilisant une éponge ou une brosse souple est l'unique chose requise. Ranger ou couvrir votre surface en pierres naturelles lorsque'elle n'est pas utilisée pendant une durée étendue est recommandé.



TISSUS

Nettoyez les liquides renversés avec un tissu et de l'eau. Utilisez Sunbrella®, conçu pour protéger et durer pendant plusieurs années. Les tissus Sunbrella sont traités avec de l'eau et du produit anti-taches. Si nécessaire pour faire revivre les tissus, Glen Raven® recommande 303® Fabric Guard™. Pour plus d'informations, visiter www.303products.com et suivre les instructions présentes sur le conteneur.

Mesa Chimenea de bar

107 cm x 183cm



ATENCIÓN: Para uso exclusivo al aire libre (domestico)



ATENCIÓN: La instalación o ajuste inadecuado, alteración, mal ser vicio o funcionamiento puede causar heridas o danos a la propiedad. Lea las instrucciones de instalación, operación y mantenimiento antes de instalar o reparar este equipo.



ATENCIÓN

No almacene o utilice gasolina, u otros vapores y líquidos inflamables cerca de este o cualquier otro aparato.

Los tanques de gas que no están siendo utilizadas, no deben almacenarse cerca de este u otro dispositivo.



PELIGRO Si huele a gas:

1. Cierre el suministro del gas hacia el aparato.
2. Apague cualquier llama.
3. Si el olor continua, manténgase alejado del aparato y llame inmediatamente al encargado del gas o departamento de bomberos.



ATENCIÓN

Los productos químicos que el estado de California sabe que causan cáncer, defectos congénitos u otros danos reproductivos son producidos por la combustión de propano.



ATENCIÓN

Los subproductos de la combustión del propano contienen sustancias químicas que el estado de California sabe que causan cáncer u otros daños reproductivos.



ATENCIÓN



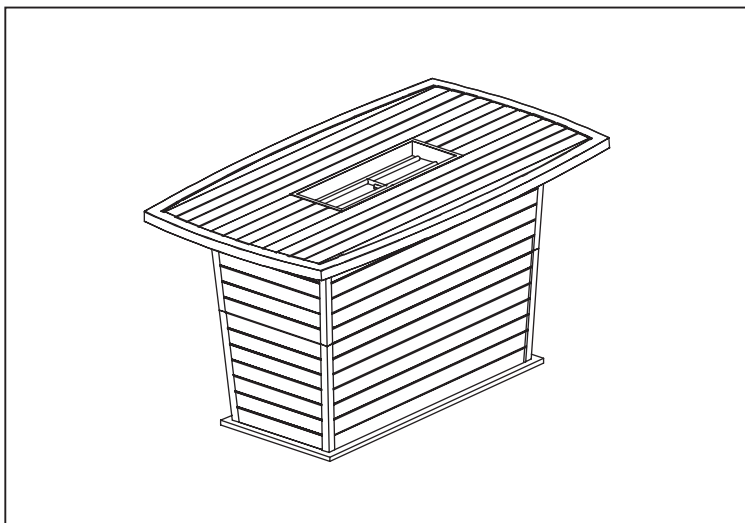
RIESGO DE MONÓXIDO DE CARBONO

Este aparato puede producir monóxido de carbono, el cual no desprende olor.

El utilizarlo en un sitio cerrado, podría matarlo.

Nunca utilice este aparato en un espacio cerrado como una auto-caravana, tienda de campana, vehículo o casa.

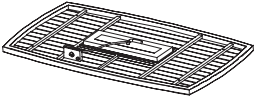
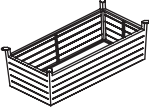
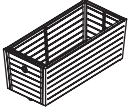
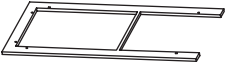

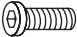
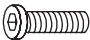
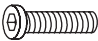


Mesa Chimenea de bar 107 cm x 183cm



MANUAL DE INSTRUCCIONES Y ENSAMBLE

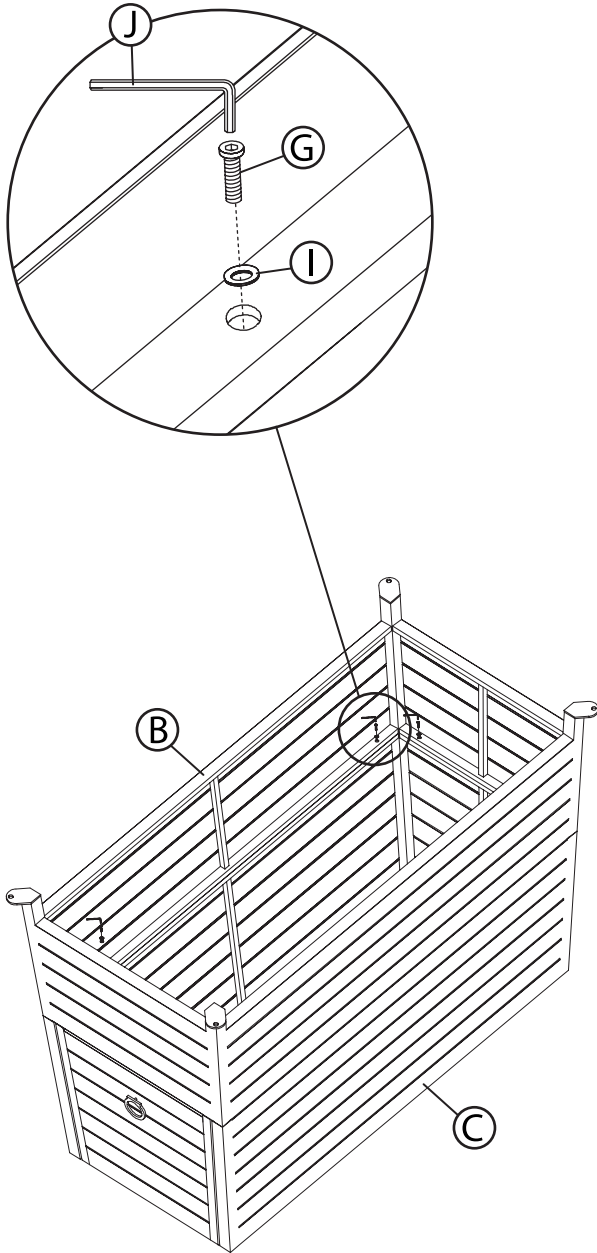
**IMPORTANTE, RETENER PARA FUTURAS CONSULTAS.
LEA CUIDADOSAMENTE**

LISTA DE PARTES

NO.	IMAGEN	DESCRIPCIÓN (PARTE)	CANT.
A		Superficie de la mesa	1
B		Sección base superior	1
C		Sección base inferior	1
D		Estabilizador de base de mesa	1
E		Estabilizador de base de puerta	1
F		Perno (M6*20)	4
G		Perno (M6*30)	6
H		Perno (M6*35)	8
I		Arandela (13*1.0)	18
J		Llave Allen #4	1

Paso 1.

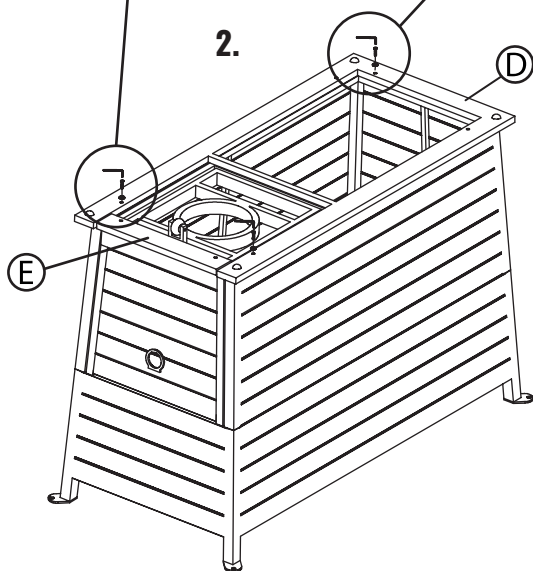
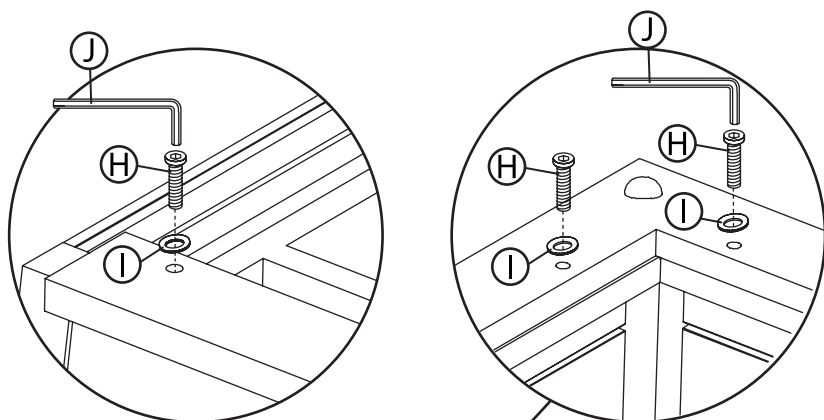
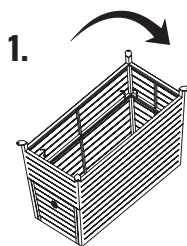
CONECTE LAS SECCIONES DE LA BASE SUPERIOR E INFERIOR - Conecte la sección de la base superior (B) a la sección de la base inferior (C) con los pernos (G), las arandelas (I) y la llave Allen (J).



FIJE LA BASE INFERIOR Y EL ESTABILIZADOR DE LA PUERTA

Paso 2.

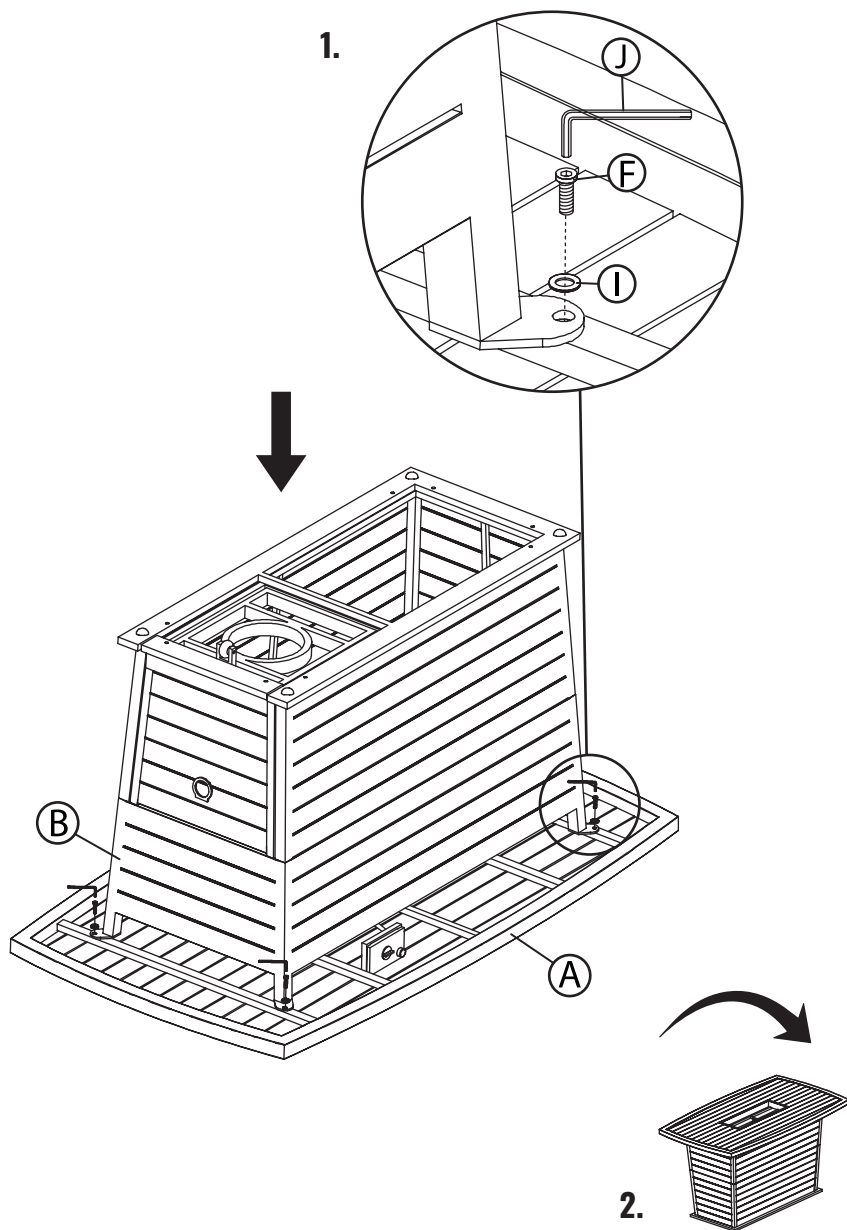
1. Voltee la base de la mesa de fuego ensamblada al revés.
2. Fije los estabilizadores de la base de la puerta y de la mesa (E), (D) al fondo de la mesa de fuego con los pernos (H), las arandelas (I) y la llave Allen (J).



FIJE LA BASE INFERIOR Y EL ESTABILIZADOR DE LA PUERTA

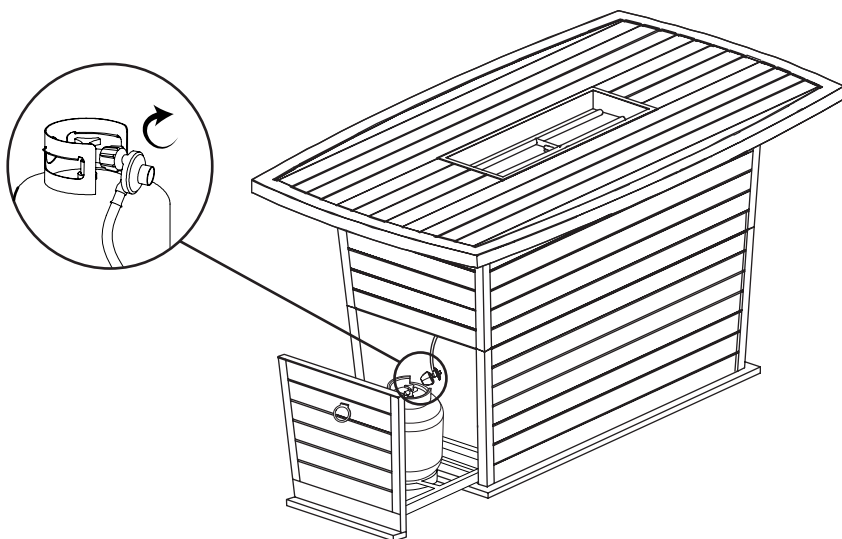
Paso 3.

1. Con la mesa (A) al revés, coloque la base ensamblada en su lugar encima de la mesa. Fije la base al tablero de la mesa (A) con los pernos (F), las arandelas (I) y la llave Allen (J).
2. Voltee la mesa de fuego ensamblada con el lado derecho hacia arriba.



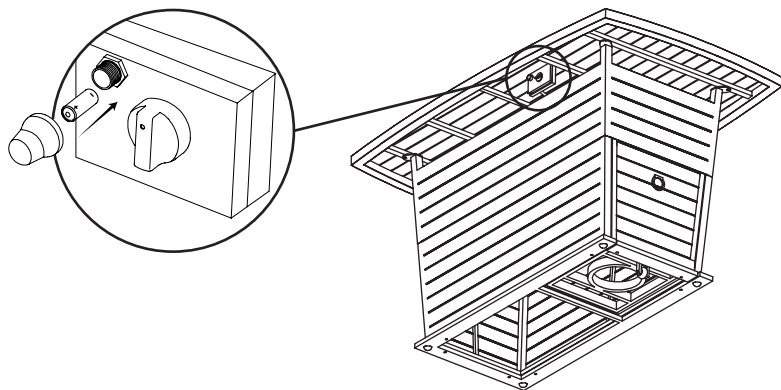
Paso 4.

ACCESORIO DE TANQUE DE PROPANO - Conecte la manguera de LP desde la bandeja del quemador al tanque de LP (no incluido). La capacidad marcada de LPG del cilindro es de 20 lbs. Según lo indicado por los fabricantes de cilindros.



Paso 5.

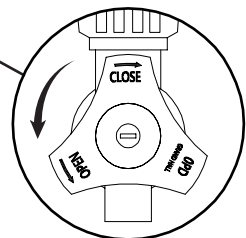
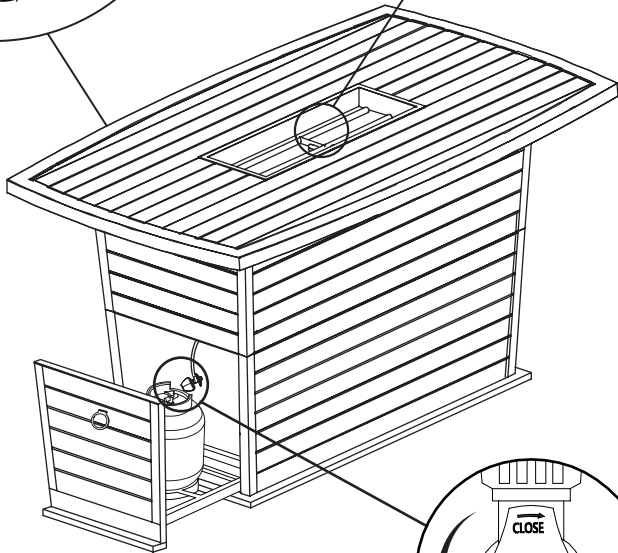
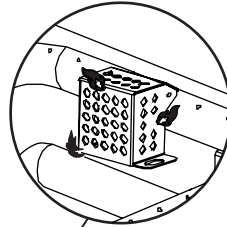
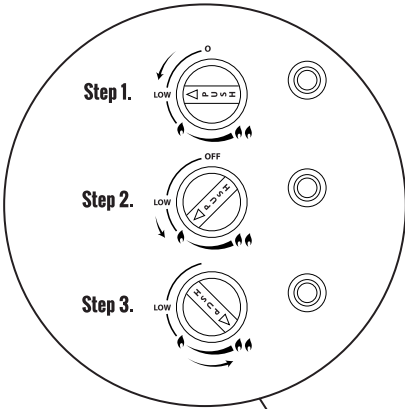
PREPÁRATE PARA LA ILUMINACIÓN - Coloque una batería AA (no incluida) en la válvula LP / panel de arranque antes de intentar encender.
PRECAUCIÓN: Antes de encender, gire la válvula en el tanque de LP. Aplique agua jabonosa en todos los componentes con fugas. Si aparecen burbujas, apriételas y vuelva a aplicar agua jabonosa. Si no aparecen burbujas, cierre la válvula y proceda a encender. Si todavía hay burbujas, comuníquese con las marcas.



Paso 6.

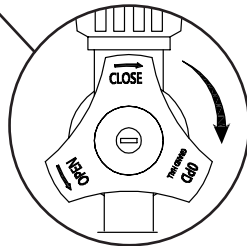
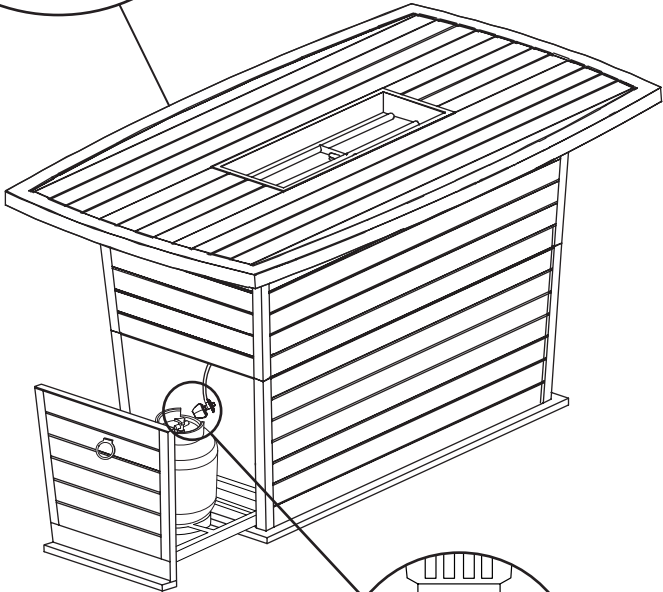
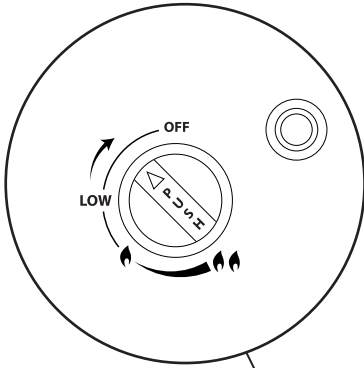
INSTRUCCIONES DE ILUMINACIÓN - Asegúrese de que la válvula del tanque de propano esté abierta antes de continuar. Los procedimientos de iluminación inadecuados pueden causar posibles consecuencias.

1. Para encender, empuje la perilla del regulador hacia adelante y gire un cuarto de vuelta en sentido antihorario a la posición "baja".
2. Con la válvula presionada, presione el botón del encendedor para encender el quemador piloto. Una vez que se enciende el quemador piloto, mantenga presionada la válvula durante más de diez segundos para evitar que la llama del quemador piloto se apague, luego suéltela.
3. Para bajar la llama una vez encendida, gire la válvula sin empujarla. Para aumentar la llama, empuje la válvula hacia adentro y gírela en sentido antihorario hacia el fuego alto. Si la llama no está en una condición estable (haciendo ruido, balanceándose, etc.), apáguela inmediatamente y llame a.



Paso 7.

APAGADO DE LA MESA DE FUEGO - Para cerrar, cierre la válvula en el tanque de propano cuidando que la llama se extinga por completo. Empuje la válvula reguladora hacia adentro y gírela a la posición de apagado. Espere 5 minutos de apagado completo antes de volver a encender el aparato.



MANTENIMIENTO DEL REVESTIMIENTO METÁLICO

El mobiliario incorpora revestimientos de metal diseñados para que requieran un mantenimiento mínimo.

- Los revestimientos metálicos deben permanecer limpios
- No permita que la suciedad se acumule en los revestimientos metálicos
- Solo necesita limpiar la superficie con un poco de agua y jabón suave
- No coloque nunca la mesa sobre una superficie mojada
- Para un buen mantenimiento del mobiliario, puede guardar o cubrir su mesa cuando no la vaya a utilizar durante una larga temporada.

CUBIERTAS DE PIEDRA NATURAL Y DE IMITACIÓN

Todas las cubiertas de mesa de piedra natural de, incluyendo las de mármol natural, mármol tratado y granito, reciben en fabrica un baño con un sellador que se impregna y penetra profundamente en los poros de la superficie ofreciendo una barrera duradera que bloquea aceites, agua, manchas y suciedad.

- Cualquier liquido derramado deberá limpiarse rápidamente para evitar manchas en la superficie. Solo se necesita limpiar la superficie regularmente con un poco de agua y jabón suave y la ayuda de una esponja o cepillo suave.
- No necesita resellado tras un uso domestico continuo durante, al menos, 2 o 4 anos.
- Con el tiempo, las cubiertas de piedra natural se desteñirán debido a la luz solar directa.
- Las cubiertas de piedra pueden ser re-pulidas por un profesional, y siempre necesitaran ser re-selladas tras el pulido.
- Se recomienda almacenar o cubrir la cubierta de piedra natural cuando no vaya a utilizarse durante una larga temporada.

MANUAL DE USUARIO - MESA CHIMENEA

Importante: Lea cuidadosamente estas instrucciones antes de instalar la mesa chimenea para exteriores.

Lista de control para el funcionamiento de la unidad

Para obtener una experiencia de calefacción placentera y segura, realice este control antes de cada uso.

1. Conozco el manual del usuario y comprendo todas las precauciones que allí se indican.
2. Todas las partes están correctamente ensambladas, intactas y operables.
3. No se realizaron alteraciones.
4. Todas las conexiones de gas son seguras y no presentan filtraciones.
5. La velocidad del viento es menor a 10 mph.
6. La unidad funcionara con una eficacia reducida si la temperatura se encuentra por debajo de los 40°F / 4°C.
7. La mesa chimenea esta situada al aire libre y fuera de cualquier recinto.
8. La ventilación es adecuada. No utilice este aparato si alguna de sus partes estuvo sumergida en agua. Llame inmediatamente a un técnico capacitado para inspeccionar el artefacto y reemplazar la parte del sistema de control y de control del gas que estuvo sumergida en agua.
9. La mesa chimenea se encuentra alejada de vapores o de líquidos inflamables, como la gasolina.
10. La mesa chimenea se sitúa lejos de ventanas, aberturas de entrada de aire, rociadores y de otras fuentes de agua.
11. La mesa chimenea se encuentra por lo menos a 36 pulgadas (1 m) de cualquier material inflamable, tanto en su parte trasera como en sus lados.
12. La mesa chimenea se encuentra en una superficie plana y firme.
13. No hay evidencia de nidos de insectos o de arañas en sus cercanías.
14. Todos los conductos del quemador están limpios.
15. Todos los canales de circulación de aire están despejados.

Advertencia:

1. Es necesario alertar a niños y adultos acerca de los peligros de las altas temperaturas de las superficies, manteniéndose alejados para evitar quemaduras físicas o de ropa.
2. Se deberá supervisar cuidadosamente a los niños pequeños mientras se encuentren en el área de la mesa chimenea.
3. No colgar de la mesa chimenea o colocar sobre o cerca de la misma, ropa o cualquier otro material de protección.
4. Antes de encender la mesa chimenea vuelva a colocar cualquier protector o dispositivo de protección que hubiese sido quitado para el servicio de mantenimiento de la mesa chimenea.
5. Los procesos de instalación y de reparación deberán realizarse por personas capacitadas. Haga inspeccionar la mesa chimenea por un técnico antes de usarla y por lo menos una vez al año.
6. En ocasiones puede ser necesario limpiar la mesa chimenea con mayor frecuencia. Es fundamental mantener siempre limpios los compartimientos de control, los quemadores y los canales de circulación de aire de la mesa chimenea.

Después de usar confirme:

1. El control del gas esta en función APAGADO.
2. La válvula del tanque de gas esta APAGADA.
3. Desconecte la línea del gas.
4. Re-coloque la tapa del tanque después de cada uso.

!!Antes de iniciar el ensamblaje asegúrese de que dispone de todas sus partes. Para ello, compare las piezas de la lista de contenido del paquete con las del contenido de su mesa chimenea. No intente armar el producto si faltan piezas o si las mismas están dañadas. Contacte al servicio al cliente para reemplazar tales piezas!!

PRECAUCIONES

Tiempo estimado de ensamblaje: 15 minutos.

Herramientas necesarias (no incluidas): destornillador Phillips de hoja mediana y solución de detección de fuga.

Requisitos del código y de provisión: La instalación de este producto debe realizarse en conformidad con los códigos locales o, en ausencia de códigos locales, en conformidad al último Código Nacional de Gas Combustible, ANSI z223.1.



PELIGRO Si huele a gas:

1. Cierre el suministro del gas hacia el aparato.
2. Apague cualquier llama.
3. Si el olor continua, manténgase alejado del aparato y llame inmediatamente al encargado del gas o departamento de bomberos.



ATENCIÓN

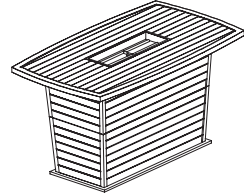
No almacene o utilice gasolina, u otros vapores y líquidos inflamables cerca de este o cualquier otro aparato.

Los tanques de gas que no están siendo utilizadas, no deben almacenarse cerca de este u otro dispositivo.

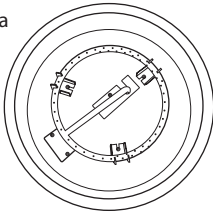
Instalador y consumidor: Conserve estas instrucciones para referencias futuras. Para uso exterior únicamente. Si se almacena en un lugar cerrado, separe y deje el cilindro al aire libre.

Lista de piezas:

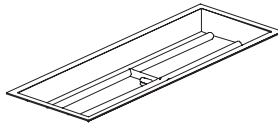
1. Mesa chimenea
2. P81001 o P81002 Bandeja del quemador (natural o propano)
3. Perilla de control
4. Orificio de gas natural y obturador de aire
5. Borde de contorno del brasero



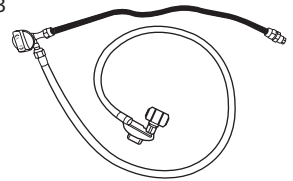
2a



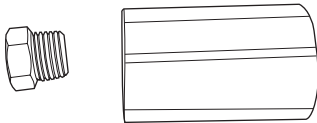
2b



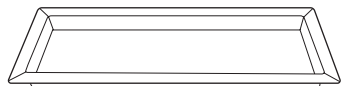
3



4



5



PRECAUCIONES

NORMAS DE SEGURIDAD DE PRE-INSTALACIÓN Y PREPARACIÓN

1. Antes de instalar la unidad refiérase a la sección sobre la distancia mínima requerida entre la ubicación del aparato y los elementos combustibles para asegurarse que el tamaño del área es el adecuado para la instalación.
2. La unidad es para uso externo únicamente. NO instale o utilice este aparato dentro de un edificio, garaje, o cualquier otra área cerrada, incluyendo vehículos y/o barcos de uso recreativo. Instale la unidad de manera tal que la abertura de ventilación en la base de la unidad permanezca despejada y libre de obstrucciones en todo momento y bajo toda condición meteorológica.
3. **COMPRUEBE EL TIPO DE GAS (natural o propano):** Pude ocurrir que el suministro de gas que planea utilizar no sea el mismo que el indicado en la placa de características de la unidad cuando lo compro. Si el suministro de gas es diferente, convierta la unidad al tipo de gas que desea utilizar. Consulte la sección **CONVERSIÓN A UN TIPO DE GAS DIFERENTE**. Si no está seguro, póngase en contacto con el distribuidor para que lo asista. **SOLO LAS UNIDADES MANUALES ESTÁN SUJETAS A CONVERSIÓN.**
4. **COMPRUEBE EL TIPO DE GAS (natural o propano):** Pude ocurrir que el suministro de gas que planea utilizar no sea el mismo que el indicado en la placa de características de la unidad cuando lo compro. Si el suministro de gas es diferente, convierta la unidad al tipo de gas que desea utilizar. Consulte la sección **CONVERSIÓN A UN TIPO DE GAS DIFERENTE**. Si no está seguro, póngase en contacto con el distribuidor para que lo asista. **SOLO LAS UNIDADES MANUALES ESTÁN SUJETAS A CONVERSIÓN.**
5. Mida el sistema de tuberías de gas para proporcionar la presión mínima de entrada en su máximo caudal (BTU/hs). Si el tubo es muy pequeño, o si el recorrido es demasiado largo, se producirá una pérdida excesiva de presión.
6. Para instalaciones en alturas superiores a los 2.000 pies (610 metros), contacte a su proveedor o distribuidor local de gas antes de realizar la instalación. El índice de entrada deberá reducirse aproximadamente un 4% por cada 1.000 pies (305 metros) sobre el nivel del mar. Refiérase al Código Nacional de Gas Combustible.
7. La unidad y su válvula de cierre individual, deben desconectarse del sistema de tuberías de suministro de gas durante cualquier prueba de presión del sistema, cuando la presión es superior a ½ psi (3.5 kPa).
8. **NOTA PARA EL INSTALADOR:** Instale la unidad de modo tal que pueda quitarse con fines de mantenimiento.
9. **REQUISITOS DE PLOMEARÍA PARA EL SUMINISTRO DE GAS:**
 - a. Aplique solo aquellos compuestos para juntas de cano resistentes a todo tipo de gases en todas las instalaciones de tuberías macho. Asegúrese de ajustar las articulaciones de forma segura. No utilice selladores de uniones para conectar accesorios abocinados. Conduzca el tubo de suministro de gas desde el piso del recinto hasta su centro (si aplica).

PRECAUCIÓN: La instalación y el mantenimiento se llevaran a cabo por un técnico diplomado por el Instituto Nacional de Incendios (NFI, por sus siglas en ingles), u otro instalador profesional capacitado. Instalador, lea estas instrucciones antes de instalar este producto. Asegúrese de comprender todas las precauciones de seguridad y las advertencias de este manual.

NOTA: Por cuestiones de seguridad, cuando la unidad no esta en uso, se suministra una válvula externa de ENCENDIDO/ APAGADO en la línea de gas, la cual facilita, además, los servicios de mantenimiento y de reparación.

NORMAS DE SEGURIDAD PARA LA INSTALACIÓN

1. Tanto la instalación como la reparación de la unidad deben realizarse por un técnico capacitado. El aparato debe inspeccionarse por un técnico antes de usarse y por lo menos una vez al año. En caso de ser necesario se requerirá de una limpieza más frecuente. Es fundamental mantener siempre limpios los compartimentos de control, los quemadores y los canales de circulación de aire del aparato.
2. Examine cuidadosamente si se produjeron daños durante el transporte. Si hay piezas dañadas, llame al distribuidor.
3. La instalación y la colocación apropiada de la unidad y de los materiales decorativos es fundamental para el funcionamiento seguro de la unidad. Consulte las instrucciones de instalación para más información.
4. Corrobore que la unidad se instale de manera tal que la abertura de ventilación en la base de la unidad permanezca libre de obstáculos en todo momento y bajo toda condición meteorológica.
5. Debido a las altas temperaturas, la unidad debe colocarse fuera de zonas de tráfico y lejos de elementos inflamables.

MANEJE LA UNIDAD DE FORMA SEGURA Y CORRECTA

1. El aparato debe usarse en temperaturas superiores a 32° F.
2. Al apagar la unidad asegúrese de girar la válvula de control completamente hacia la posición de APAGADO.
3. Supervise cuidadosamente a los niños al acercarse al área donde se encuentra la unidad.
4. NO se siente, ni coloque ninguna parte del cuerpo, ropa u otros materiales inflamables sobre o cerca de la unidad. Tanto niños como adultos deben ser alertados sobre los peligros de las altas temperaturas de las superficies y deben alejarse para evitar quemaduras o el encendido de la ropa.
5. Cada vez que utilice la unidad asegúrese de que:
 - a. El área que circunda a la unidad esta limpia y libre de materiales combustibles, gasolina y otros vapores y líquidos inflamables.
 - b. No hay obstrucción del flujo de aire que atraviesa las aberturas de ventilación localizadas al pie de la unidad.
 - c. Se inspecciona la manguera (si aplica). Consulte la sección USO SEGURO Y MANTENIMIENTO DE LOS CILINDROS DE GAS PROPANO.
6. ADVERTENCIA: CALIENTE DURANTE Y DESPUÉS DE SU USO. ¡Riesgo de lesión grave! NO arroje basura, papel u otros materiales inflamables dentro de la unidad. NO deje la unidad funcionando si no puede supervisarla. NO USE ESTA UNIDAD BAJO LA LLUVIA.
7. NO QUEME COMBUSTIBLE SOLIDO en la unidad.
8. NO utilice la unidad si siente olores inusuales o experimenta dolores de cabeza, náuseas o mareos.
9. NO almacene materiales combustibles, gasolina o cualquier otro vapor/líquido inflamable cerca de la unidad. Proporcione un espacio adecuado tanto para el funcionamiento de la mesa chimenea, como para los servicios de mantenimiento.
10. NO utilice la unidad si alguna de sus piezas estuvo sumergida en agua. Comuníquese inmediatamente con un técnico de servicio profesional para inspeccionar el equipo y reemplazar la parte del sistema de control que estuvo bajo agua.

USO SEGURO Y MANTENIMIENTO DE BOTELLAS DE GAS PROPANO

IMPORTANTE PARA SU SEGURIDAD

LEA Y SIGA TODAS LAS ADVERTENCIAS PROVISTAS JUNTO AL CILINDRO DE GAS PROPANO

Toda vez que opere este aparato con un cilindro de gas propano, DEBE respetar las siguientes instrucciones y advertencias. EL NO CUMPLIMIENTO DE LAS MISMAS PUEDE RESULTAR EN EXPLOSIÓN O INCENDIO GRAVES

REQUISITOS DEL CILINDRO/CONECTOR

1. Los cilindros de gas propano, las válvulas y las mangueras deben mantenerse en buenas condiciones y deberán reemplazarse siempre que hubiese daño visible, ya sea en el cilindro o en la válvula. Si la manguera esta cortado o muestra abrasión o desgaste excesivo, deberá reemplazarse antes de usar el aparato de gas (ver 5).
2. Toda vez que utilice esta unidad con un cilindro, debe conectarla a un recipiente estándar de almacenamiento de gas propano de 5 galones (20 libras) con un DPD (Dispositivo de Prevención de Desborde). El DPD se convirtió en requisito de venta desde el 1º de octubre de 1998, para prevenir desbordes.
3. Las dimensiones del cilindro deben ser de aproximadamente 12" (30.5 cm) de diámetro y 18" (45.7 cm) de alto. Los cilindros deben ser creados y marcados de acuerdo con las Especificaciones para cilindros de gas propano del Departamento de Transporte de EE.UU. (D.T.E.) o en conformidad a la Norma Nacional de Canada, CAN/CSA-B-339, cilindros esferas y tubos para el Transporte de Mercaderías Peligrosas.
4. El cilindro utilizado debe incluir un collar que proteja a la válvula del cilindro, y el sistema de suministro del cilindro debe disponerse para la extracción de vapor.
5. Tanto el regulador de presión como la manguera, provistos con este electrodoméstico de cocina a gas de uso externo, deben ser utilizados. Los originales y los repuestos de ambos deben ser los especificados por el fabricante para la conexión con un dispositivo de conexión del cilindro identificada como Tipo 1 por el ANSI Z21.58-2005/CGA 1.6-2005 (ver LISTA DE PARTES para obtener información sobre pedidos).
6. La válvula del cilindro de gas propano debe estar provista de un dispositivo de acoplamiento de conexión de cilindro, que se describe como Tipo 1 en la norma definida en el párrafo 5., de mas arriba. Este dispositivo se describe comúnmente como una rosca Acme de acoplamiento rápido.
7. Si el cilindro de gas propano contiene un tapón de polvo, coloque la tapa de polvo en la salida de la válvula del cilindro cuando el mismo no esta en uso.

FUNCIONAMIENTO DEL ACOPLAMIENTO RÁPIDO

Para conectar el regulador/la manguera a la válvula de ajuste de cilindro de gas propano: Presione la tuerca de mano del regulador sobre el accesorio de rosca Acme de la válvula de cilindro. Gire la tuerca de mano hacia la derecha para acoplar las roscas y apriete hasta que quede ceñido.

El uso de pinzas o llaves no debería ser necesario. Pueden utilizarse unicamente aquellos cilindros con etiqueta de "propano".

Para desconectar: Gire la tuerca de mano hacia la derecha hasta desconectar (figura 7.1).

Importante: Antes de utilizar la unidad, y después de re-colocarla si se la retiro, corrobore el estado de la manguera (ver 1.) y revise todas las conexiones para detectar perdidas. Cierre las válvulas de la unidad y abra la válvula principal del cilindro, luego revise las conexiones con agua jabonosa. Repare las fugas antes de encender la unidad.

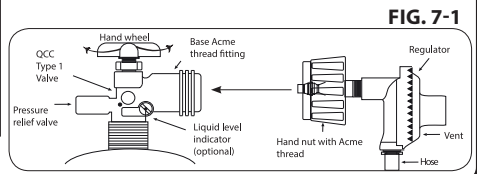
PRECAUCIÓN: Cierre siempre la válvula principal del cilindro de gas propano después de cada uso y antes de trasladar la unidad y el cilindro o de desconectar el acoplamiento. La válvula debe permanecer cerrada y el cilindro desconectado mientras el aparato no este en uso, a pesar de que la unidad cuenta con un dispositivo de seguridad que detiene el flujo de gas, actuando cuando el acoplamiento se desconecta.

Inspeccione cuidadosamente la manguera antes de encender el gas. Si la manguera esta agrietada o desgastada reemplazarla inmediatamente.

Si guarda el aparato en un lugar cerrado, desconecte y retire el cilindro. Los cilindros desconectados deben guardarse al aire libre, fuera del alcance de los niños, con los tapones de válvulas roscados firmemente instalados y no deben almacenarse en edificios, garajes o cualquier otro área cerrada.

PARA SU SEGURIDAD

1. NO almacene cilindros de repuesto de gas propano debajo o cerca del aparato.
2. NUNCA llene el tanque a mas del 80 por ciento de su capacidad.
3. SI LA INFORMACIÓN PROPORCIONADA EN LOS PUNTOS 1. Y 2. NO ES CONSIDERADA, SE CORRE EL RIESGO DE INCENDIO, OCASIONANDO DANOS GRAVES E INCLUSO LA MUERTE.



IMPORTANTE INFORMACIÓN DE SEGURIDAD

TENGA CUIDADO

S'il n'est pas installé et utilisé correctement en suivant ces instructions, ce produit peut causer des blessures graves.

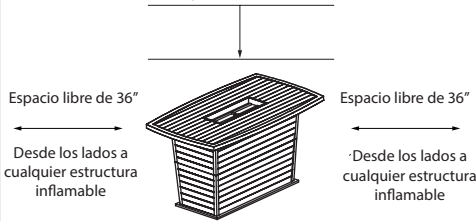
PRECAUCIÓN: La instalación y el mantenimiento del producto deben realizarse por un técnico diplomado por el Instituto Nacional de Incendios (NFI, por sus siglas en inglés), o por un instalador profesional capacitado. Lea estas instrucciones antes de instalar la mesa chimenea para exteriores. Asegúrese de comprender todas las precauciones de seguridad y las advertencias comprendidas en este manual.

1. PARA USO EN EXTERIORES ÚNICAMENTE. LA UNIDAD DEBE INSTALARSE COMO MÍNIMO A 36" DE CUALQUIER PARED O MATERIAL COMBUSTIBLE. NO PUEDE INSTALARSE BAJO NINGÚN TIPO DE TECHO O CORNISA (VER FIG. 9.1).
2. Al apagar la unidad, asegúrese de GIRAR COMPLETAMENTE LA VÁLVULA DE CONTROL HACIA LA POSICIÓN DE APAGADO.
3. ADVERTENCIA: LA INTOXICACIÓN POR MONOXIDO DE CARBONO PUEDE LLEVAR A LA MUERTE. NO MODIFIQUE ESTA MESA CHIMENEA PARA EXTERIORES, O SUS CONTROLES, CON EXCEPCIÓN DE LO PROVISTO EN ESTE MANUAL. Cualquier otra modificación puede ser peligrosa. La instalación o el uso incorrecto de la chimenea para exteriores pueden causar daño severo o la muerte como consecuencia de incendios, quemaduras, explosiones o intoxicación por monóxido de carbono.
4. Antes de la instalación, examine las normativas locales y estatales para determinar si se permite, en su localidad, la utilización de la mesa chimenea para exteriores.

ESPACIOS MÍNIMOS REQUERIDOS DE PROXIMIDAD A COMBUSTIBLES

FIG. 9-1

Nota: no puede haber nada encima de la mesa chimenea para exteriores.



Distancia hacia las estructuras inflamables:

Distancia hacia las estructuras inflamables:

Paredes laterales: 36" desde el borde del anillo superior (Fig. 9.1).

Techo: no puede haber nada encima de la mesa chimenea de uso externo.

Piso: 0"—puede instalarse en terrazas, losas, pisos, etc.

Las dimensiones que se señalan en la Fig. 9.1 son ESPACIOS LIBRES MÍNIMOS que deben conservarse al instalar esta mesa chimenea de uso externo. Todos los lados de la apertura de la caja deben mantener una distancia de al menos 36" hasta el combustible mas cercano. La unidad NO PUEDE instalarse bajo ningún tipo de techo o cornisa.

INSTALACIÓN

IMPORTANTE: Asegúrese de leer y comprender todas las precauciones de seguridad y las advertencias que se presentan en este manual.

ANTES DE CONTINUAR, LEA ATENTAMENTE LA INFORMACIÓN DE SEGURIDAD QUE SE EXPONE EN EL MANUAL DEL USUARIO, INCLUYENDO:

- A. Directives de sécurité de pre-installation et de préparation.
- B. Directives de sécurité d'installation.
- C. Dégagement minimum des matériaux combustibles.

COMPRUEBE QUE EL SUMINISTRO DE GAS DE LA UNIDAD ESTE APAGADO.

Nota: Para instalar la unidad, ya sea con gas natural o con gas propano, debe contar con una línea de suministro de gas instalada por un técnico capacitado, de acuerdo a las normas locales. Diríjase a la LISTA DE PIEZAS para instalar la unidad.

UBICACIÓN

Mientras sigue los requisitos y la información de seguridad de este manual, coloque la unidad en una superficie plana y nivelada. CONECTE A UN CILINDRO DE SUMINISTRO DE GAS PROPANO.

CONECTE A UN CILINDRO DE SUMINISTRO DE GAS PROPANO

IMPORTANTE: Antes de la instalación asegúrese de que el cilindro de propano este apagado.

INSTALACIÓN (CONT.)

Instale el regulador del conjunto de mangueras (no incluido) a la unidad utilizando compuesto de material sellante para tuberías de gas o una cinta de teflón. A continuación, conecte el extremo del regulador al cilindro de propano y apriete (ver Fig. 10.1). Siga todas las instrucciones y advertencias de seguridad adjuntas al cilindro de propano.

Coloque el cilindro en el asiento del tanque y gire el tornillo hacia la derecha hasta que se detenga completamente (ver Fig. 10.2).

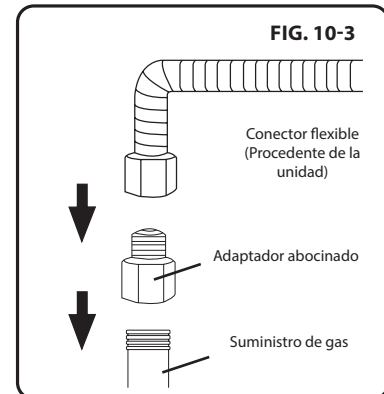
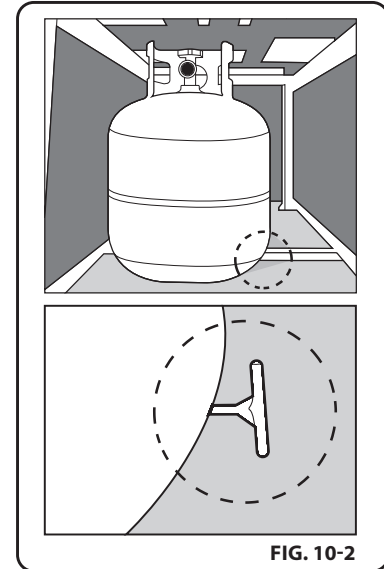
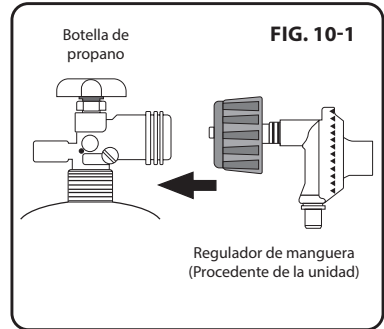
CONEXIÓN A UN SUMINISTRO DE GAS NATURAL O DE GAS PROPANO

1. Conecte un conector flexible (no incluido) a la unidad utilizando un compuesto de material sellante para tuberías de gas o una cinta de teflón (ver Fig. 10.2).
2. Conduzca el tubo de suministro de gas desde abajo de la unidad hasta su centro.
NOTA: Coloque la línea de suministro de gas en áreas donde la gente no pueda tropezar con ella o donde no este expuesta a danos por accidentes.
3. Instale un adaptador abocinado (no incluido) al suministro de gas (NPT, por sus siglas en ingles) utilizando un compuesto de material sellante para tuberías de gas o una cinta de teflón (ver Fig. 10.3).
4. Conecte el conector flexible al adaptador abocinado (ver Fig. 10.3).

PRUEBA DE FILTRACIONES

Abra el suministro de gas, encienda el quemador y pruebe todas las conexiones para descartar fugas, utilizando una solución de agua jabonosa. La presencia de burbujas es señal de filtración. Apague el gas y reajuste todas las conexiones. Repita hasta que note ausencia de fuga. Si una filtración persiste, cierre el suministro de gas y contacte a la compañía de gas local o a su proveedor. **NUNCA UTILICE UNA LLAMA PARA COMPROBAR LA PRESENCIA DE FILTRACIONES.**

*El conector de mangueras de gas debe tener un conector que cumpla con las Normas de Conectores de Manguera para Gas para Gas para Electrodomésticos de Gas Potables de Uso Externo, ANSI Z21.54 CSA 8.4.



CONVERSIÓN A OTRO TIPO DE GAS

Para convertir de gas propano a gas natural o de gas natural a gas propano, siga cuidadosamente los siguientes pasos:

1. CIERRE EL SUMINISTRO DE GAS DE LA UNIDAD Y DE CUALQUIER OTRA FUENTE ELÉCTRICA O DE ELECTRODOMÉSTICOS CERCANOS.
2. Si aplica, quite todo material decorativo de la unidad.
3. Quite los tornillos que sujetan la bandeja del quemador a su recinto.
4. Suelte, con cuidado, el conector flexible unido al soporte del inyector (ver Fig. 11.3) y desenrosque el soporte del inyector del tubo del quemador (ver Fig. 11.4).
5. Retire el orificio del soporte (ver Fig. 11.4) y reemplacélo por uno de un tamaño adecuado a sus necesidades de gas. El gas propano requiere un orificio de 2.30 mm (tamaño de perforación). El gas natural requiere un orificio de 3.78 mm.

Nota: Si esta convirtiendo al gas natural, DEBE instalar el obturador de aire sobre el tubo quemador para cubrir los agujeros de aire (ver Fig. 11.4). En cuanto al gas propano (L.P.), retire el obturador de aire. Reponga la tapa del orificio y reconecte el conector de la válvula (ver Fig. 11.3). El regulador, ahora si, debería funcionar con el nuevo tipo de gas.

6. Para convertir el regulador de gas propano a gas natural: El aparato debe estar aislado del sistema de tuberías de suministro de gas cerrando la válvula de cierre individual manual para asegurar cualquier prueba de presión del sistema de tuberías de suministro de gas. La presión durante la prueba es igual o menor a ½ psi (3.5 kPa).
7. Aparte el tubo de propano del regulador (ver Fig. 11.5) y reemplace con una tubería de gas natural de 3/8" (ver Fig. 11.6, paquete de tubo de gas natural no incluido).
8. Restablezca el suministro de gas y verifique si hay fugas de acuerdo a la sección de INSTALACIÓN. Si no se detectan fugas, vuelva a colocar la bandeja del quemador en su lugar, en el recinto y recolocque los materiales de decoración.

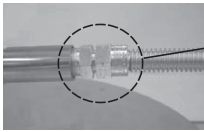


FIG. 11-3

El conector de la válvula debe ir unido al soporte del inyector en el tubo del quemador. Separe el conector del soporte del inyector cuando cambie el orificio a otro tipo de gas.



Retire la tubería de gas propano.

FIG. 11-5

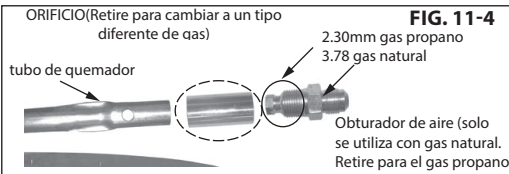
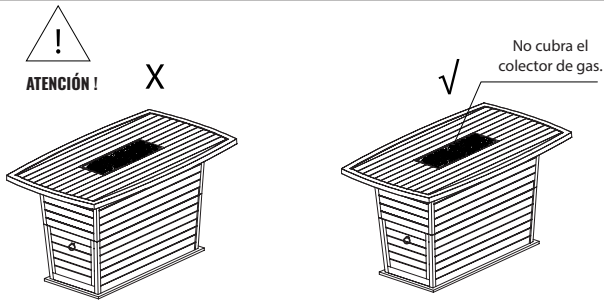


FIG. 11-4



Instal la tubería de gas propano

FIG. 11-6



1. Inspeccione cuidadosamente la caja para detectar daños ocasionados durante el transporte. Si esta faltando una pieza o la misma esta dañada, contacte a su proveedor. No intente instalar el producto a menos que todas sus partes estén en buenas condiciones.
2. La instalación correcta del producto es fundamental para el funcionamiento seguro de la mesa chimenea para exteriores.
3. Debido a las altas temperaturas, la mesa chimenea debe colocarse en sectores de escaso tráfico y lejos de combustibles.

Peso de una bolsa de Lava Rock o de cristales de vidrio: 22 libras (10 kg)

COLOCACIÓN DE LAVA GRANULE Y CRISTALES DE VIDRIO

PRECAUCIÓN—Los bordes filosos del vidrio pueden producir cortes, por tal motivo utilice guantes de seguridad durante la colocación del vidrio.

Vierta la bolsa de lava granules o de cristales de vidrio dentro de la mesa chimenea de uso externo, de modo que el quemador quede totalmente cubierto. (Ver figuras 1 y 2). Dichas instrucciones se aplican tanto en quemadores redondos como en rectangulares.

Vista superior

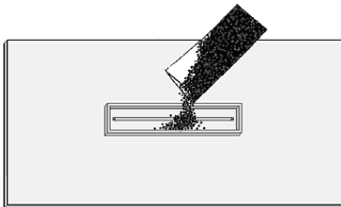


FIG. 1

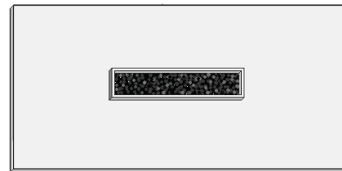


FIG. 2

PRECAUCIÓN: RIESGO DE QUEMADURAS. LOS LAVA GRANULE Y LOS CRISTALES DE VIDRIO

PERMANECERÁN CALIENTES, DURANTE UN TIEMPO CONSIDERABLE, LUEGO DE USARSE.

MANTENGA EL DISEÑO DE ORIGEN PARA ASEGURAR EL CORRECTO FUNCIONAMIENTO DE SU MESA CHIMENEA. SI NECESITA RE-POSICIONAR CUALQUIER MATERIAL, Y PARA CONSERVAR EL DISEÑO, UTILICE GANTES RESISTENTES AL CALOR O BIEN DEJE AIREAR EL MATERIAL EL TIEMPO SUFICIENTE COMO PARA ENFRIARSE ANTES DE MANIPULARLO.

OPERANDO LA UNIDAD—ENCENDER Y APAGAR

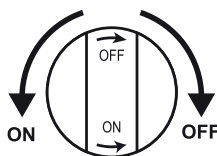
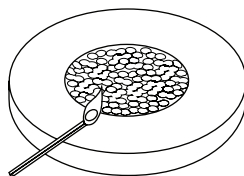
POR SU SEGURIDAD, LEA ANTES DE ENCENDER

ADVERTENCIA: SI NO SIGUE ESTAS INSTRUCCIONES, PODRÍA GENERARSE UN INCENDIO O UNA EXPLOSIÓN, CAUSANDO DAÑO A LA PROPIEDAD, A LA PERSONA, E INCLUSO, PERDIDA DE LA VIDA.

1. ANTES DE ENCENDER LA UNIDAD, huela el área de la misma en busca de gas. Asegúrese de oler el suelo ya que algunos gases son mas pesados que el aire y por ello se depositan en el suelo.
2. QUE HACER SI HUELE GAS
 - a. Cierre la entrada de gas del aparato.
 - b. Apague toda llama abierta.
 - c. Si el olor persiste, llame inmediatamente a su proveedor de gas o al departamento de Bomberos.
3. Utilice unicamente su mano para empujar o girar la perilla de control del gas. Nunca use herramientas. Si la perilla no funciona al presionar o girarse con la mano, NO intente repararla. Contacte a un técnico capacitado. El forzarla o intentar repararla podría resultar en un incendio o una explosión.

INSTRUCCIONES PARA EL ENCENDIDO MANUAL (CERILLA)

1. ¡DETÉNGASE! Lea la información de seguridad proporcionada.
2. Coloque un fósforo de palo largo encendido sobre la superficie para la zona de materiales de decoración, cerca del anillo quemador (no sostenga el fósforo en su mano) (Fig. 15.1) o utilice un encendedor de butano de cuello largo (Fig. 15.2).
3. Empuje y, de a poco, gire la perilla de control a la posición de ENCENDIDO (ver Fig. 15.3). El quemador se encenderá.
4. Observe la altura de la llama cuando se encienda. La llama debe medir entre 3-13 pulgadas (7.5-33 cm) de alto (ver Fig. 15.4).
5. Si el quemador no logra encenderse antes de que el fósforo se apague, inmediatamente gire la perilla de control a la posición APAGADO.
6. Espere aproximadamente 5 minutos hasta que el ambiente quede libre de gas y repita los pasos del 1-4 citados arriba.
7. la perilla de control en la posición OFF y contacte a su distribuidor o proveedor de gas.
8. Para extinguir su quemador de gas, coloque el control knob en la posición OFF. Asegúrese de que la perilla de control esté completamente apagada para evitar fugas de gas.



FUNCIONAMIENTO

Todo sitio de instalación, para cualquier unidad, presenta su propio y único ambiente de combustión. Ciertos factores específicos tales como el clima, el viento, los desechos propios del jardín, la altitud, las corrientes de aire y las dimensiones del área circundante, tienen una influencia en el funcionamiento de la unidad. Una unidad que funciona con normalidad presentará las siguientes características:

- Una llama amarilla realista, viva
- Libre de olor.

Si la llama no es limpia (identificable por el exceso de hollín sobre los materiales decorativos) diríjase a la sección de abajo LIMPIEZA Y MANTENIMIENTO.

BATERÍAS

- Siempre compre el tamaño correcto y el grado de batería más adecuado para el uso previsto.
- Limpie los contactos de la batería y los del dispositivo antes de instalar la batería.
- Asegúrese de que las baterías estén instaladas correctamente con respecto a la polaridad (+ y -).
- Retire las baterías del dispositivo cuando no vaya a utilizarlo durante un periodo de tiempo prolongado.
- Retire las baterías usadas inmediatamente.

LIMPIEZA Y MANTENIMIENTO

1. Siempre cierre el gas de la unidad mientras realiza el trabajo de mantenimiento.
2. Deje que la unidad se enfríe antes de realizar el mantenimiento.
3. La unidad debe inspeccionarse con regularidad. Los desechos excesivos pueden generarse por hojas, polvo y otros desechos. Es fundamental que todos los componentes del control, los quemadores y el área circundante se mantengan limpios y libre de obstrucciones.
4. Mantenga el área de la base de la unidad, y sus alrededores, limpia y libre de obstrucciones en todo momento.
5. El quemador deberá reemplazarse antes de que se ponga en funcionamiento la unidad, si se evidencia daño del mismo. Contacte a su proveedor local para reemplazar las piezas.
6. Chequee periódicamente las llamas del quemador. Las llamas deben ser azules en la base, con una mezcla de azul y amarillo en el cuerpo y en la punta. Contacte a una persona cualificada para realizar las tareas de mantenimiento.

PRECAUCIÓN: CALIENTE DURANTE Y DESPUÉS DE USAR. Los niños deben ser supervisados cuando se aproximan a la unidad. ¡Podrían ocasionarse lesiones graves! Es necesario alertar a los niños sobre los peligros de las altas temperaturas de las superficies y mantenerlos alejados para evitar quemaduras o que la ropa se encienda. Mantenga toda el área limpia y libre de obstrucciones (alrededor de la parte inferior) para que haya una ventilación adecuada.

CONTROL DE CALIDAD

Fecha: _____

Modelo: _____

Serie: _____

Inspector: _____

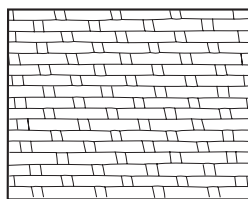
GARANTÍA DEL PRODUCTO

El fabricante de este producto ofrece una garantía total sobre defectos materiales y de funcionamiento de este aparato durante UN (1) año a partir de la fecha de la compra. reemplazara cualquier parte de los componentes que este defectuosa y no pueda llevar a cabo la tarea para la que ha sido diseñada. Por favor, guarde su ticket de compra y el correo electrónico de customerservice@rstbrands.com para efectuar cualquier reclamo sobre la garantía o atención post-venta.

Antes de montar su MESA CHIMENEA, por favor, familiarícese con los componentes y asegúrese de tener todas las piezas del listado. Si le falta alguna pieza, por favor, comuníquese con customerservice@rstbrands.com, o llame al (801)-924-2090.

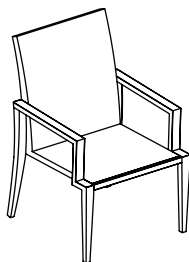
Cuidados y Mantenimiento

Todo mobiliario al aire libre está sujeto a los rayos ultravioleta y las inclemencias meteorológicas. Para que sus muebles duren y los colores se mantengan tan vibrantes como sea posible, aconsejamos cubrirlos o guardarlos cuando no estén en uso. Para obtener más información acerca de los materiales utilizados para fabricar nuestros muebles visite: www.rstbrands.com/details-landing



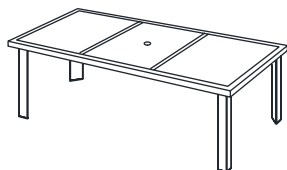
MIMBRE

Laver simplement vos meubles en osier avec un détergent léger, en les protégeant autant que peu se faire en les couvrant ou en les gardant à l'intérieur lorsqu'il ne sont pas utilisés, est suffisant.



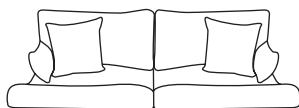
ESTRUCTURAS DE ALUMINIO

Los muebles de están construidos con estructuras recubiertas con polvo de aluminio diseñados para necesitar mantenimiento mínimo. Evite que se acumule demasiada suciedad limpiando con agua y jabón suave. Nunca deje muebles sobre el agua.



SUPERFICIES DE PIEDRA / MESA

Limpe los derrames rápidamente para evitar manchas en la superficie. La limpieza regular con agua y jabón suave con una esponja o cepillo es todo lo que se necesita. Se recomienda almacenar o cubrir la superficie de piedra natural cuando no está en uso durante períodos prolongados de tiempo.



TEJIDOS

Limpe los derrames con un paño y agua. utiliza tejidos Sunbrella® que están diseñados para proteger y durar varios años. Los tejidos Sunbrella se tratan con un repelente de agua y manchas de fórmula patentada. Si es necesario para reavivar los tejidos Glen Raven® se recomienda usar 303® Fabric Guard™. Para obtener más información, visite www.303products.com y siga las instrucciones en el envase.