

Assembly Instructions

Important Safety Reminder: Please read the content carefully before assembling the furniture!

Assemble using appropriate tools.

Follow the assembly steps for installation; do not skip any steps.

Small parts may scatter inside the package during transportation, so please check the package carefully. If any parts are found missing, contact the store or after-sales service.

Regularly check all connections (such as screws, bolts, etc.) to ensure they are all tightened.

Please keep this assembly manual properly for reference when needed in the future.

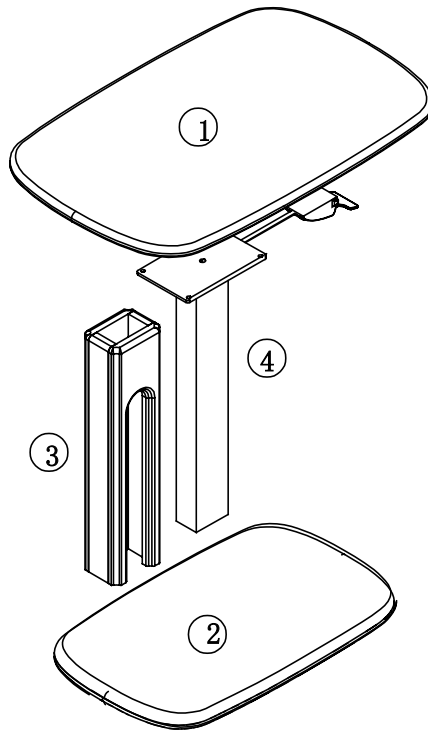
If the assembly instructions indicate that the installation requires two or more people to complete, do not install it alone, as this may pose a threat to your safety.

Note: Our company shall bear no legal liability for any losses or injuries caused by failure to assemble in strict accordance with the assembly manual or improper use of the product.

Note: There may be differences in appearance between the product you purchased and the illustrations in this assembly manual.

■ Component List

:



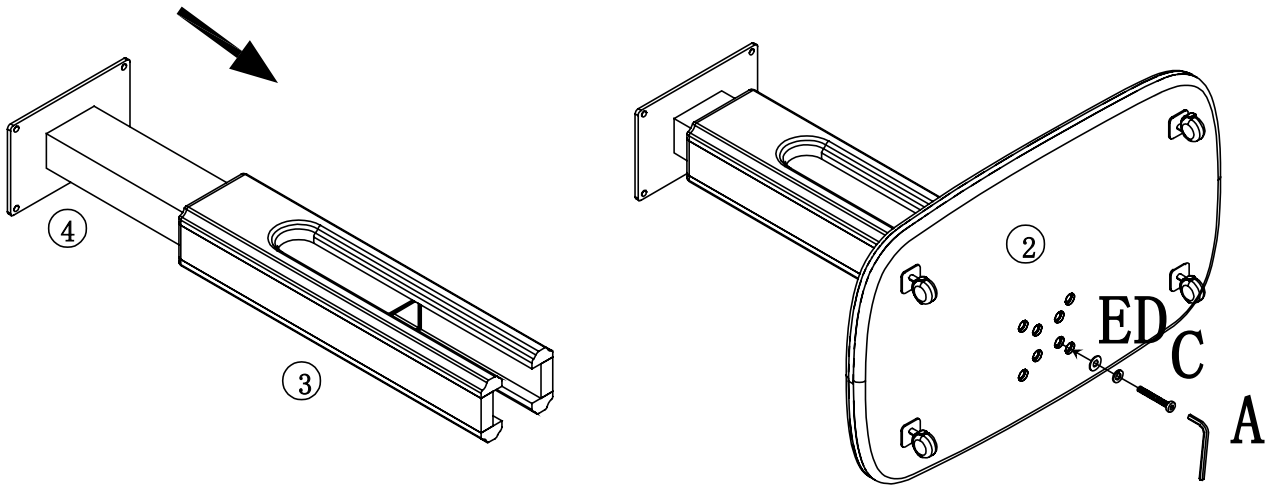
①Top Plate*1	②Base Plate*1	③Column *1	④Lifting Leg*1	
--------------	---------------	------------	----------------	--

■Hardware List:

A、Hexagon Socket Wrench4#=1	B、Hexagon Socket Bolt M6×20=4	C、Hexagon Socket Bolt M6×40=8	D、Spring Washer M6=8	E、Flat Washer M6=8	F、Hexagon Socket BoltM4*15=3

■ Installation Steps:

(1) Open the carton package and take out all components and the installation hardware kit. Refer to the detailed diagram below to place the lifting leg into the column, then connect it to the base plate with bolts.



(2) Refer to the detailed diagram below to connect the top plate and the top iron plate of the lifting leg with bolts, then fix the pneumatic switch at the corresponding position on the top plate according to the guide hole position.

