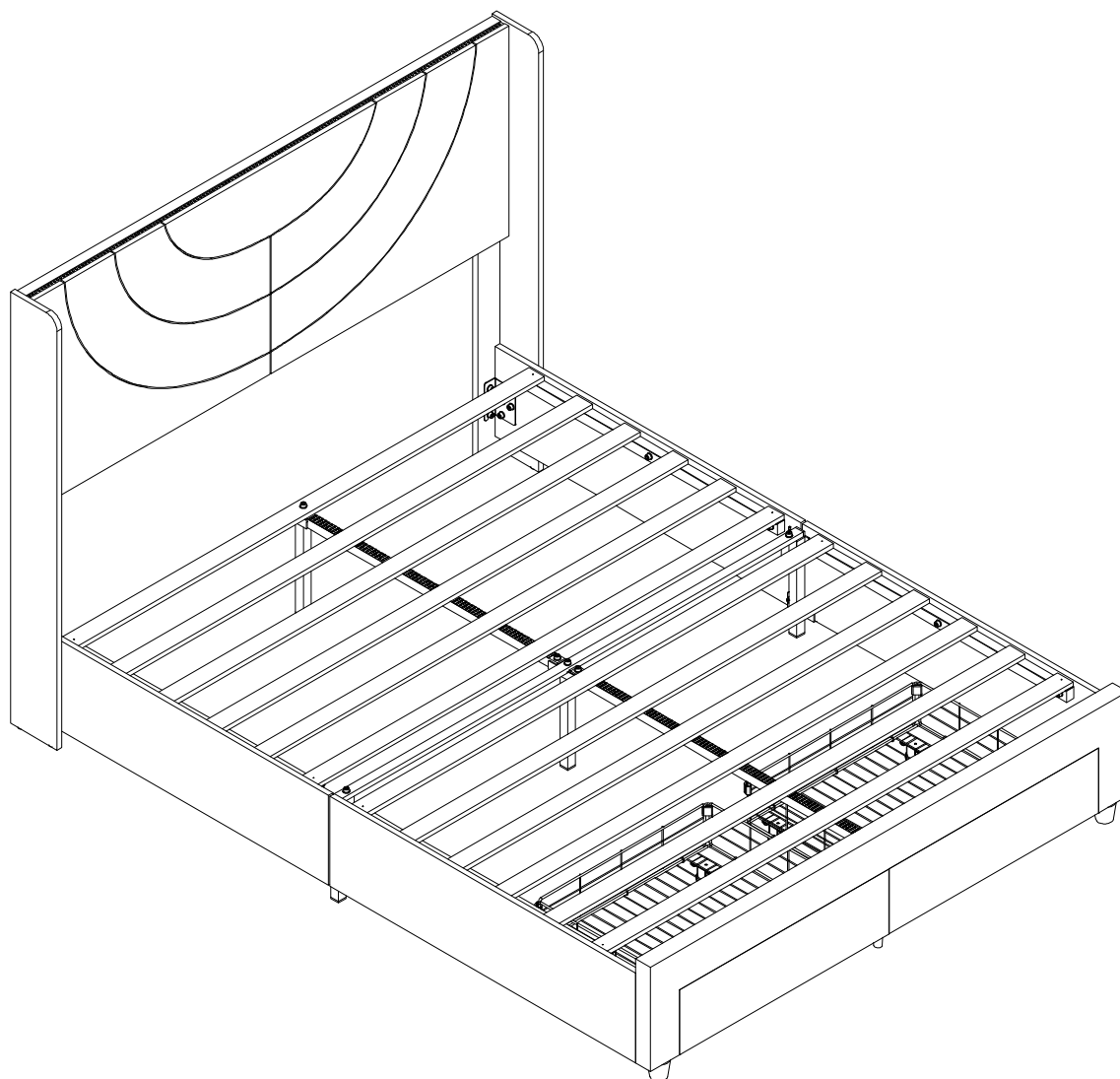


Instruction Manual



HOS-UP-145
HOS-UP-148 V1.0

**Bed Frame
(Queen Size)**

EN

Thank you for purchase on our products. Please contact us if you have difficulty with assembly or need replacement parts. Our customer service is here to assist you. Please attach your User Name or Order ID so that we can assist you better.

WARNING

Serious or fatal injury may occur from unexpected assembly or use.

1. During the assembly process, keep all parts away from babies or children.
2. Use of tip-over restraints may only reduce, but not eliminate the risk of tip-over.
3. Unless specially designed to accommodate, do not set heavy objects on top of this product.
4. Place the heaviest items on the lowest shelf.
5. Never allow children to climb or bang on drawers, doors or shelves.

DE

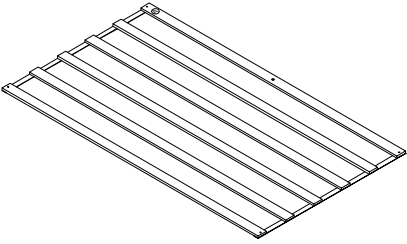
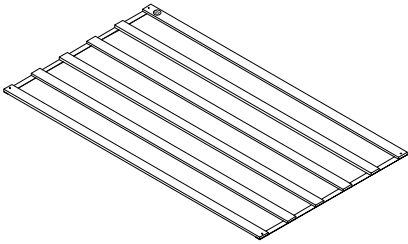
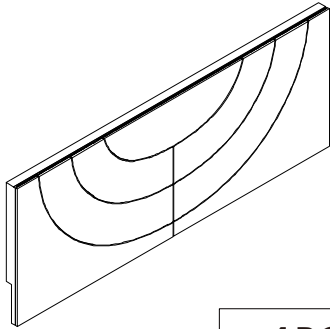

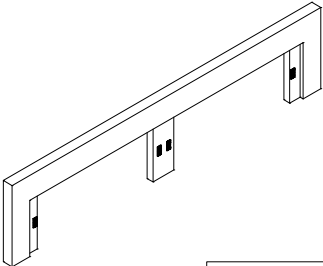
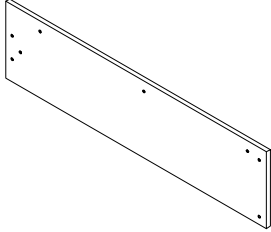
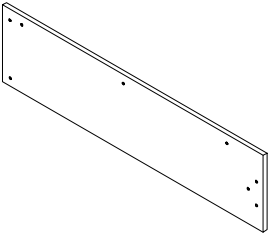
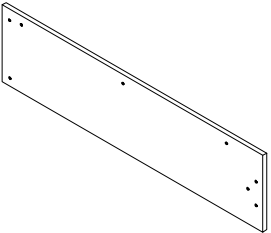
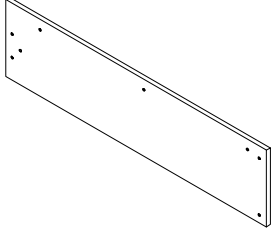
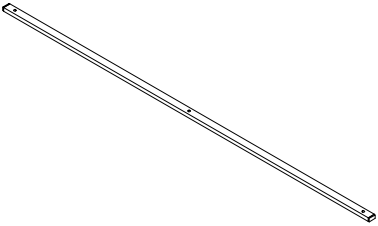
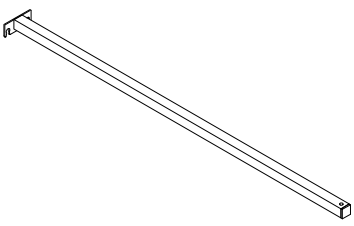
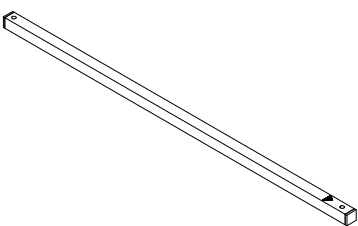
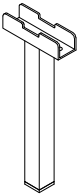
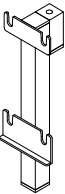
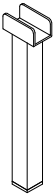
Vielen Dank für Ihren Kauf von uns Produkten. Bitte kontaktieren Sie uns, wenn Sie Probleme mit Montage haben oder Ersatzteile benötigen. Wir Kundenservice ist für Sie da. Bitte geben Sie Ihren Benutzernamen oder Ihre Bestellnummer an, damit wir Sie besser unterstützen können.

WARNUNG

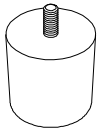
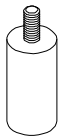
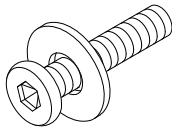

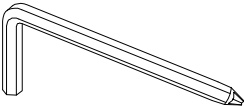
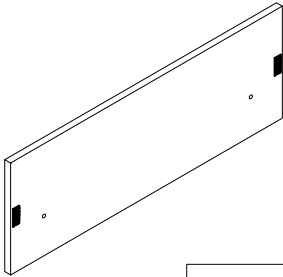
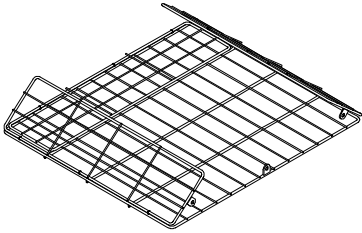

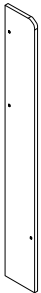
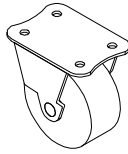
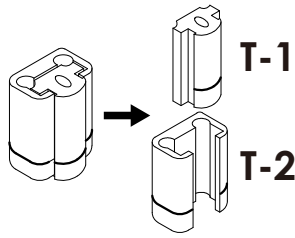

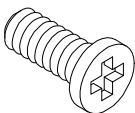
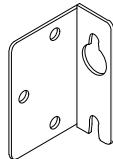
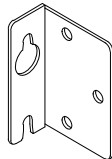
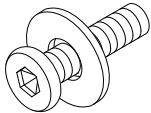
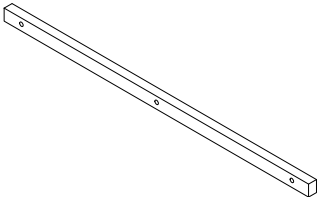
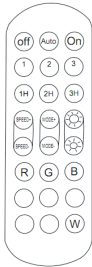

Bei unerwarteter Montage oder Verwendung können schwere oder tödliche Verletzung auftreten.

1. Legen Sie in den Montageprozess alle Teile weg von Babys oder Kindern.
2. Die Verwendung von Kippsicherungen kann die Gefahr eines Kippens nur verringern, jedoch nicht beseitigen.
3. Setzen Sie bitte keine schweren Gegenstände auf dieses Produkt, es sei denn, dass das Produkt speziell für die Unterbringung konzipiert wird.
4. Legen Sie bitte die schwersten Gegenstände auf das unterste Regal.
5. Erlauben Sie nie Kindern, auf Schubladen, Türen oder Regale zu klettern oder zu knallen.

Parts List(EN) / Teile Liste(DE)

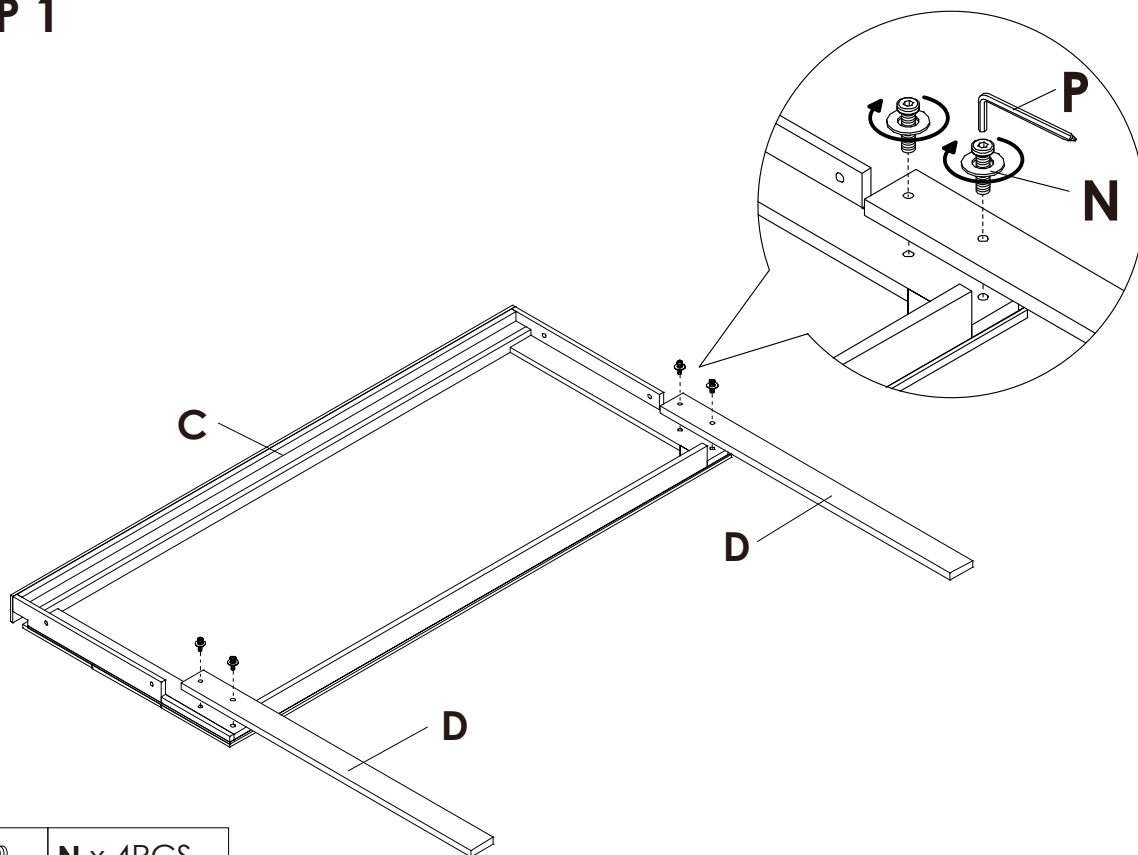
<p>A Front Slat</p>  <div style="text-align: right; border: 1px solid black; padding: 2px; width: fit-content; margin: 0 auto;">1PC</div>	<p>B Back Slat</p>  <div style="text-align: right; border: 1px solid black; padding: 2px; width: fit-content; margin: 0 auto;">1PC</div>	<p>C Headboard</p>  <div style="text-align: right; border: 1px solid black; padding: 2px; width: fit-content; margin: 0 auto;">1PC</div>
<p>D Headboard side leg</p>  <div style="text-align: right; border: 1px solid black; padding: 2px; width: fit-content; margin: 0 auto;">2PCS</div>	<p>E Footboard</p>  <div style="text-align: right; border: 1px solid black; padding: 2px; width: fit-content; margin: 0 auto;">1PC</div>	<p>F1 The left front of siderails</p>  <div style="text-align: right; border: 1px solid black; padding: 2px; width: fit-content; margin: 0 auto;">1PC</div>
<p>F2 The Right front of siderails</p>  <div style="text-align: right; border: 1px solid black; padding: 2px; width: fit-content; margin: 0 auto;">1PC</div>	<p>F3 The Left back of siderails</p>  <div style="text-align: right; border: 1px solid black; padding: 2px; width: fit-content; margin: 0 auto;">1PC</div>	<p>F4 The Right back of siderails</p>  <div style="text-align: right; border: 1px solid black; padding: 2px; width: fit-content; margin: 0 auto;">1PC</div>
<p>G The brace</p>  <div style="text-align: right; border: 1px solid black; padding: 2px; width: fit-content; margin: 0 auto;">1PC</div>	<p>H Back Middle cross beam</p>  <div style="text-align: right; border: 1px solid black; padding: 2px; width: fit-content; margin: 0 auto;">1PC</div>	<p>I Front Middle cross beam</p>  <div style="text-align: right; border: 1px solid black; padding: 2px; width: fit-content; margin: 0 auto;">1PC</div>
<p>J Middle leg</p>  <div style="text-align: right; border: 1px solid black; padding: 2px; width: fit-content; margin: 0 auto;">1PC</div>	<p>K Edge of the foot</p>  <div style="text-align: right; border: 1px solid black; padding: 2px; width: fit-content; margin: 0 auto;">2PCS</div>	<p>L Front Leg</p>  <div style="text-align: right; border: 1px solid black; padding: 2px; width: fit-content; margin: 0 auto;">1PC</div>



Parts List(EN) / Teile Liste(DE)

<p>M Bed leg</p>  <p style="text-align: center; border: 1px solid black; padding: 2px;">2PCS</p>	<p>M1 Bed leg</p>  <p style="text-align: center; border: 1px solid black; padding: 2px;">1PC</p>	<p>N Innerscrew</p>  <p style="text-align: center;">M8×45mm</p> <p style="text-align: center; border: 1px solid black; padding: 2px;">16+1PCS</p>	<p>O Screw</p>  <p style="text-align: center;">M3.5×30mm</p> <p style="text-align: center; border: 1px solid black; padding: 2px;">8+1PCS</p>
<p>P Inner allen wrench</p>  <p style="text-align: center; border: 1px solid black; padding: 2px;">1PC</p>	<p>Q Drawer panel</p>  <p style="text-align: center; border: 1px solid black; padding: 2px;">2PCS</p>		<p>R Drawer</p>  <p style="text-align: center; border: 1px solid black; padding: 2px;">2PCS</p>
<p>R1</p>  <p style="text-align: center; border: 1px solid black; padding: 2px;">1PC</p>	<p>R2</p>  <p style="text-align: center; border: 1px solid black; padding: 2px;">1PC</p>	<p>S Drawer wheel</p>  <p style="text-align: center; border: 1px solid black; padding: 2px;">8PCS</p>	<p>T Drawer connector</p>  <p style="text-align: center; border: 1px solid black; padding: 2px;">4PCS</p>
<p>U Screw</p>  <p style="text-align: center;">M6×6mm</p> <p style="text-align: center; border: 1px solid black; padding: 2px;">8+1PCS</p>	<p>V Screw</p>  <p style="text-align: center;">M6×15mm</p> <p style="text-align: center; border: 1px solid black; padding: 2px;">6PCS</p>	<p>W Left Bracket</p>  <p style="text-align: center; border: 1px solid black; padding: 2px;">2PCS</p>	<p>X Right Bracket</p>  <p style="text-align: center; border: 1px solid black; padding: 2px;">2PCS</p>
<p>Y Innerscrew</p>  <p style="text-align: center;">M8×40mm</p> <p style="text-align: center; border: 1px solid black; padding: 2px;">12PCS</p>	<p>Z Support Wood</p>  <p style="text-align: center; border: 1px solid black; padding: 2px;">4PCS</p>	<p>W1 Controller</p>  <p style="text-align: center; border: 1px solid black; padding: 2px;">1PC</p>	<p>X1 Receiver</p>  <p style="text-align: center; border: 1px solid black; padding: 2px;">1PC</p>

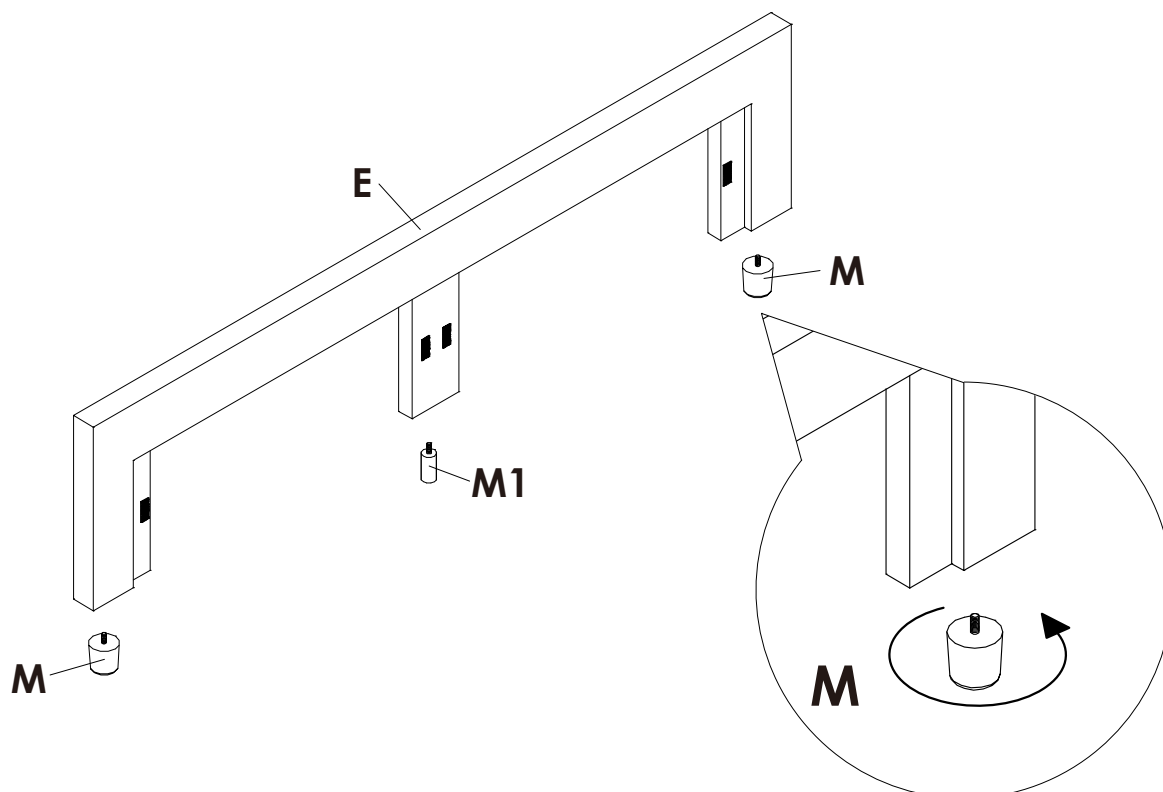
Assembly Steps(EN) / Montageschritte(DE)

STEP 1



	N x 4PCS
	P x 1PC

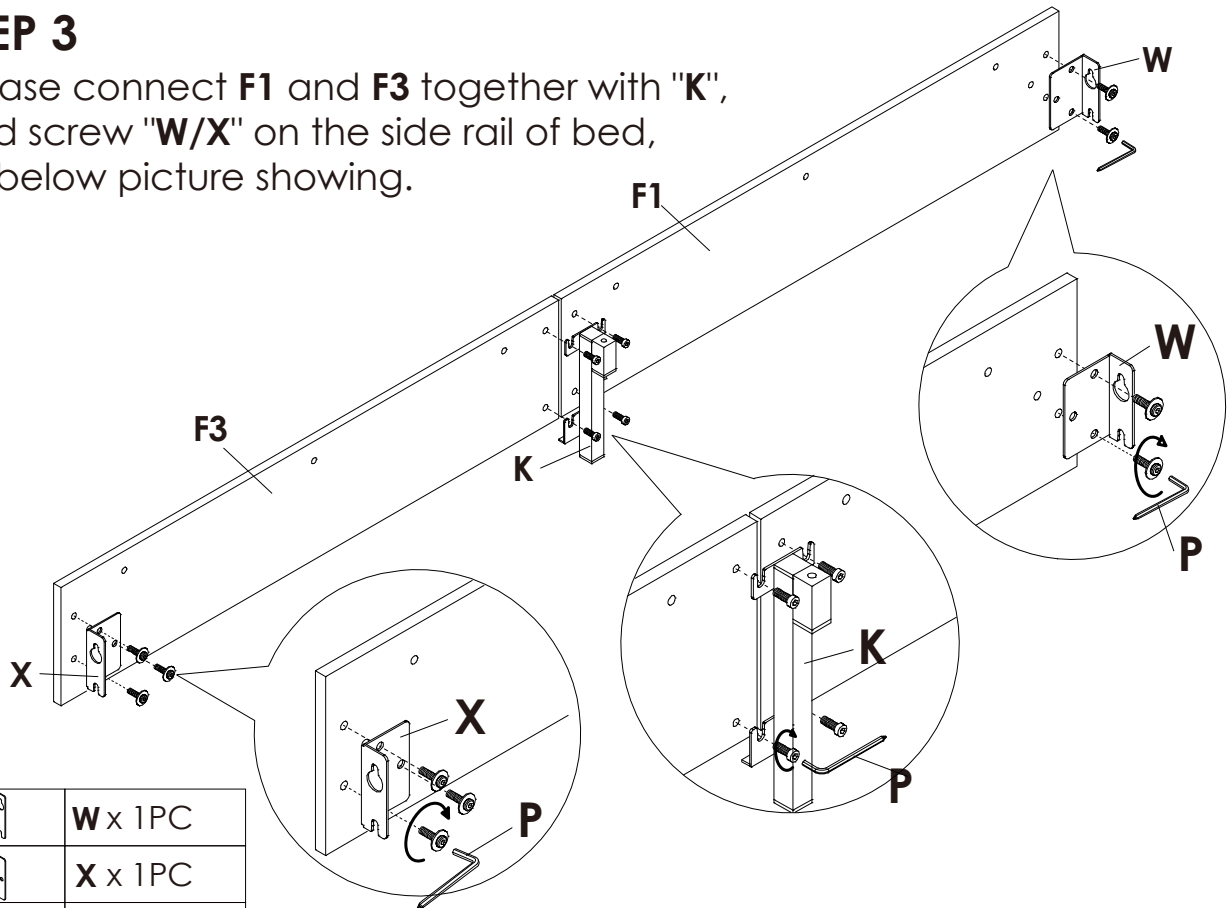
STEP 2



Assembly Instruction of (Bed)

STEP 3

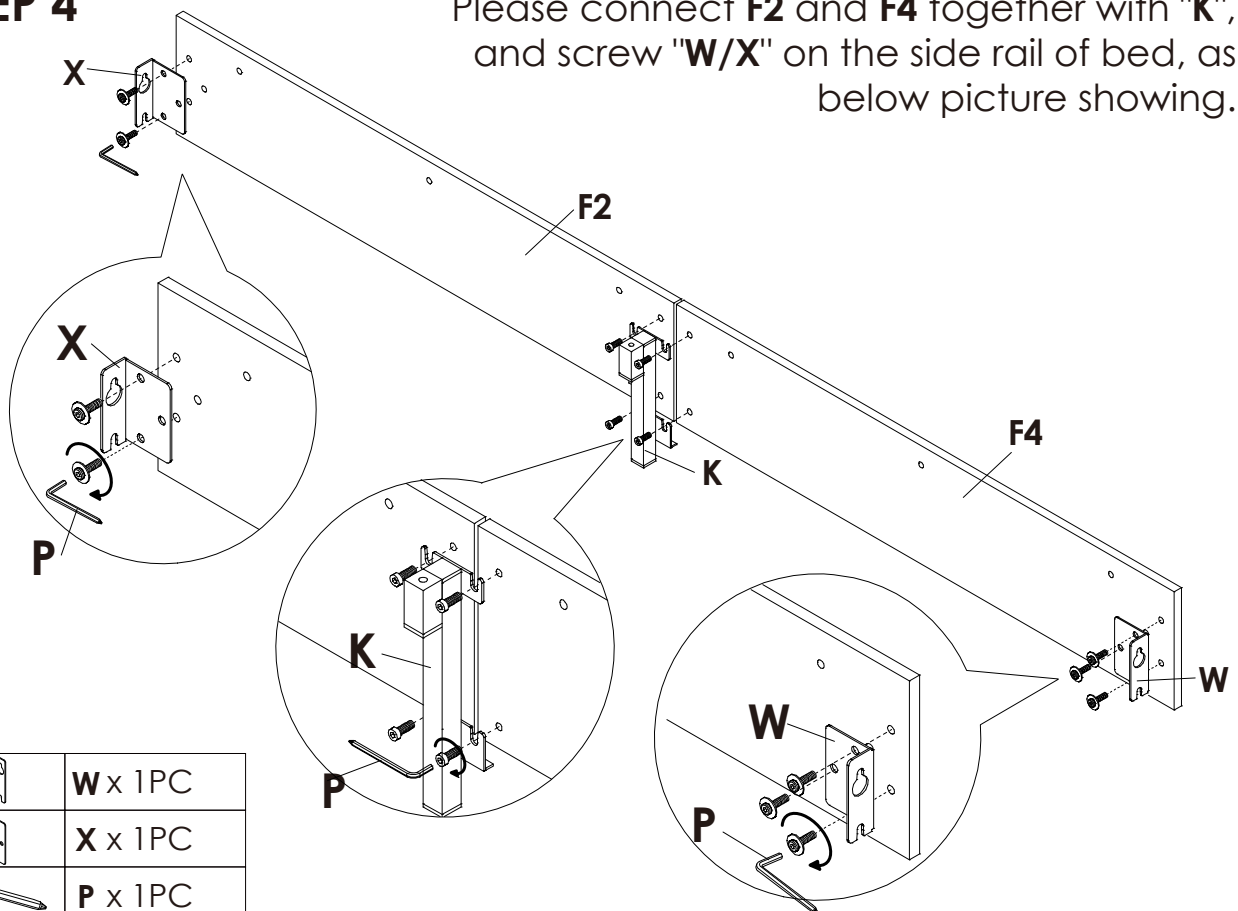
Please connect **F1** and **F3** together with "**K**", and screw "**W/X**" on the side rail of bed, as below picture showing.



	W x 1PC
	X x 1PC
	P x 1PC

STEP 4

Please connect **F2** and **F4** together with "**K**", and screw "**W/X**" on the side rail of bed, as below picture showing.

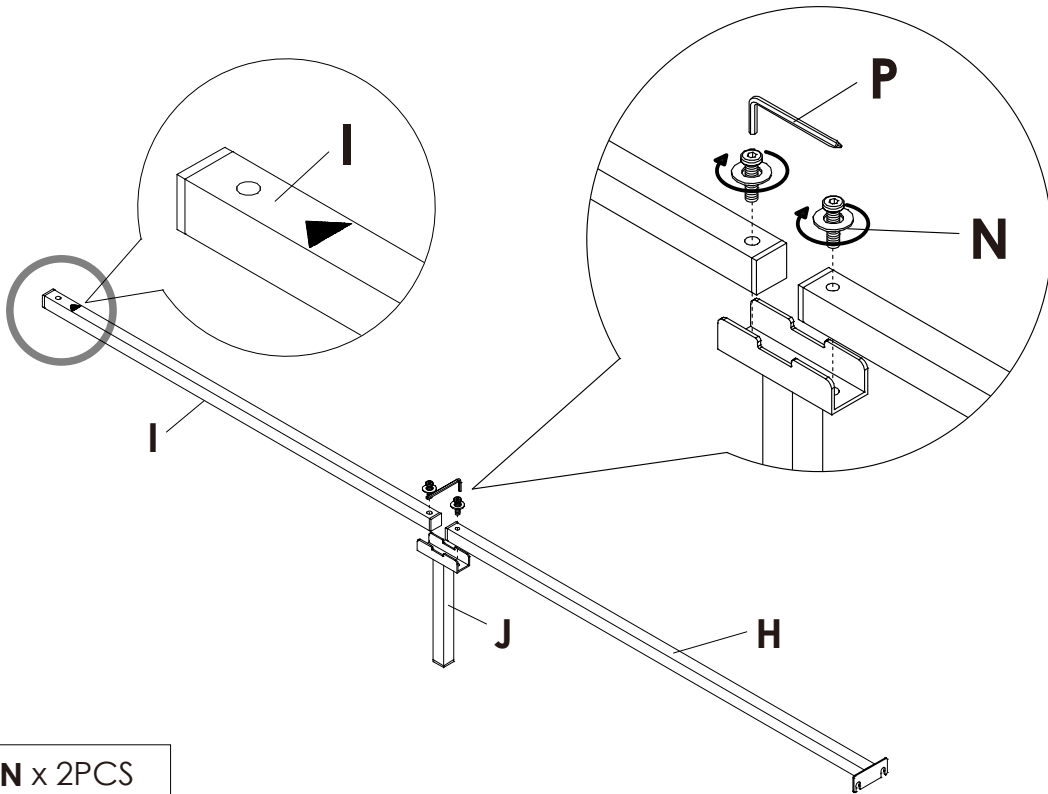




	W x 1PC
	X x 1PC
	P x 1PC

Assembly Instruction of (Bed)

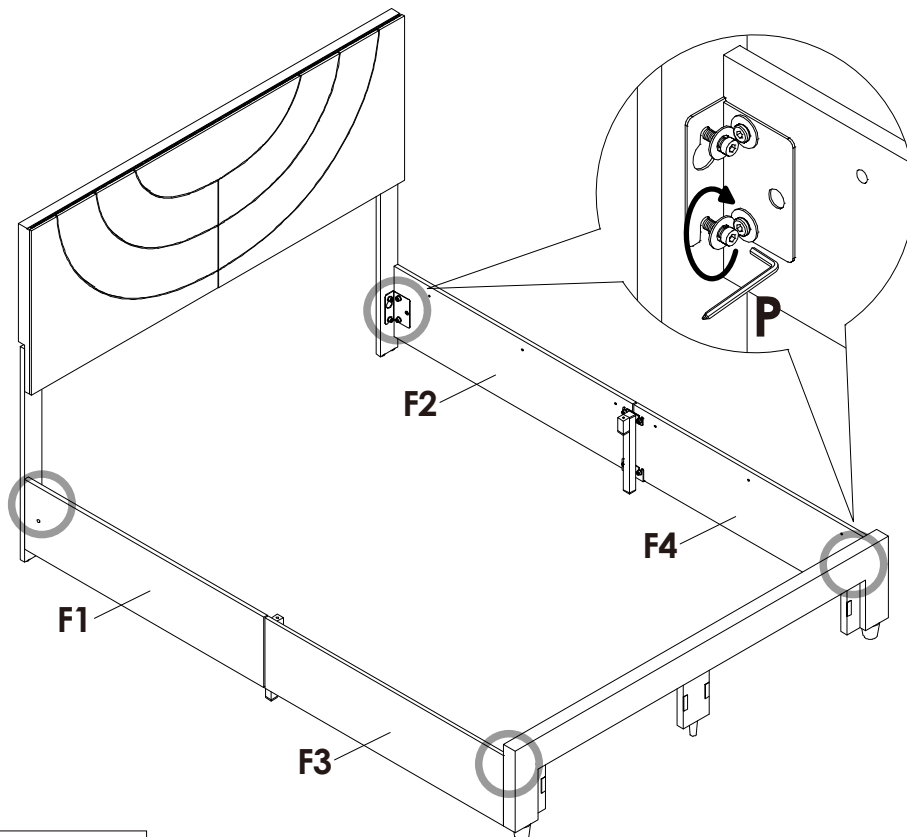
STEP 5

Noted that the middle cross beam, the direction of the red arrow is the front



	N x 2PCS
	P x 1PC

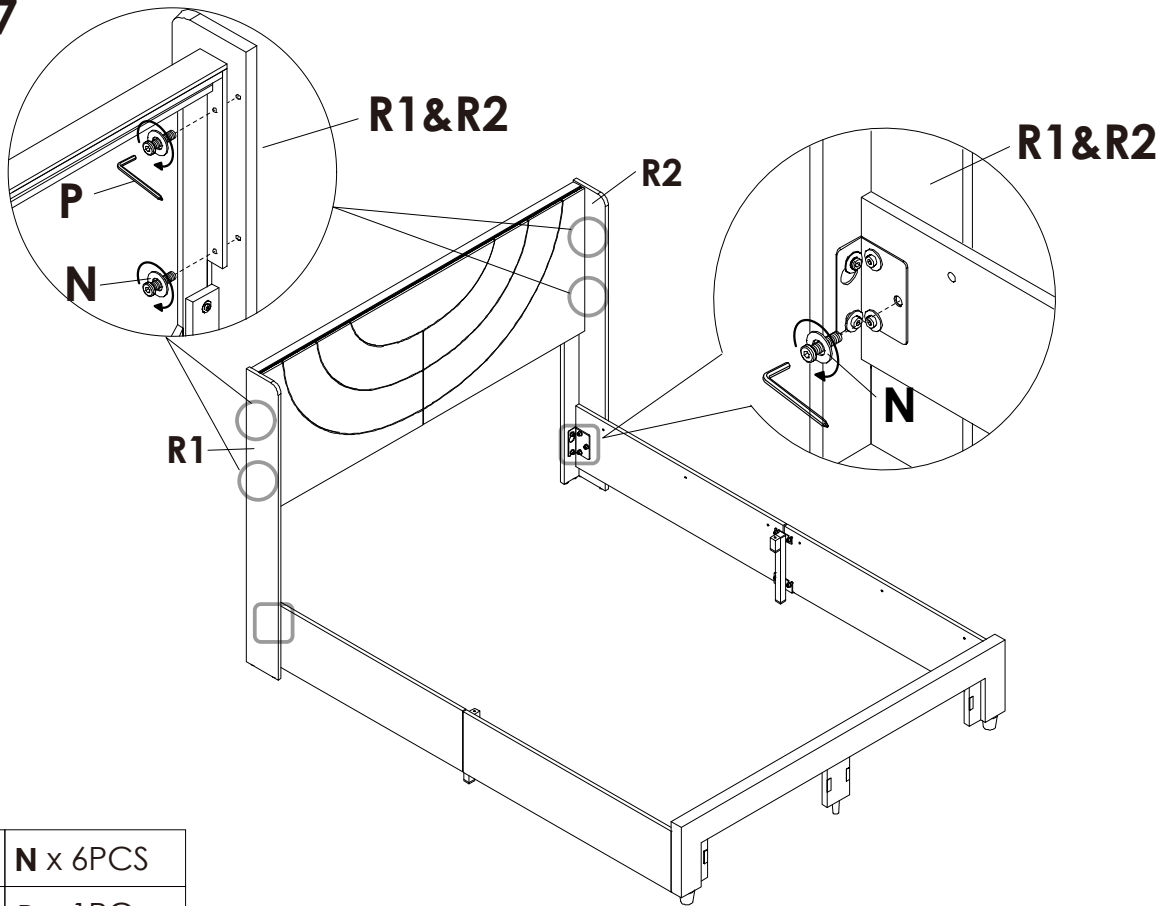
STEP 6





	P x 1PC
---	----------------

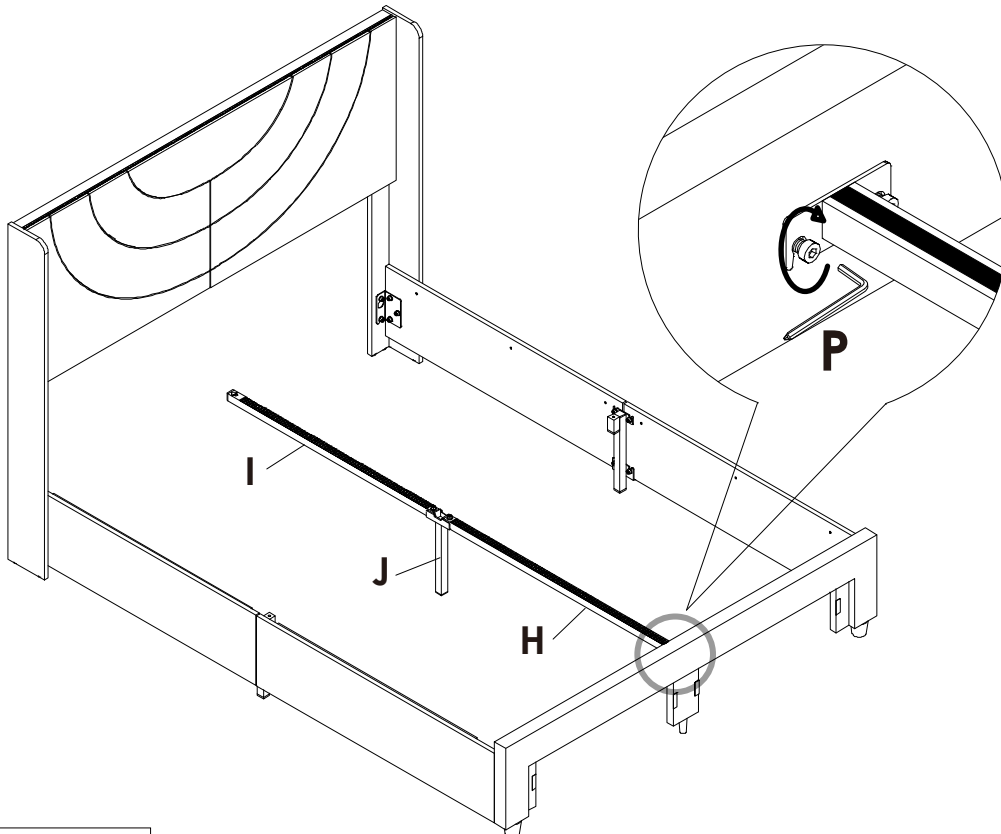
Assembly Instruction of (Bed)

STEP 7



	N x 6PCS
	P x 1PC

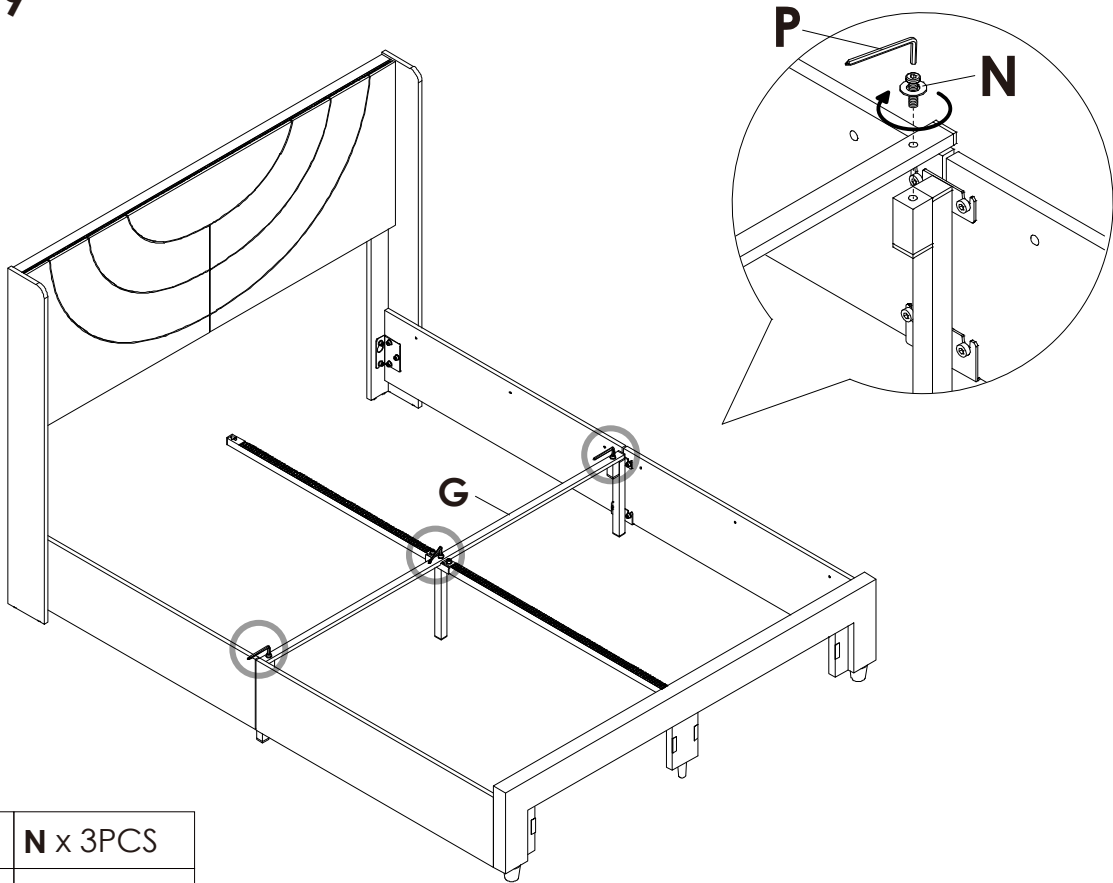
STEP 8





	P x 1PC
---	---------

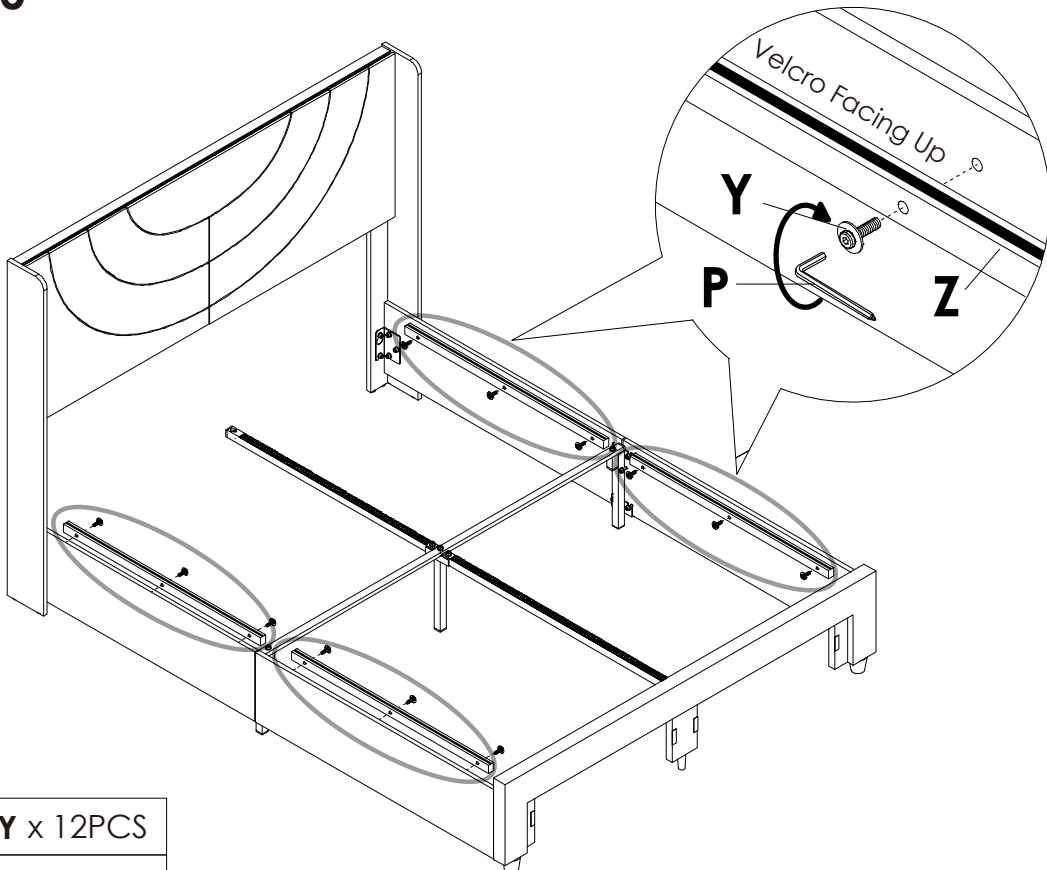
Assembly Instruction of (Bed)



STEP 9



	N x 3PCS
	P x 1PC

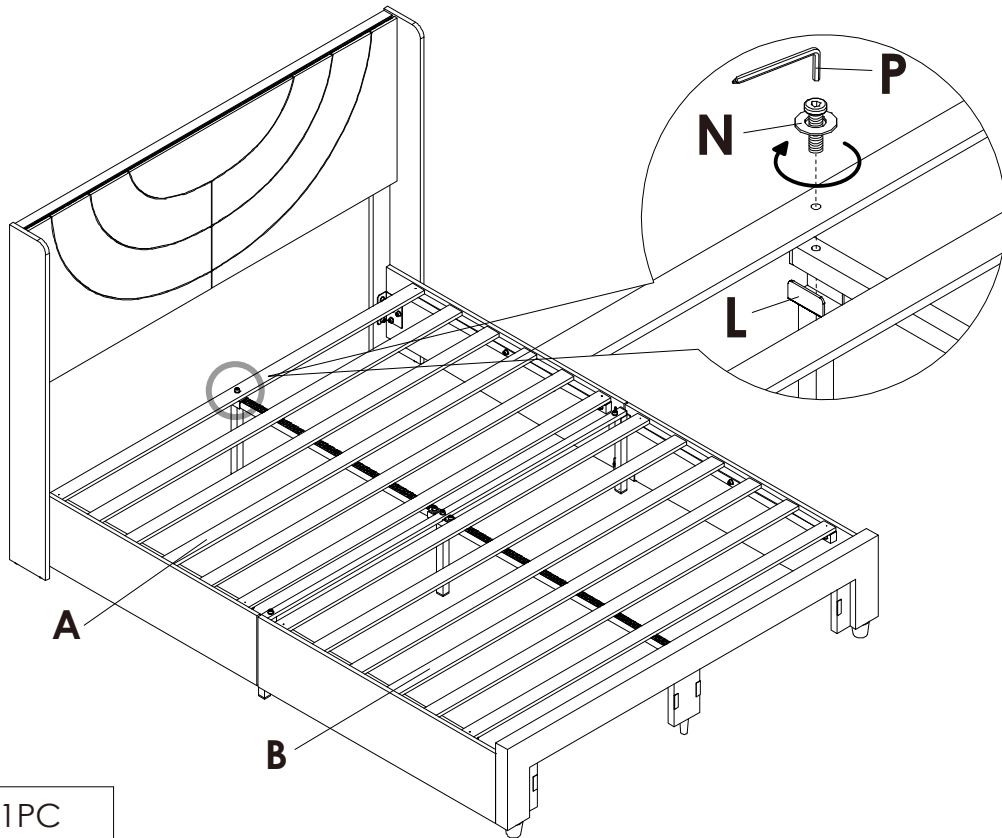
STEP 10





	Y x 12PCS
	P x 1PC

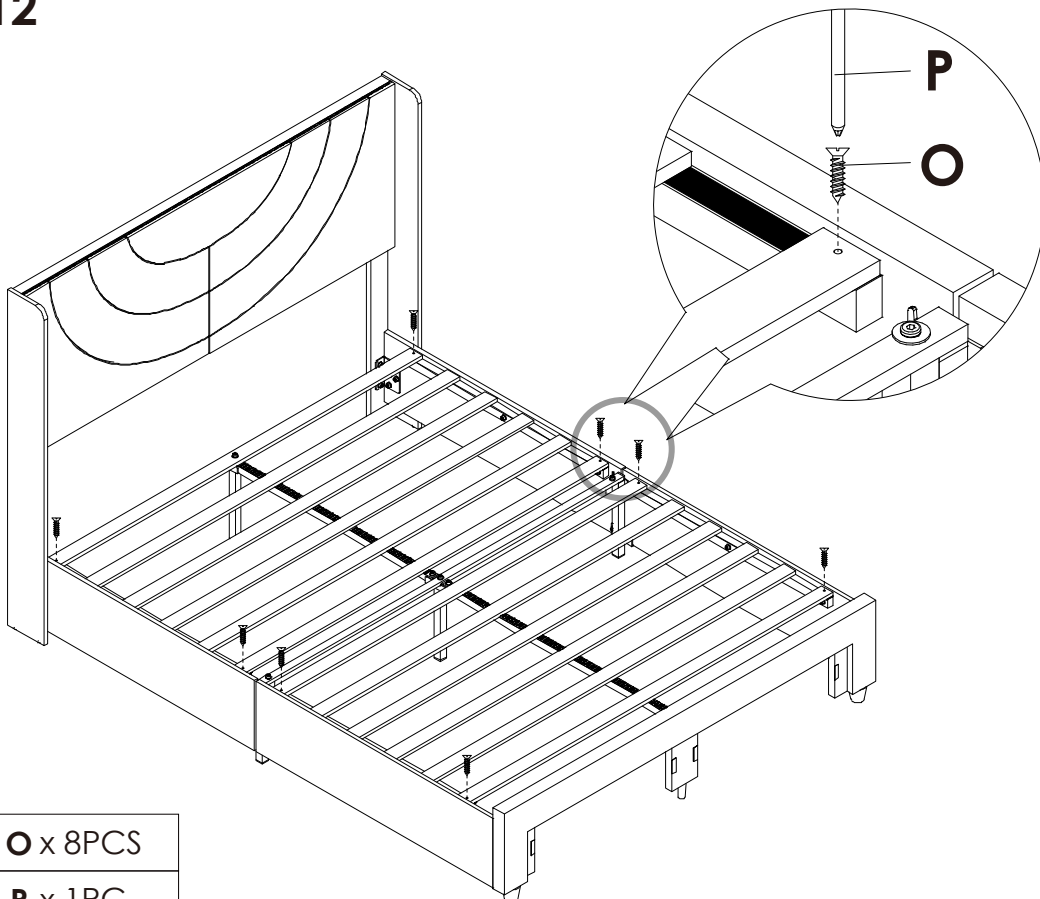
Assembly Instruction of (Bed)

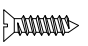

STEP 11



	N x 1PC
	P x 1PC

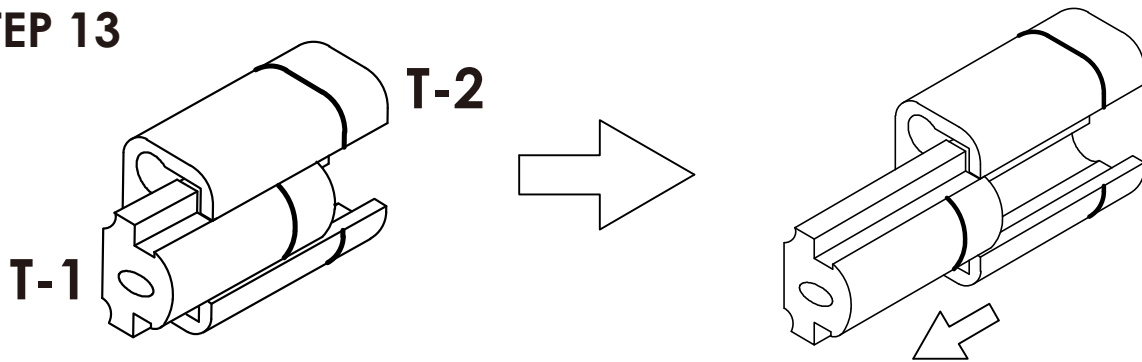
STEP 12



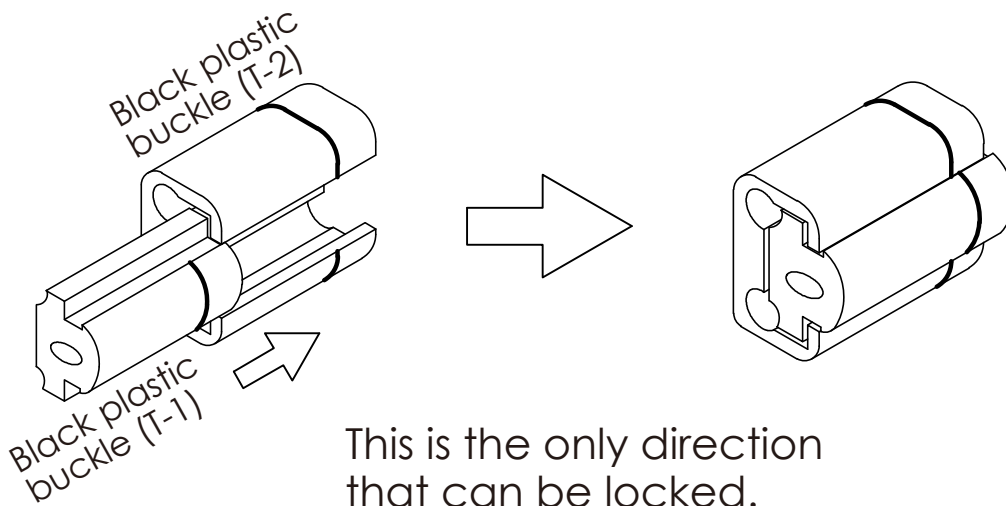
	O x 8PCS
	P x 1PC

Assembly Instruction of (Drawer)

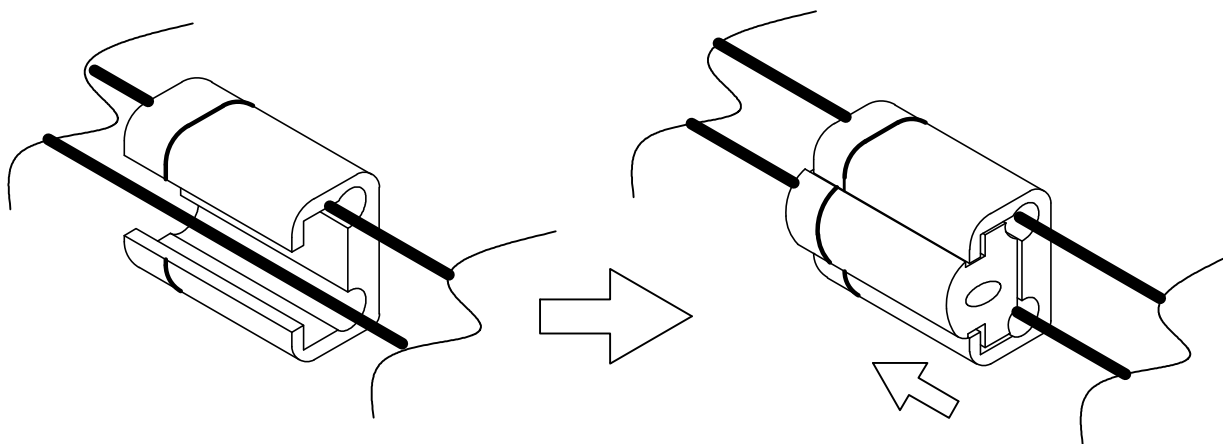
STEP 13



You can pull the buckle out by following the direction indicated by the arrow



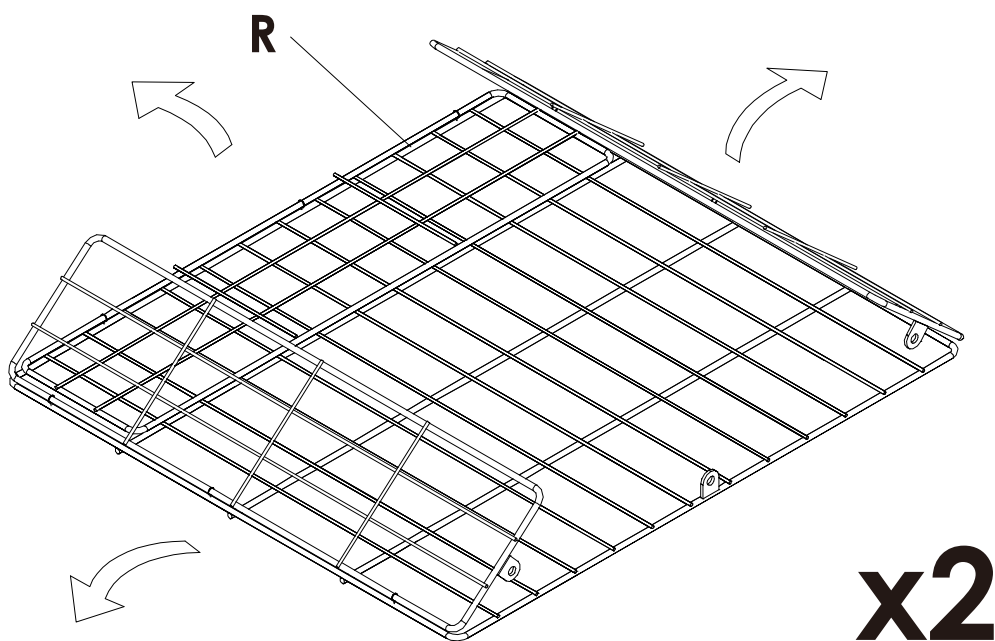
STEP 14



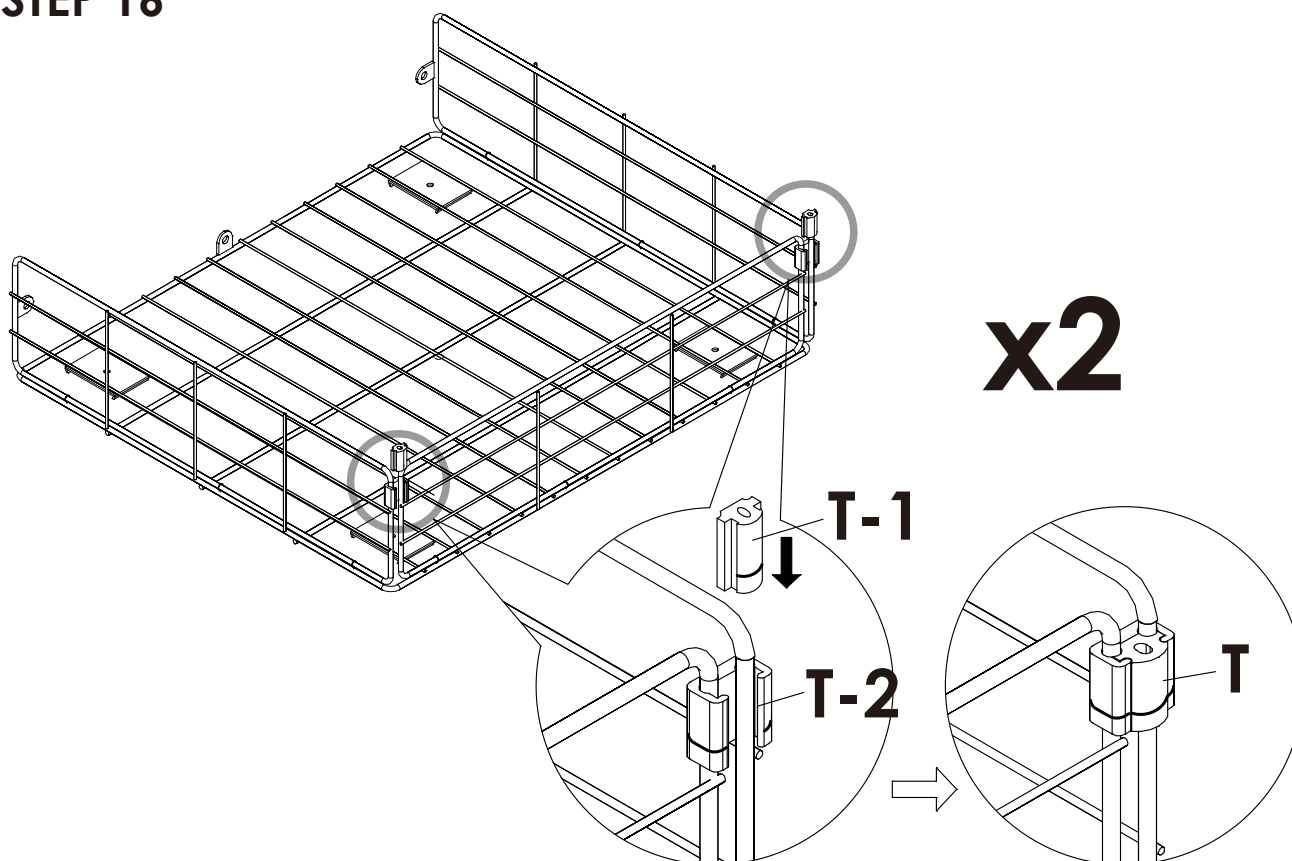
Place the round iron tubes as shown for better assembly of the drawers.

Assembly Steps(EN) / Montageschritte(DE)

STEP 15



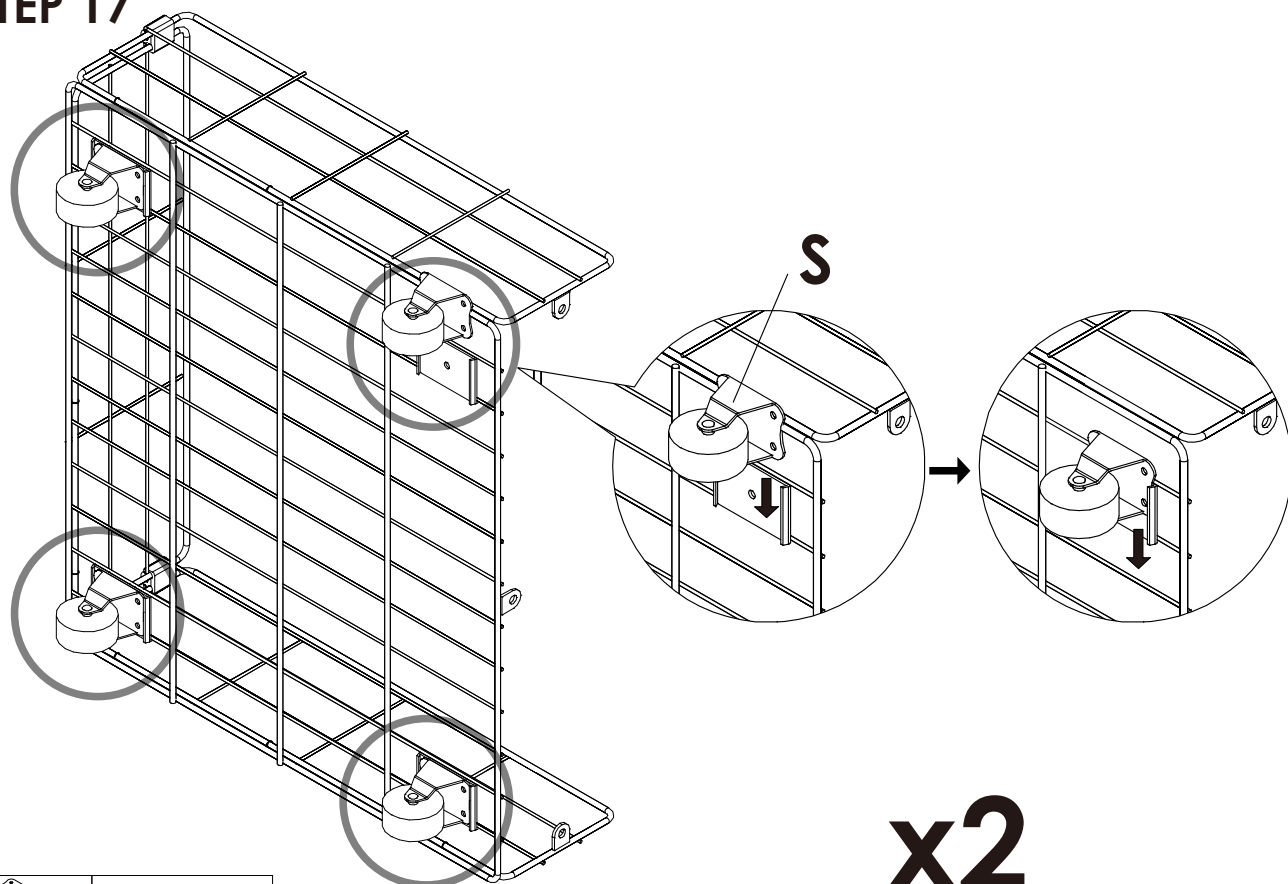
STEP 16



T x 4PCS

Assembly Steps(EN) / Montageschritte(DE)

STEP 17

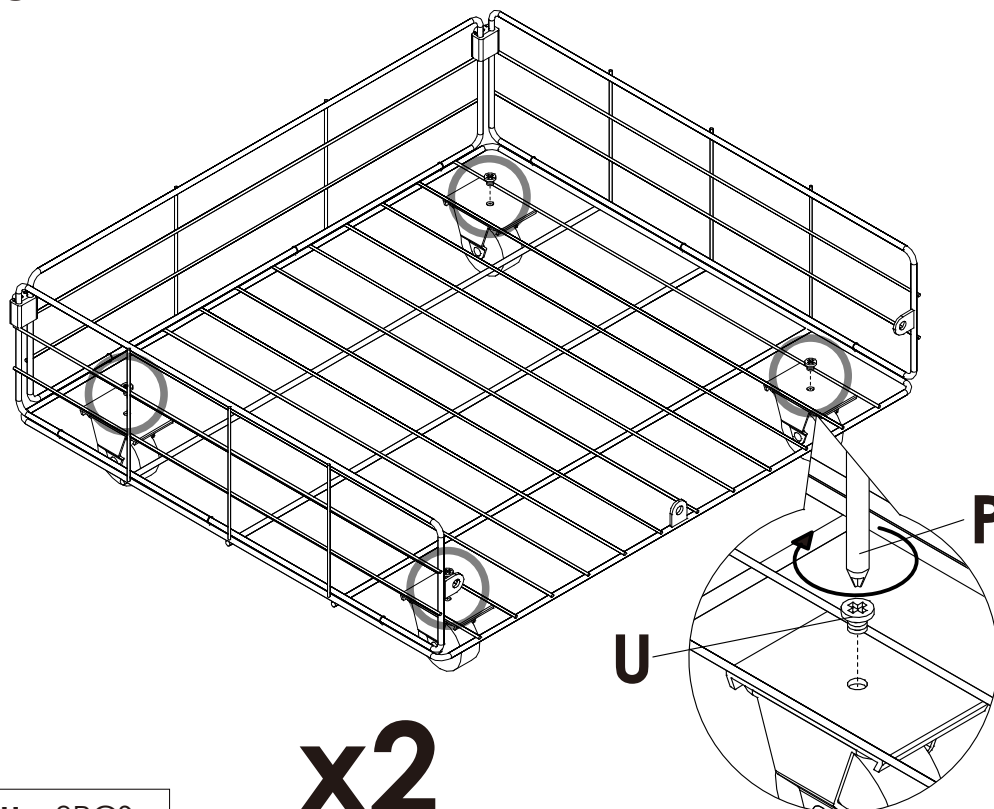


x2



S x 8PCS

STEP 18



x2



U x 8PCS

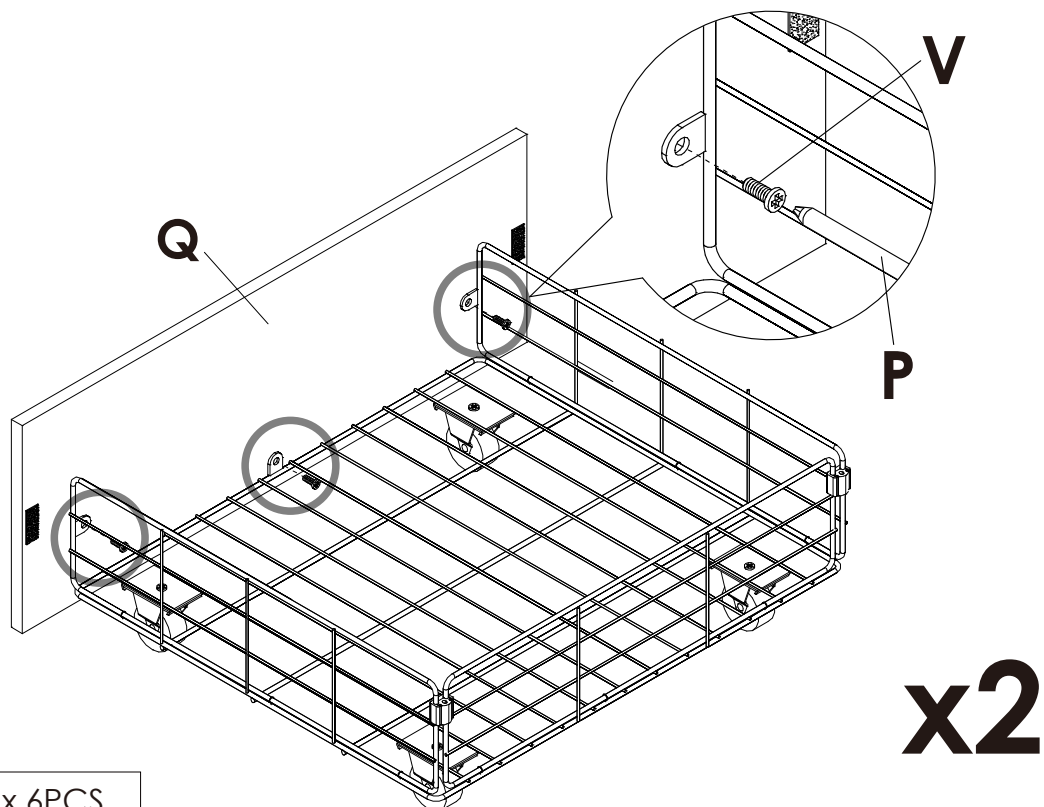


P x 1PC

NOTE: The wheels do not require screw holes.

Assembly Steps(EN) / Montageschritte(DE)

STEP 19

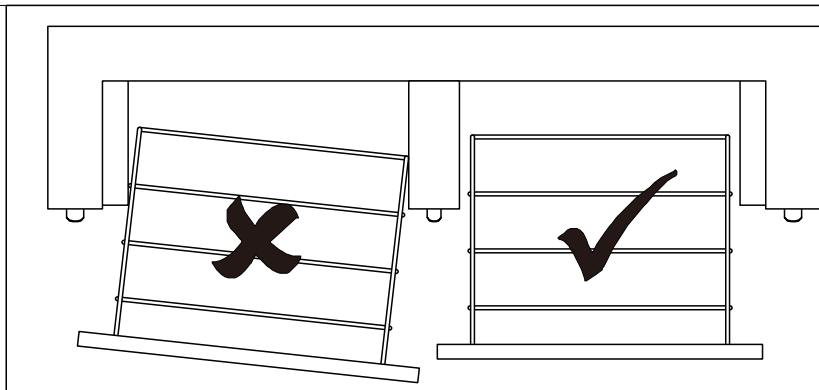
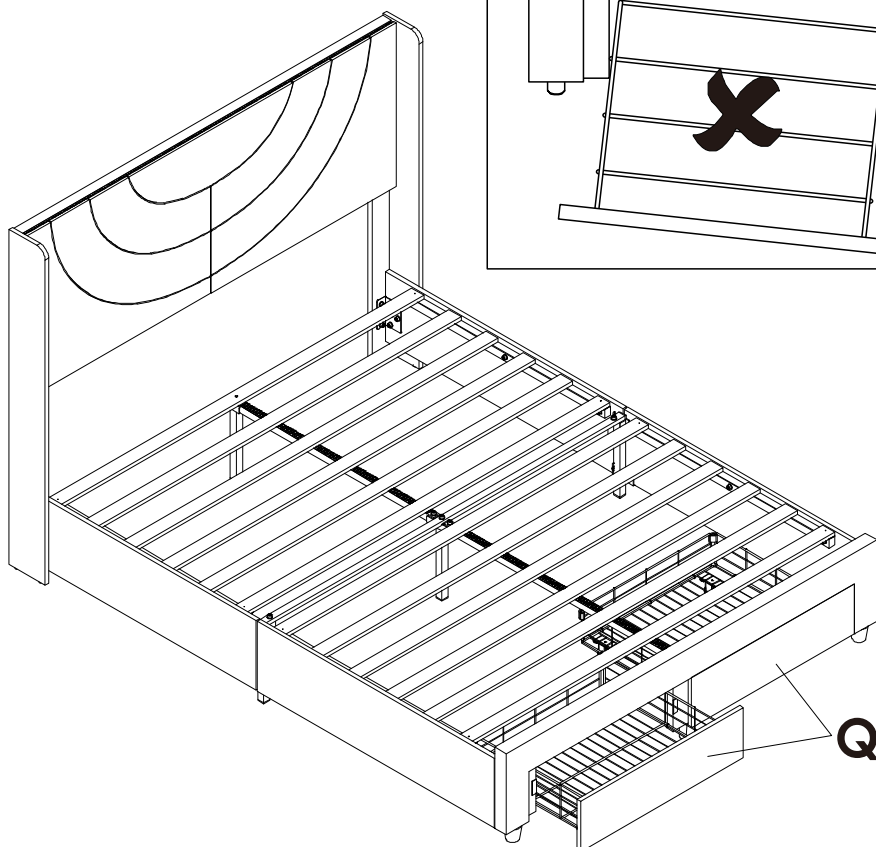


V x 6PCS



P x 1PC

STEP 20



Thanks Gracias!