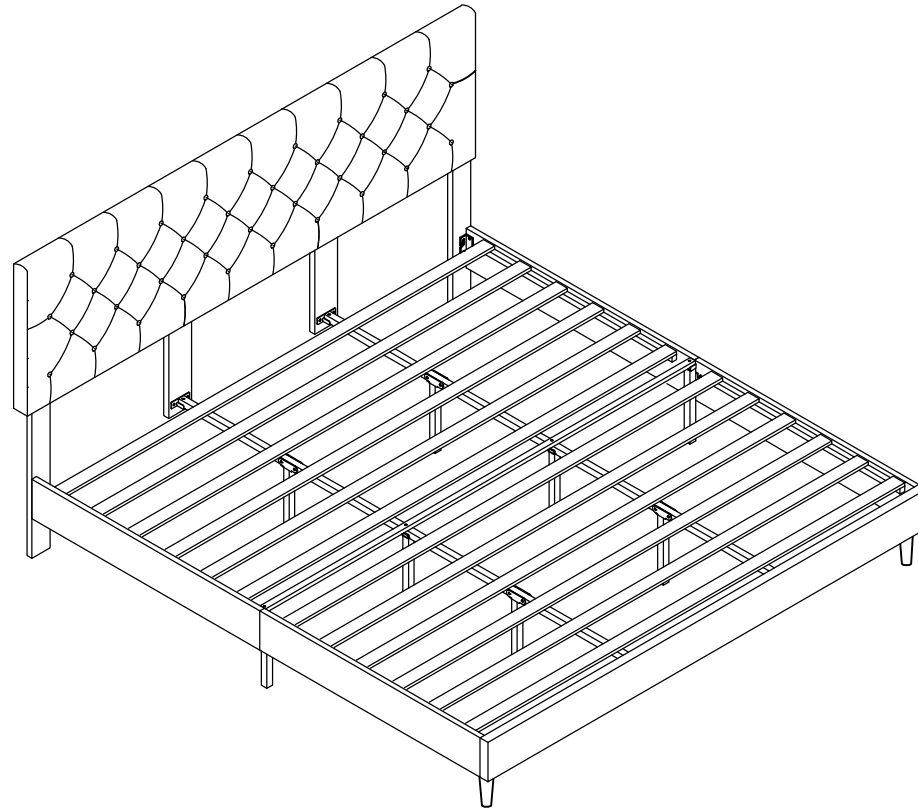
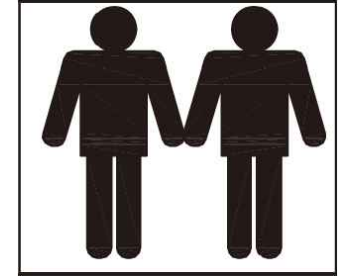
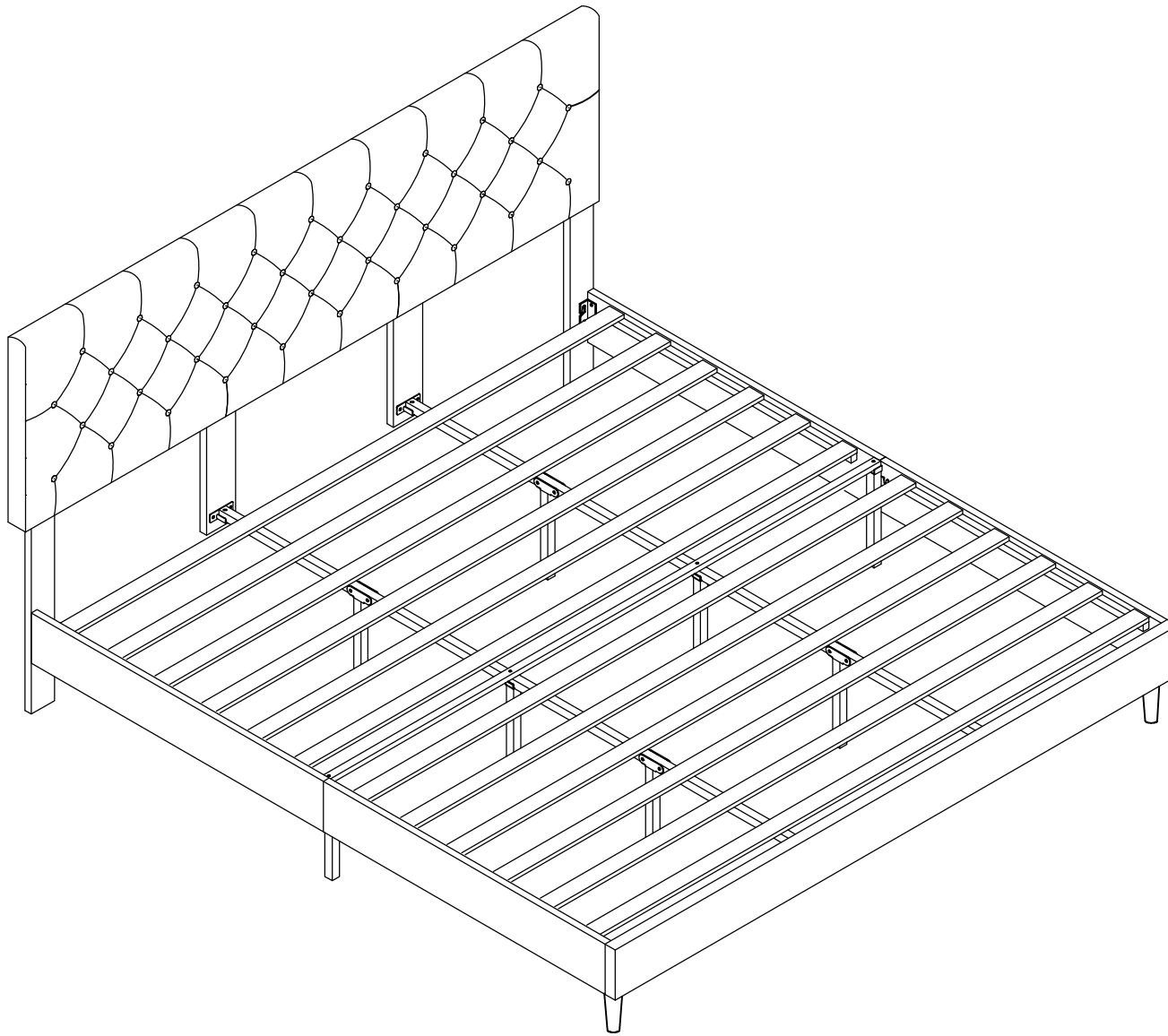


User's Manual Bed Frame



Assembly Instruction

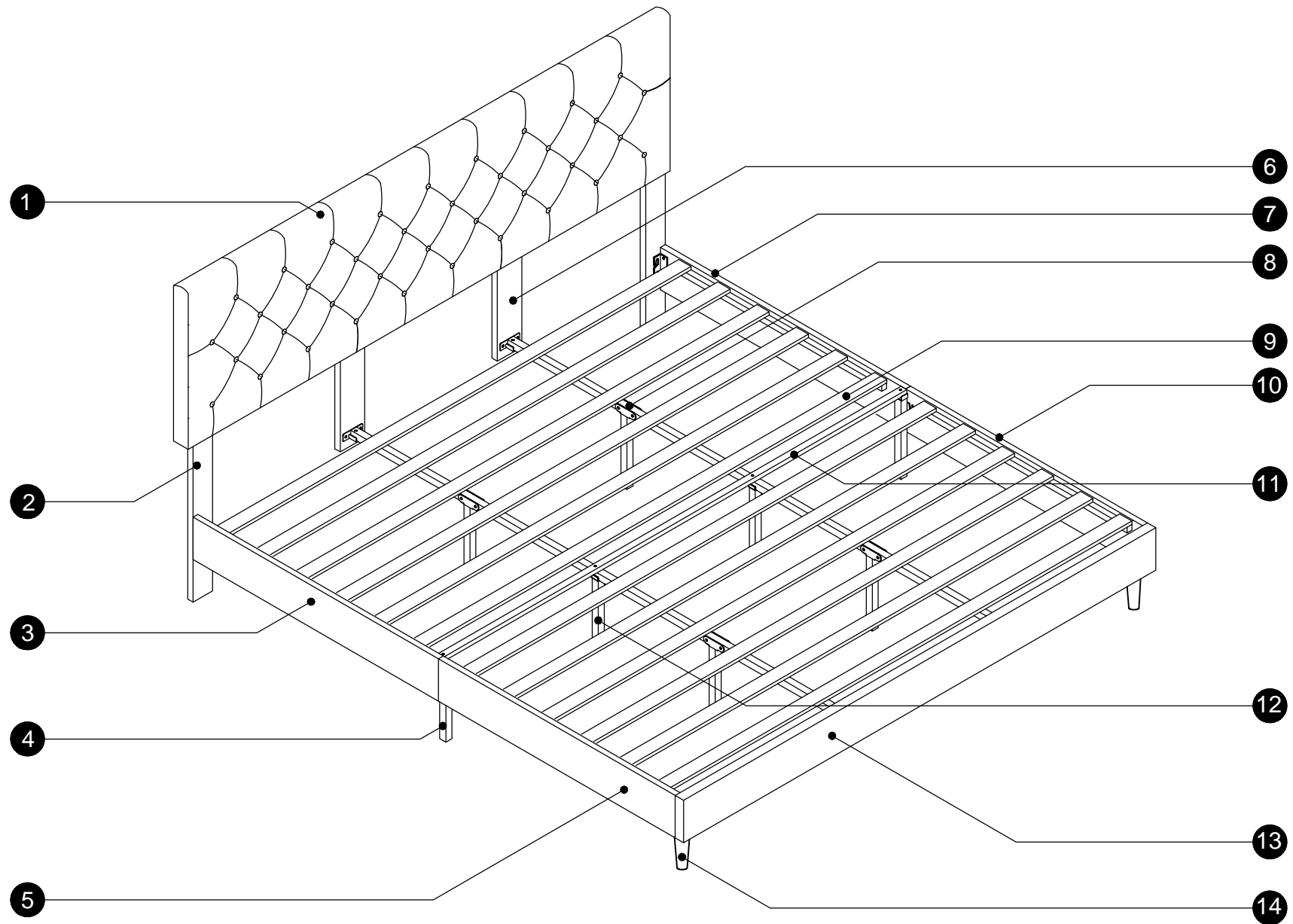


It needs at least two people to install.



Before starting the assembly, you must read the whole manual and follow the instructions

Assembly Instruction



Assembly Instruction

Hardware arts



M8*15

A 12PCS



M8*25

B 8PCS



M8*35

C 6PCS

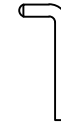


M8*45

D 10PCS

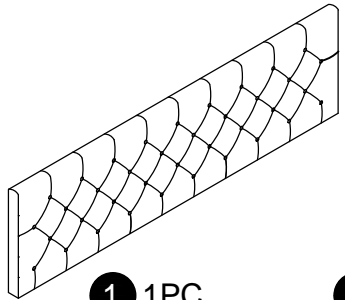


E 8PCS

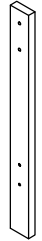


F 1PC

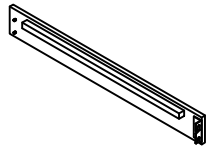
Part list



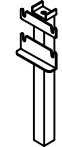
1 1PC



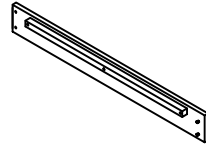
2 2PCS



3 1PC



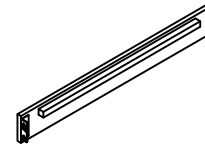
4 2PCS



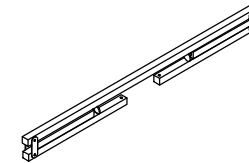
5 1PC



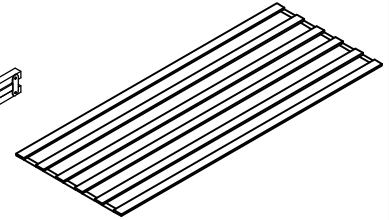
6 2PCS



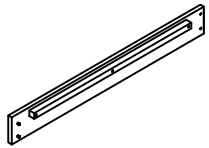
7 1PC



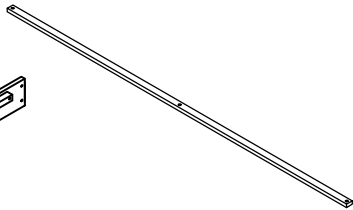
8 2PCS



9 2PCS



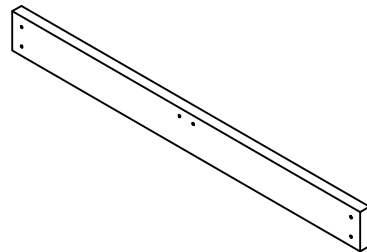
10 1PC



11 1PC



12 2PCS



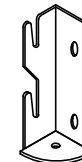
13 1PC



14 2PCS



15 1PC



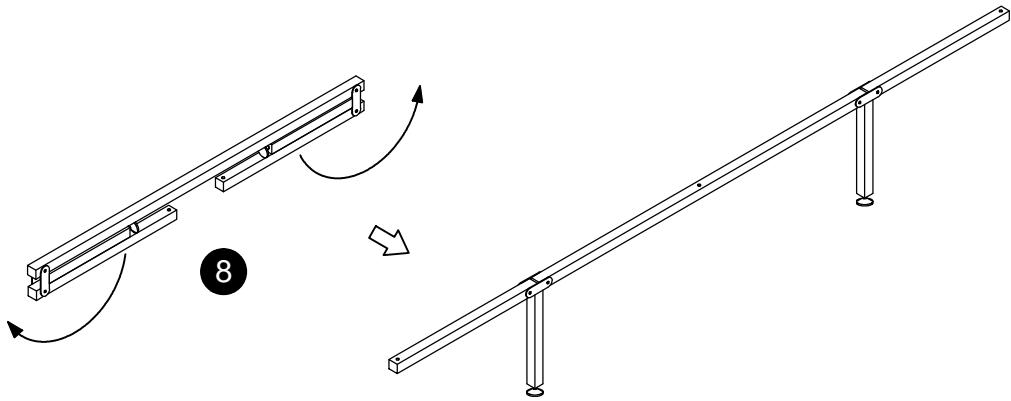
16 1PC





17 4PCS

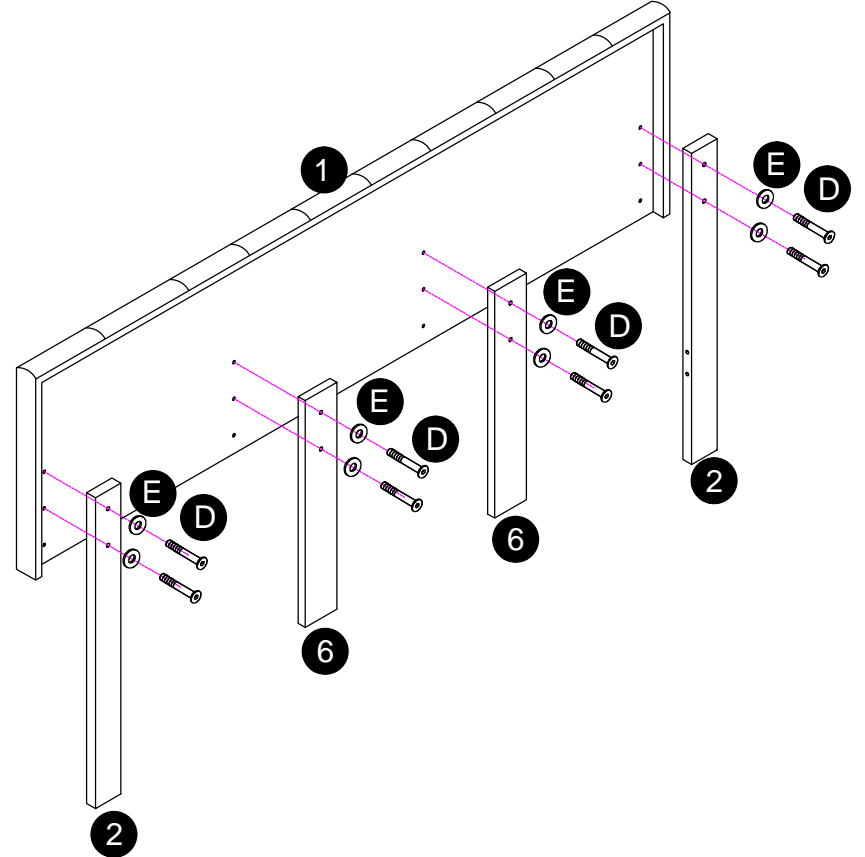
Assembly Instruction

Step:1



Step:2

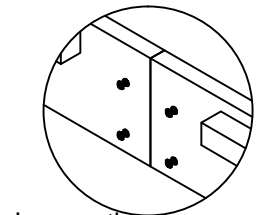
-  **D** X 8PCS
-  **E** X 8PCS



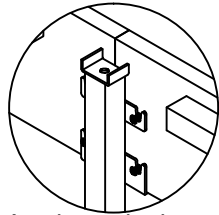
Assembly Instruction

Step:3

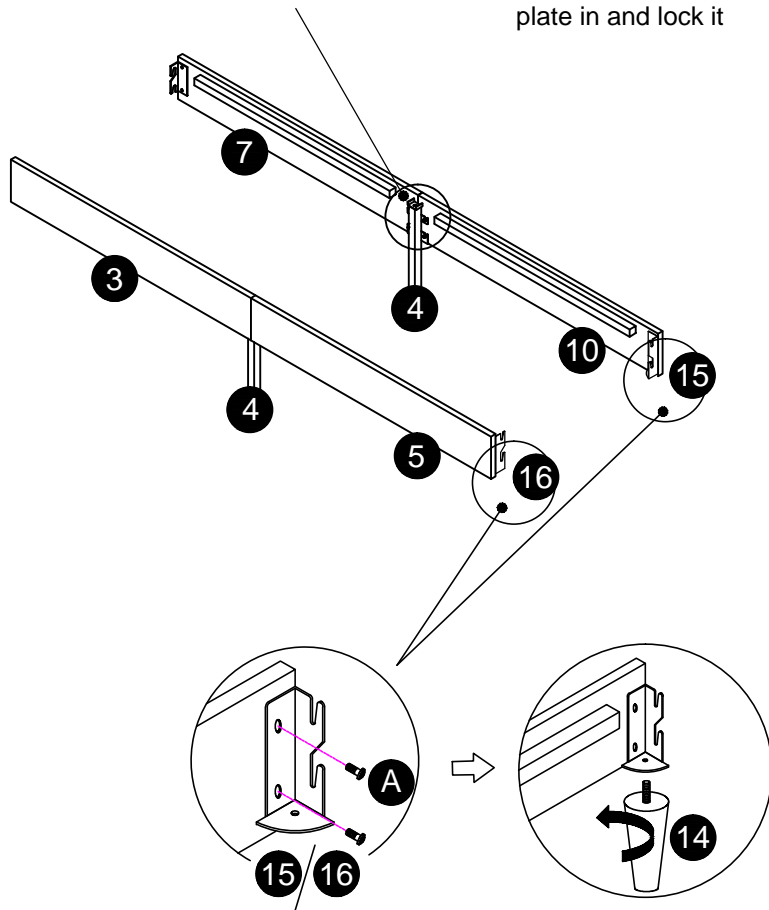
 **A** X 4PCS



Loosen the screws on the side plate of the bed

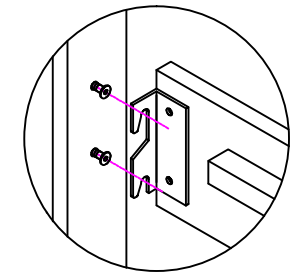
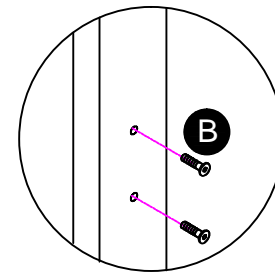
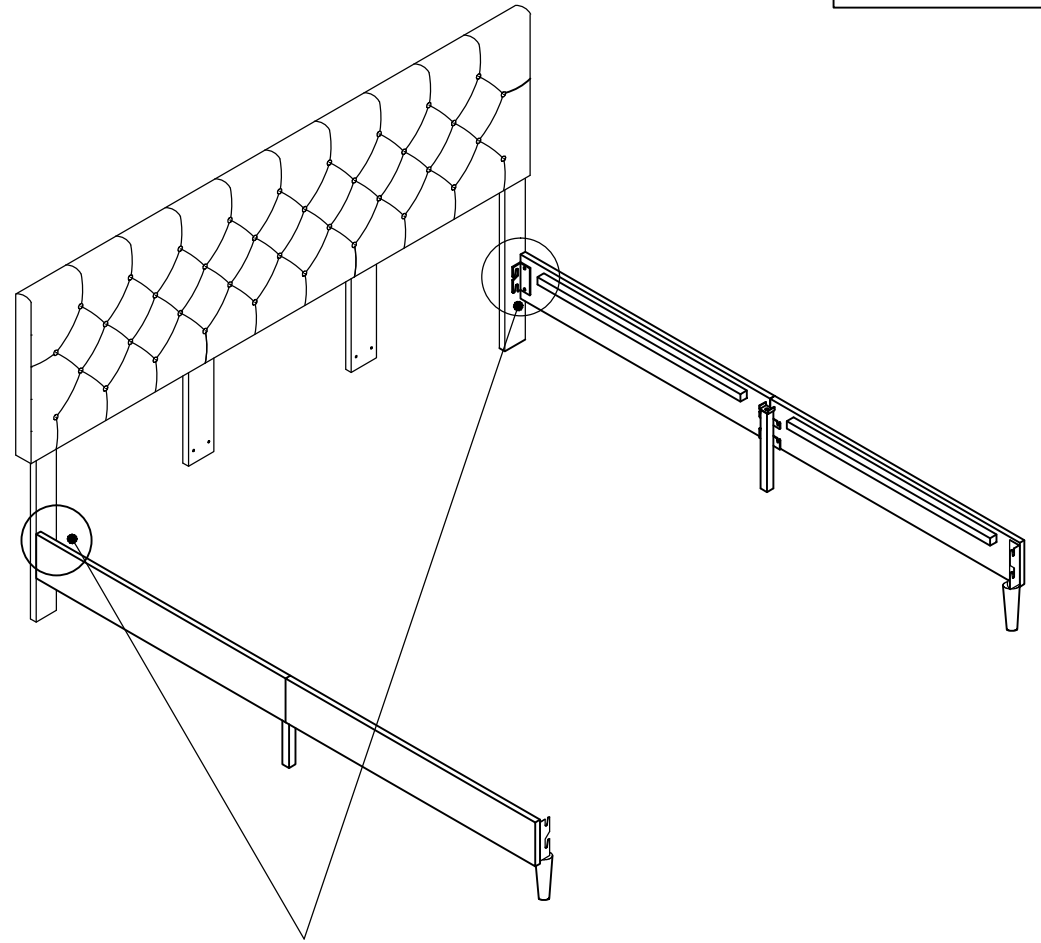


As shown in the figure, clip the middle foot of the bed side plate in and lock it



Step:4

 **B** X 4PCS

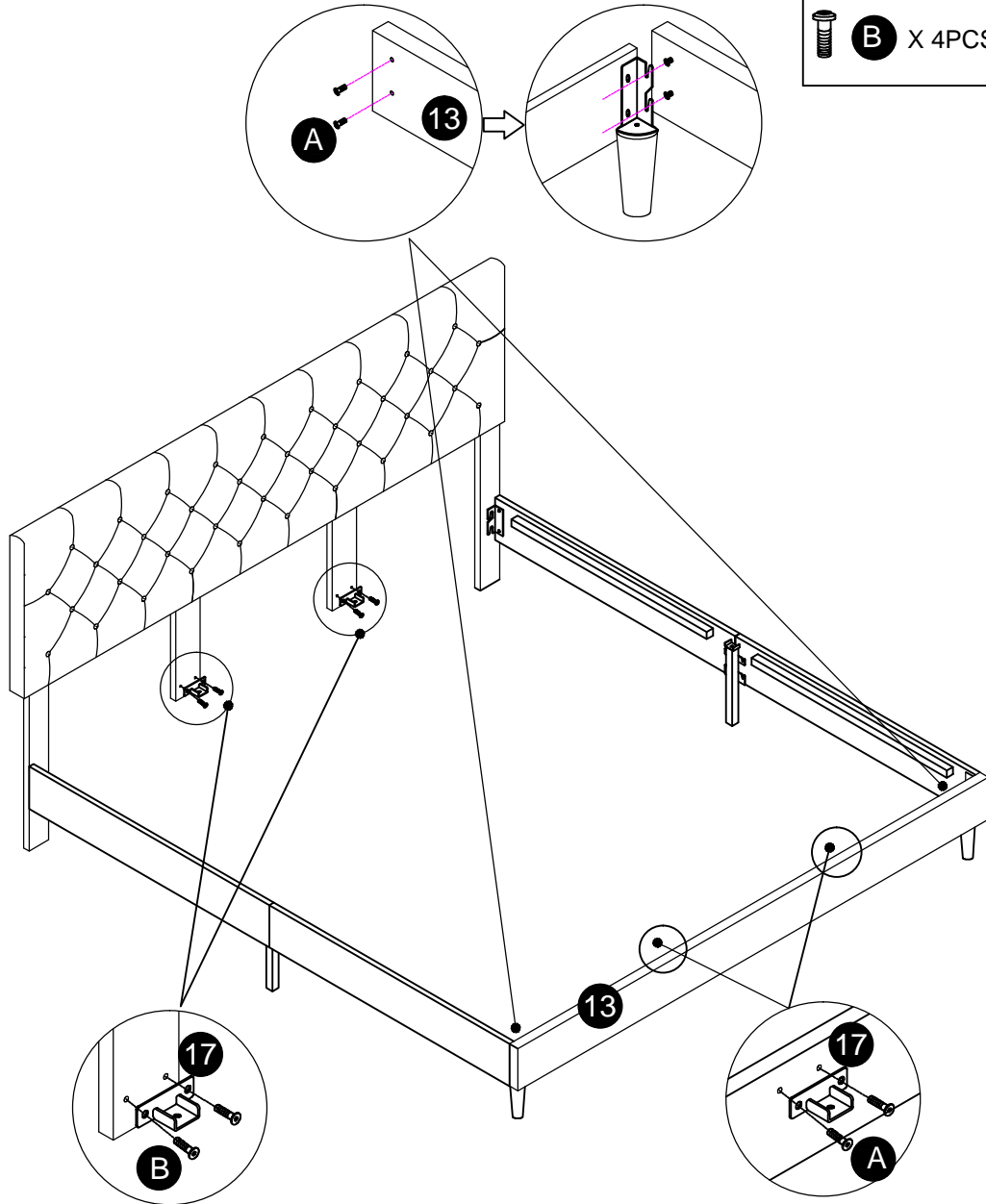


Assembly Instruction

Step:5

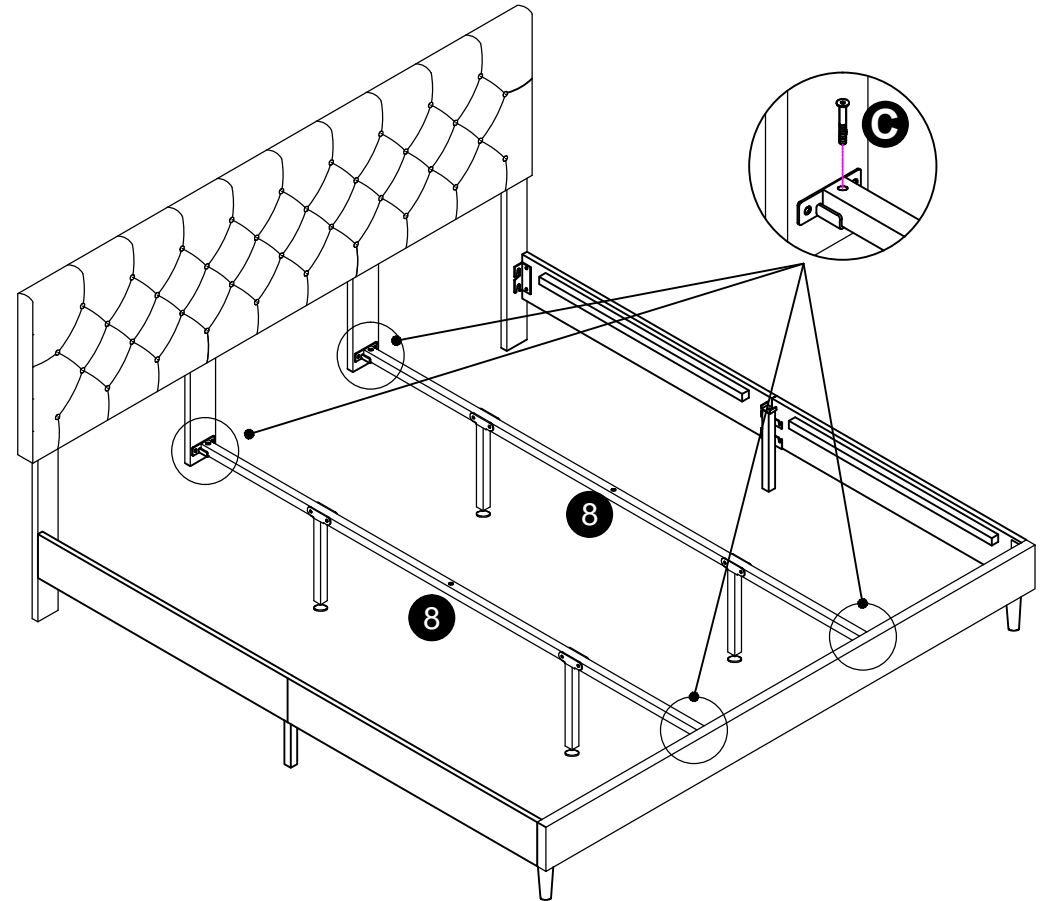
 **A** X 8PCS

 **B** X 4PCS



Step:6

 **C** X 4PCS

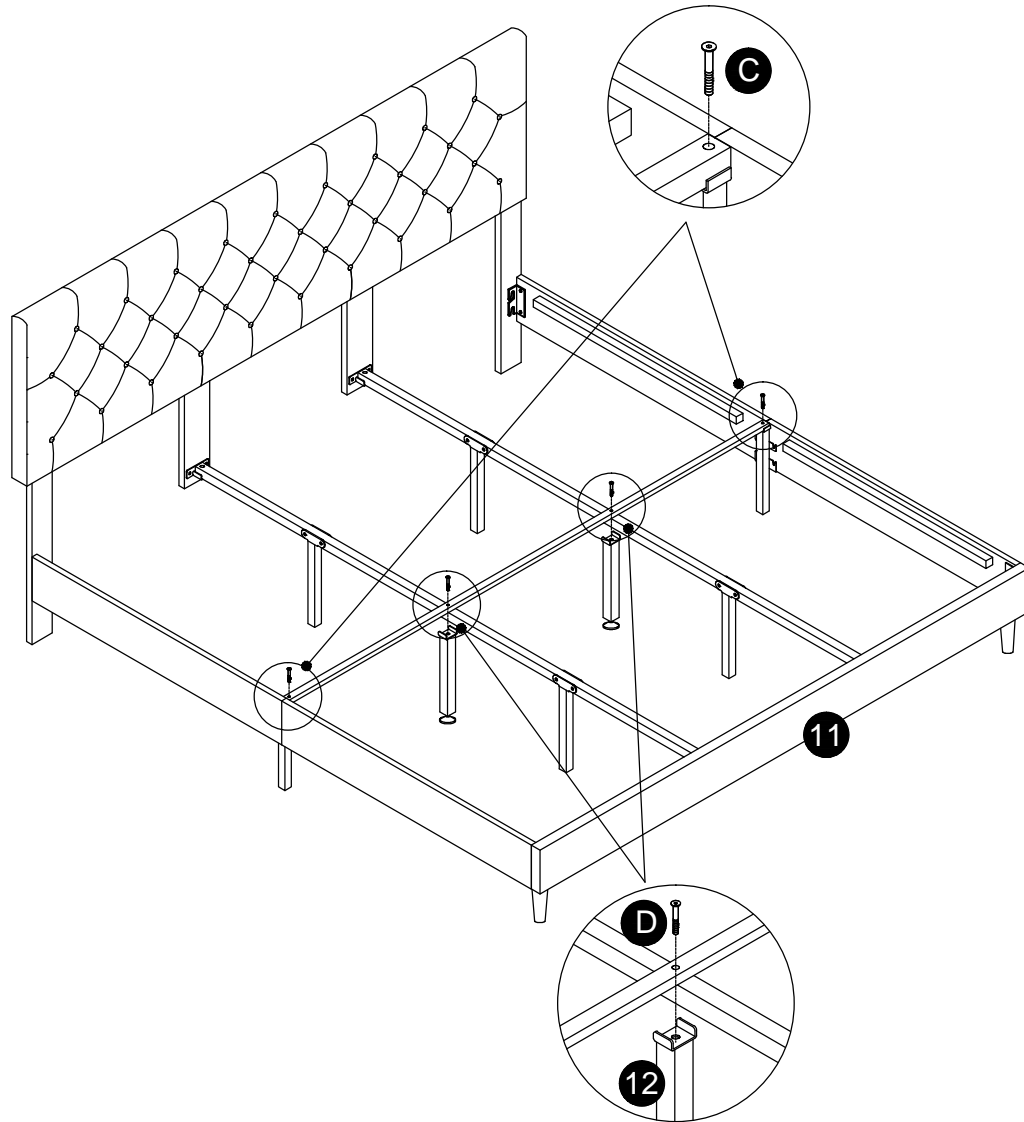


Assembly Instruction

Step:7

 **C** X 2PCS

 **D** X 2PCS



Step:8

