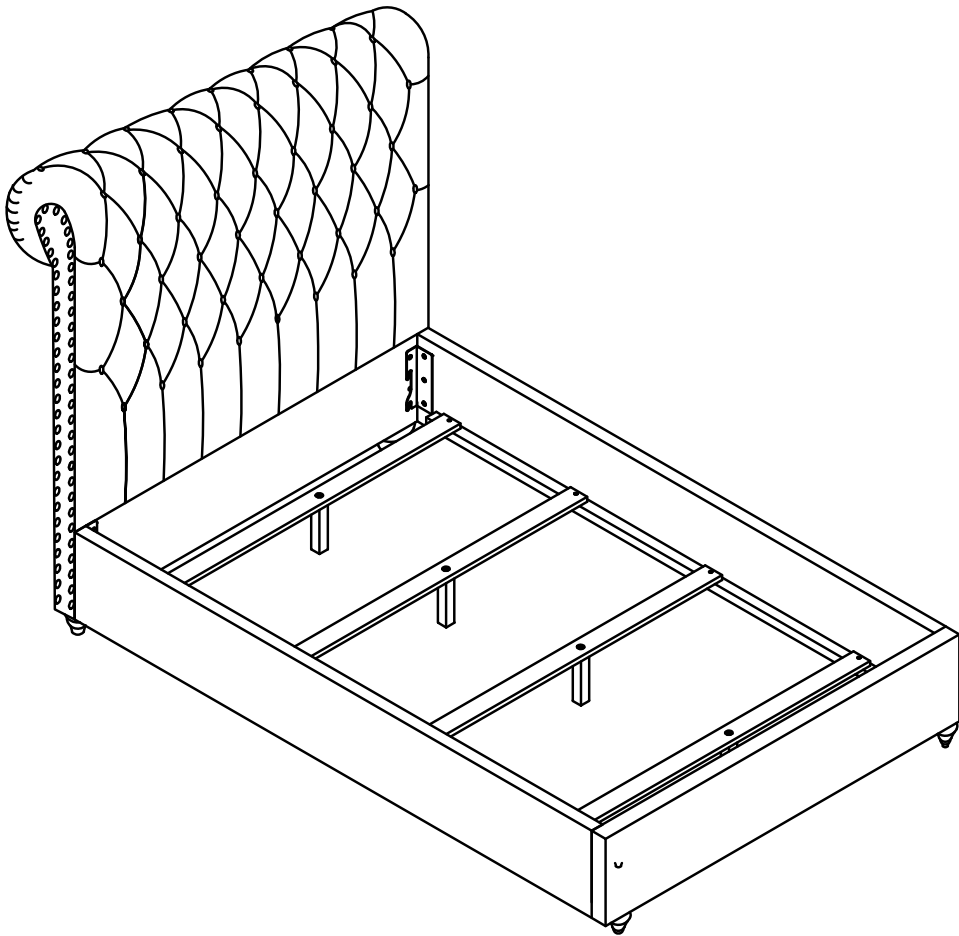


ASSEMBLY INSTRUCTIONS



Fine Furniture for every stage of life

Full Bed

ASSEMBLY INSTRUCTIONS

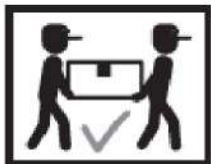
ASSEMBLY TIPS:

1. Remove hardware from box and sort by size.
2. Please check to see that all hardware and parts are present prior to start of assembly.
3. Please follow attached instructions in the same sequence as numbered to assure fast & easy assembly.



WARNING!

1. Don't attempt to repair or modify parts that are broken or defective. Please contact the store immediately.
2. This product is for home use only and not intended for commercial establishments.



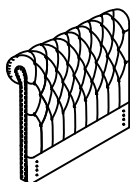
ASSEMBLY TIME

30 MINUTES

PARTS IDENTIFICATION

B1 (BOX 1)

A HEADBOARD PANEL



1PC

B HEADBOARD LEG



2PCS

B2 (BOX 2)

C FOOTBOARD PANEL



1PC

D FOOTBOARD LEG



2PCS

E BED RAIL



2PCS

F BED SLAT



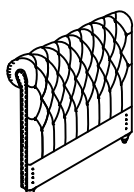
4PCS

G BED SLAT SUPPORT WITH LEVELER



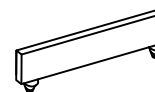
4PCS

HB FROM BOX 1
HEADBOARD
COMPLETE



1PC

FB FROM BOX 2
FOOTBOARD
COMPLETE



1PC

ASSEMBLY INSTRUCTIONS

ASSEMBLY TIPS:

1. Remove hardware from box and sort by size.
2. Please check to see that all hardware and parts are present prior to start of assembly.
3. Please follow attached instructions in the same sequence as numbered to assure fast & easy assembly.


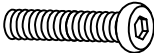




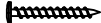


WARNING!

1. Don't attempt to repair or modify parts that are broken or defective. Please contact the store immediately.
2. This product is for home use only and not intended for commercial establishments.

HARDWARE IDENTIFICATION

BOX 2 - HARDWARE PACK

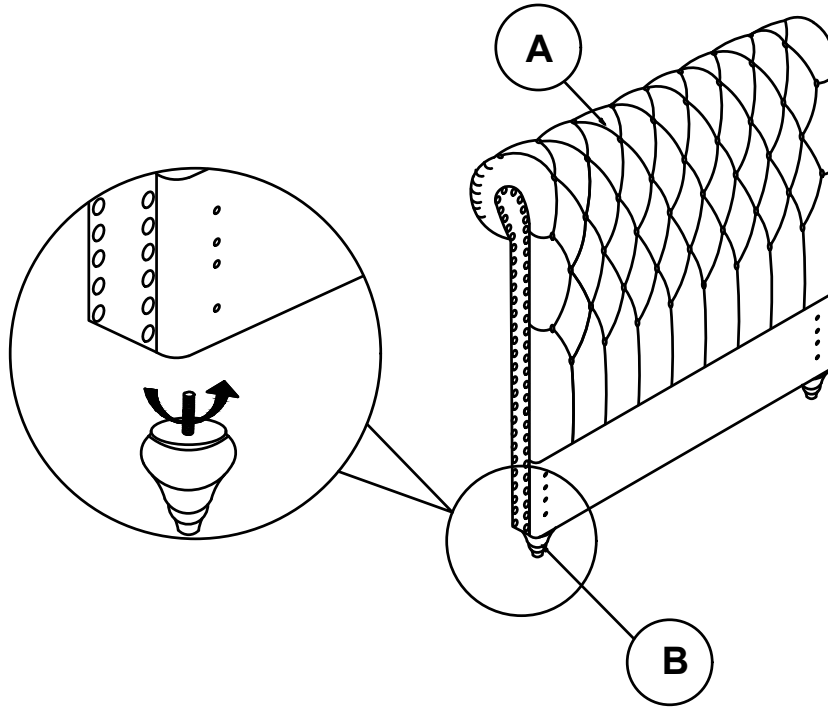
1	ALLEN WRENCH (5mm - BLK)		1PC	2	BOLT (Ø 5/16" x 32mm - BLK)		24PCS
3	HEADBOARD CORNER BRACKET - RIGHT (200mm x 60mm x 40mm x2mm - BLK)		2PCS	4	HEADBOARD CORNER BRACKET - LEFT (200mm x 60mm x 40mm x2mm - BLK)		2PCS
5	LOCK WASHER (Ø 5/16" -BLK)		24PCS	6	FLAT WASHER (Ø 5/16" - BLK)		24PCS
7	FLAT HEAD SCREW (M4 x 30mm - BLK)		8PCS				

NOTE:

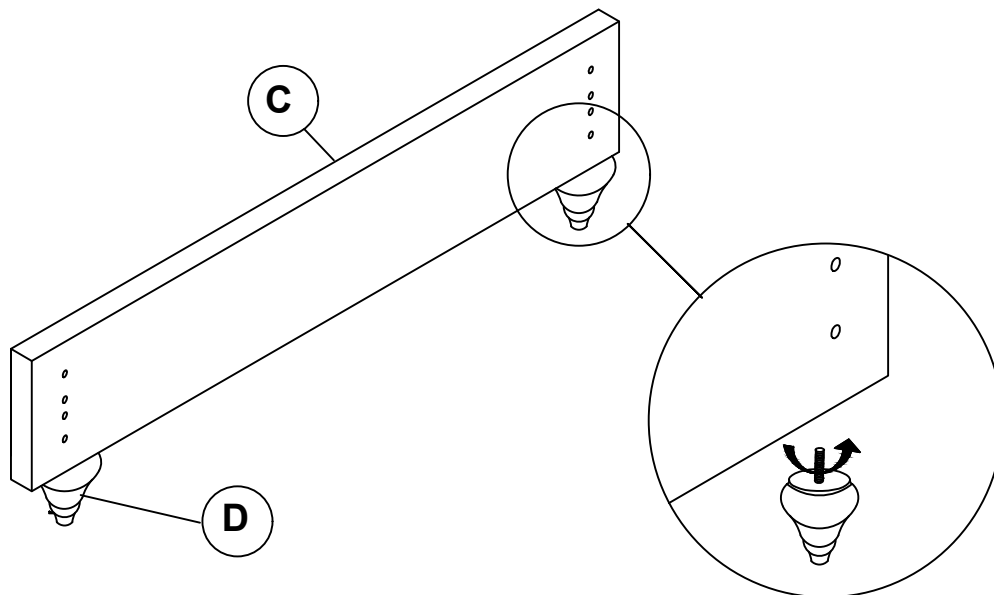
Phillips hesd screw driver is required in the assemly process; however, manufacturer does not provide this item.

ASSEMBLY INSTRUCTIONS

STEP 1

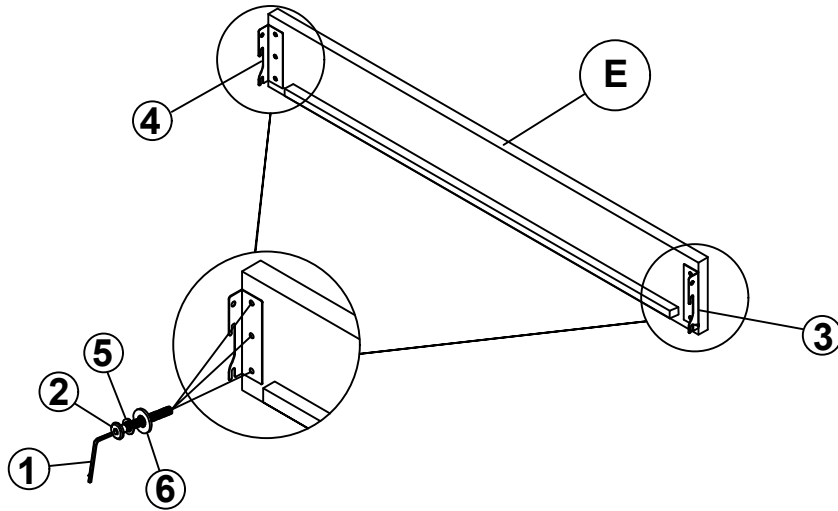


STEP 2

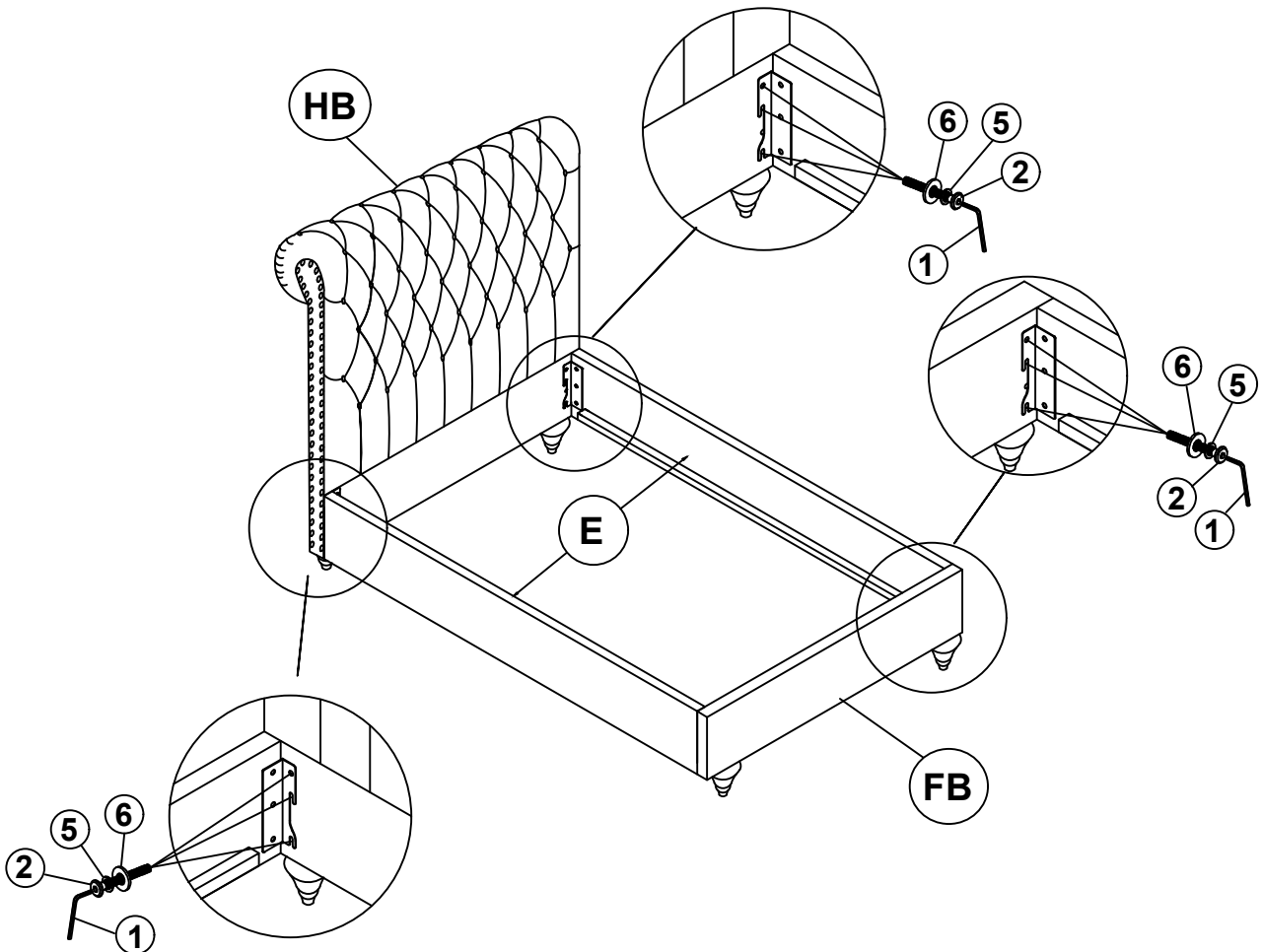


ASSEMBLY INSTRUCTIONS

STEP 3

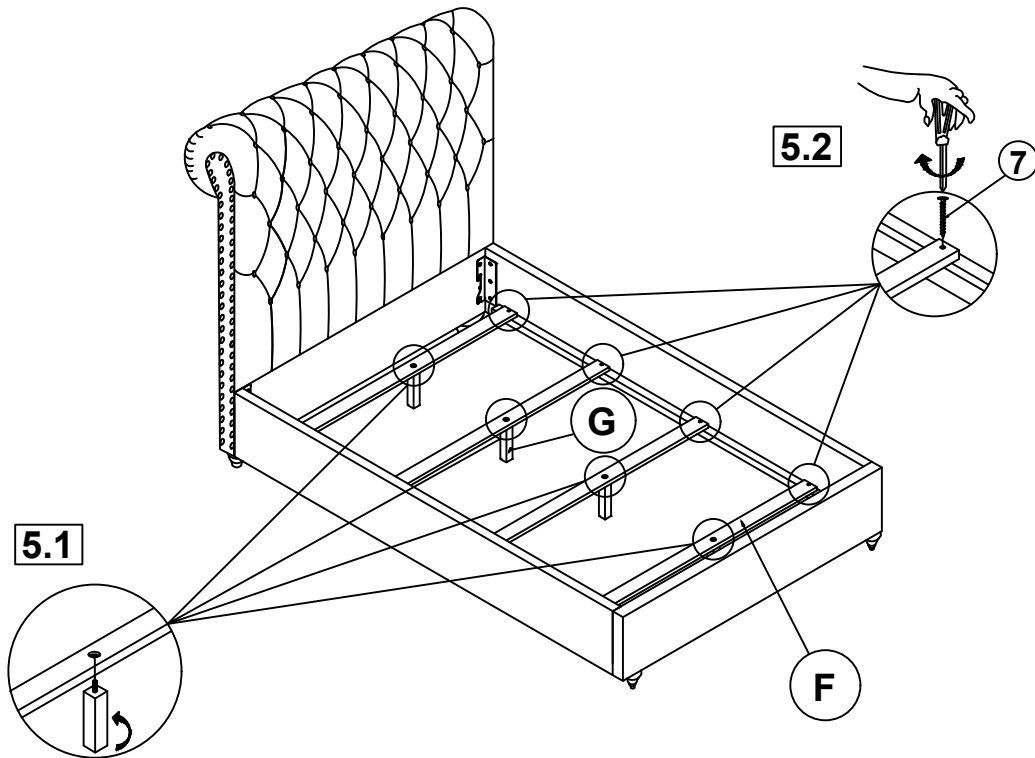


STEP 4

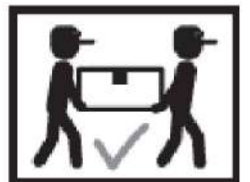
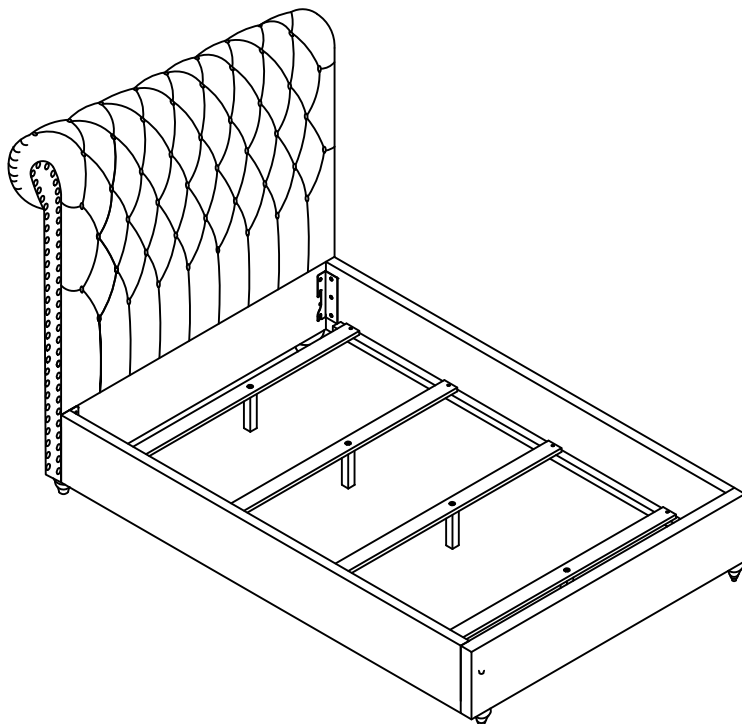


ASSEMBLY INSTRUCTIONS

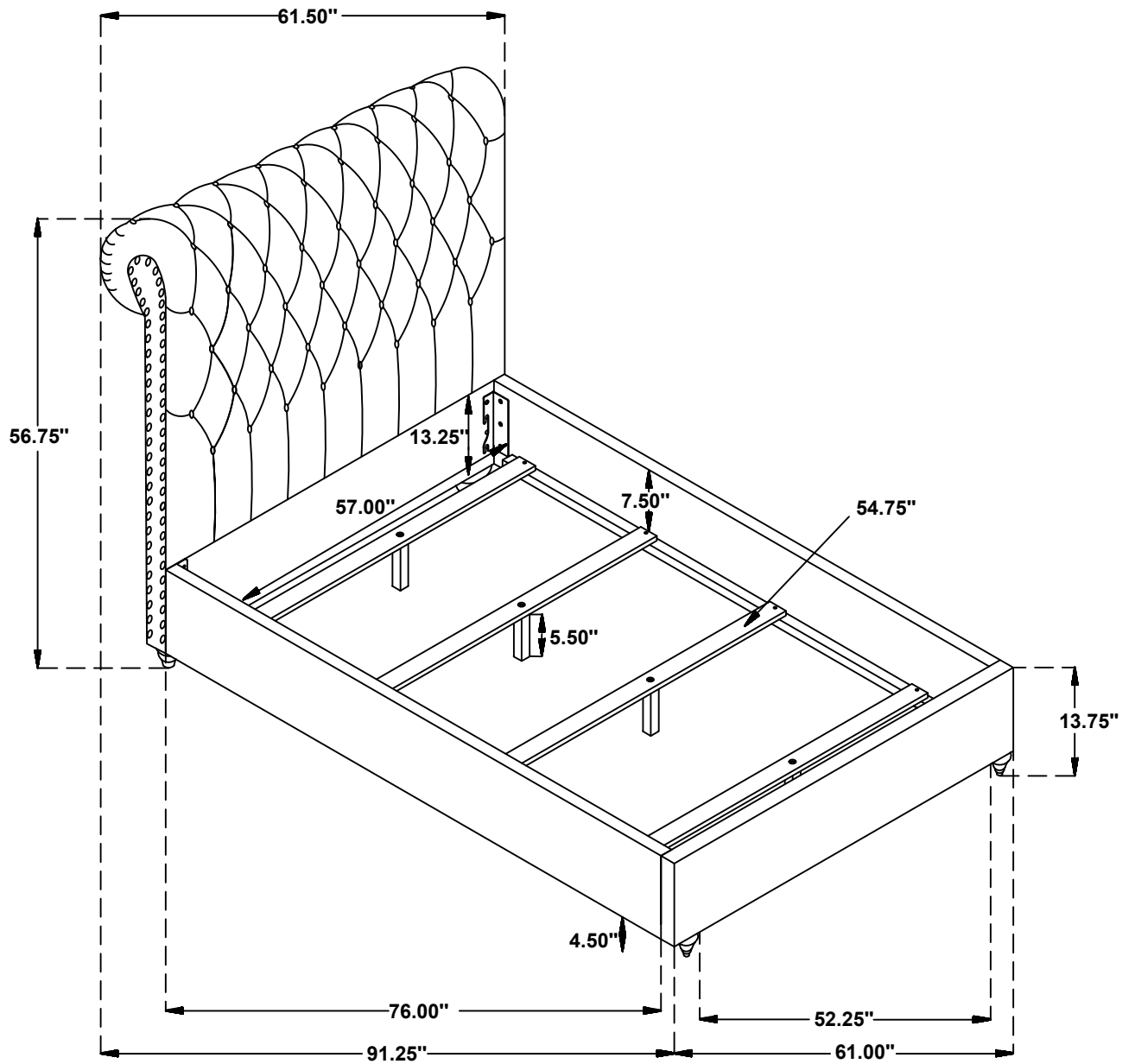
STEP 5



STEP 6 COMPLETE



Inner Size : 55.00"W x 76.00"D



Note: Dimension tolerance $\pm 5\%$