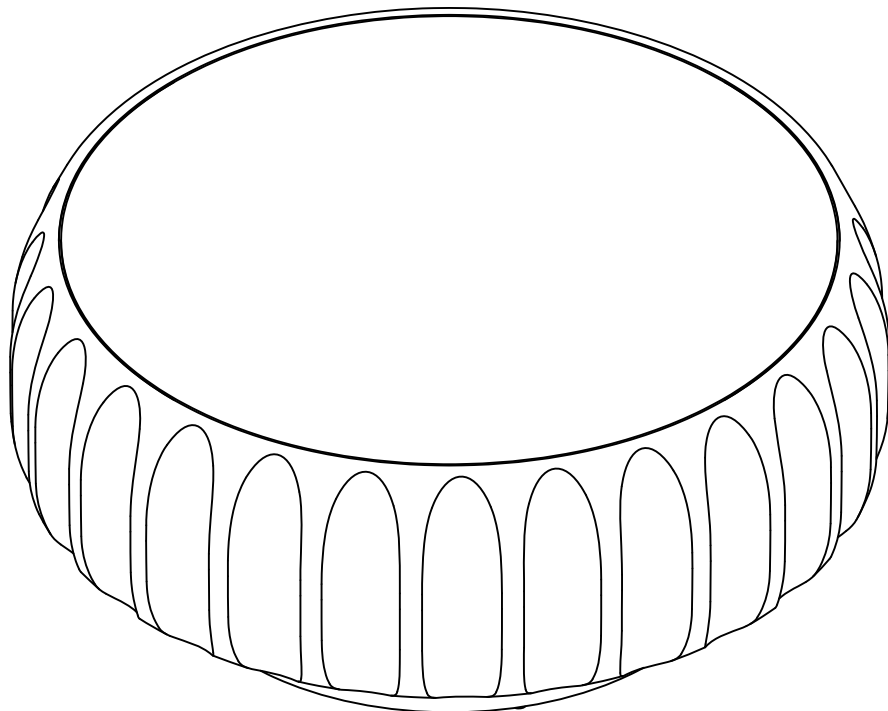


Assembly Instructions

Caution: You must read this before you proceed

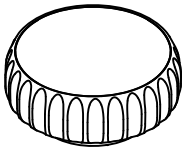
Coffee Table



Product name:

Coffee Table

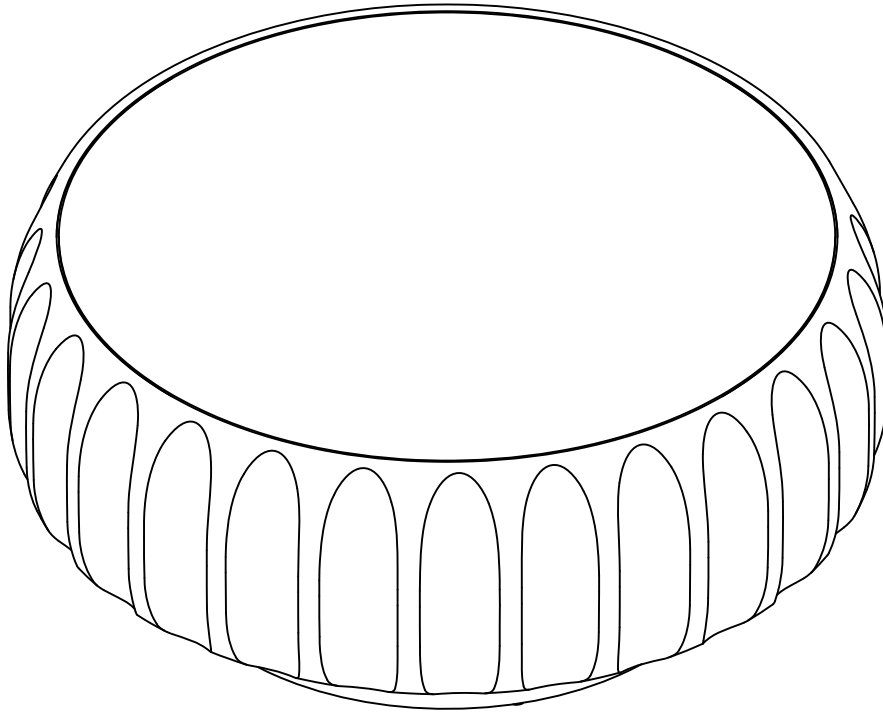
Parts list

Label	Picture	Description	QTY
①		Table	1

Hardware

Label	Picture	Description	QTY
A		Allen Wrench	1

Overview

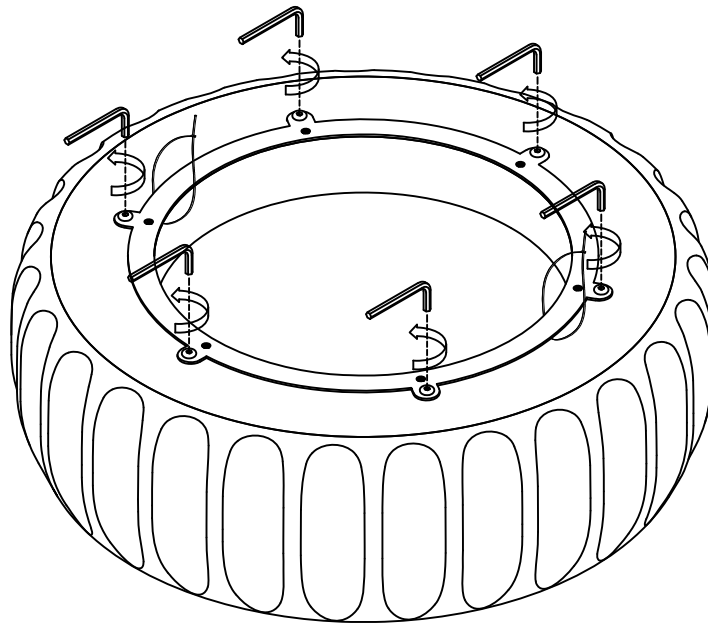


IMPORTANT :

- Read the instructions carefully from cover to cover.
- Do not assemble on flooring or carpet.
- Assemble on a clean non-marring surface (packing foam).
- Save all packaging until finished.
- Do not tighten bolts / screws completely until all bolts / screws are lined up and inserted into holes.
- Do not over tighten screws and bolts to avoid stripping.
- Please always use hand tools to assemble this product and never use power tools.

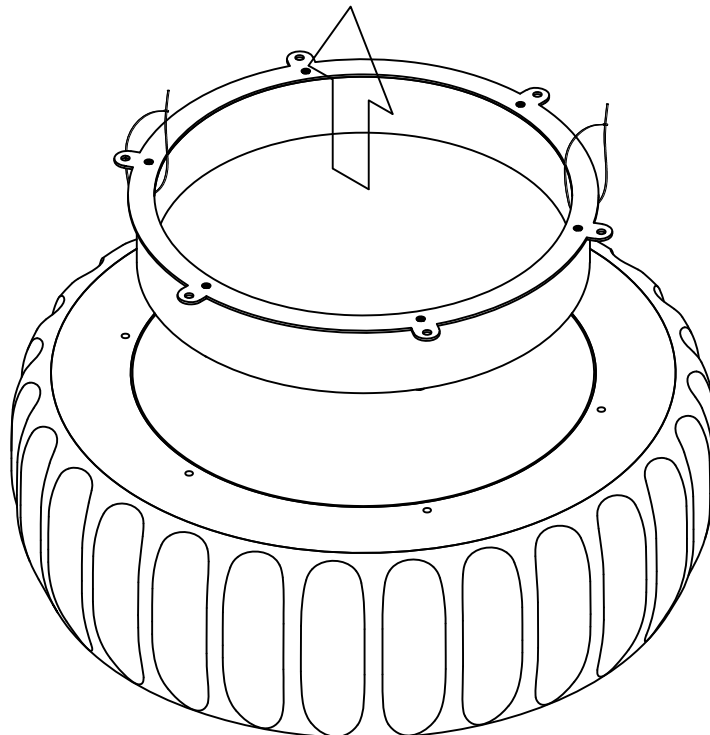
Step 1

Loosen the six bolts.



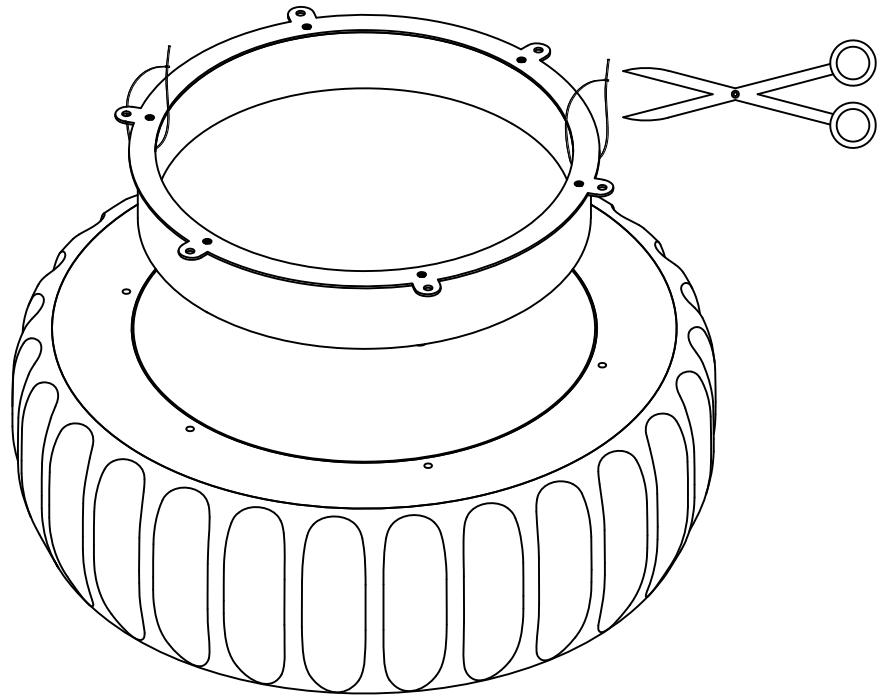
Step 2

Grab the cable ties and pull the round base out.

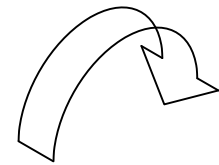
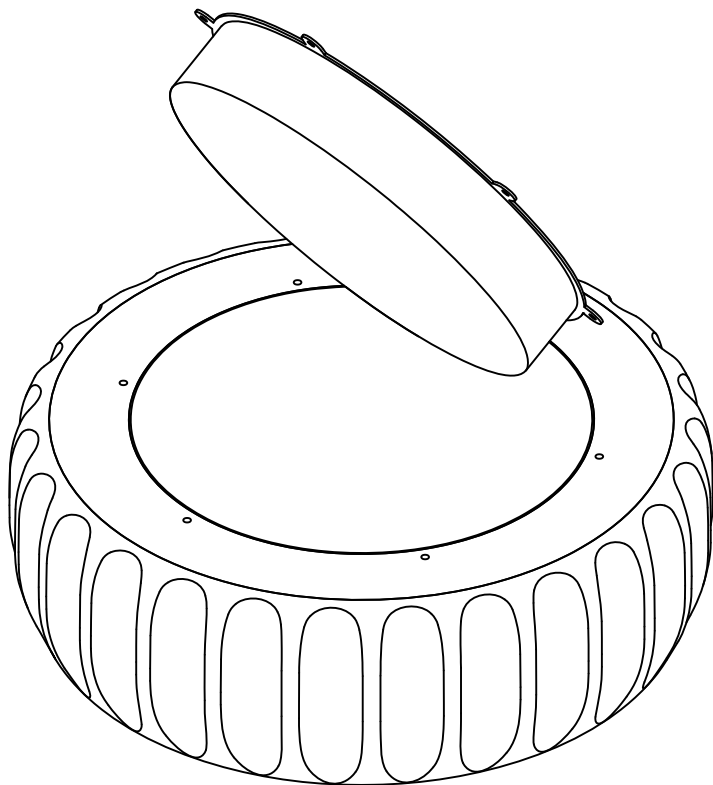


Step 3

Cut off the two cable ties.



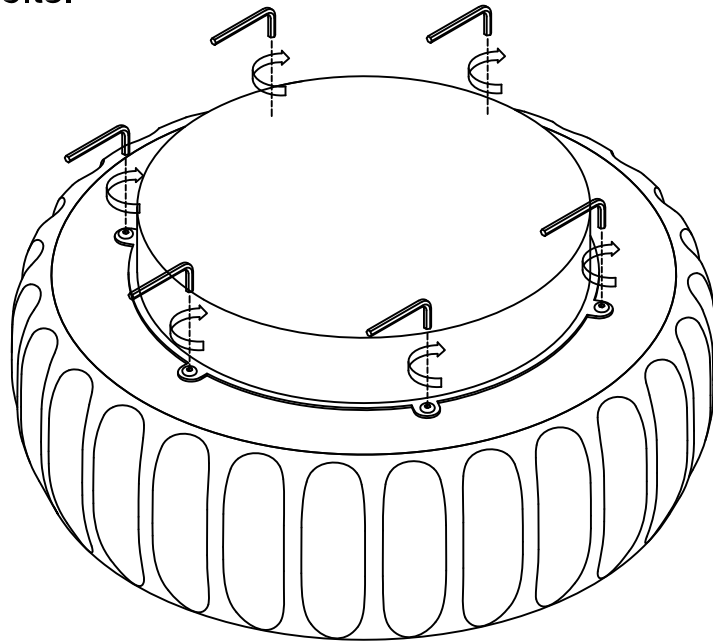
Step 4



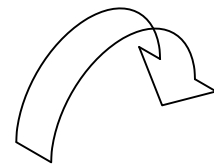
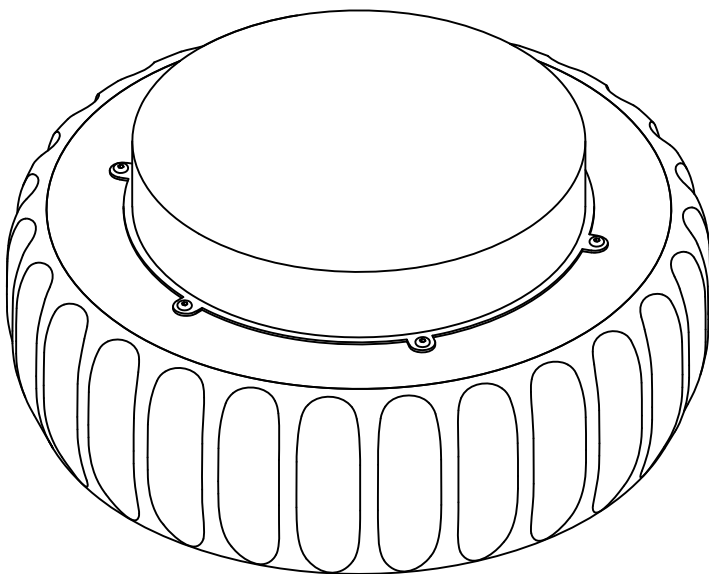
Flip the round base
180° carefully

Step 5

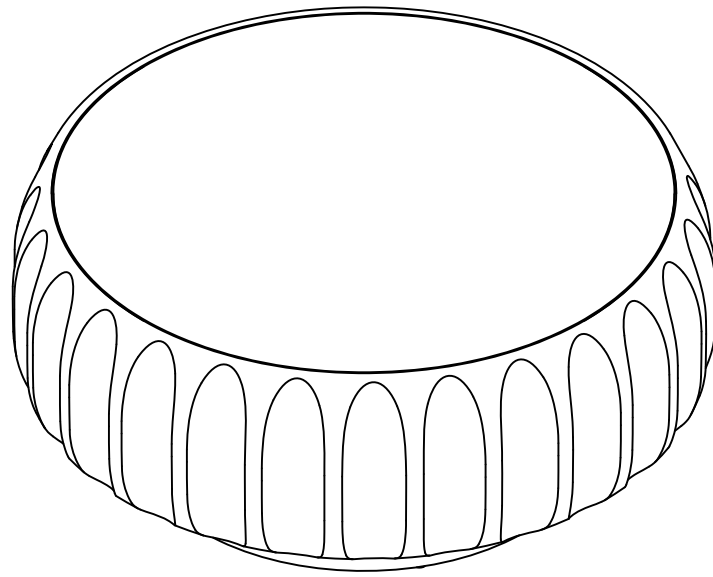
Tighten the six bolts.



Step 6



Flip the assembled
Coffee Table 180°
carefully



Your Item is ready for use.
This Item should only be used on a flat, level surface.

Care & Maintenance

- Furniture may scratch the floor. We recommend using furniture pads to protect your floors.
- Do not put hot items directly on furniture surface.
- Do not clean furniture with harsh cleansers or polishers.
- Do not place furniture under direct sunlight.
- Do not place furniture near heating or cooling vents.
- Do not expose the product to high temperatures or humid environments.
- Do not write on furniture without a padded barrier to protect the surface.
- Do not place furniture outside. For indoor use only.
- Stains may be removed with mild soap solution and damp cloth.
- Children should not climb or jump on the furniture.
- Dust and clean up spills using a clean, non-colored, lint-free cloth.
- Regularly check screws to ensure stability.

Dear Customer,

Thank you for your purchase! We are committed to providing you with high-quality products and services. We hope you enjoy the comfort and convenience brought by this Item. If you have any further questions or any quality issues, please show the below number and don't hesitate to contact our Customer Service People: