

# User Manual

Solar Lamp Post Light Head

# Use and Maintenance

- For first-time use, please press the power button to test if the light is working properly. If the light does not turn on, please contact us.
- For first-time use, it is recommended to place the device in direct sunlight for at least 6 hours.
- Recommended installation height is 6.5 to 16.5 feet.
- The light needs to be installed in an unobstructed location, ensuring at least 6 hours of sunlight daily. It cannot be installed under obstructions such as building walls, trees, utility poles, or under glass, as this will reduce charging efficiency.
- Regularly clean dust and debris from the photovoltaic charging panel surface.
- Please check regularly to ensure the light fixture is securely installed to prevent it from falling off.

## Troubleshooting

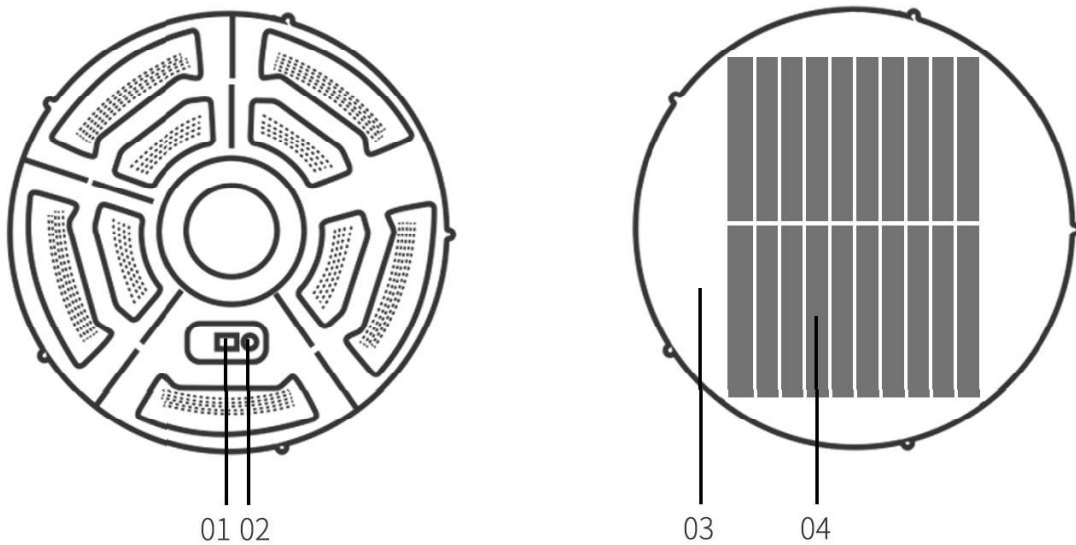
Common Issue	Possible Cause	Solution
Light only works a few hours at night	Battery not fully charged	<ul style="list-style-type: none"><li>• Move the lamp to a sunnier spot.</li><li>• Charge in direct sunlight for 2 full days, keep the light OFF at night; then press AUTO the next night.</li></ul>
	Timer mode enabled	<ul style="list-style-type: none"><li>• Press AUTO button.</li></ul>
Remote control not working	Battery dead or reversed	<ul style="list-style-type: none"><li>• Replace or reinstall the battery.</li></ul>
	Too far or wrong angle	<ul style="list-style-type: none"><li>• Move closer and aim directly at the receiver.</li><li>• Install the lamp head at a higher position.</li></ul>
Lamp head do not fit 3" pole/post	Mounting nut placed incorrectly	<ul style="list-style-type: none"><li>• Insert the nut into the correct position and tighten the screws.</li></ul>
Light is not working at night	Always	<ul style="list-style-type: none"><li>• Press the power button on the light. If the problem persists, please contact us.</li></ul>
	Recently	<ul style="list-style-type: none"><li>• Press the ON button on the remote control. If the problem persists, please contact us.</li></ul>
Other issues	/	<ul style="list-style-type: none"><li>• Contact us anytime — we are happy to help.</li></ul>

# What You Get

Item	Quantity
Lamp Head	1
Remote Control	1
Battery	2
Screw	3
Mounting Adapter	1

**i** The lamp pole, wall mounting bracket and round pole tenon adapter are not included.

## At a Glance



**01** Instruction Reception Window

**02** Power Button

**03** Tempered Glass Protective Layer

**04** Monocrystalline Solar Panel

## Specifications

Item Dimensions	16.5"L x 16.5"W x 2.2"H
Power Source	Solar Powered
Number of LEDs	750

# READ AND FOLLOW ALL SAFETY INSTRUCTIONS

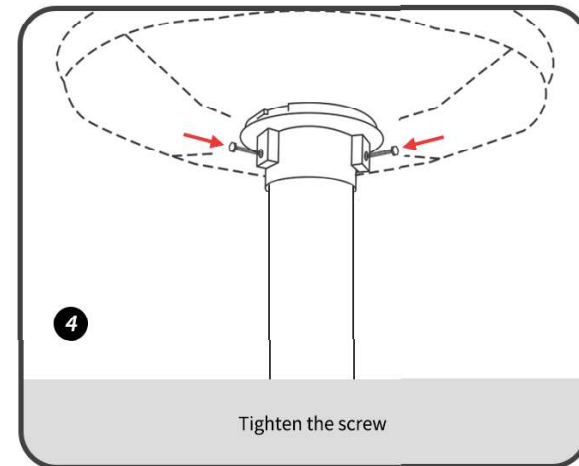
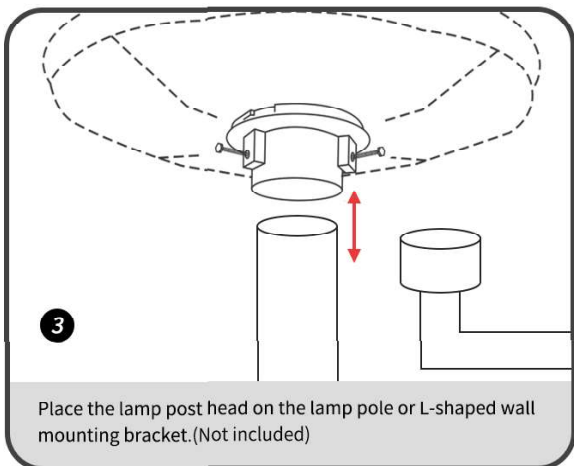
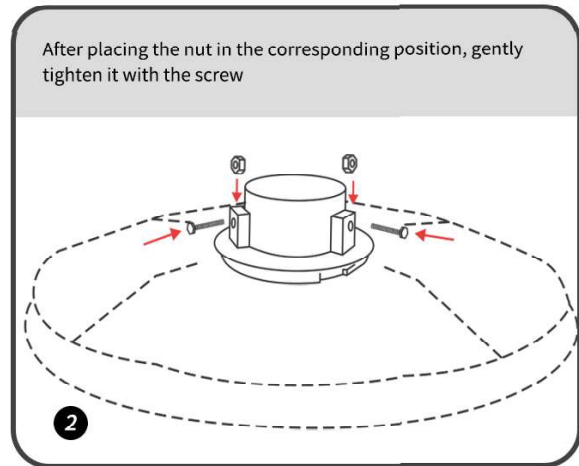
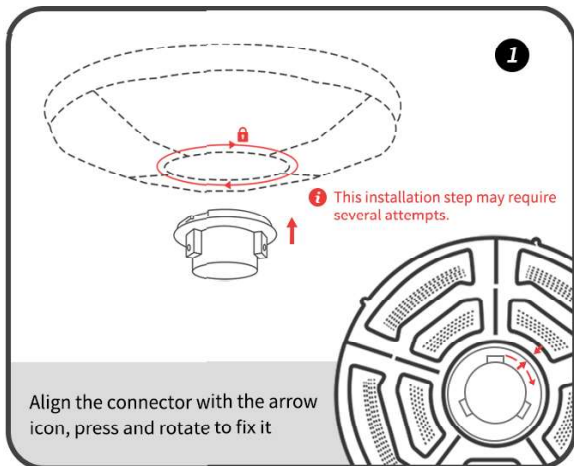
## IMPORTANT SAFETY INSTRUCTIONS

When using products, basic precautions should always be practiced, including the following:

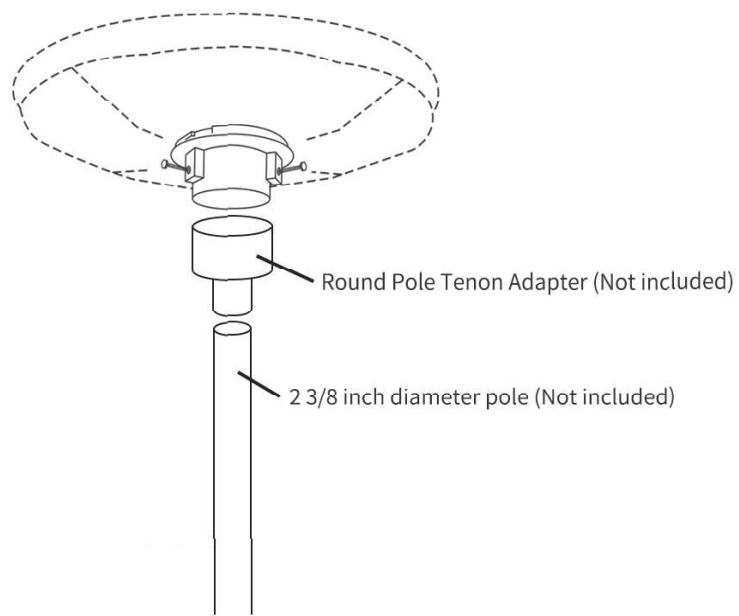
- This lamp head can be used outdoors but cannot be immersed in water.
- Do not allow children to assemble and install this product.
- Avoid installing this product near major heat sources or other dangerous sources.
- Please use the included screws to secure the light fixture in place to prevent it from falling.
- This device uses a non-replaceable light source and battery. When the light source and battery reach the end of their life cycle, this device should be replaced.

**CAUTION** - The product is not a toy. Children and the disabled should use it under adult supervision.

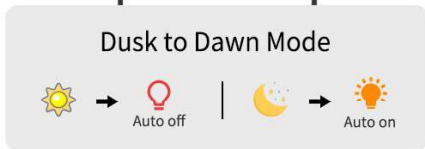
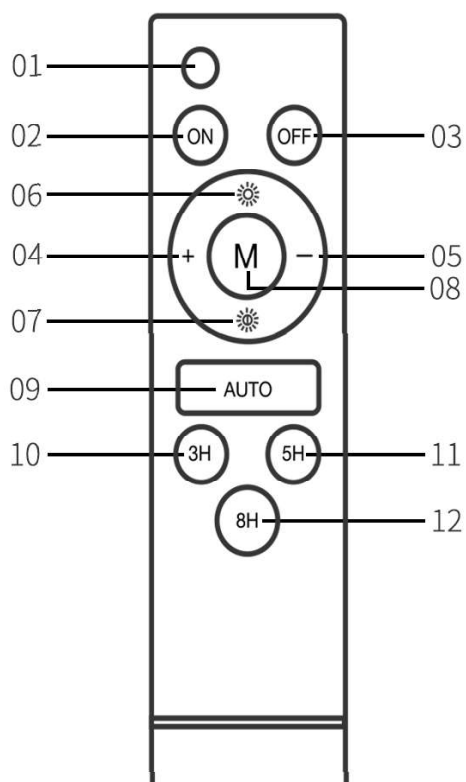
# Installation Guide



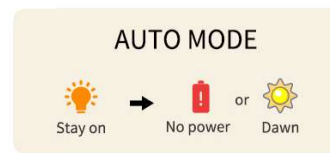
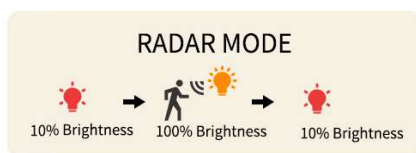
- The lamp head is compatible with lamp pole diameters ranging from 2 3/8 to 3 inches, but 3 inches is recommended.
- For installation on a 2 3/8 inch diameter pole, you can add a round pole tenon adapter, but it is not mandatory.



# Remote Control



- 01** No Meaning
- 02** Light On Button  
Turns on the light and keeps it on
- 03** Light Off Button  
Turns off the light and keeps it off
- 04** Brightness Increase Button
- 05** Brightness Reduction Button
- 06** Maximum Brightness Button  
Switch the light to maximum brightness
- 07** Half Brightness Button  
Switch the light to half brightness
- 08** Radar Sensor Button  
Switch the light to radar sensor mode
- 09** AUTO Button  
Switch to auto mode: The light stays on until the battery is depleted or dawn
- 10** 3-Hour Timer Button  
The light will automatically turn off after 3 hours
- 11** 5-Hour Timer Button  
The light will automatically turn off after 5 hours
- 12** 8-Hour Timer Button  
The light will automatically turn off after 8 hours



- All remote control commands require the light to be powered on. For first-time use, please ensure you have pressed the power button on the light.
- The lamp is set to auto mode and dusk-to-dawn mode by default. You can switch between different lighting modes as needed.
- The dusk-to-dawn mode is enabled by default and cannot be disabled unless you click the off button.
- Auto mode, radar mode, and timer mode cannot be used simultaneously. When you switch to one of these modes, the other two modes will be automatically canceled.
- A single flash of the light indicates successful remote control operation.
- When using the remote control, please point it at the instruction reception window on the light, and do not exceed 26 feet.
- When using the remote control, the angle between the remote control and the ground must be greater than 15°.
- CAUTION - Clicking the "off" button will cancel the Dusk to Dawn mode and keep it off. To use it normally, you must click the "on" button.