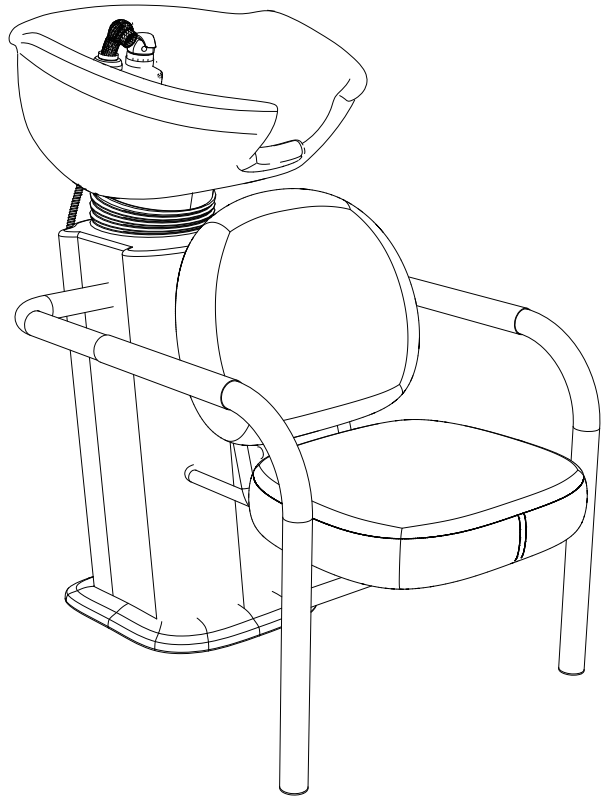


# Installation Instructions



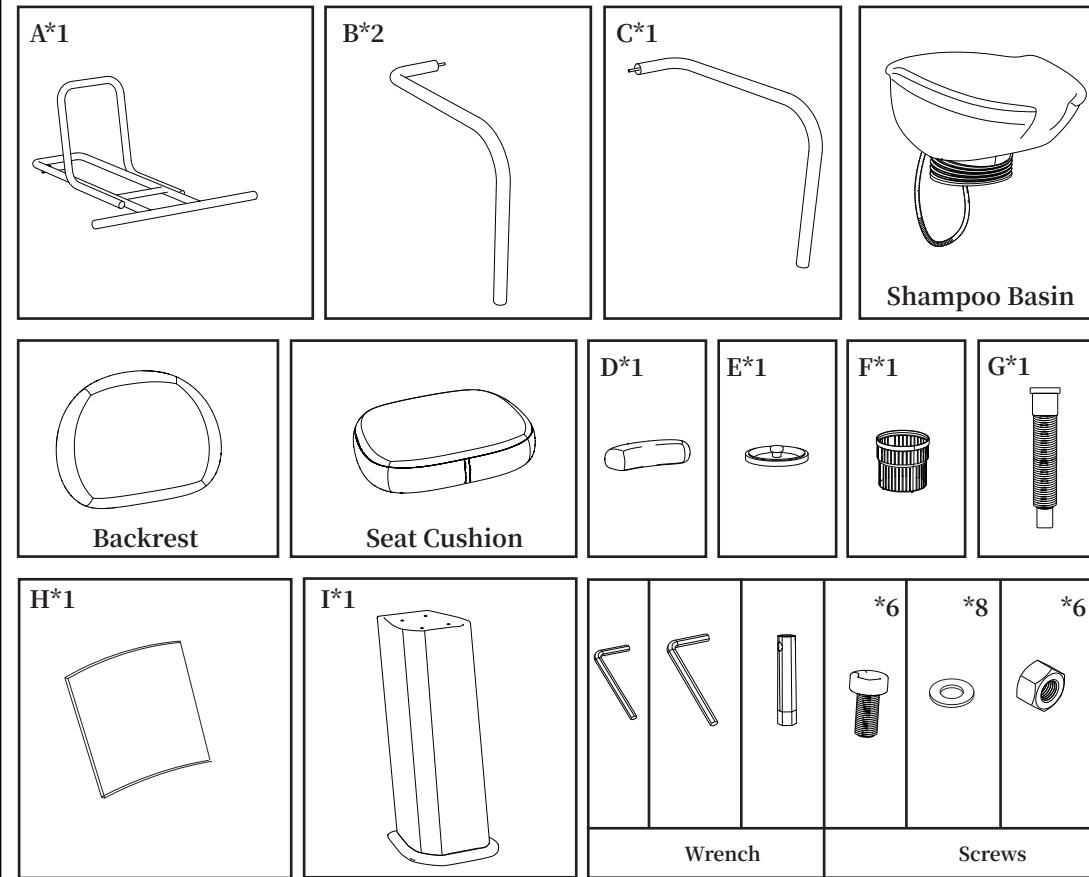
Contact Us  
Feel free to email us directly at:  
[service@baashabeauty.com](mailto:service@baashabeauty.com)  
Monday - Saturday (9:00 a.m. - 6:00 p.m. PST)

[www.baashabeauty.com](http://www.baashabeauty.com)

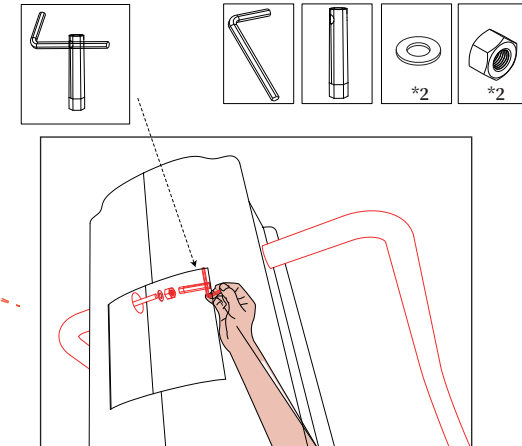
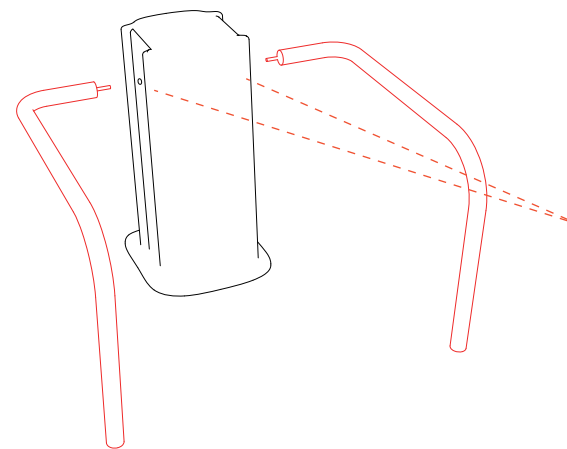


Scan to stay in touch and share the wonderful moments ahead!

## Parts Included

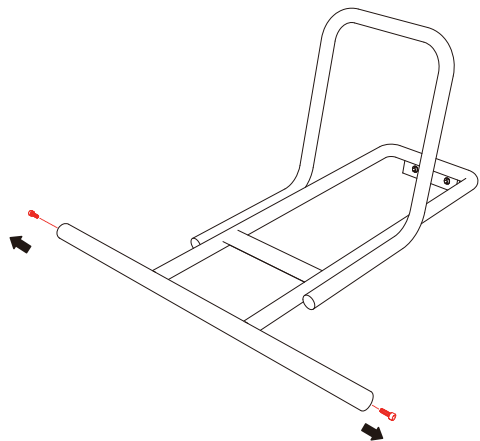


### ① Install the Armrest

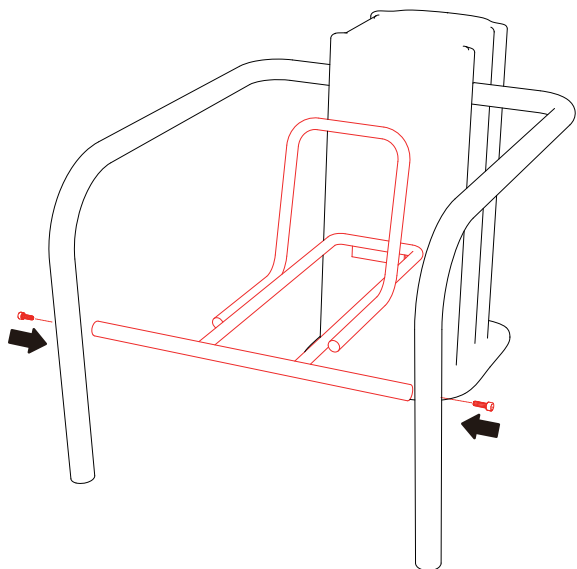


Place the washer and nut onto the screw respectively, then tighten them.

2 Attach the bracket

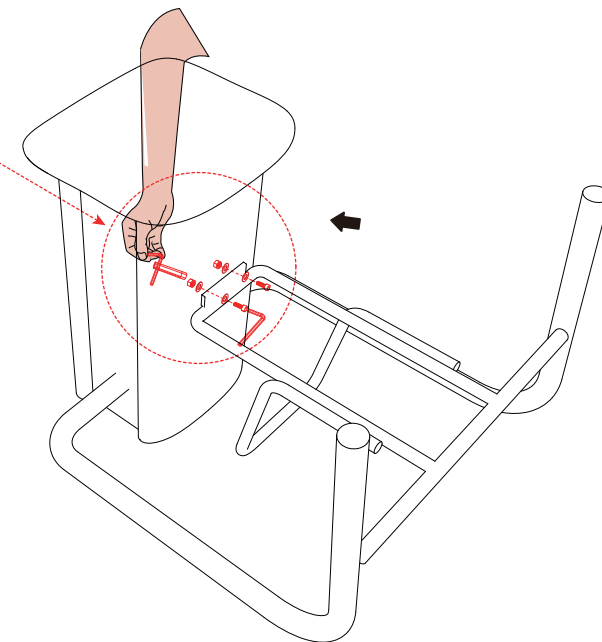
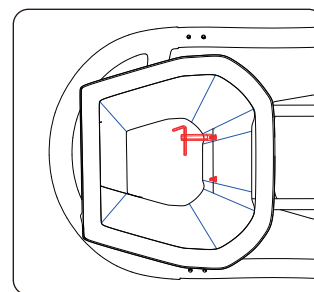
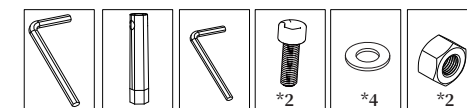
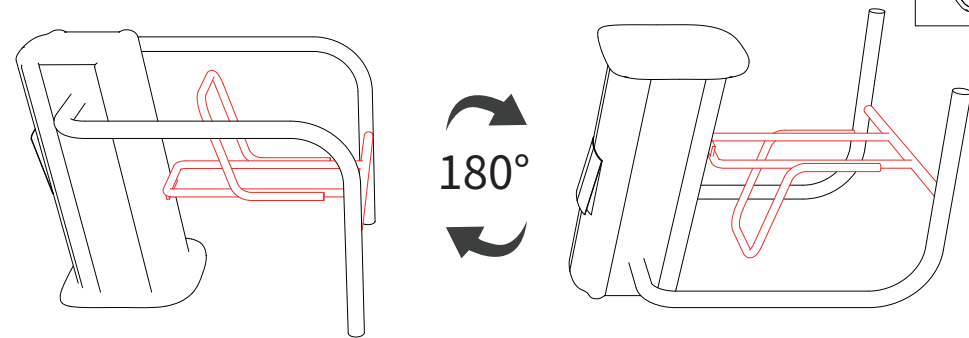


2-1. Remove the two pre-installed screws from both sides of part A.



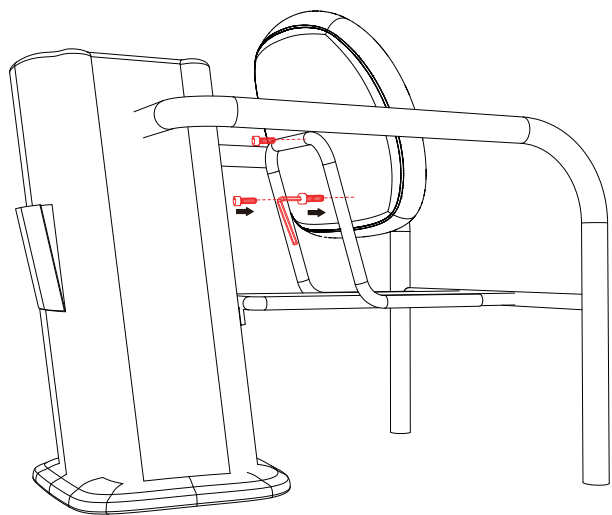
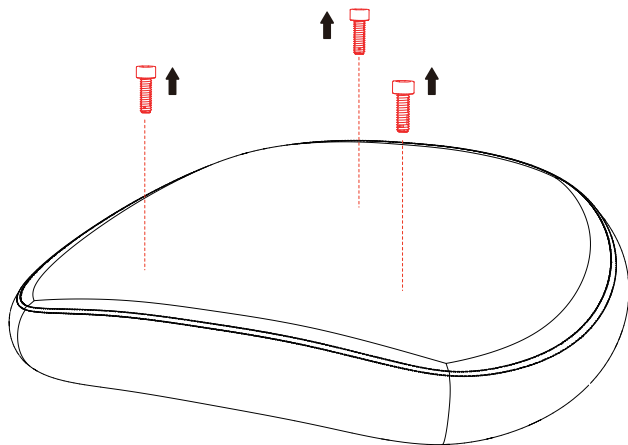
2-2. Insert both ends of part A into the screw holes of part B, insert the screws removed in the first step, and tighten them.

3 Attach A and I



3-1. Align the screw holes on A and I, insert the screws, and tighten the screws and nuts.

4 Install the backrest

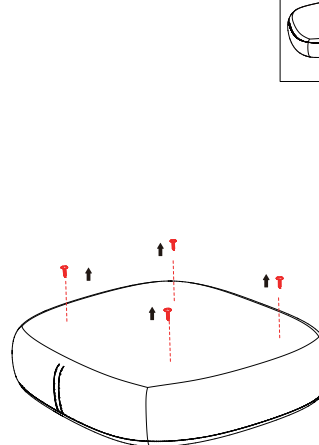


4-1. Remove the 3 pre-installed screws from the backrest.

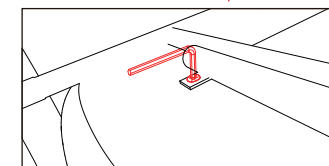
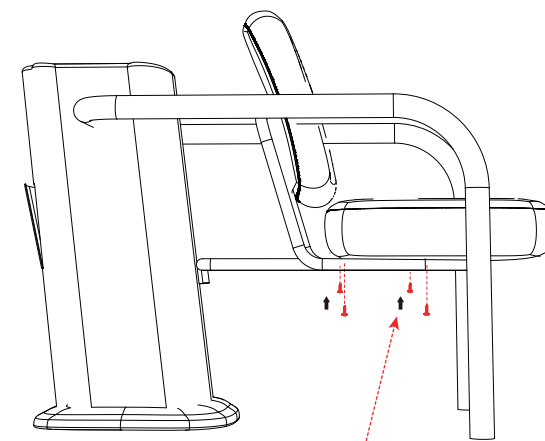
4-2. Align the screw holes on the backrest and part A, and insert the screws (do not tighten the screws yet).

4-3. Adjust the angle of the backrest, ensuring it is centered, and then tighten the 3 screws on the back.

5 Install the seat cushion



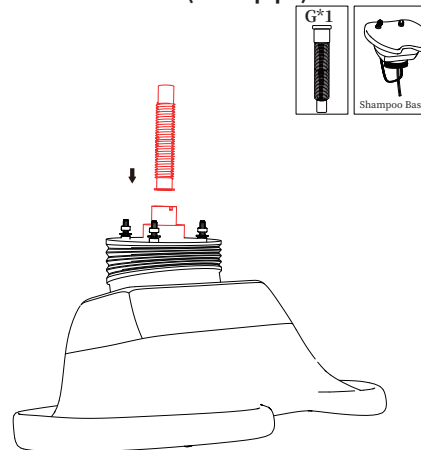
5-1. Remove the 4 pre-installed screws from the bottom of the seat cushion.



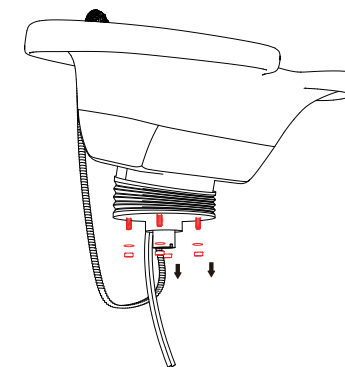
5-2. Align the screw holes on the seat cushion and part A, and insert the screws (do not tighten the screws yet).

5-3. Adjust the angle of the seat cushion, and then tighten the 4 screws at the bottom of the seat cushion.

6 Install the shampoo basin and G (drain pipe)



6-1. Attach G to the connection point on the shampoo basin.



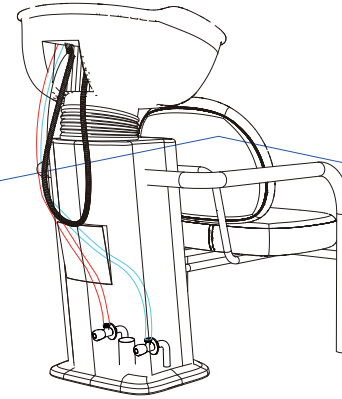
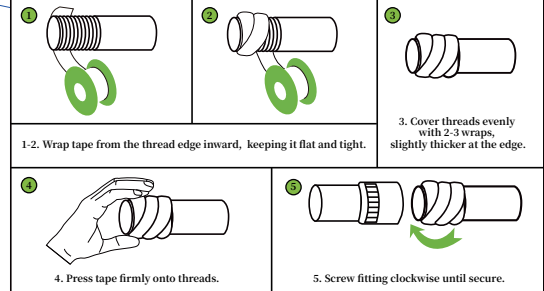
6-2. Remove the 4 pre-installed screws and washers from the shampoo basin.

# Chair Operation Guide

1-1. Below the water valve, there are two water pipes. One pipe can connect to the hot water outlet, and the other can connect to the cold water outlet (choose either one, no need to distinguish).

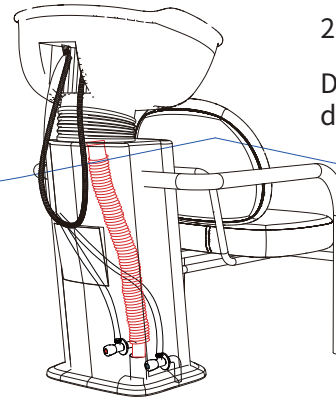
1-2. Adjust cold or hot water by rotating the valve left or right.

## Steps for Applying Teflon Tape to Pipe Threads:



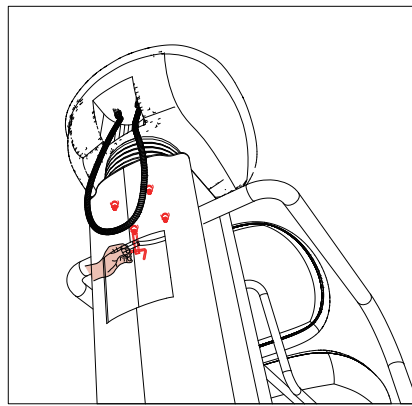
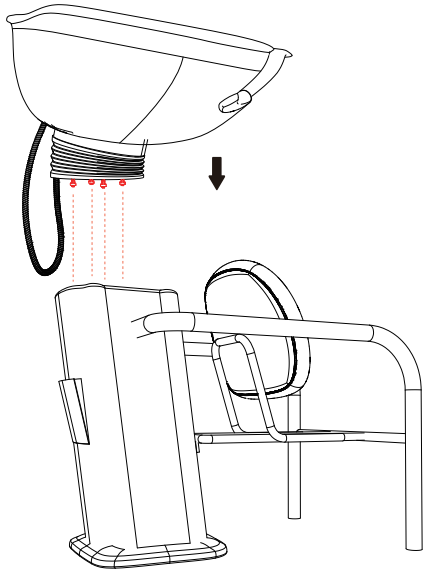
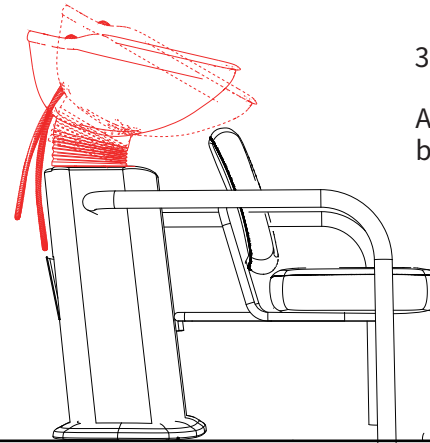
## 2. Drainage

Drainage can be conducted through the internal drainage pipe of the shampoo chair.



## 3. Adjusting the angle of the shampoo basin

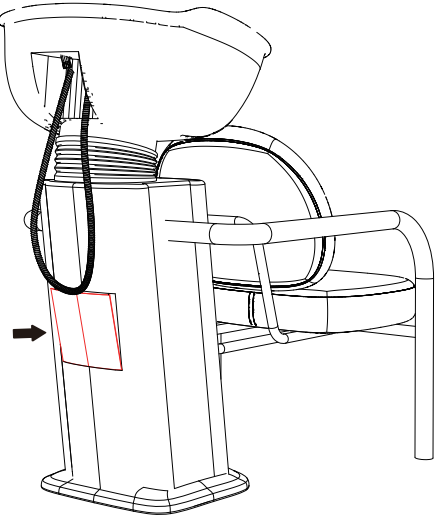
Adjust the angle of the shampoo basin by rotating it up and down.



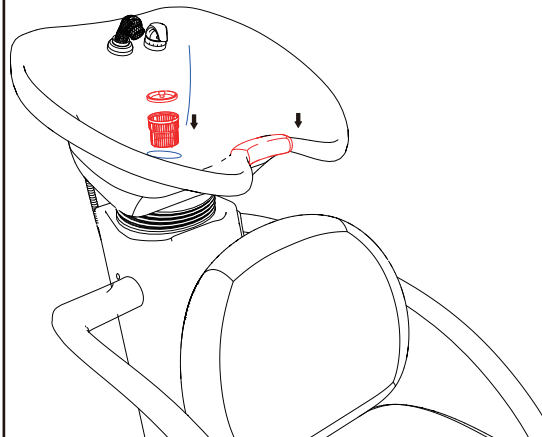
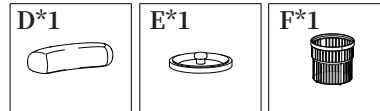
6-3. Insert the shampoo basin onto part I.

6-4. Through the side opening of I, reattach and tighten the washers and nuts removed in the previous step.

## 7 Install H onto part I.



## 8 Place D, E, and F onto the shampoo basin separately.



## Trouble and Solution

NO.	Trouble	Potential Issues	Solution
1	Missing screws.	Some screws are pre-installed.	Most screws are pre-installed on the chair's components. Please check again to see if there are screws in the screw holes on the chair's components.
2	Missing parts.	The chair is shipped in two packages.	If your chair is shipped in two separate packages, we will send you the tracking numbers for both packages via Amazon after the chair has been shipped. Please keep an eye out for them. The two packages may not arrive simultaneously.
3	Damaged	The chair leather, metal, and other accessories are damaged.	If you find any damage to the chair after receiving it, please do not rush to return it. Please contact us and provide pictures of the damage in your message so that we can quickly identify the required parts. We will promptly send you the replacement parts.
4	Other issues	Contact Us	If you have any further questions, please feel free to contact us at <a href="mailto:service@baashabeauty.com">service@baashabeauty.com</a> . In order for us to better understand and resolve the issue quickly, please provide relevant pictures or videos related to the problem in your email.

## WARNING:

ANY PACKING BAGS OF THIS PRODUCT ARE NOT TOYS. TO AVOID THE DANGER OF SUFFOCATION, KEEP AWAY FROM BABIES AND CHILDREN. DO NOT USE IN CRIBS OR BEDS.