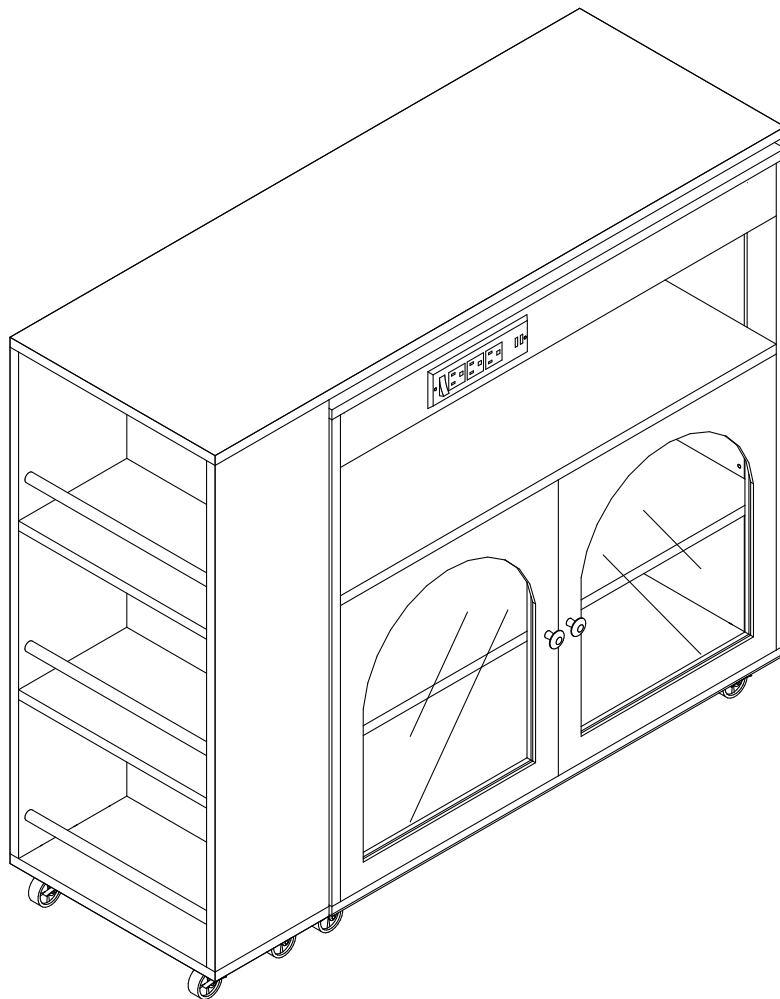
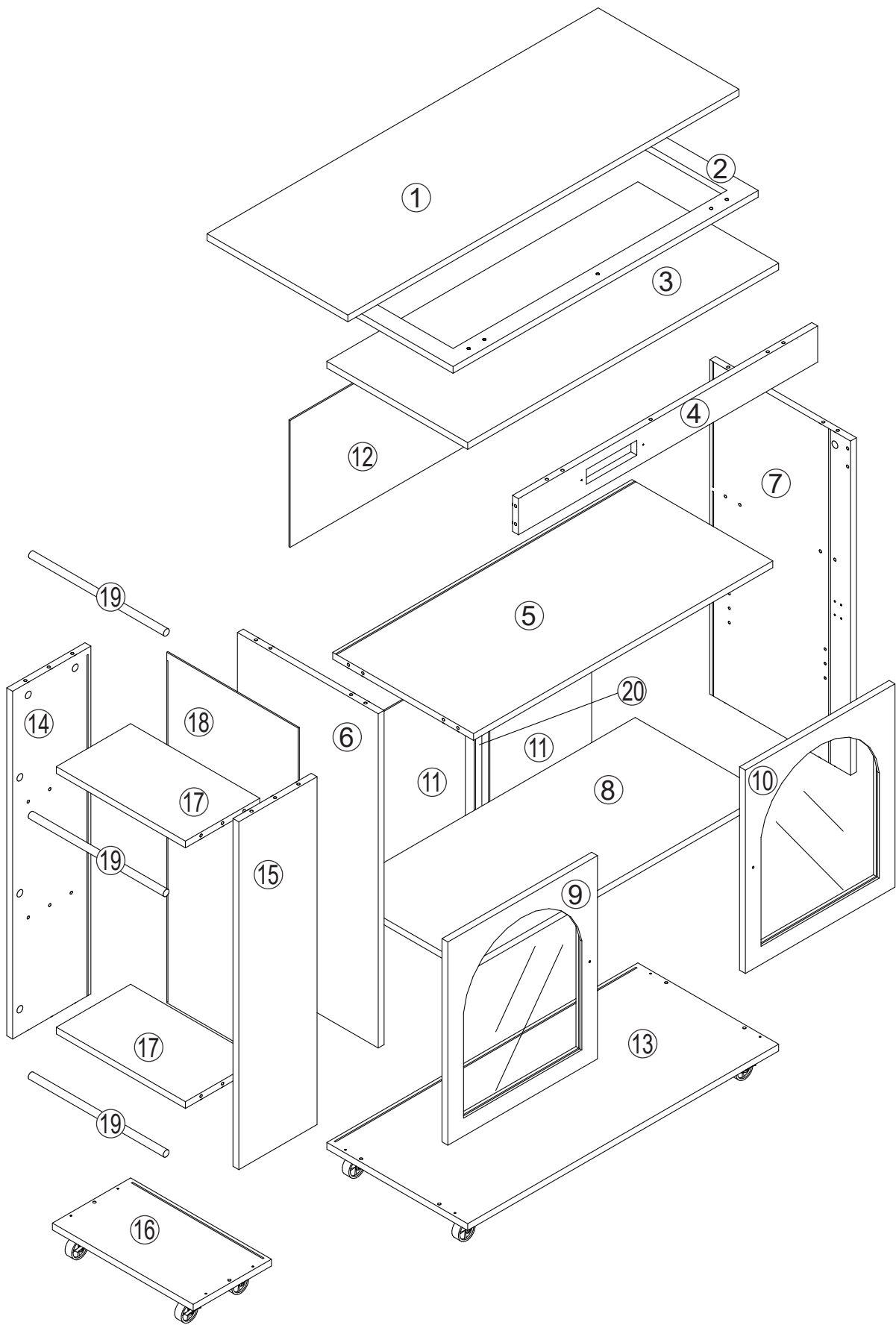
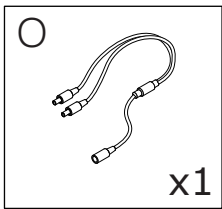
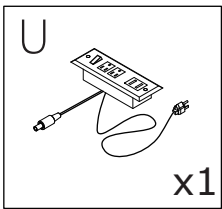
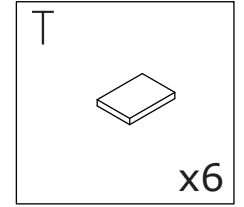
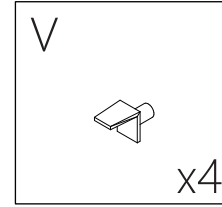
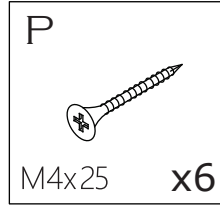
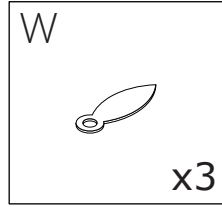
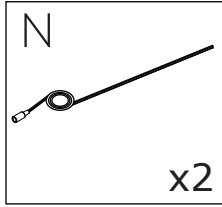
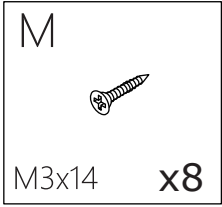
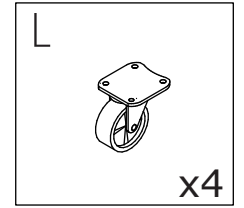
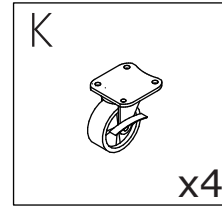
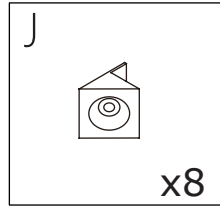
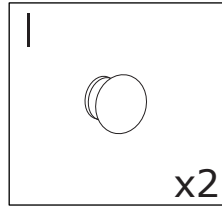
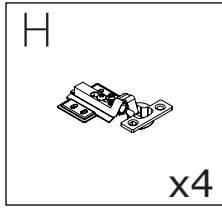
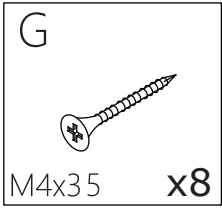
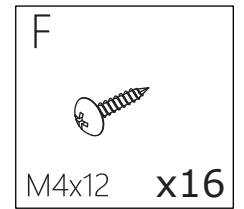
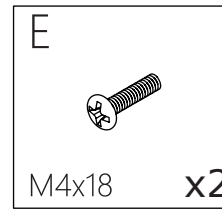
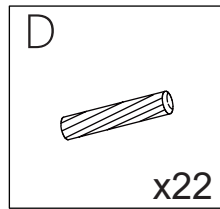
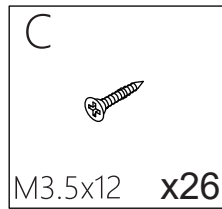
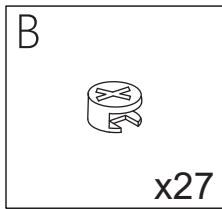
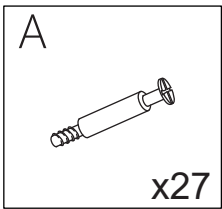


ASSEMBLY INSRTRUCTION

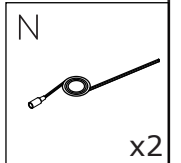
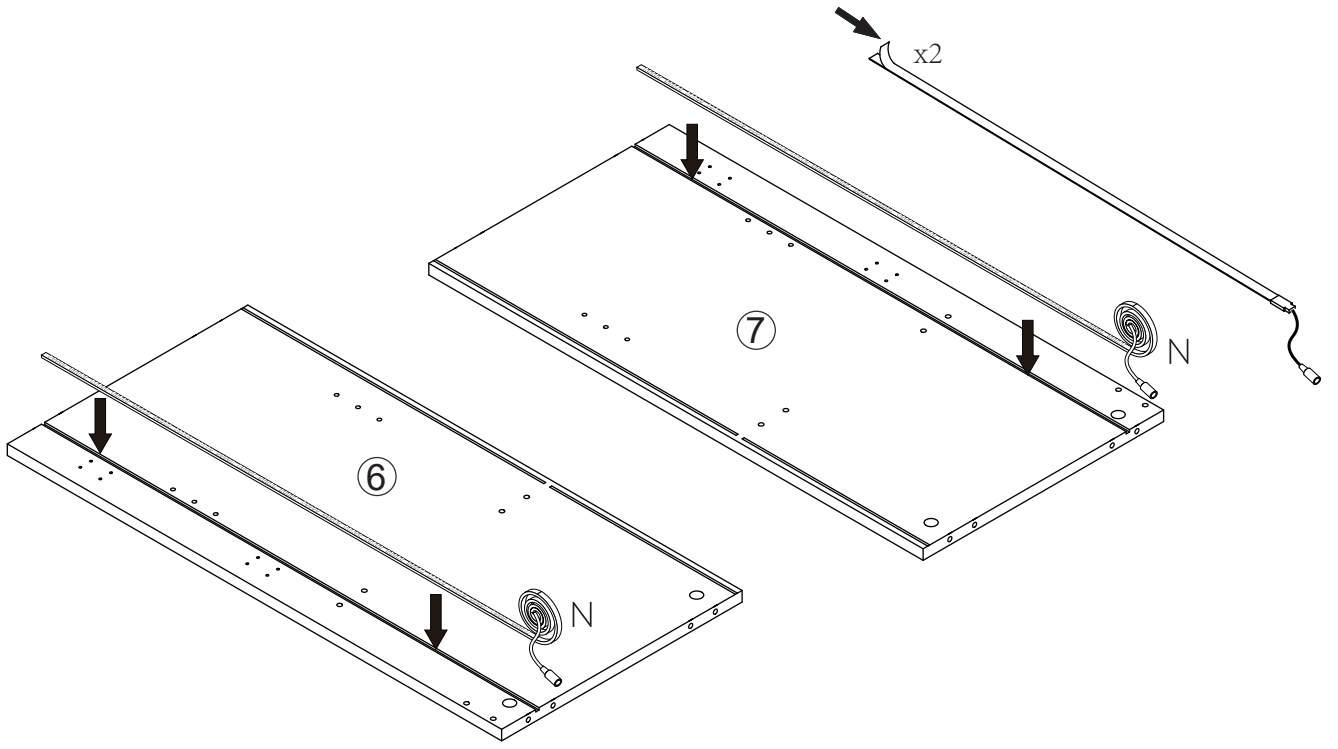
WF316018



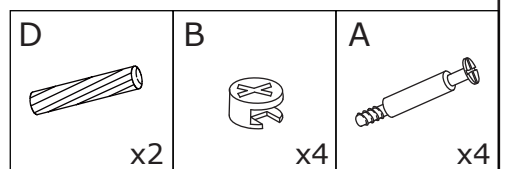
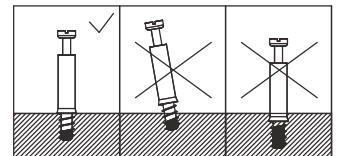
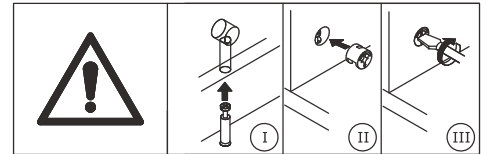
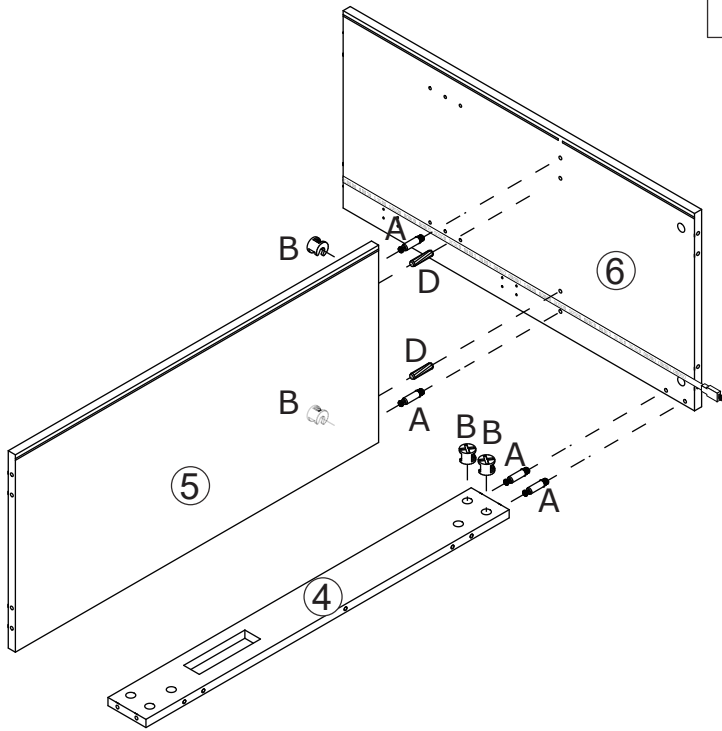




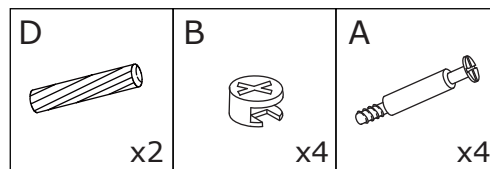
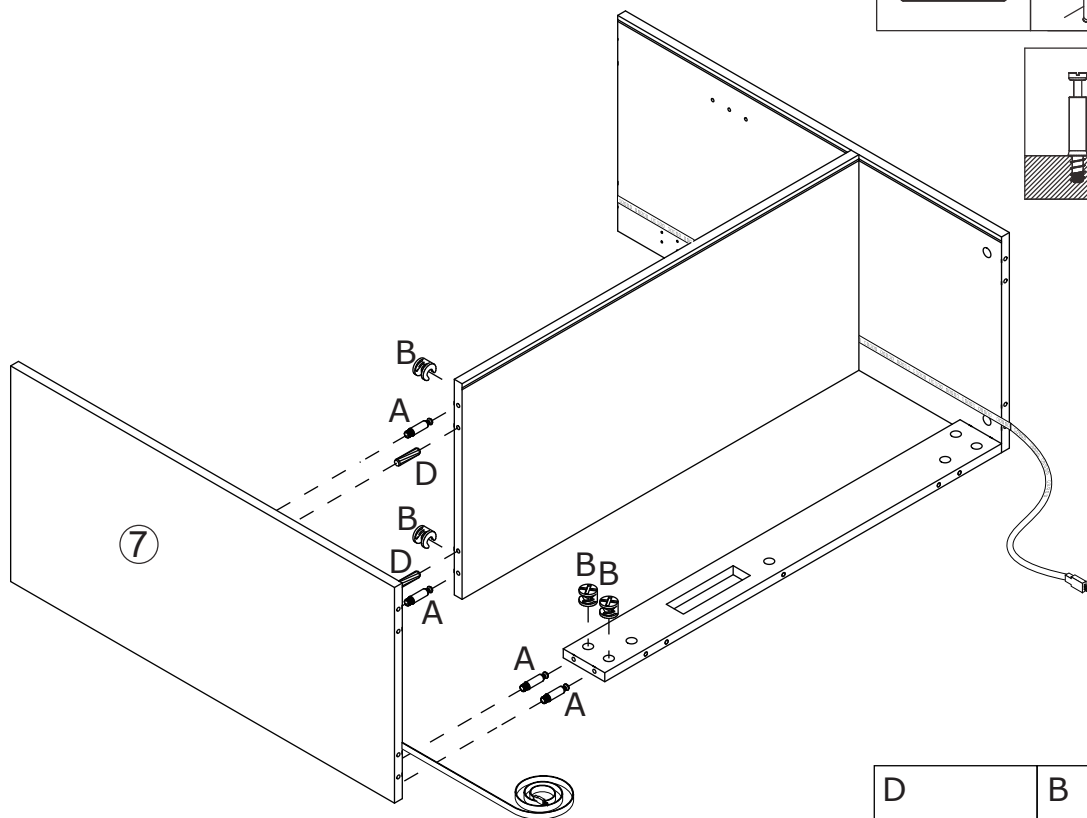
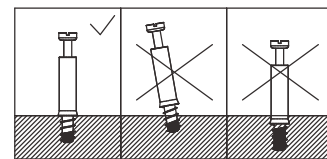
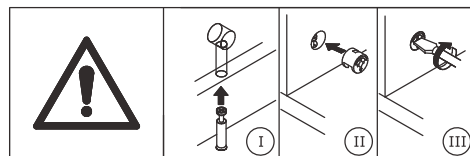
1



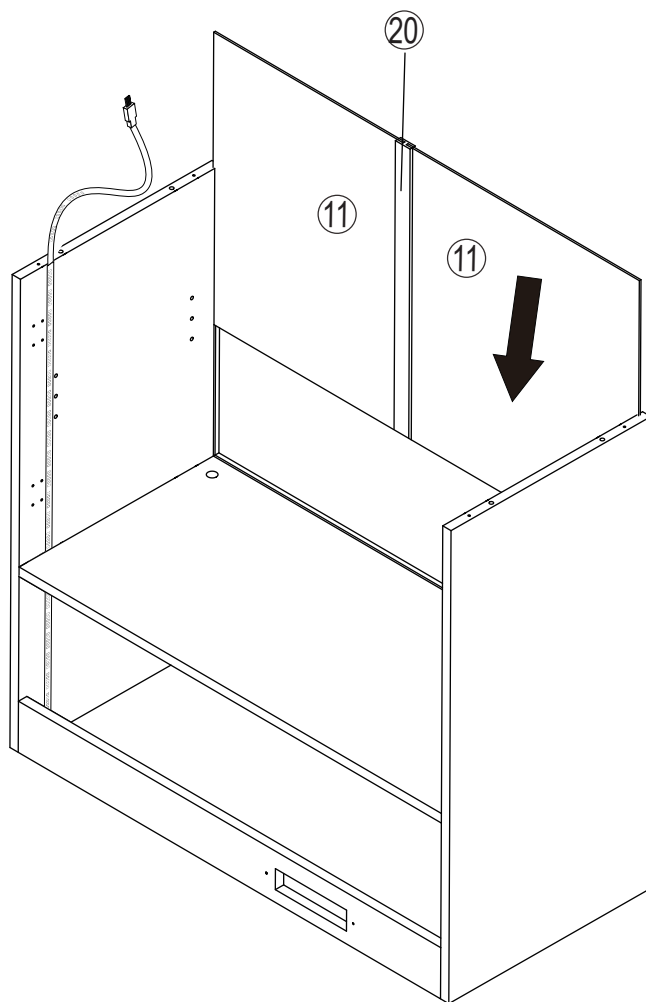
2



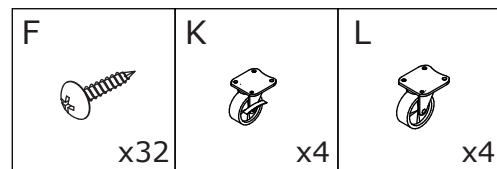
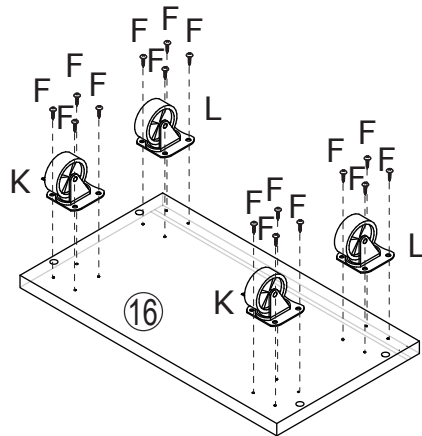
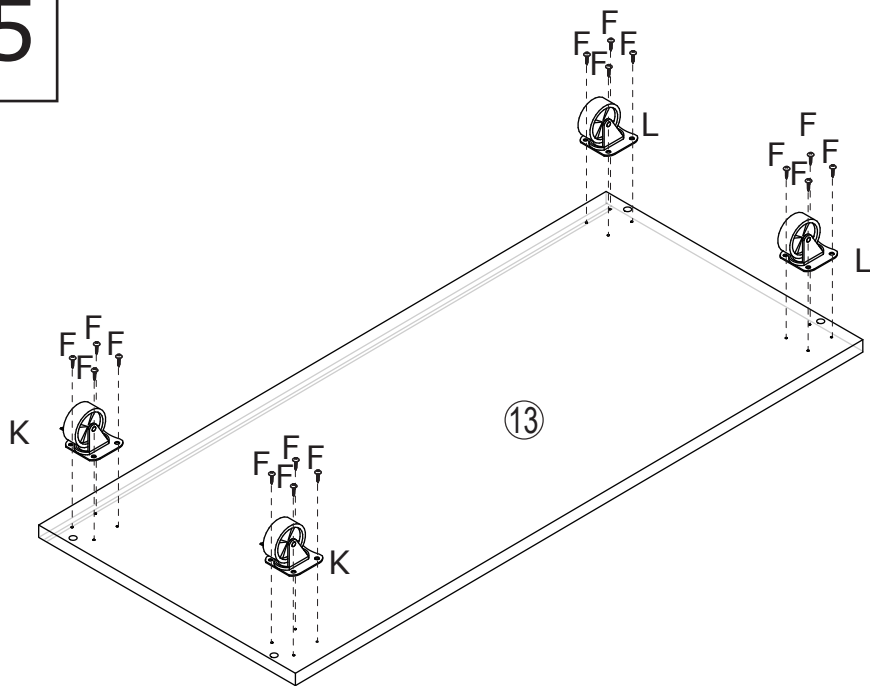
3



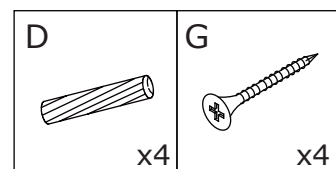
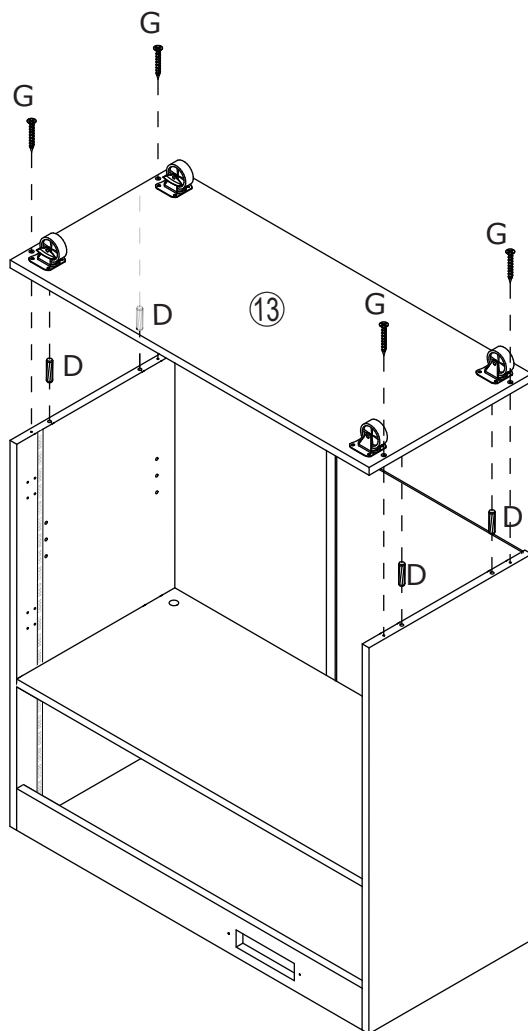
4



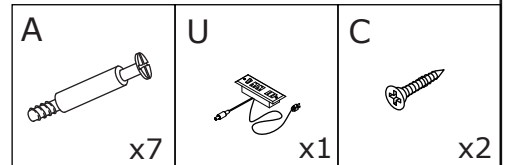
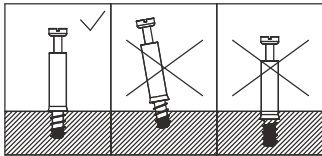
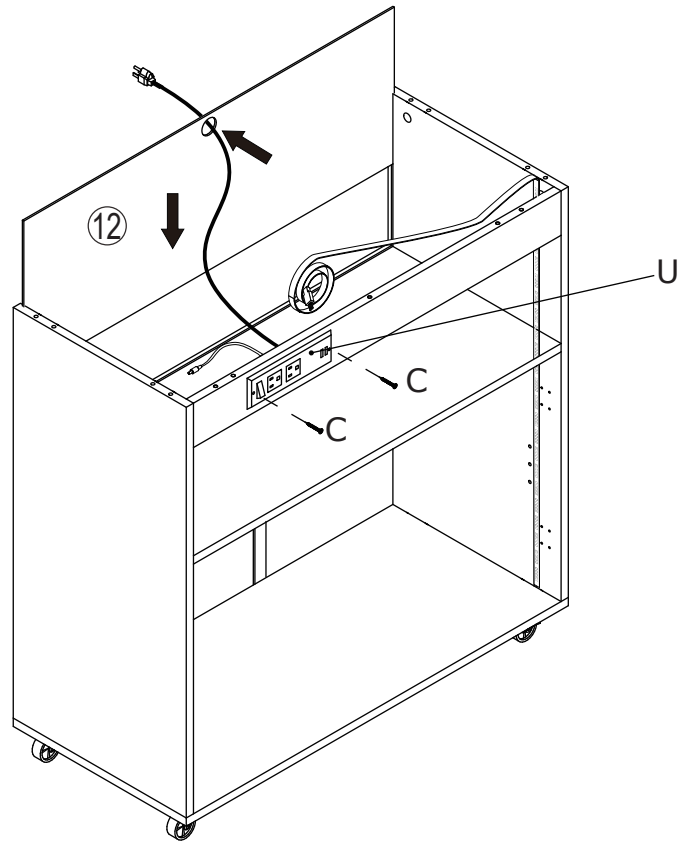
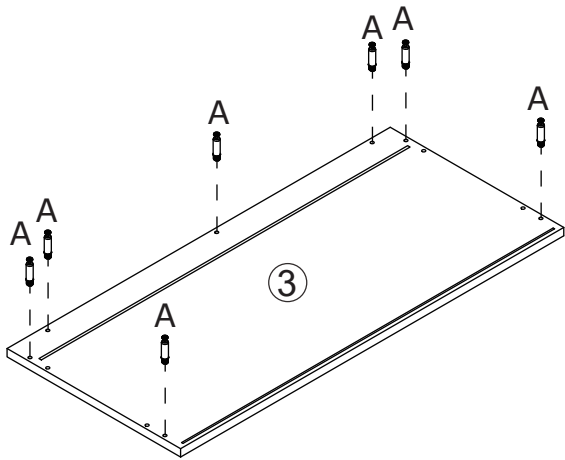
5



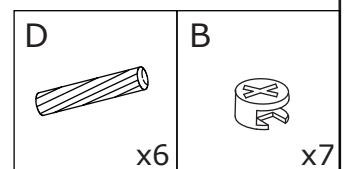
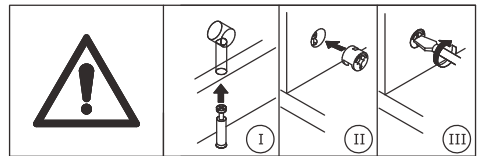
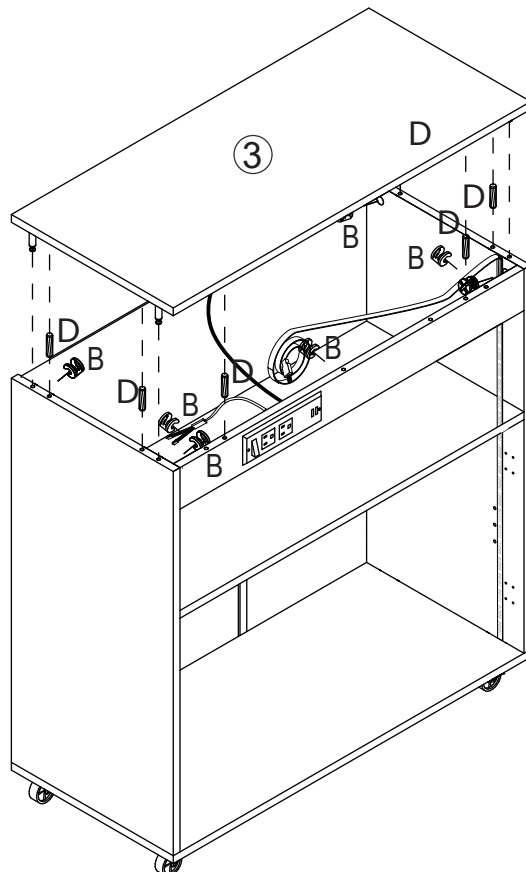
6



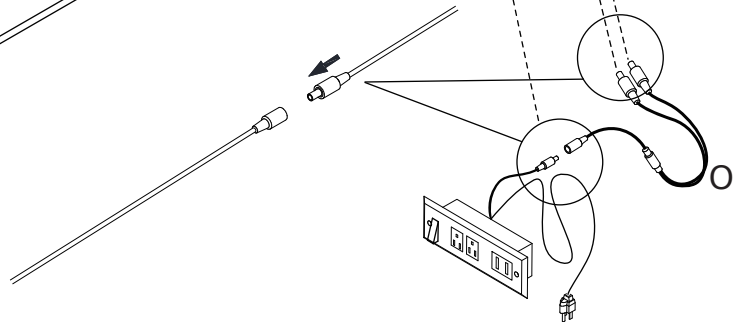
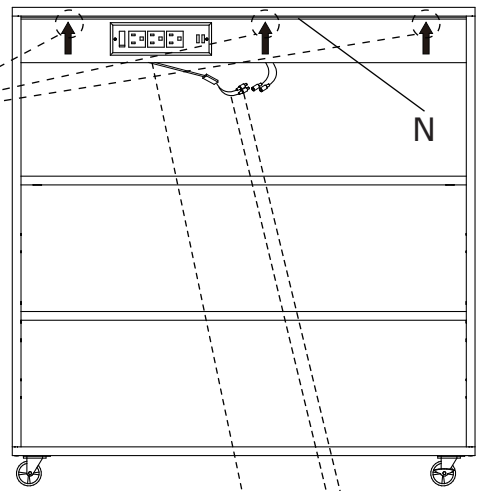
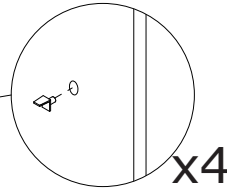
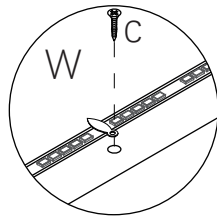
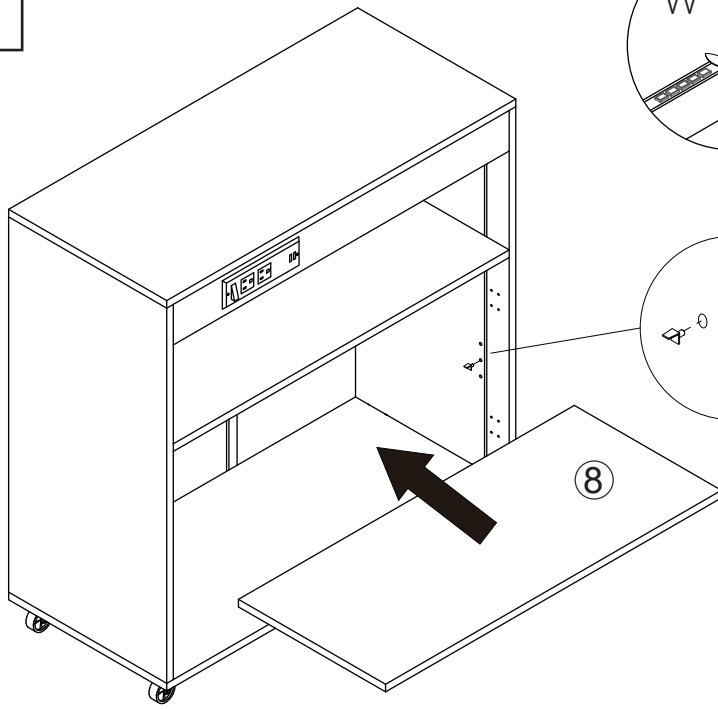
7



8

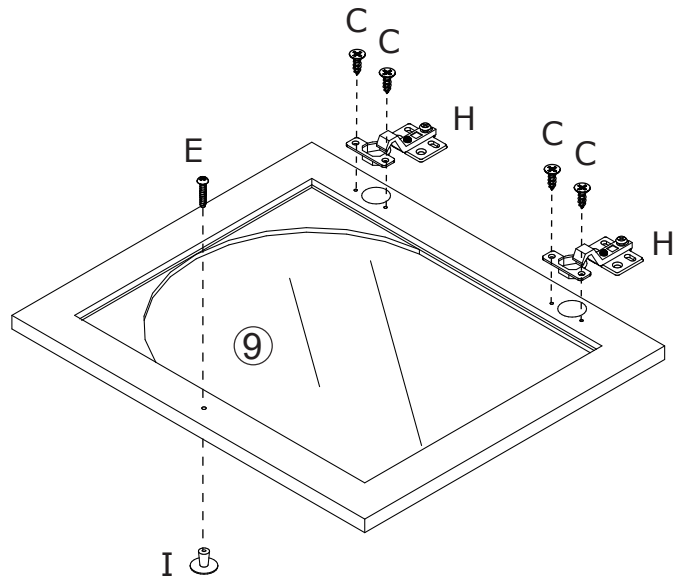
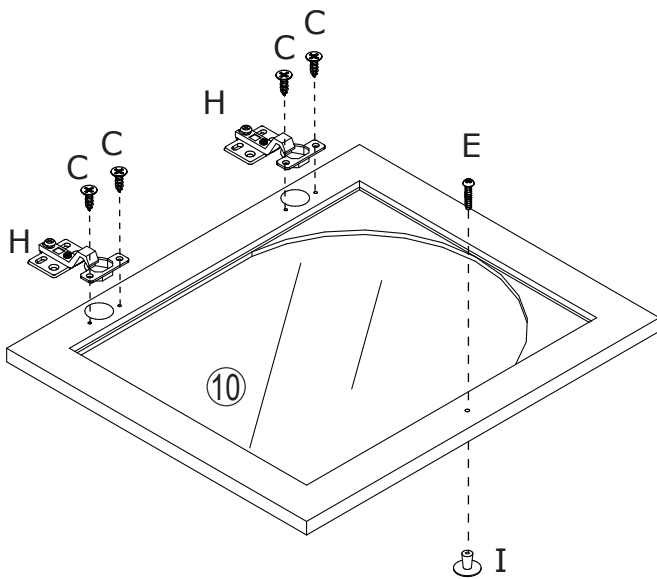


9



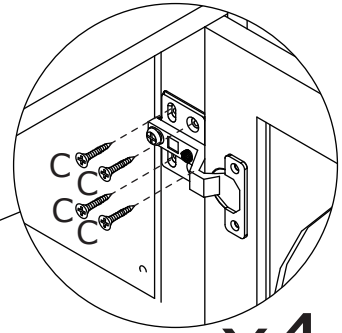
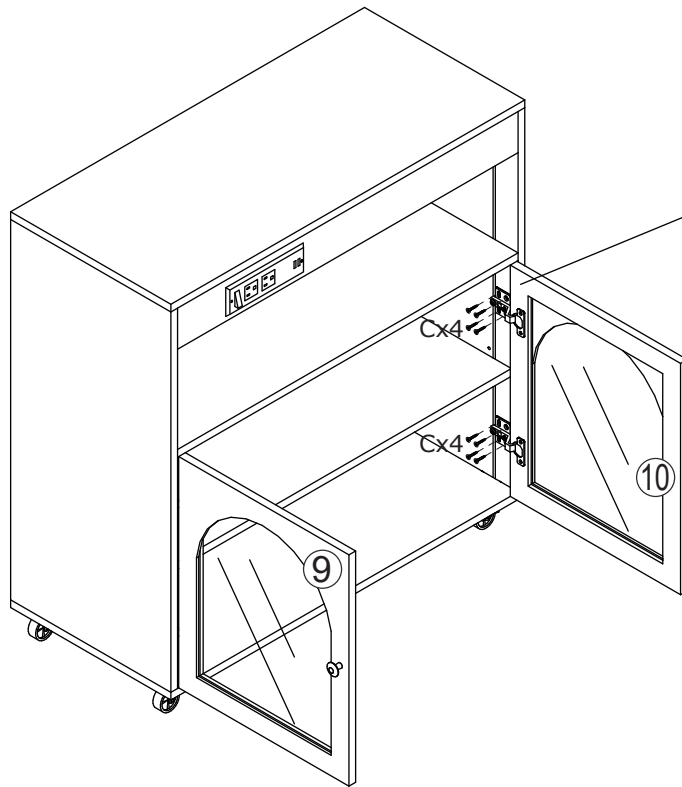
<p>O</p> <p>x1</p>	<p>C</p> <p>x3</p>	<p>W</p> <p>x3</p>	<p>V</p> <p>x4</p>
--------------------	--------------------	--------------------	--------------------

10



<p>C</p> <p>x8</p>	<p>E</p> <p>x2</p>	<p>I</p> <p>x2</p>	<p>H</p> <p>x4</p>
--------------------	--------------------	--------------------	--------------------

11



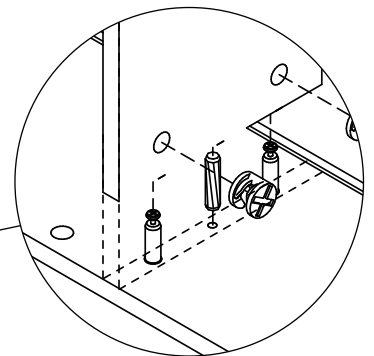
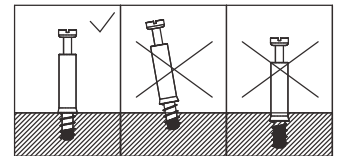
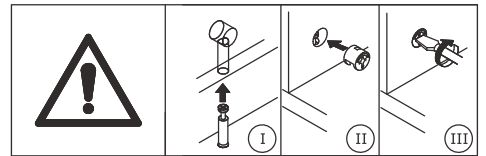
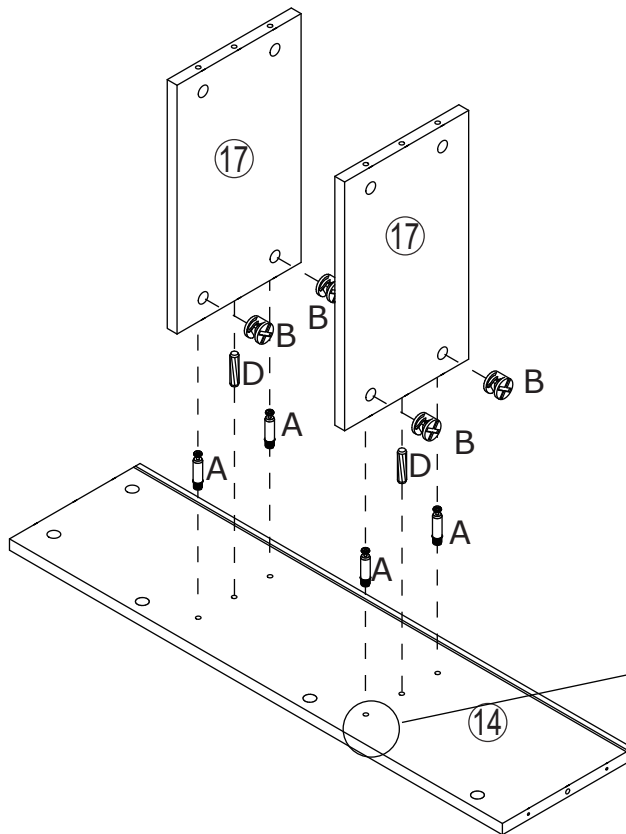
x4

C



x16

12



D



x2

B



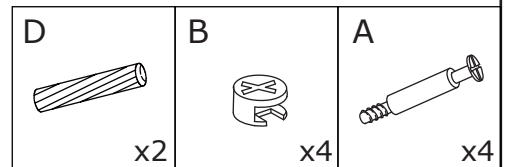
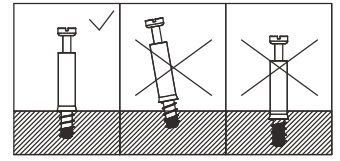
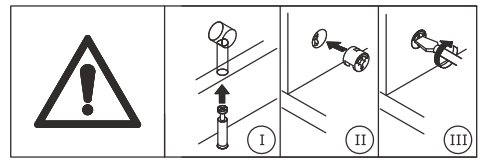
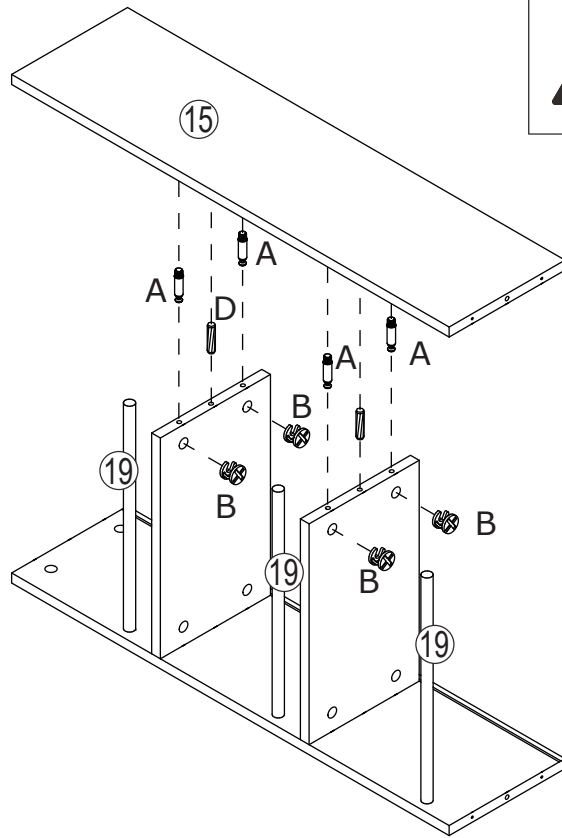
x4

A

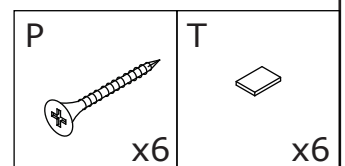
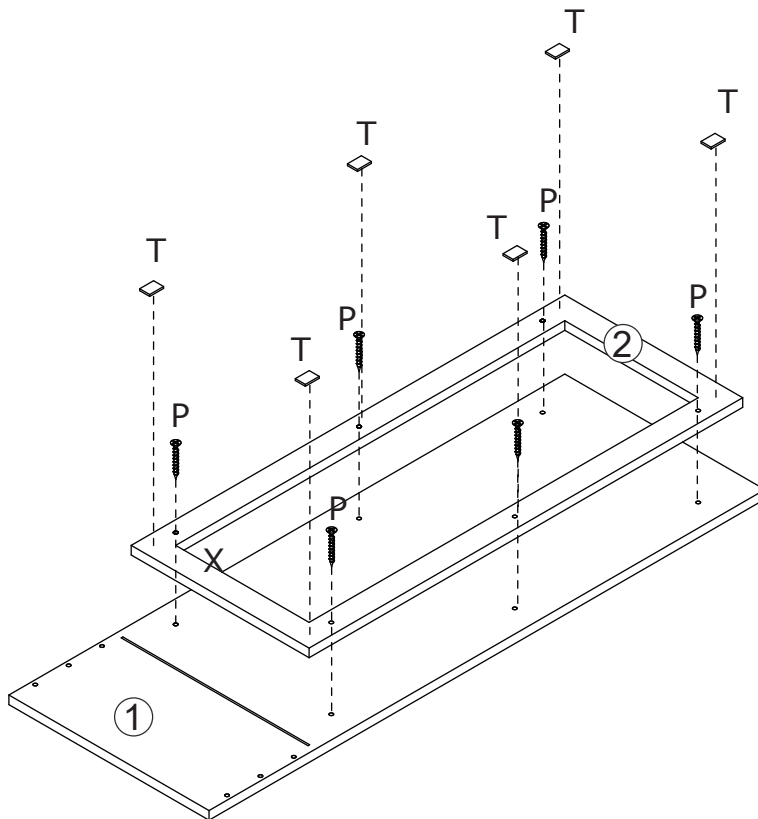


x4

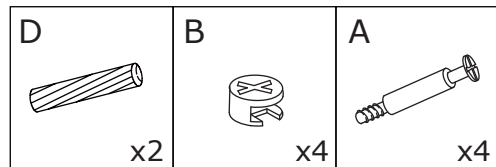
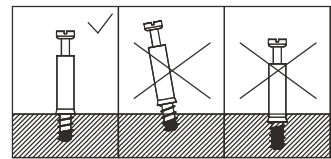
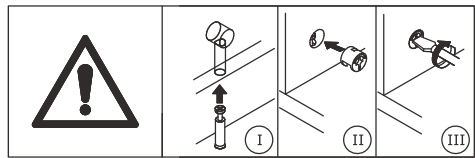
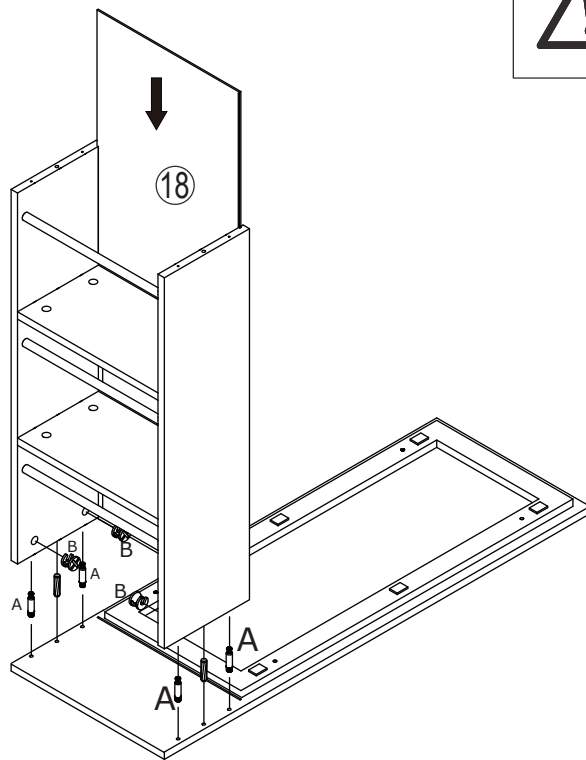
13



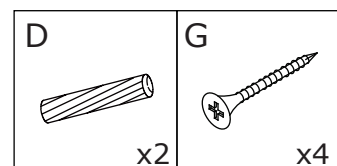
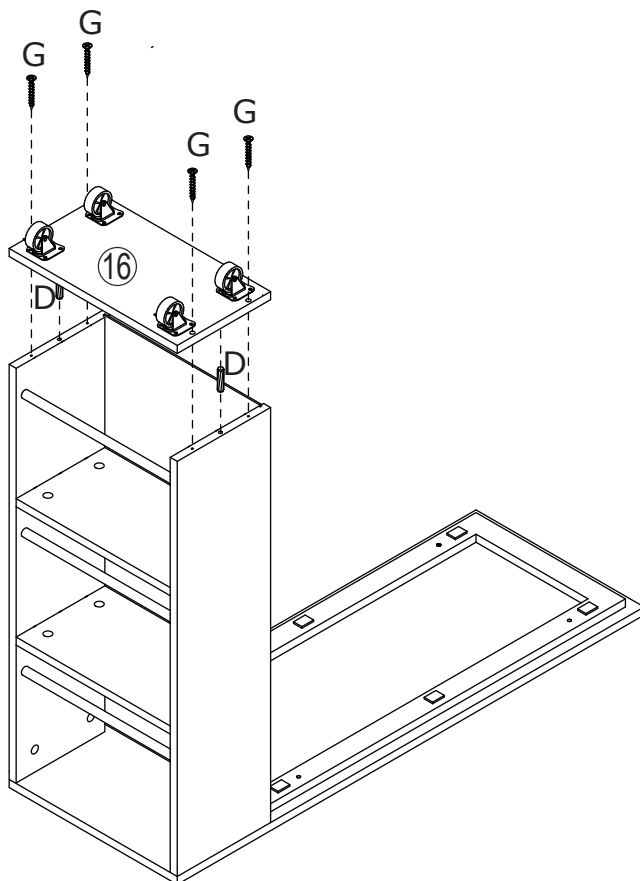
14



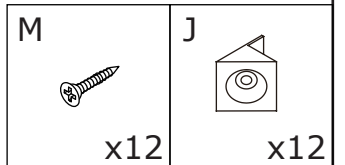
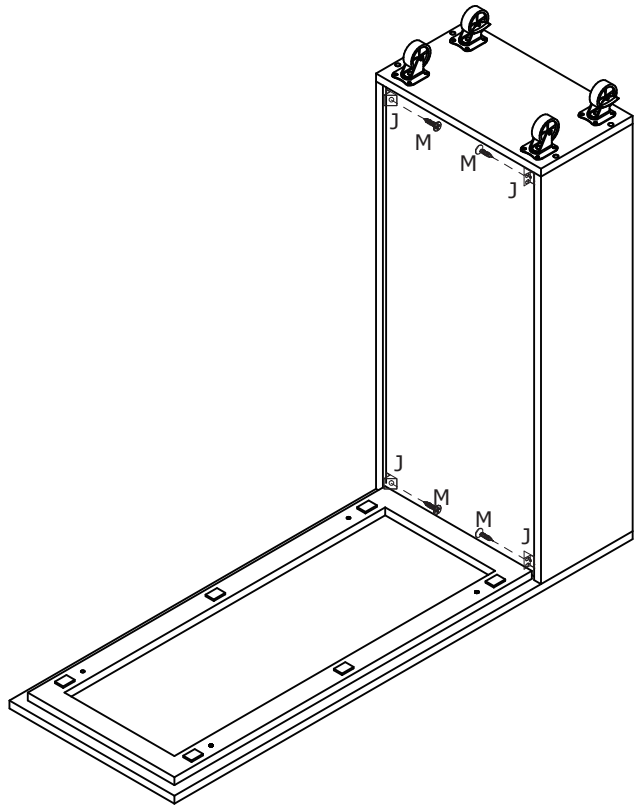
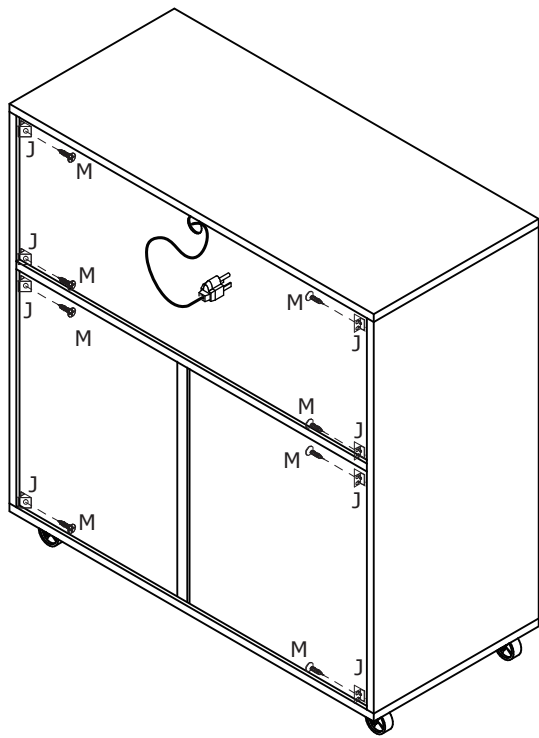
15



16



17



18

