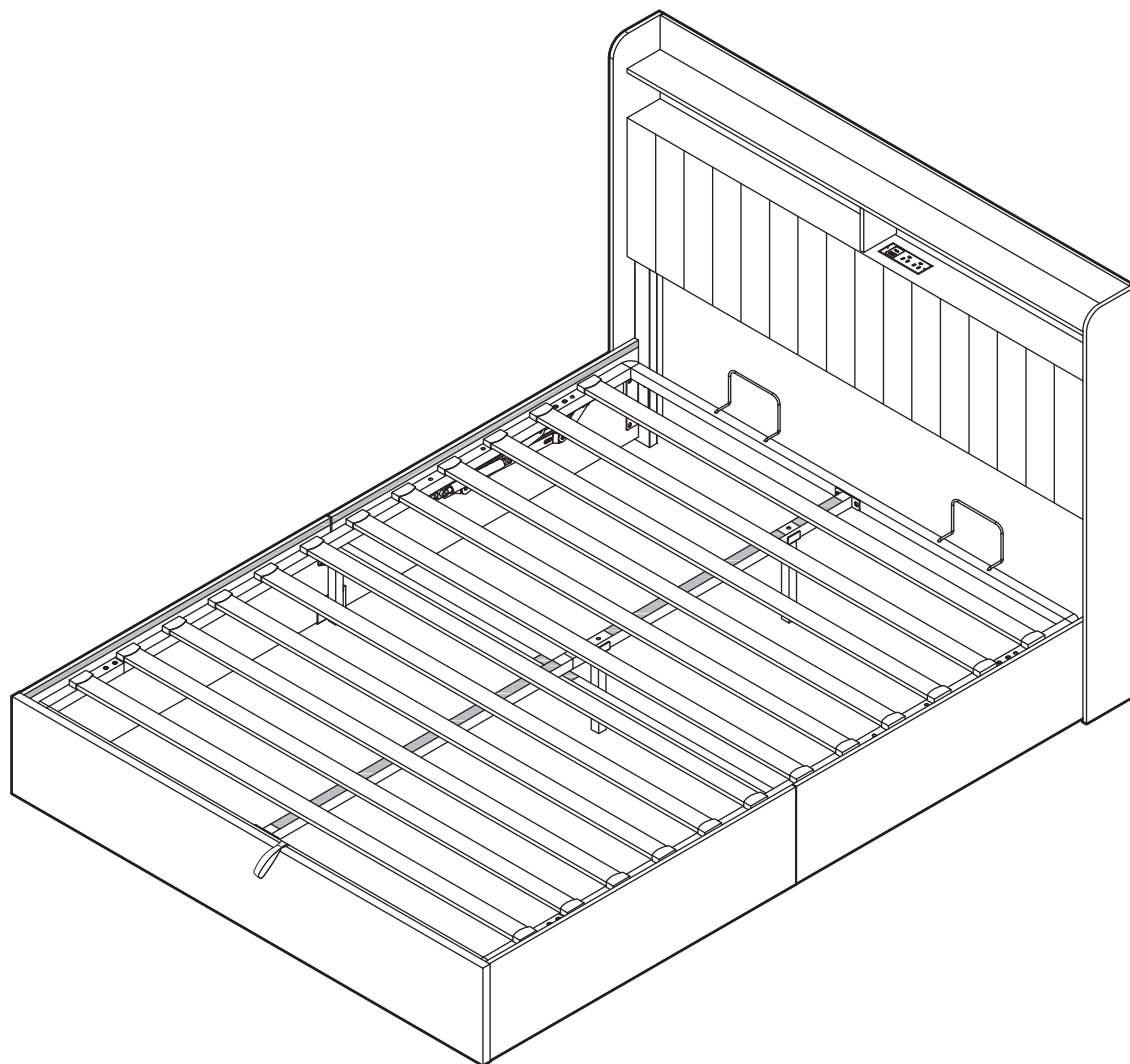


# PLATFORM BED KRQSCZW001

ORIGINAL INSTRUCTION MANUAL



PLEASE PAY ATTENTION TO THE PAGE 20&21&22

## DEAR CUSTOMER,

Thank you for choosing our product. Please read this manual carefully before assembling or using the product, to avoid damage caused by improper use. If the product is passed on to third parties, this manual has to be passed on along with the product. For any question don't hesitate to contact us.

# INFORMATION TO THE USER

Note: This equipment has been tested and found to comply with the limits for a Class B digital device, pursuant to part 15 of the FCC Rules. These limits are designed to provide reasonable protection against harmful interference in a residential installation. This equipment generates, uses and can radiate radio frequency energy and, if not installed and used in accordance with the instructions, may cause harmful interference to radio communications. However, there is no guarantee that interference will not occur in a particular installation. If this equipment does cause harmful interference to radio or television reception, which can be determined by turning the equipment off and on, the user is encouraged to try to correct the interference by one or more of the following measures:

- Reorient or relocate the receiving antenna.
- Increase the separation between the equipment and receiver.
- Connect the equipment into an outlet on a circuit different from that to which the receiver is connected.
- Consult the dealer or an experienced radio/TV technician for help.

Important: Change or modifications not expressly approved by the manufacturer responsible for compliance could void the user's authority to operate the equipment.

WARNING: This device complies with Part 15 of the FCC Rules. Operation is subject to the following two conditions: (1) This device may not cause harmful interference, and (2) This device must accept any interference received, including interference that may cause undesired operation.

## CHARGER STATION INSTRUCTION

Please see instruction manual and keep observed safety notes before use.

Technical Data: Especially notice the following data if this product is used outside of the U.S.A.

125V~ 60Hz 12A

USB-A/C Out:5V==3A,Total Out:5V==3A Max

Caution: Risk of electric shock-Do not open. For indoor use only.

### General

To comply with the published safety standards, the following must be observed when using this power supply.

1. For information technology equipment and office equipment use only.
2. The output power taken from the supply must not exceed the rating given on the power supply.
3. The charger is not intended to be repaired by service personnel in case of failure or component defect (unit can be thrown away).
4. The external flexible cable or terminal of this charger cannot be replaced; If the cord is damaged, the transformer should be scrapped.
5. The disconnection from line voltage is made by pulling the mains plug.
6. The socket-outlet shall be installed near the equipment and shall be easily accessible.
7. DISPOSAL: Do not dispose this product as unsorted municipal waste. Collection of such waste separately for special treatment is necessary.
8. For connection to a supply not in the U.S.A., use an attachment plug adapter of the proper configuration for the power outlet, if needed.

# WARNING



Read these instructions carefully and retain them for future use.  
If this product is passed to a third party, then these instructions must be included.

**⚠ WARNING** To reduce the risk of burns, fire, electric shock, or injury to persons:

- Read all instructions before using the furnishing.

**⚠ DANGER** To reduce the risk of electric shock; always unplug this-furnishing from the electrical outlet before cleaning or servicing.

**⚠ WARNING** Risk of injury! Keep children away from the foot support.

**⚠ CAUTION** Risk of injury and fire! Connect only to the furnishing specified in this instruction manual.

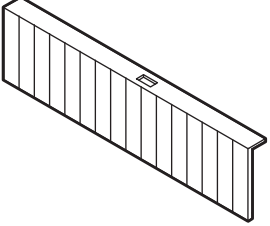
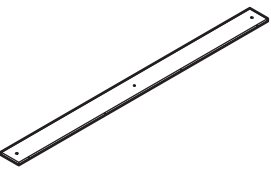
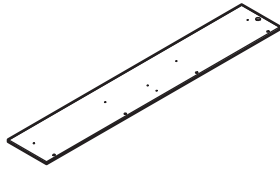
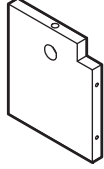
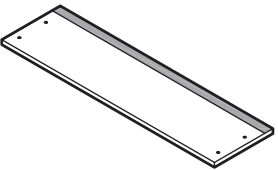
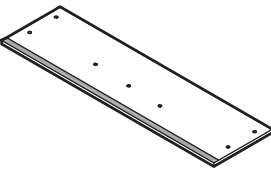
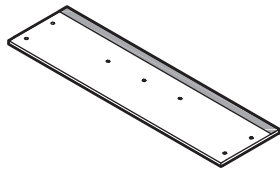
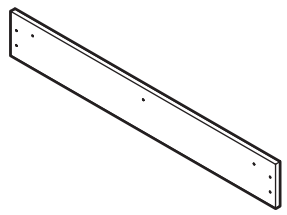


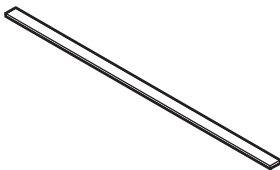
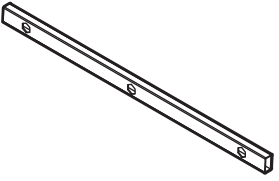
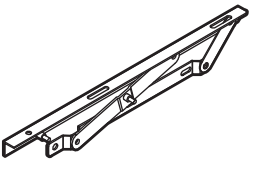
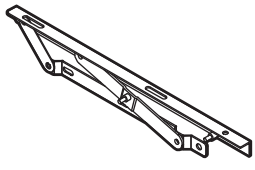
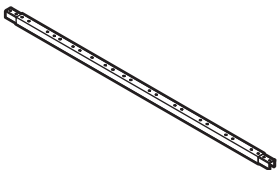
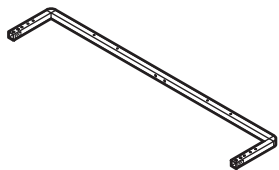
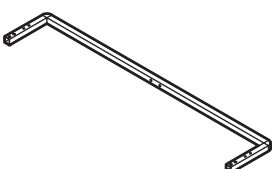
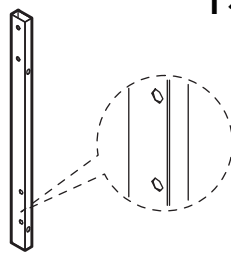
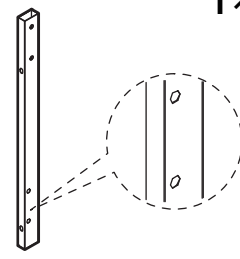
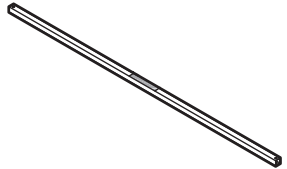
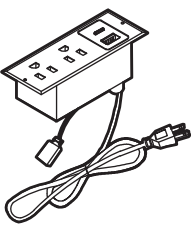
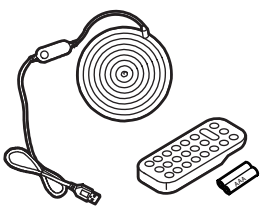
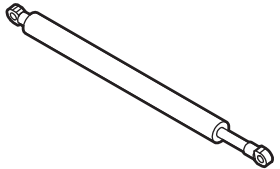
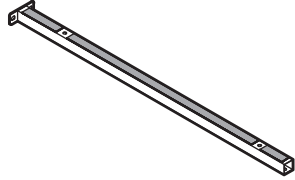
- Unplug from outlet before putting on or taking off parts.
- Close supervision is necessary when this furnishing is used by, or near children, invalids, or disabled persons.
- Use this furnishing only for its intended use as described in these instructions.  
Do not use attachments not recommended by the manufacturer.
- Never operate this furnishing if it has a damaged cord or plug, if it is not working properly, if it has been dropped or damaged, or dropped into water. Return the furnishing to a service center for examination and repair.
- Keep the cord away from heated surfaces.
- Never drop or insert any object into any opening.
- Do not use outdoors.
- Do not operate where aerosol (spray) products are being used or where oxygen is being administered.
- To disconnect, turn all controls to the off position, then remove plug from outlet.
- To reduce the risk of electric shock, this furnishing has a polarized plug (one blade is wider than the other). This plug will fit in a polarized outlet only one way. If the plug does not fit fully in the outlet, reverse the plug. If it still does not fit, contact a qualified electrician to install the proper outlet. Do not change the plug in any way.

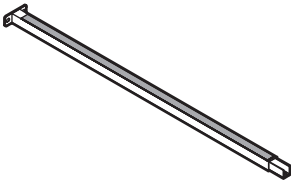



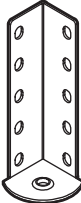
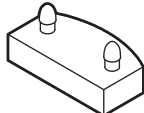
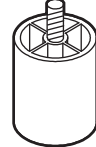
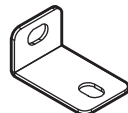
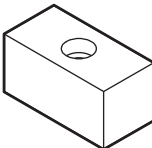
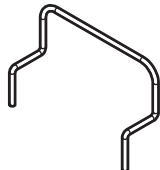

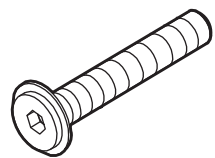
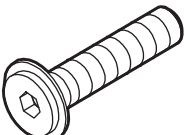
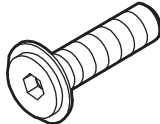
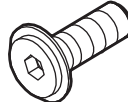
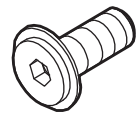
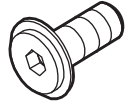


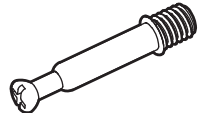

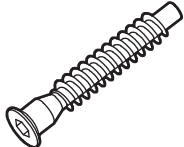
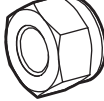
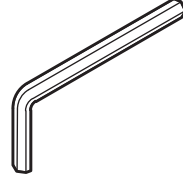
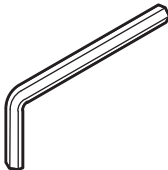
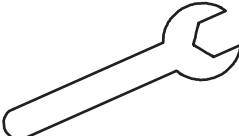
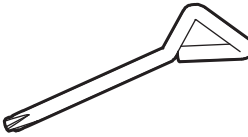
## Before First Use

- Check the furnishing for transport damages.
- Remove all the packing materials.
- Before connecting the furnishing to the power supply, check that the power supply voltage and current rating corresponds with the power supply details shown on the specifications.

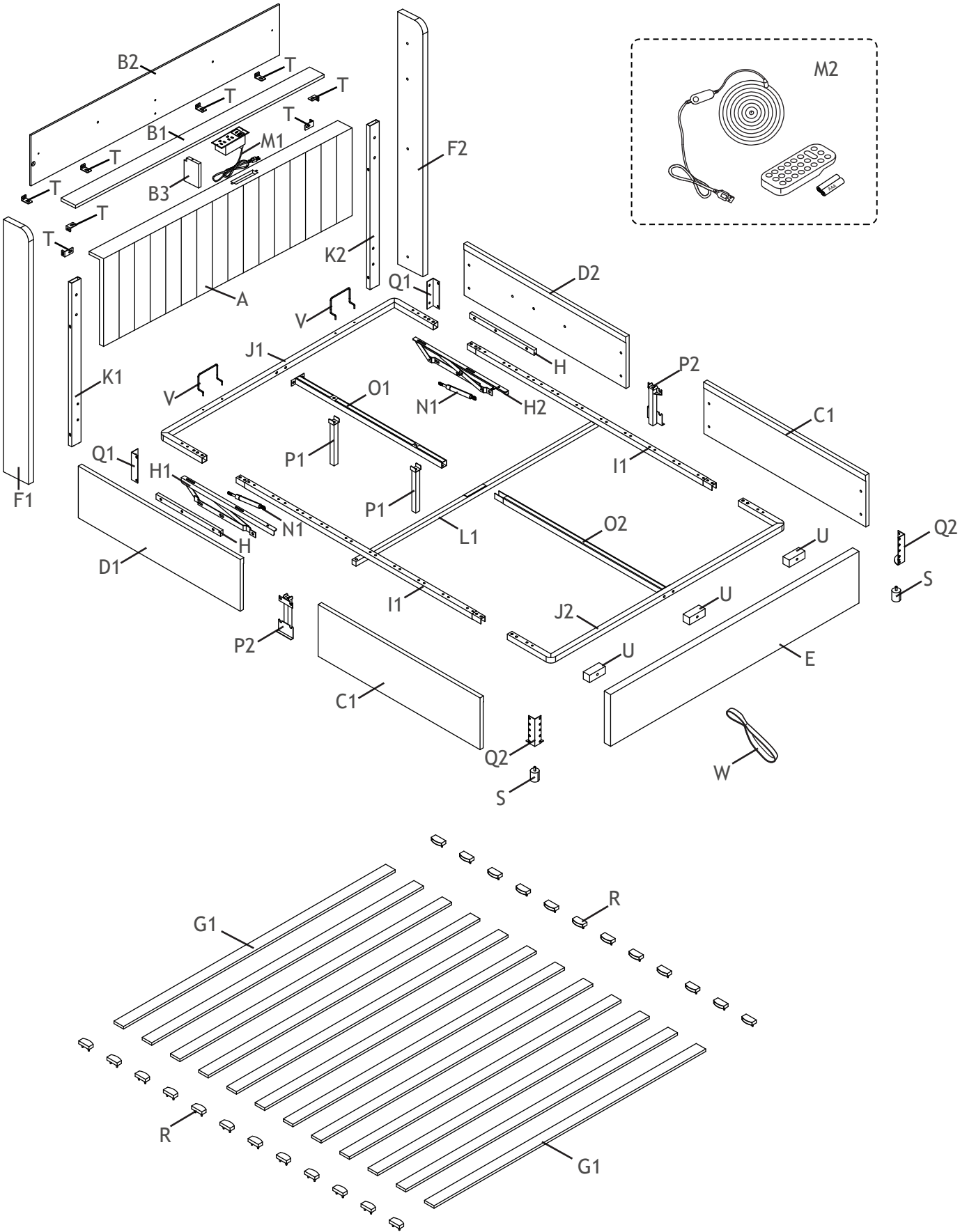
**⚠ DANGER** Risk of suffocation! Keep any packaging materials away from children - these materials are a potential source of danger, e.g. suffocation.

# PARTS LIST

A 	1×	B1 	1×	B2 	1×	B3 	1×
C1 	2×	D1 	1×	D2 	1×	E 	1×
F1 	1×	F2 	1×	G1 	12×	H 	2×
H1 	1×	H2 	1×	I1 	2×	J1 	1×
J2 	1×	K1 	1×	K2 	1×	L1 	1×
M1 	1×	M2 	1×	N1 	2×	O1 	1×

O2  1×	P1  2×	P2  2×	Q1  2×
Q2  2×	R  24×	S  2×	T  8×
U  3×	V  2×	W  1× Cloth stripe	X1  4× M8×63MM
X2  7× M8×50MM	X3  10× M8×45MM	X4  4× M8×30MM	X5  16× M8×25MM
X6  34× M8×14MM	X7  6× M8×10MM	X8  2× M3×15MM	Y1  1× Ø6×35MM
Y2  1× Ø15×10MM	Y3  6× Ø5×40MM	Y4  10× M8	Z1  1× M5
Z2  1× M3	Z3  1× M13	Z4  1× M5	

# EXPLODED VIEW

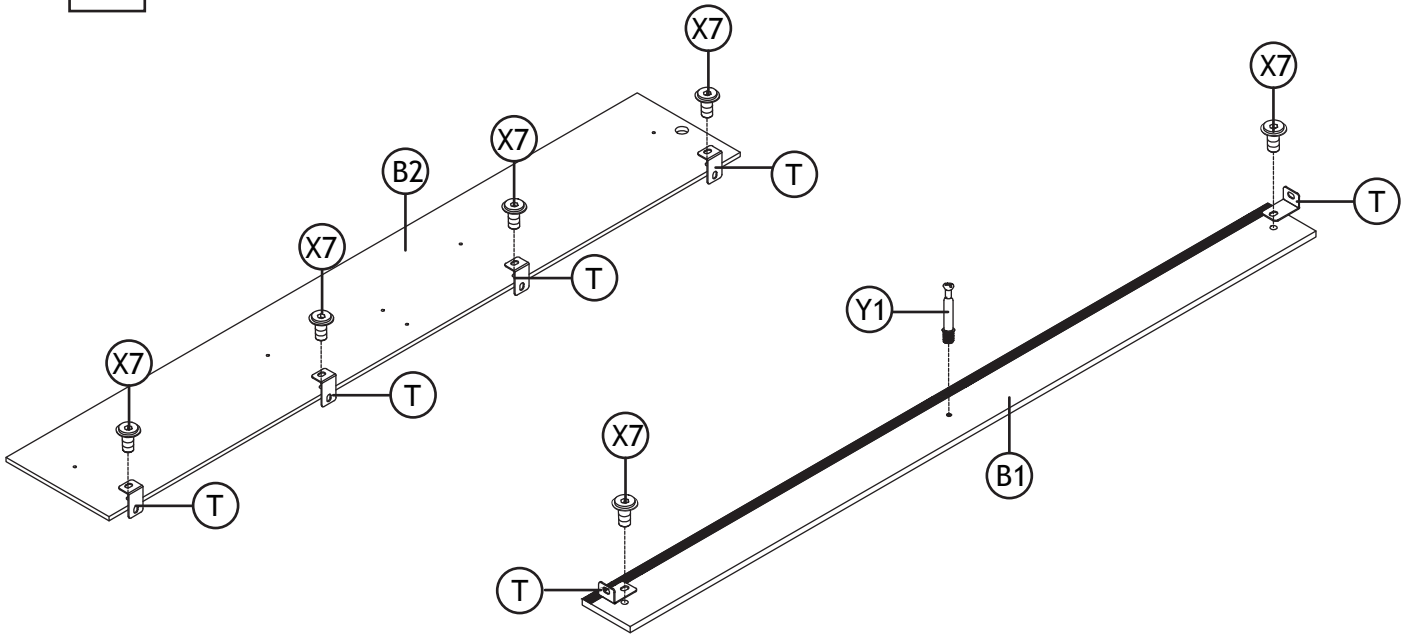


# ASSEMBLY

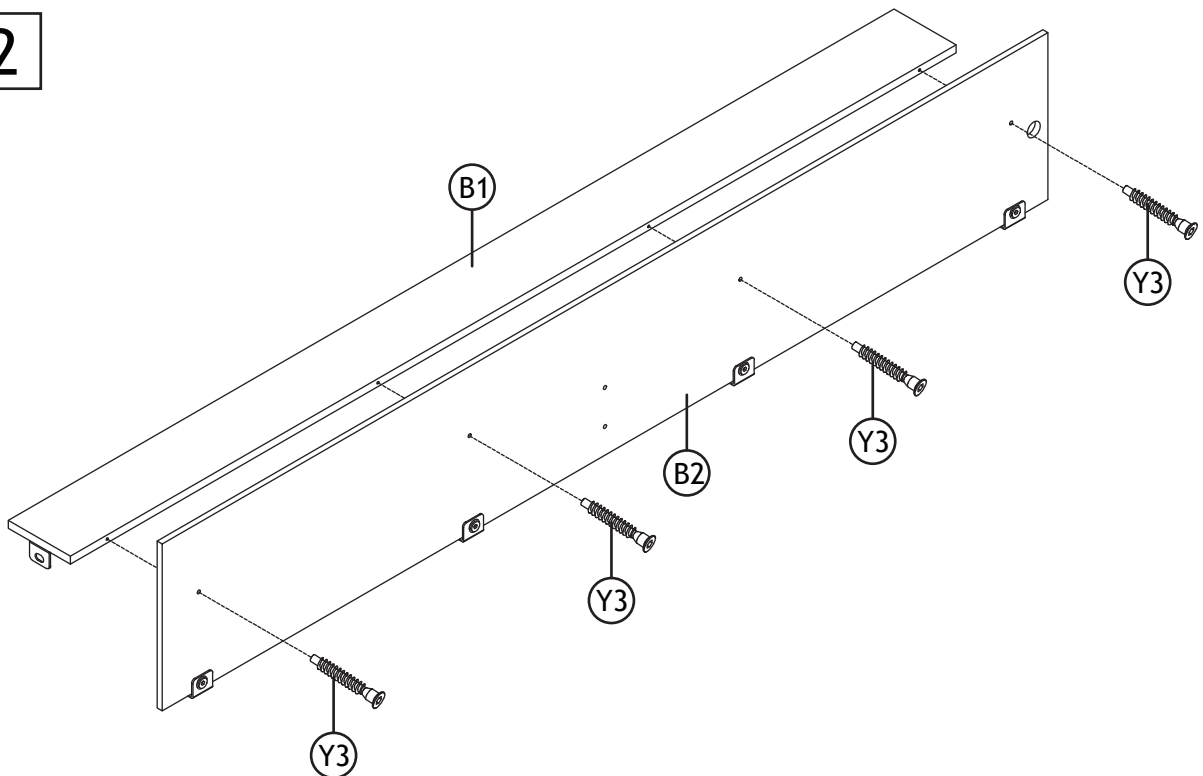
Before your installation, please make sure that you have all the parts listed on the manual. If you find something missing, stop installing and contact your supplier immediately.

**NOTE:** Only partially tighten hardware during assembly. Fully tighten all fasteners after completing the entire assembly.

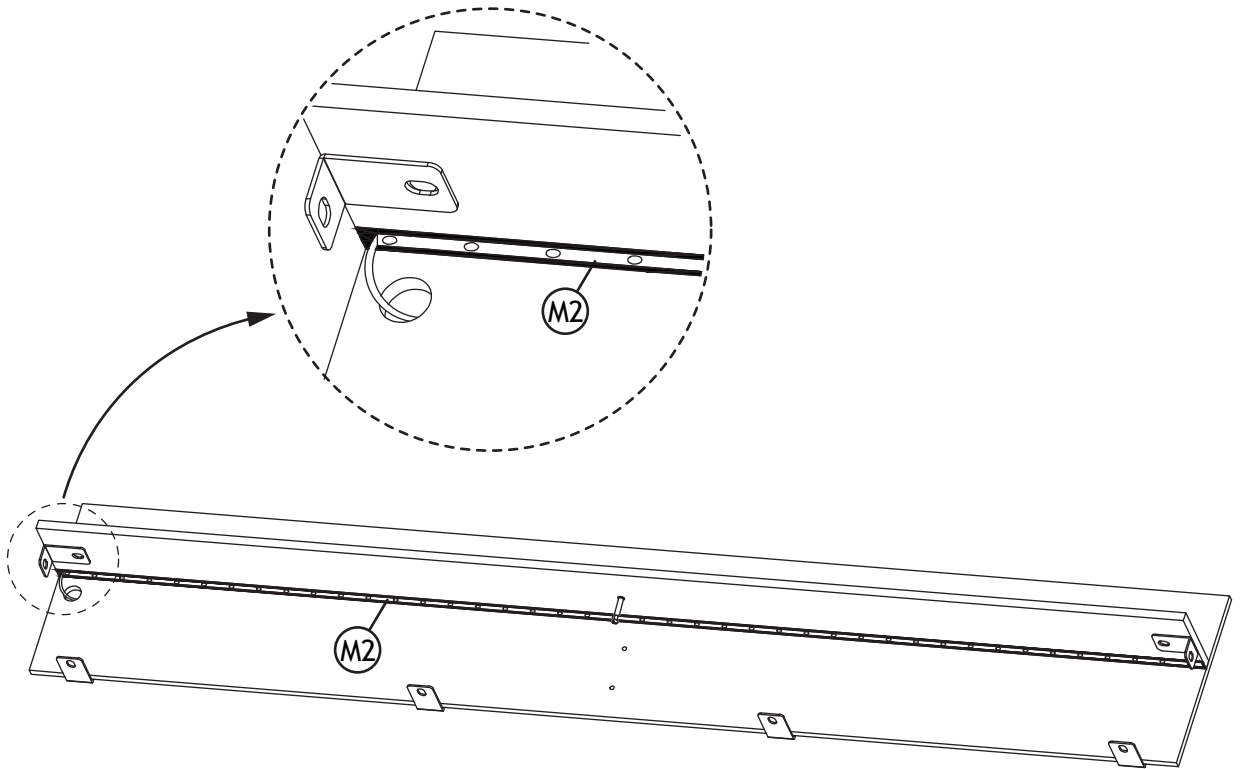
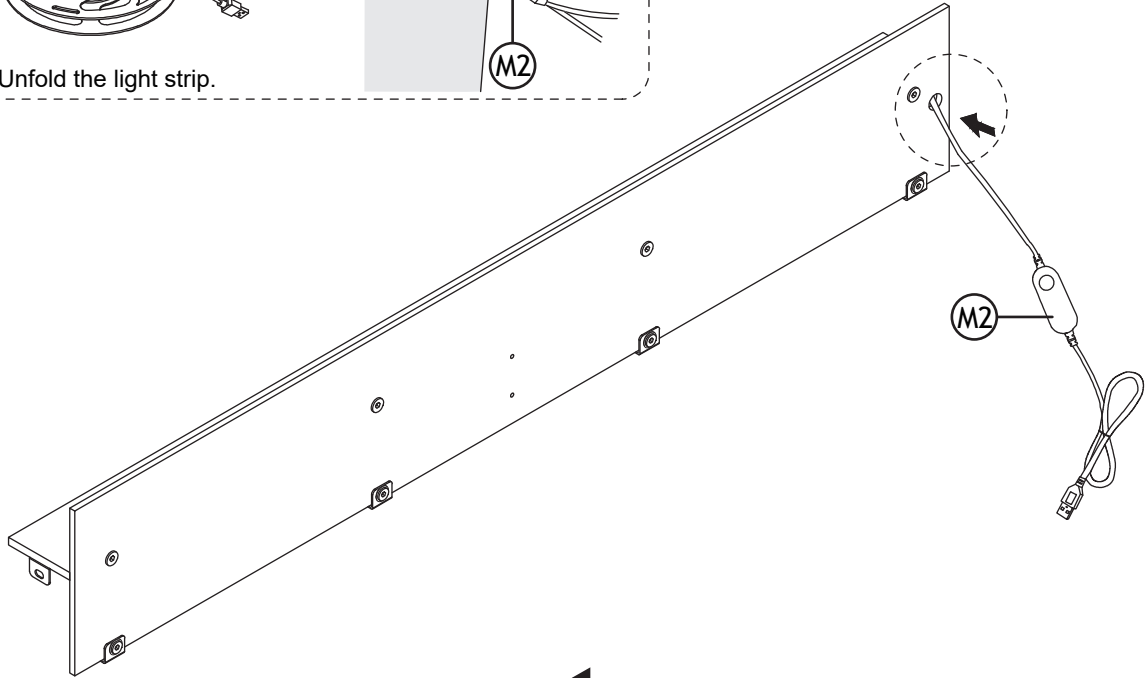
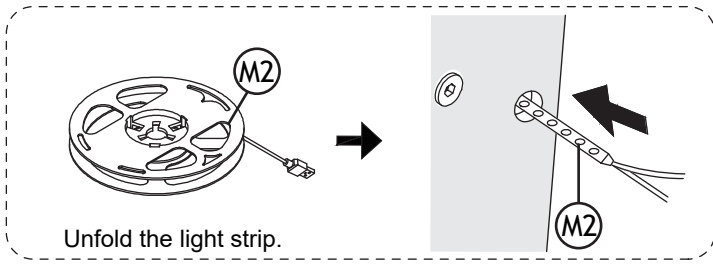
1



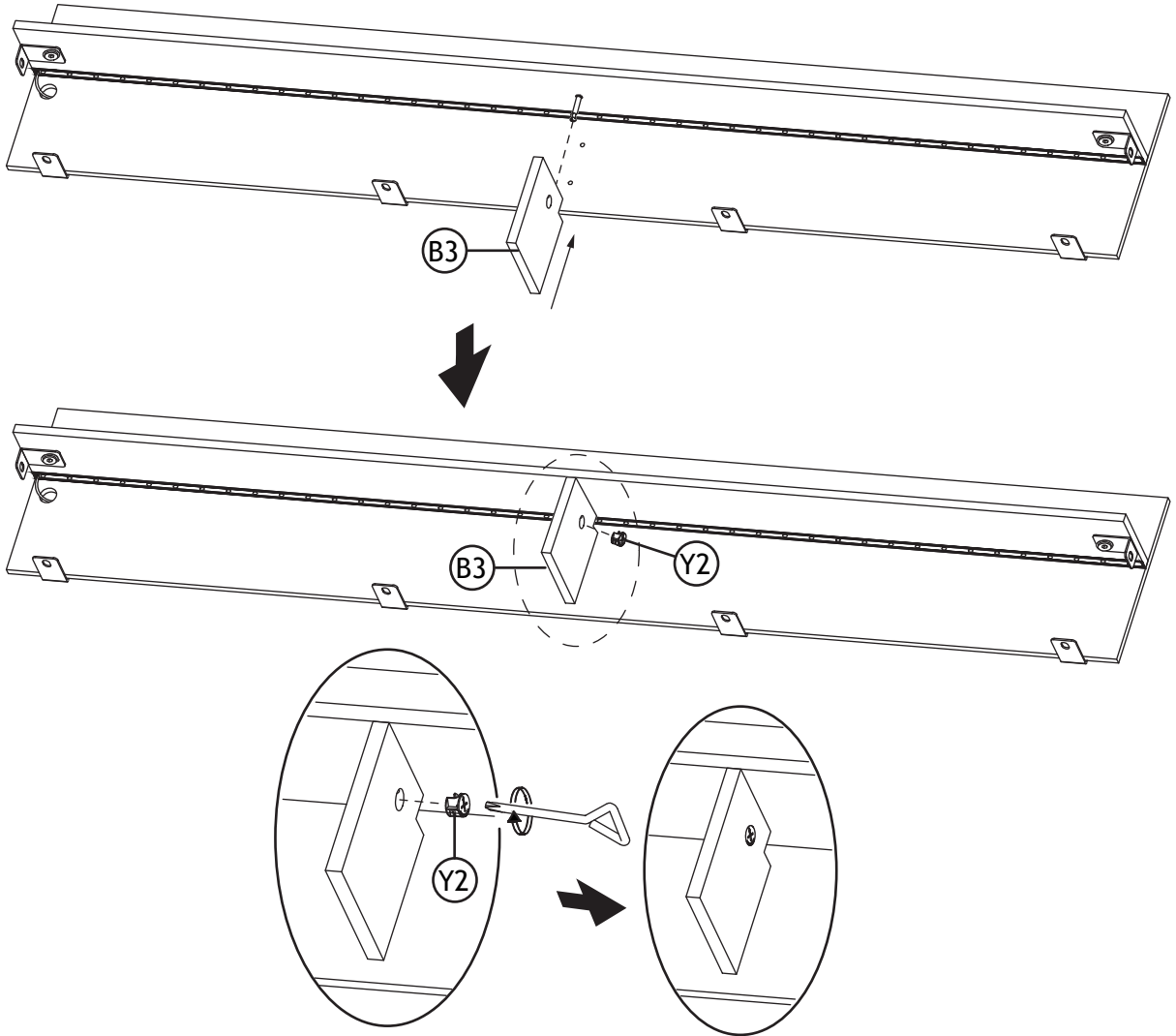
2



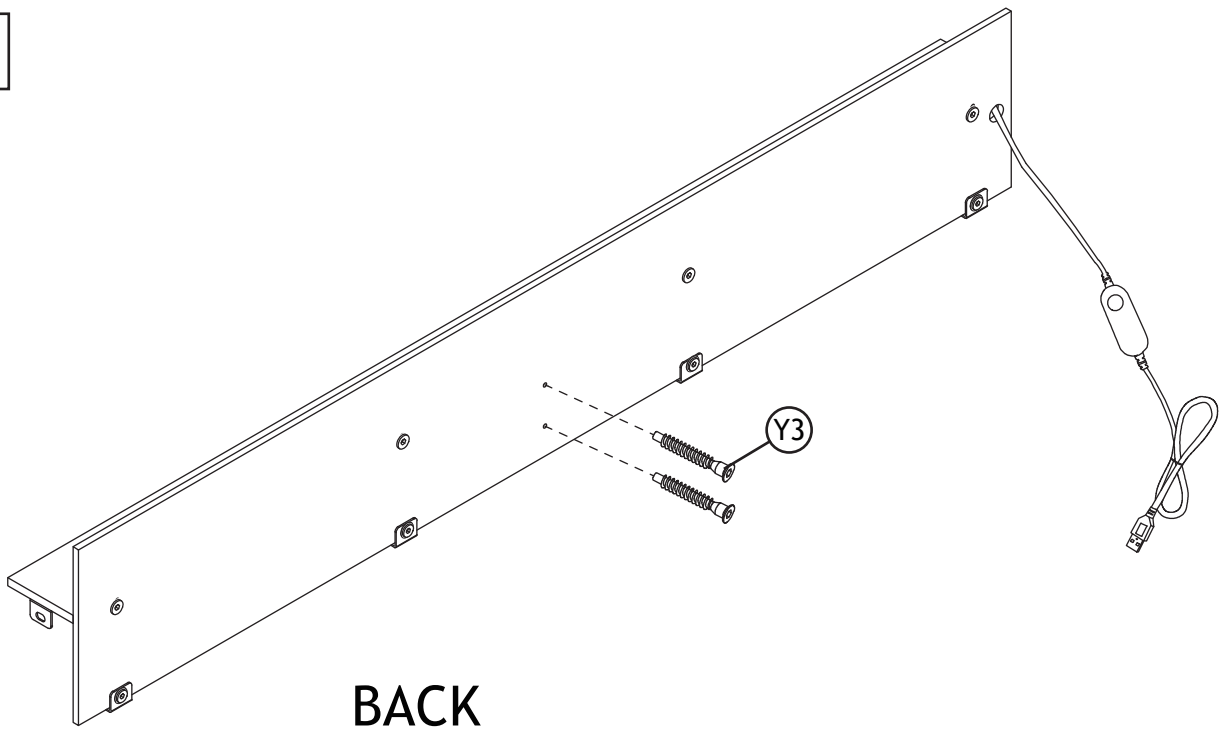
3



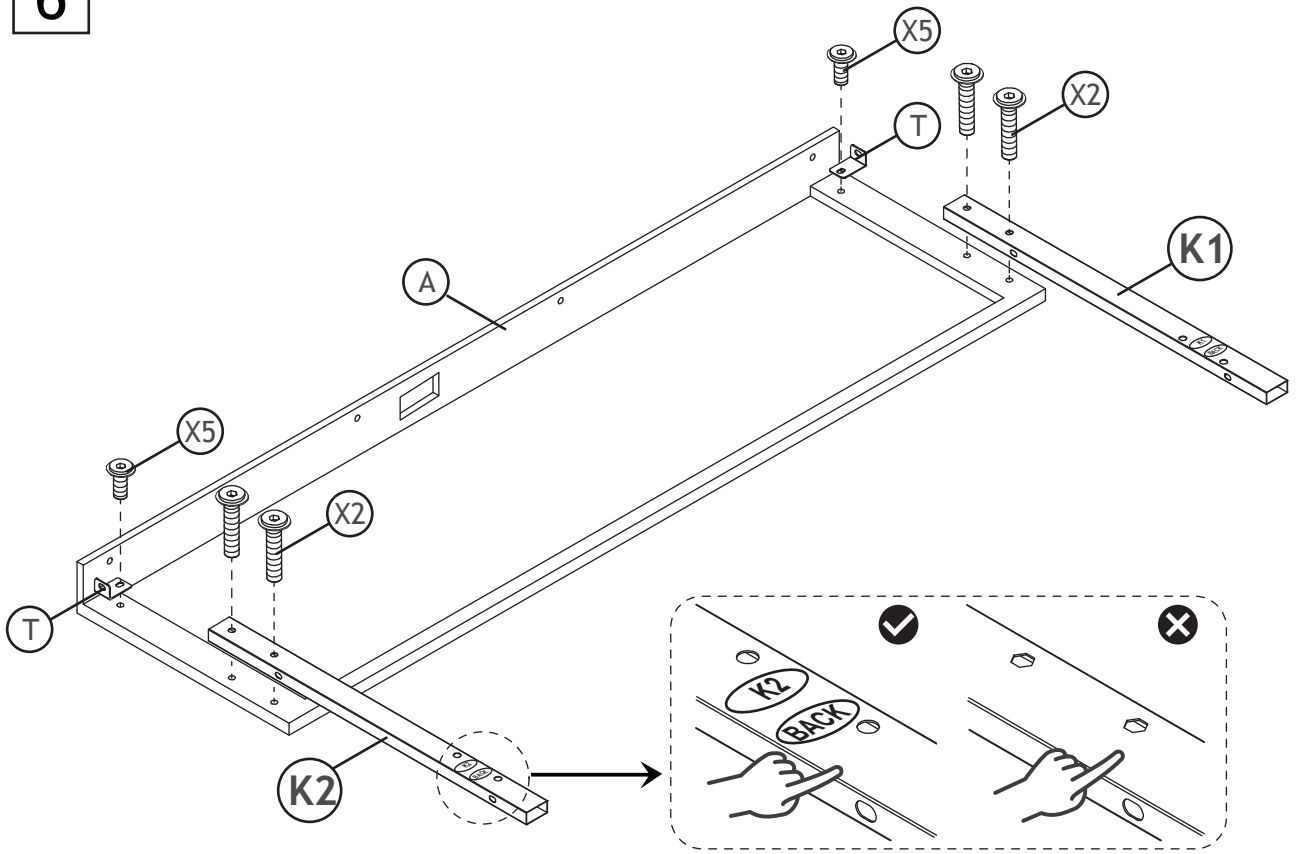
4



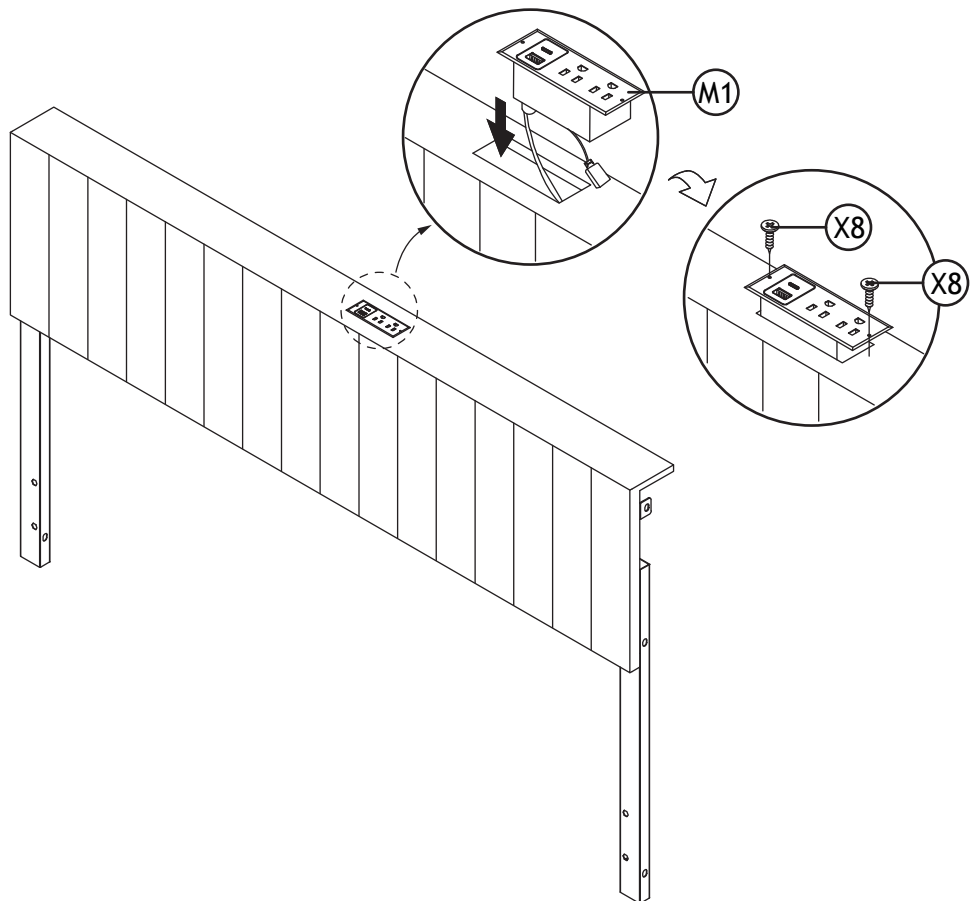
5



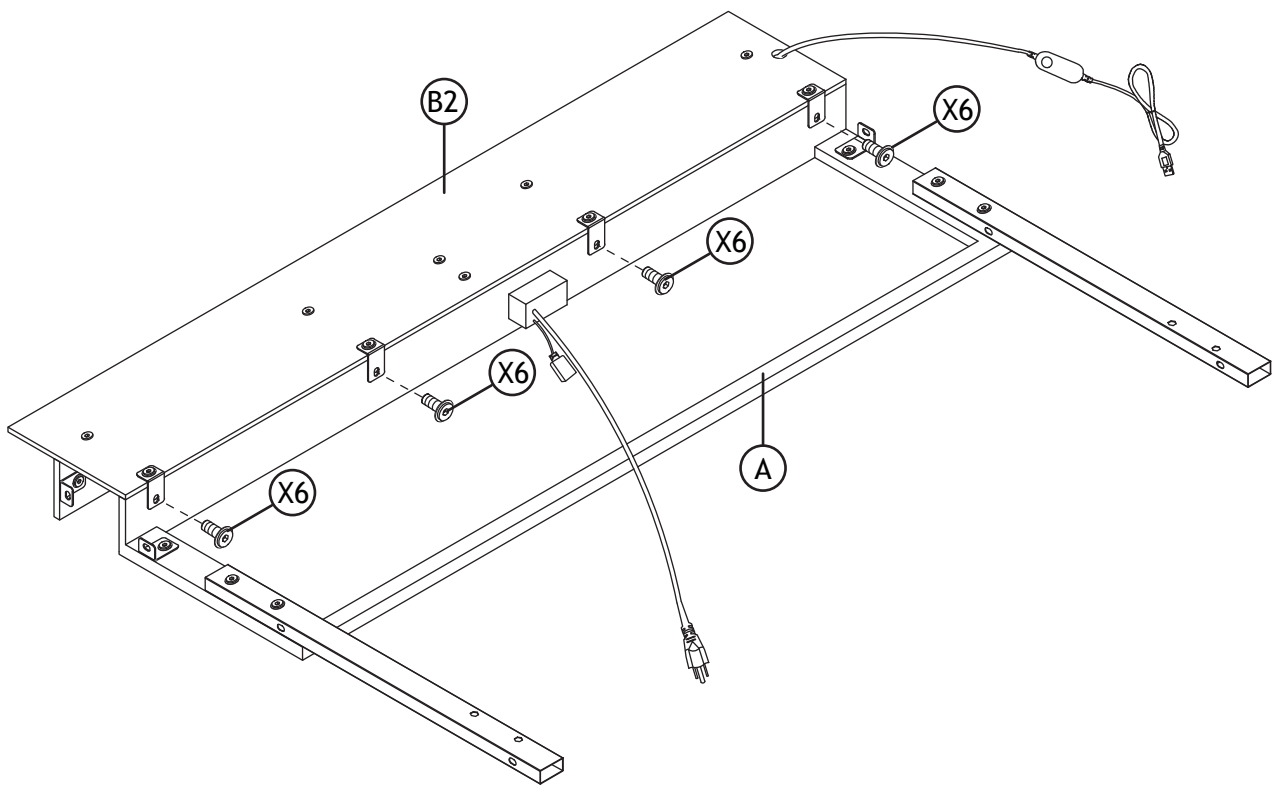
6



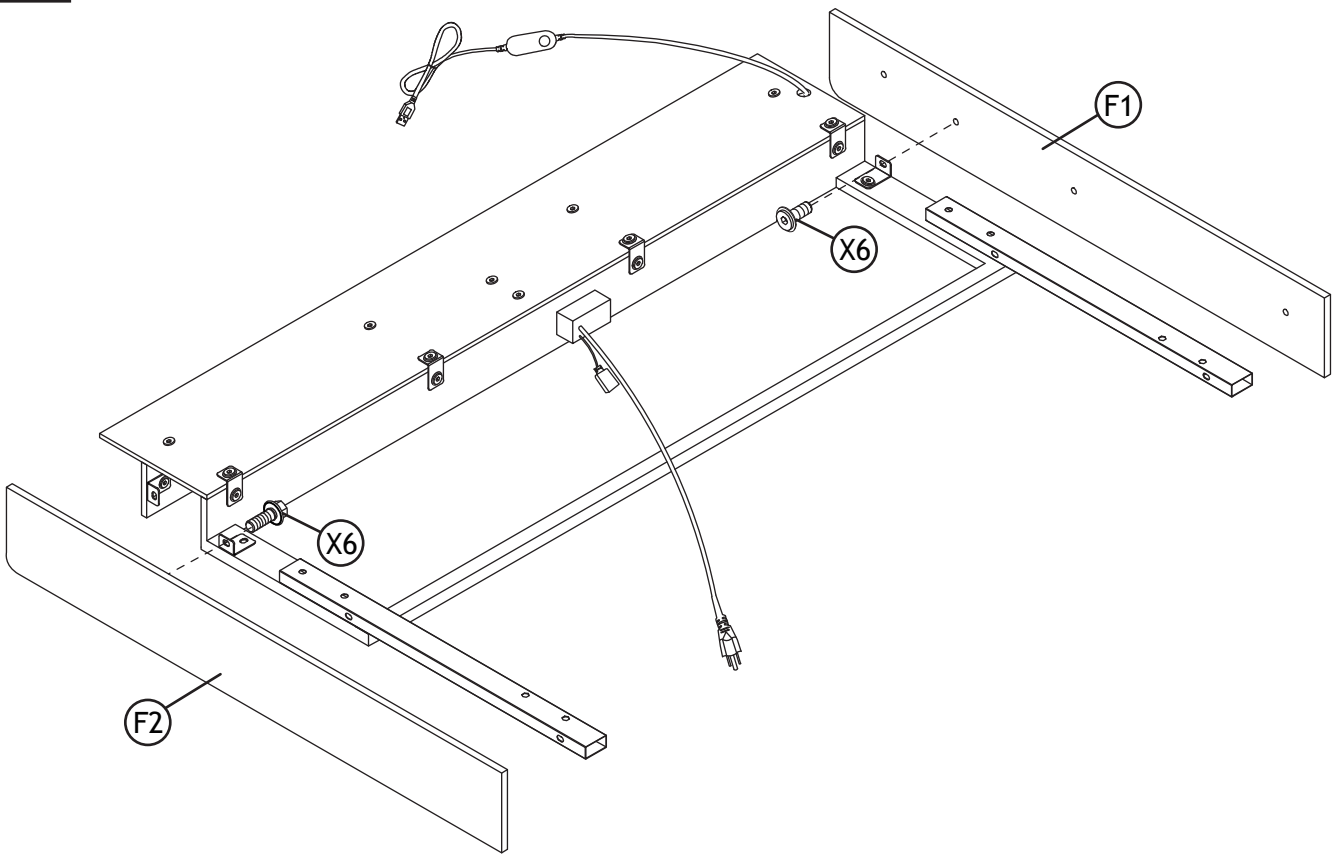
7



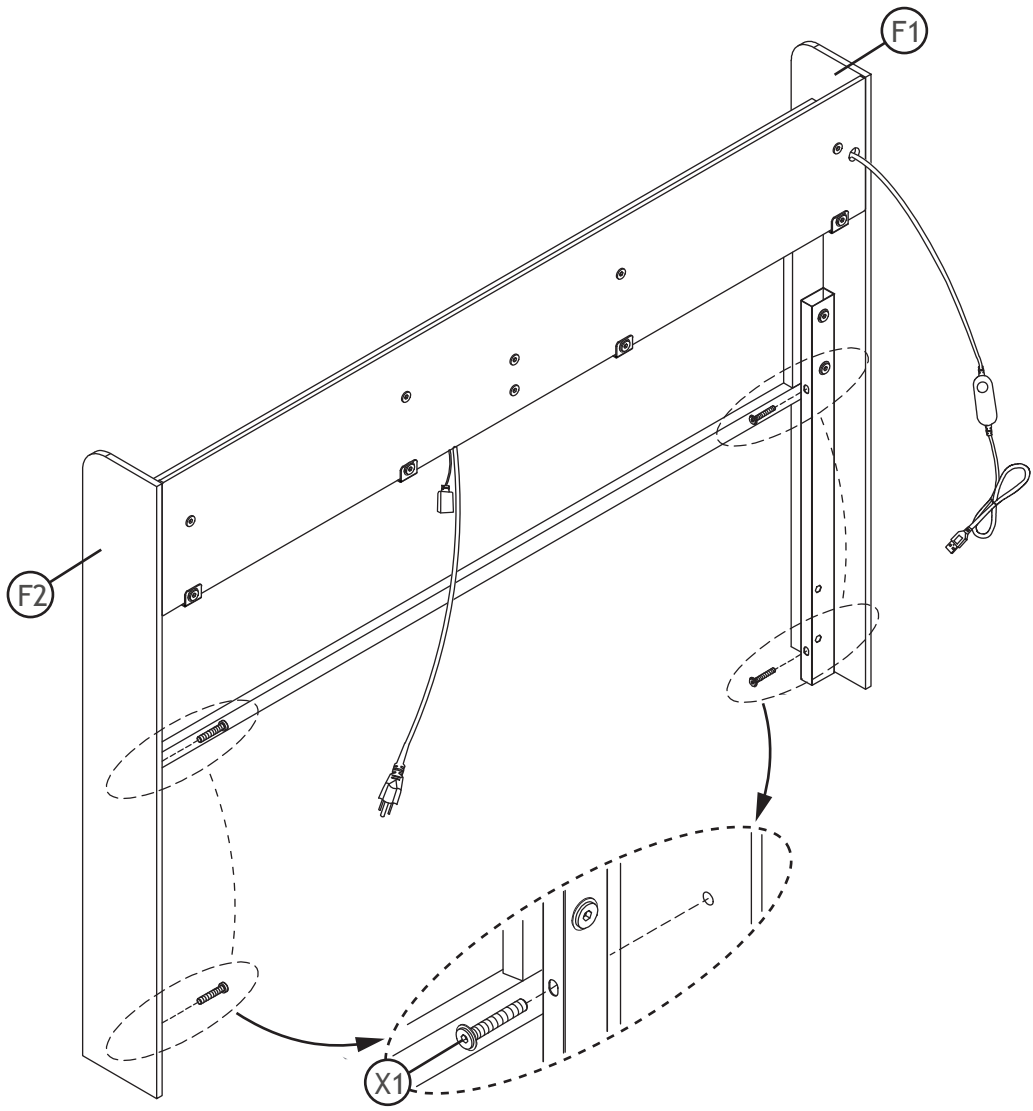
8



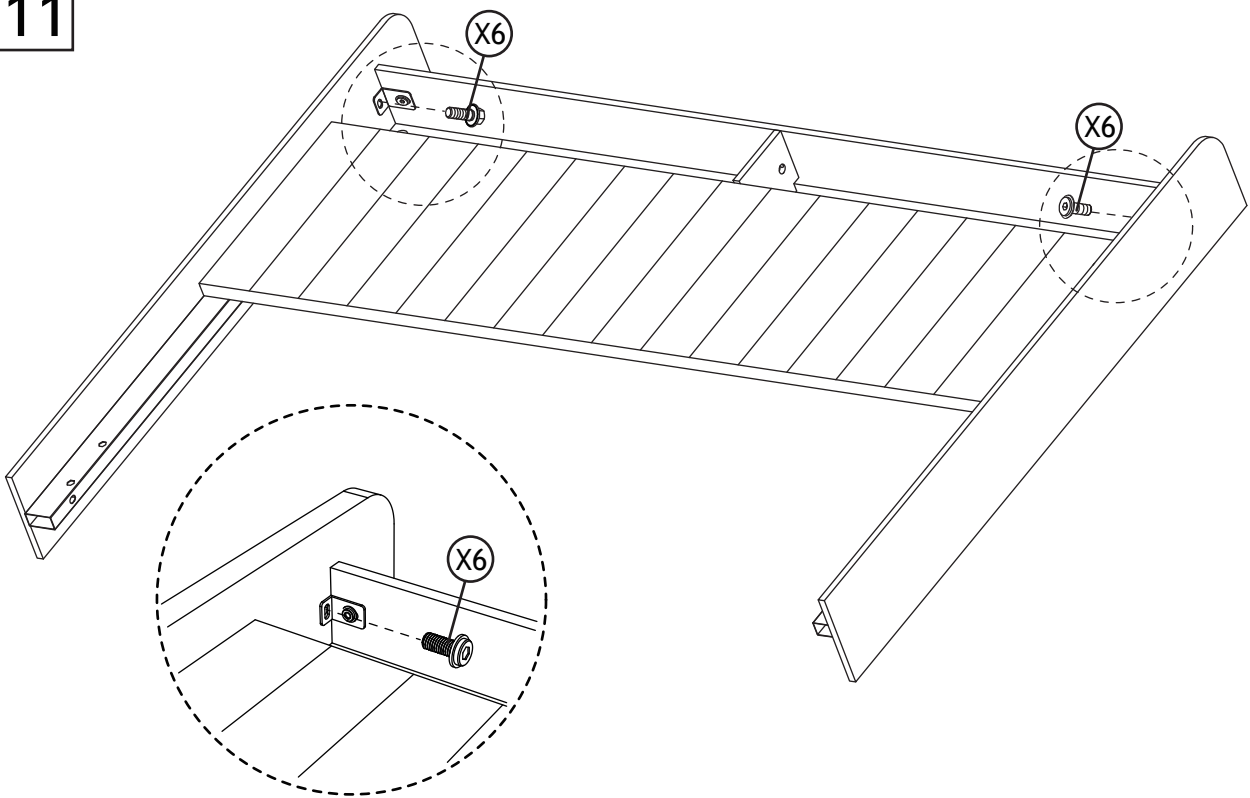
9



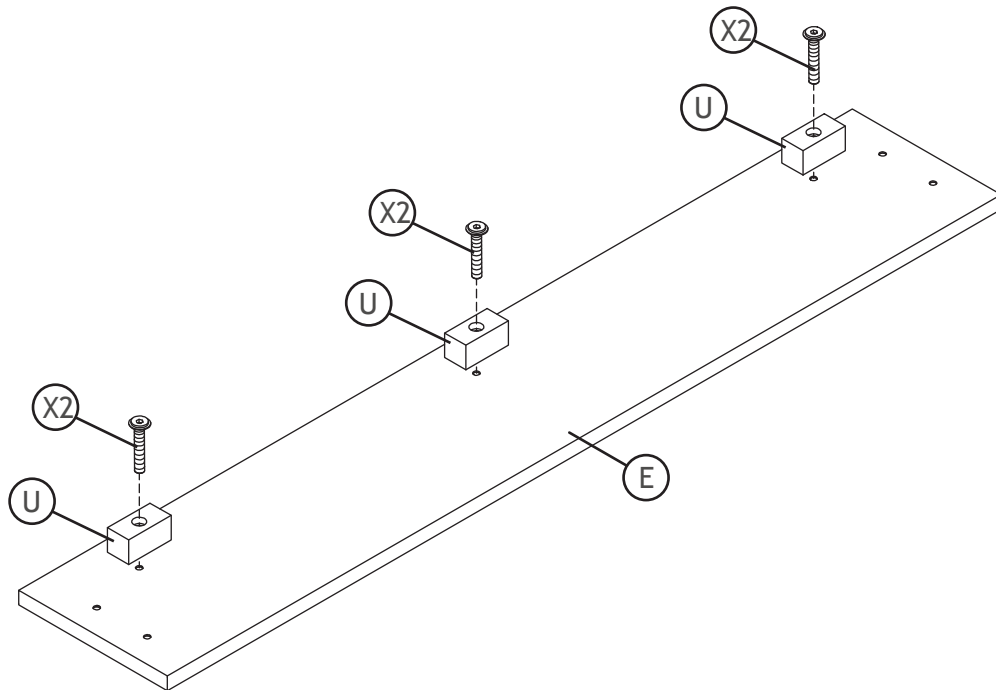
10



11

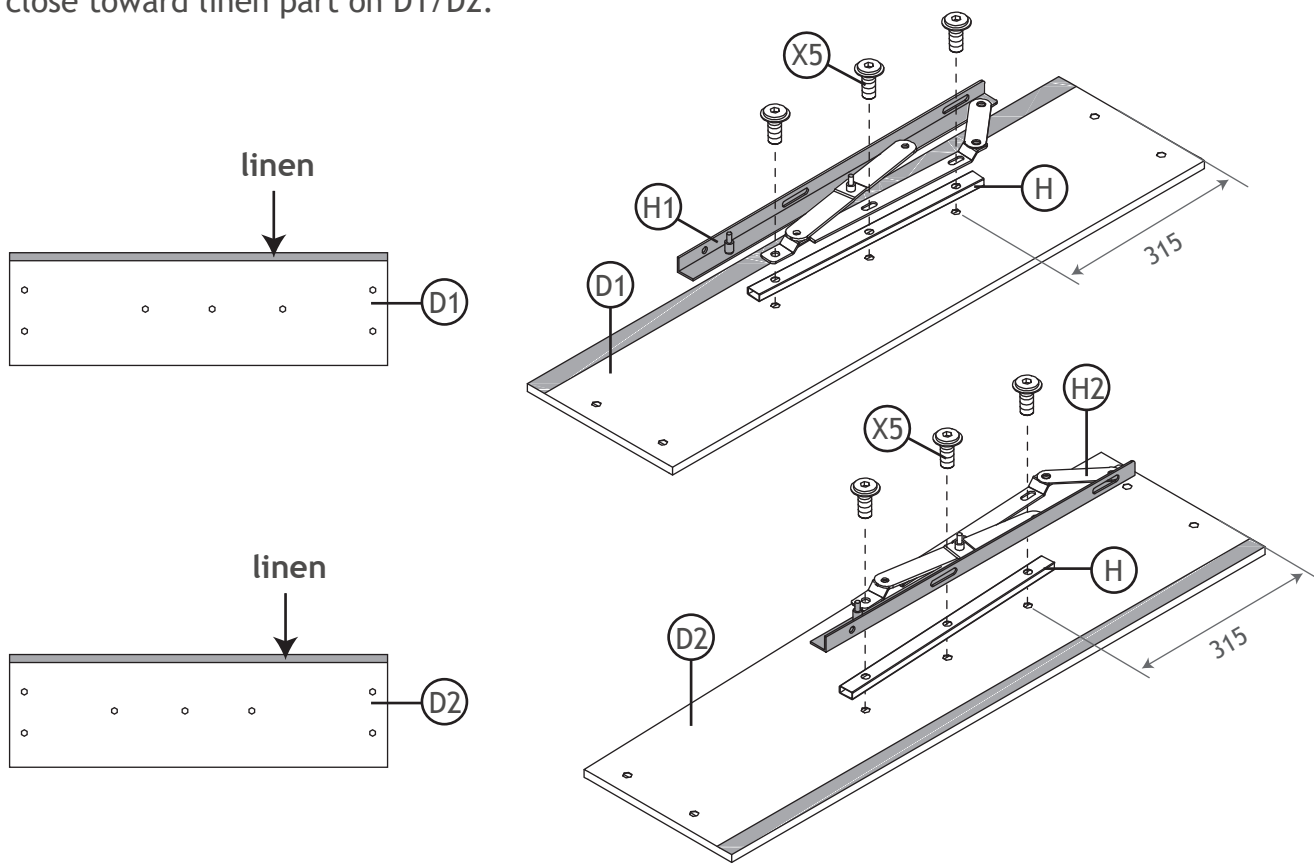


12

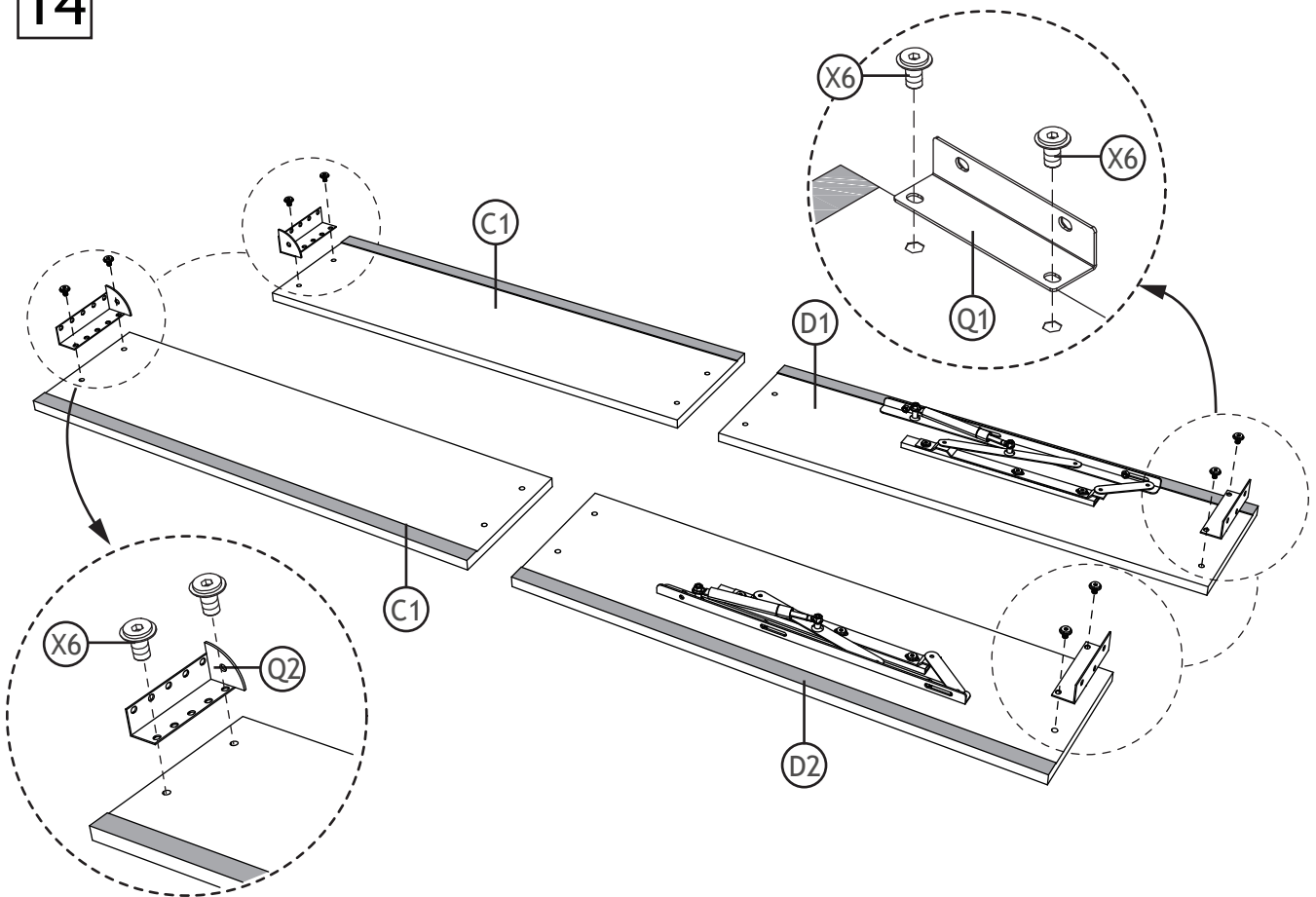


13

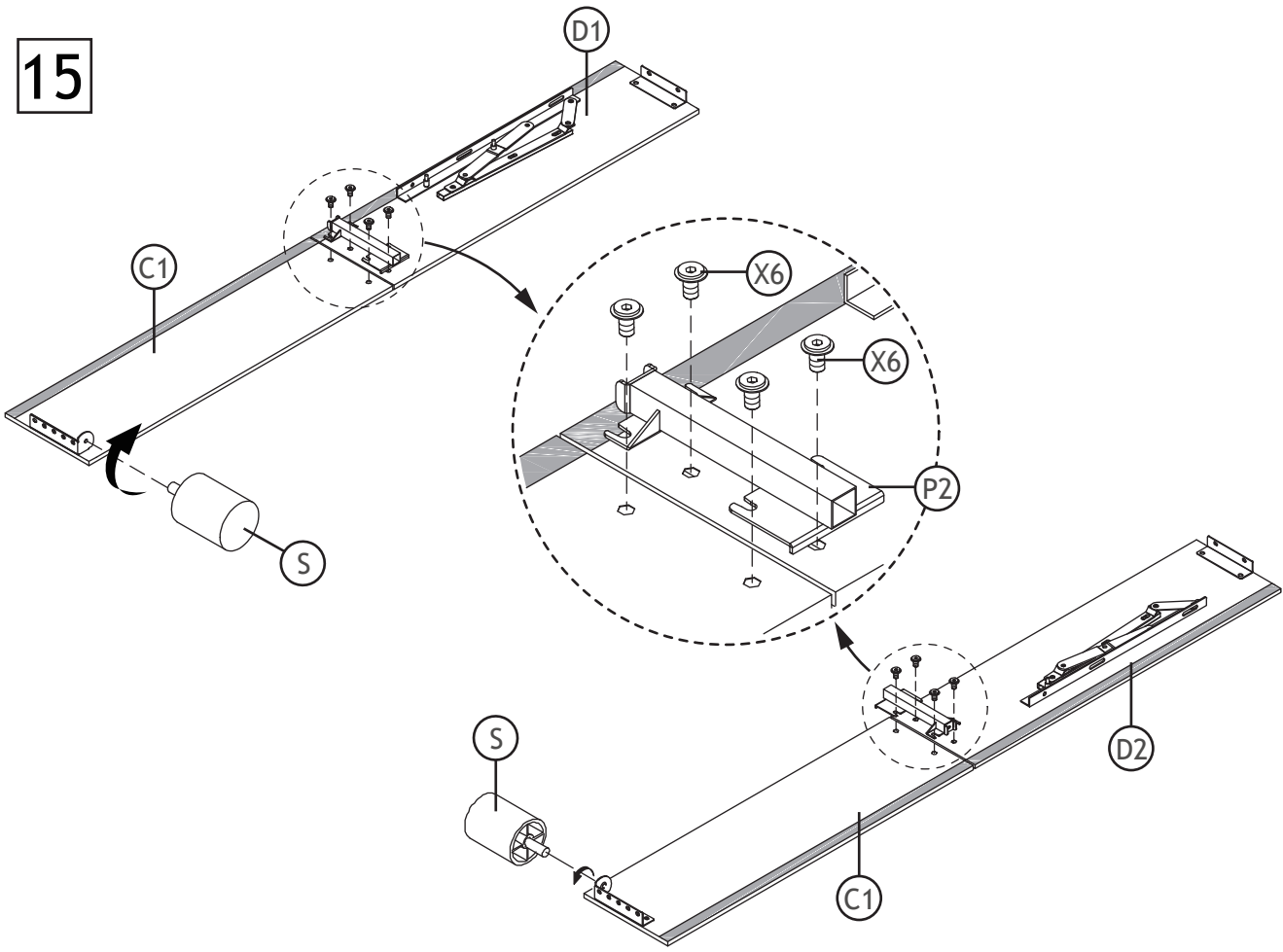
NOTE: Please make sure L-shape parts on H1/H2 close toward linen part on D1/D2.



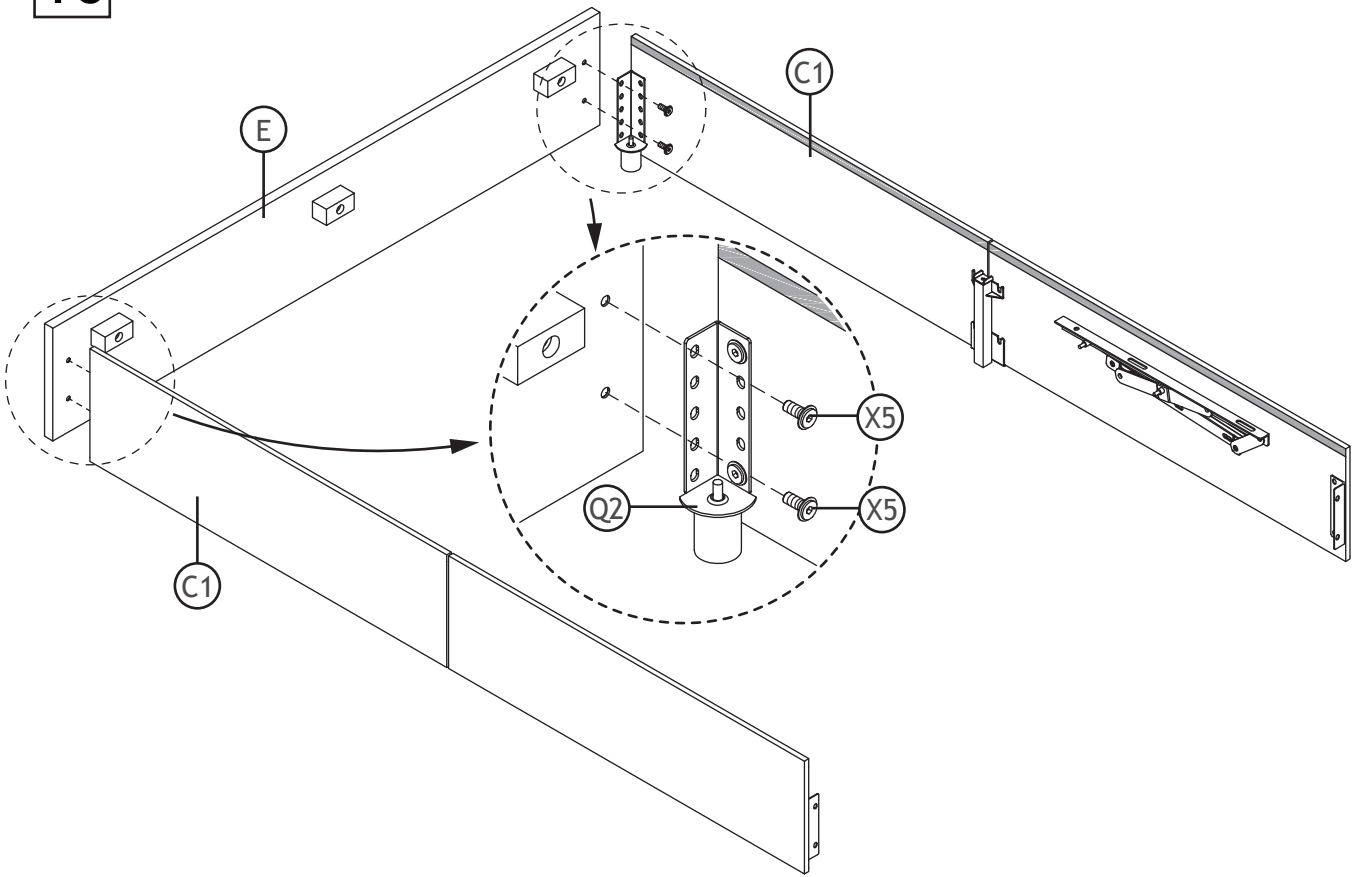
14



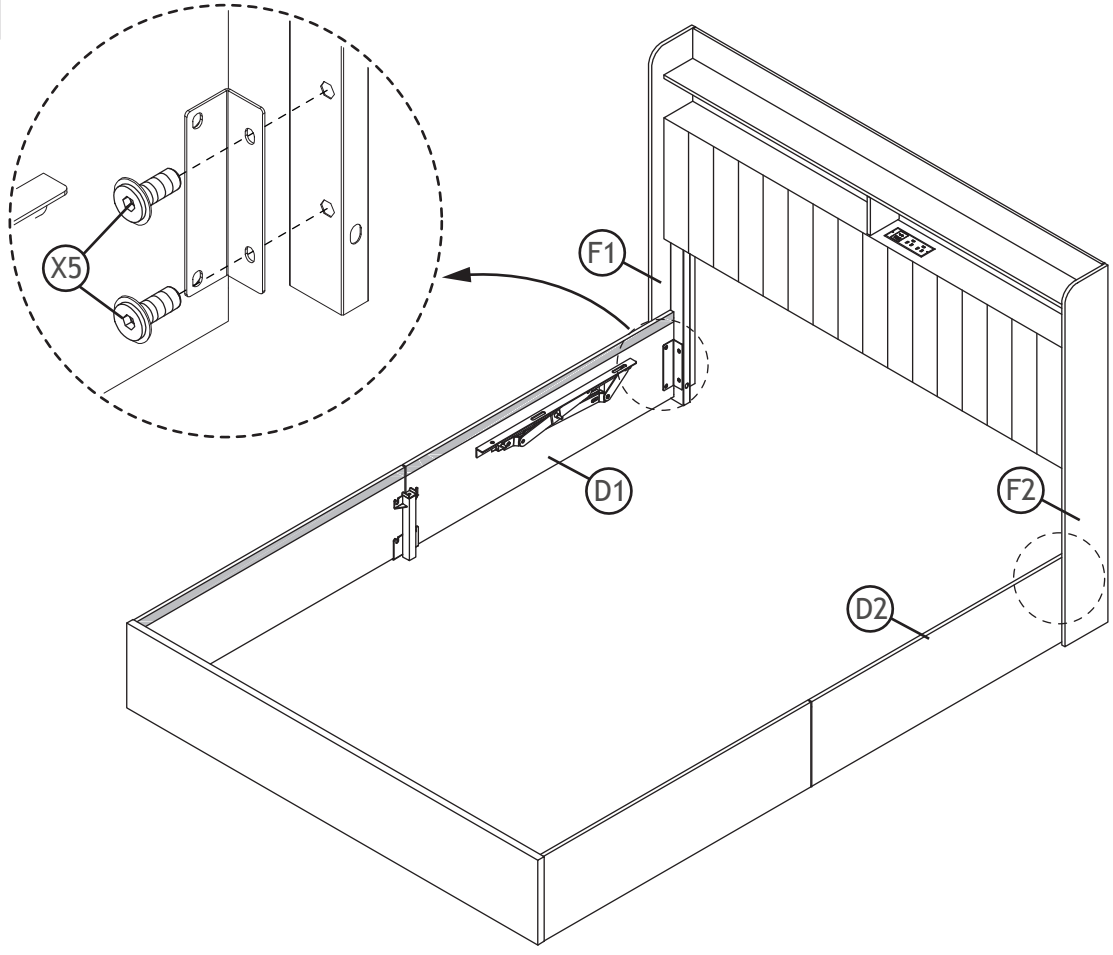
15



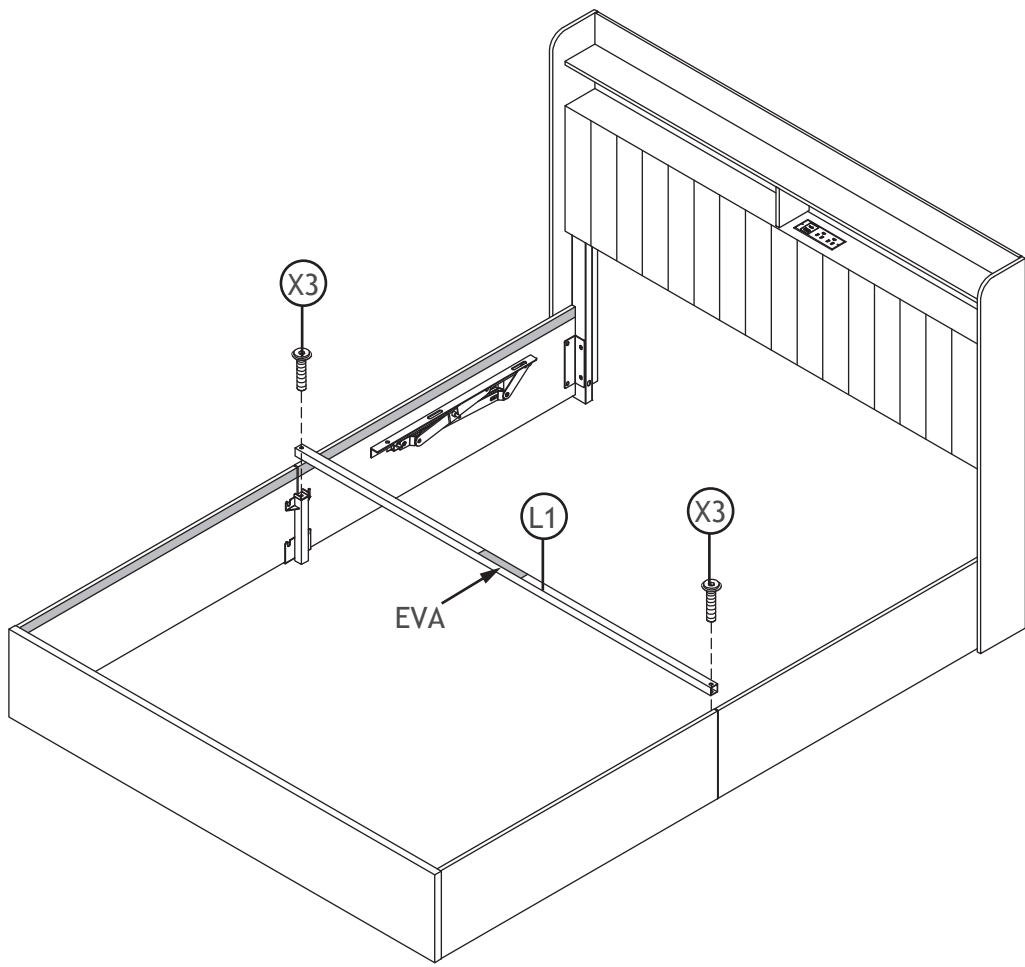
16



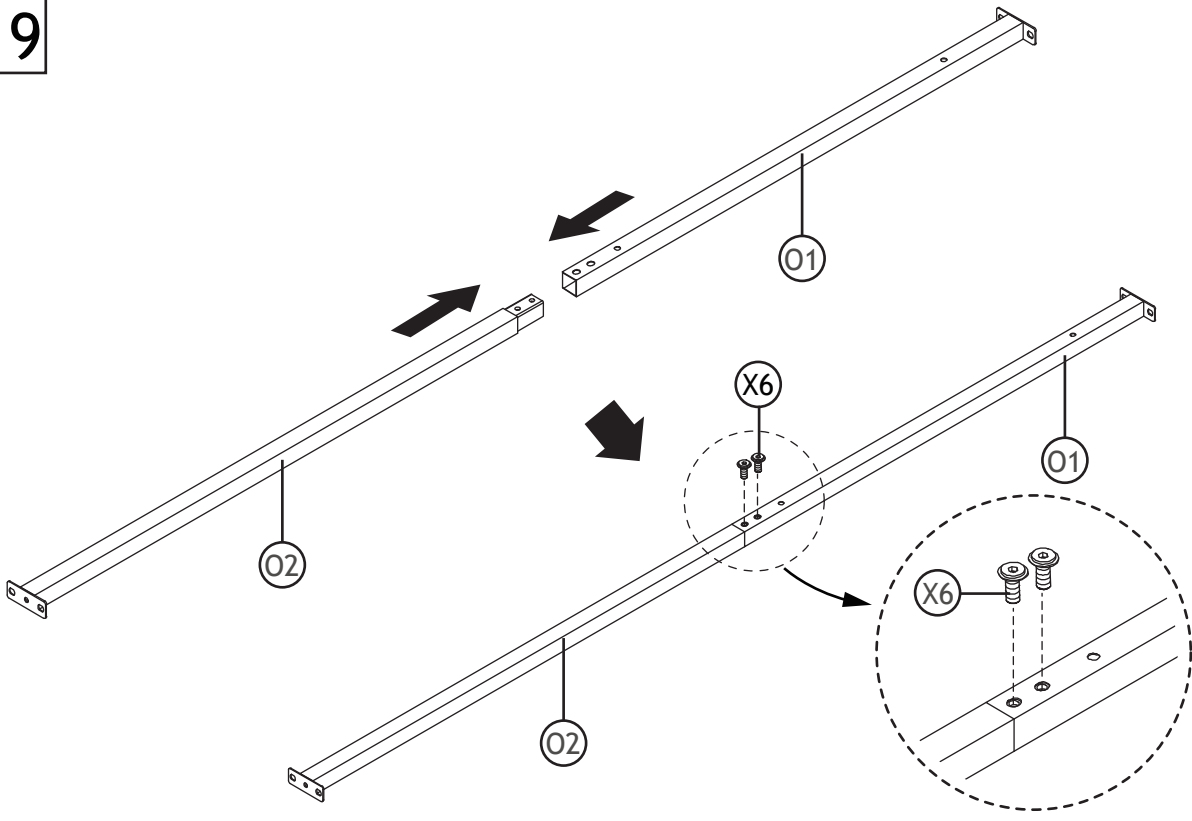
17



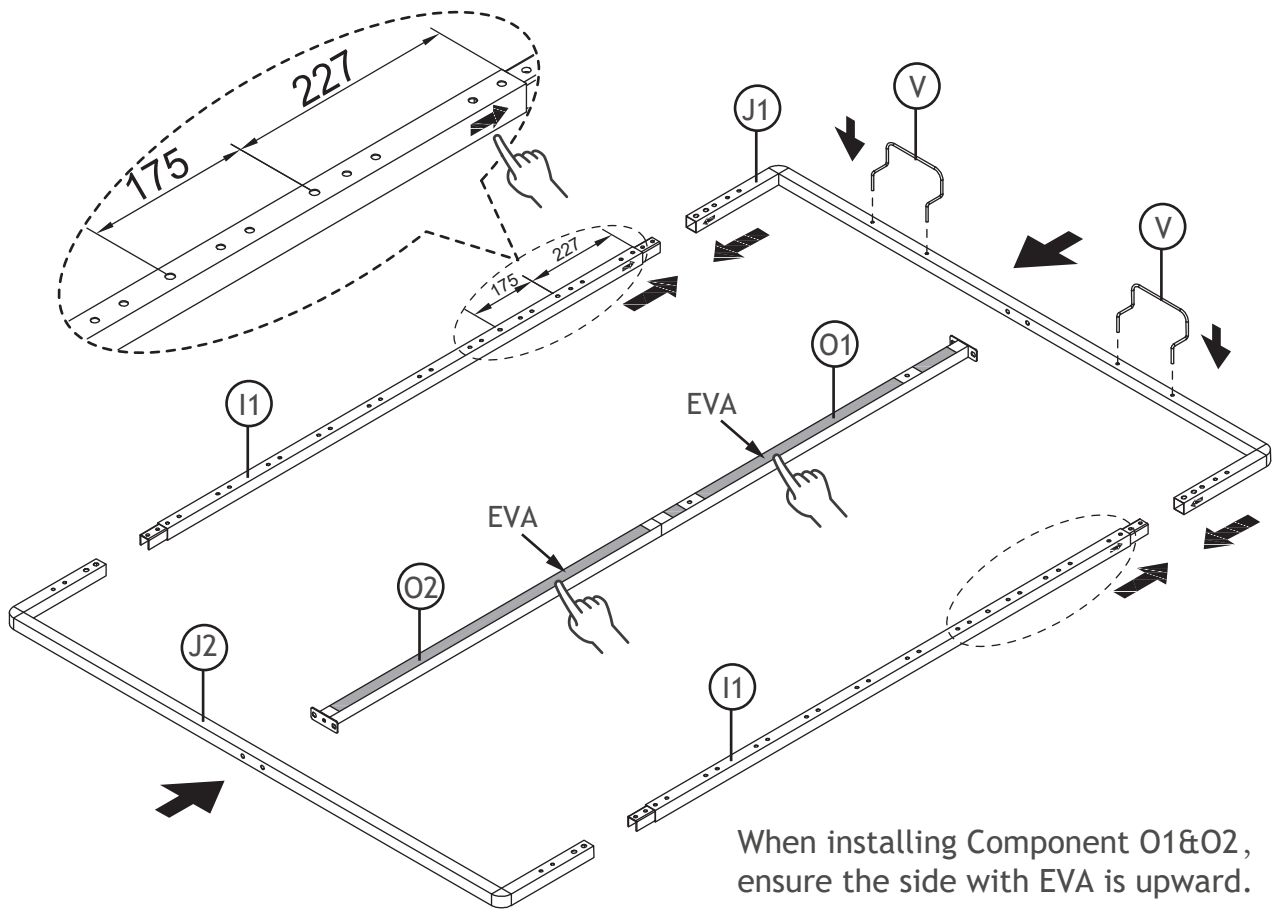
18



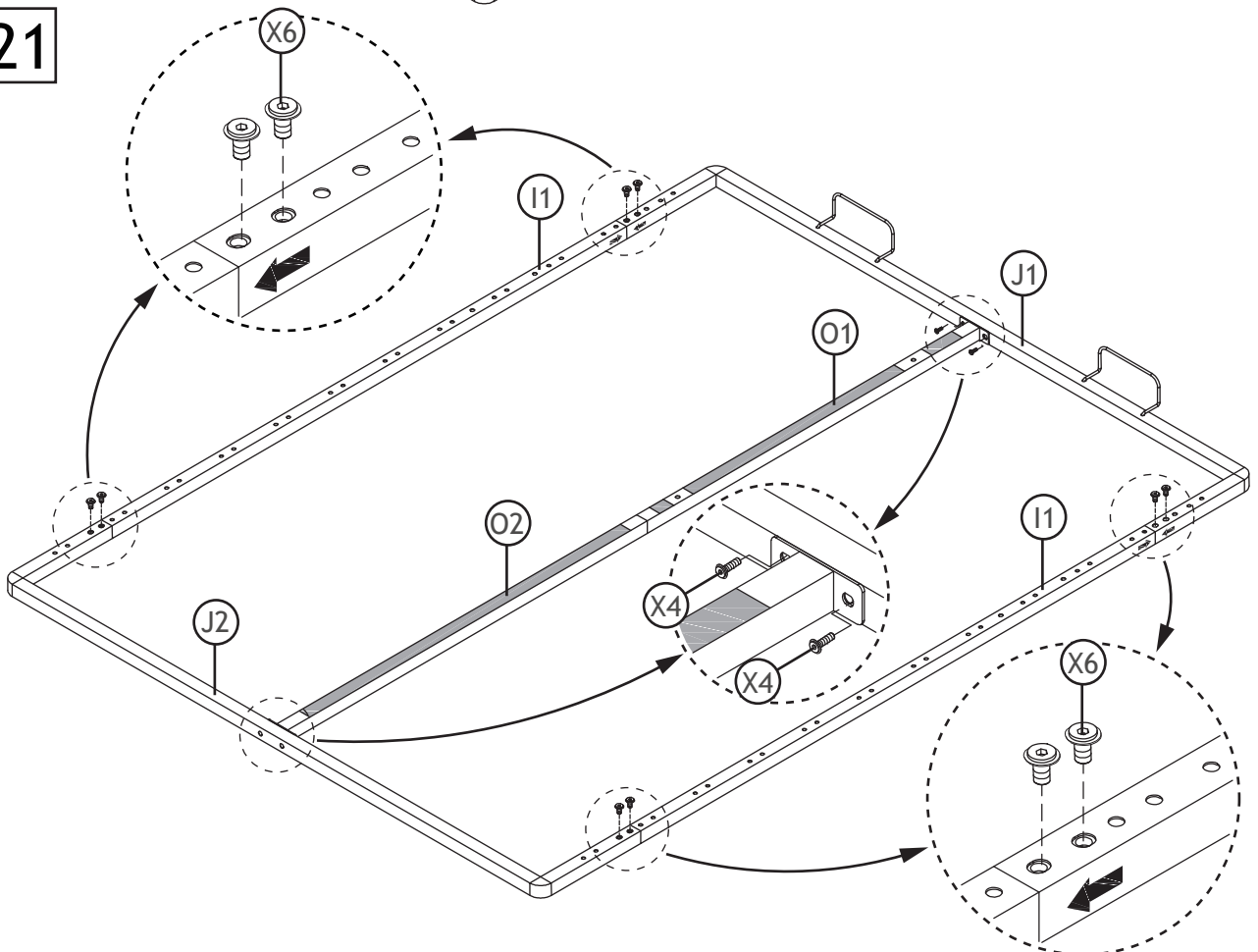
19



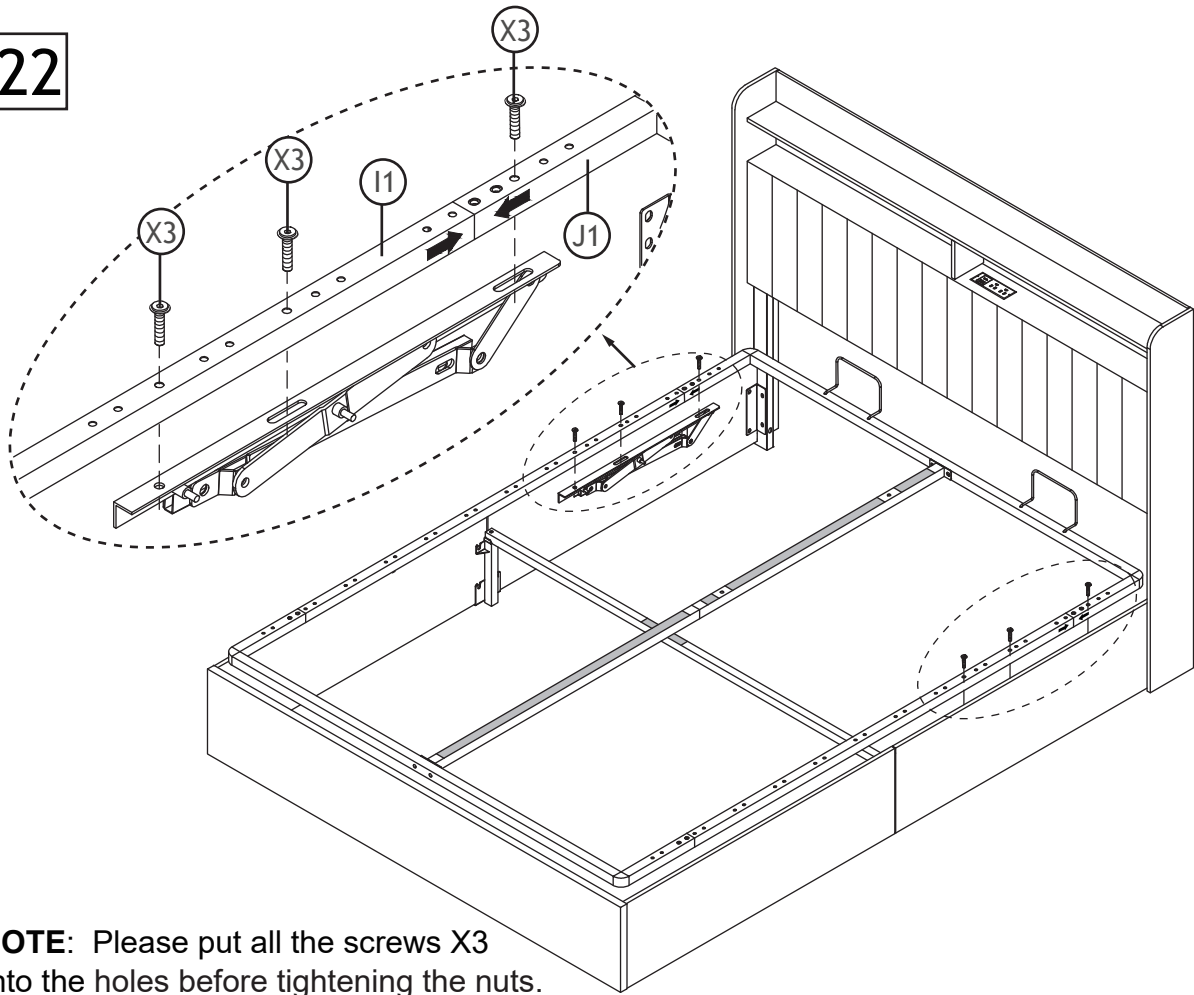
**20** NOTE: Please notice the directions of arrows when connecting I1 and J1.



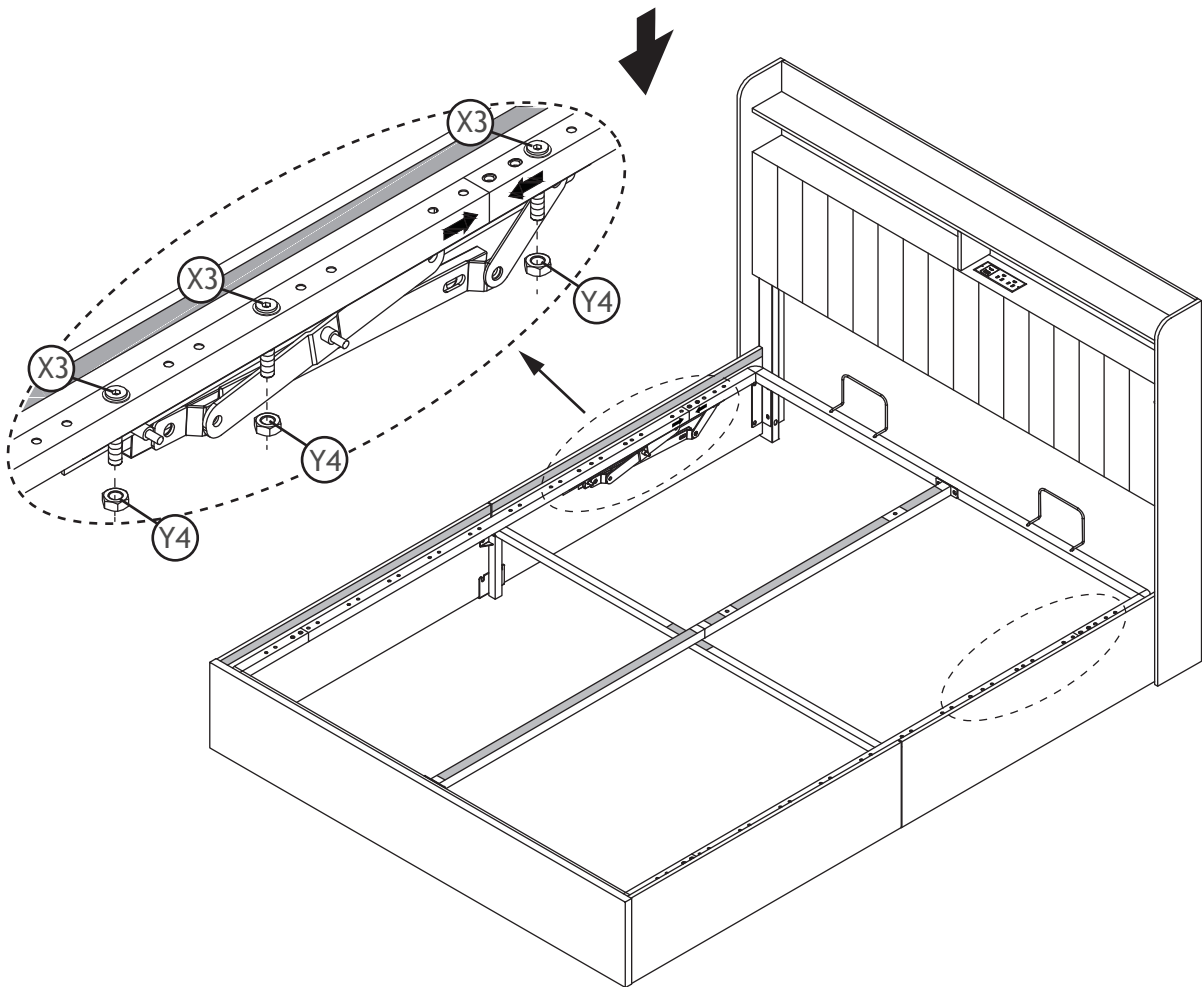
**21**



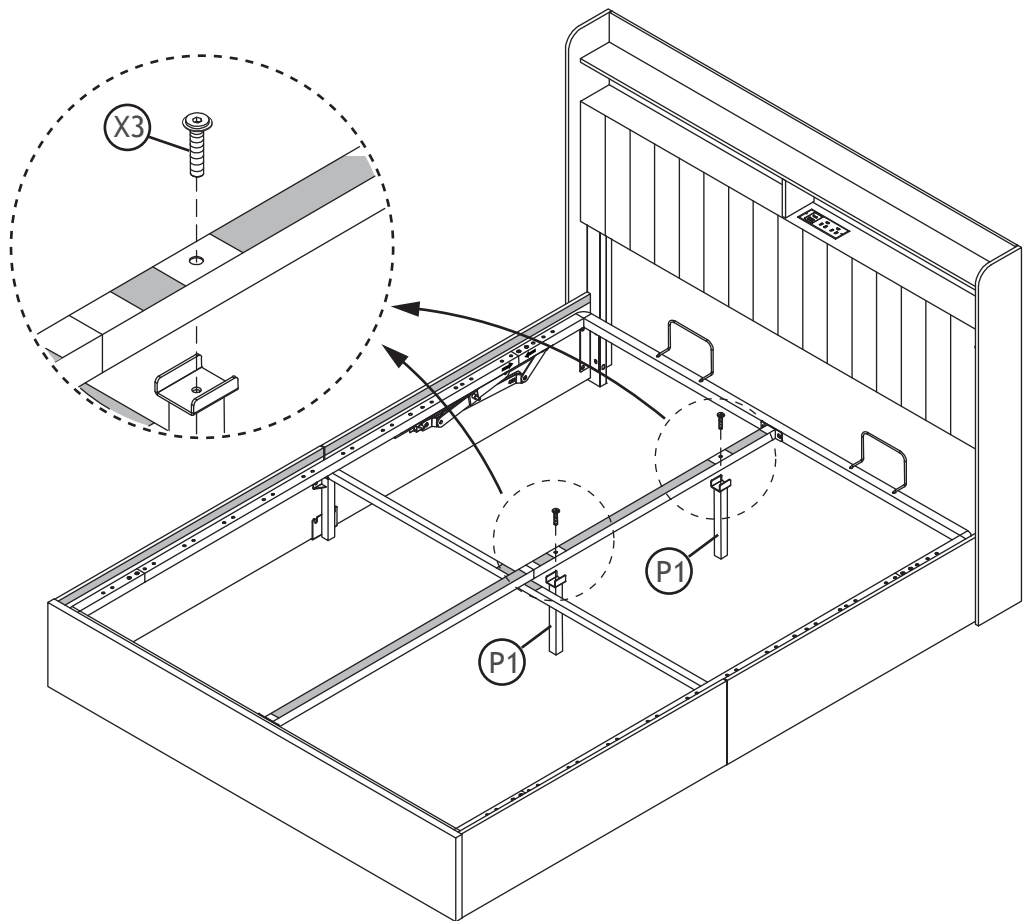
22



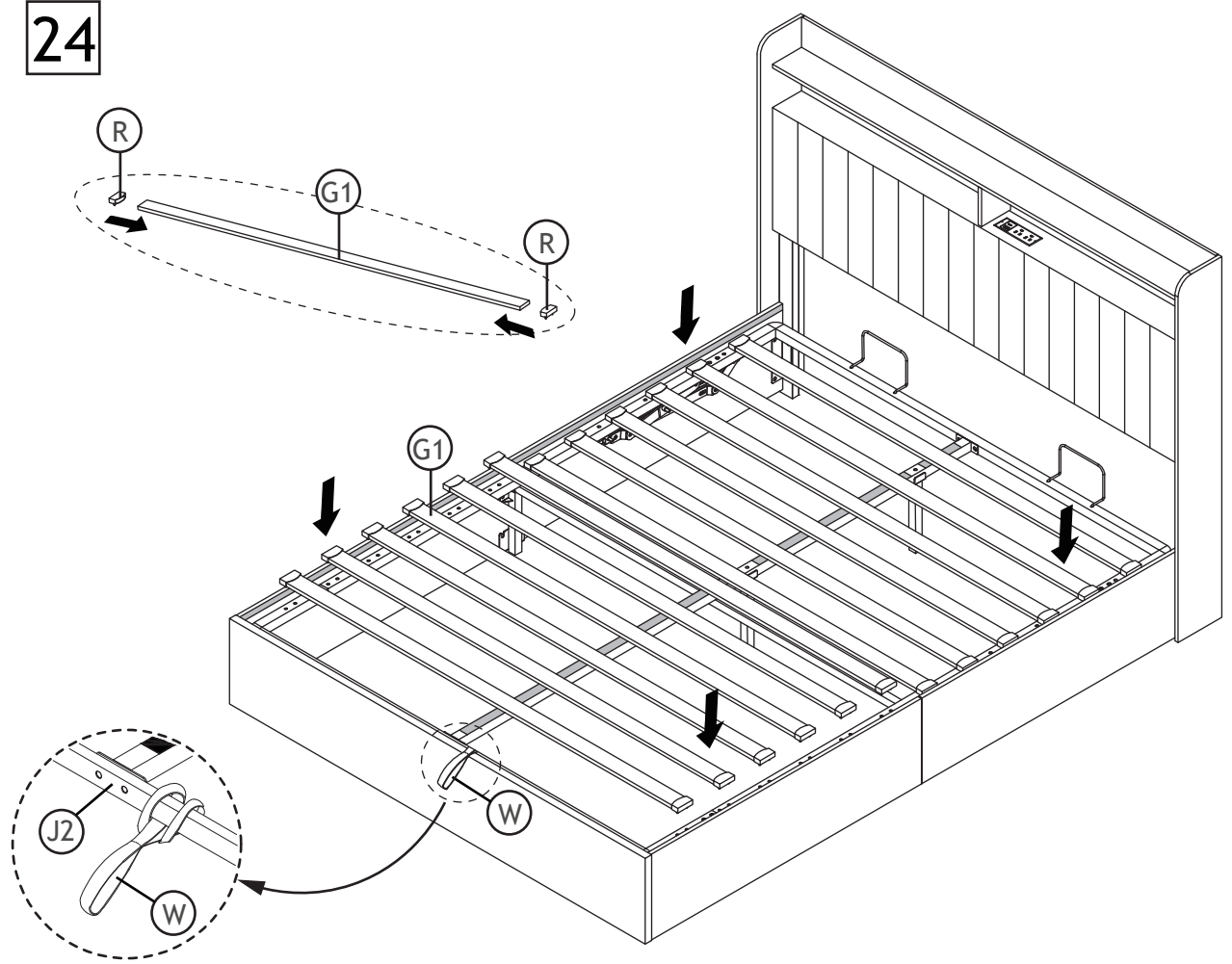
**NOTE:** Please put all the screws X3 into the holes before tightening the nuts.



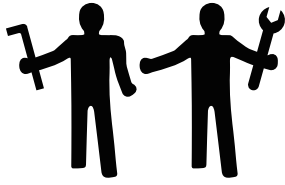
23



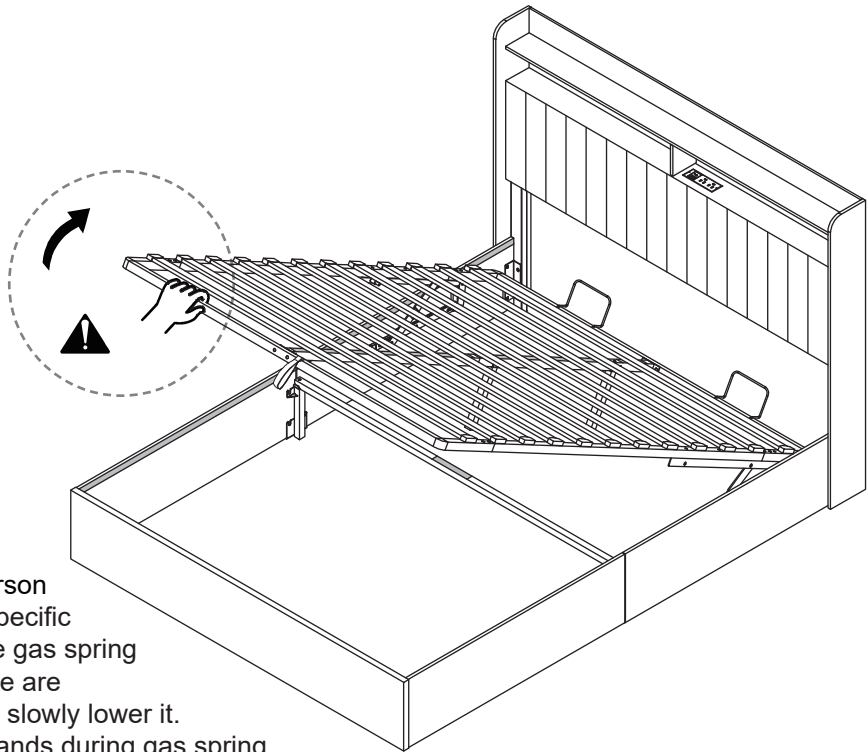
24



# 25 Gas Spring Installation Precautions



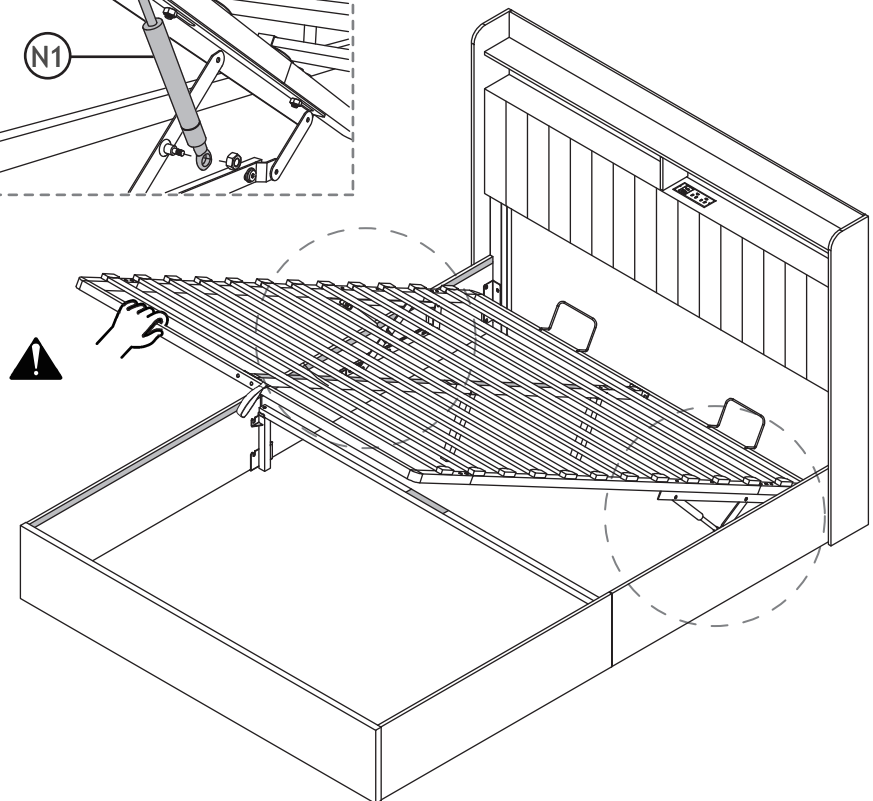
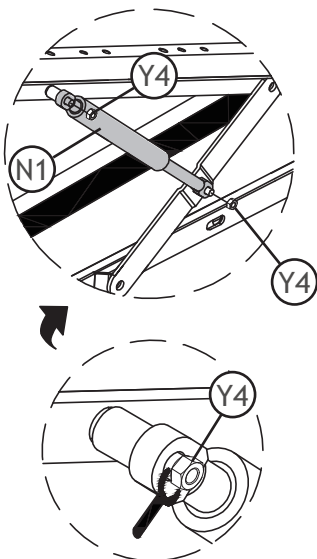
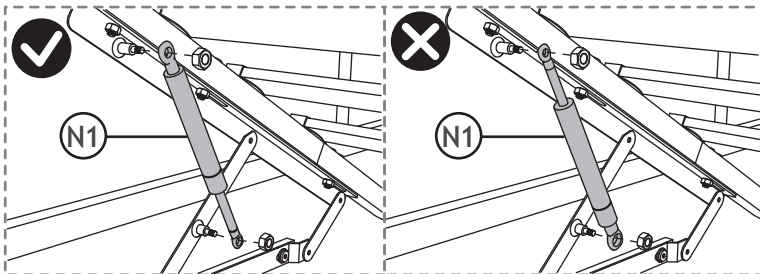
Two person installation



## ! WARNING

To install the gas spring, one person should lift the metal frame to a specific height and hold it steady until the gas spring is fully installed. Ensure that there are no obstructions under the frame, slowly lower it. (Be careful not to release your hands during gas spring installation to prevent the metal frame from accidentally falling and injuring people or objects.)

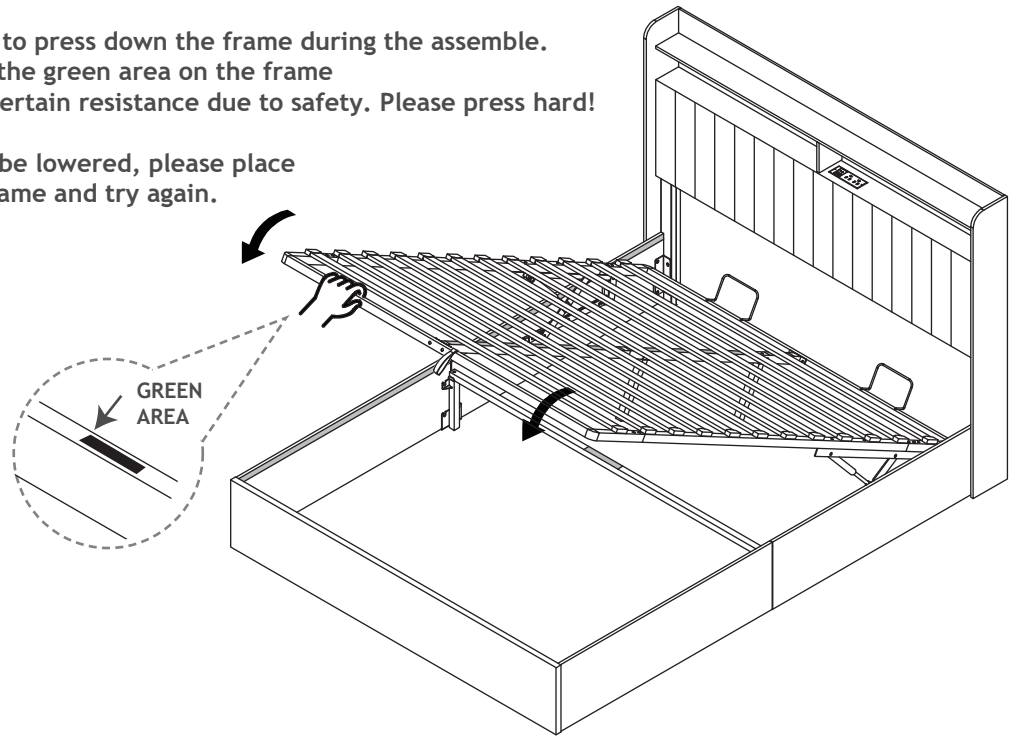
Please Notice the Direction of Part N1.



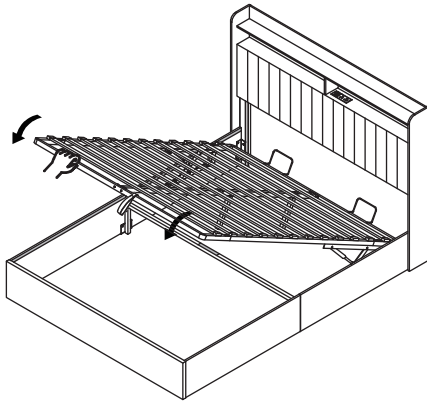
## ⚠ WARNING

- 2 people are required to press down the frame during the assemble.
- Please press down on the green area on the frame
- The gas springs have certain resistance due to safety. Please press hard!

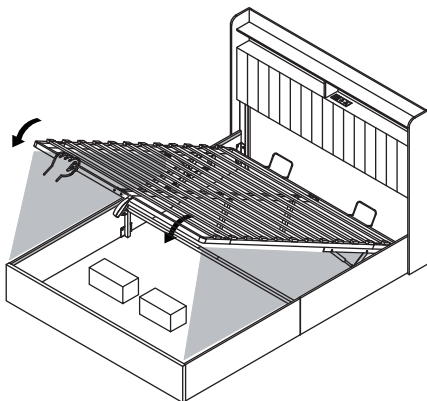
If the bed frame cannot be lowered, please place a mattress on the bed frame and try again.



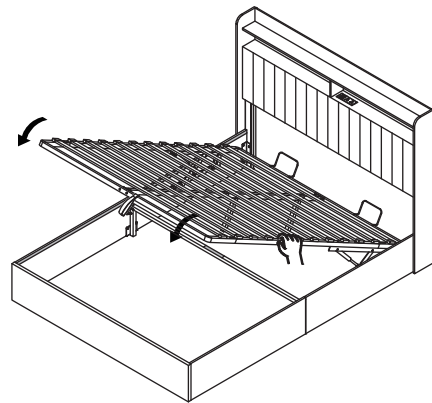
### Precautions for closing the bed frame:



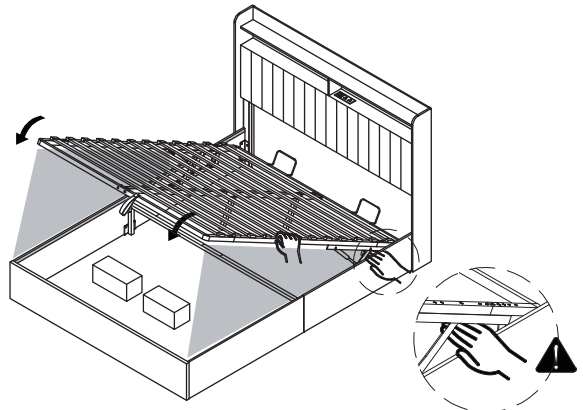
Operate from the foot of the bed



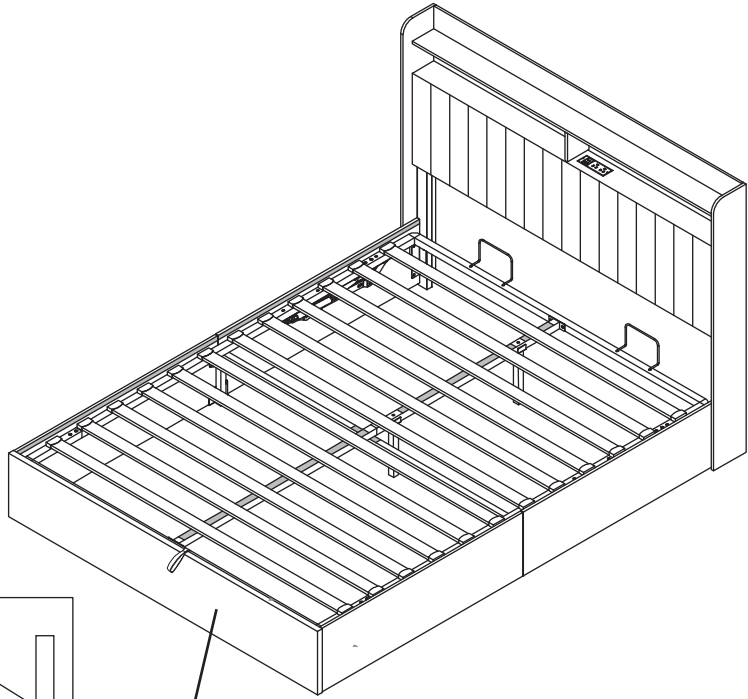
Make sure there are no obstructions



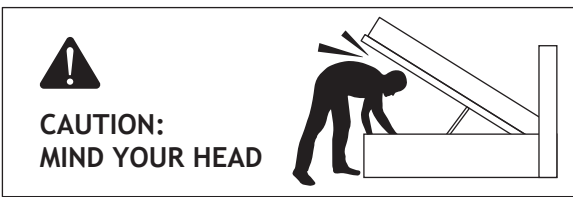
To avoid deformation of the metal frame, do not operate from the sides of the bed.



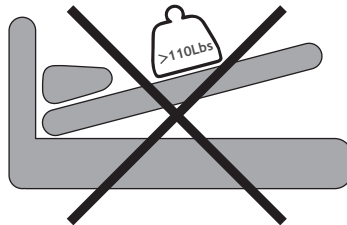
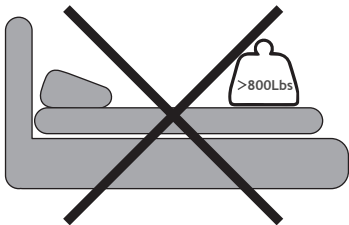
Make sure there are no obstructions



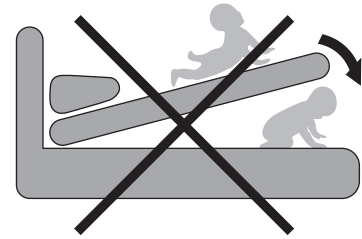
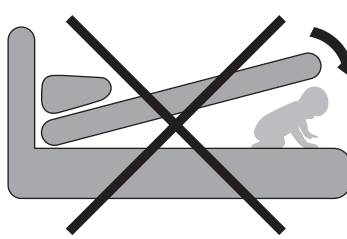
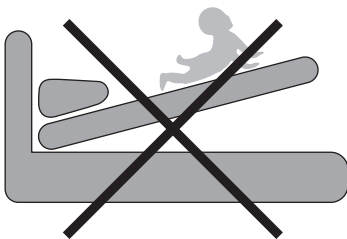
Warning Label:



- When lifting or lowering the bed frame, it can only support items weighing less than 110 pounds.
- When lifting or lowering the bed frame, keep a safe distance between the body and the frame to avoid injury.
- Ensure that there are no people or objects interfering with the bed's sides or footboard when lifting or lowering the bed frame to avoid any dangers.
- Before entering underneath the bed, make sure the bed frame is lifted to its highest position and confirm it will not drop after being released.

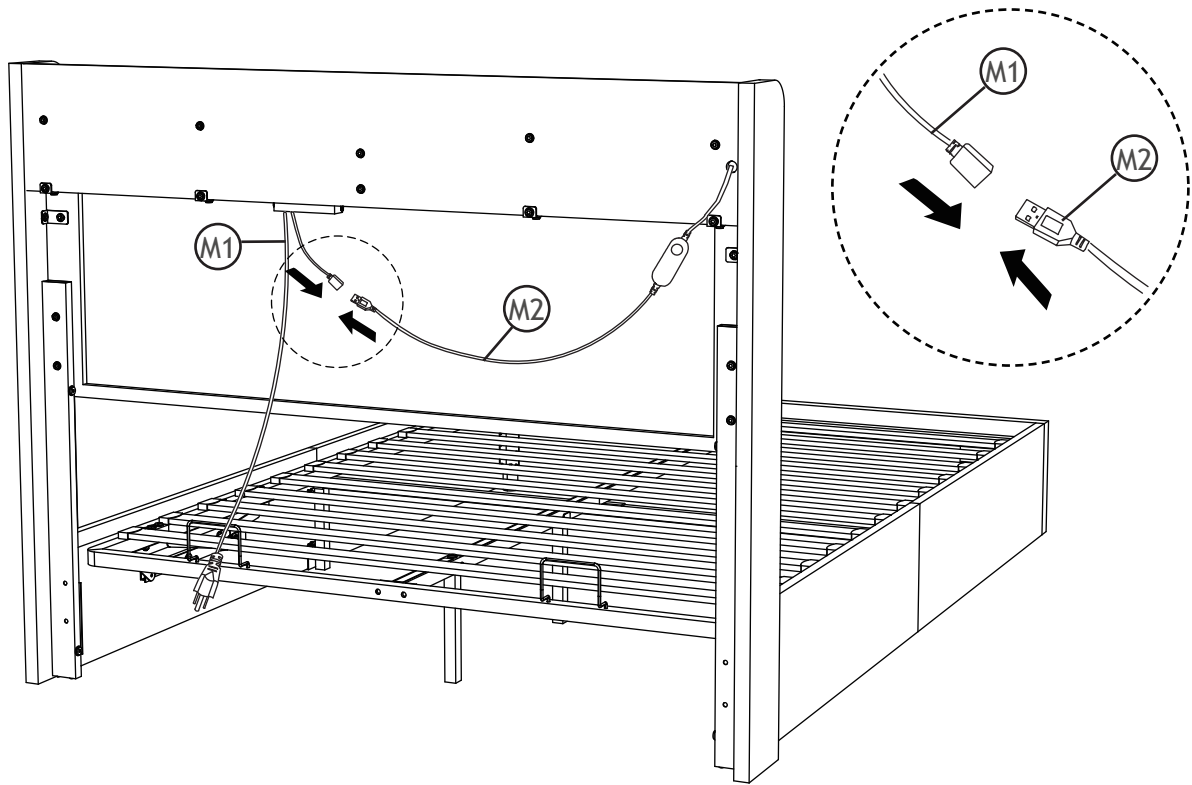


- When the bed frame is used flat, the load-bearing capacity of the bed frame is 800 pounds; when the bed frame is lifted, the load-bearing capacity is 110 pounds.
- When lifting the bed to use the storage function, please note that the maximum weight limit is 110 pounds, and the external force pressing is strictly prohibited to prevent the bed frame from falling and causing injury.

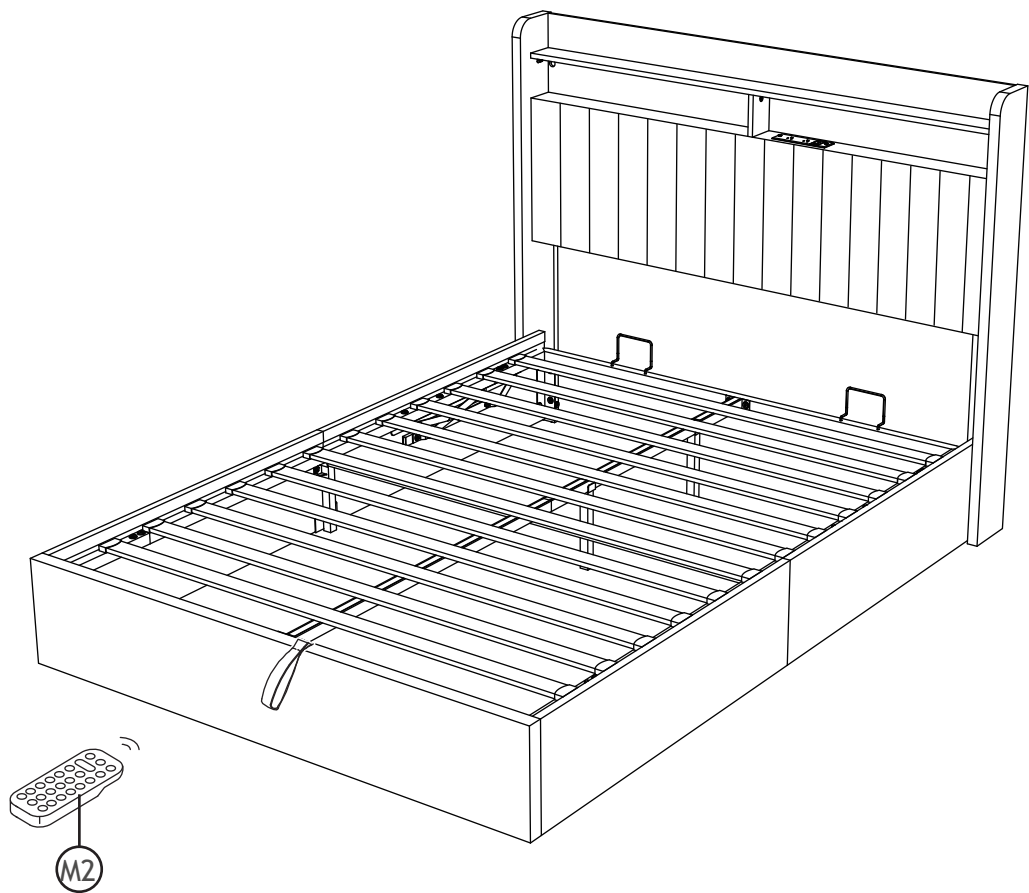


- When using the storage function, please ensure that the upper and lower areas of the bed are safe and free of any biological traces to prevent injury.

27



28

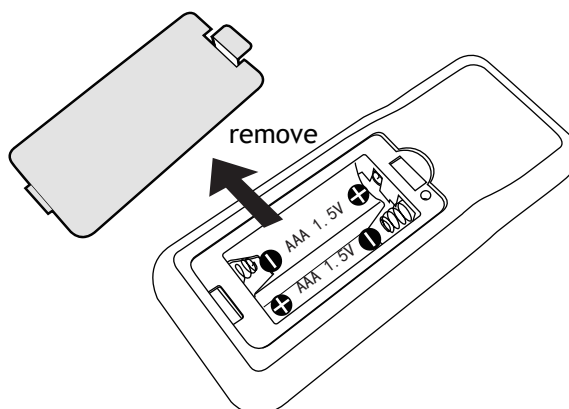


There is a separate manual for the remote control.  
Please refer to the manual for the remote control  
for operation instructions.

# INSTALLATION OF BATTERIES

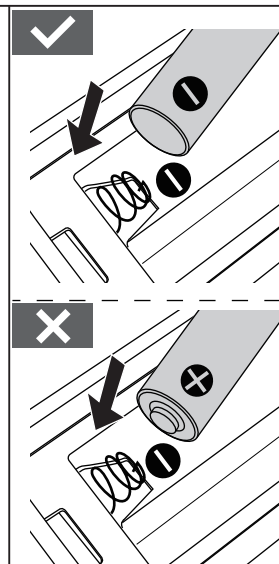
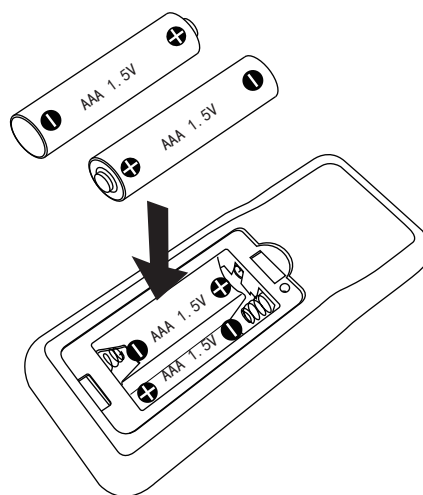
## STEP 1

Remove the plastic back cover of the battery compartment.



## STEP 2

Ensure the positive (+) and negative (-) terminals of the batteries align with the markings inside the battery compartment.



## STEP 3

After installing the new batteries, replace the back cover.

