

ASSEMBLY INSTRUCTION

Sleeper Sofa Bed



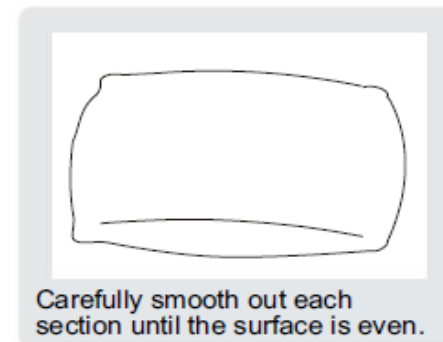
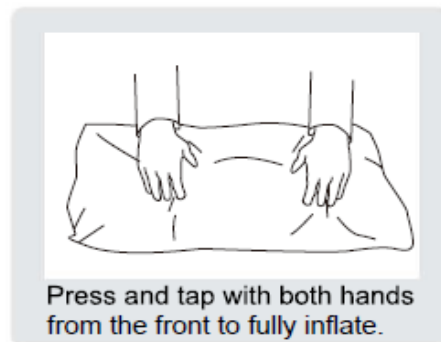
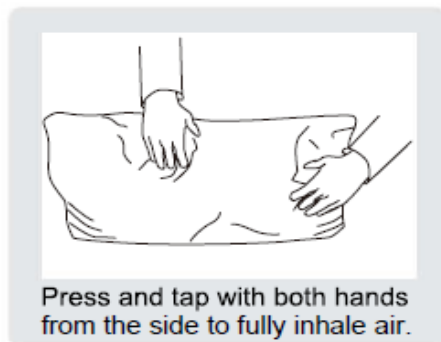
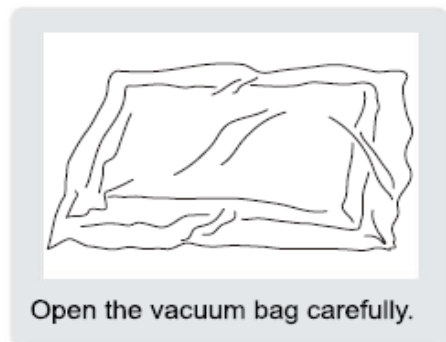
Safety and Care Advice

Important – Please read these instructions fully before starting assembly

Thanks for your purchase. Before assembling, please follow the instructions to check if all the spare parts and screws are intact.

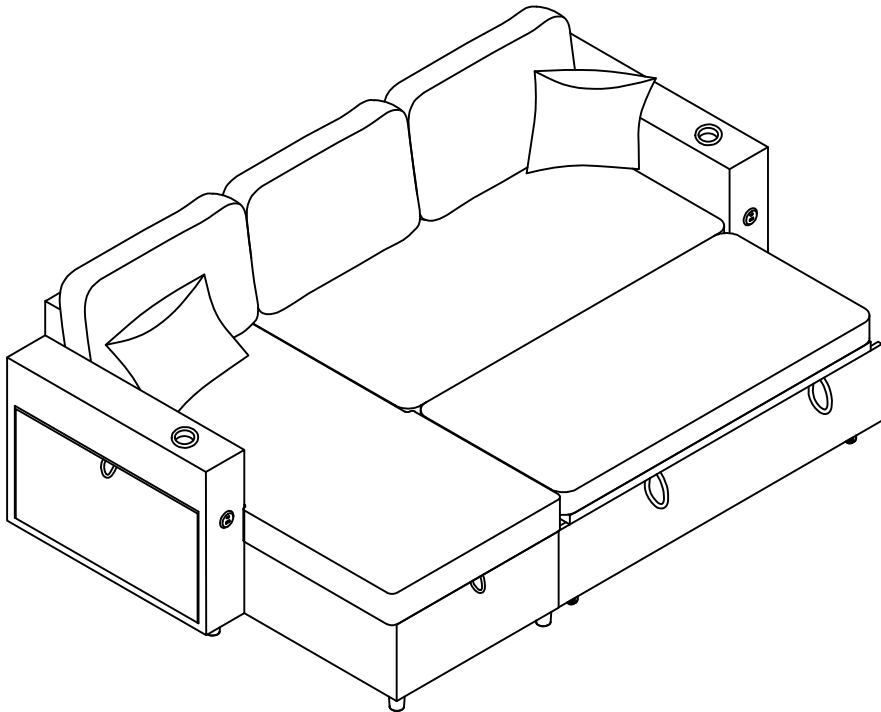
- Considering the size and weight of the sofa, we recommend two adults to assemble the sofa, on a carpeted or padded area, in the room that it is intended for. Approximate assembly time: 120 minutes.
- Keep all components and packaging out of reach of children or animals to avoid the risk of choking or suffocation.
- Please do not throw away any of the packaging or the instruction until you have checked all the components and hardware and the furniture is fully assembled.
- Please do not take off the cover, and do not wash.

Your cushions come vacuum packed and sealed for shipping. To restore the cushion's original shape, follow the steps below.

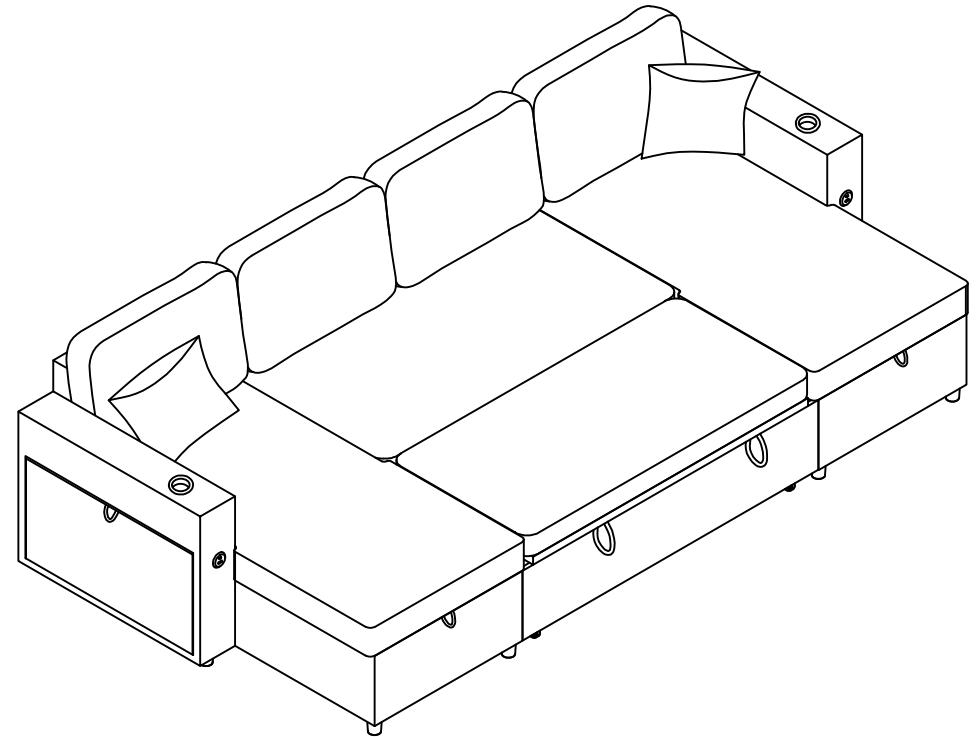


After packing up, place them somewhere dry and ventilated. After about 72-96 hours, it can be restored to the best-use condition.

L-Shaped: Box 1+Box 2



U-Shaped: Box 1+Box 2+Box 3



IMPORTANT SHIPPING NOTES:

L-Shaped Sofa: Includes **Box 1 + Box 2** (Total 2 packages).

U-Shaped Sofa: Includes **Box 1 + Box 2 + Box 3** (Total 3 packages).

Packing List

Important Notice








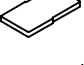




1. This product is shipped in multiple boxes that may arrive separately. Please ensure all boxes are received before beginning assembly.

2. Some accessories are stored inside part C and C1. Open the zippers on part C and C1 to retrieve them.

Below is the list of components included in each box:








Box1

Main Structure Accessories












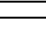
B		Slats X 1
C		Two-Seat Back Frame X 1
D		Two-Seat Left Side Board X 1
D1		Two-Seat Right Side Board X 1
E		Pull-out Front Bezel X 1
F		Back Cushion X 1
F1		Two-Seat Sitting Pad X 1
F3		Chaise Sitting Pad X 1
G		Two-Seat Front Brace X 1
H		Pull-out Metal Frame X 1
R1		Left Armrest X 1
Z		Two-Seat Front Support Wood X 1

Box2

Main Structure Accessories





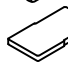
A		Slats X 1
C1		Chaise Back Frame X 1
D2		Chaise lounge base X 1
F		Back Cushion X 2
F2		Pull-out Bed Sitting Pad X 1
F5		Armrest Pillow X 2
R2		Right Armrest X 1

Structural Accessories



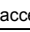






S		Right Pulling Wheel Bracket X 1
S1		Left Pulling Wheel Bracket X 1
M		Sofa Legs X 10
M2		Washer X 10
N		M8X30mm Bolt X 7
N1		M8X45mm Bolt X 4
P		M8 Allen Key X 1
P1		Small Gaskets X 7
P2		Big Gaskets X 6
T		M8X50mm Bolt X 1
U		M5X17mm Bolt X 4
Z2		Chaise Support Wood X 2

Box3

Main Structure Accessories

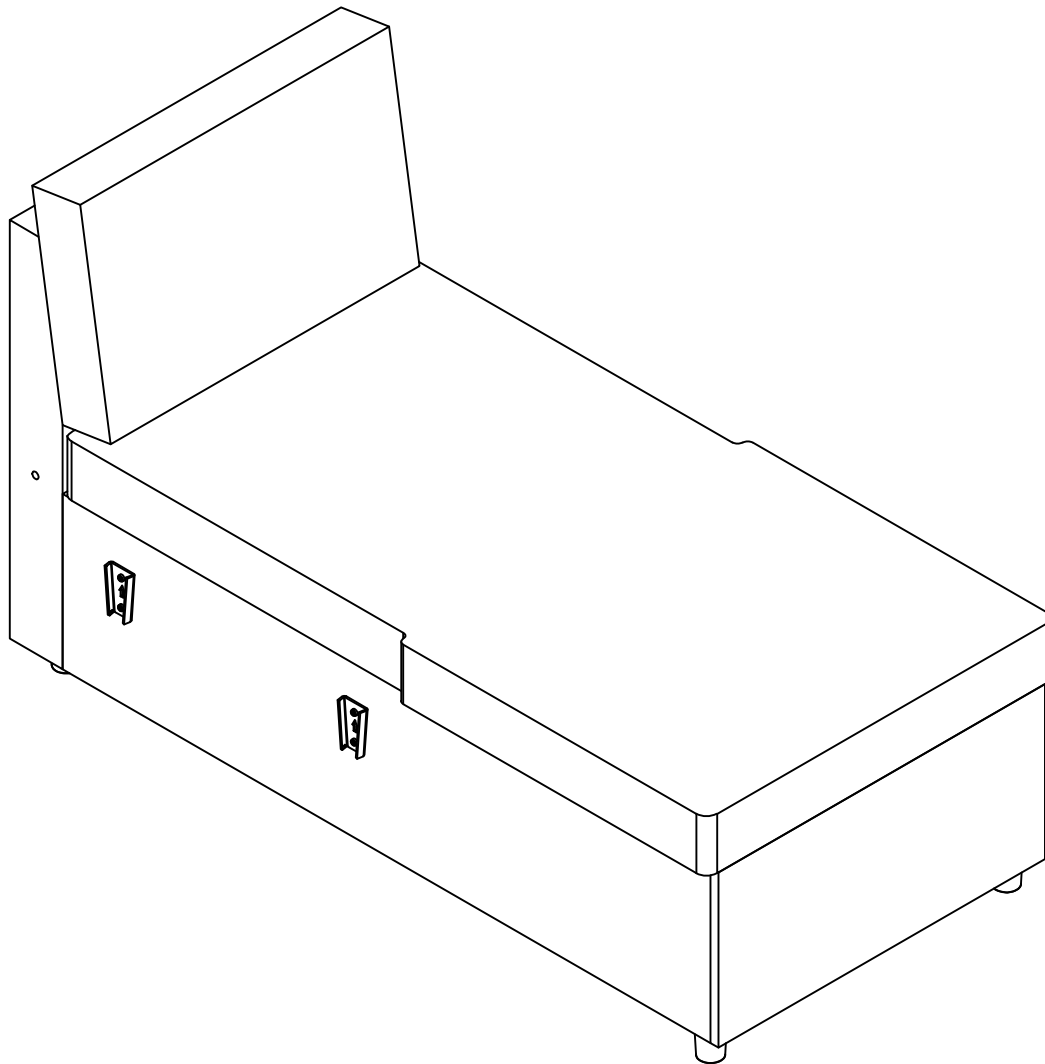
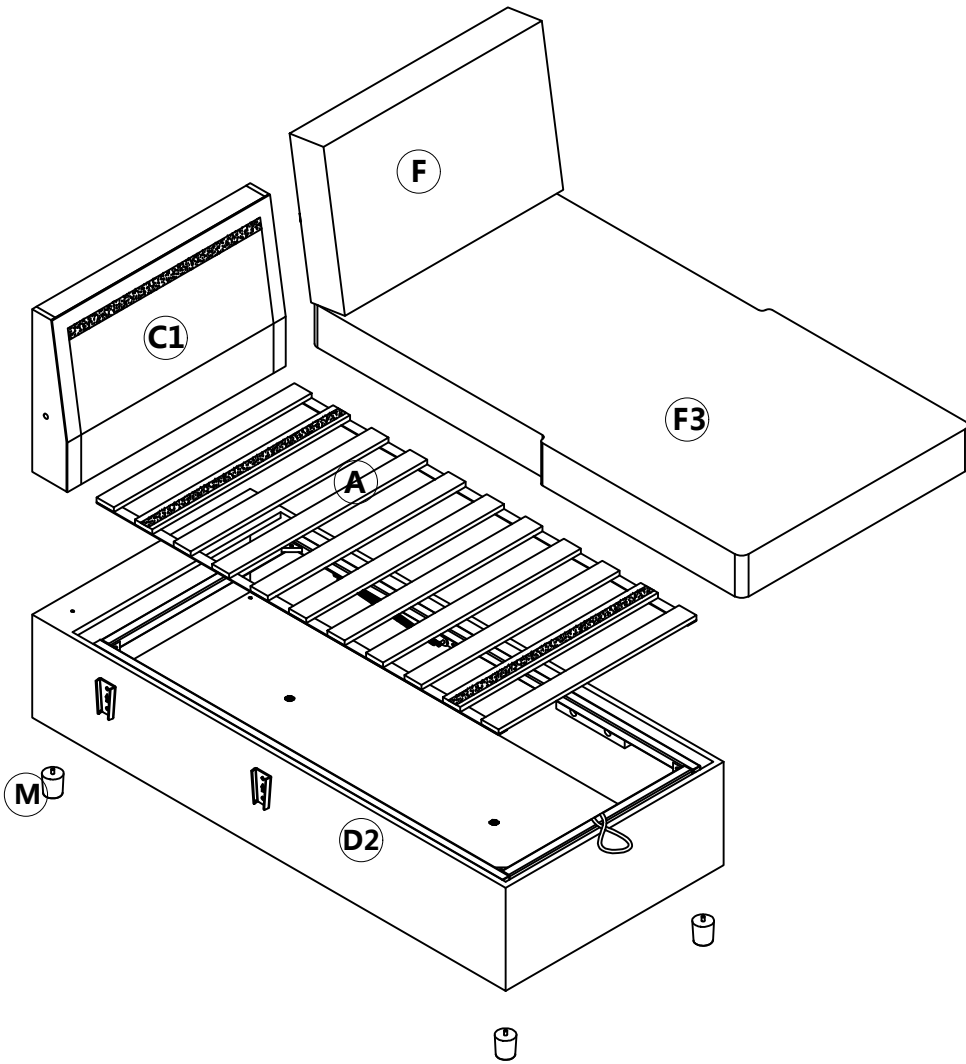
A		Slats X 1
C1		Chaise Back Frame X 1
D2		Chaise lounge base X 1
F		Back Cushion X 1
F3		Chaise Sitting Pad X 1

Structural Accessories

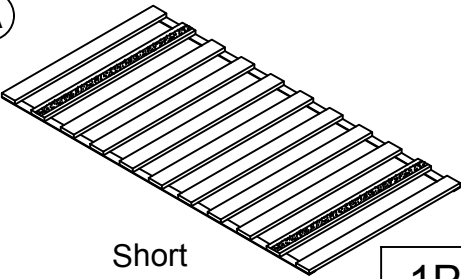
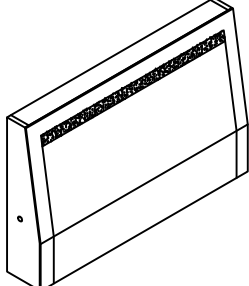
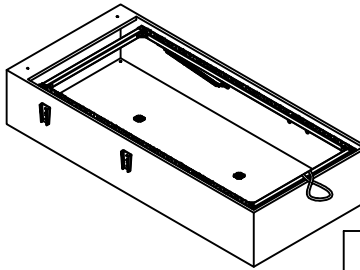
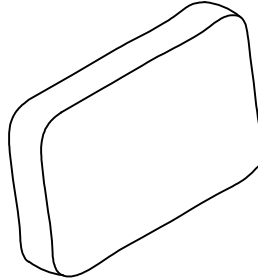
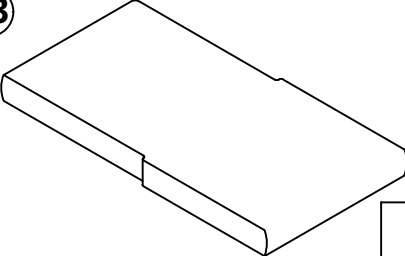
M		Sofa Legs X 4
M2		Washer X 4
Z2		Chaise Support Wood X 2
Screw accessories box		
N		M8X30mm Bolt X 4
N1		M8X45mm Bolt X 2
P		M8 Allen Key X 1
P1		Small Gaskets X 4
P2		Big Gaskets X 4
T		M8X50mm Bolt X 1

IMPORTANT INSTALLATION NOTE:
The U-Shaped Sofa requires two installations of the Chaise section.

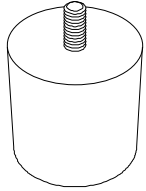
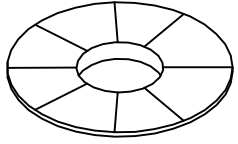
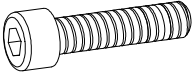
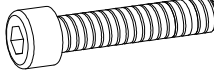
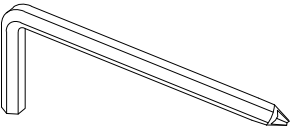
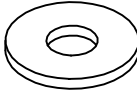
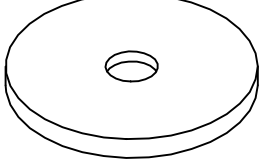
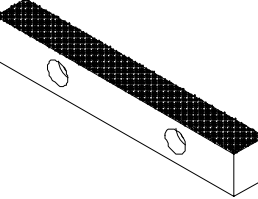
CHAISE SECTION



Main Structure Accessories

<p>A</p>  <p>Short</p> <p>1PC</p>	<p>C1</p>  <p>1PC</p>	<p>D2</p>  <p>1PC</p>	<p>F</p>  <p>1PC</p>
<p>F3</p>  <p>1PC</p>			

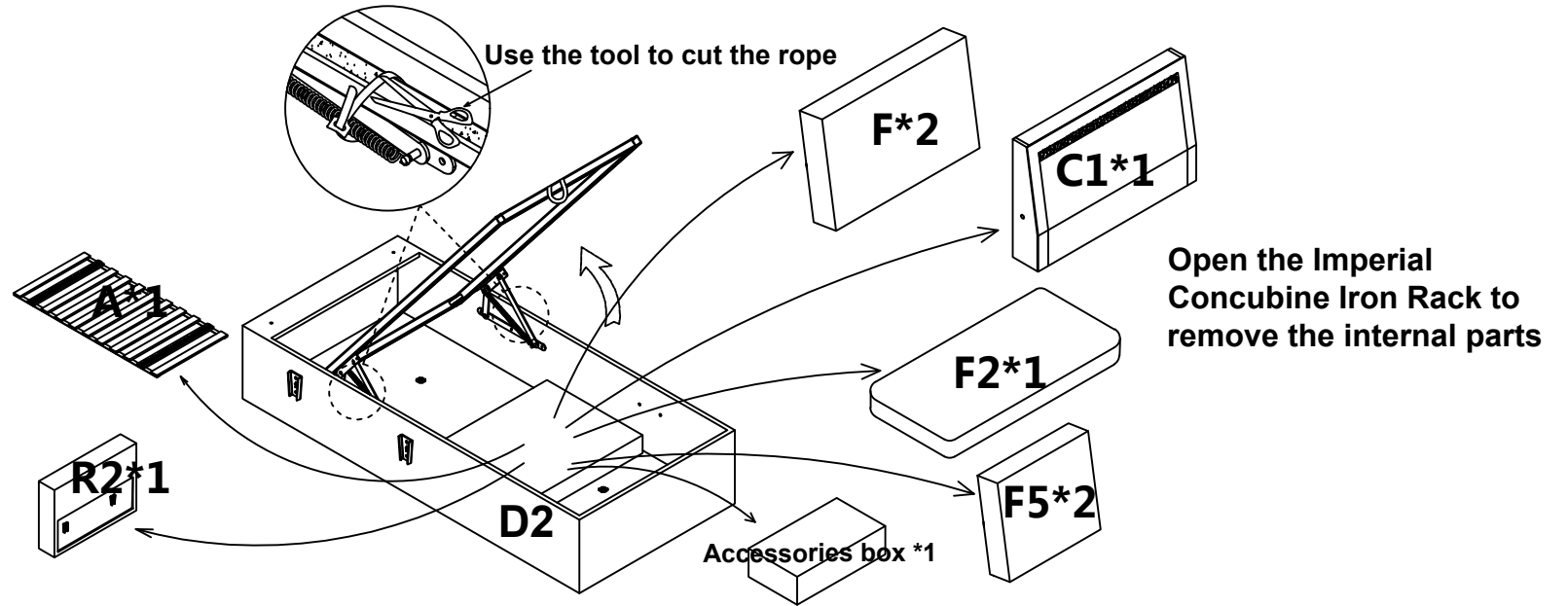
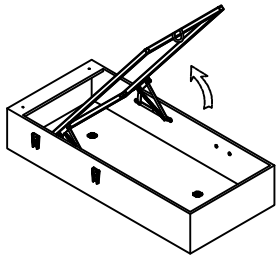
Structural Accessories

<p>M</p>  <p>4PCS</p>	<p>M2</p>  <p>4PCS</p>	<p>N</p>  <p>M8X30mm</p> <p>4PCS</p>	<p>N1</p>  <p>M8X45mm</p> <p>2PCS</p>
<p>P</p>  <p>1PC</p>	<p>P1</p>  <p>Small</p> <p>4PCS</p>	<p>P2</p>  <p>Big</p> <p>2PCS</p>	<p>Z2</p>  <p>2PCS</p>

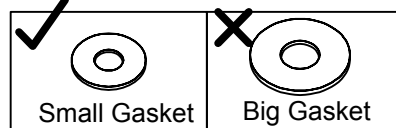
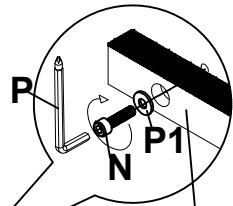
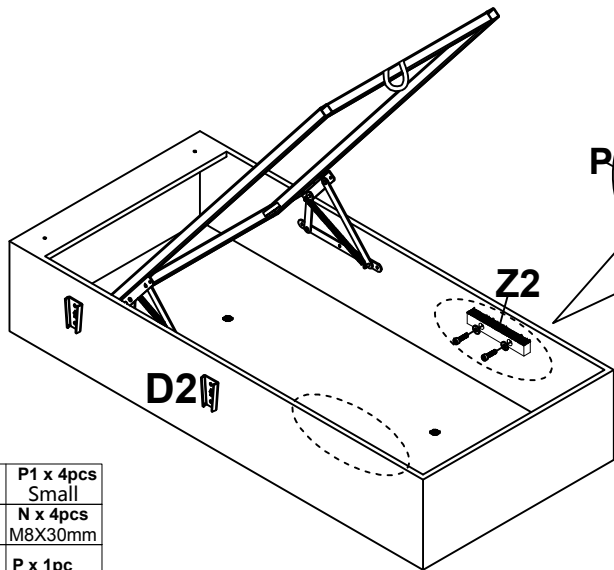
STEP 1



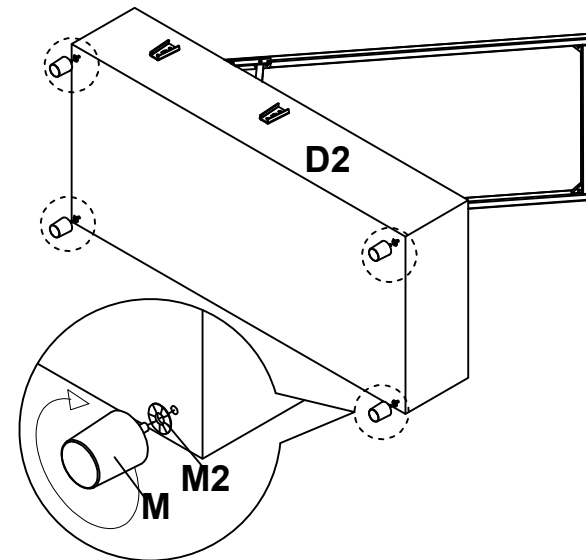
Notice:
When installing the CHAISE, please be careful of the iron frame bounces up and be careful not to be injured.



STEP 2

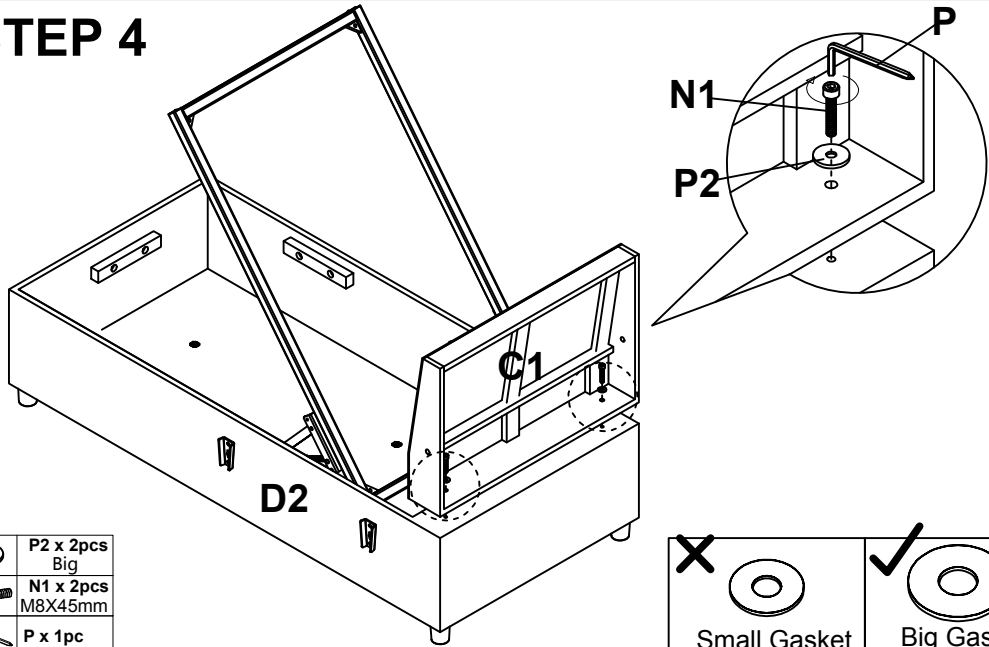


STEP 3

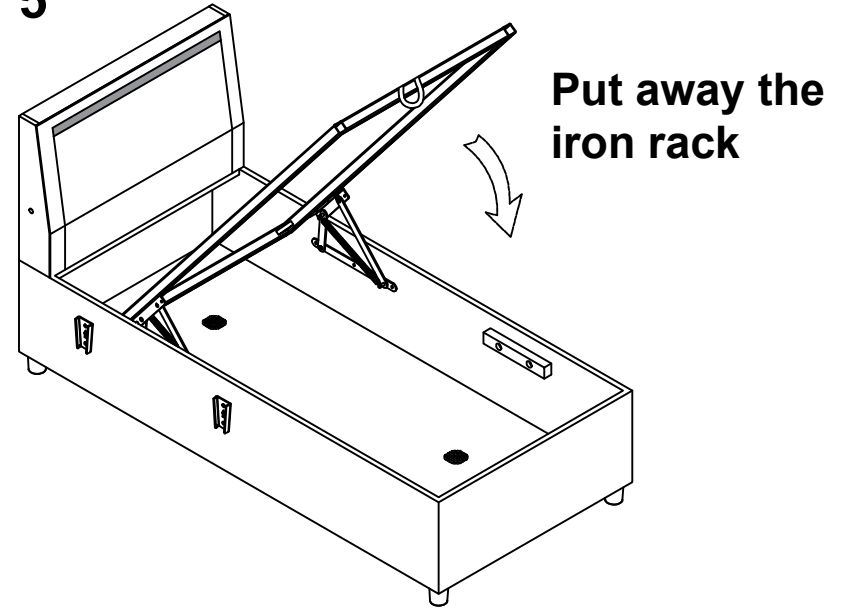


-  P1 x 4pcs
Small
-  N x 4pcs
M8X30mm
-  P x 1pc

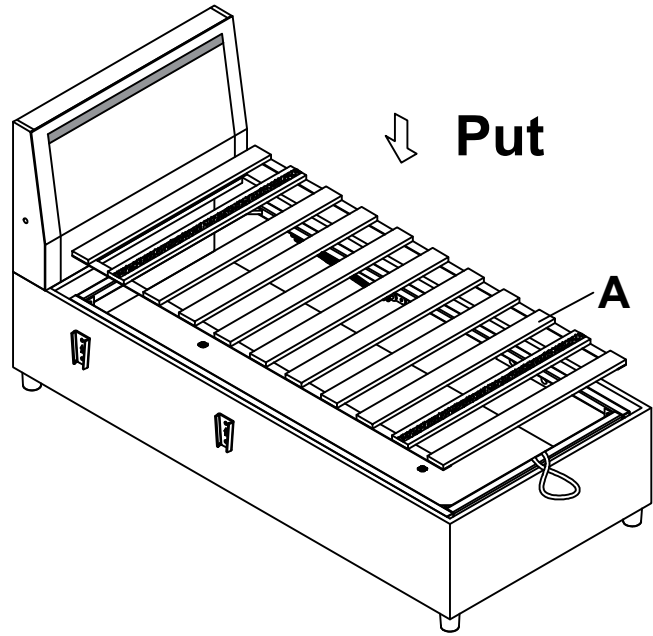
STEP 4



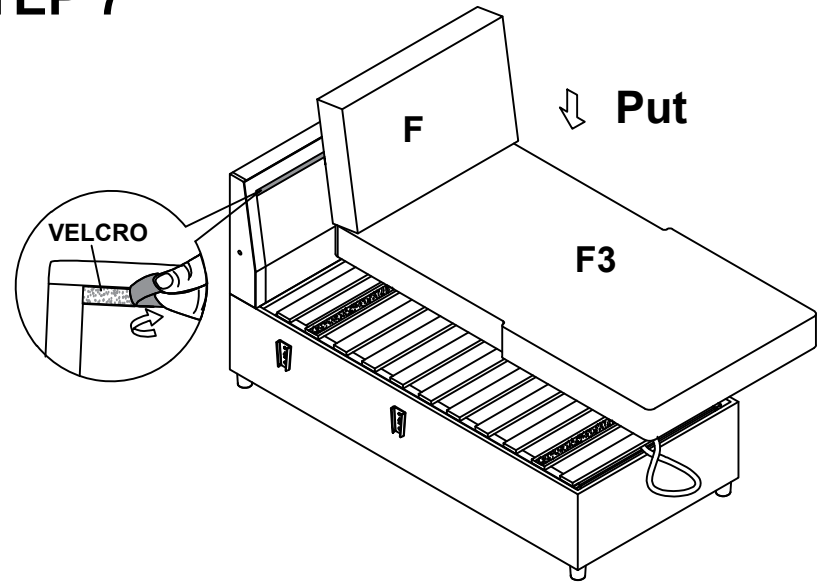
STEP 5



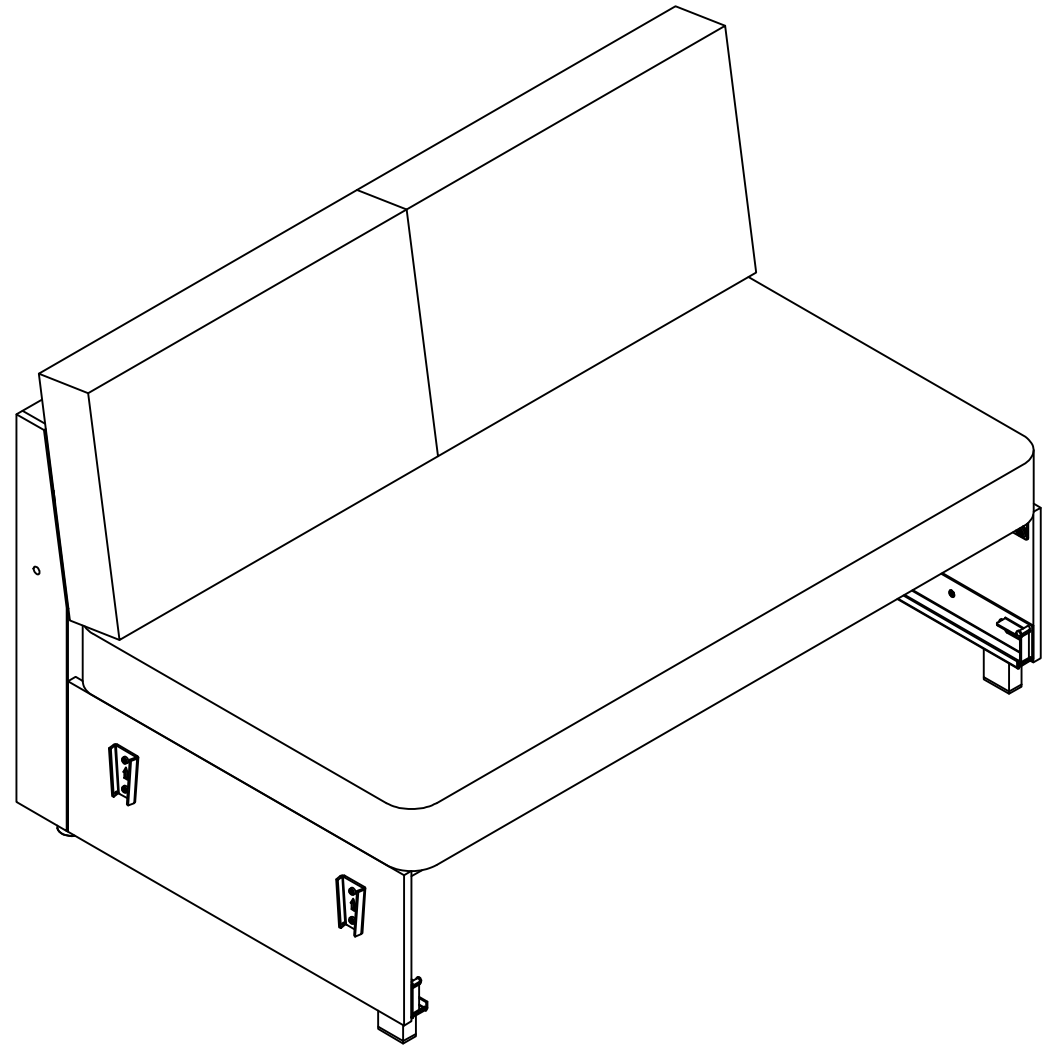
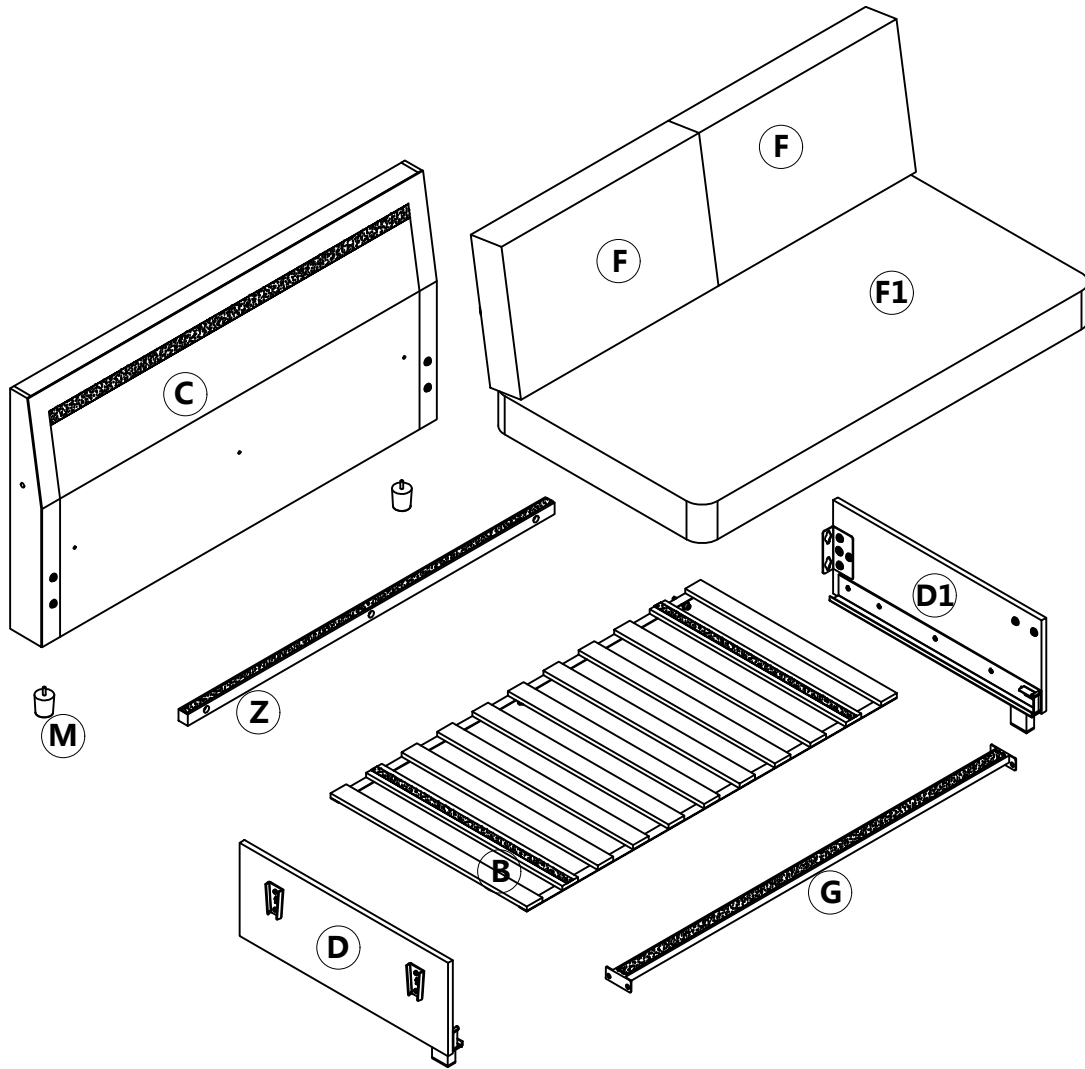
STEP 6



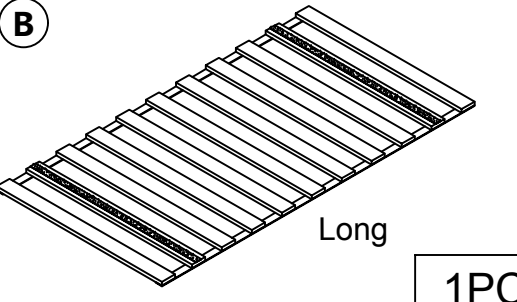
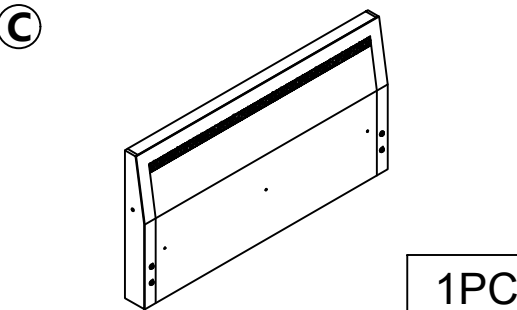
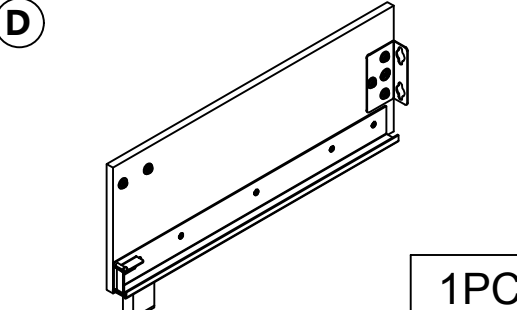
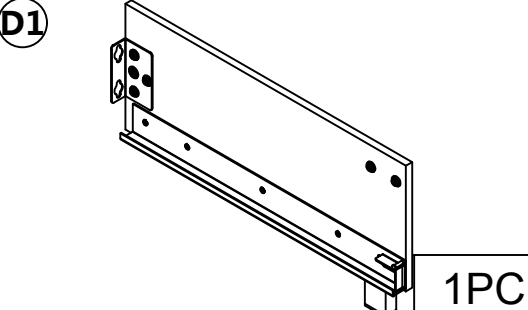
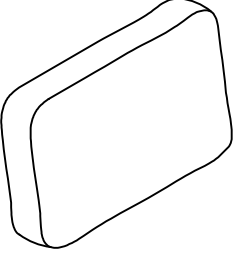
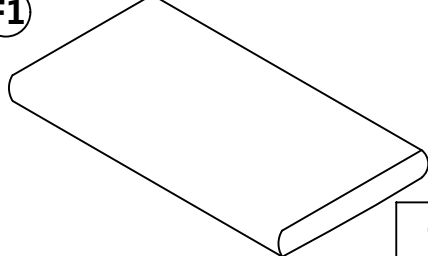
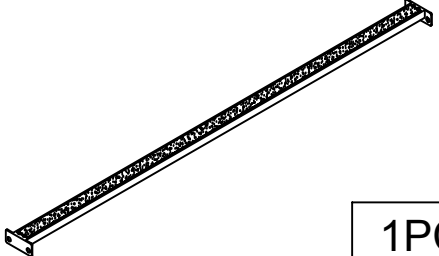
STEP 7



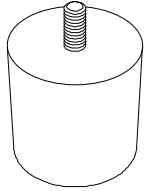
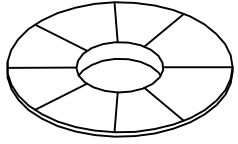
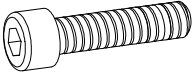
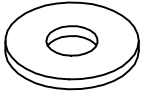
LOVESEAT SECTION



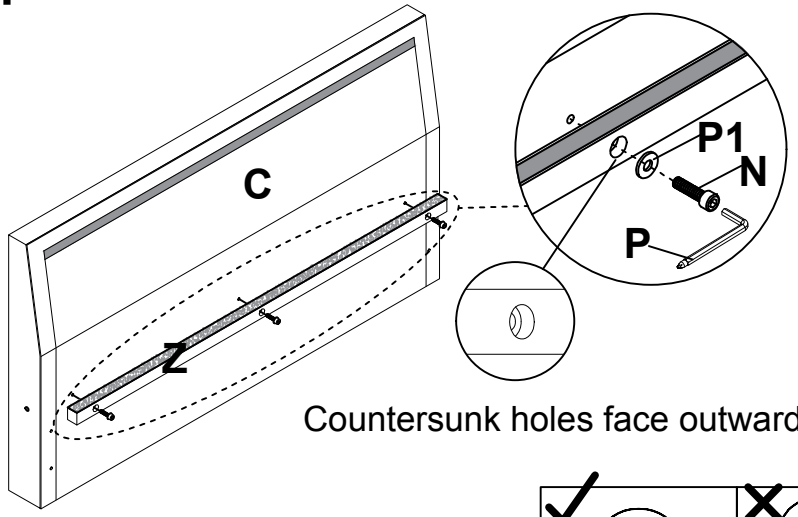
Main Structure Accessories

<p>B</p>  <p>Long</p> <p>1PC</p>	<p>C</p>  <p>1PC</p>	<p>D</p>  <p>1PC</p>	<p>D1</p>  <p>1PC</p>
<p>F</p>  <p>2PCS</p>	<p>F1</p>  <p>1PC</p>	<p>G</p>  <p>1PC</p>	




Structural Accessories

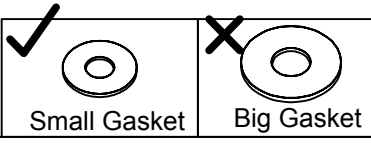
<p>M</p>  <p>2PCS</p>	<p>M2</p>  <p>2PCS</p>	<p>N</p>  <p>M8X30mm</p> <p>3PCS</p>	<p>P1</p>  <p>Small</p> <p>3PCS</p>

STEP 1

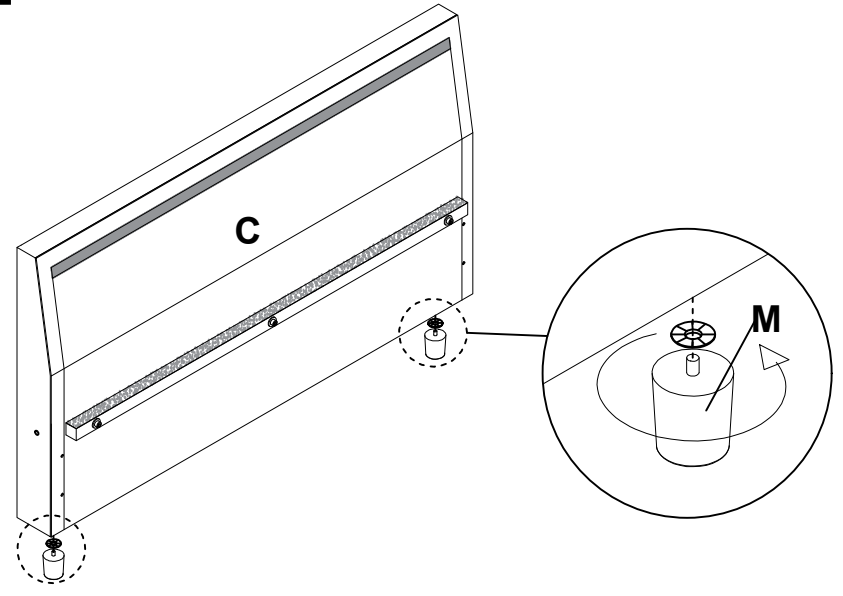


Countersunk holes face outward.

-  P1 x 3pcs
Small
-  N x 3pcs
M8X30mm
-  P x 1pc

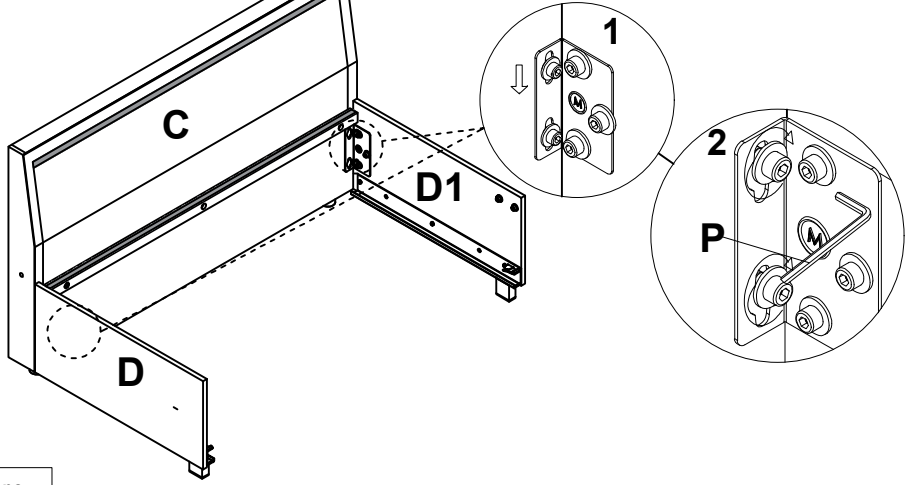


STEP 2



STEP 3

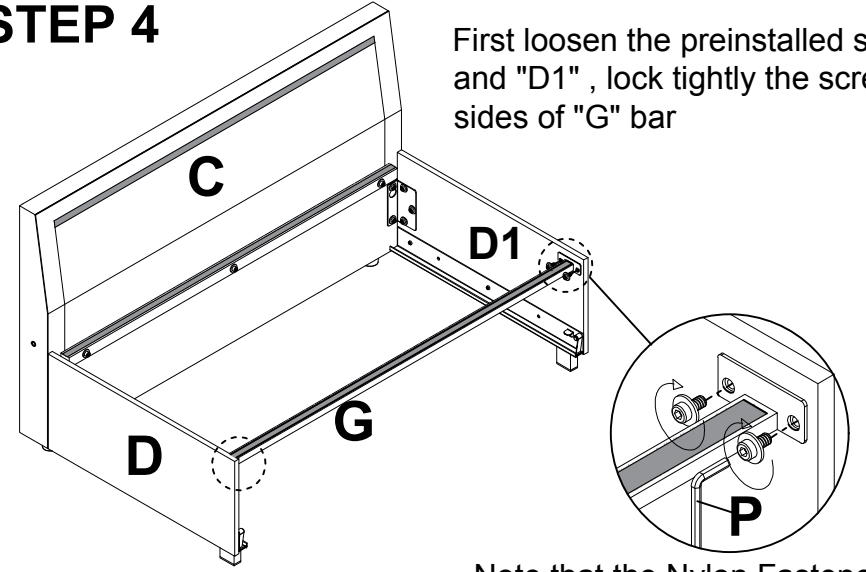
First loosen the screw 50%, then hang the side plate, and then tighten the screw again




-  P x 1pc

STEP 4

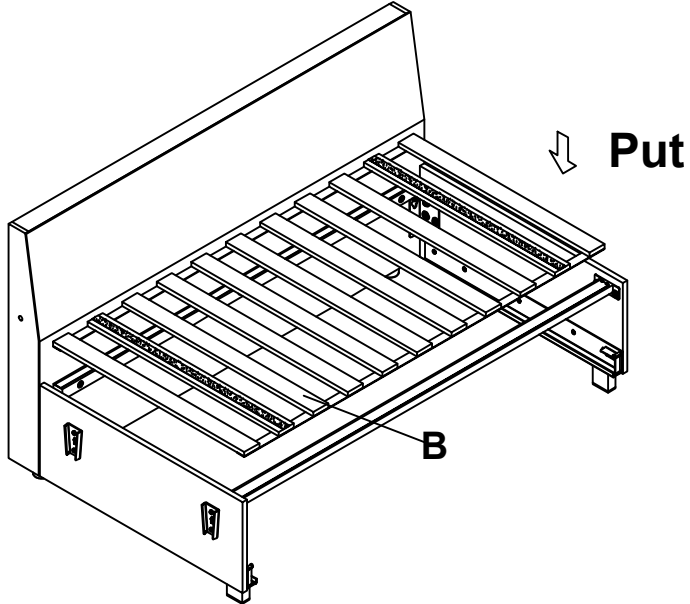
First loosen the preinstalled screws of "D" and "D1", lock tightly the screws on both sides of "G" bar



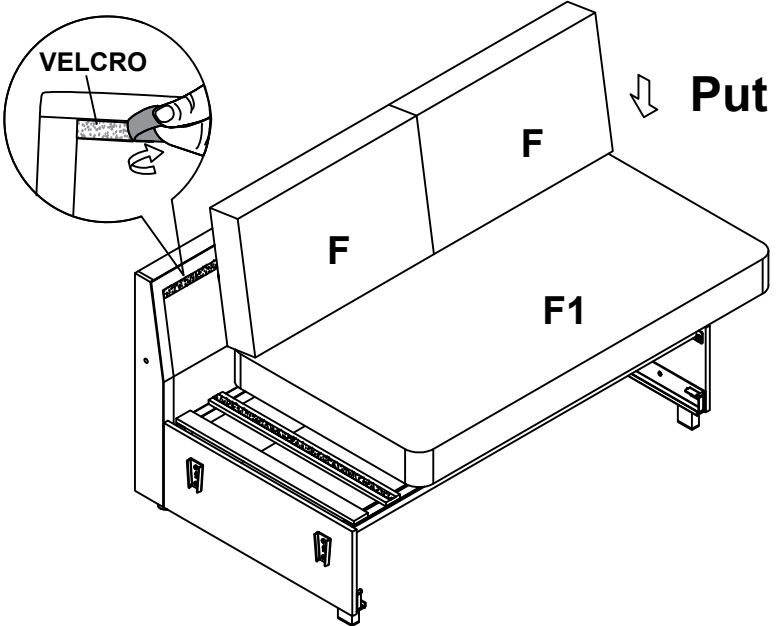
Note that the Nylon Fastener is facing upwards

-  P x 1pc

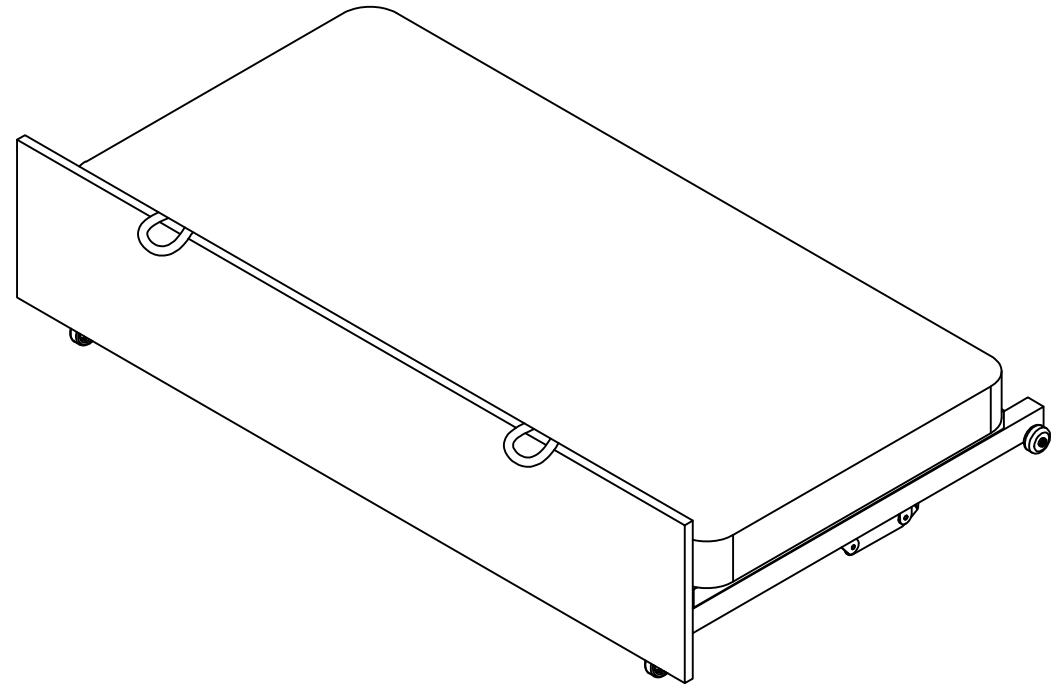
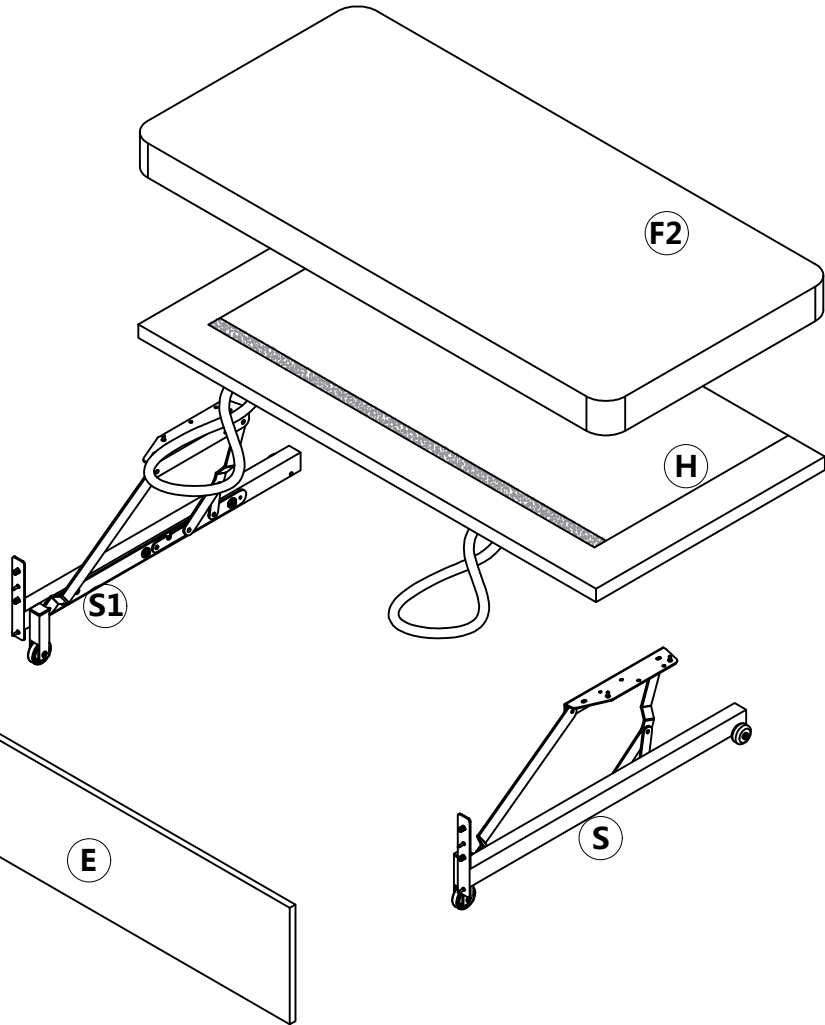
STEP 5



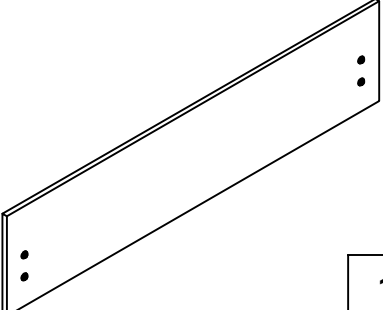
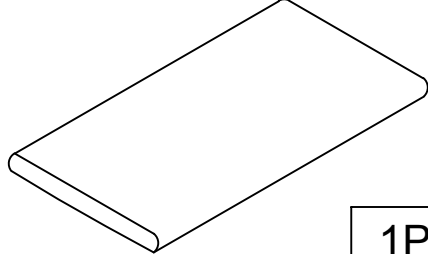
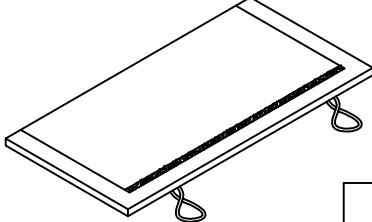
STEP 6



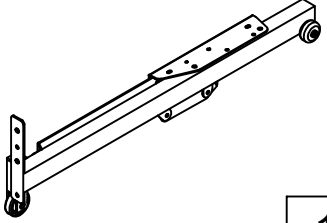
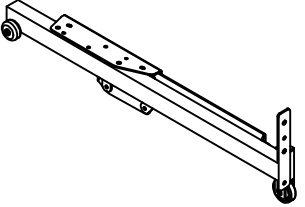
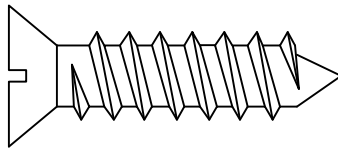
PULL-OUT SECTION



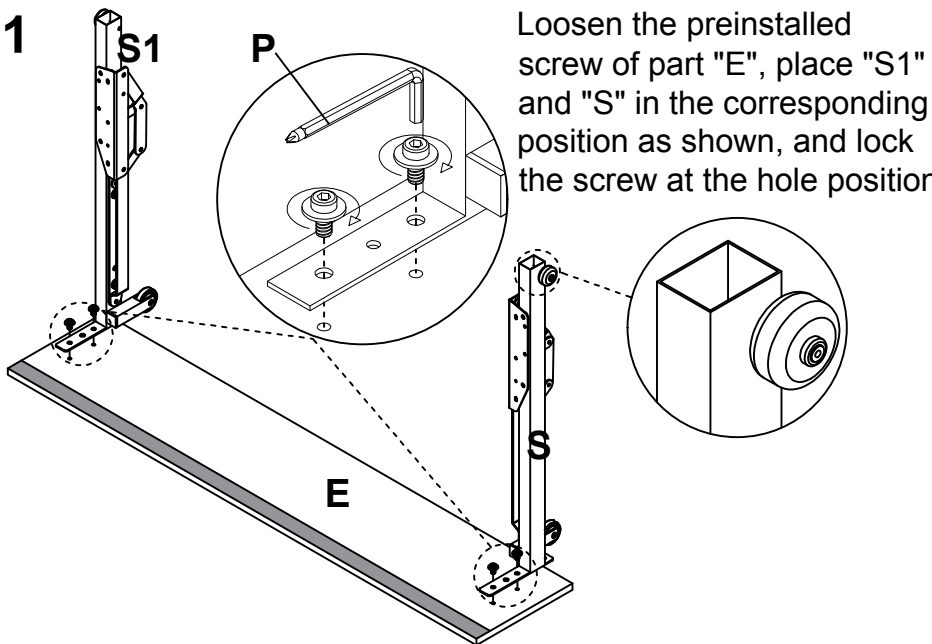
Main Structure Accessories

 <p>E</p> <p>1PC</p>	 <p>F2</p> <p>1PC</p>	 <p>H</p> <p>1PC</p>	

Structural Accessories

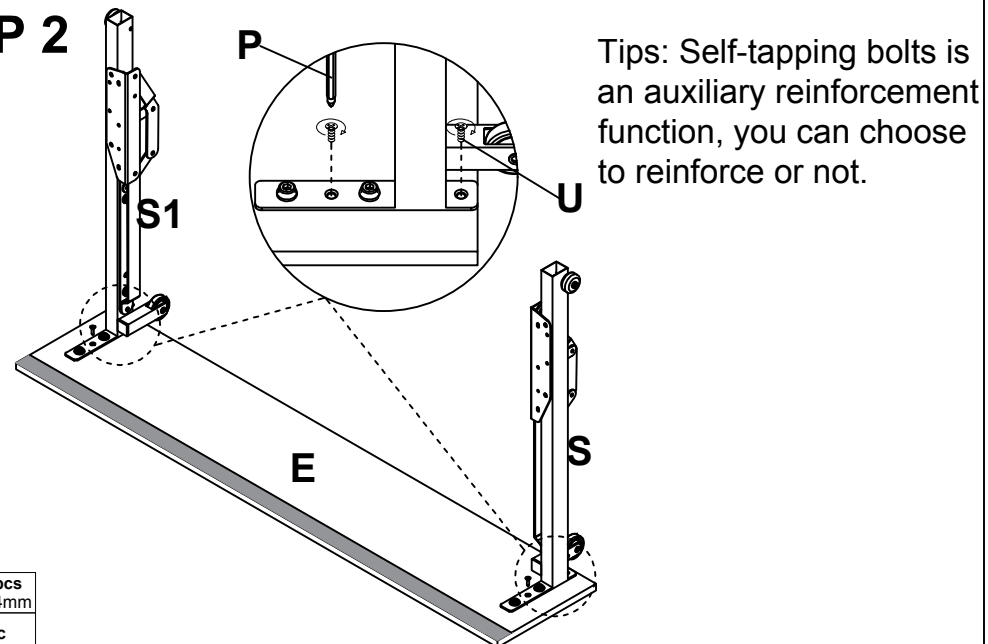
 <p>S</p> <p>1PC</p>	 <p>S1</p> <p>1PC</p>	 <p>U</p> <p>4PCS</p>	

STEP 1



P x 1pc

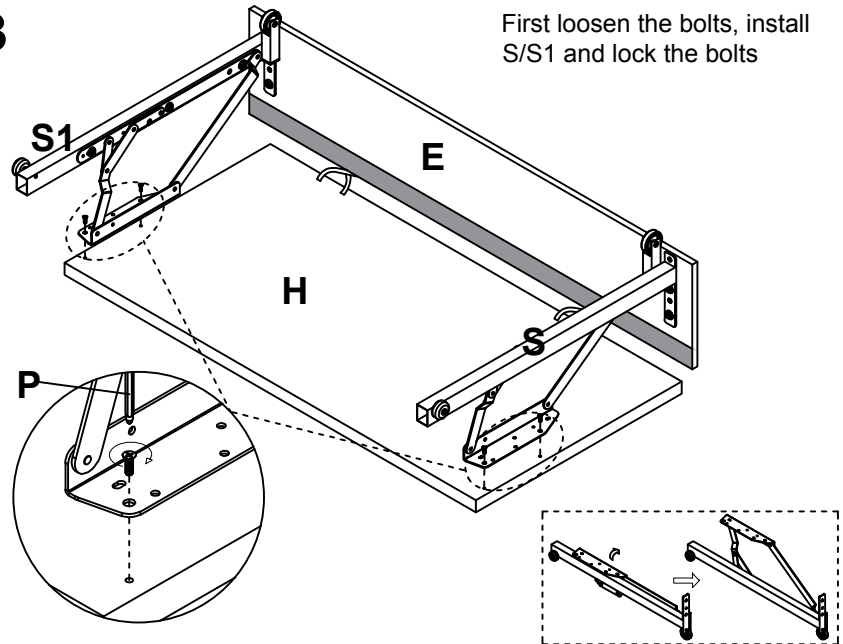
STEP 2



U x 4pcs
M5X14mm

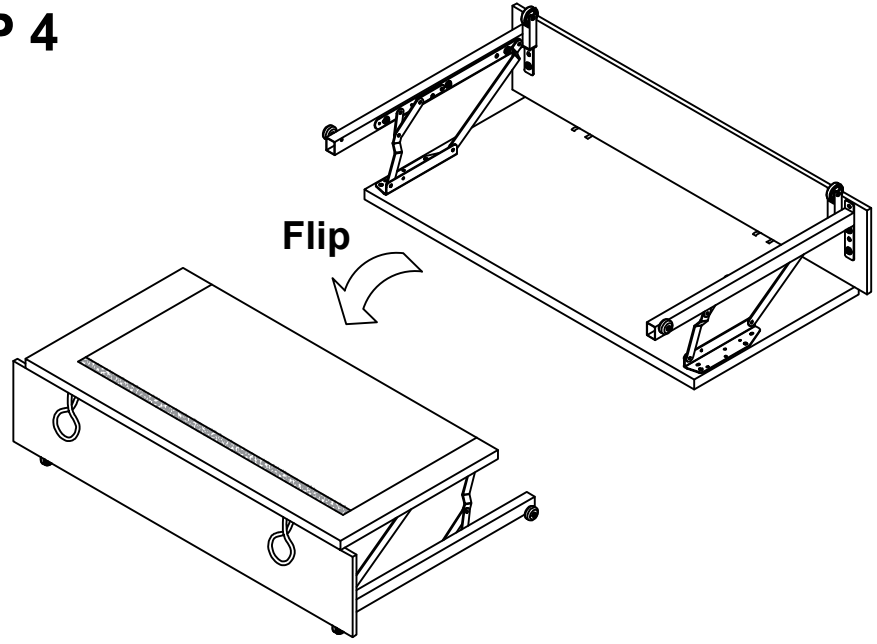
P x 1pc

STEP 3

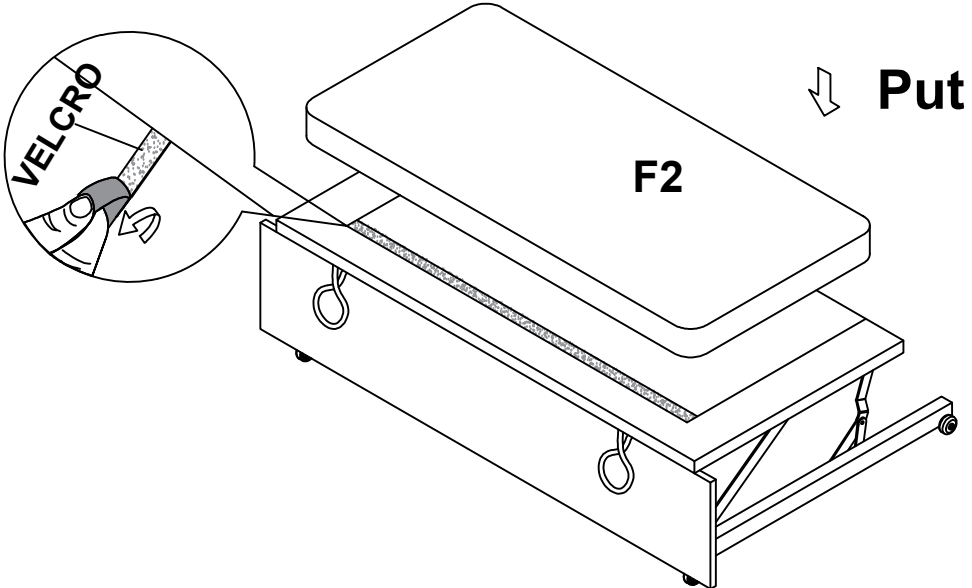


P x 1pc

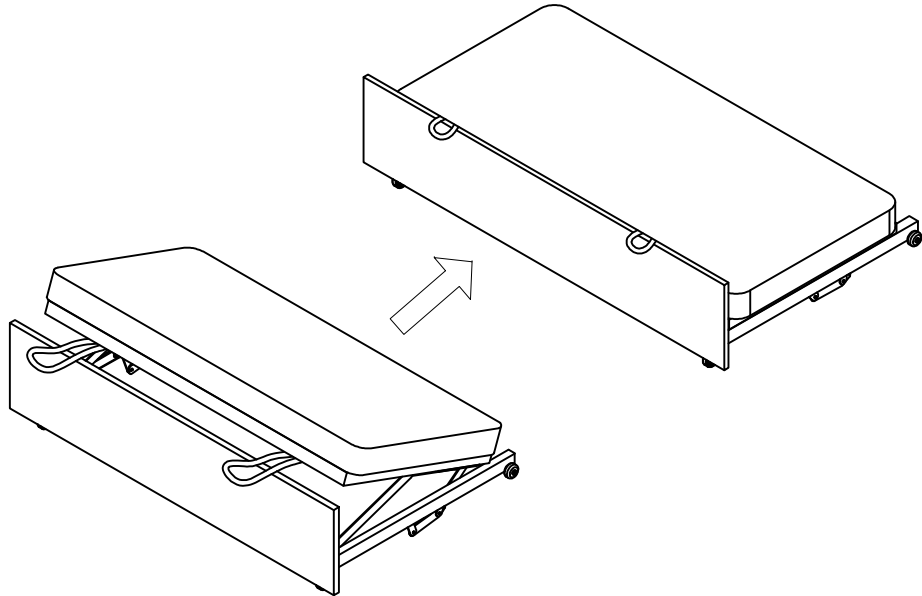
STEP 4



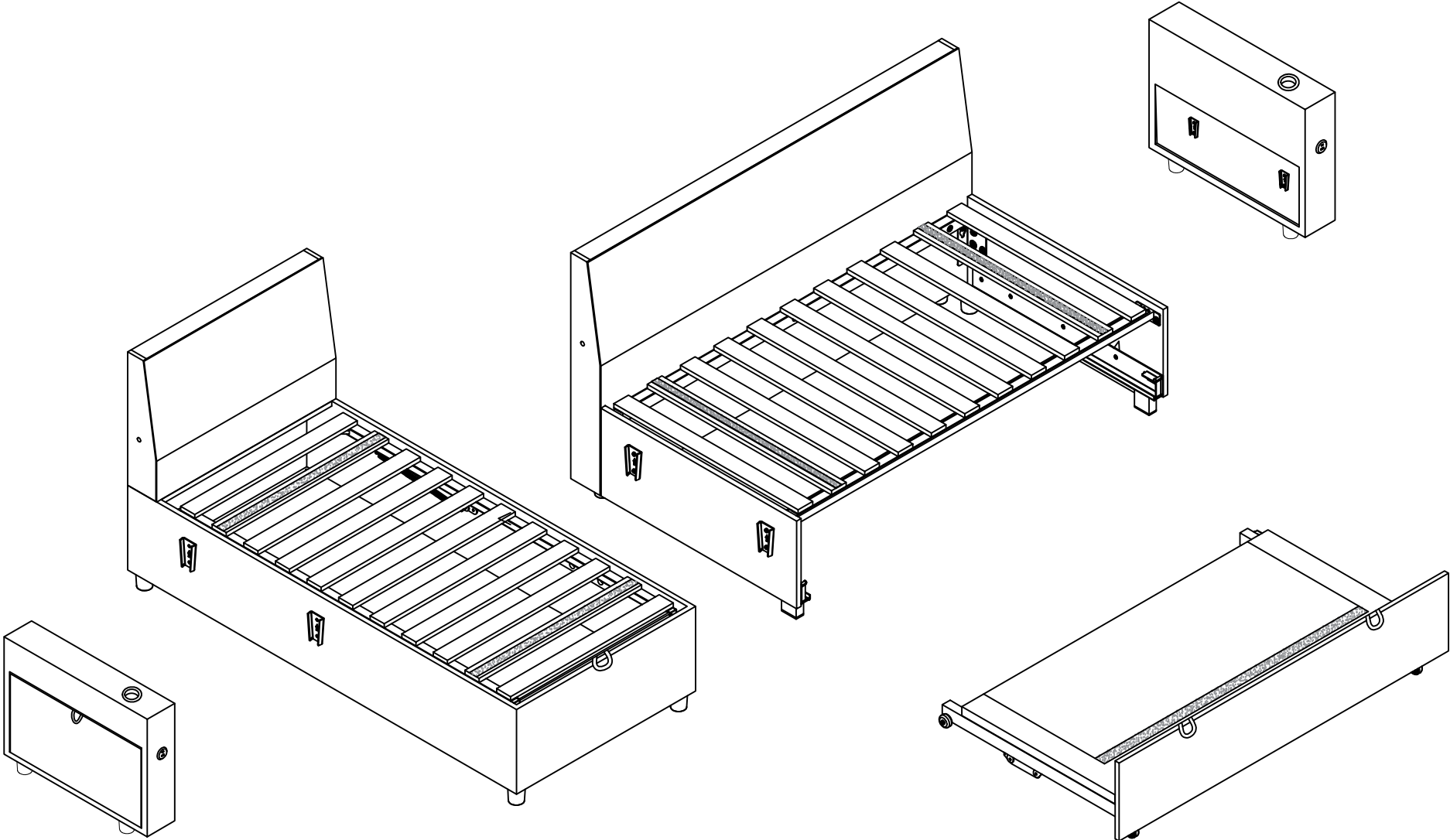
STEP 5



STEP 6

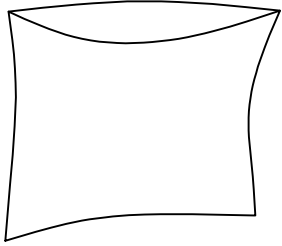


How to Connect Chaise, Loveseat & Pull-Out Bed for L-Shaped Sofa



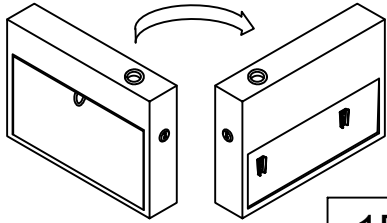
Main Structure Accessories

F5



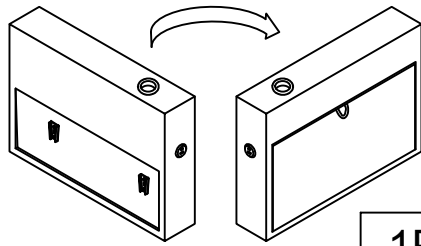
2PCS

R1



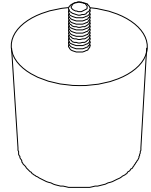
1PC

R2



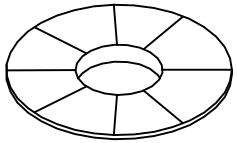
1PC

M



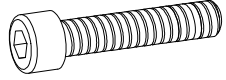
4PCS

M2



4PCS

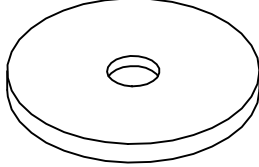
N1



M8X45mm

2PCS

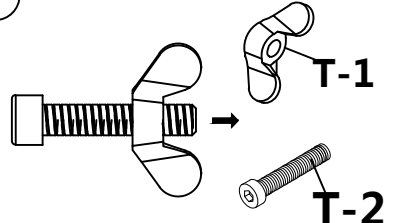
P2



Big

4PCS

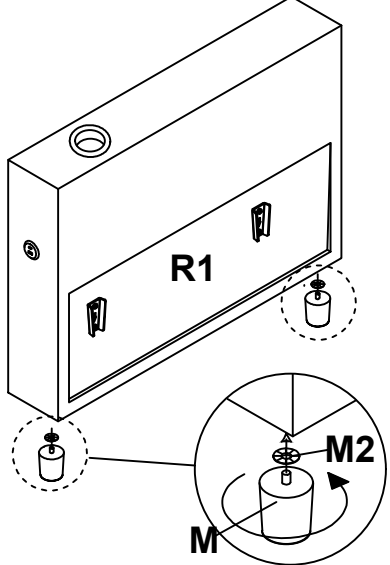
T



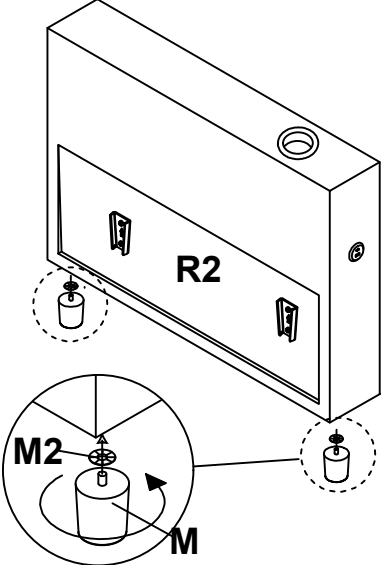
M8X50mm

1PC

STEP 1

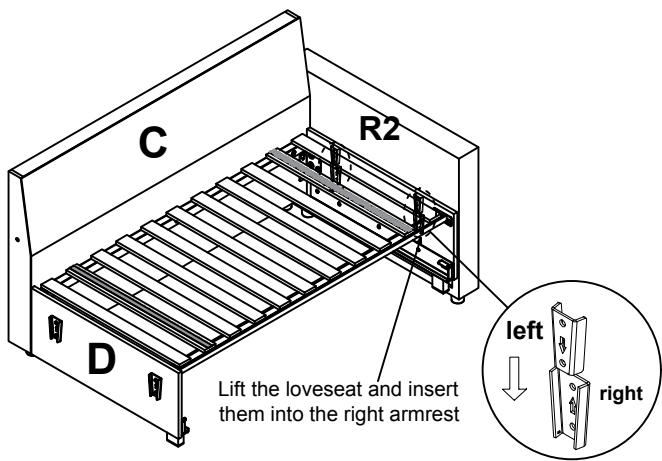


STEP 2

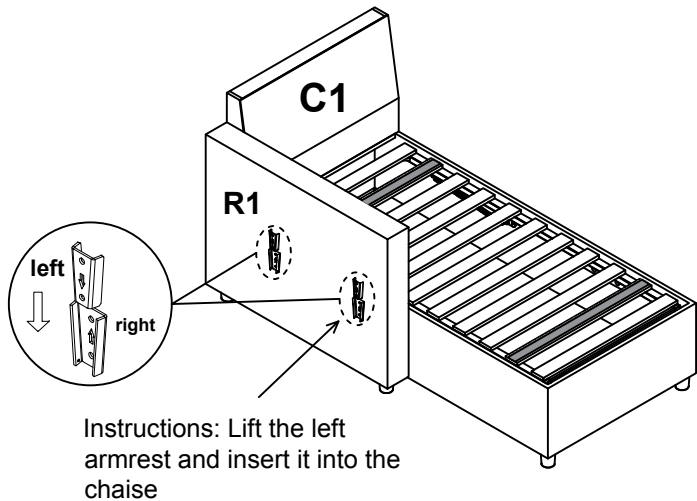


Configuration A: When the Chaise is on the Left Side

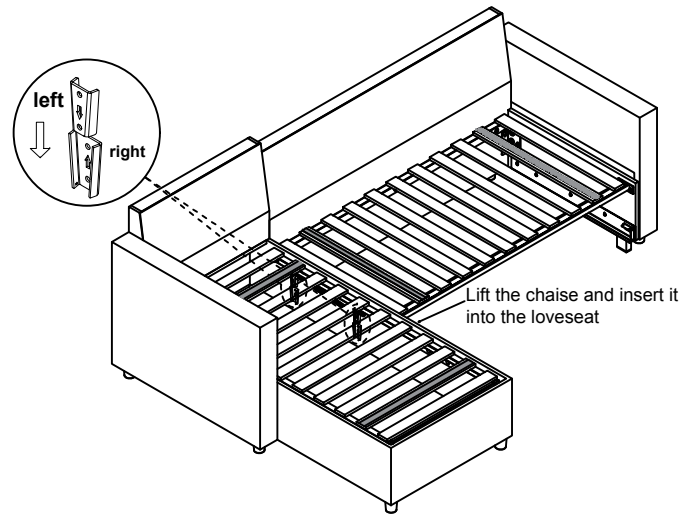
STEP 1



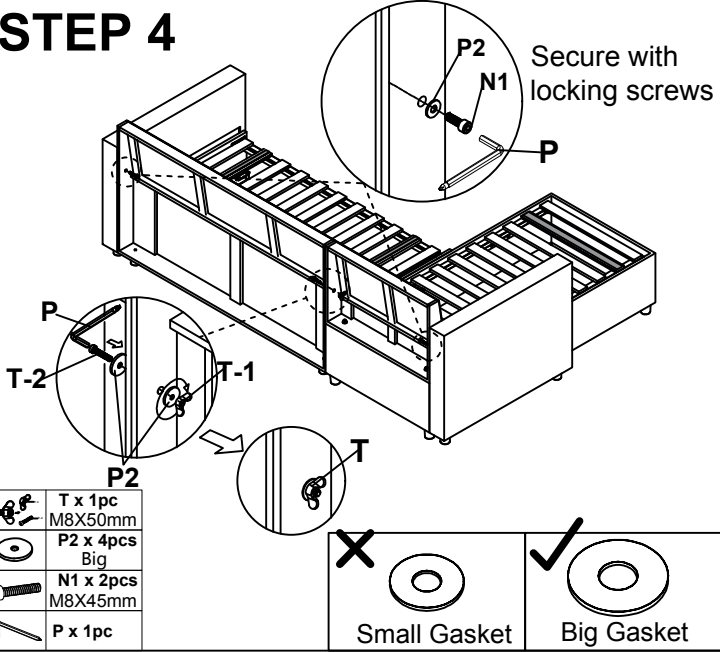
STEP 2



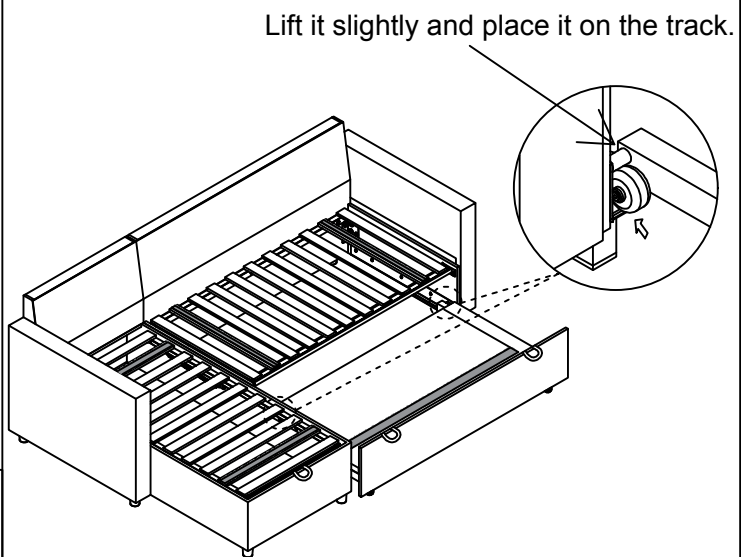
STEP 3



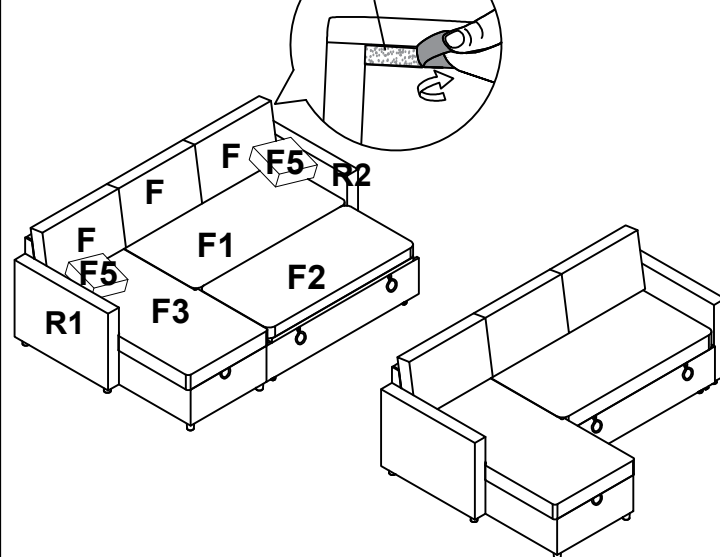
STEP 4



STEP 5



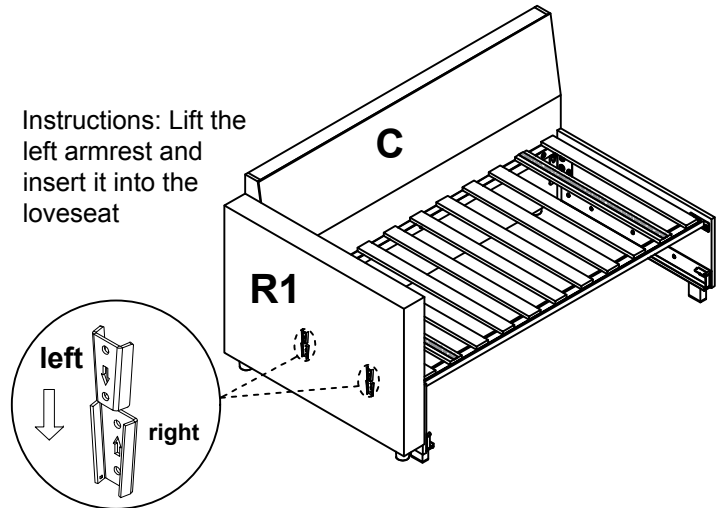
STEP 6



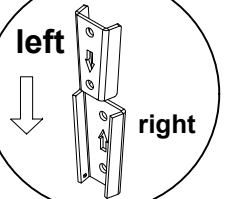
Configuration B: When the Chaise is on the Right Side

STEP 1

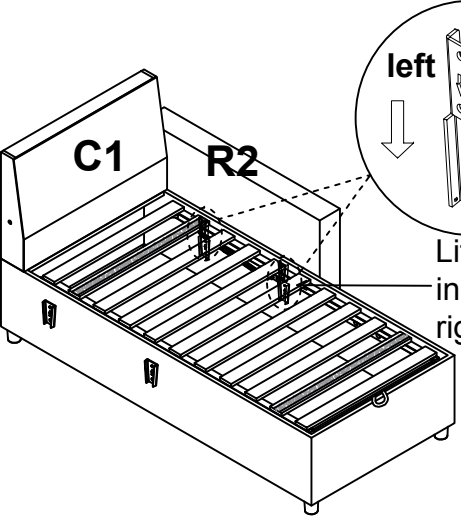
Instructions: Lift the left armrest and insert it into the loveseat



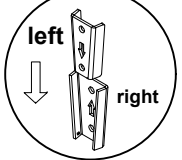
STEP 2



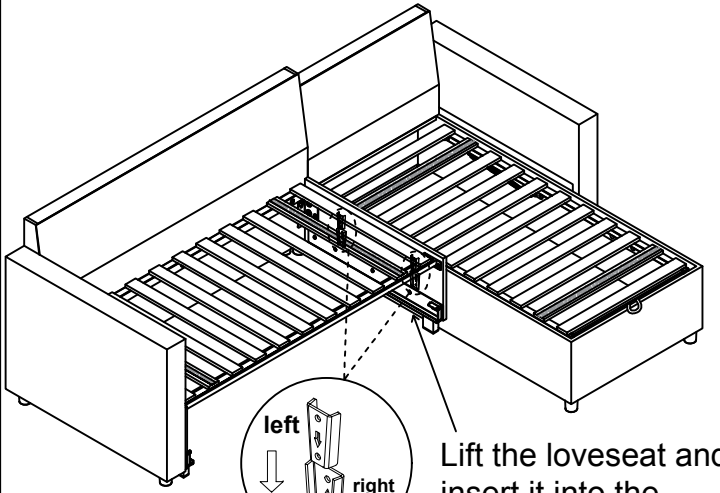
Lift the chaise and insert it into the right armrest



STEP 3

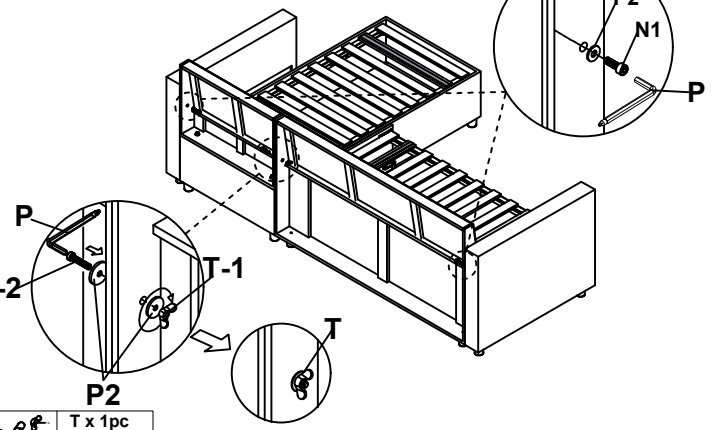
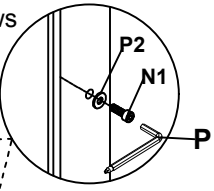


Lift the loveseat and insert it into the chaise

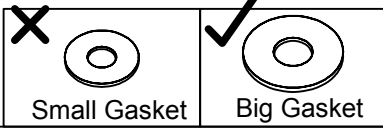


STEP 4

Secure with locking screws

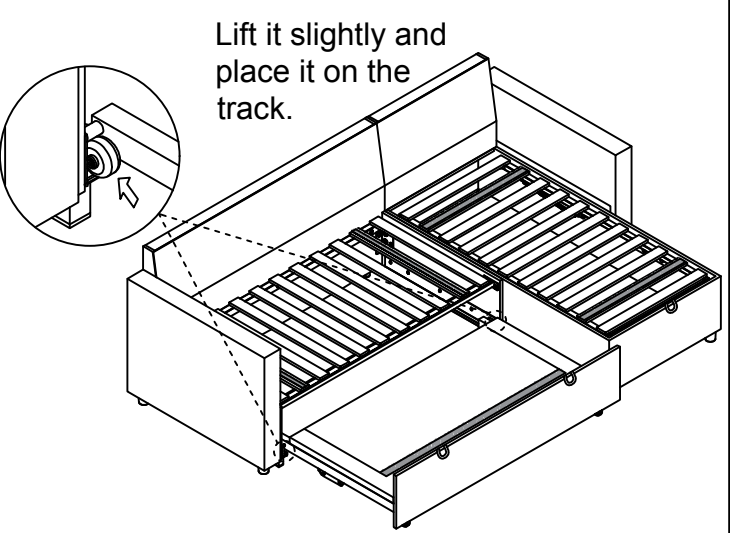
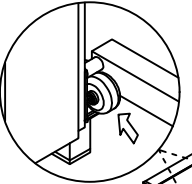


- T x 1pc M8X50mm
- P2 x 4pcs Big
- N1 x 2pcs M8X45mm
- P x 1pc

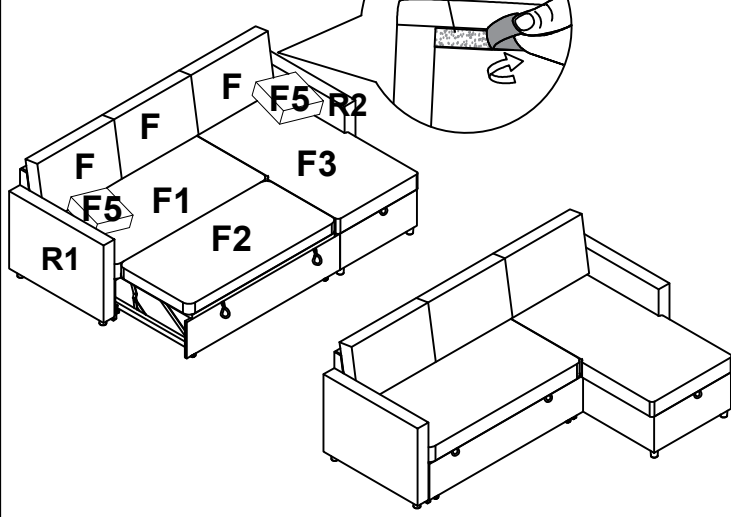
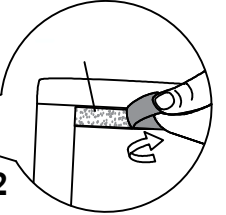


STEP 5

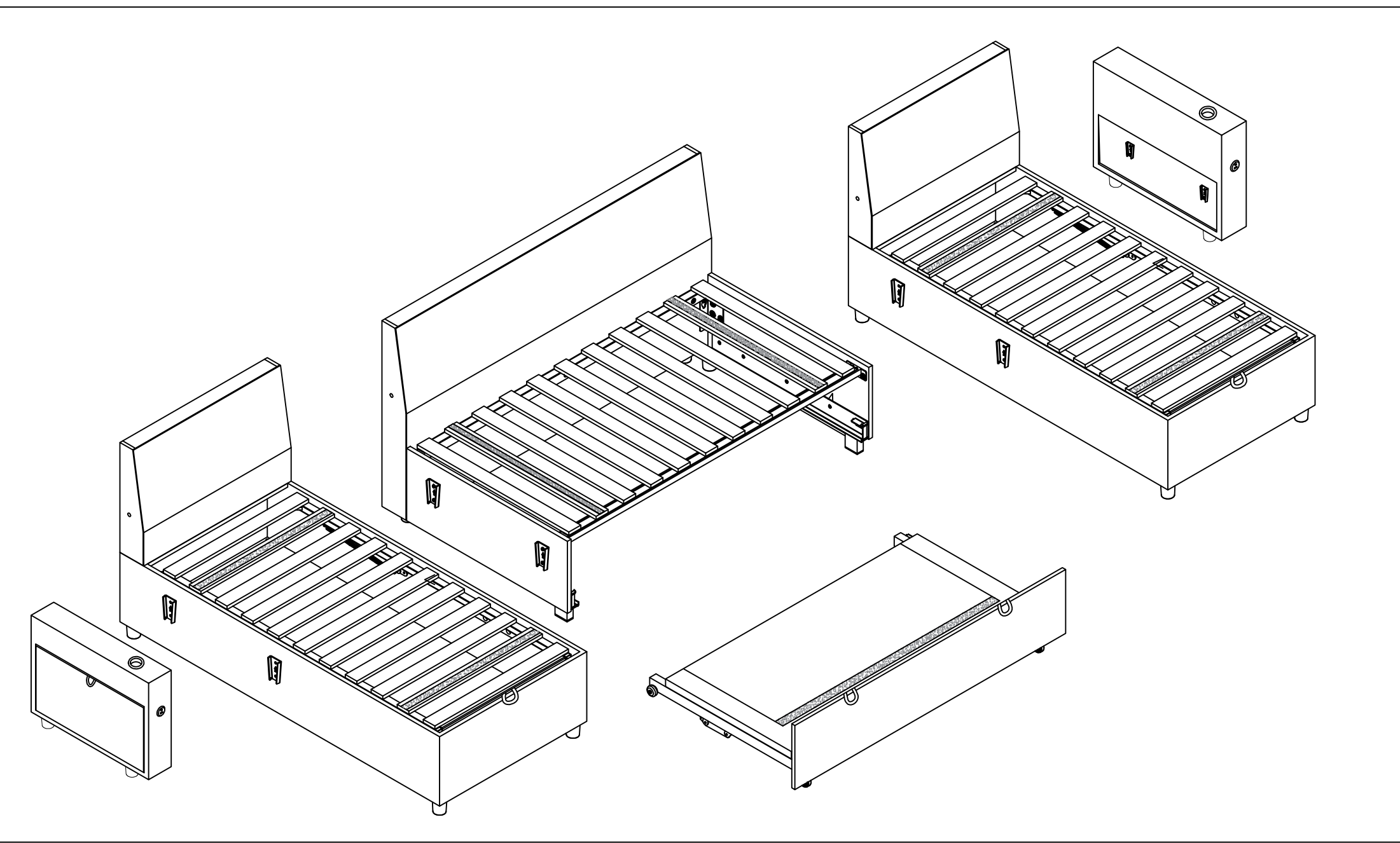
Lift it slightly and place it on the track.



STEP 6

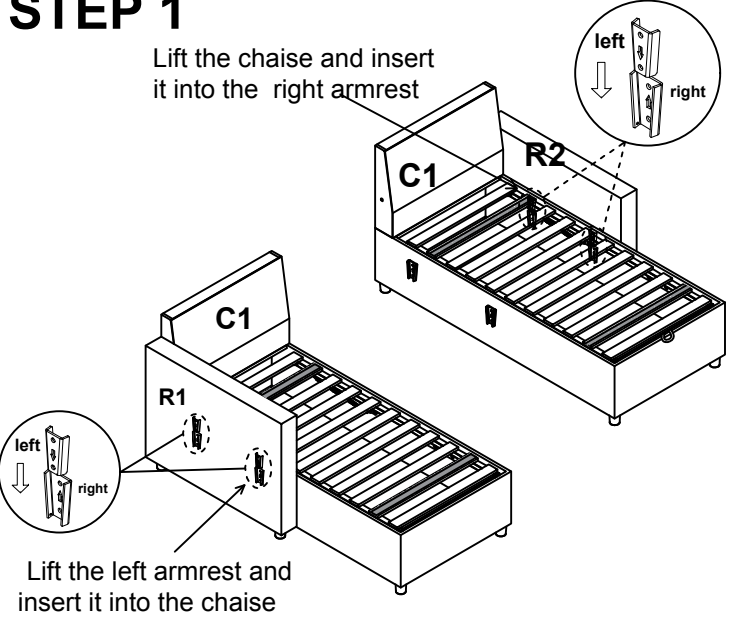


How to Connect Chaise, Loveseat & Pull-Out Bed for U-Shaped Sofa



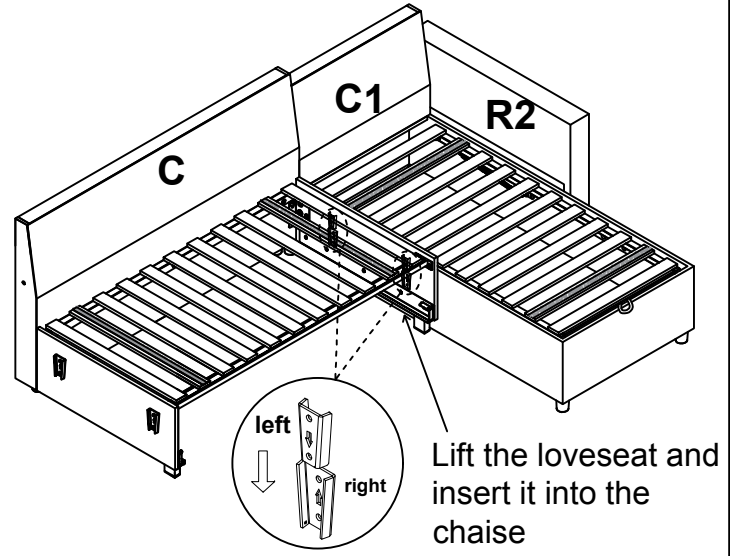
STEP 1

Lift the chaise and insert it into the right armrest



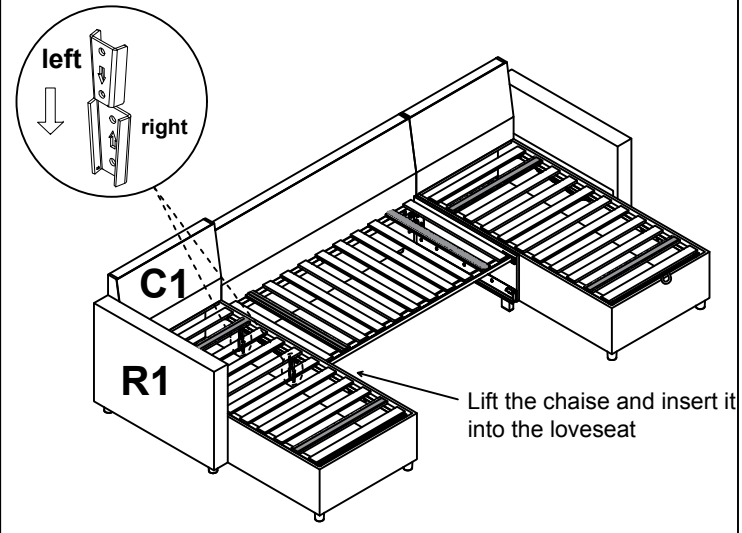
Lift the left armrest and insert it into the chaise

STEP 2



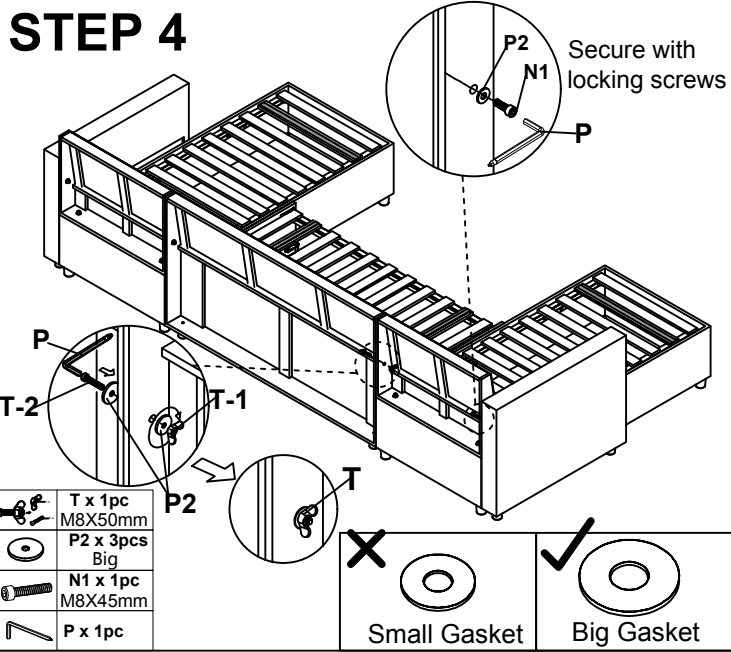
Lift the loveseat and insert it into the chaise

STEP 3



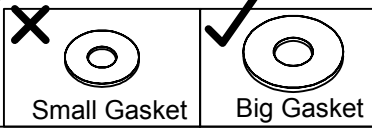
Lift the chaise and insert it into the loveseat

STEP 4



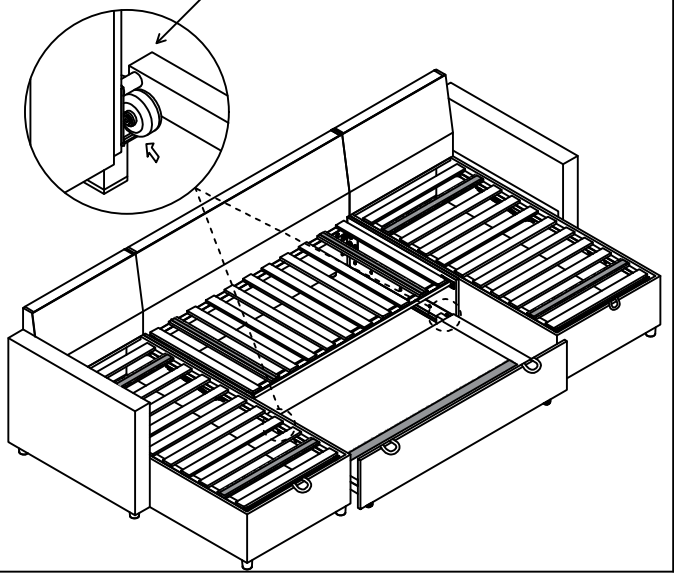
Secure with locking screws

- T x 1pc M8X50mm
- P2 x 3pcs Big
- N1 x 1pc M8X45mm
- P x 1pc

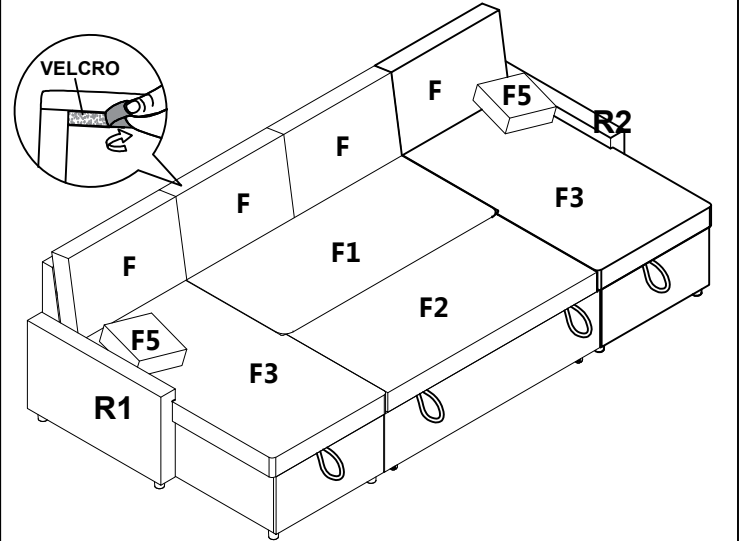


STEP 5

Lift it slightly and place it on the track.

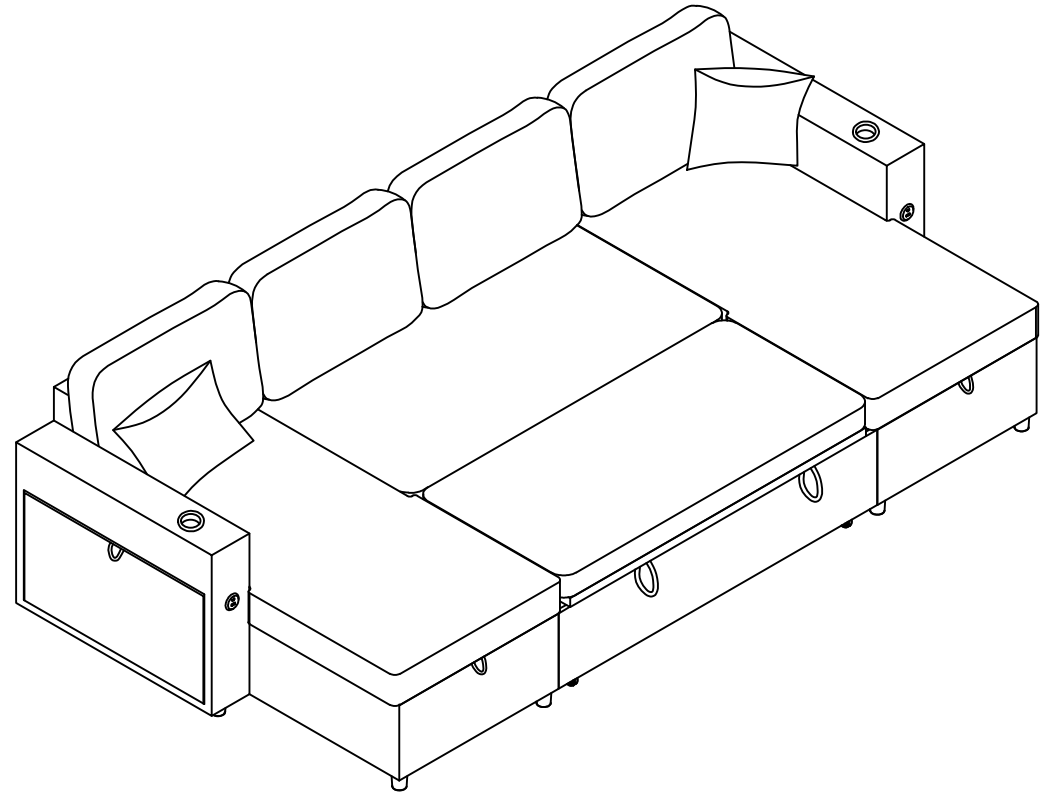
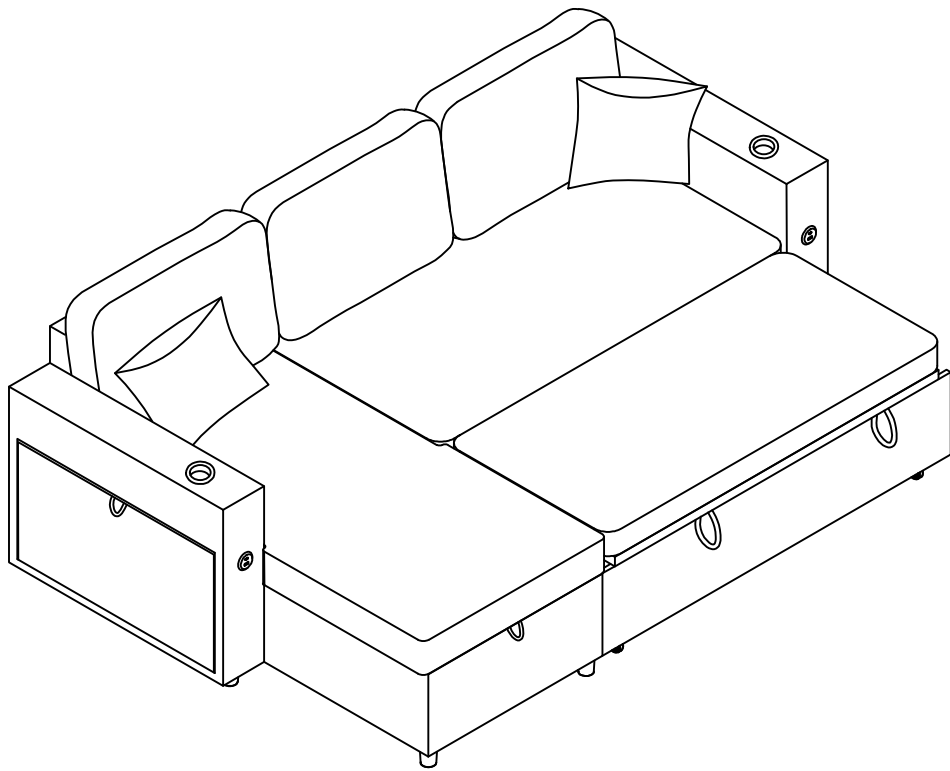


STEP 6



VELCRO

SOFA



finished product display