

WARNING

Serious or fatal injury may occur from unexpected assembly or use.

1. During the assembly process, keep all parts away from babies or children.
2. Always securely fix this product to the wall. Make sure the wall area to be drilled is free from hidden electrical wires, water and gas pipes.
3. Use of tip-over restraints may only reduce, but not eliminate the risk of tip-over.
4. Unless specially designed to accommodate, do not set heavy objects on top of this product.
5. Place the heaviest items on the lowest shelf.
6. Never allow children to climb or bang on drawers, doors or shelves.

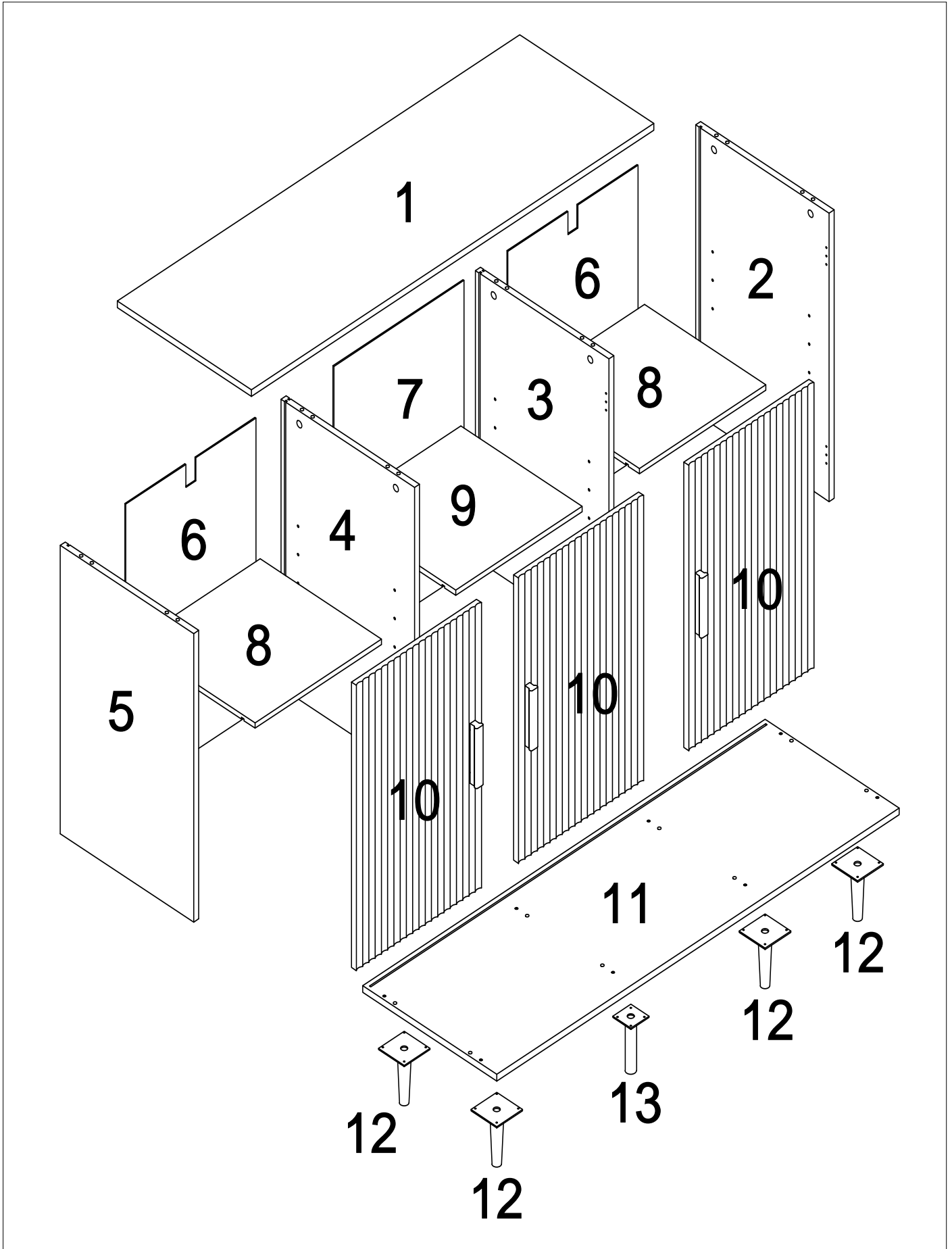
WARNING



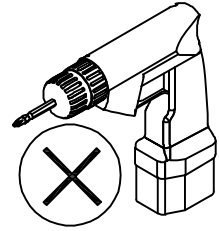
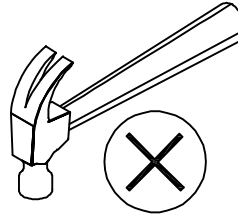
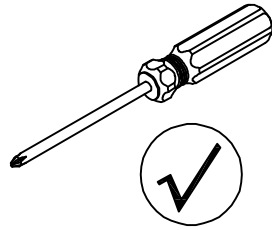
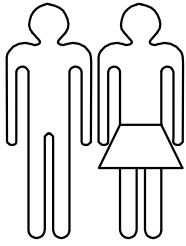
Children have died from furniture tipover. To reduce the risk of furniture tipover:

- **ALWAYS** install tipover restraint provided.
- **NEVER** put a TV on this product.
- **NEVER** allow children to stand, climb or hang on drawers, doors, or shelves.
- **NEVER** open more than one drawer at a time.
- **Place heaviest items in the lowest drawers.**

Parts List (EN) / Teile Liste (DE)

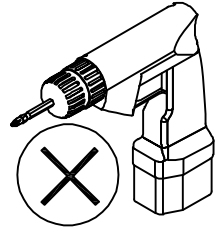
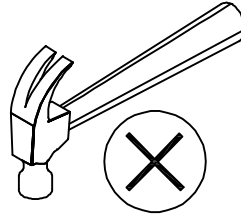
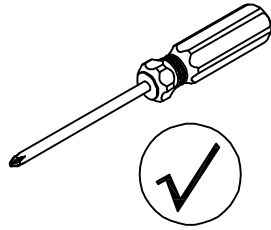
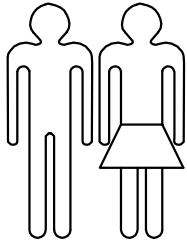


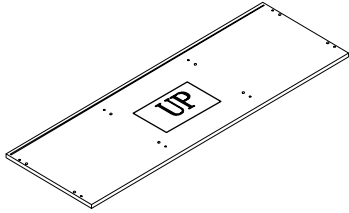
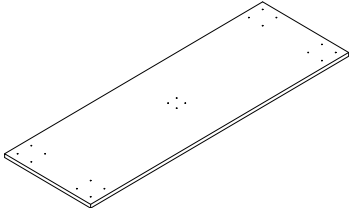
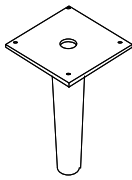
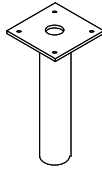
Parts List(EN)/Teile Liste(DE)



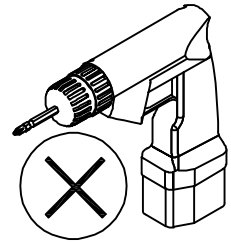
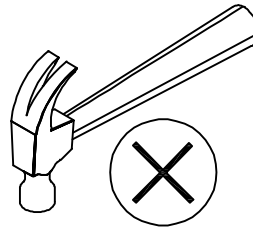
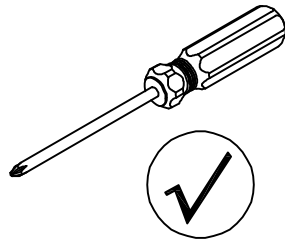
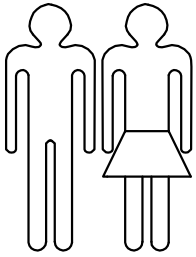
<p>①</p> <p>1200*400*15mm</p>	<p>②</p> <p>650*398*15mm</p>
<p>③</p> <p>650*398*15mm</p> <p>one side</p>	<p>the other side</p> <p>1PC</p>
<p>④</p> <p>650*398*15mm</p> <p>one side</p>	<p>the other side</p> <p>1PC</p>
<p>⑤</p> <p>650*398*15mm</p>	<p>⑥</p> <p>659*388*3mm</p> <p>2PCS</p>
<p>⑦</p> <p>659*388*3mm</p>	<p>⑧</p> <p>377*362*12mm</p> <p>2PCS</p>
<p>⑨</p> <p>377*362*12mm</p>	<p>⑩</p> <p>643*373*15mm</p> <p>3PCS</p>


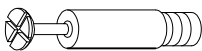
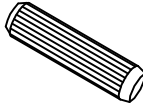

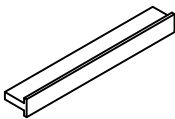
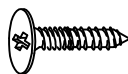


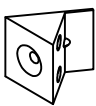

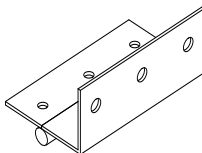
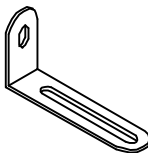
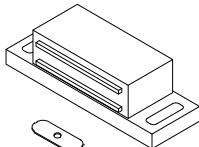


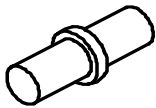

Parts List (EN) / Teile Liste (DE)



<p>①①</p>  <p>1200*400*15mm</p> <p>one side</p>	 <p>the other side</p> <p>1PC</p>
<p>①②</p>  <p>120mm</p> <p>4PCS</p>	<p>①③</p>  <p>120mm</p> <p>1PC</p>

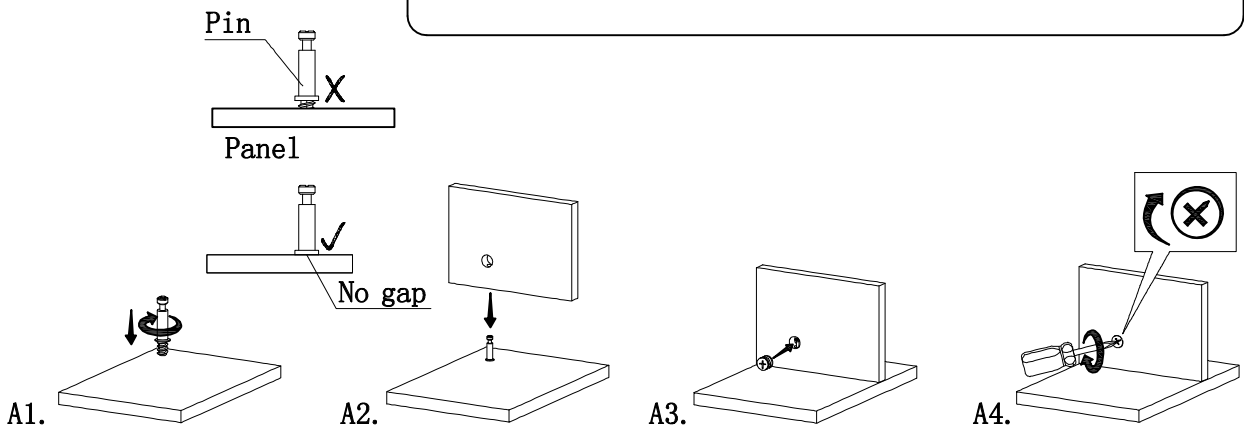
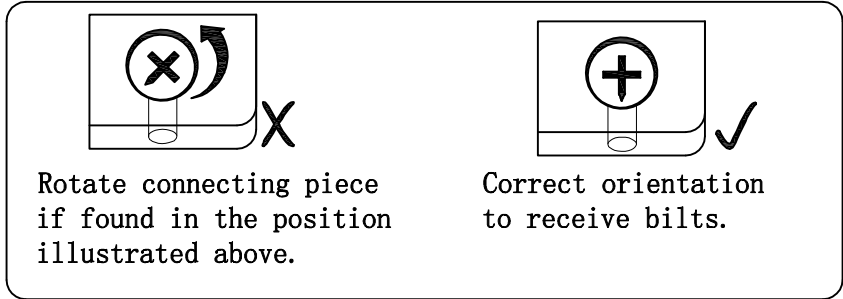
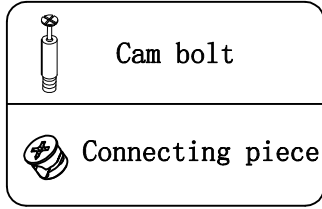
Hardware List (EN) / Teile Liste (DE)



A  $\varnothing 15 \times 9 \text{mm}$ 8PCS	B  $\varnothing 6 \times 37 \text{mm}$ 8PCS	C  $\varnothing 8 \times 30 \text{mm}$ 16PCS	D  M4*18mm 6PCS
E  110*19*10mm 3PCS	F  $\varnothing 3.5 \times 14 \text{mm}$ 51PCS	G  $\varnothing 4 \times 14 \text{mm}$ 22PCS	H  $\varnothing 3 \times 15 \text{mm}$ 6PCS
I  12PCS	J  $\varnothing 20 \text{mm}$ 8PCS	K  50*36mm 6PCS	L  70*32*13mm 2PCS
M  45*15mm 3PCS	N  $\varnothing 8 \times 35 \text{mm}$ 2PCS	O  $\varnothing 4 \times 40 \text{mm}$ 10PCS	P  $\varnothing 6 \times 17 \text{mm}$ 12PCS
Q  $\varnothing 3 \times 15 \text{mm}$ 12PCS			

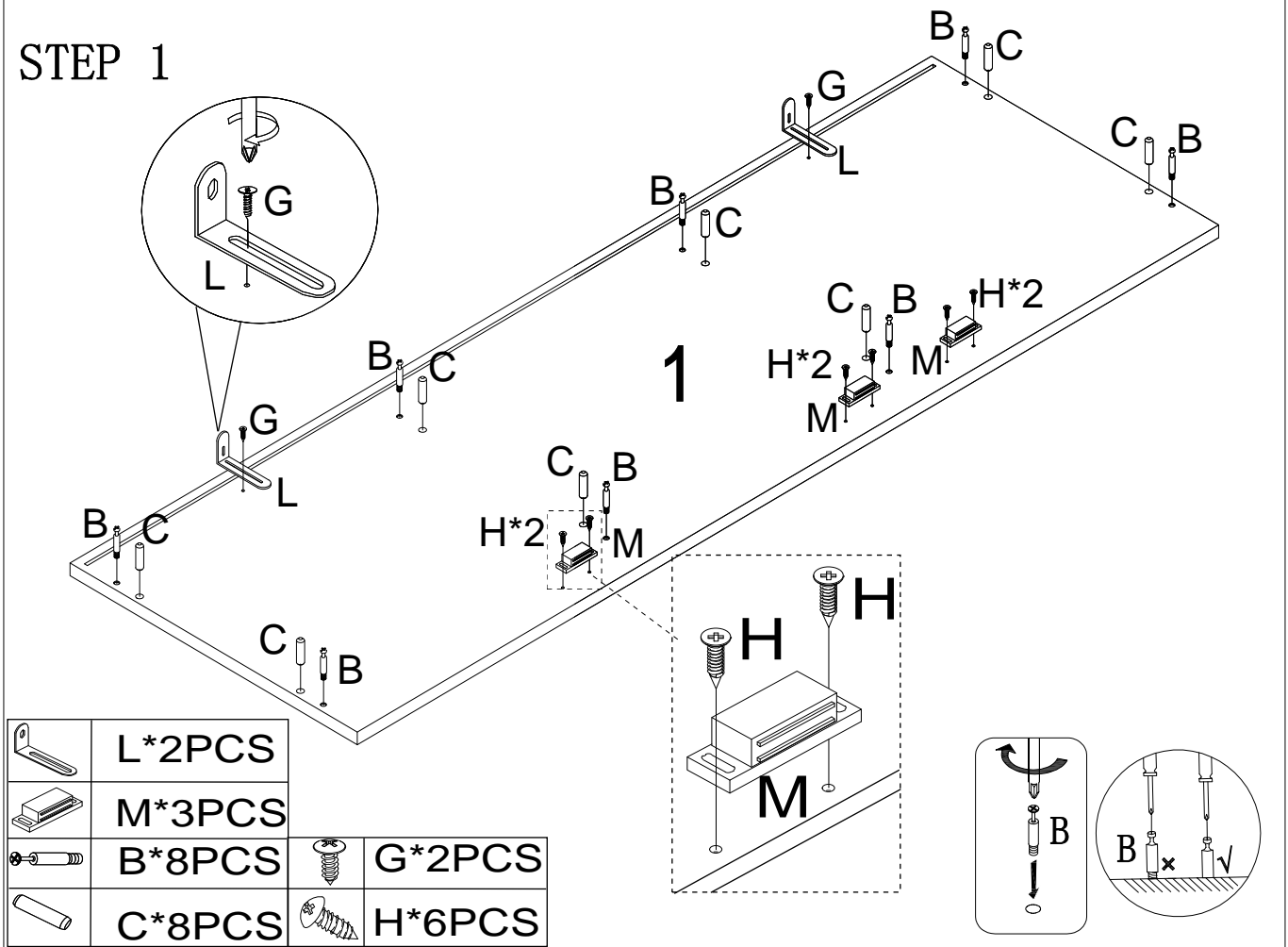
Assembly (EN) /Montageschritte (DE)

CAM BOLT INSTALLATION AS BELOW:



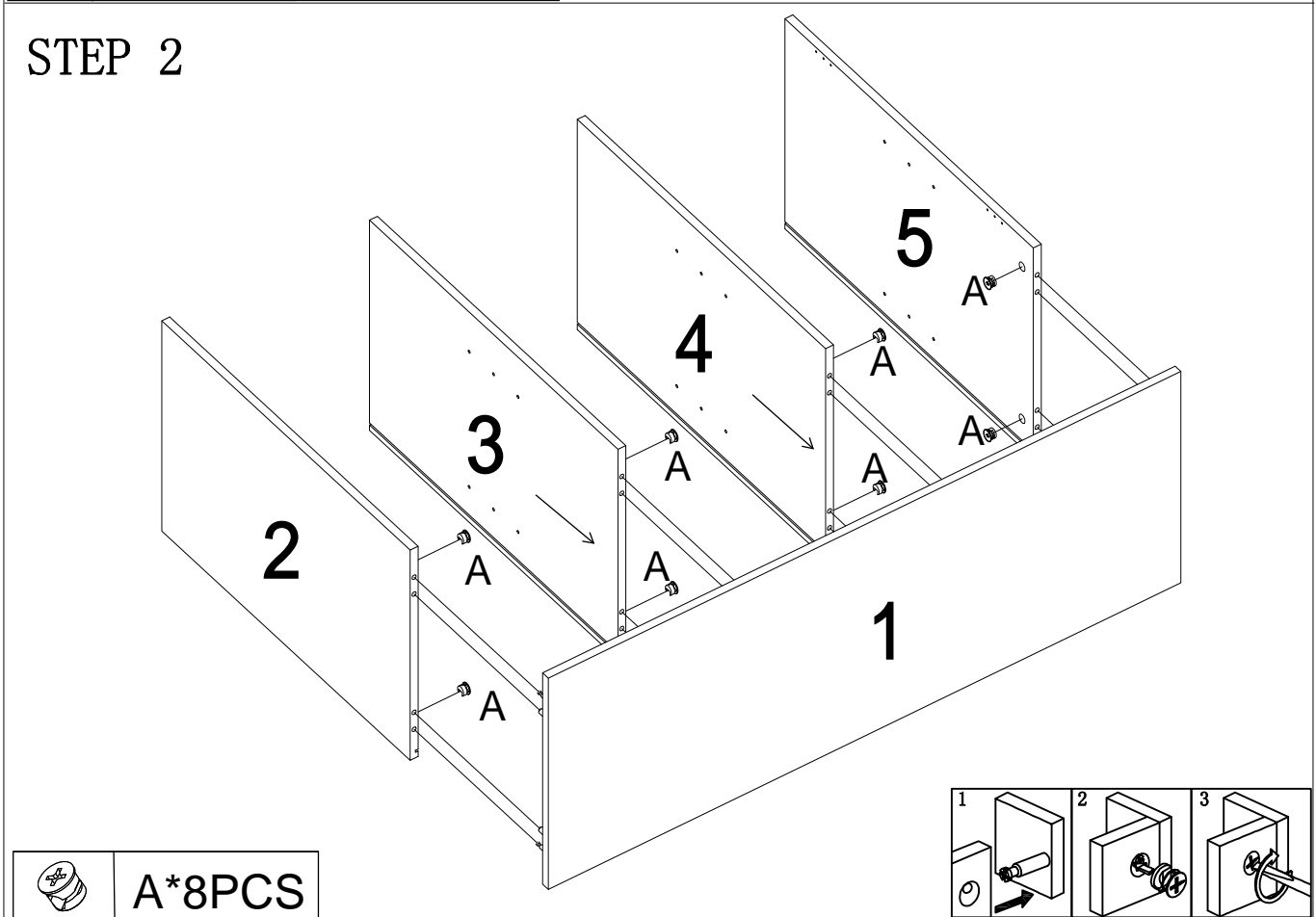
Assembly (EN) /Montageschritte (DE)

STEP 1

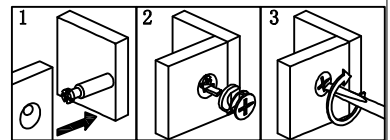


	L*2PCS		G*2PCS
	M*3PCS		H*6PCS
	B*8PCS		C*8PCS
	C*8PCS		

STEP 2

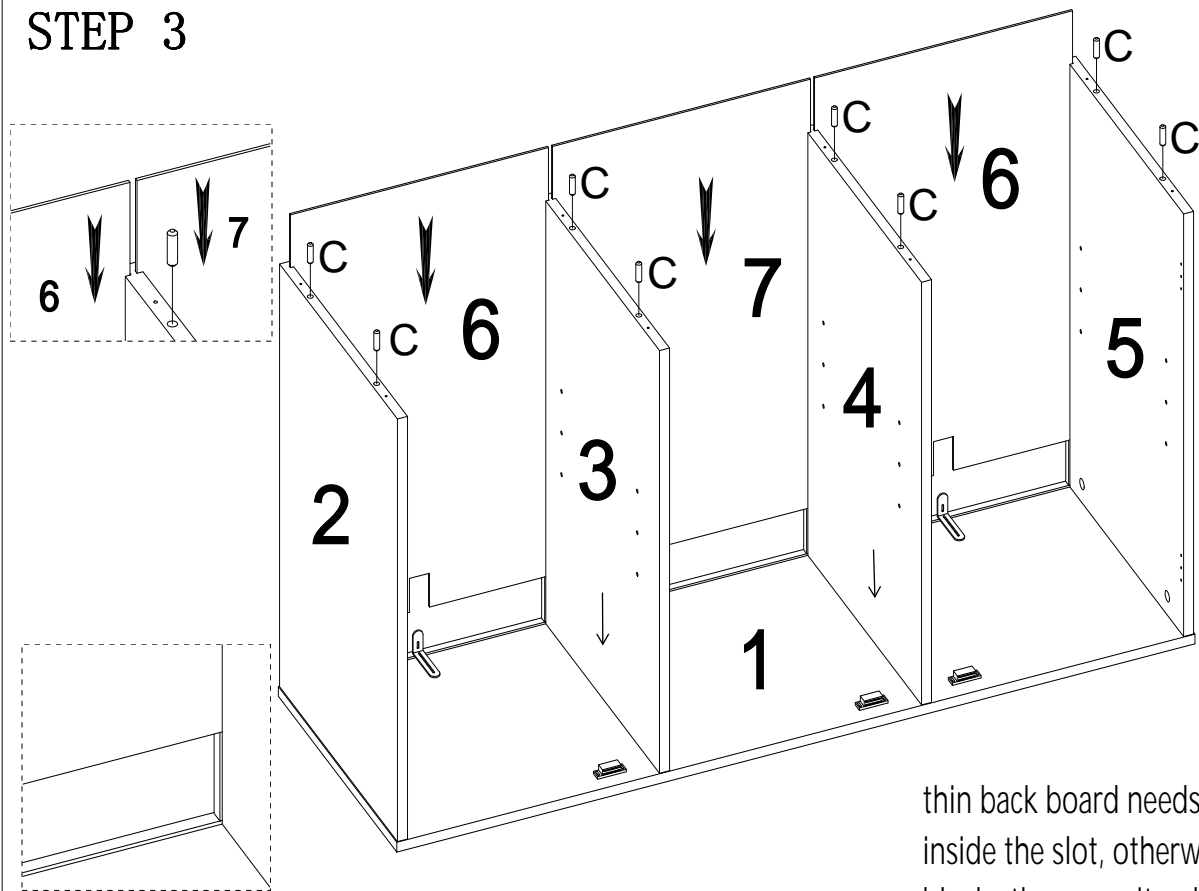


	A*8PCS
--	--------



Assembly (EN) /Montageschritte (DE)

STEP 3

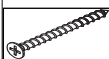
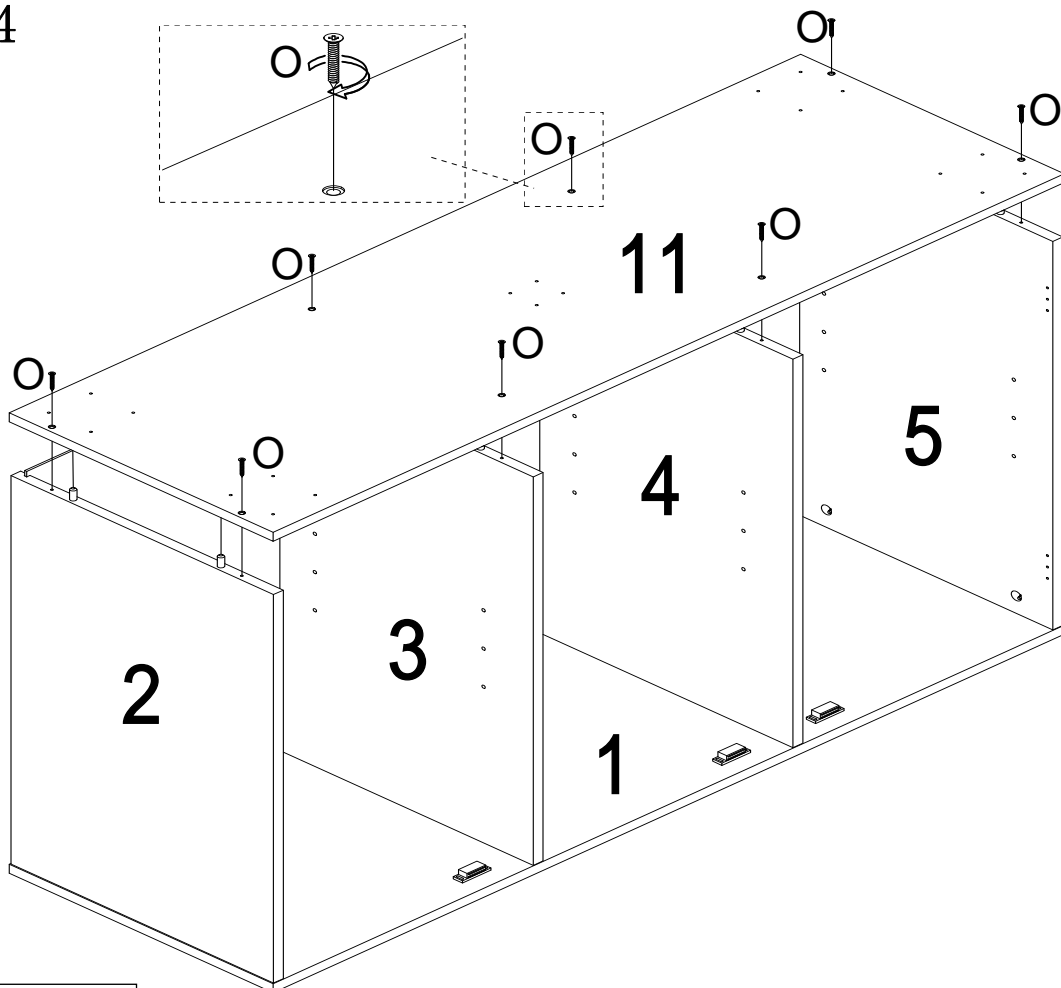


thin back board needs to be inside the slot, otherwise blocks the opposite plate montage.



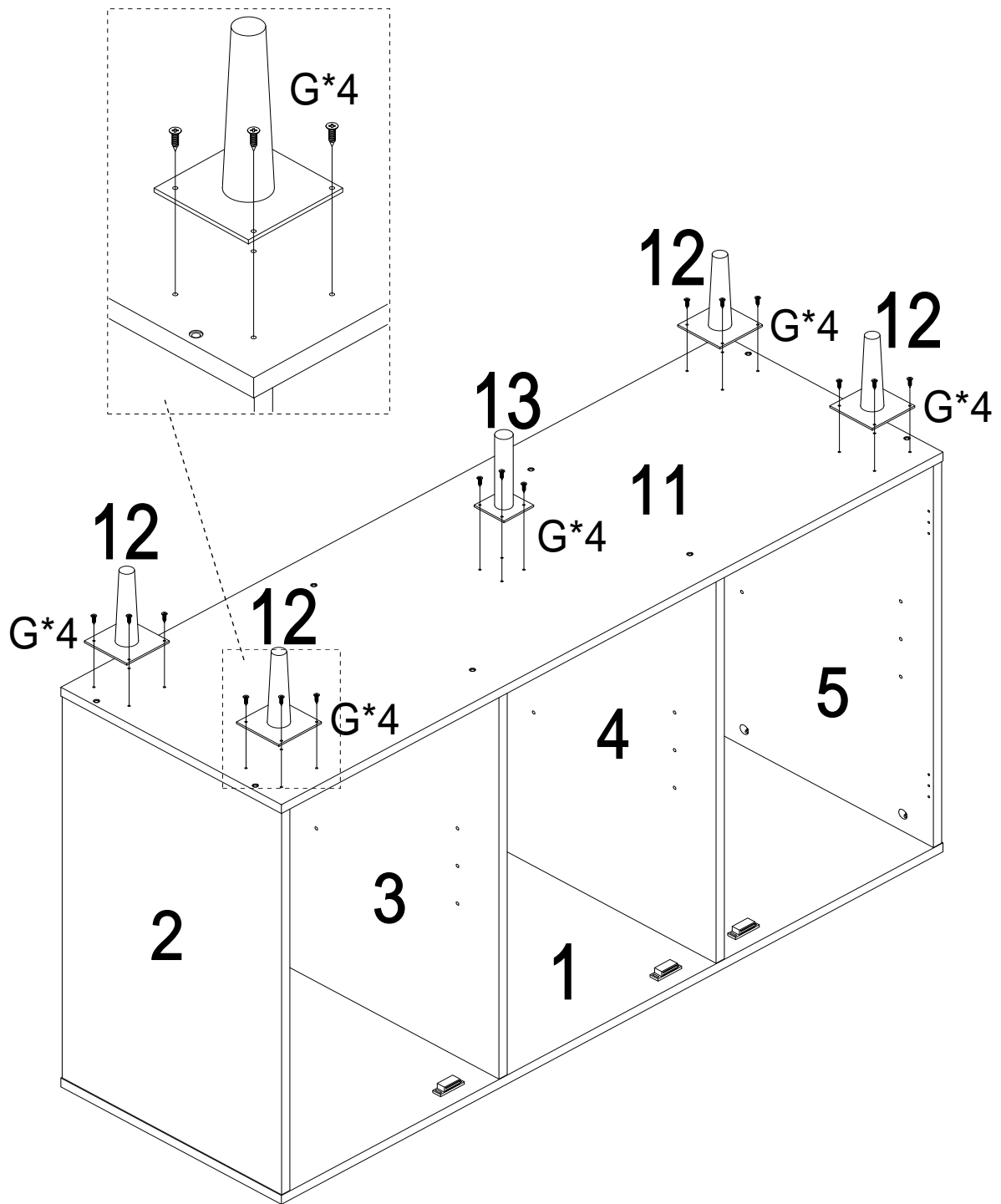
C*8PCS

STEP 4



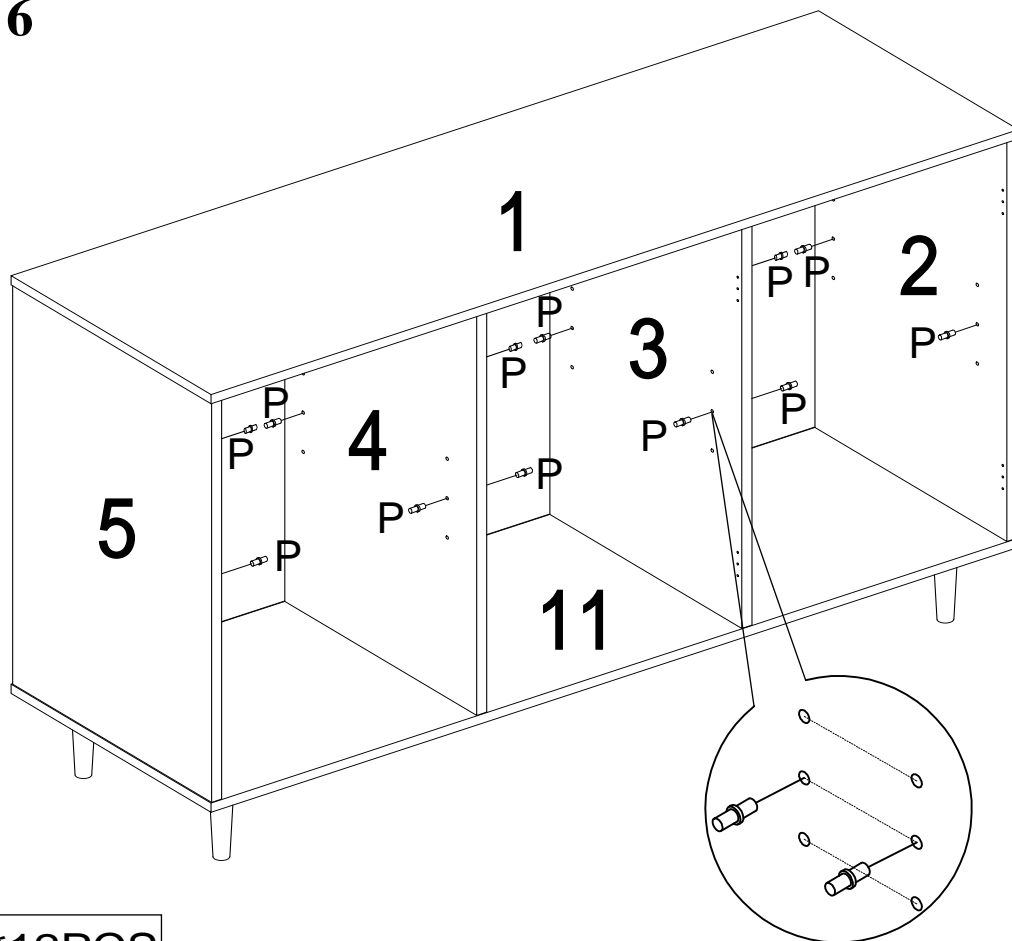
O*8PCS


STEP 5



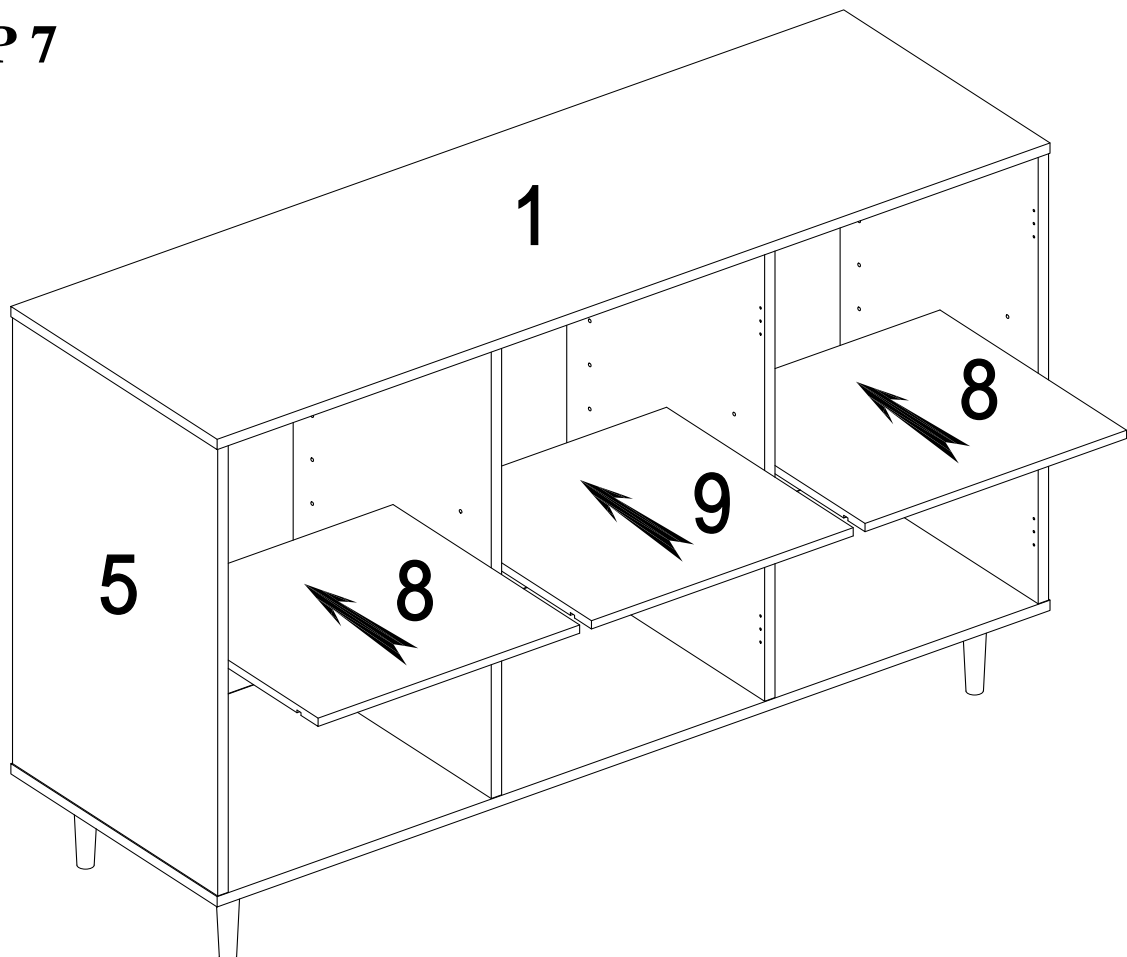
 **G*20PCS**

STEP 6

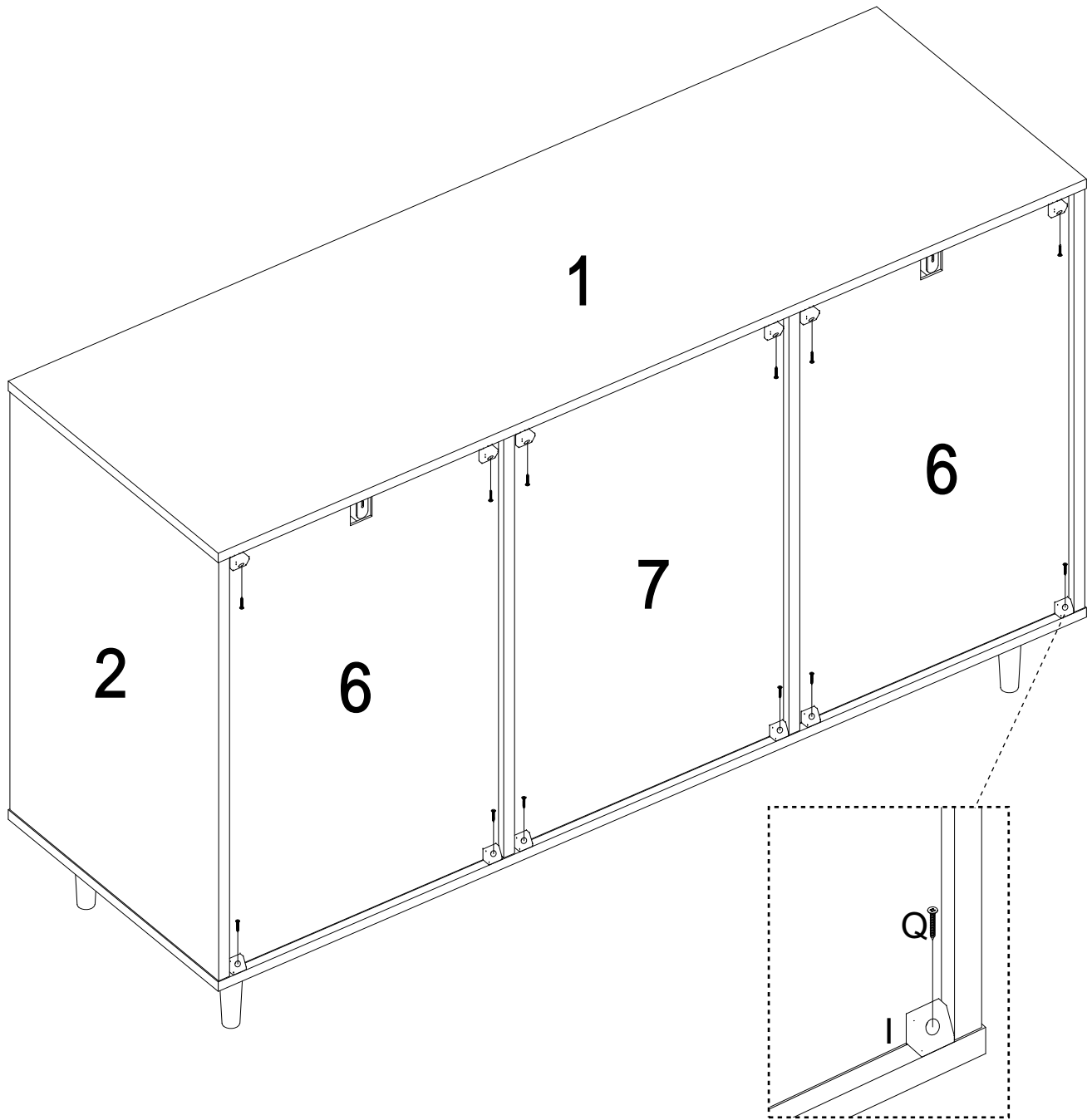




 P*12PCS

STEP 7

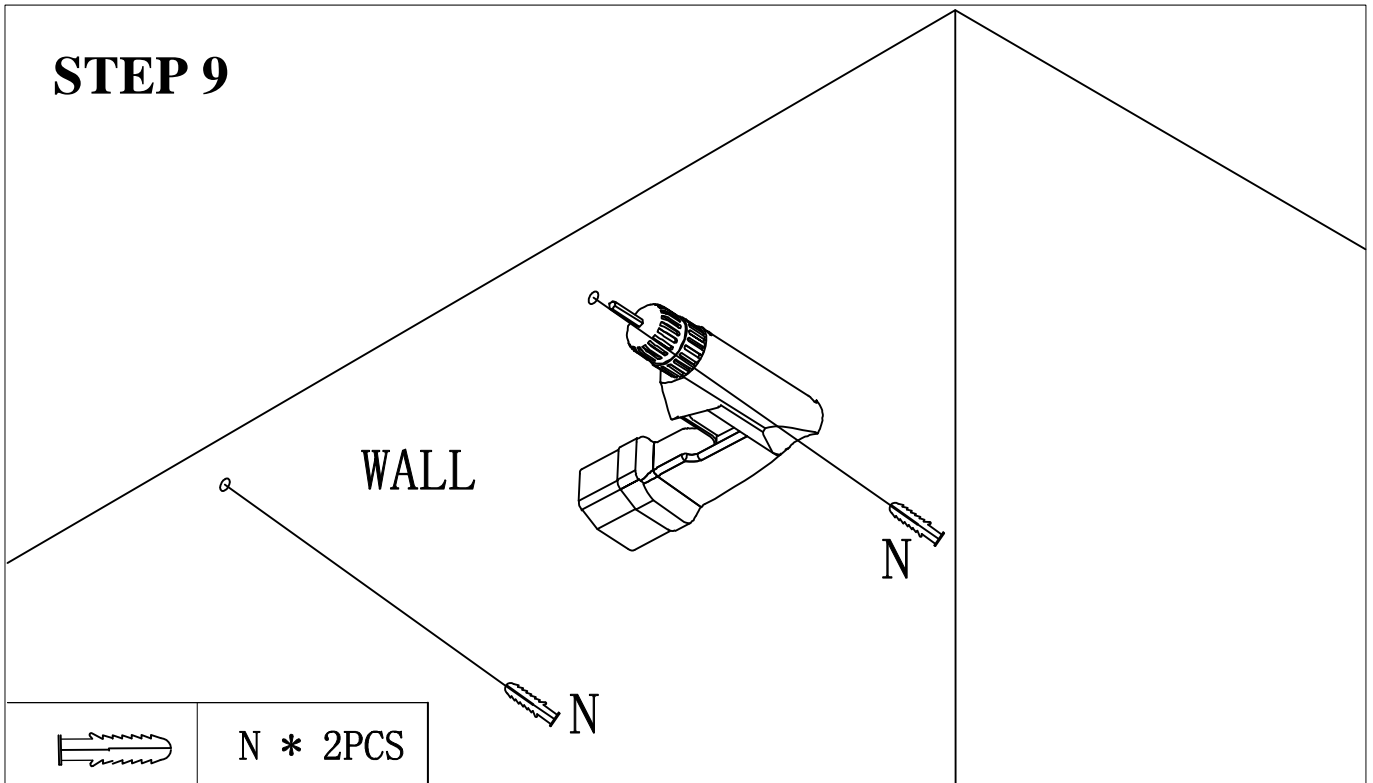


STEP 8

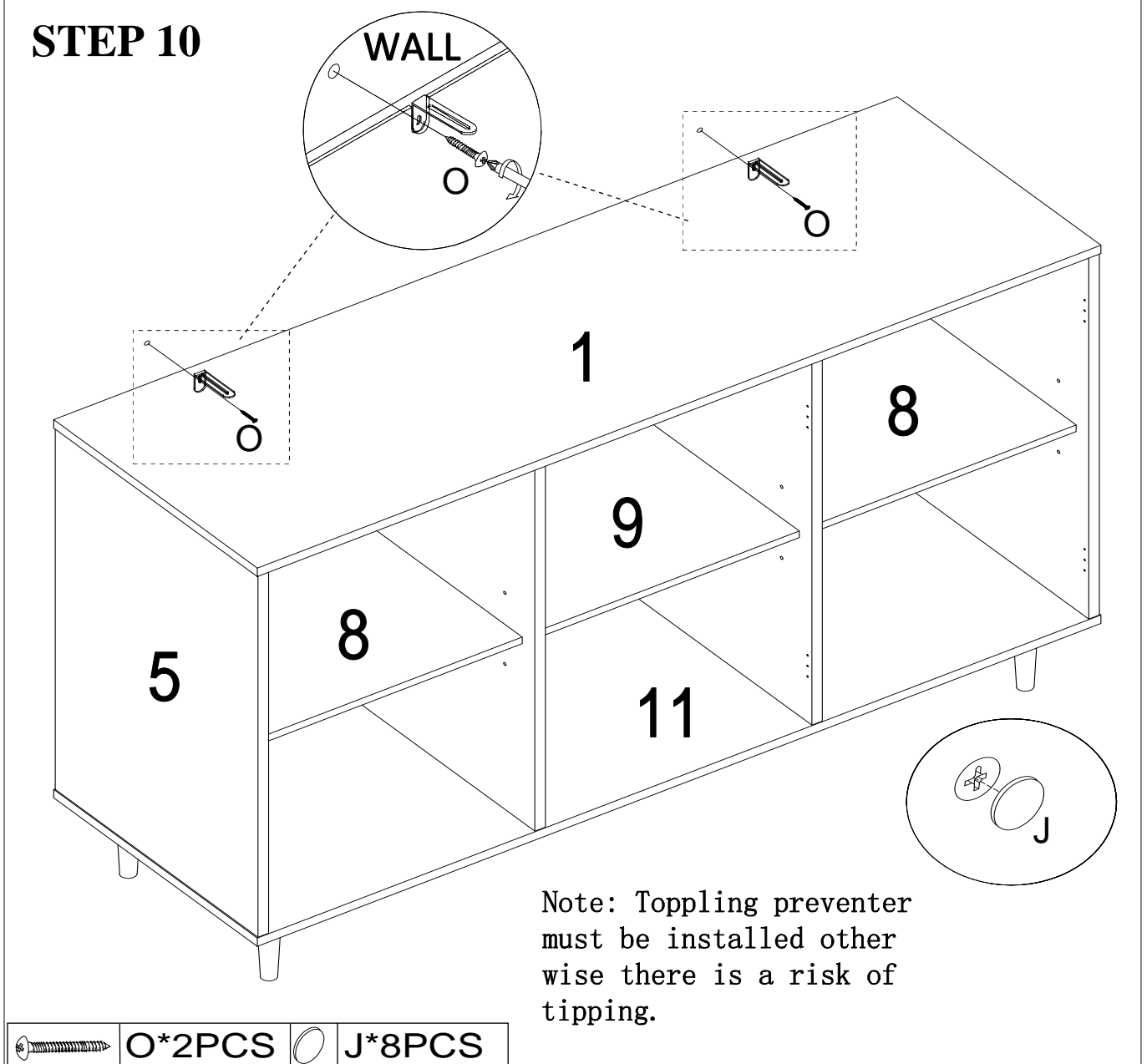


	I*12PCS
	Q*12PCS

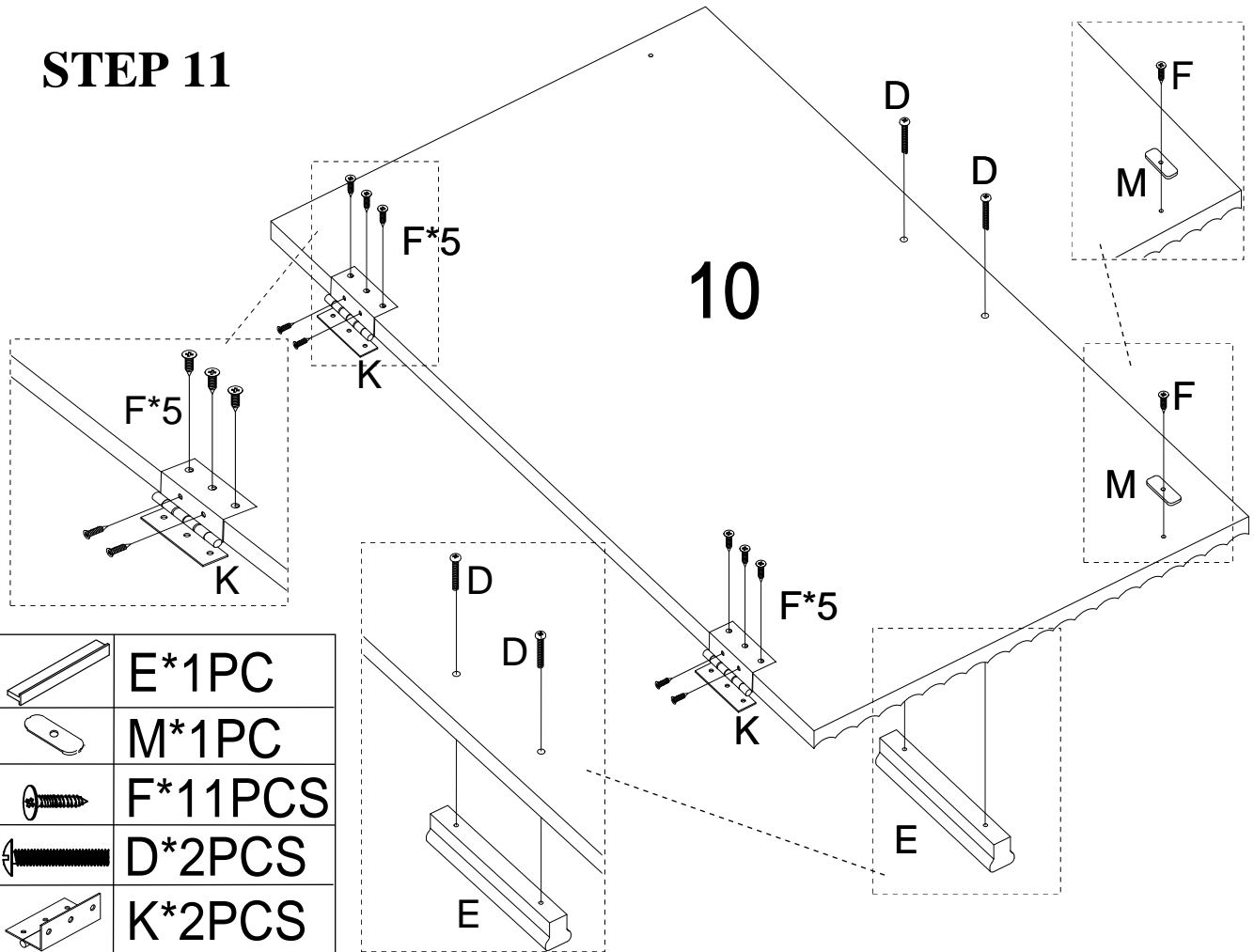
STEP 9

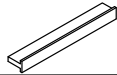



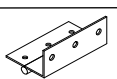


STEP 10

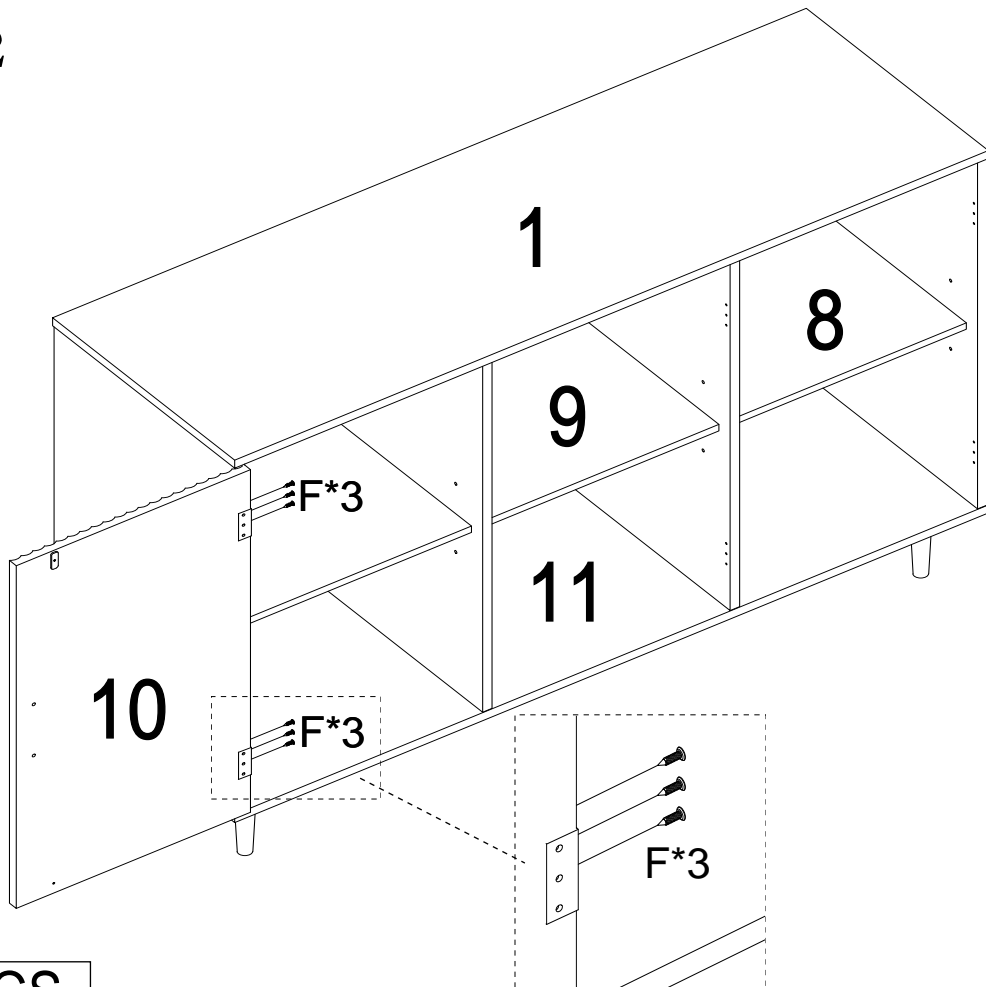



STEP 11



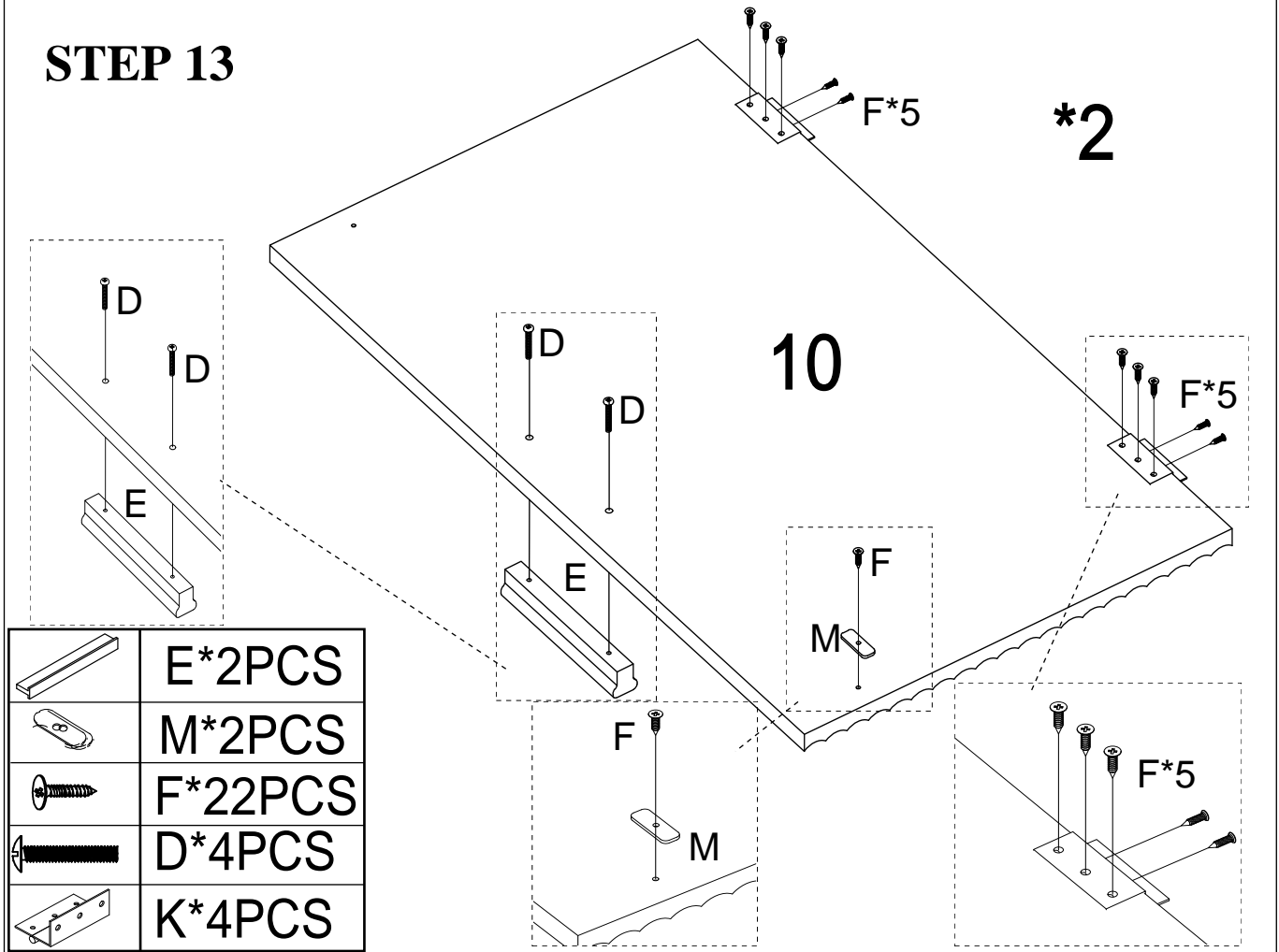
	E*1PC
	M*1PC
	F*11PCS
	D*2PCS
	K*2PCS

STEP 12

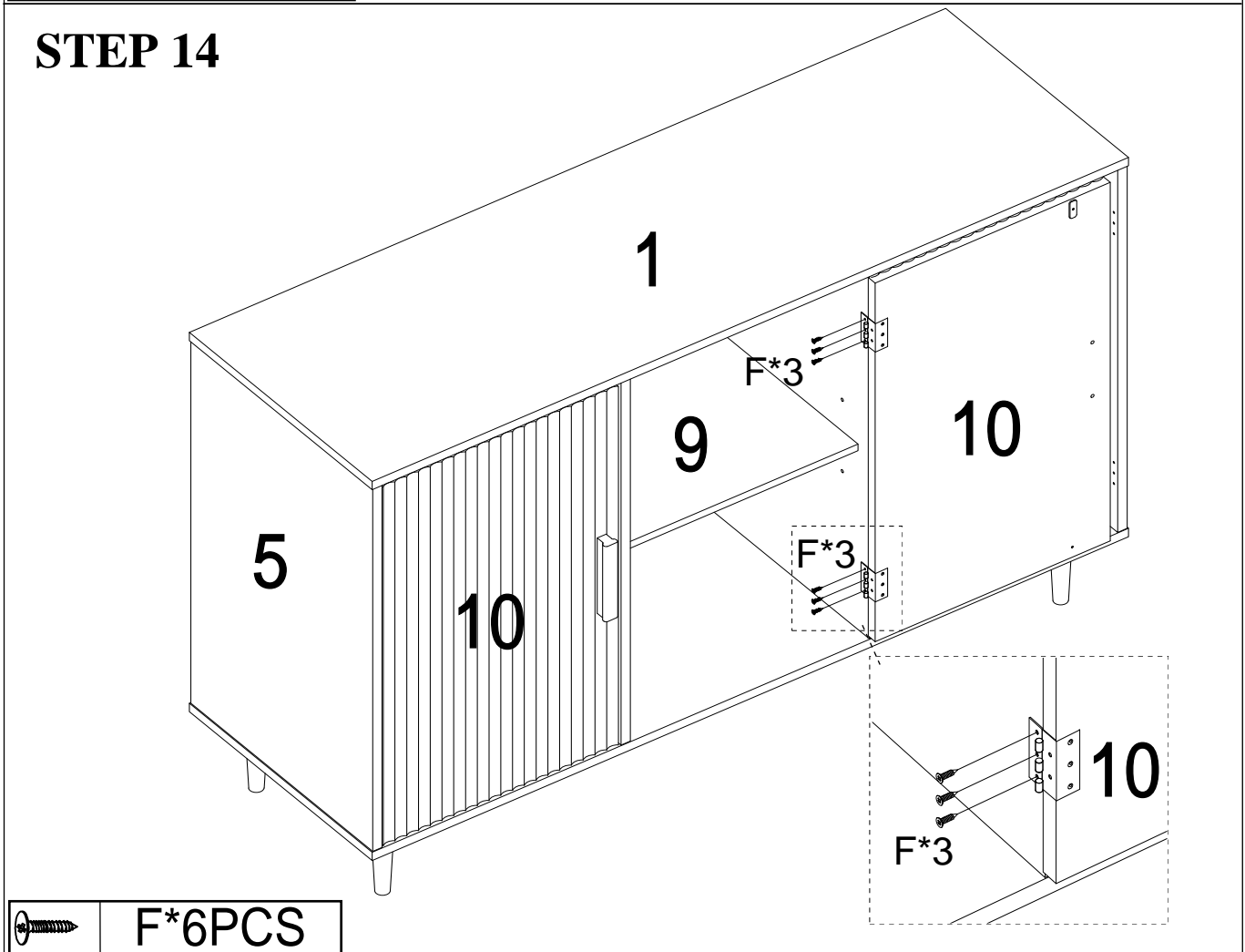


	F*6PCS
---	--------

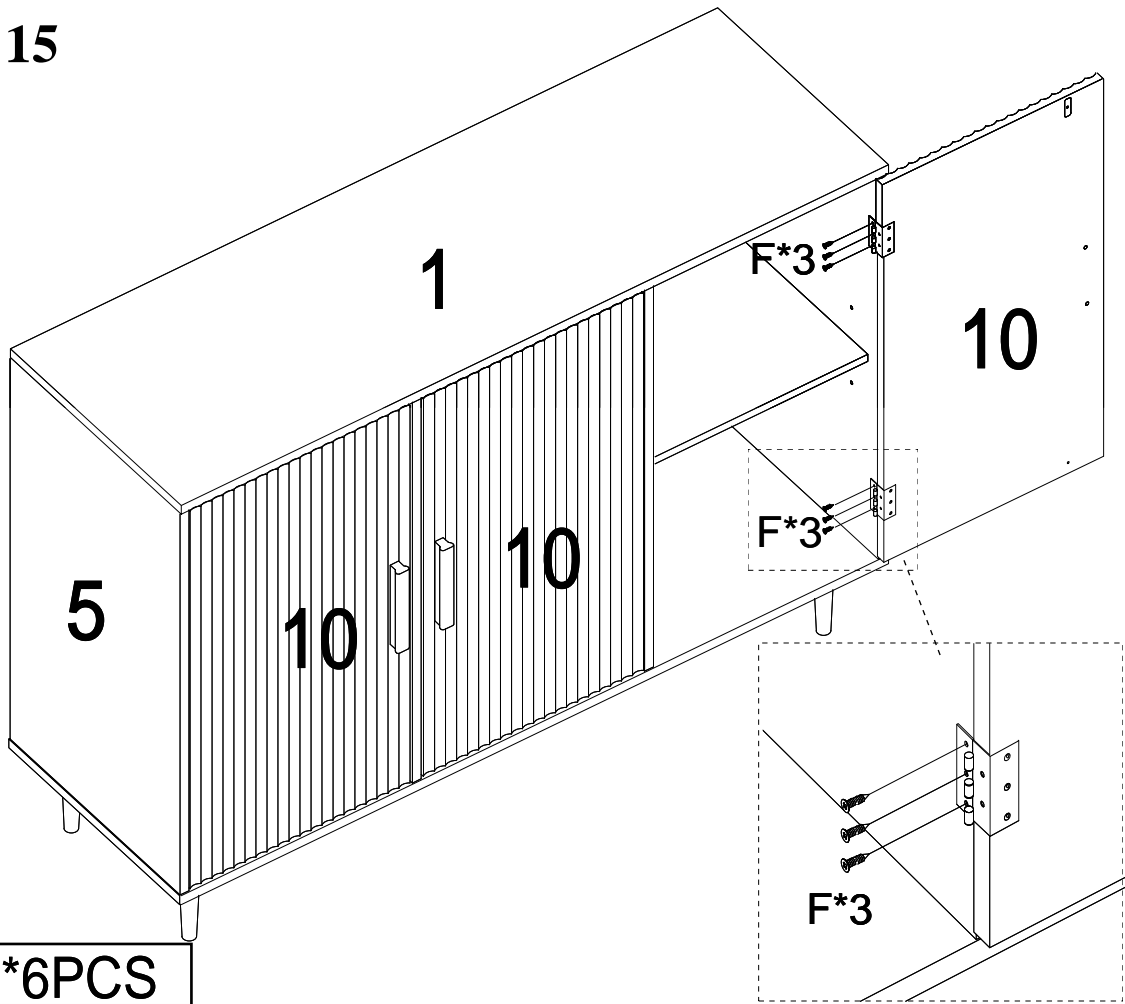
STEP 13



STEP 14



STEP 15



 F*6PCS

STEP 16

