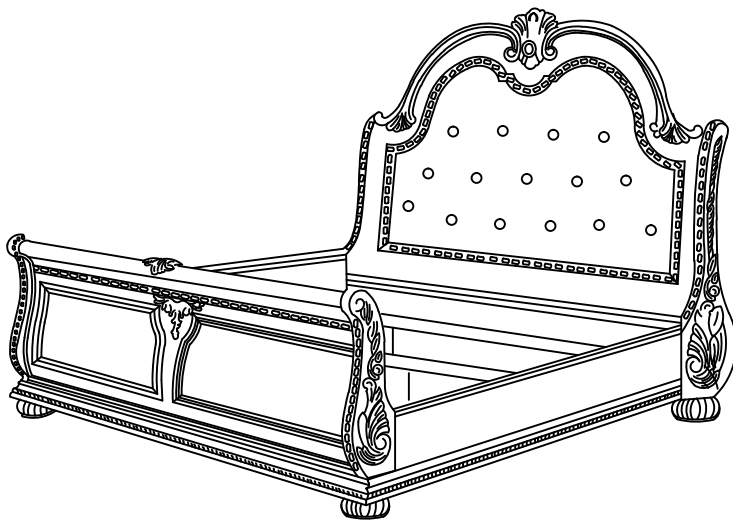


ASSEMBLY INSTRUCTIONS



TOOLS REQUIRED



Allen Wrench

(Included)



Phillips Screwdriver

(Not Included)



2 - People
Recommended

ASSEMBLY RATING



EASY —————> DIFFICULT

The Assembly Rating is a 5-point system showing the level of effort needed to assemble a specific product.



CHECK BEFORE STARTING



Are you missing anything?

Double-check all parts, hardware and accessories listed on Page 6 are accounted for.



Check out our Quick Tips!

We recommend reviewing the pre-assembly handouts. Even experts need a refresher now and then!



Should we send any replacements?

Are there any irregularities or flaws in the parts? We can send replacements!



Prep Time!

Please review the assembly instructions and all diagrams prior to assembling. Set up your workspace by laying the parts and hardware out separately, then begin!

PRE ASSEMBLY INTRODUCTION

We understand building ready-to-assemble furniture can be a challenging experience for some. To help avoid confusion, we have provided some helpful tips that may speed up the process.



Teamwork

ALWAYS have at least two people to help with transporting and assembling the product to avoid potential injury and/or damage.



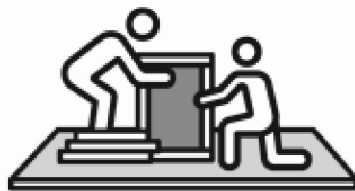
Suitable Location

Assembling near the area of the intended location is highly recommended.



Sufficient Space

Make sure you have enough space to move around during the assembly.



Avoid Scratches

Use cardboard, blankets or a carpeted area while assembling furniture to prevent scratches.



Flat Surface

Make sure the furniture rests on a flat and level surface with each leg evenly touching the floor.

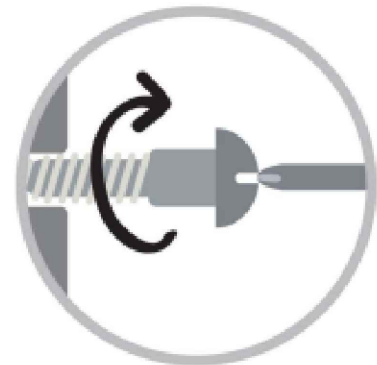
ASSEMBLY AND CARE ADVICE



FAILURE TO FOLLOW THE GUIDELINES BELOW MAY RESULT IN INJURY AND/OR PROPERTY DAMAGE.



Position each part correctly and insert screws or bolts into their respective holes.



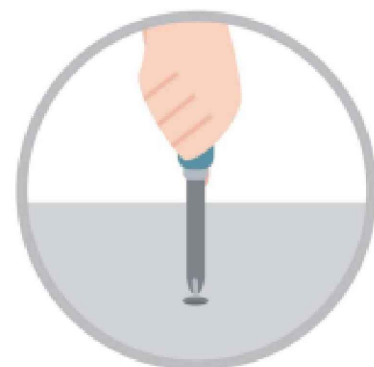
Turn clockwise to tighten and only tighten when step is completed or when instructed to do so.



Use the appropriate hand tools or power tools for assembly. Select steps, such as tightening screws and/or bolts, may require hand tools to avoid causing damage during assembly.



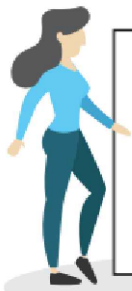
Save the instructions and store any supplied tools for later maintenance.



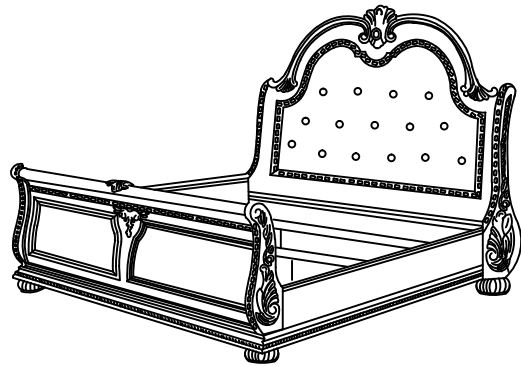
After two weeks, check and tighten any loose hardware and repeat again every six months thereafter.

IT IS THE USER'S RESPONSIBILITY TO MAINTAIN THE FURNITURE. THE HARDWARE MAY LOOSEN OVER TIME AND MAY CAUSE THE FURNITURE TO BE WOBBLY AND UNABLE TO SUPPORT ITS INTENDED WEIGHT CAPACITY. THIS MAY LEAD TO COLLAPSE AND MAY CAUSE SERIOUS INJURY.

BED



- Please keep instructions for future reference.
- Check the quantity and irregularity of parts and hardware before you start.



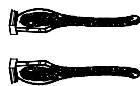
PARTS

#1 1pc



Headboard

#2 2pcs



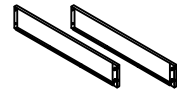
Headboard leg(L&R)

#3 1pc



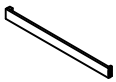
Footboard

#4 2pcs



Siderail

#5 1pc



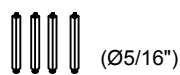
HB Cross bar

#6 4 pcs



Slat

#7 4pcs



Slat support leg
190x30x30mm

#8 4 pcs



Leg

#9 1 pc



Top Flower Of
Headboard

HARDWARE

#A 12pcs



Bolt Ø5/16" x 1-3/4"

#B 12pcs



Lock Washer Ø5/16"

#C 12pcs



Flat Washer Ø5/16"

#D 1pc



Allen key M4

#E 8pcs



Screw #4 x 32mm

#F 8pcs



Ø5/16" x 3-1/4"

HARDWARE

#G 8pcs



Half Moon Washer
(Ø5/16")

#H 8pcs

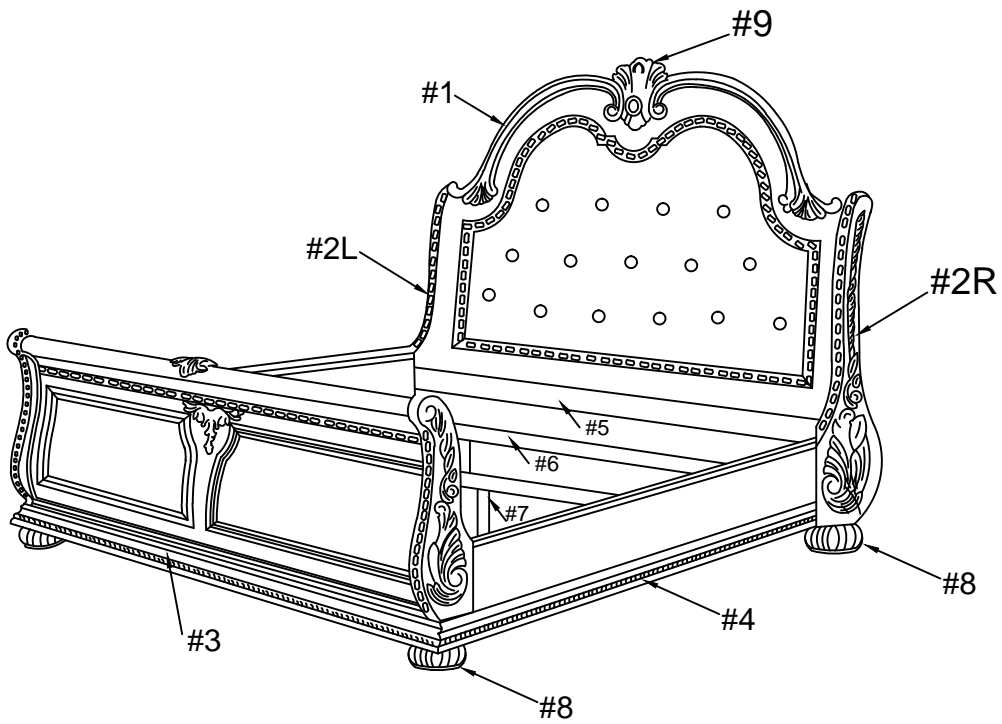




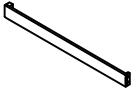
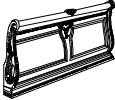










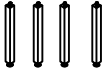

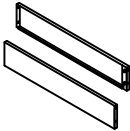
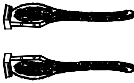

Hex Nut (Ø5/16")

#I 1pc



Wrench 14mm



Carton	Disignation	Part		Hardware
	Headboard	#1		
	Top Flower Of Headboard	#9		
	HB Cross bar	#5		
	Footboard	#3		 #A x12pcs  #B x12pcs  #C x12pcs  #D x1pc  #E x8pcs  #F x8pcs  #G x8pcs  #H x8pcs  #I x1pc
	Slat (4pcs)	#6		
	Slat support leg 190x30x30mm (4pcs)	#7		
	Leg	#8		
	Siderail (2pcs)	#4		
	Headboard leg(L&R)	#2		
	Leg	#8		

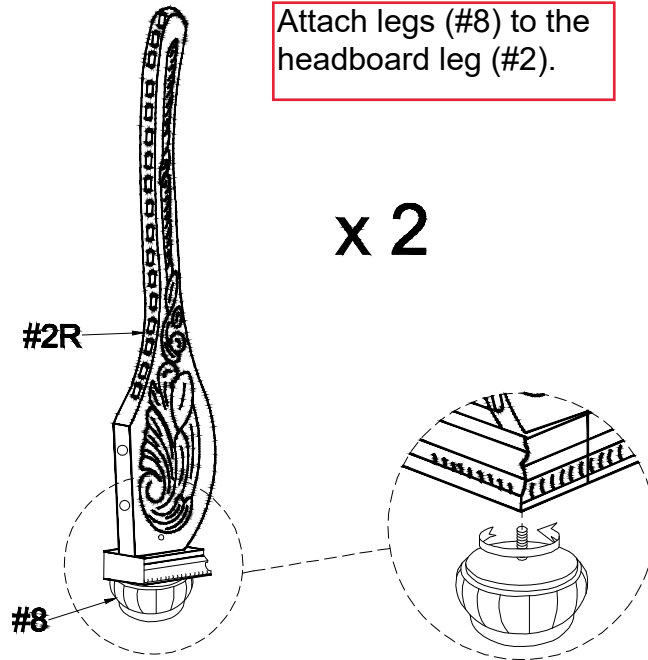
ASSEMBLY INSTRUCTIONS

1

Part #2 x2pcs

Part #8 x2pcs

Attach legs (#8) to the headboard leg (#2).



2

Part #1 x1pc

Part #2 x2pcs

Part #5 x1pc

Part #9 x1pc

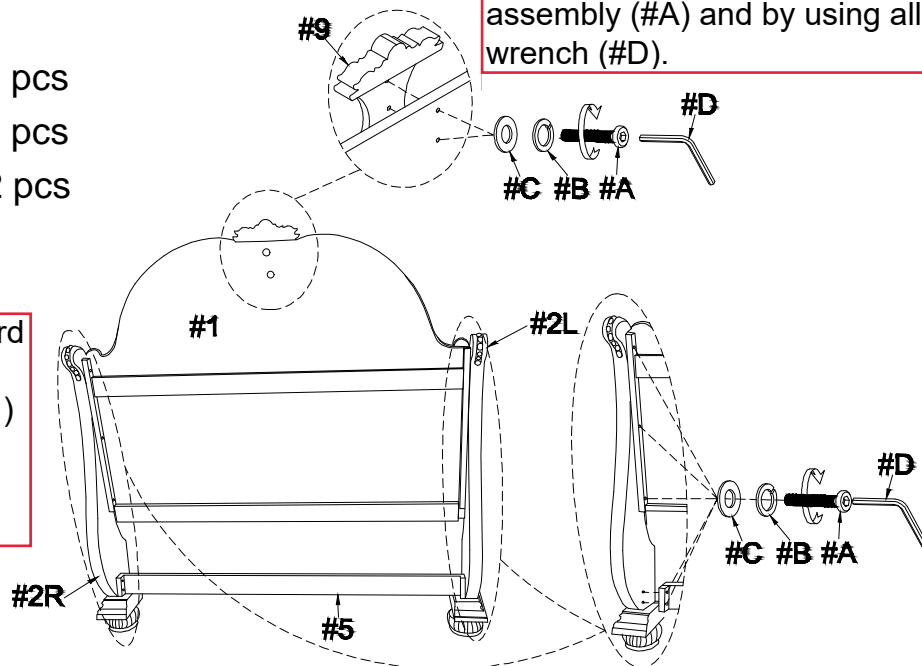
Hardware #A x12 pcs

Hardware #B x12 pcs

Hardware #C x12 pcs

Prepare 12 bolt assemblies. Insert lock washer (#B) then flat washer (#C) onto bolt (#A). Secure top flange (#9) to headboard (#1) with bolts assembly (#A) and by using allen wrench (#D).

Secure the headboard legs (#2) to the headboard panel (#1) with bolt assembly (#A).



ASSEMBLY INSTRUCTIONS

3

Part #1 x1pc

Part #2 x2pcs

Part #3 x1pcs

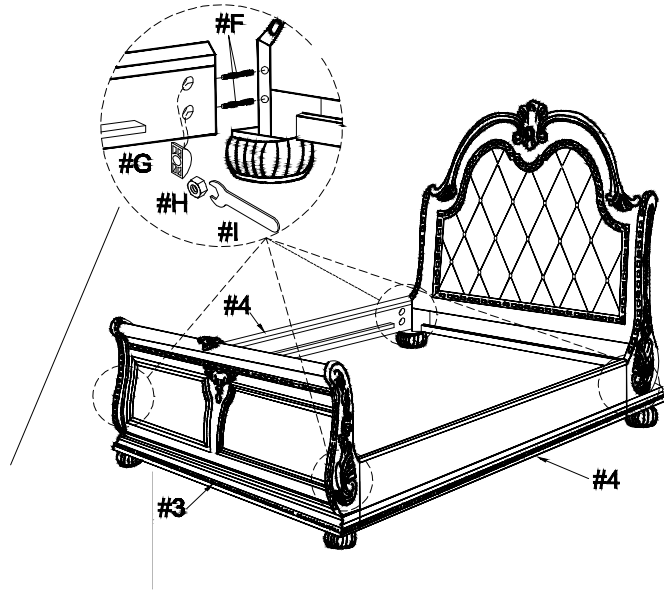
Part #4 x2pcs

Hardware #F x8 pcs

Hardware #G x8pcs

Hardware #H x8pcs

Align the side rails (#4) to the holes of the headboard (#1) and footboard (#3).



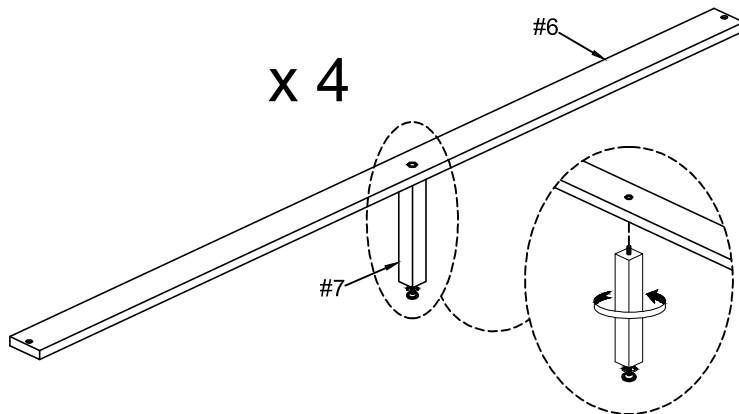
Use thread studs (#F) to hold parts and secure by using half moon washer (#G) with hex nut (#H).

4

Part #6 x1pc

Part #7 x1pc

Attach the slat support leg (#7) to the slat (#6).

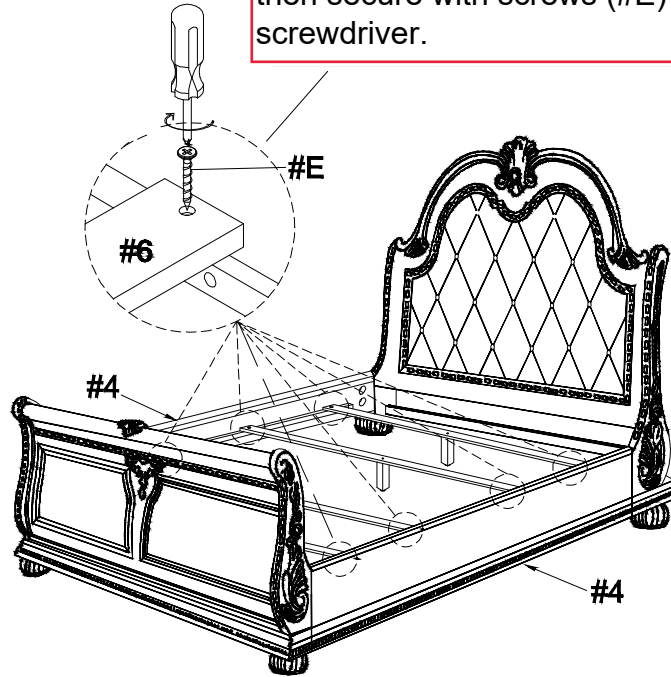


ASSEMBLY INSTRUCTIONS

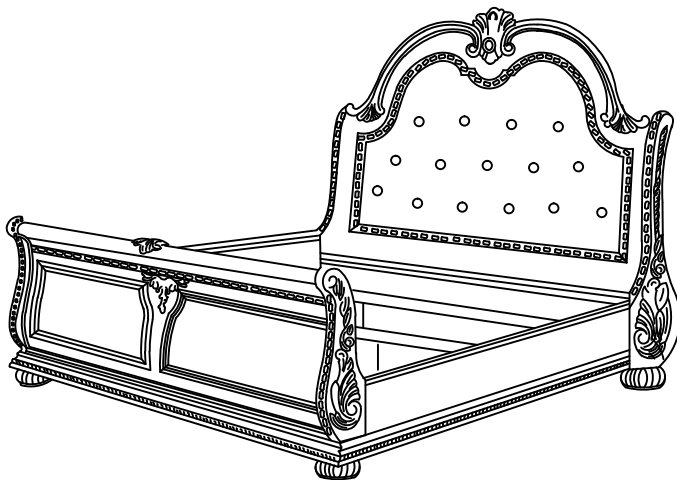
5

Hardware  x8 pcs

Align the bed slats (#6) to the side rails (#4), then secure with screws (#E) with a screwdriver.



6



ASSEMBLY COMPLETED



Please ensure the furniture rests on an even and flat surface. If the product wobbles or feels loose, double-check all bolts and/or screws are properly tightened and secured.



Keep this handy!

Please retain this instruction manual and any order-related information for future reference.



Lift, don't drag!

To avoid damage to product please always LIFT the product when transporting or adjusting the placement.

This product is intended for RESIDENTIAL USE ONLY and not for commercial use.