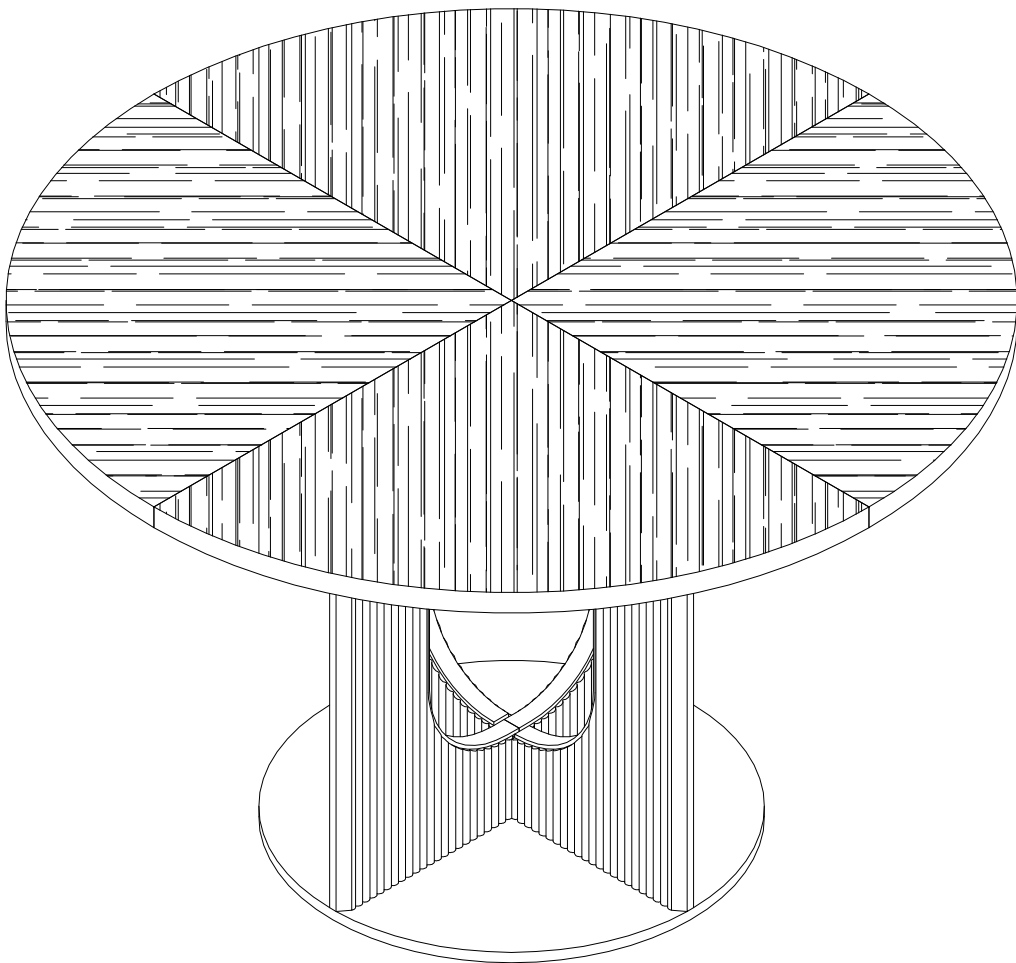


Assembly Instructions

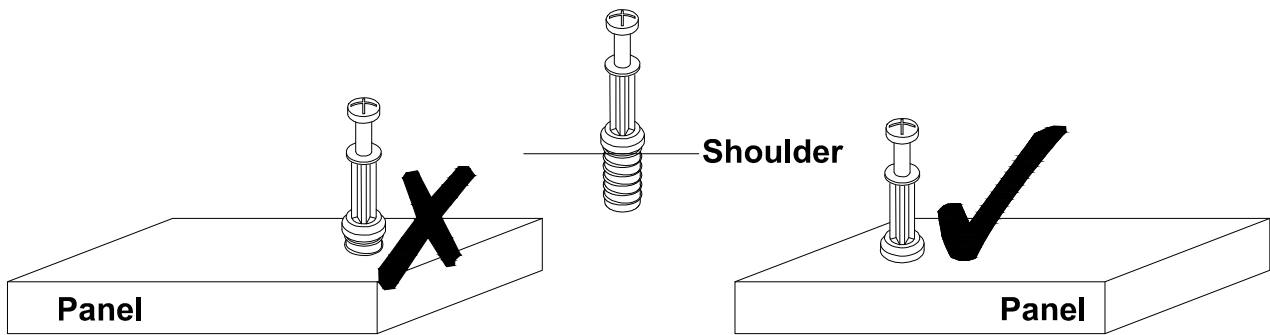


Before Assembly

Tips Before Your Start:

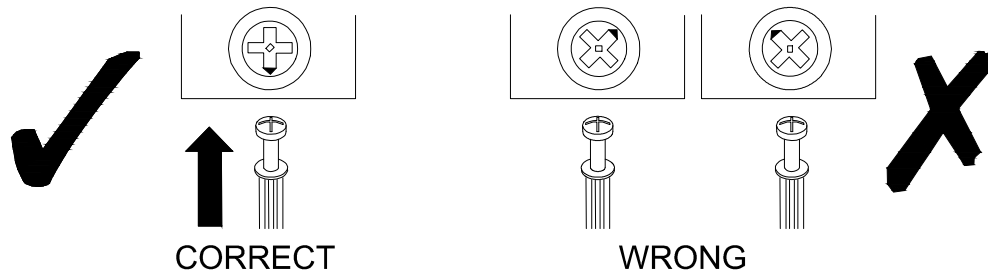
- Remove all wrapping material, including staples & packing straps before you start to assemble.
- DO NOT tighten all screws and bolts until the assembly is completely assembled.
- Keep all hardware parts out of reach of children.

QUICKFIT



Tighten quickfit until shoulder is flush with panel. Do not overtighten or undertighten.

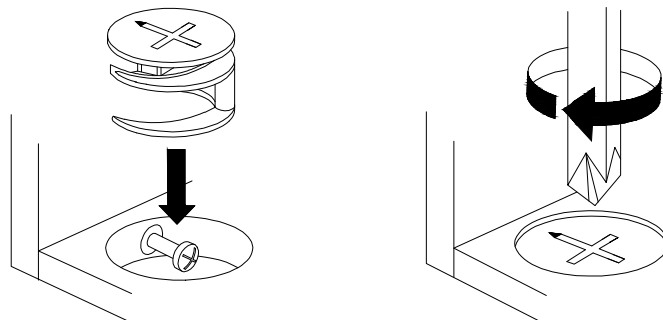
CAM LOCK



When fitting a cam lock, ensure the starting position is correct before inserting the connecting QUI CKFIT




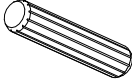
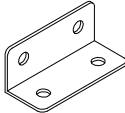
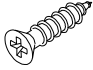

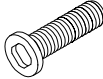

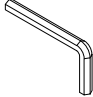
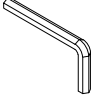
Quickfit head should be in the centre of the cam lock when the two panels are joined.

Cam lock should be inserted before quickfit.

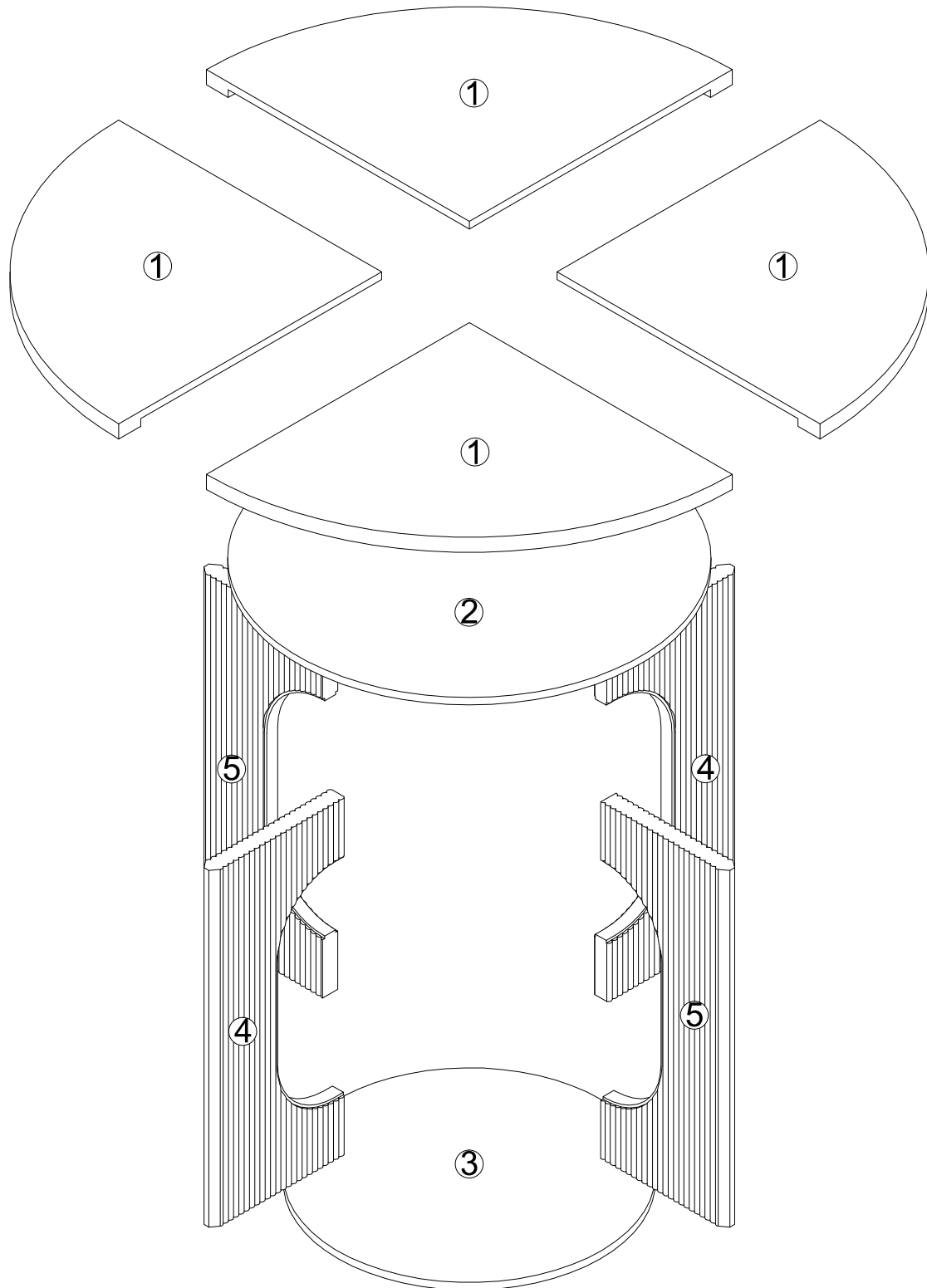


Turn cam lock clockwise to tighten.

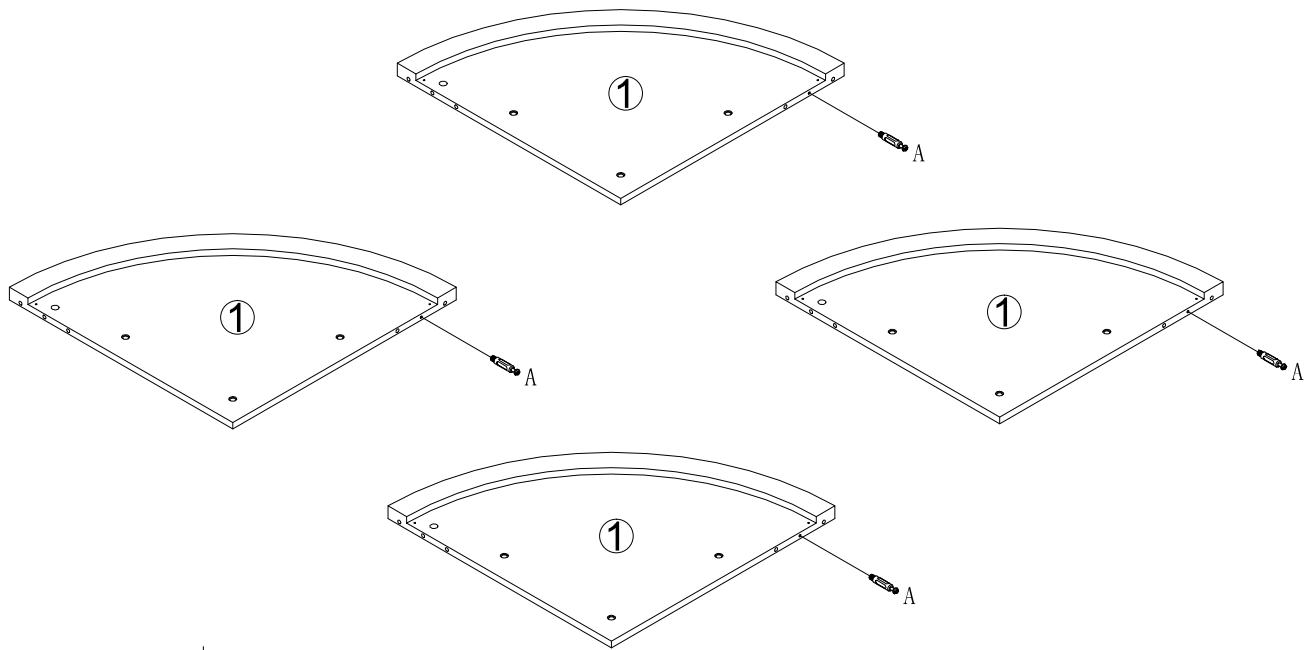
Part List

<p>No. A Quantity:4 Pcs Cam Lock Dowel 8*28mm</p> 	<p>No. B Quantity:4 Pcs Cam φ15</p> 	<p>No. C Quantity:4 Pcs Sticker Ø20</p> 	<p>No. D Quantity:8 Pcs Dowel 8*40mm</p> 
<p>No. E Quantity:4 Pcs L Shape Part</p> 	<p>No. F Quantity:16 Pcs Screw M3.5*14mm</p> 	<p>No. G Quantity:16 Pcs Screw M6*40mm</p> 	<p>No. H Quantity:12 Pcs Screw M8*25mm</p> 
<p>No. I Quantity:6 Pcs Foot Pad Ø20</p> 	<p>No. J Quantity:1 Pcs Allen Key 4#</p> 	<p>No. K Quantity:1 Pcs Allen Key 5#</p> 	

Product structure



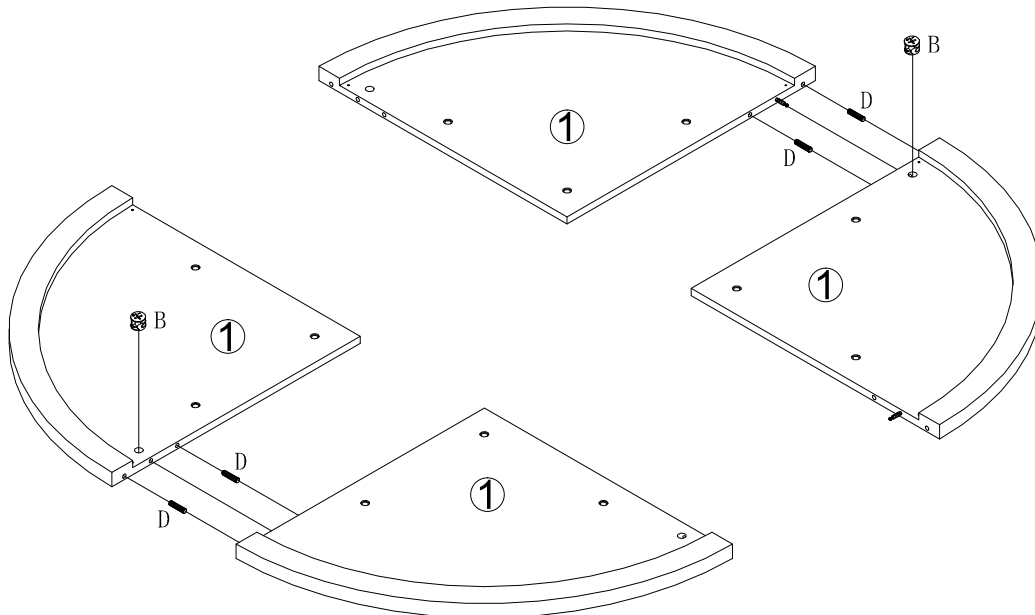
STEP 1



No. A
Quantity: 4 Pcs
8*28 mm



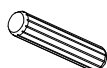
STEP 2



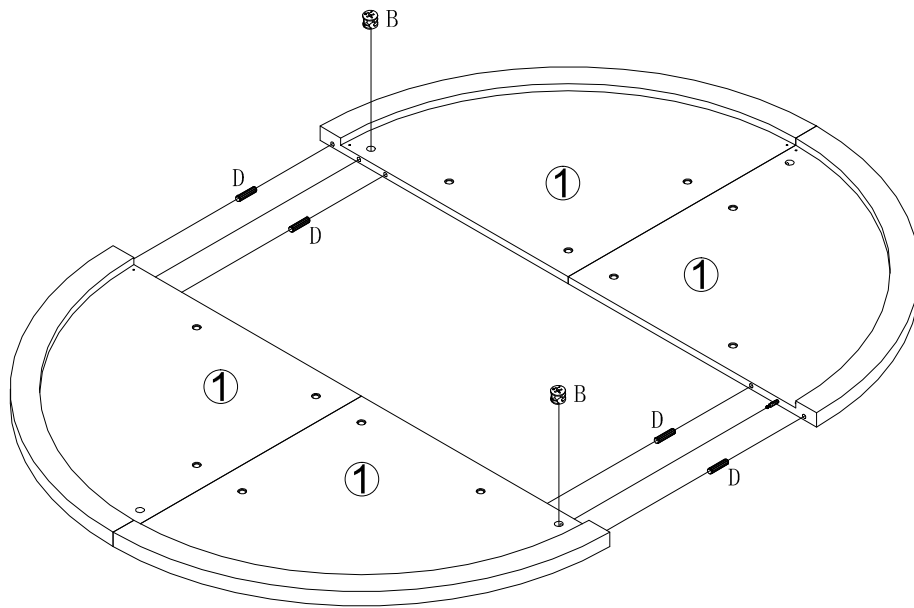
No. B
Quantity: 2 Pcs
Ø15



No. D
Quantity: 4 Pcs
8*40mm



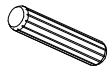
STEP 3



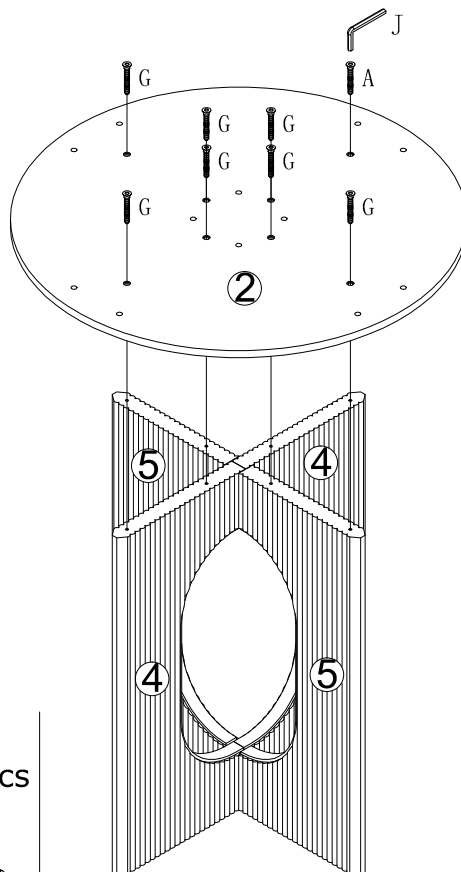
No. B
Quantity: 2 Pcs
Ø15



No. D
Quantity: 4 Pcs
8*40mm



STEP 4



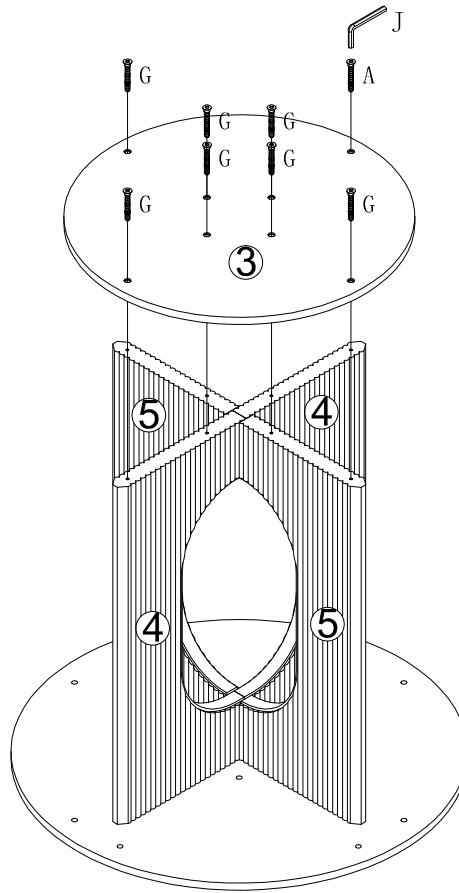
No. G
Quantity: 8 Pcs
M6*40mm



No. J
Quantity: 1 Pcs
4#



STEP 5



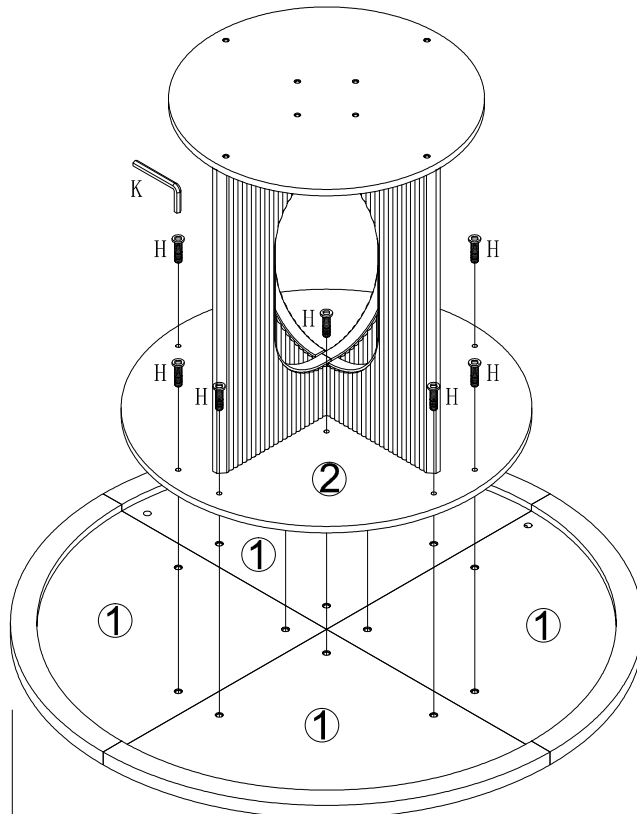
No. G
Quantity: 8 Pcs
M6*40mm



No. J
Quantity: 1 Pcs
4#



STEP 6



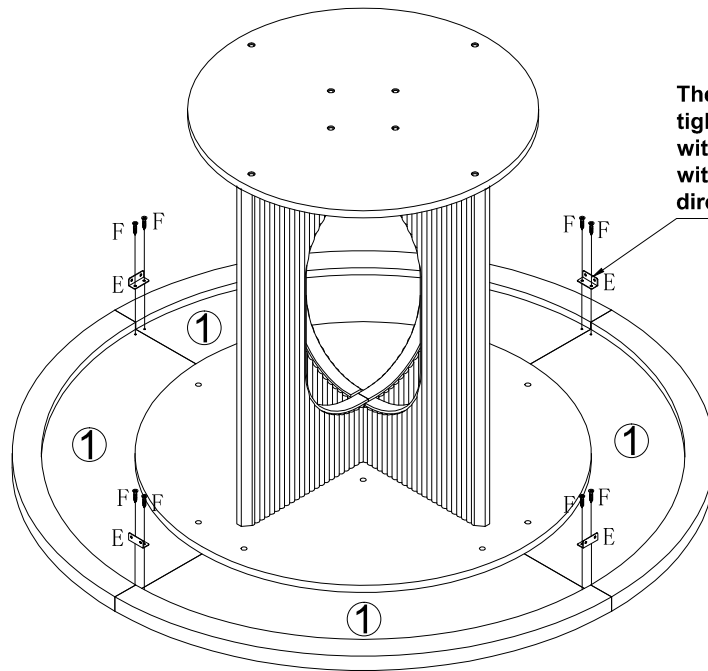
No. H
Quantity: 12 Pcs
M8*25mm



No. K
Quantity: 1 Pcs
5#



STEP 7

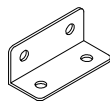


The L-shaped connector is first tightened at the front position with guide holes, and the side without guide holes can be directly secured with screws.

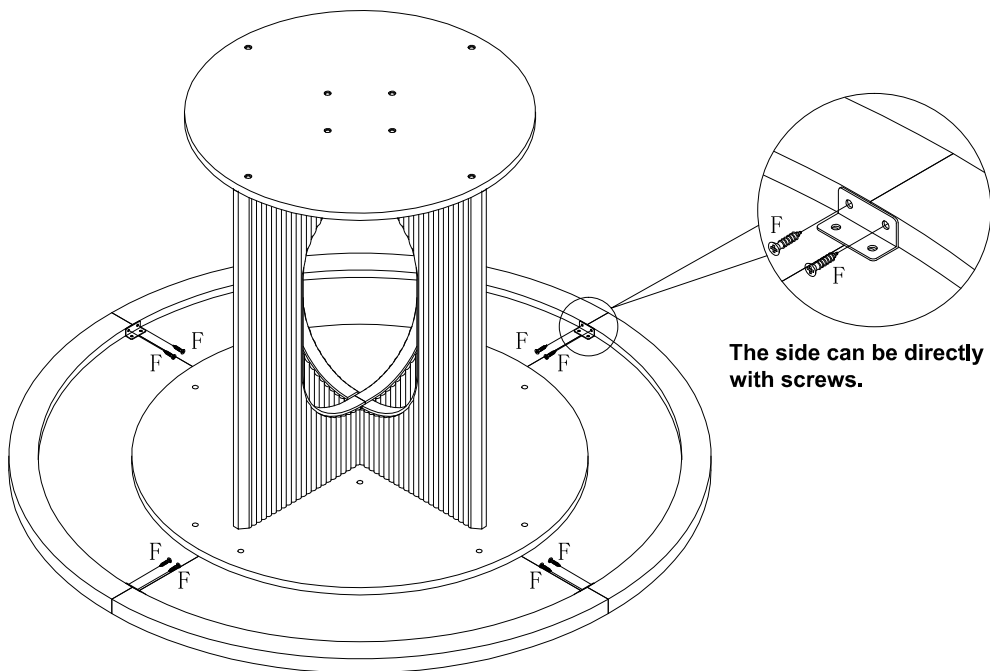
No. F
Quantity: 8 Pcs
M3.5*14mm



No. E
Quantity: 4 Pcs



STEP 8

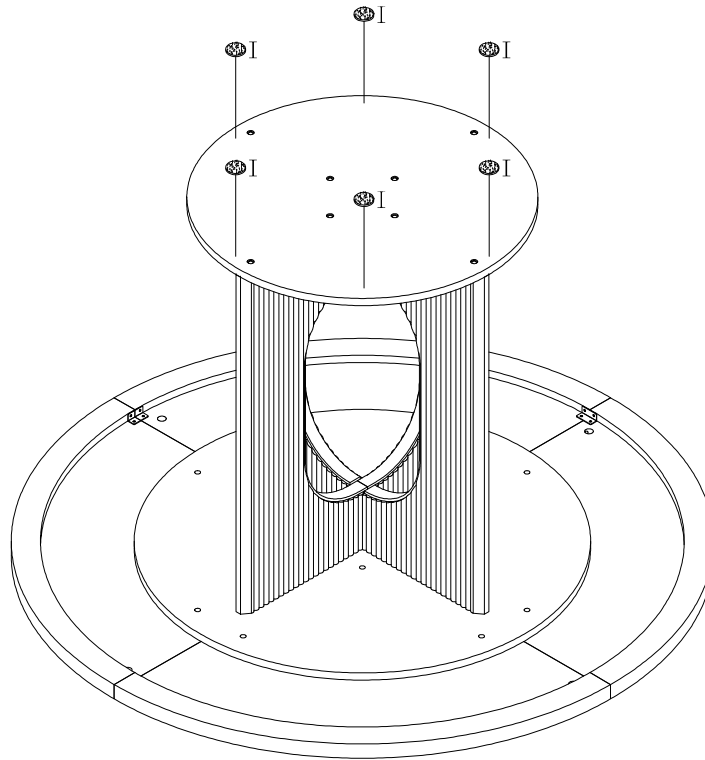


The side can be directly fixed with screws.

No. F
Quantity: 8 Pcs
M3.5*14mm



STEP 9



No. I
Quantity: 6 Pcs
Ø20



STEP 10

