

Fig. 1

**PRE-ASSEMBLY**

- Step 1: Take out all parts supplied on a clean surface as shown in fig. 1.
- Step 2: Take out the bolts, washers and allen-key provided in the Hardware Pack.
- Step 3: Match Side Rail to Head Board 'A' to 'A' & Foot Board 'D' to 'D'. Insert bolts and tighten with wrench provided as shown in fig. 2.
- Step 4: Match another Side Rail to Head Board 'B' to 'B' & Foot Board 'C' to 'C'. Insert bolts and tighten with allen-key provided as shown in fig. 2.
- Step 5: Put the Center Rail after assembling Side Rail to head board and foot board as shown in fig. 3.
- Step 6: Place the wooden slats as shown in fig. 4.

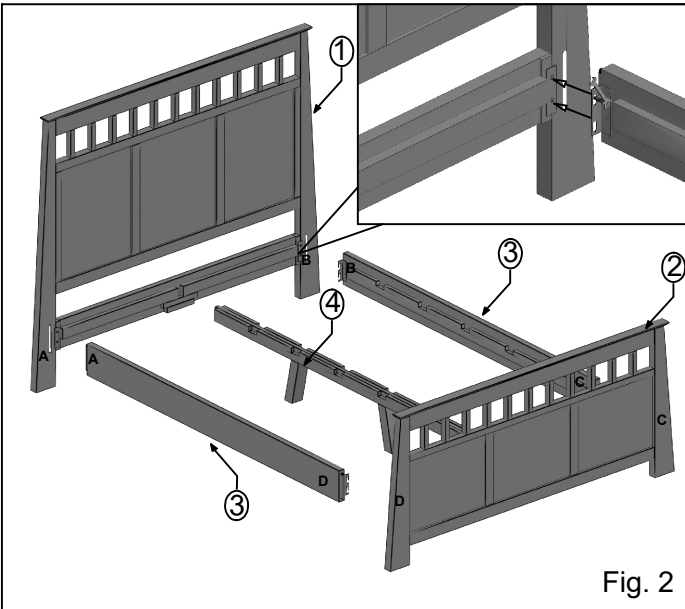


Fig. 2

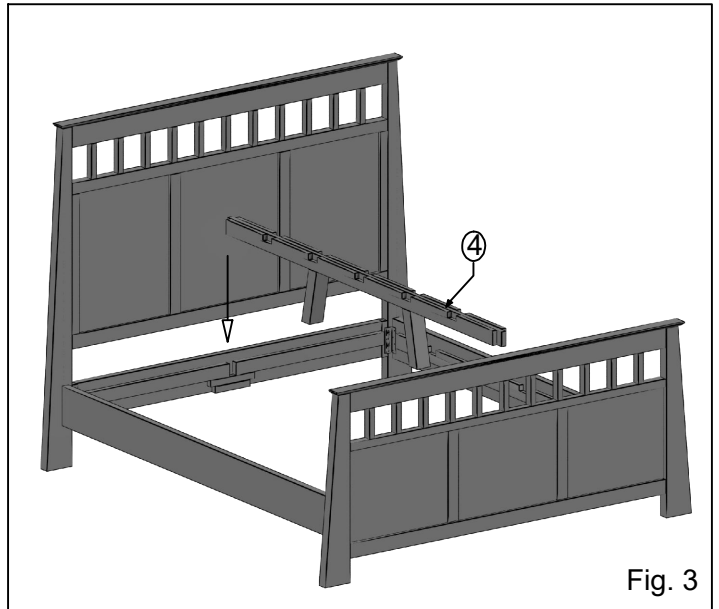


Fig. 3

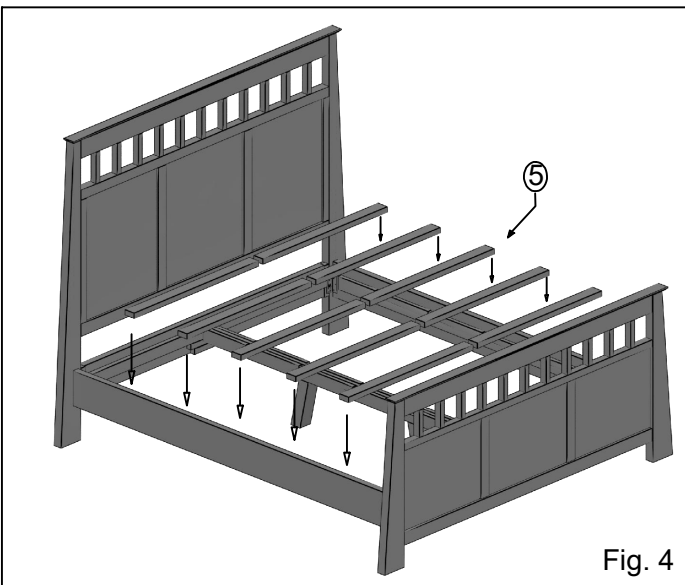
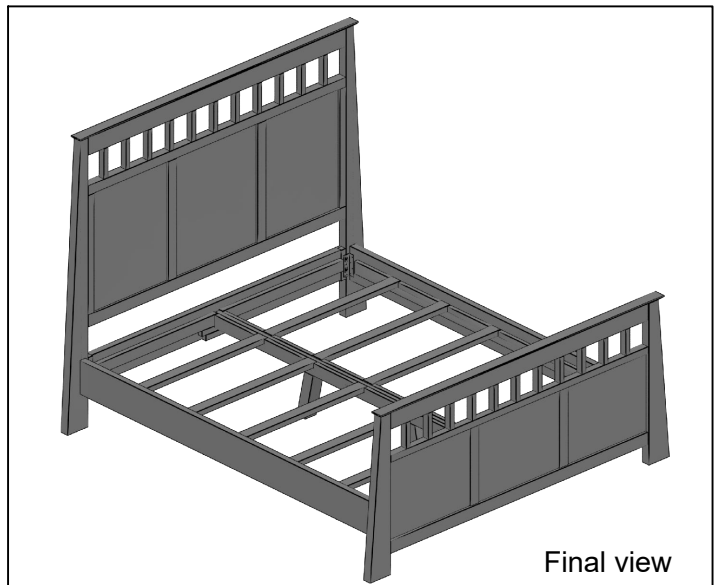


Fig. 4



Final view