

INSTALLATION

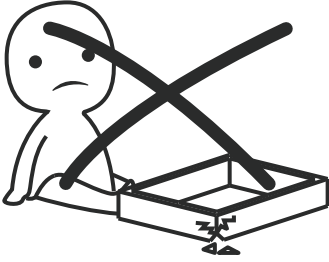
Product Manual

Version: 390131US-01-25A-RY



IMPORTANT INFORMATION!

please read the entire manual before starting to assemble and/or using this product. follow the manual thoroughly and keep it for further reference.



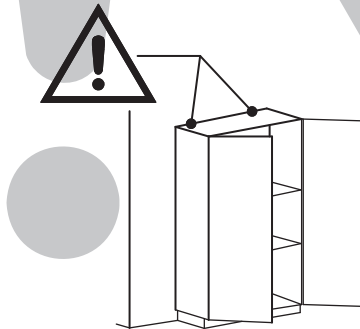
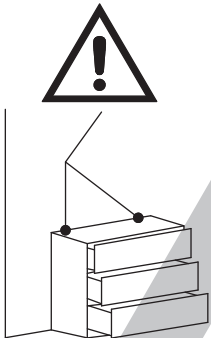
AVOID SCRATCHES!

In order to avoid scratching this furniture should be assembled on a soft layer- could be a rug.



IMPROVE EFFICIENCY !

Try to find a partner to install with you, which can speed up the installation efficiency and shorten the time.



ANTI-TOPPLE WARNING !

Overturnd furniture can cause serious or fatal crush injuries. To prevent tipping over, be sure to use the wall attachment, if not included with this product. Please purchase the wall attachment that fit your wall. If unsure, seek professional advice. Please read and follow each step of the instructions carefully.

IMPORTANT !

It is important that any product which is assembled using any kind of screw is re-tightened 2 weeks after assembly, and once every 3 months - in order to assure stability through-out the lifespan of the product.

For regular maintenance and cleaning of the product, for the frame, please use a rag dipped in neutral detergent to fully wipe it, and then dry it with a clean rag. For glass materials, wipe with a rag dampened with water glass cleaner, and then dry with a dry rag.

Do not use an electric screwdriver, and do not use too much force when installing, because the board is easy to break.

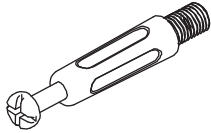


Please prepare the following tools



When installing, please carefully confirm whether each screw corresponds to the manual, accessories with similar shapes can be distinguished by size

A x 115



Ø 6 x 35 mm

B x 115



Ø 15 x 12 mm

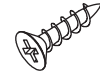
C x 16



Ø 3 x 12 mm

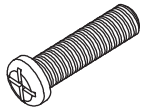
D x 48

Bronze



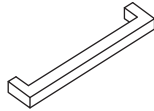
Ø 3 x 14 mm

E x 32

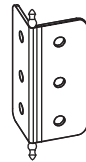


Ø 4 x 22 mm

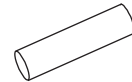
F x 16



G x 8

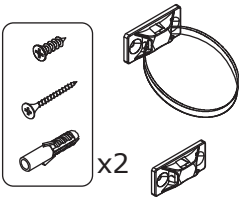


H x 16



Ø 6 x 30 mm

J x 2



K x 16



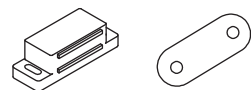
Ø 4 x 30 mm

L x 36

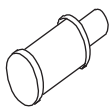


Ø 3 x 14 mm

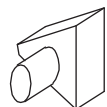
M x 4



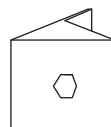
N x 24



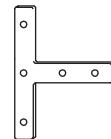
P x 12

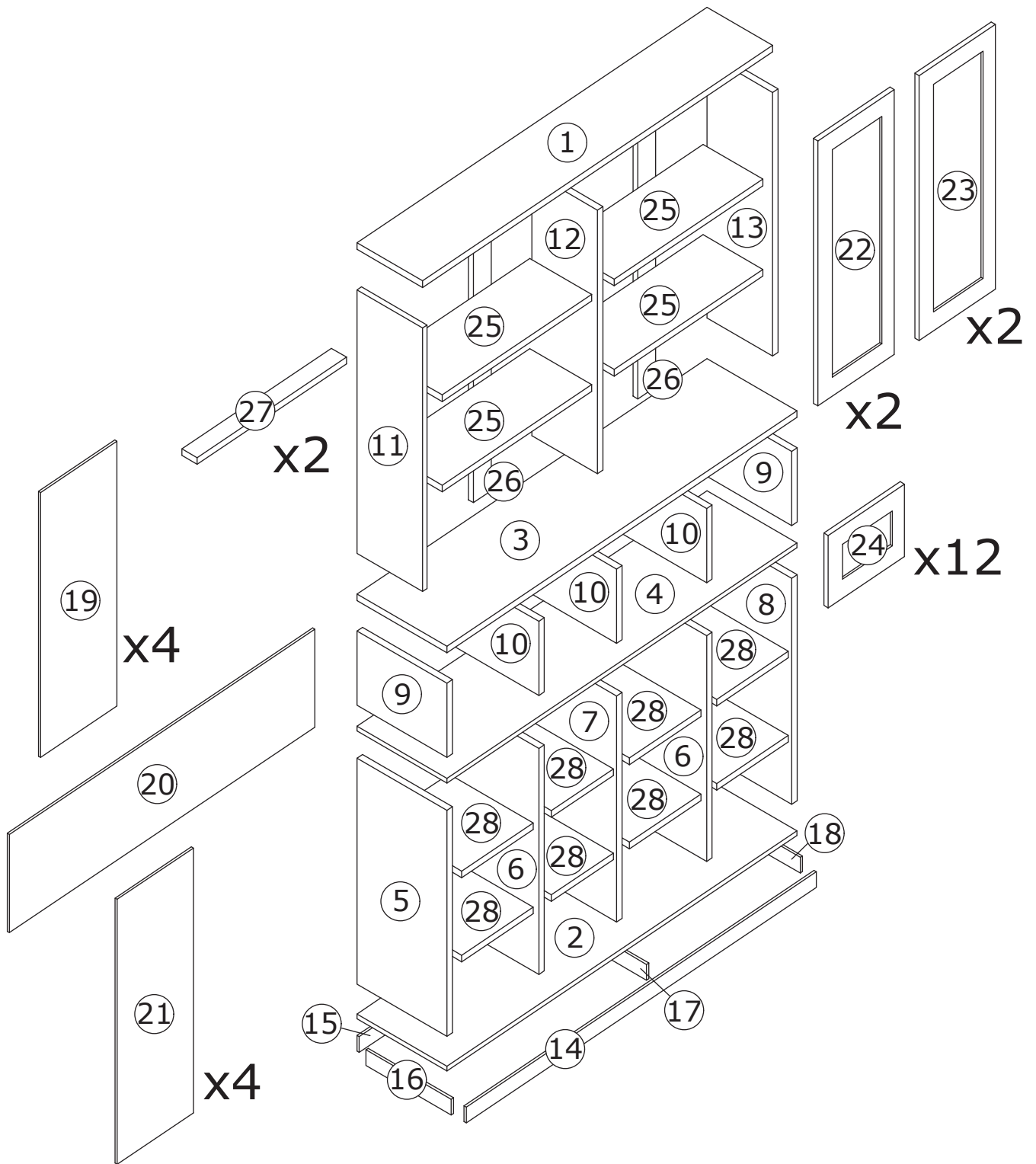


R x 16



S x 4





⚠ WARNING

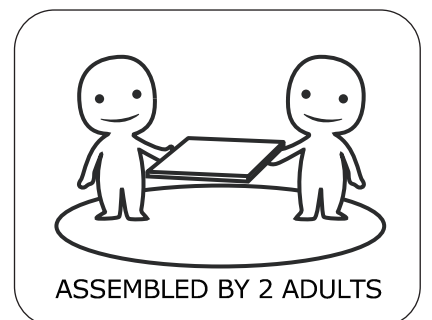


Children have died from furniture tipover. To reduce the risk of furniture tipover:

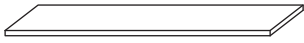
- ALWAYS install Anti-tip device provided.
- NEVER put a TV on this product.
- NEVER allow children to stand, climb or hang on drawers, doors, or shelves.
- NEVER open more than one drawer at a time.
- Place heaviest items in the lowest drawers.



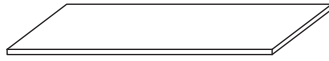
*This is a permanent label.
Do not remove!*



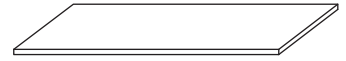
① x1



② x1



③ x1



④ x1



⑤ x1



⑥ x2



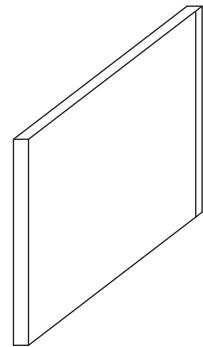
⑦ x1



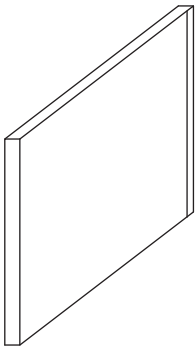
⑧ x1



⑨ x2



⑩ x3



⑪ x1



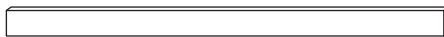
⑫ x1



⑬ x1



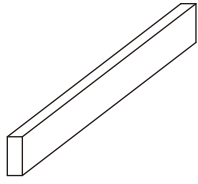
⑭ x1



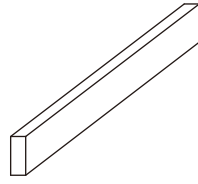
⑮ x1



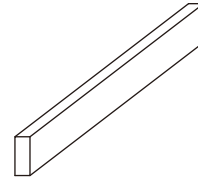
16x1



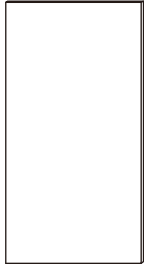
17x1



18x1



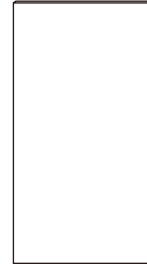
19x4



20x1



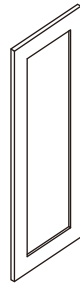
21x4



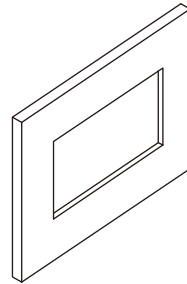
22x2



23x2



24x12



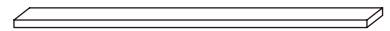
25x4



26x2



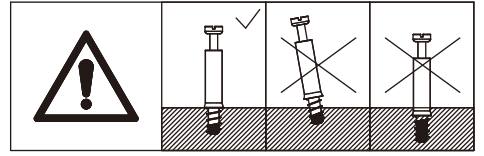
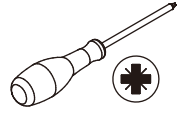
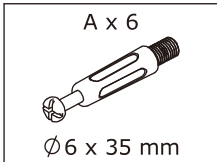
27x2



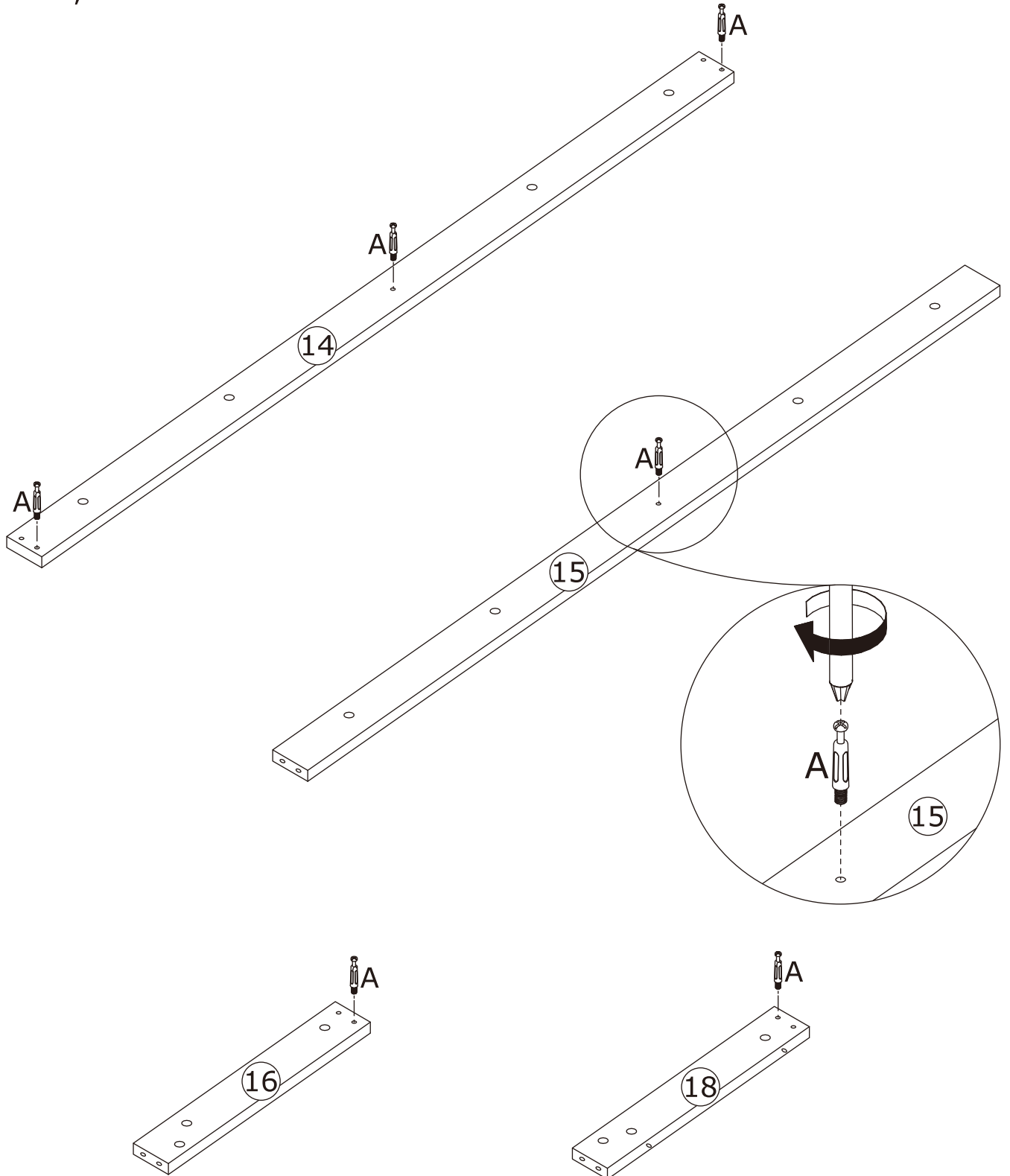
28x8



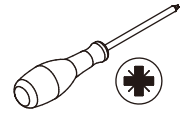
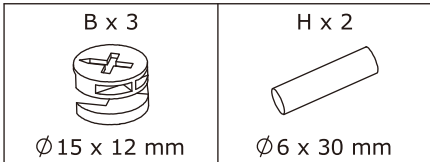
1



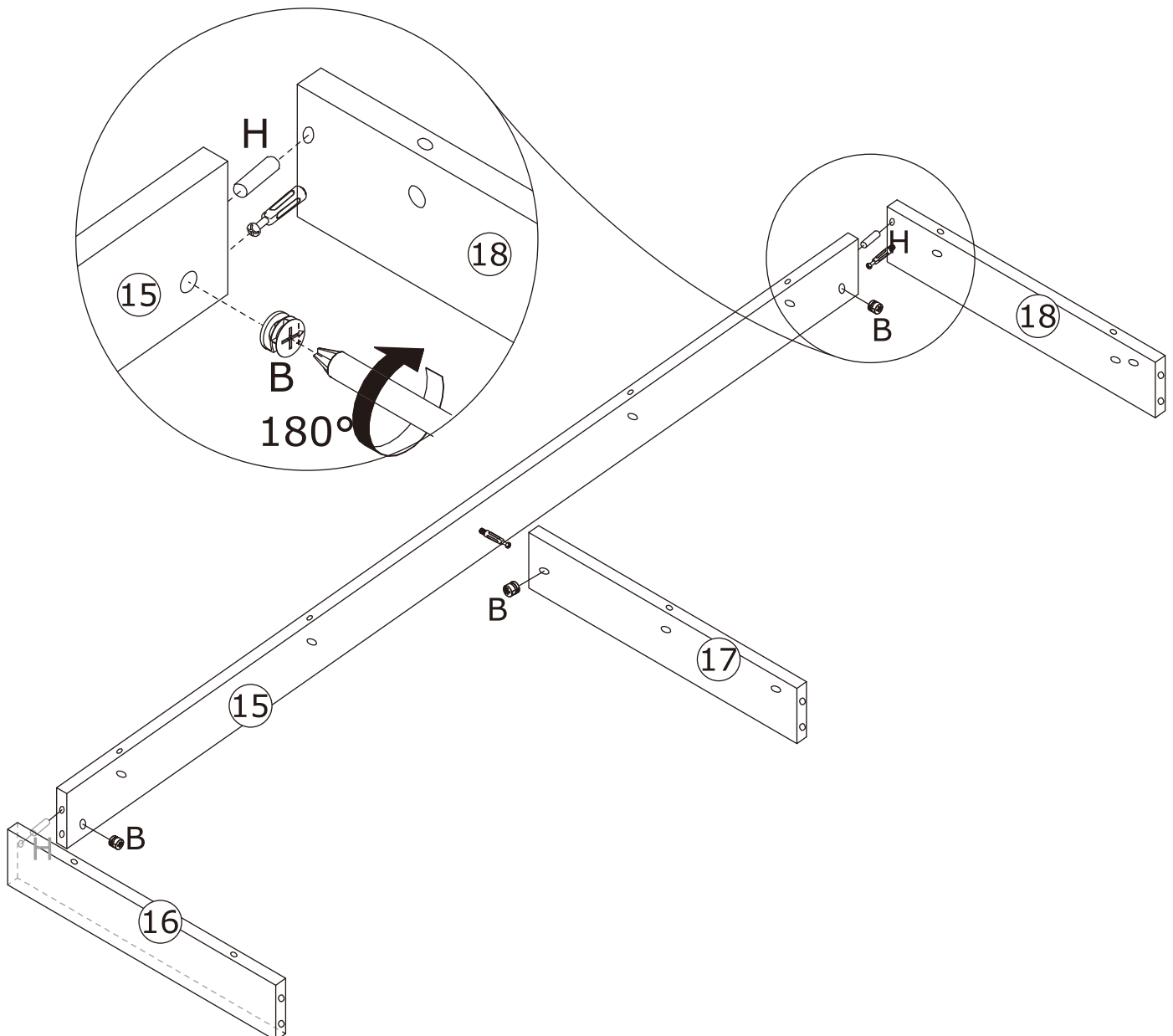
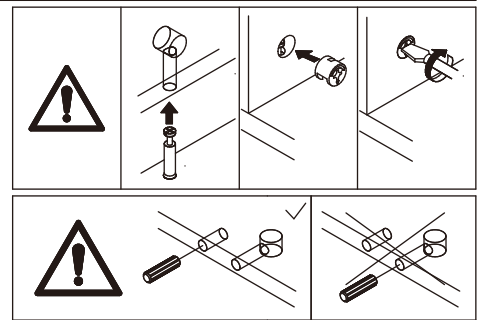
Secure screws (A) to plates 14, 15, 16, and 18 as shown.



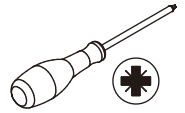
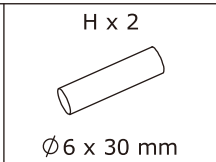
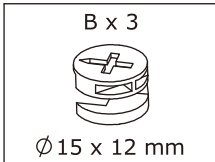
2



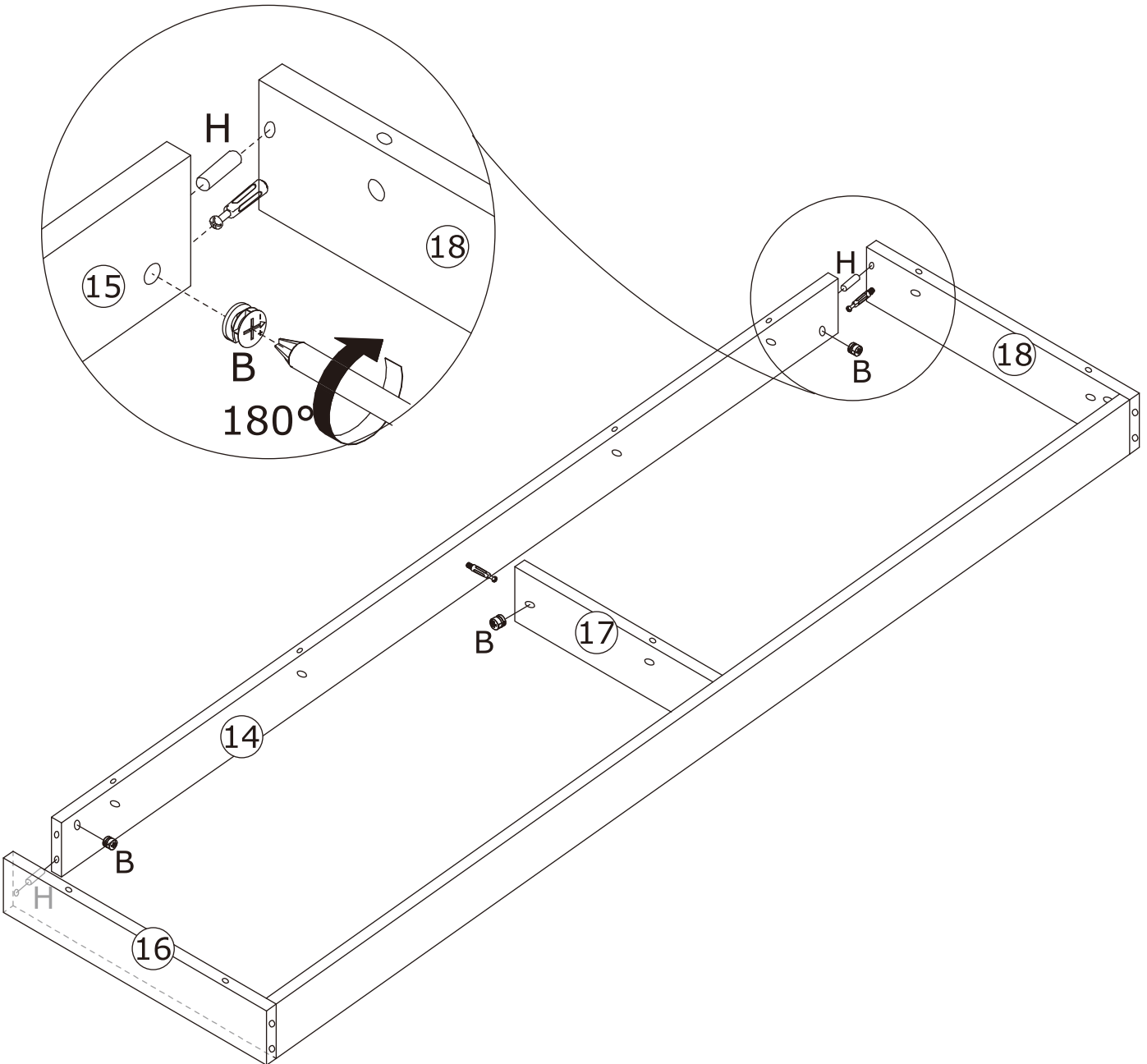
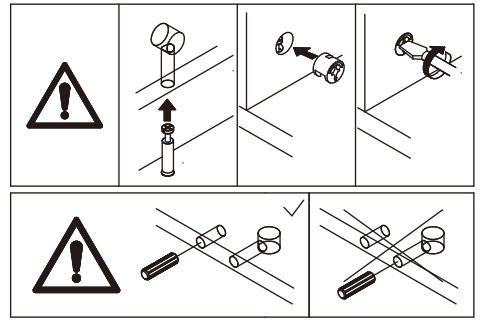
Firstly, insert the wood dowels (H) to plates 16 and 18, then connect the plates 15, 16, 17 and 18 together, tighten and secure them with the cam locks (B) as shown.



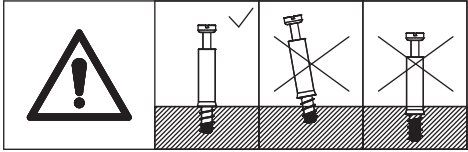
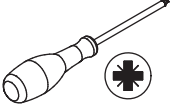
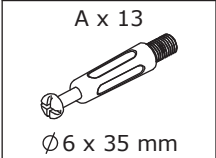
3



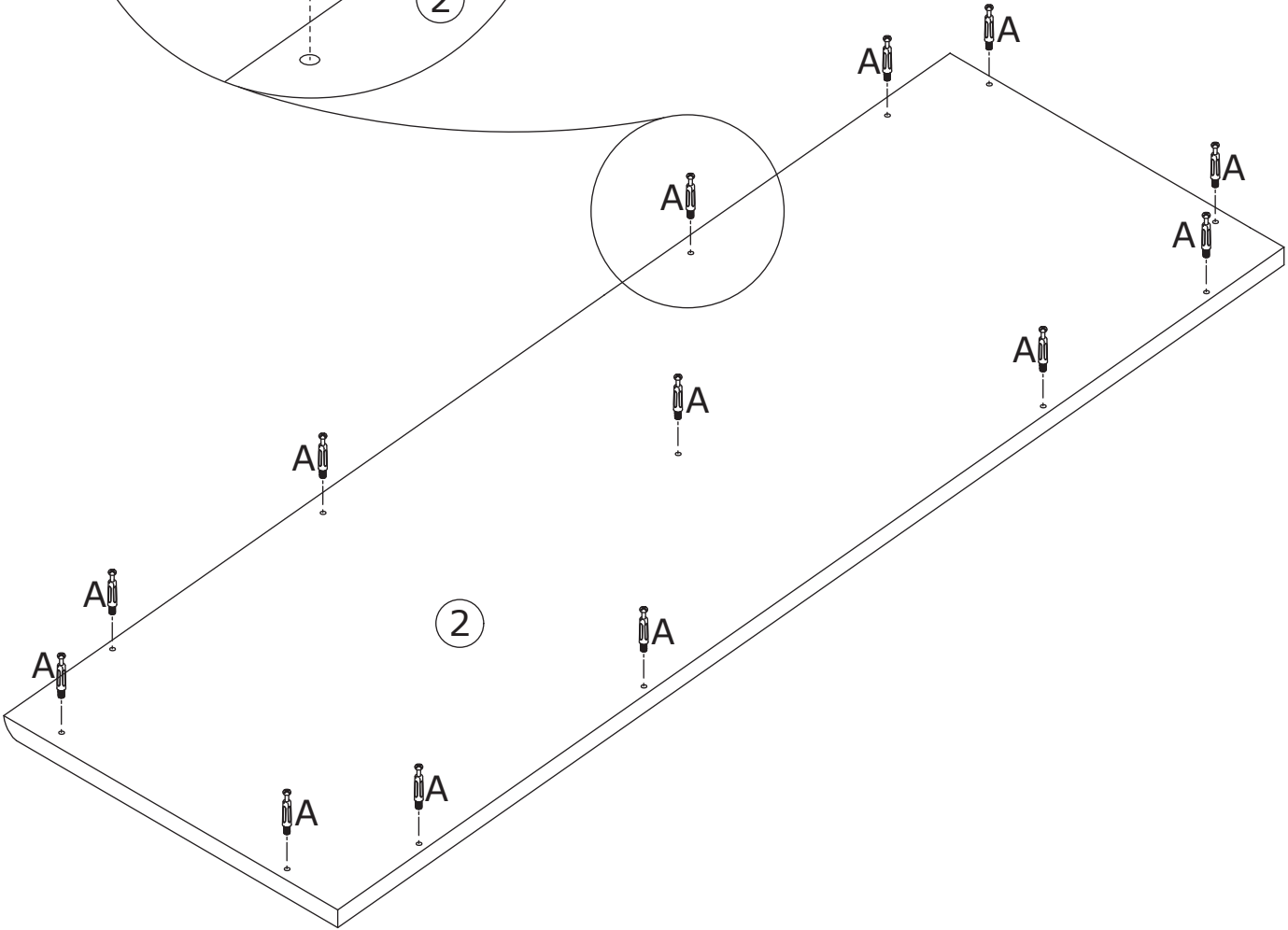
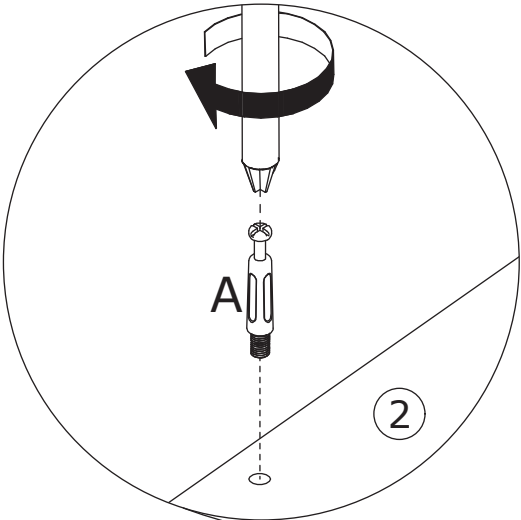
Insert the wood dowels (H) to plate 14, then connect the plate 14 to the plates 16, 17, and 18, then tighten and secure them with the cam locks (B) as shown.



4

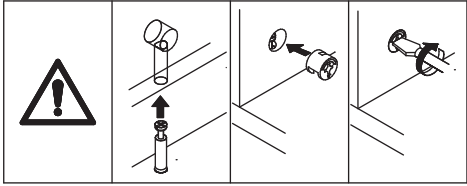


Secure screws (A) to plate 2 as shown.

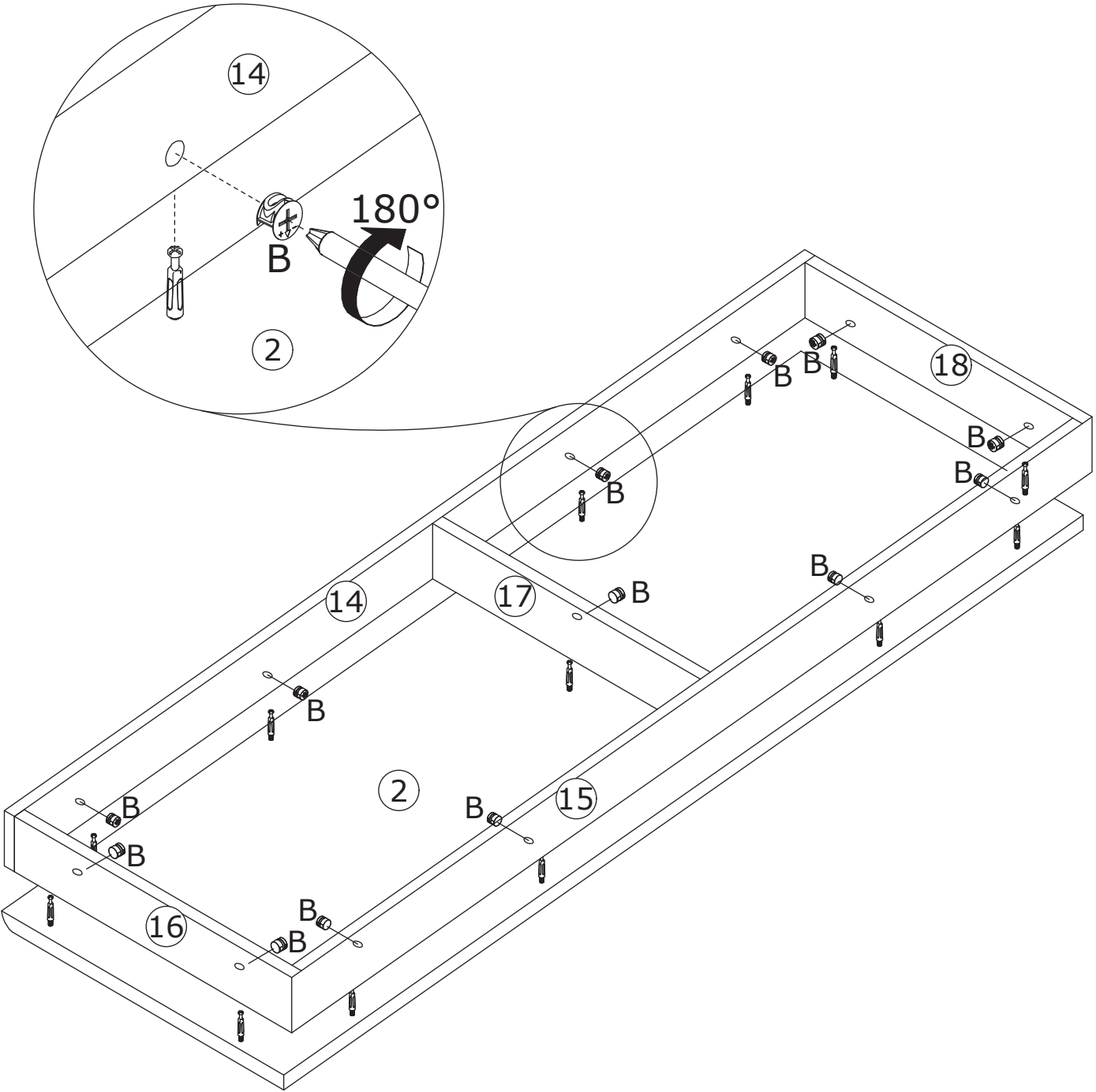


5

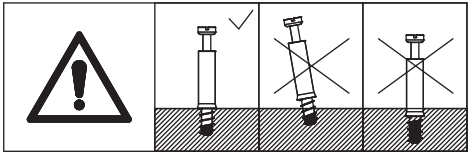
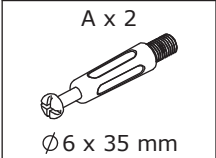
B x 13
Ø 15 x 12 mm



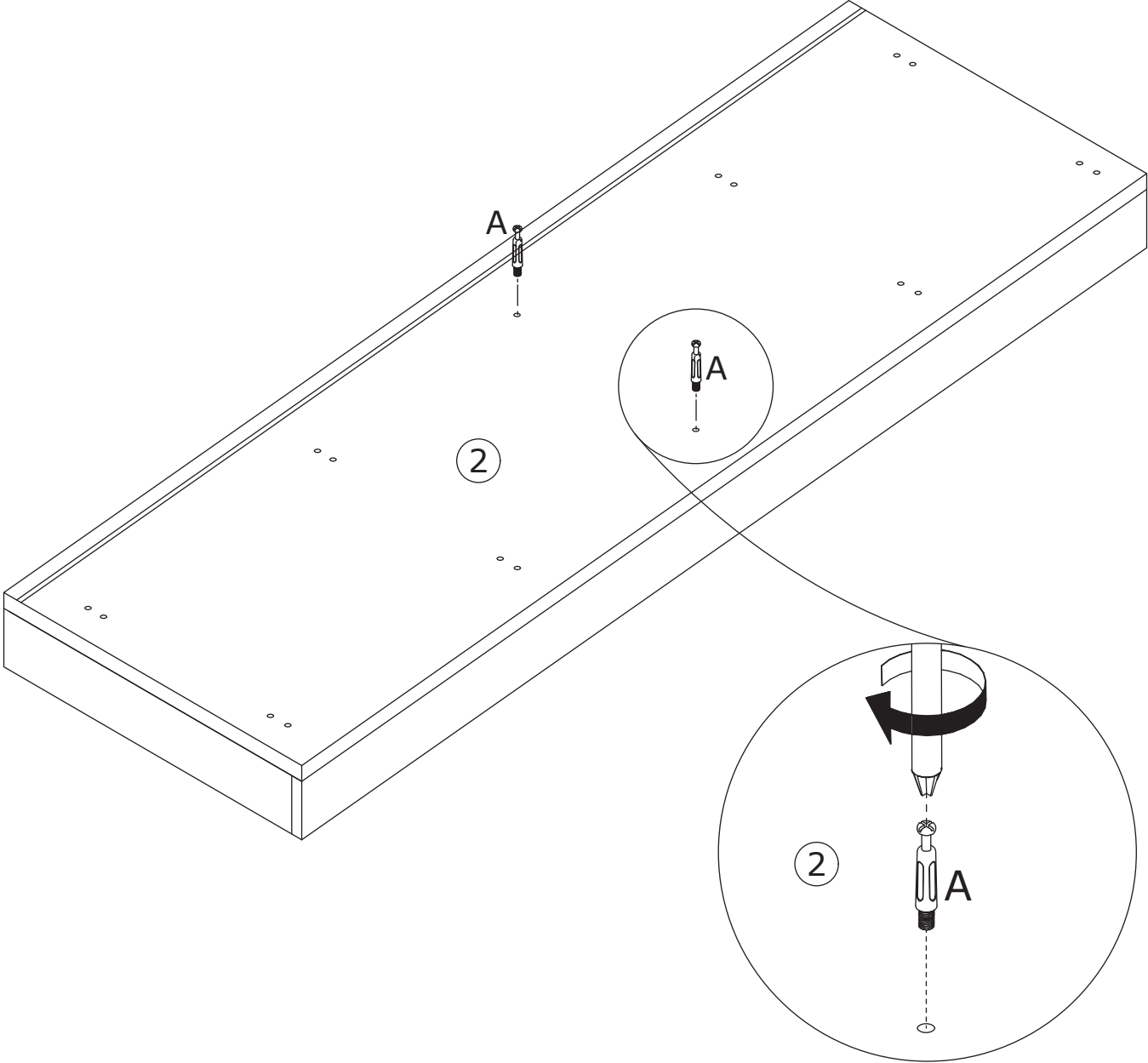
Attach the component and plate 2 together, tighten and secure them with the cam locks (B) as shown.



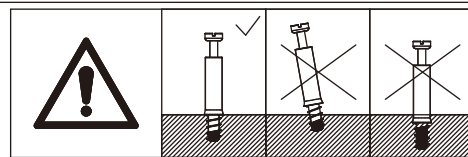
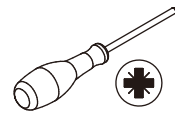
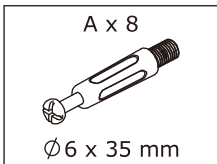
6



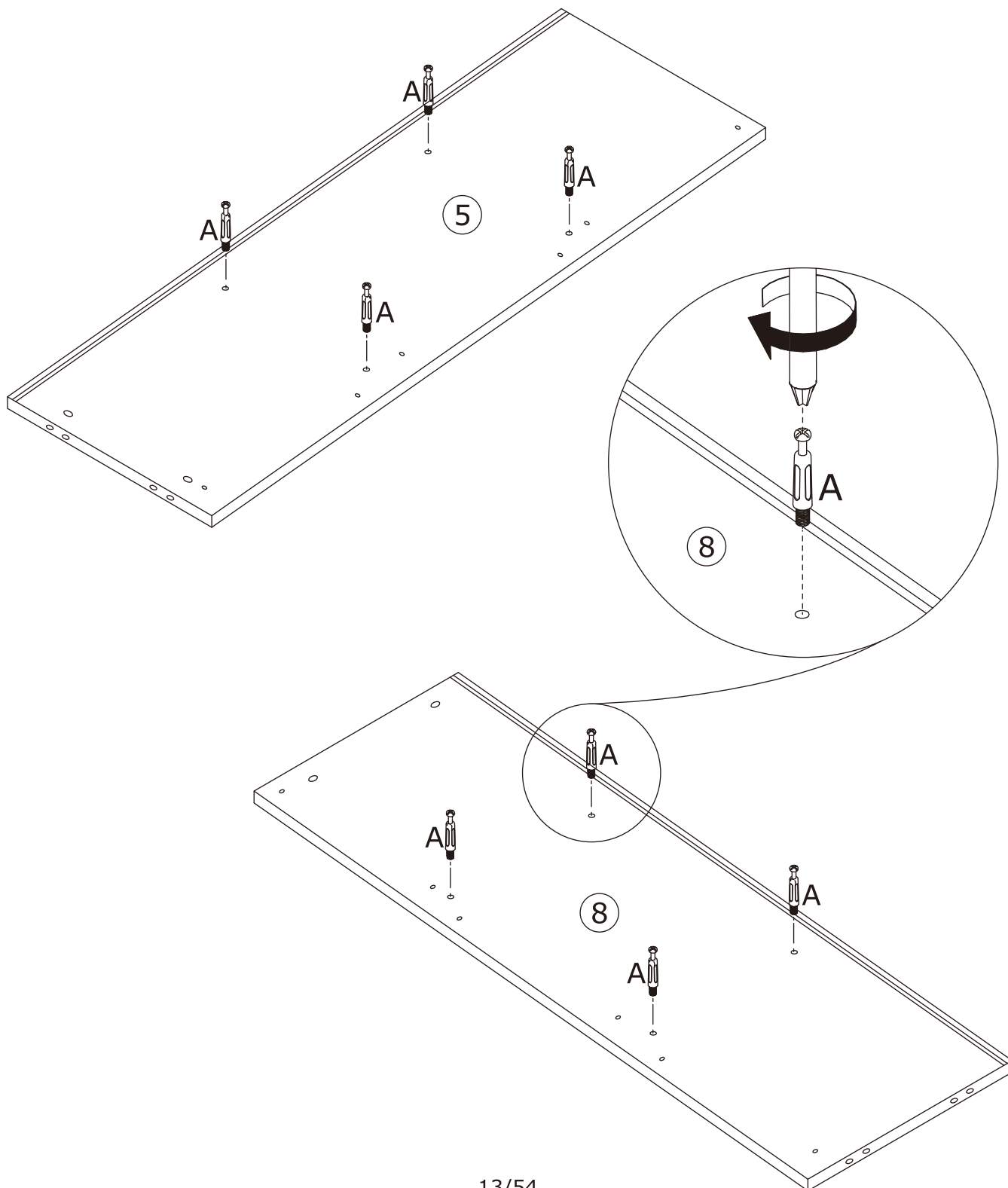
Secure screws (A) to plate 2 as shown.



7

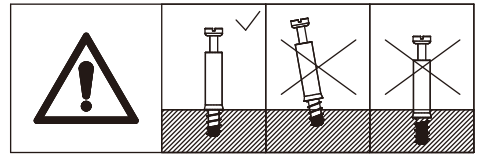
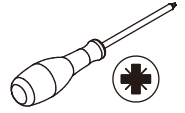


Secure screws (A) to panels 5 and 8 as shown.

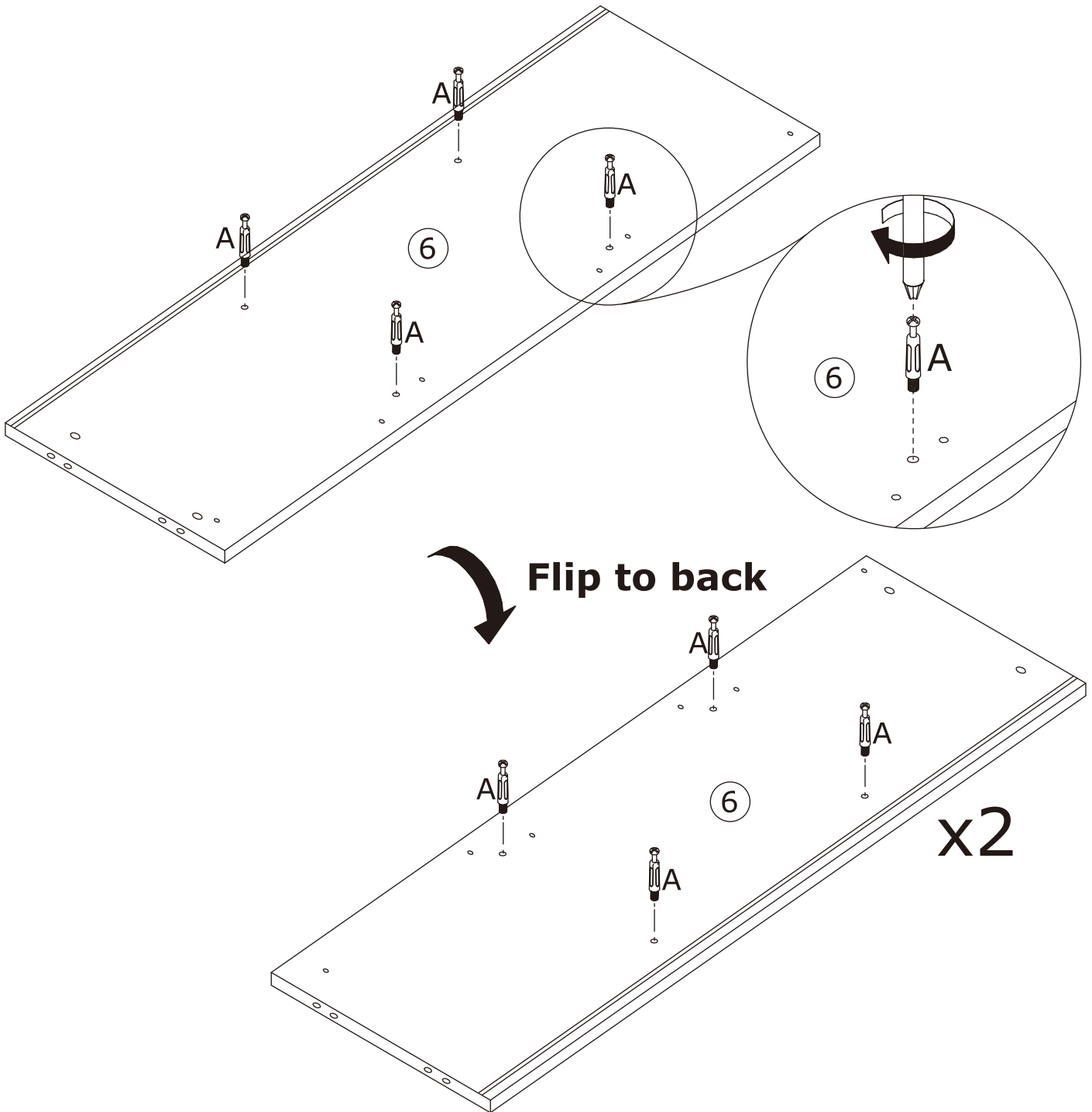


8

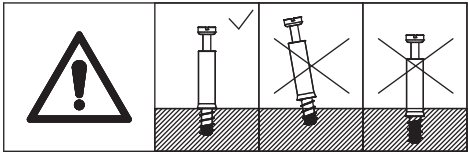
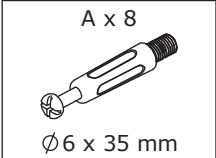
A x 16
Ø6 x 35 mm



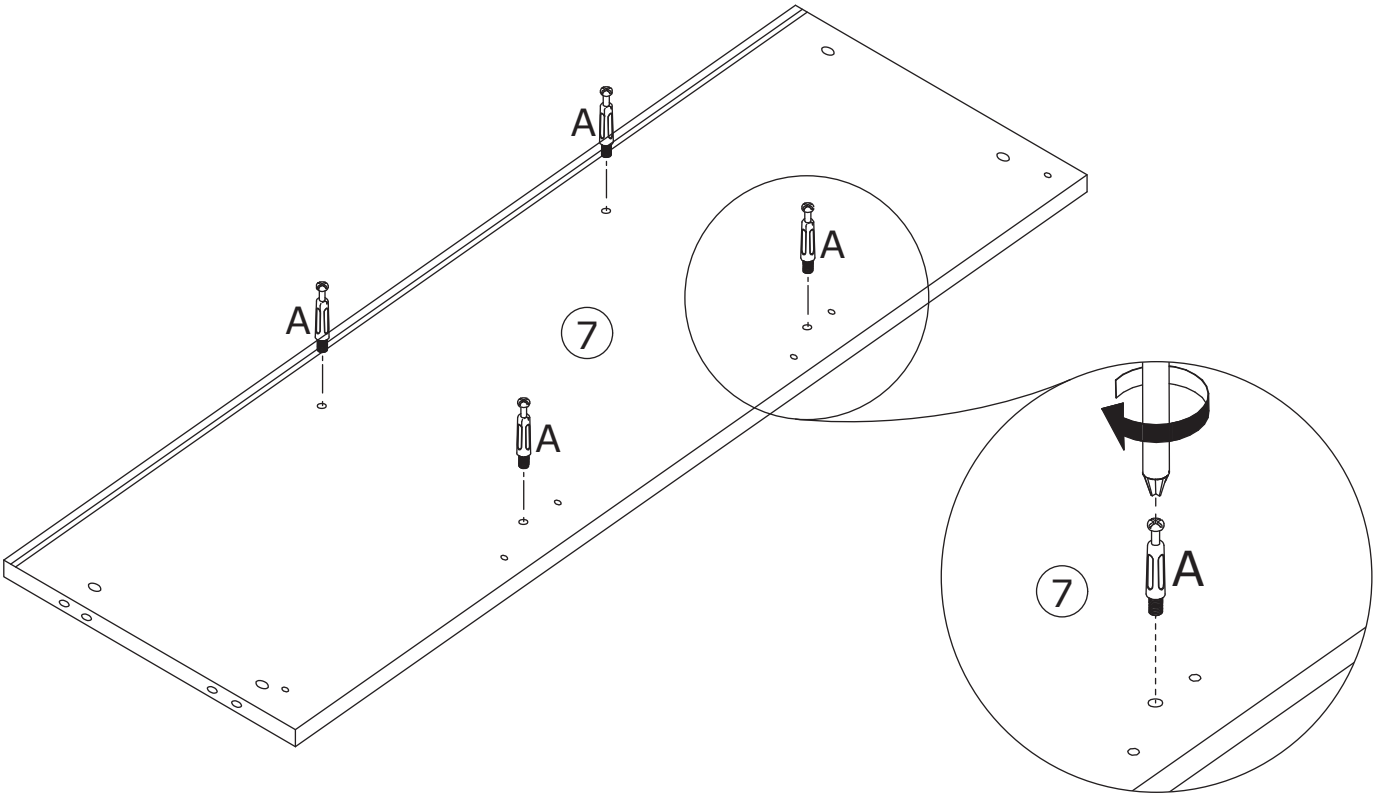
Secure screws (A) to plate 6 as shown.



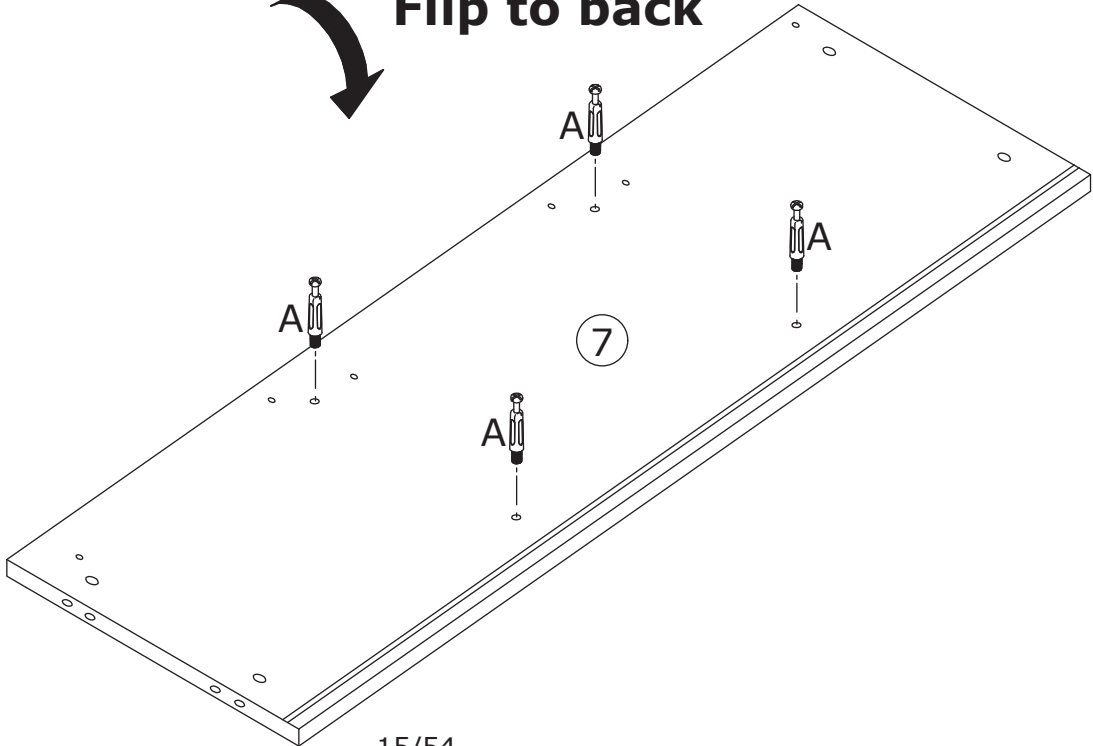
9



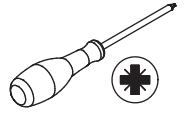
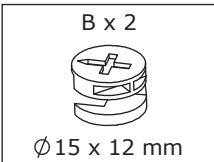
Secure screws (A) to plate 7 as shown.



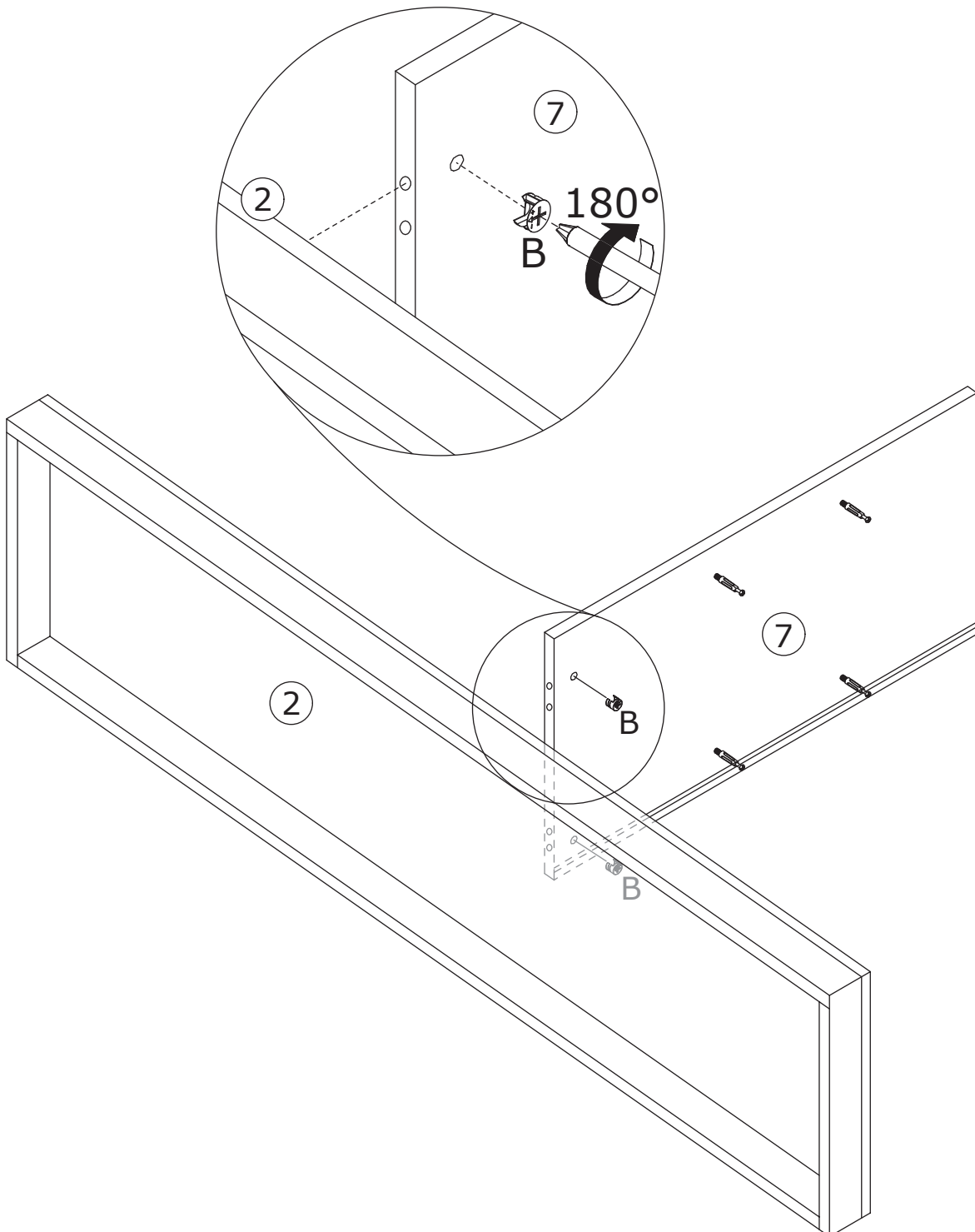
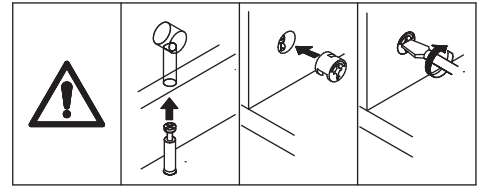
Flip to back



10

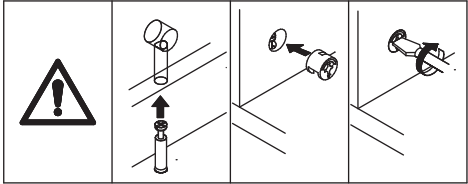


Attach the grouped bottom frame and plate 7 together and secure by tightening with hardware (B) as shown.

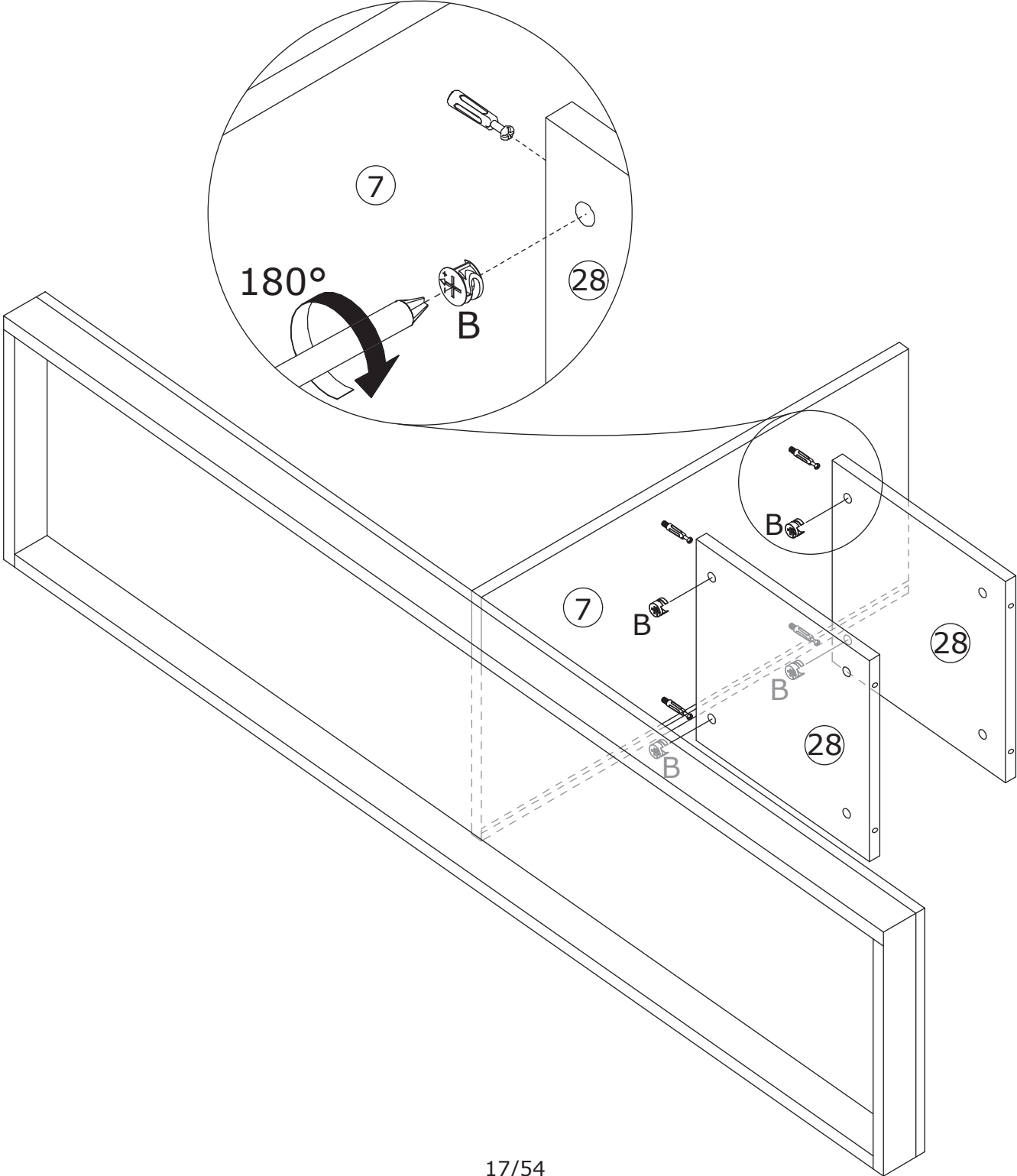


11

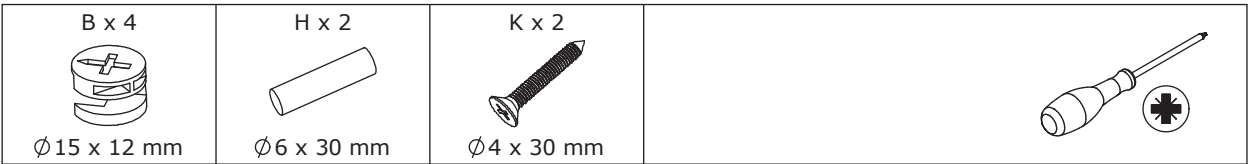
B x 4
Ø15 x 12 mm



Connect the neutral plate 7 and ply 28 together first, then tighten and secure with hardware (B) as shown.

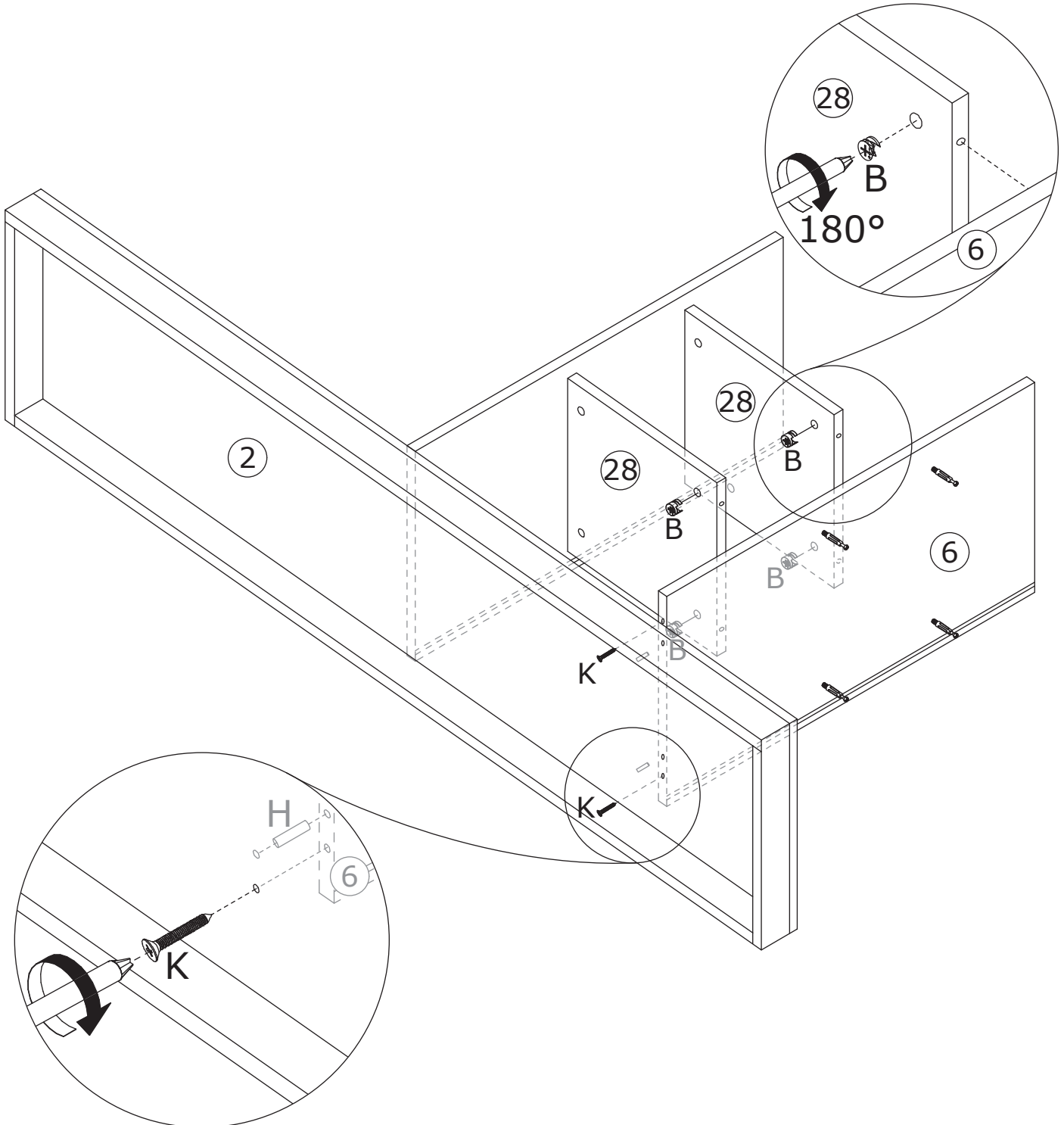
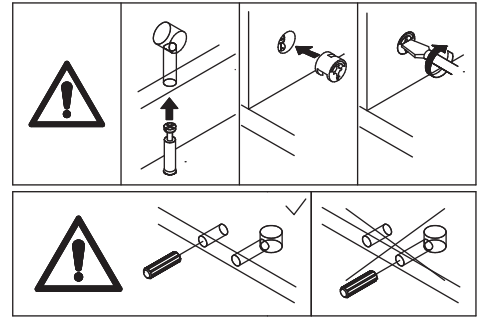


12



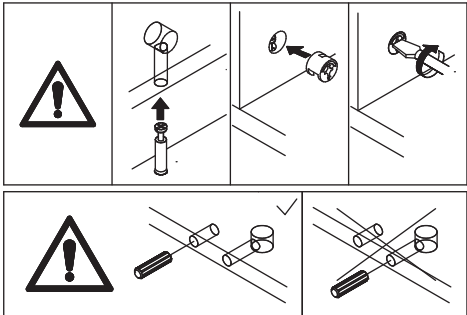
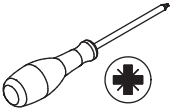
Firstly, insert the wood dowels (H) into plate 6, connect plate 28 and plate 6 together, tighten and secure them with the cam locks (B) as shown.

Connect plate 6 and plate 2 together, secure with the screws (K).

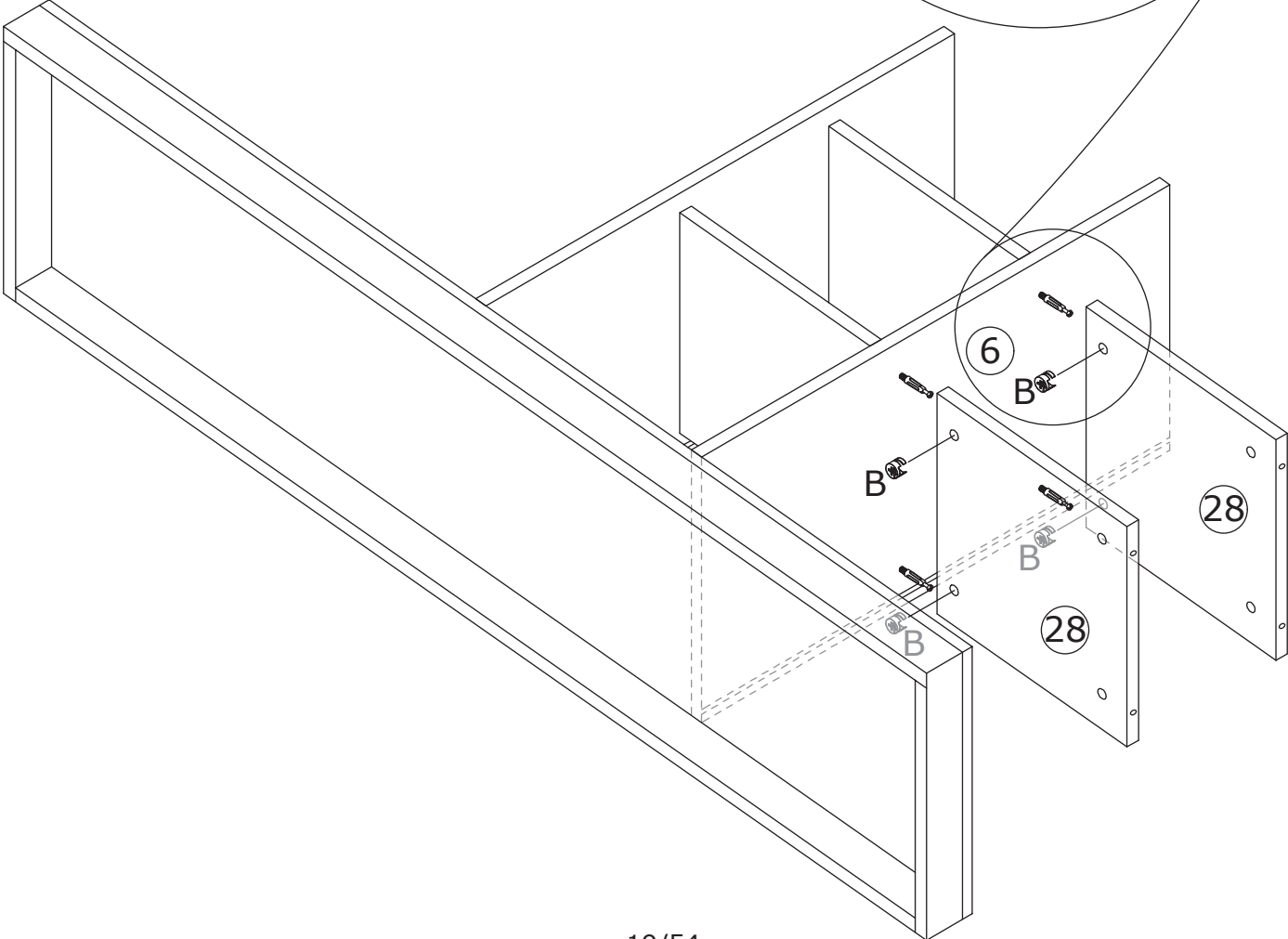
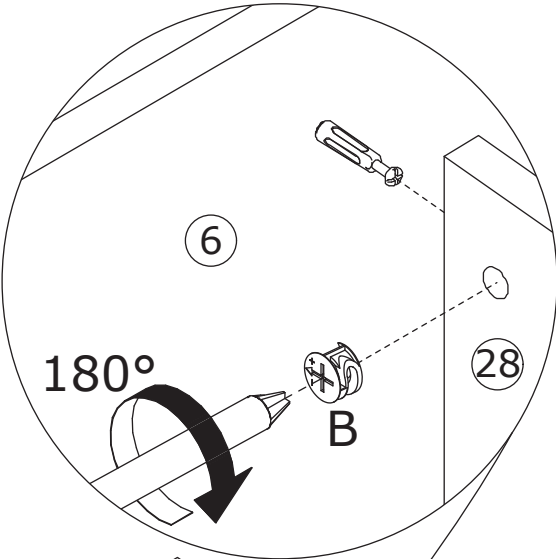


13

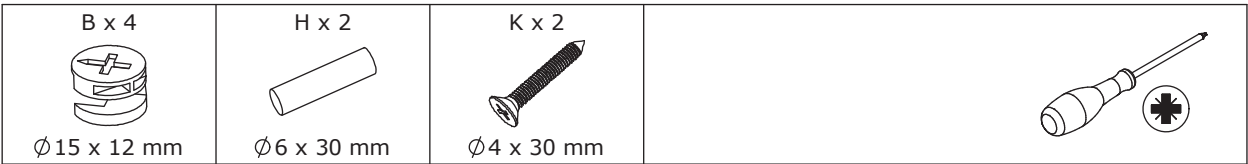
B x 4
Ø15 x 12 mm



Connect plate 6 and plate 28 together, tighten and secure them with the cam locks (B) as shown.

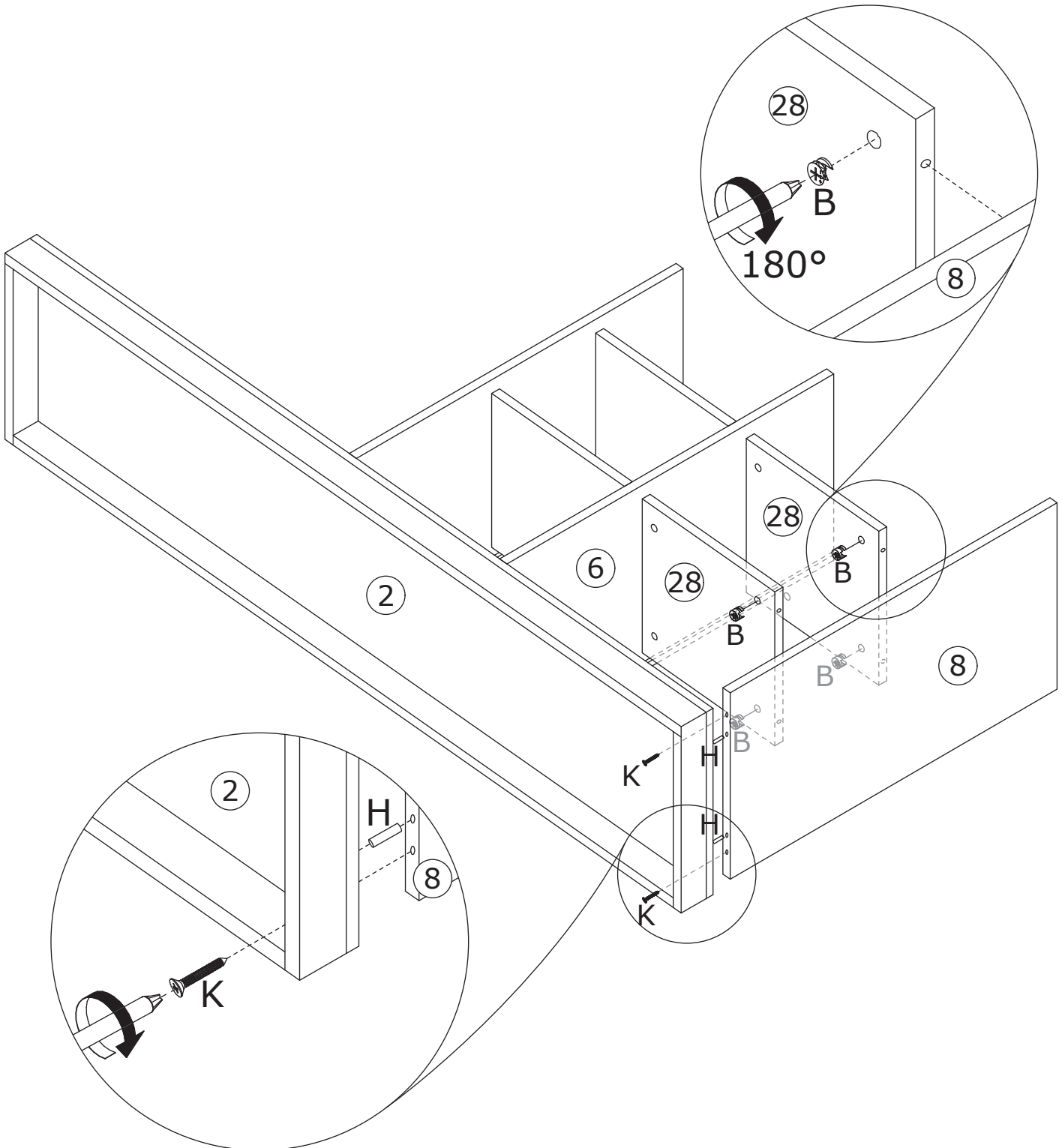
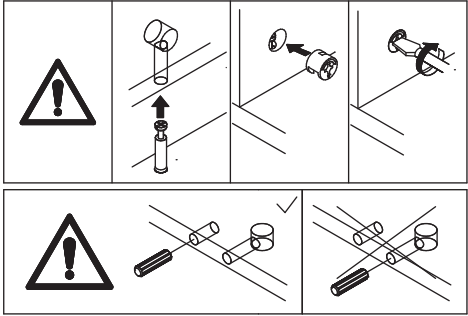


14



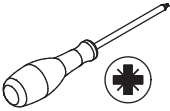
Firstly, insert the wood dowels (H) to plate 8, connect the plate 28 and plate 8 together, tighten and secure them with the cam locks (B) as shown.

Connect plate 8 and plate 2 together, secure with the screws (K) as shown.

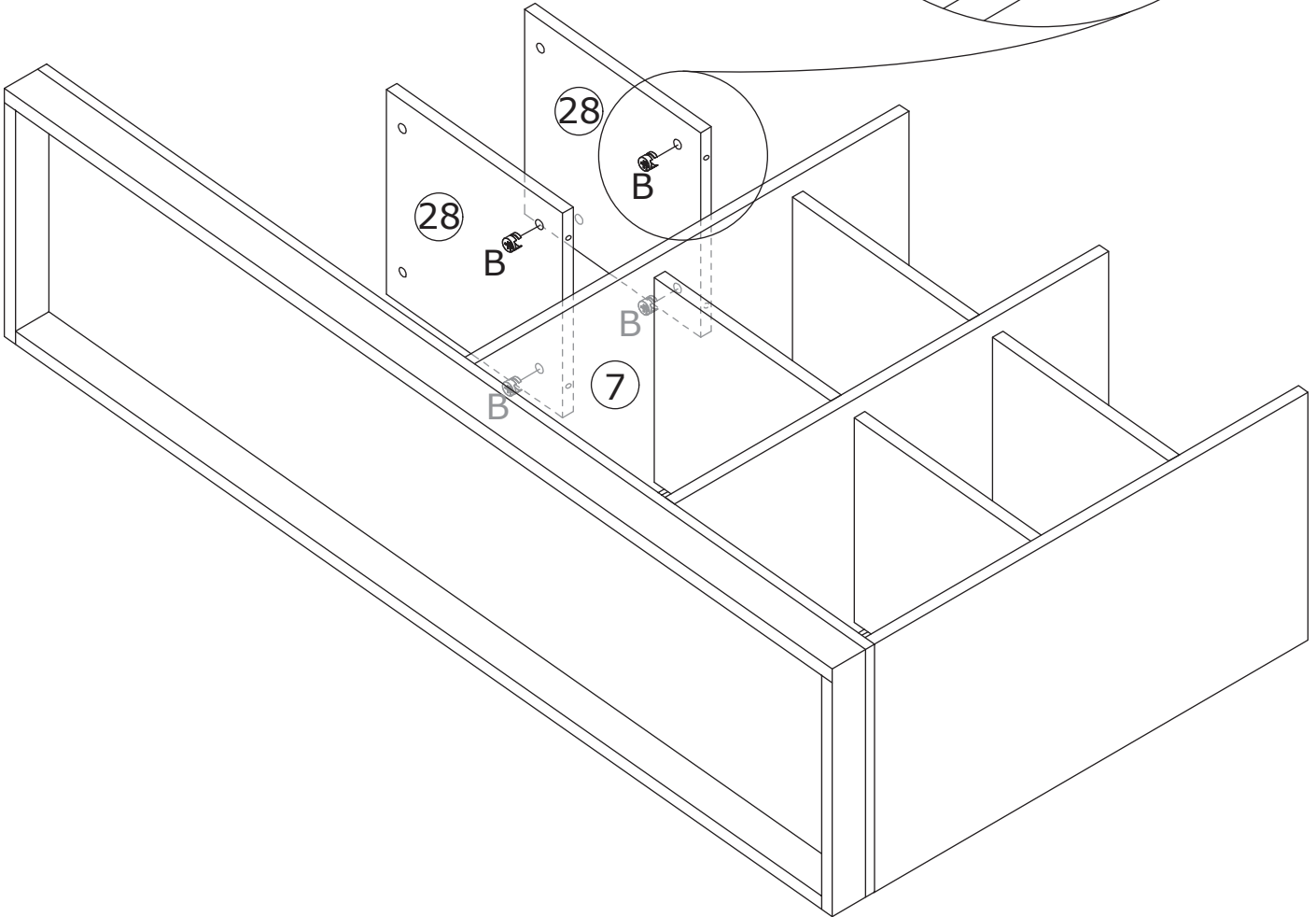
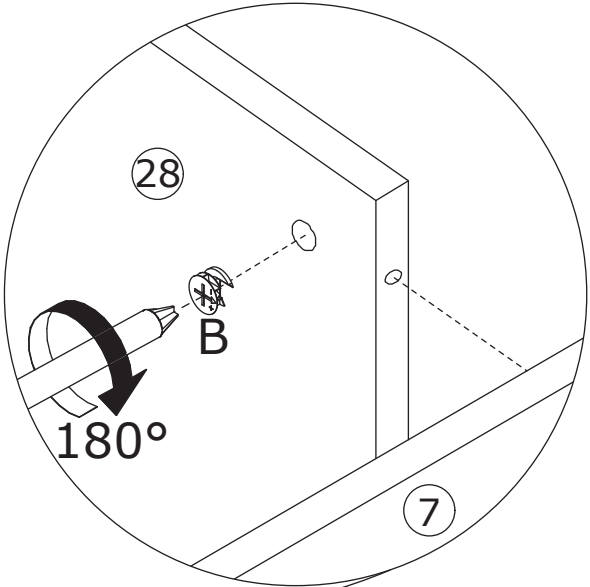
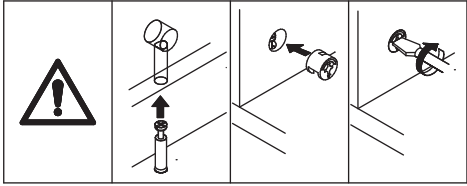


15

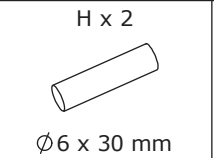
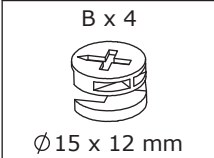
B x 4
Ø15 x 12 mm



Connect plate 7 and plate 28, tighten and secure them with the cam locks (B) as shown.

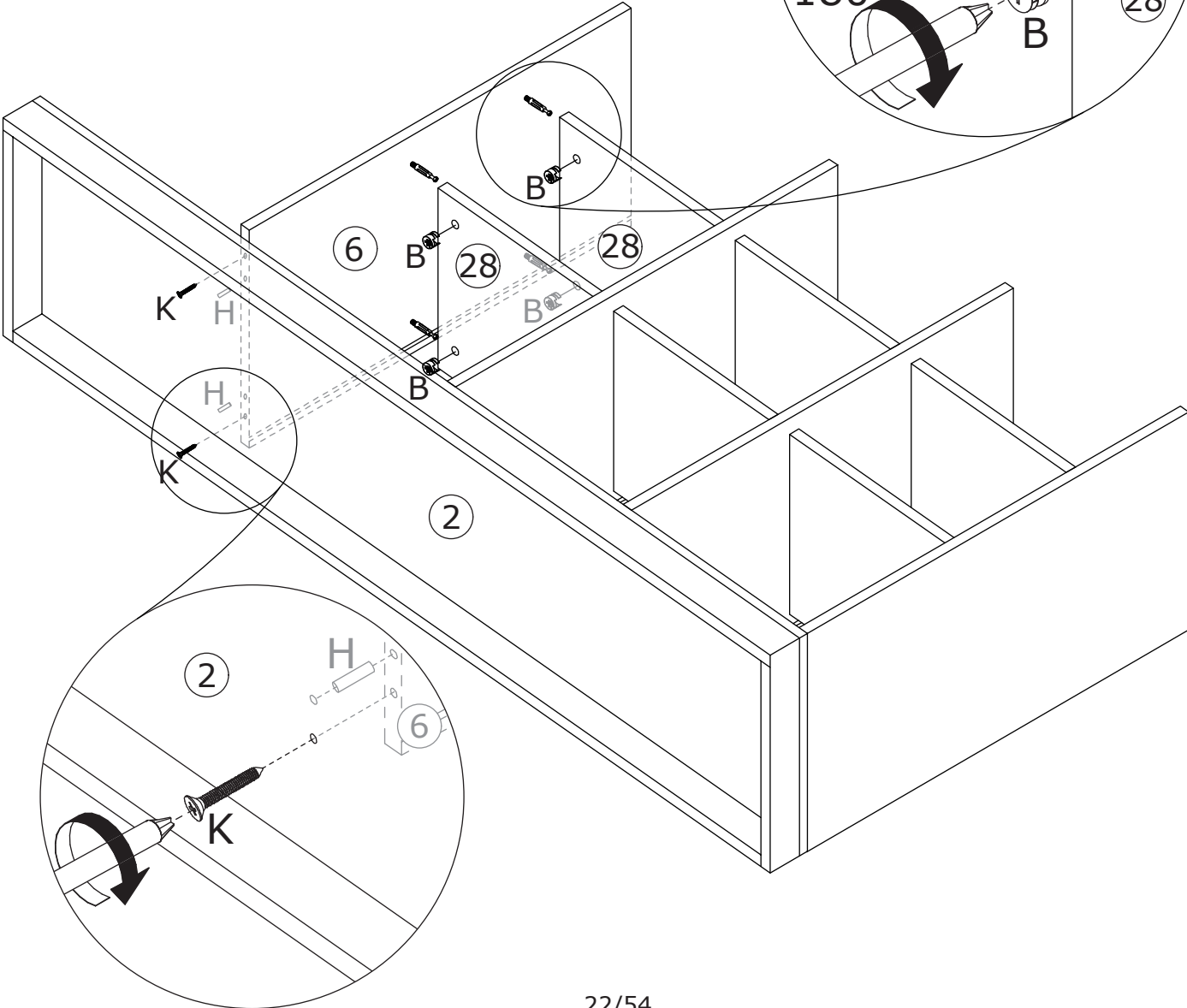
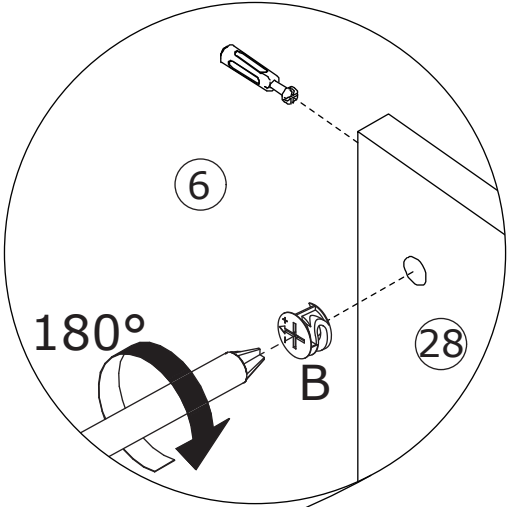
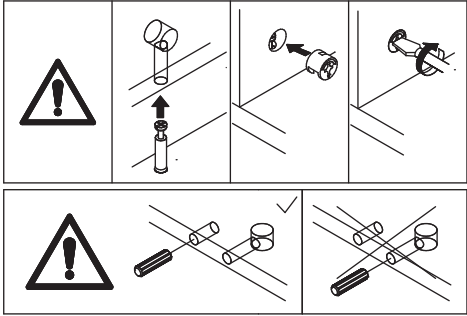


16



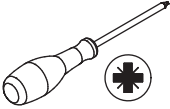
Firstly, insert the wood dowels (H) to plate 6, connect the plate 28 and plate 6 together, tighten and secure them with the cam locks (B) as shown.

Connect plate 6 and plate 2 together, secure with the screws (K) as shown.

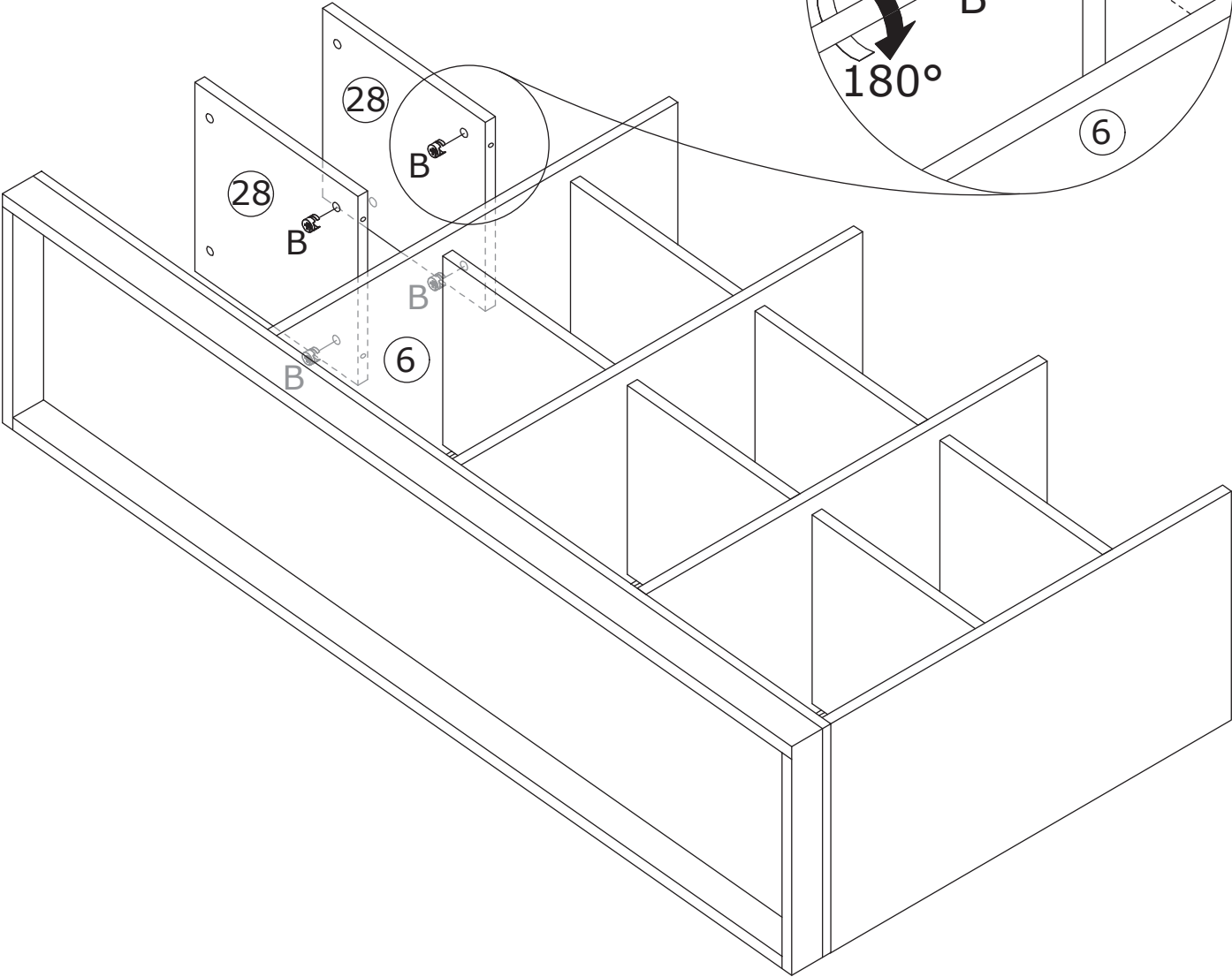
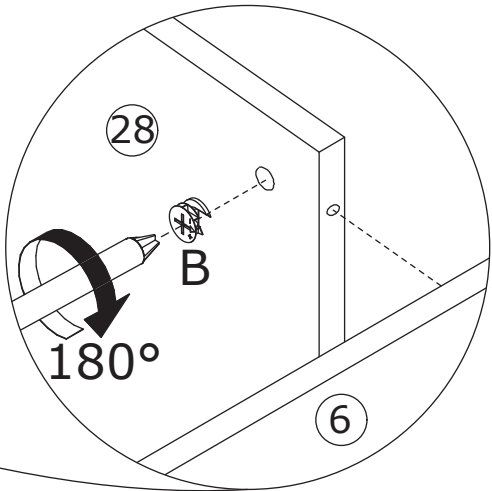
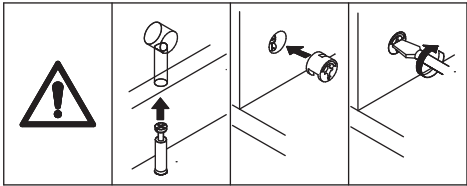


17

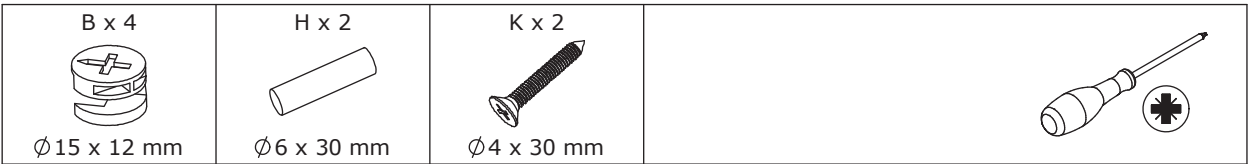
B x 4
Ø15 x 12 mm



Connect plate 6 and plate 28, tighten and secure them with the cam locks (B) as shown.

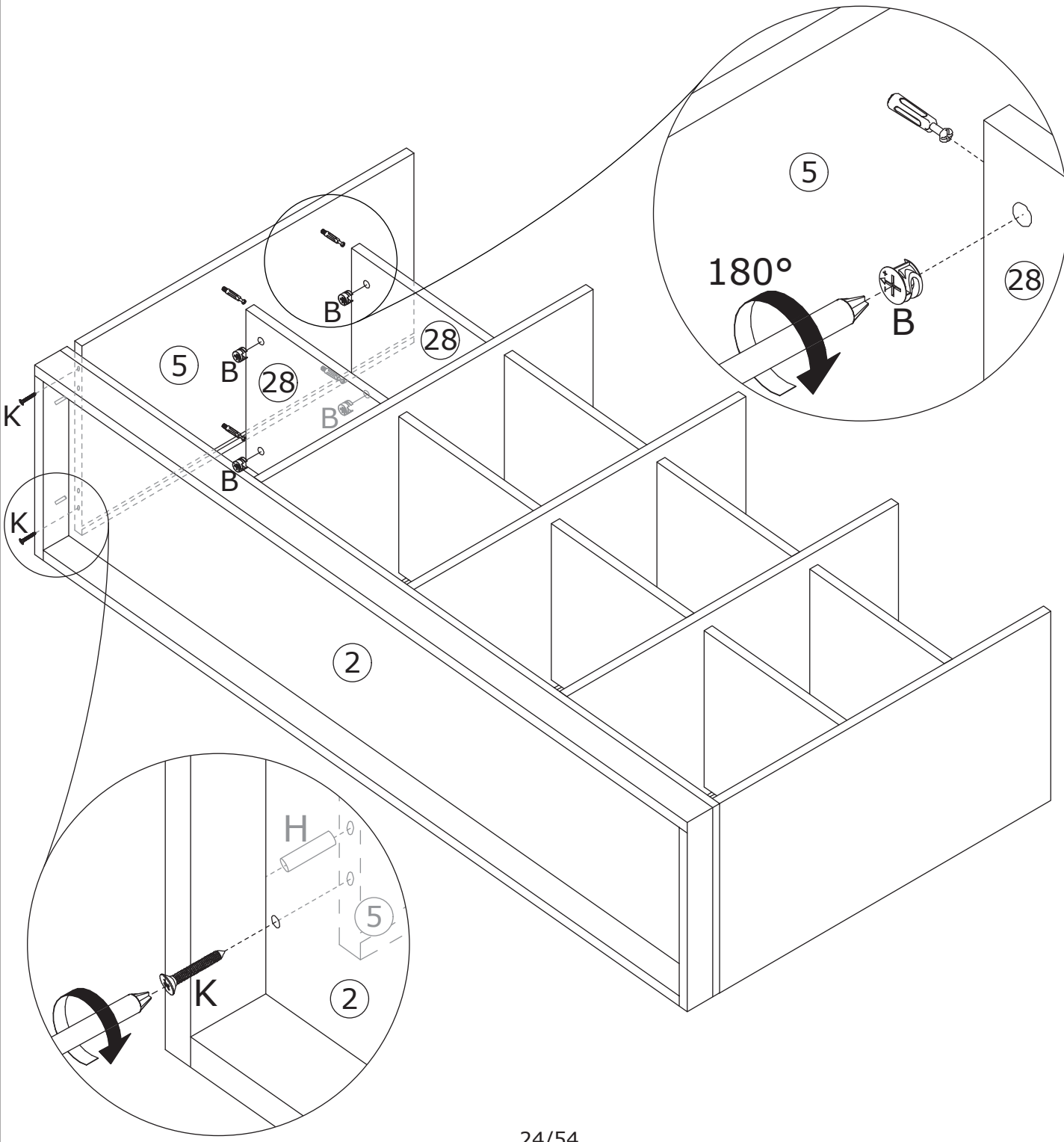
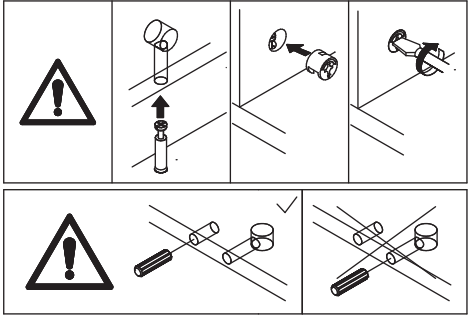


18



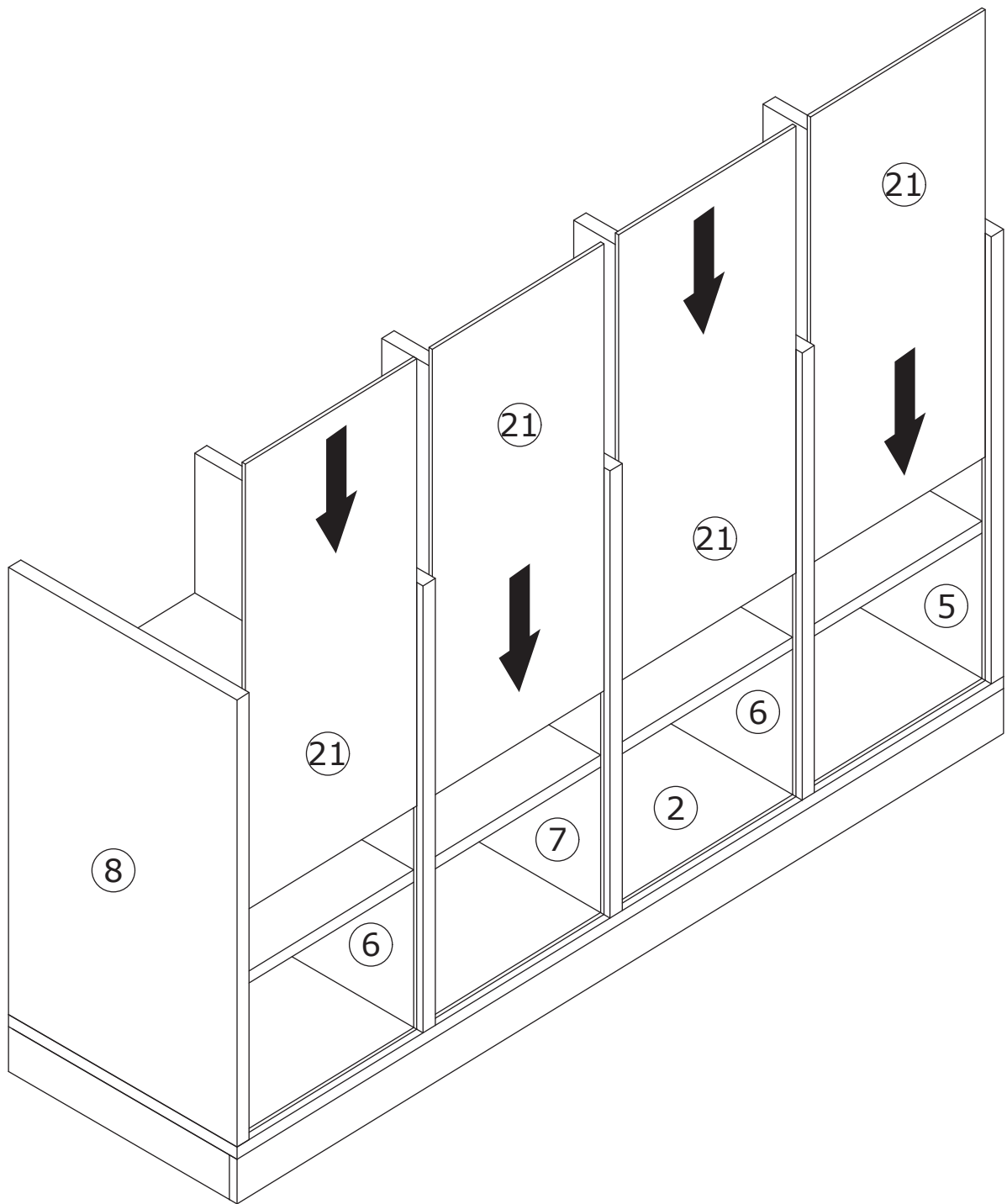
Firstly, insert the wood dowels (H) to plate 5, connect the plate 28 and plate 5 together, tighten and secure them with the cam locks (B) as shown.

Connect plate 5 and plate 2 together, secure with the screws (K) as shown.

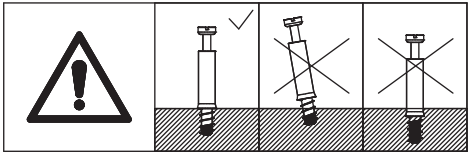
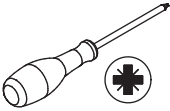
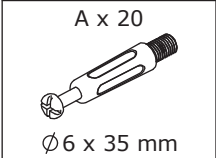


19

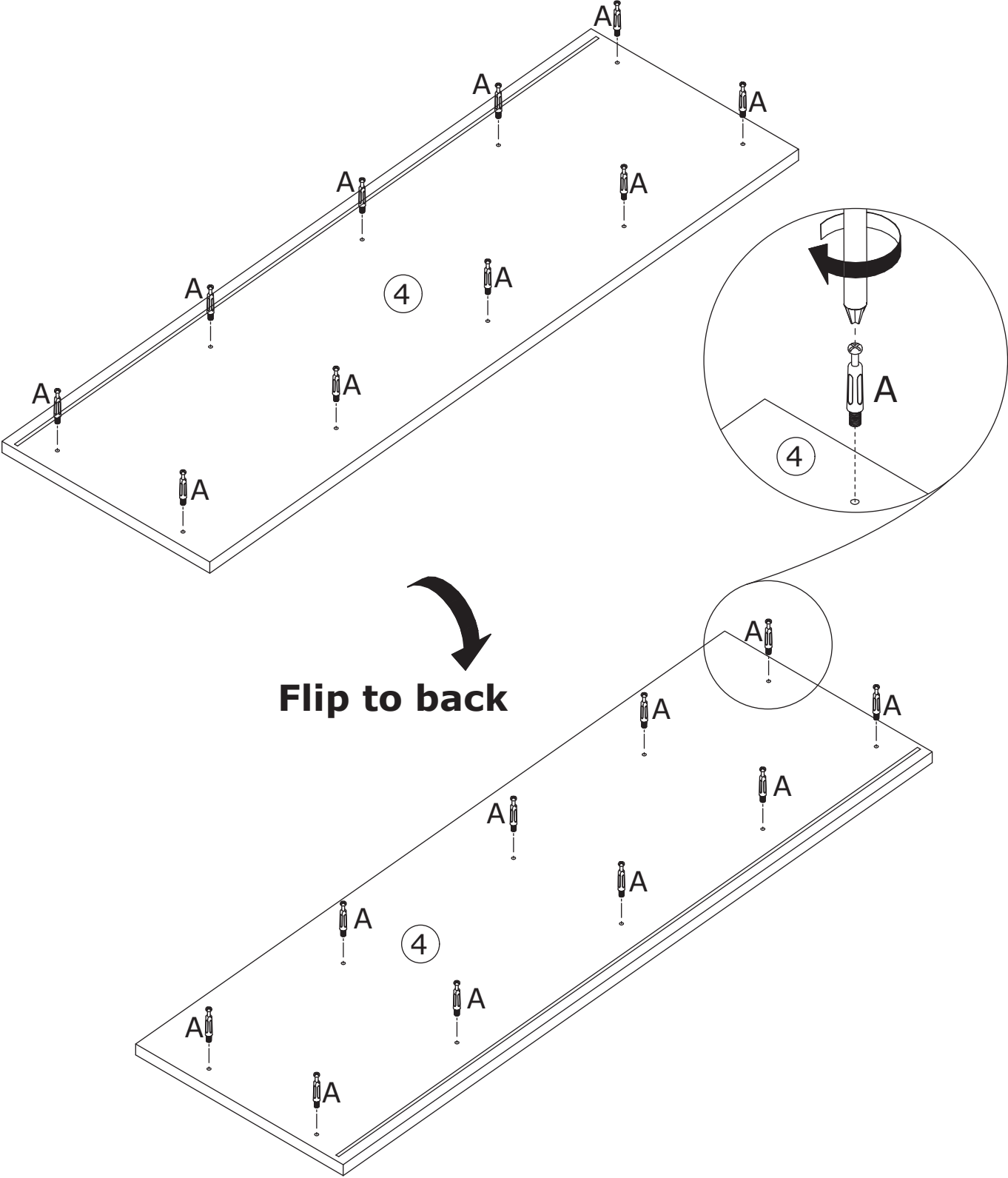
Insert the back plate 21 into the slots as shown.



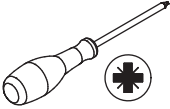
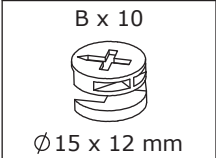
20



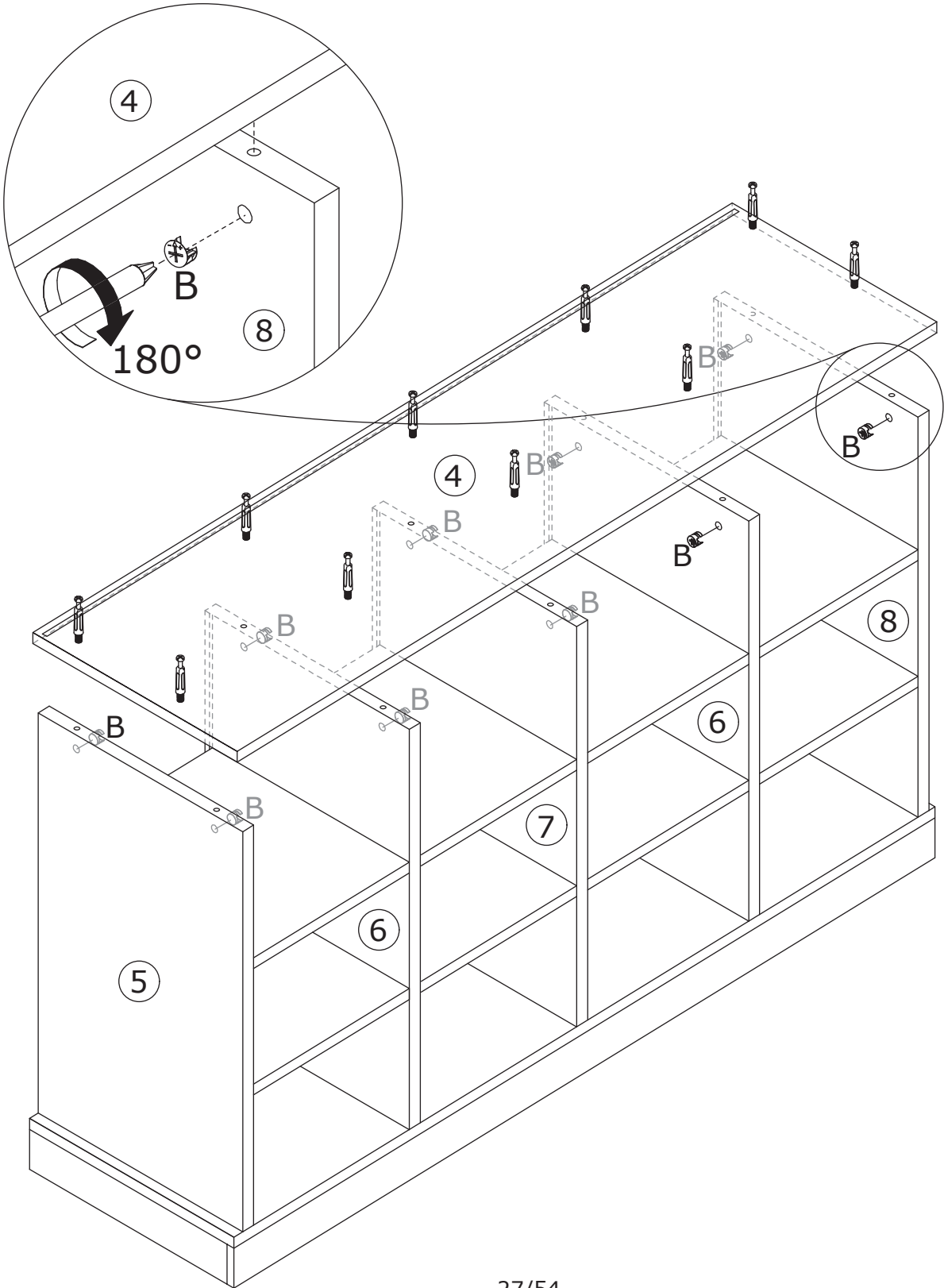
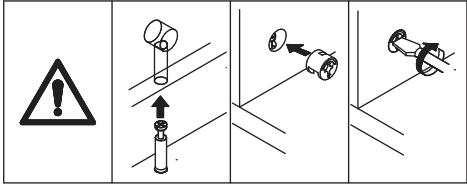
Secure screws (A) to plate 4 as shown.



21

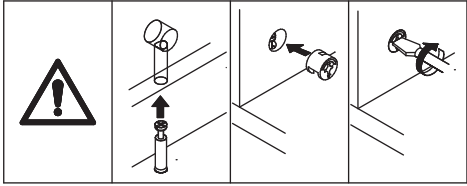
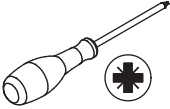


Attach the top plate 4 to the assembled component first, tighten and secure them with the cam locks (B) as shown.

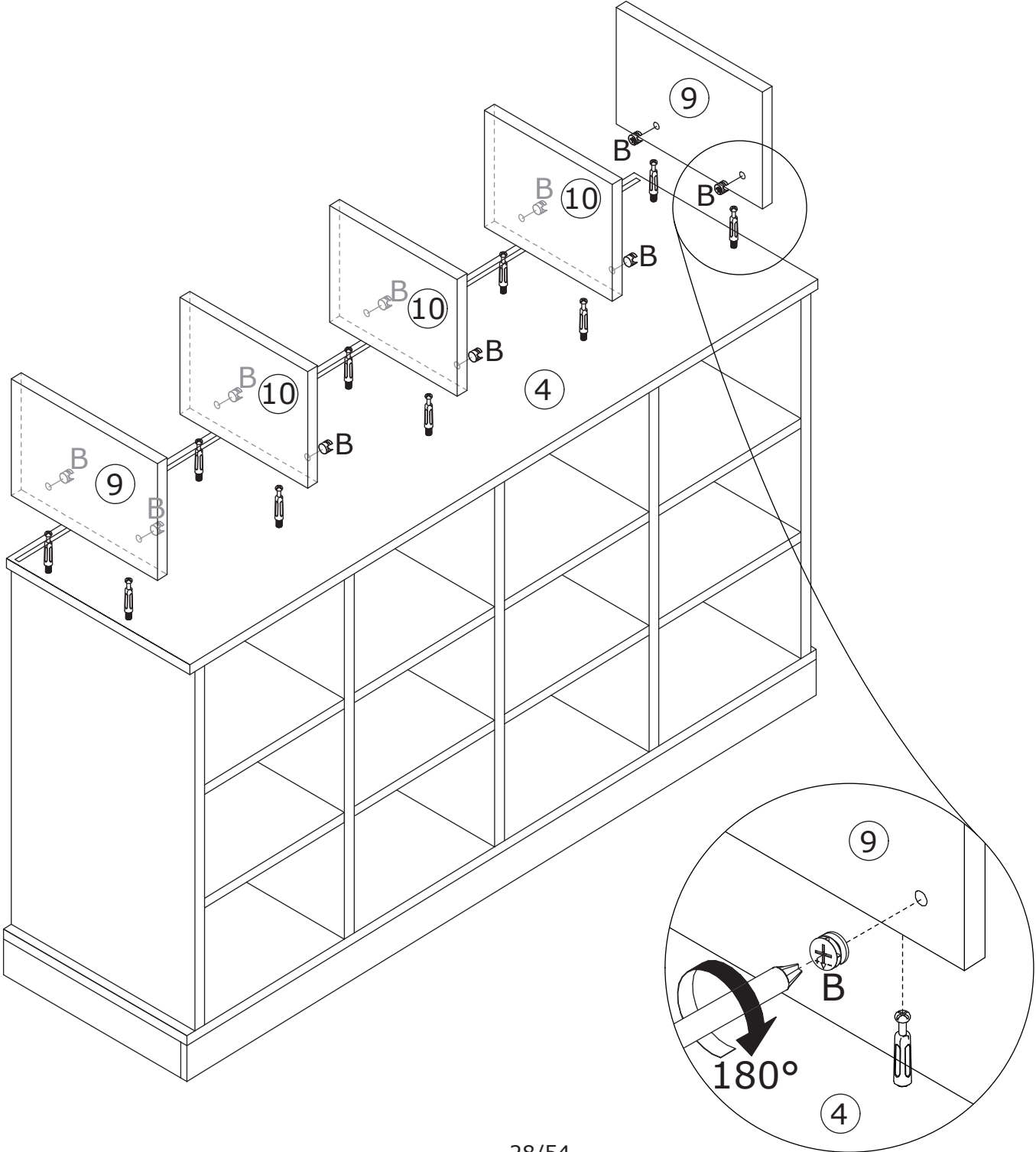


22

B x 10
Ø 15 x 12 mm

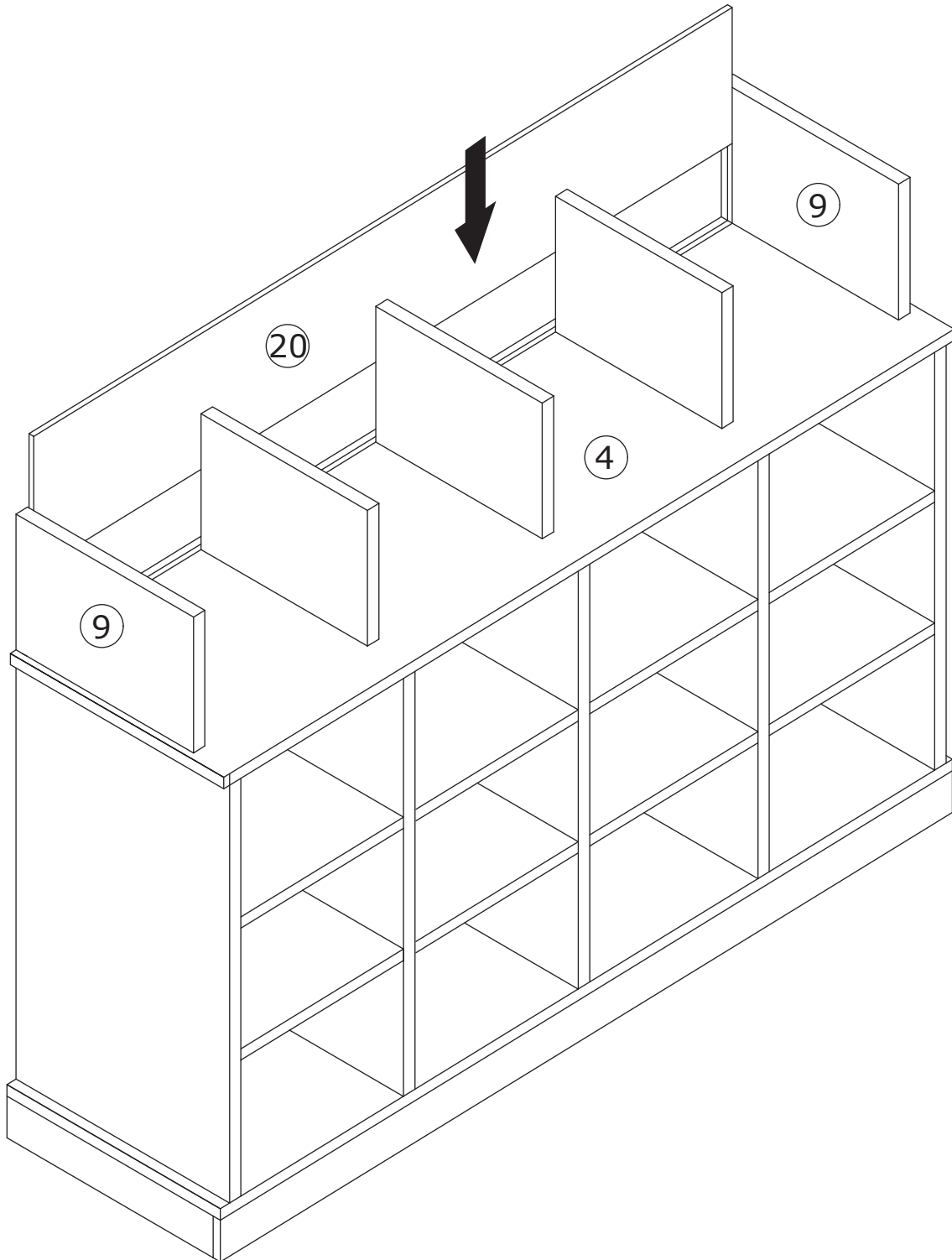


Attach plate 9 and 10 to plate 4 first, tighten and secure them with the cam locks (B) as shown.

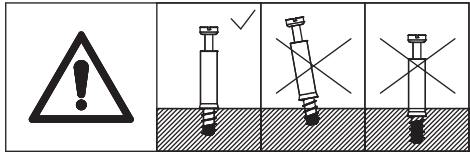
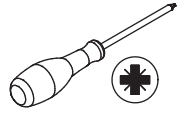
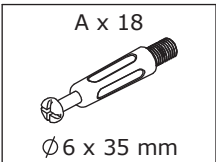


23

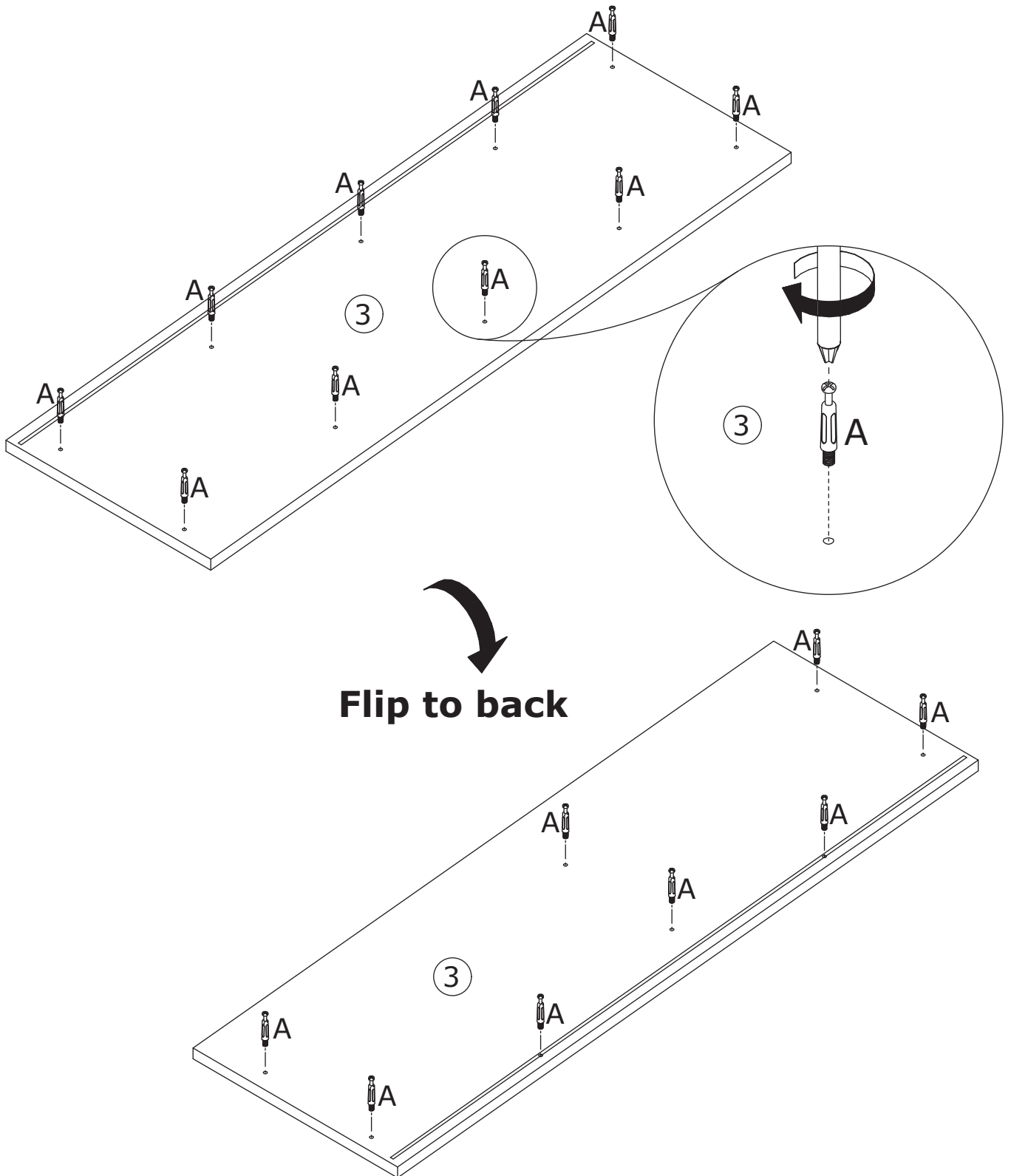
Insert the back plate 20 into the slots as shown



24

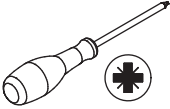


Secure screws (A) to plate 3 as shown.

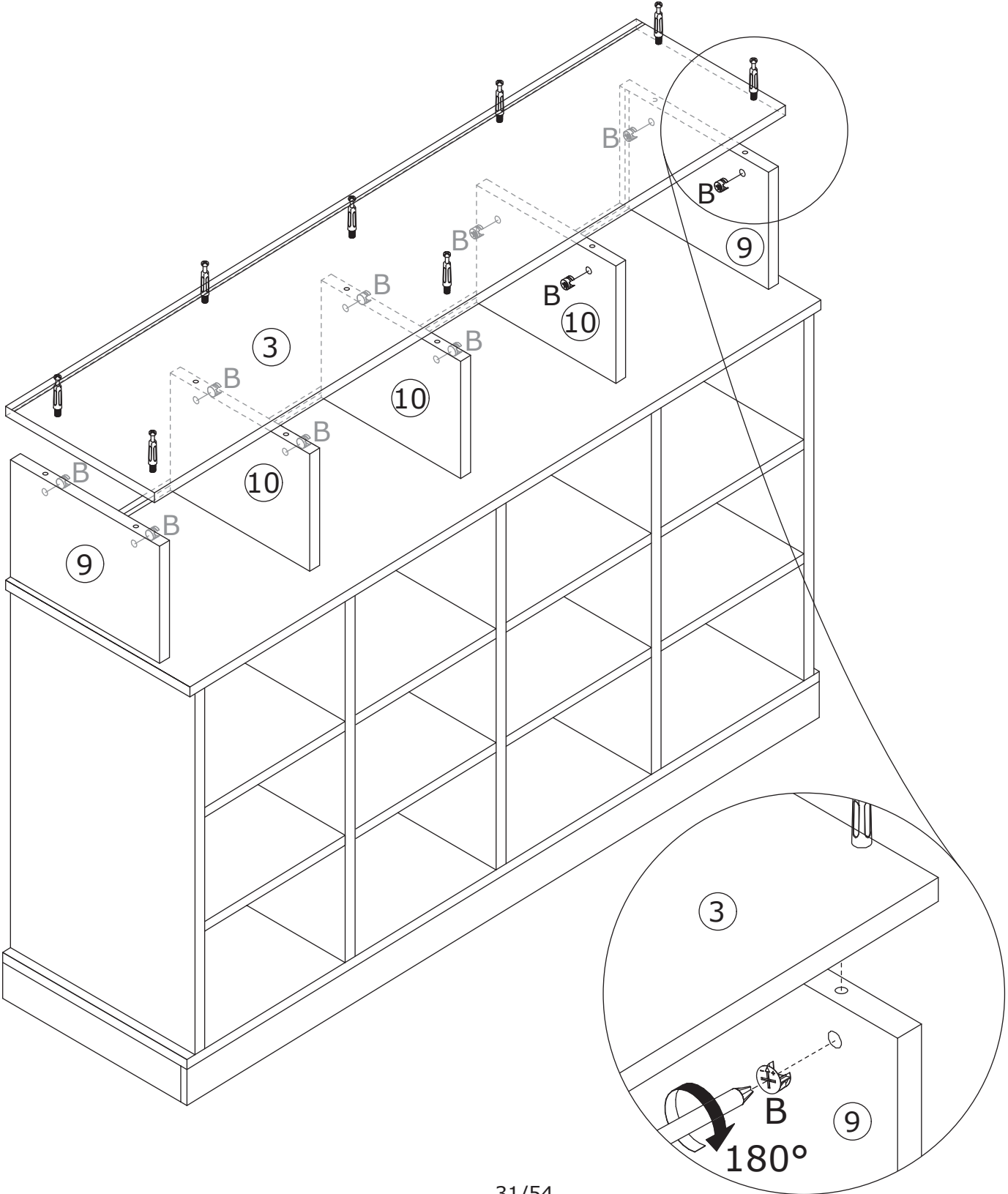
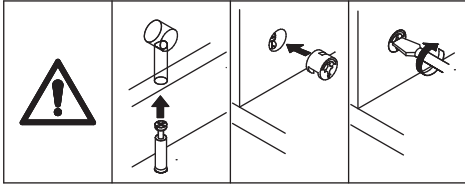


25

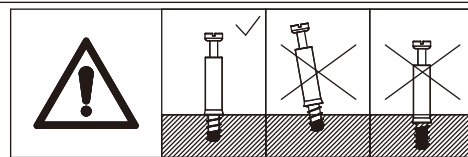
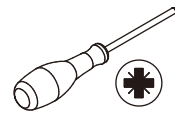
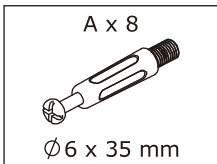
B x 10
Ø 15 x 12 mm



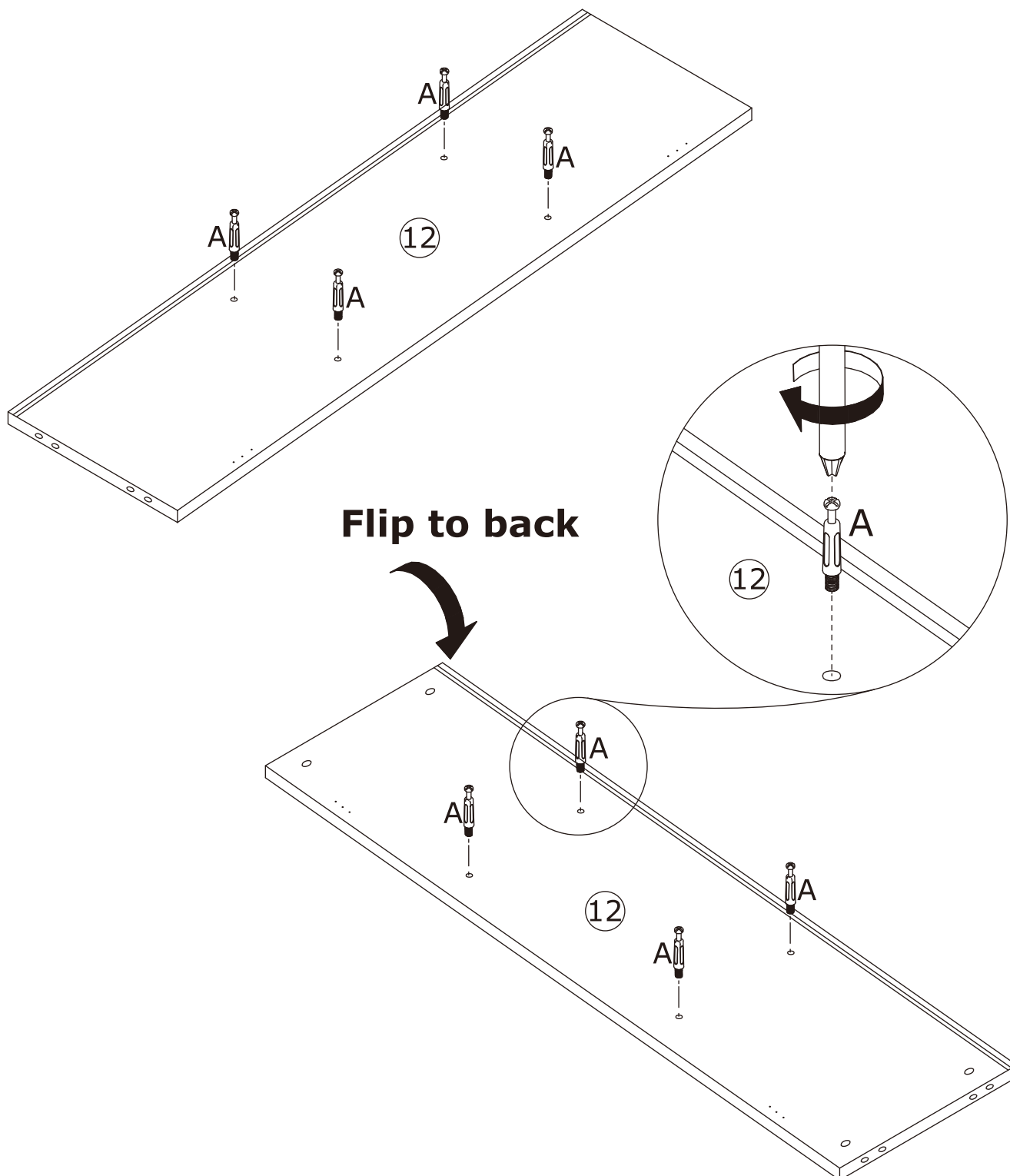
Attach plate 3 to the assembled component first, tighten and secure them with the cam locks (B) as shown.



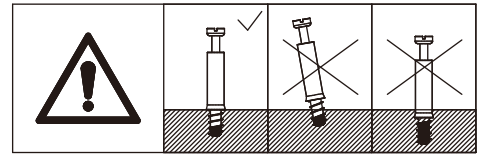
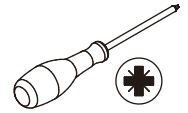
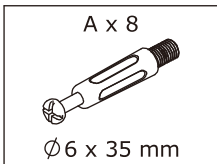
26



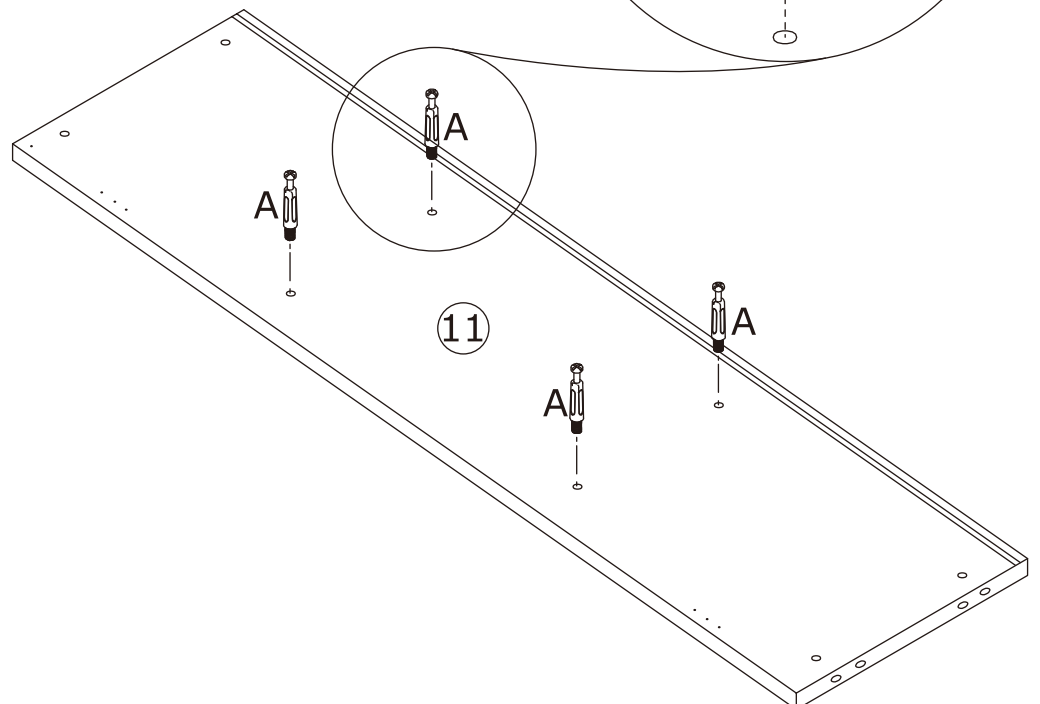
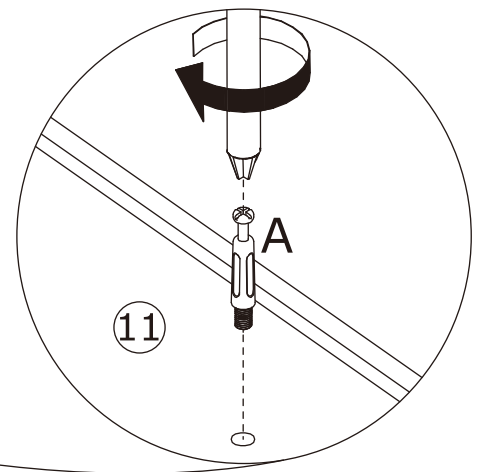
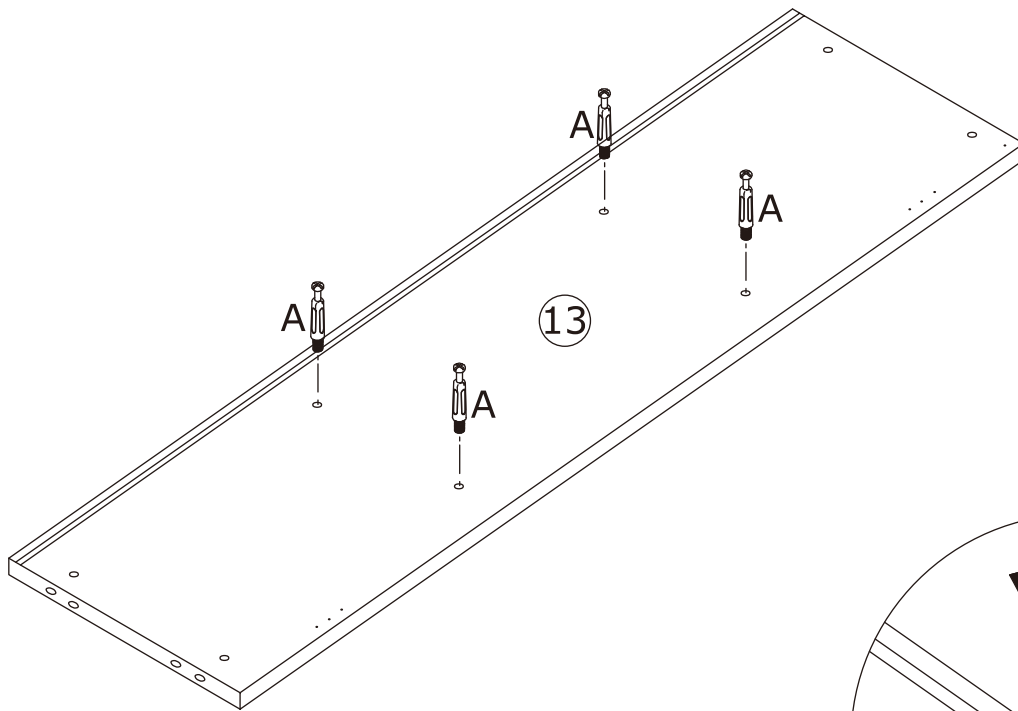
Secure screws (A) to plate 12 as shown.



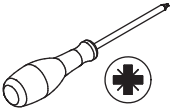
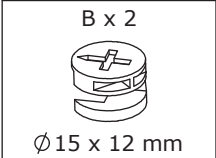
27



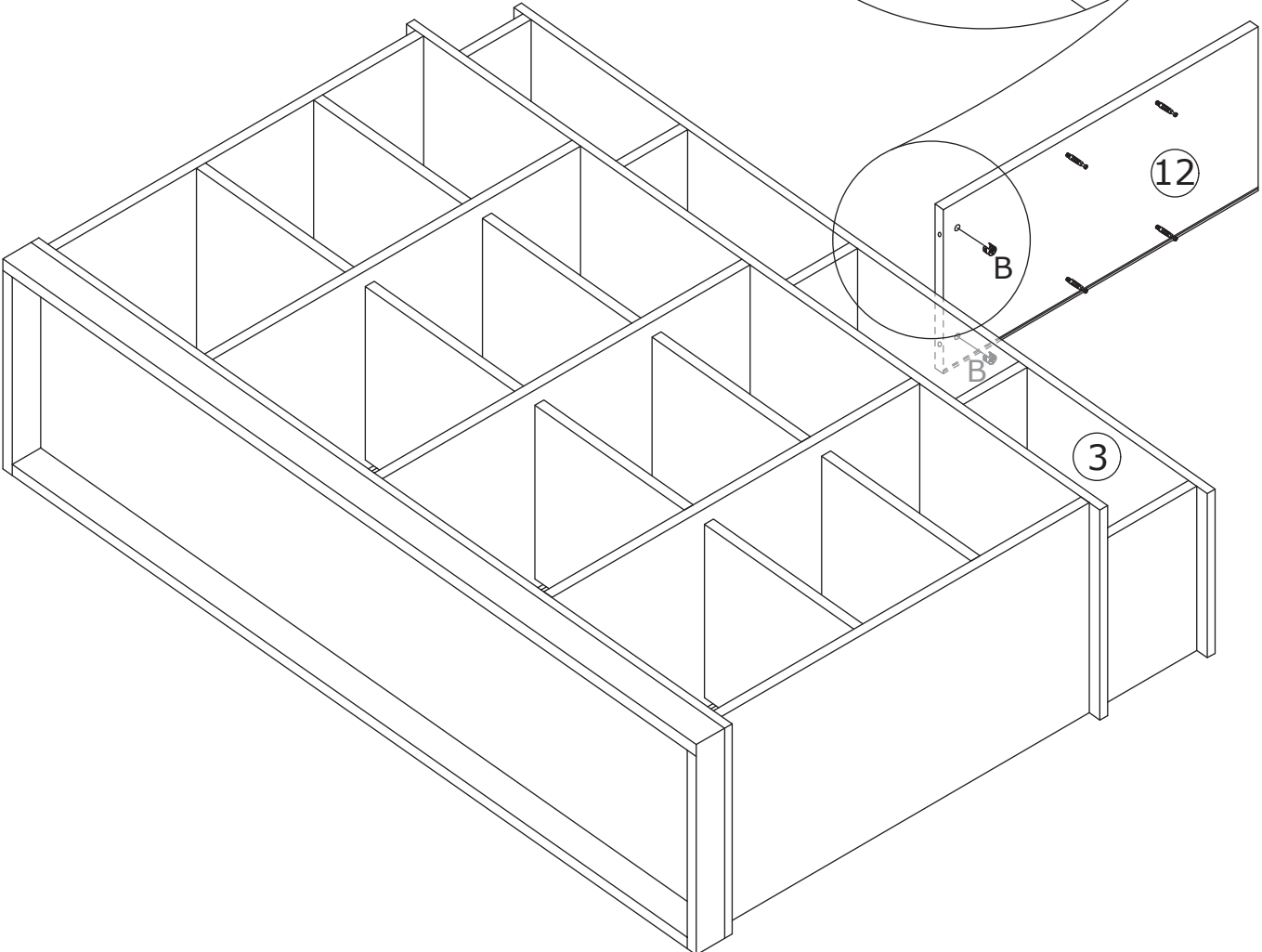
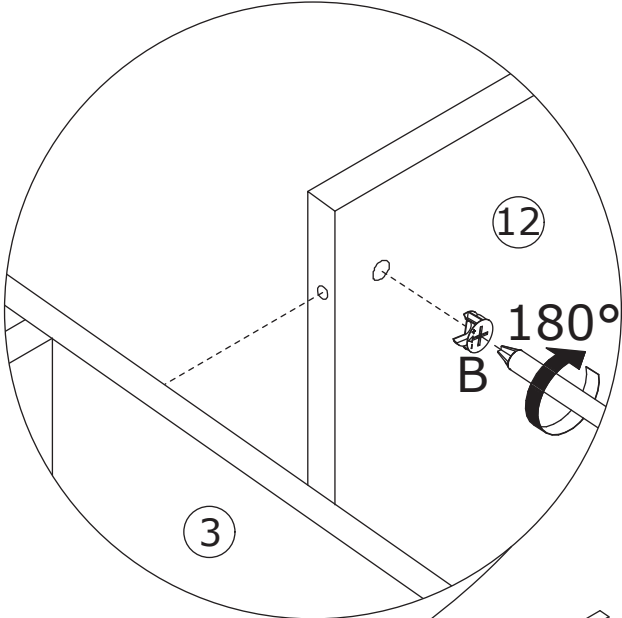
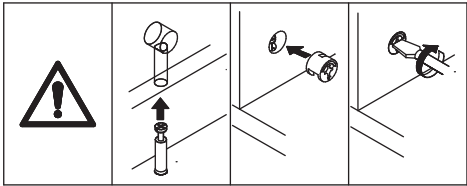
Secure screws (A) to plate 11 and 13 as shown.



28

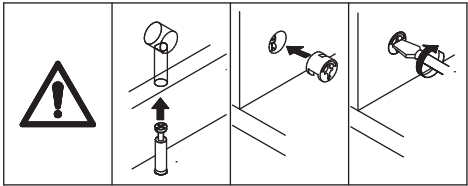
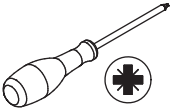


Attach plate 12 to plate 3 first, tighten and secure them with the cam locks (B) as shown.

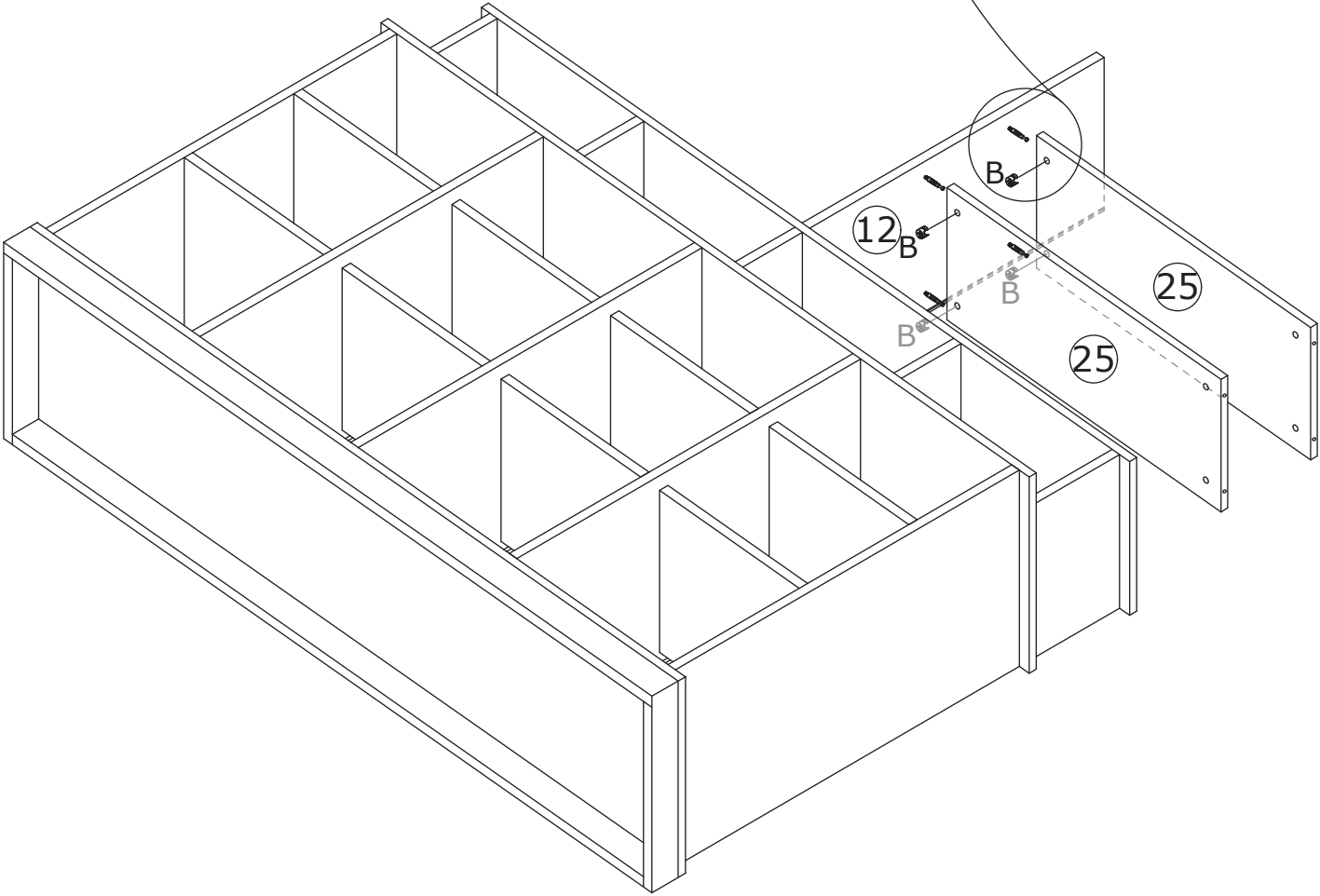
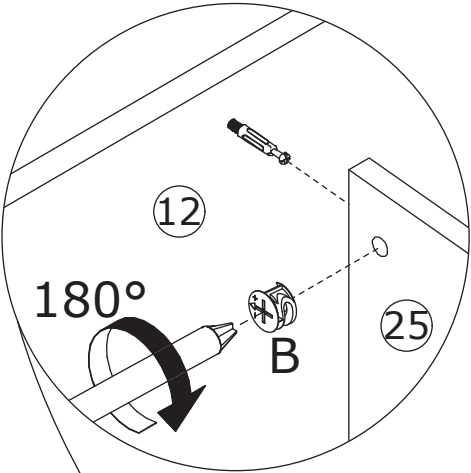


29

B x 4
Ø 15 x 12 mm

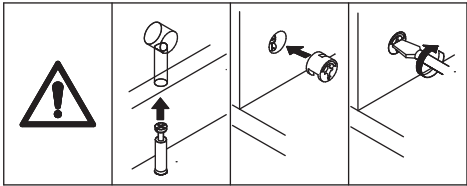
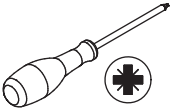


Connect plate 12 and plate 25 together first, tighten and secure them with the cam locks (B) as shown.

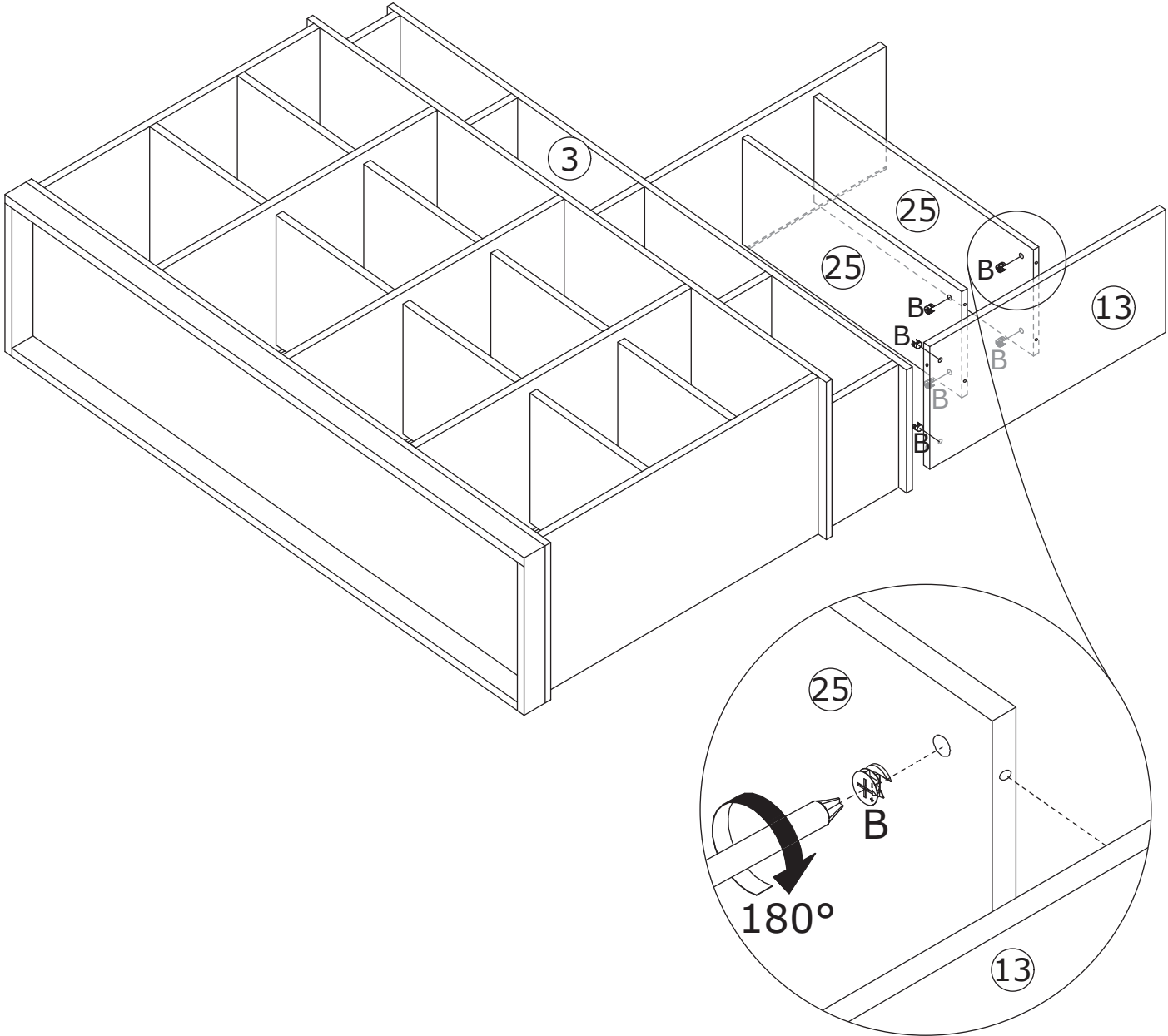


30

B x 6
Ø15 x 12 mm

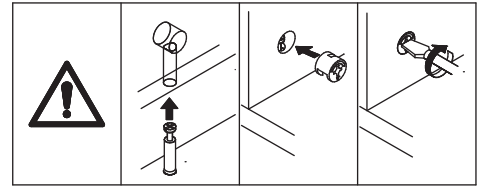
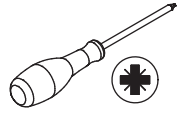


Connect plate 13 to plate 25 and 3 together first, tighten and secure them with the cam locks (B) as shown.

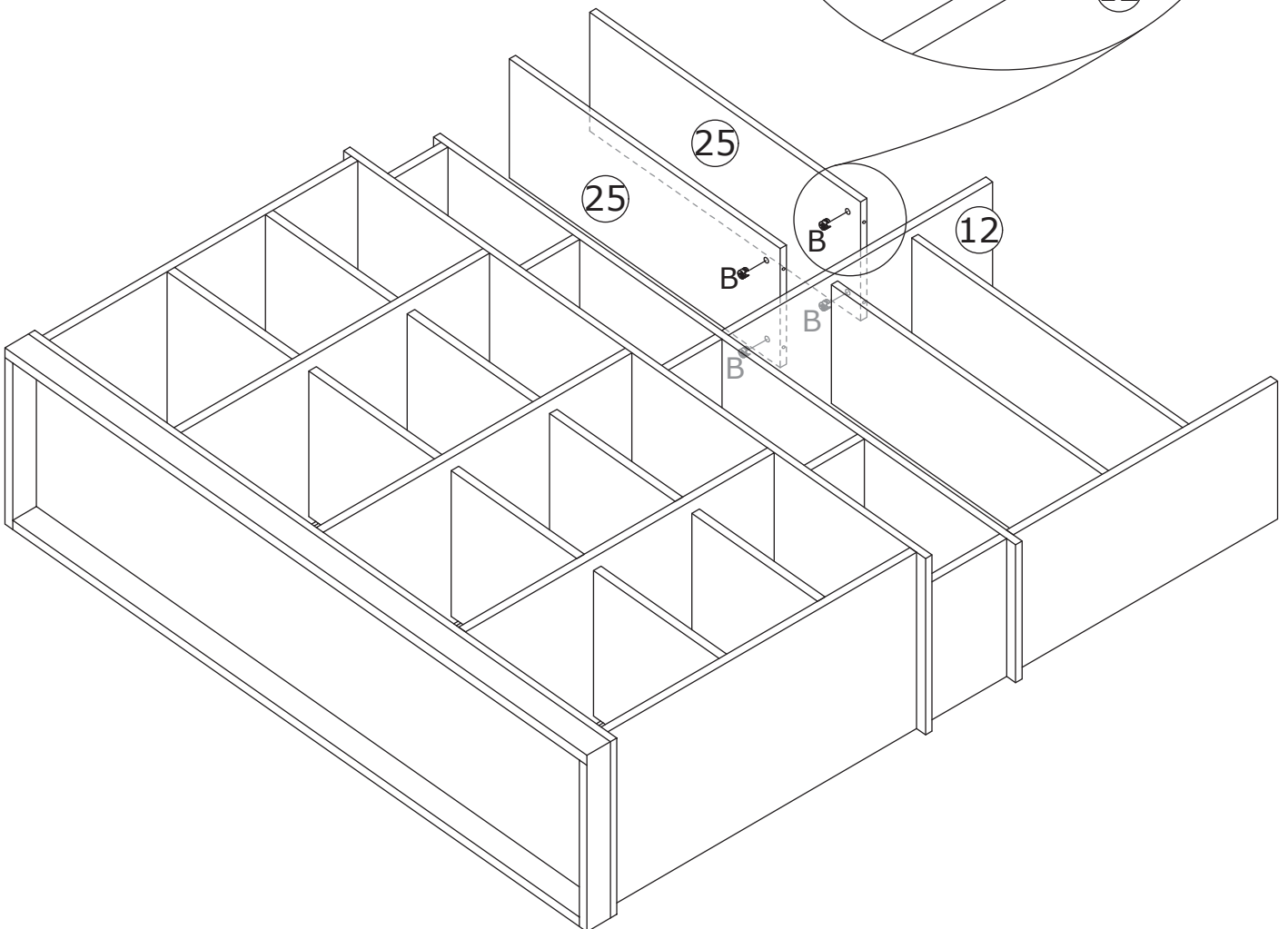
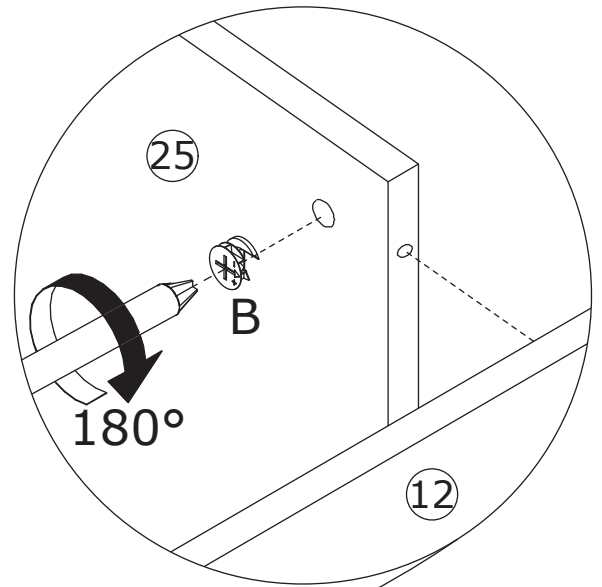


31

B x 4
Ø15 x 12 mm

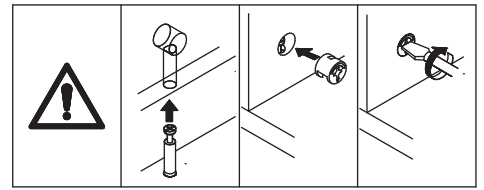
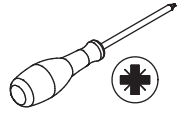


Attach plate 25 and plate 12 together first, tighten and secure them with the cam locks (B) as shown.

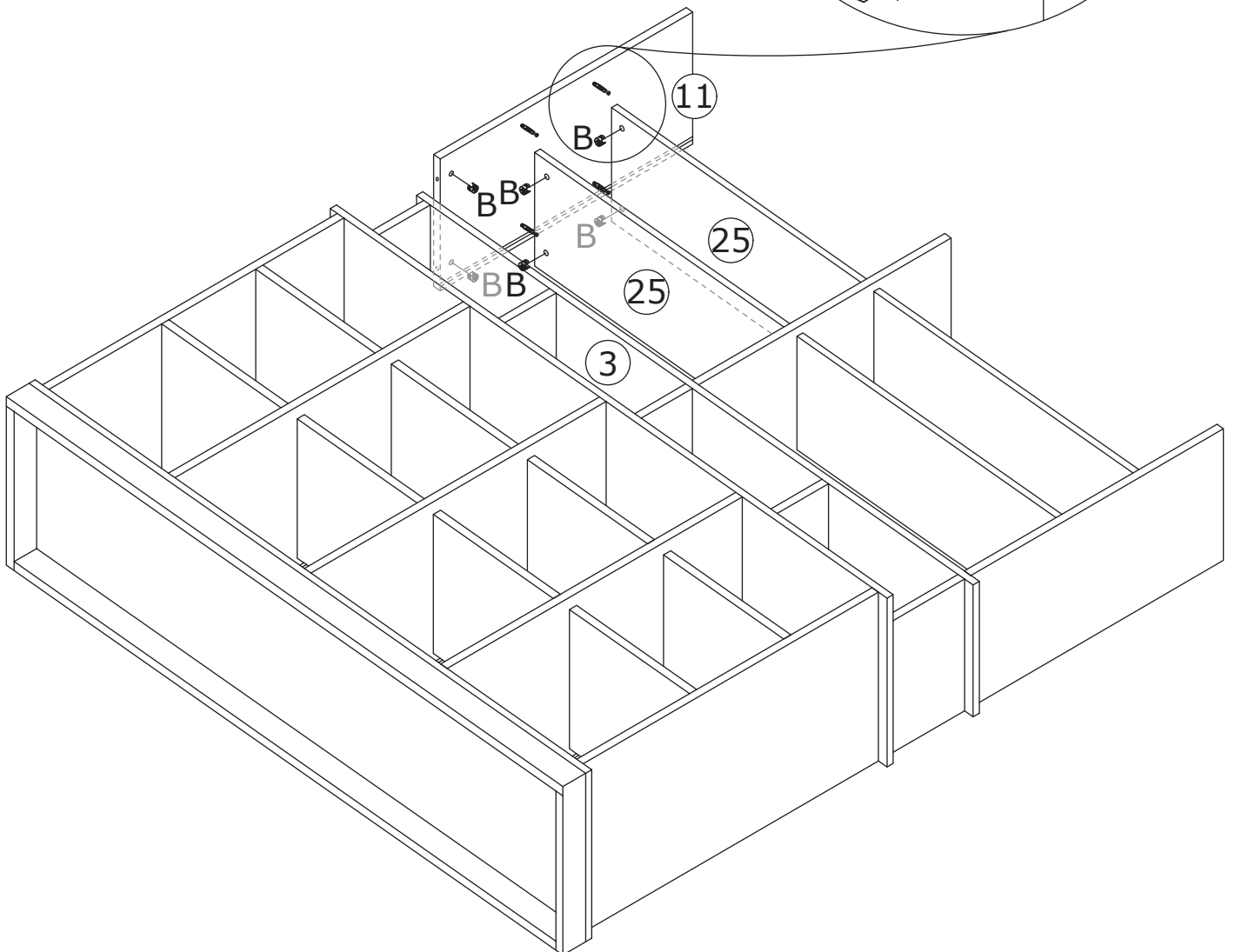
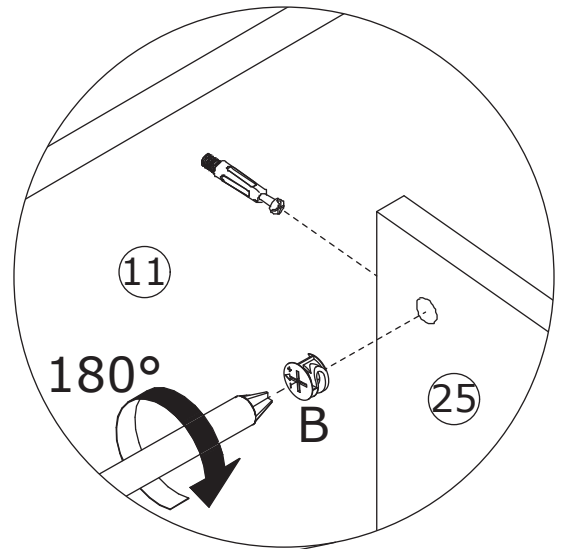


32

B x 6
Ø15 x 12 mm

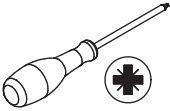


Connect plate 11 to plate 25 and 3 together, tighten and secure them with the cam locks (B) as shown.

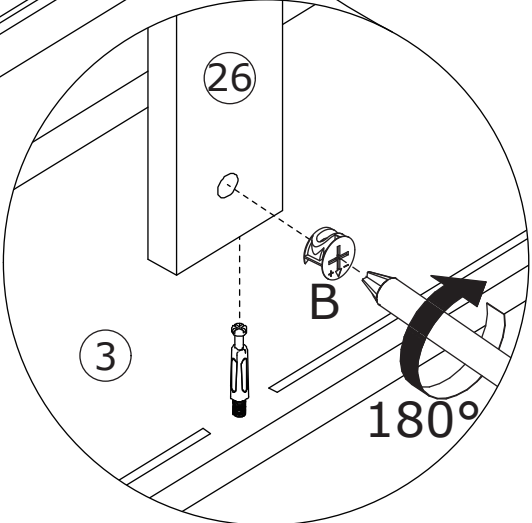
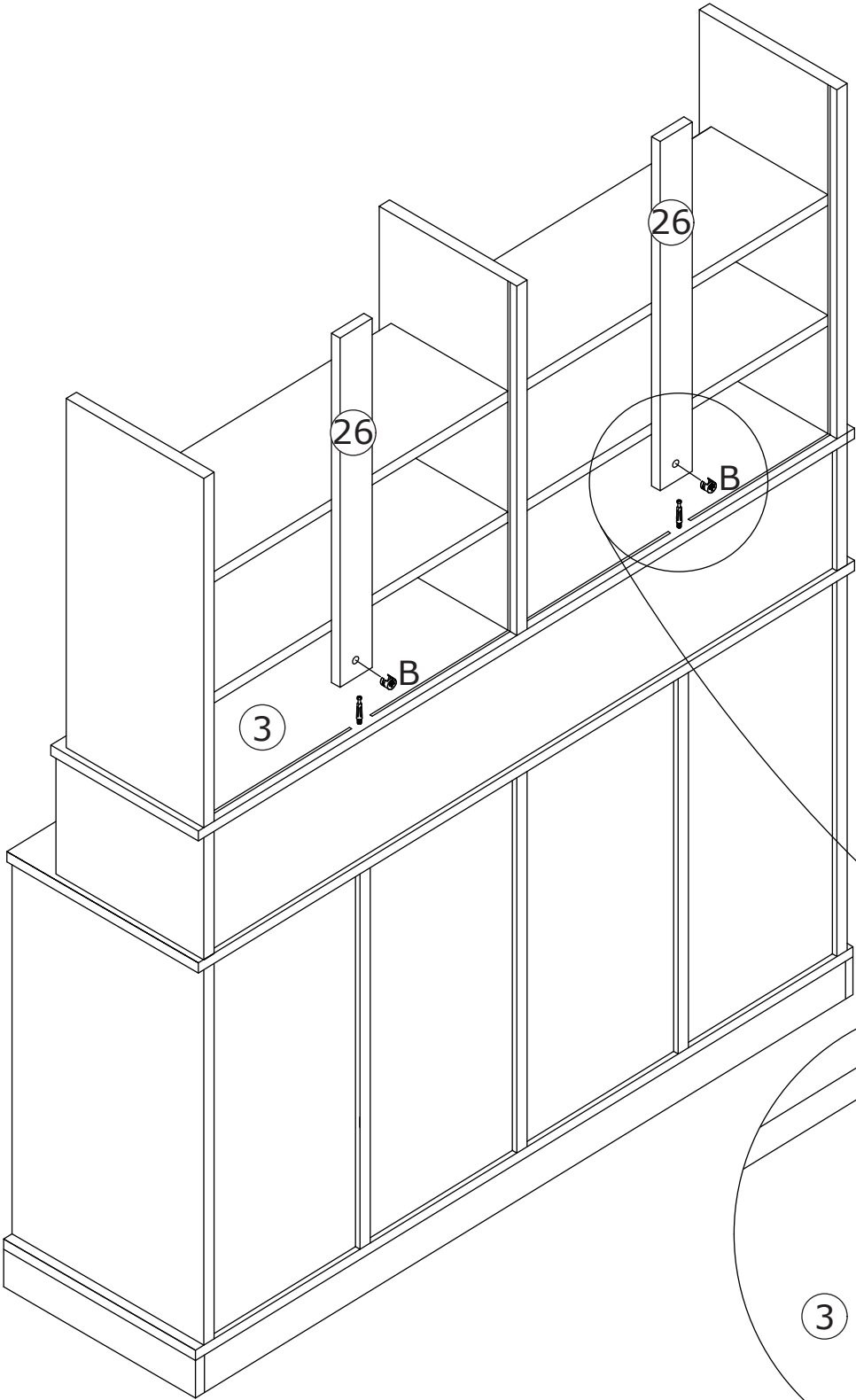
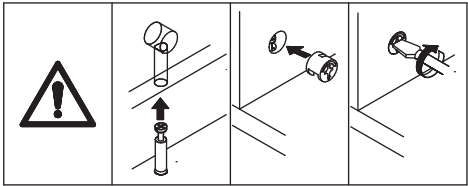


33

B x 2
Ø 15 x 12 mm

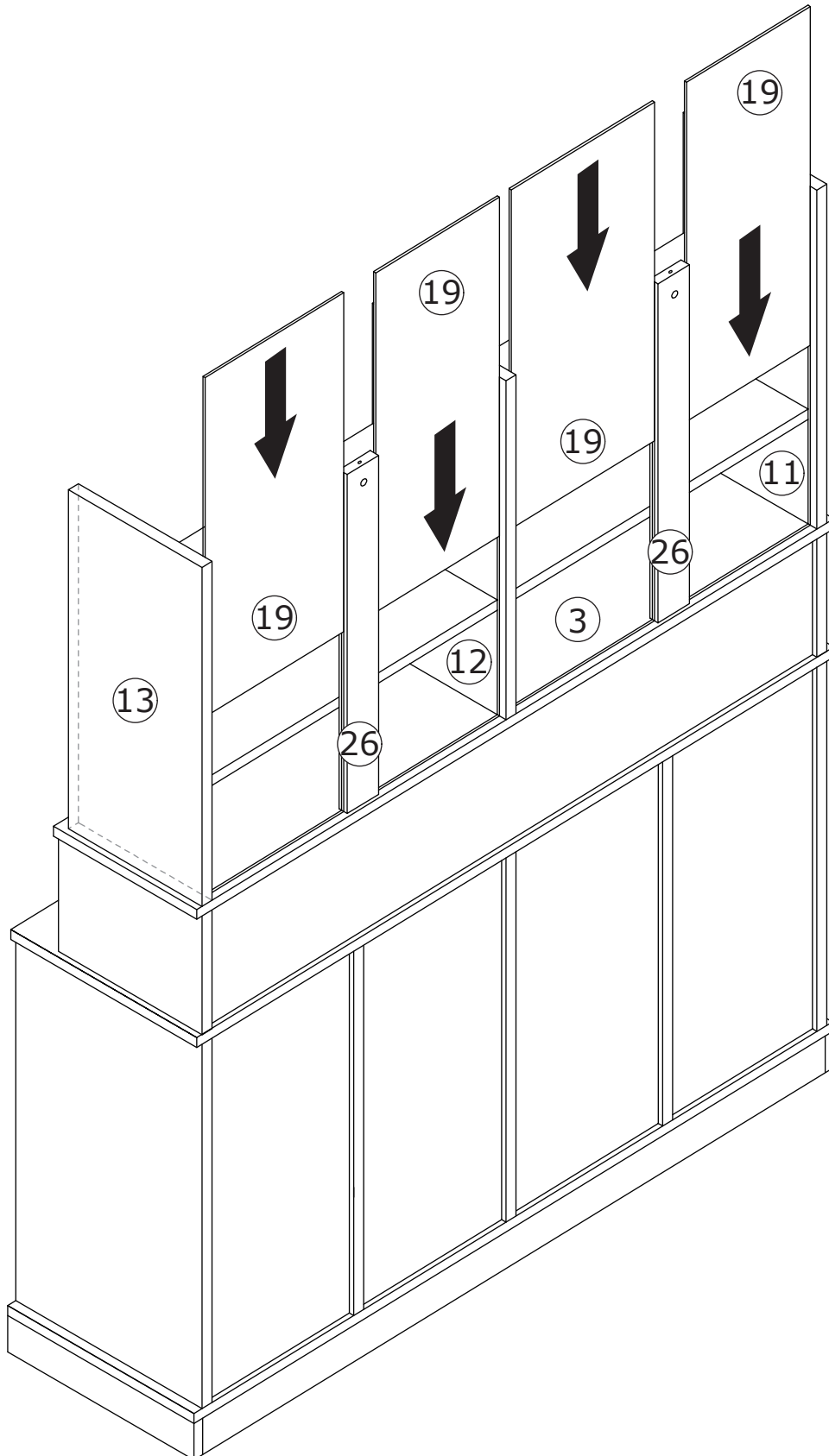


Attach plate 26 to plate 3 together, tighten and secure them with the cam locks (B) as shown.

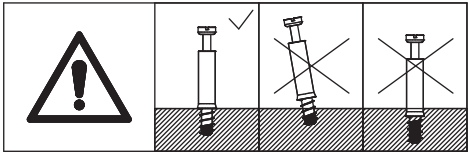
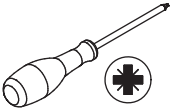
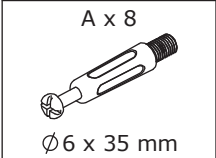


34

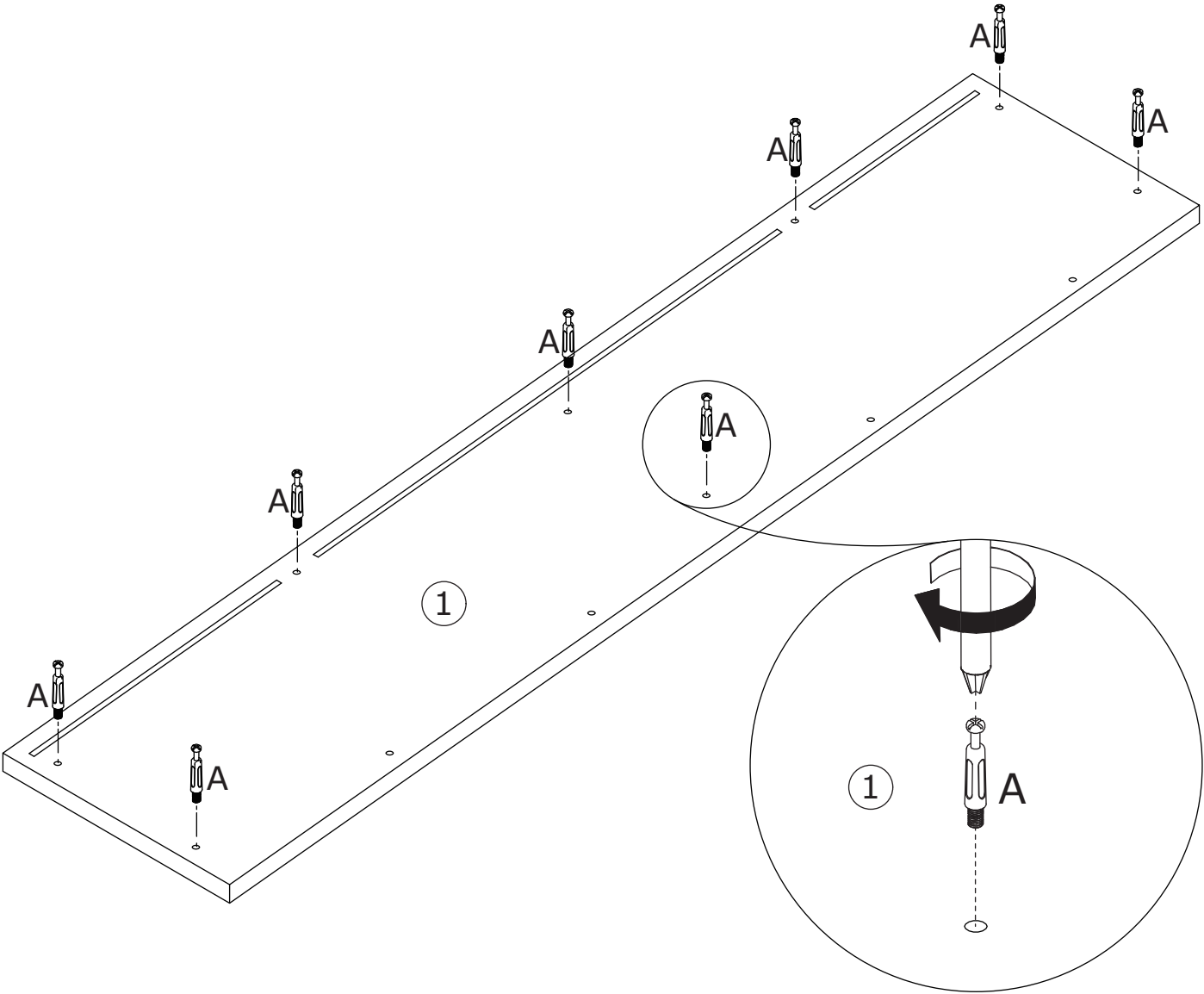
Insert the back plate 19 into the slots as shown.



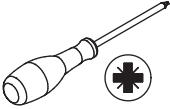
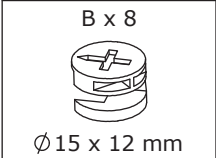
35



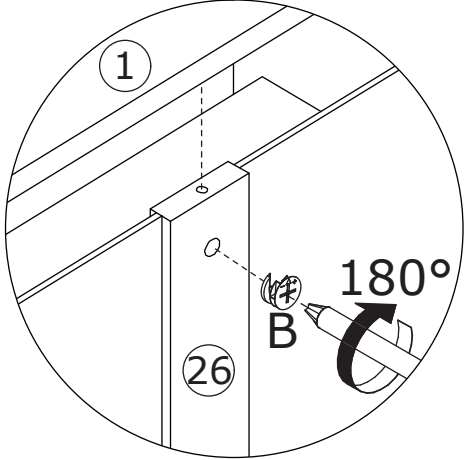
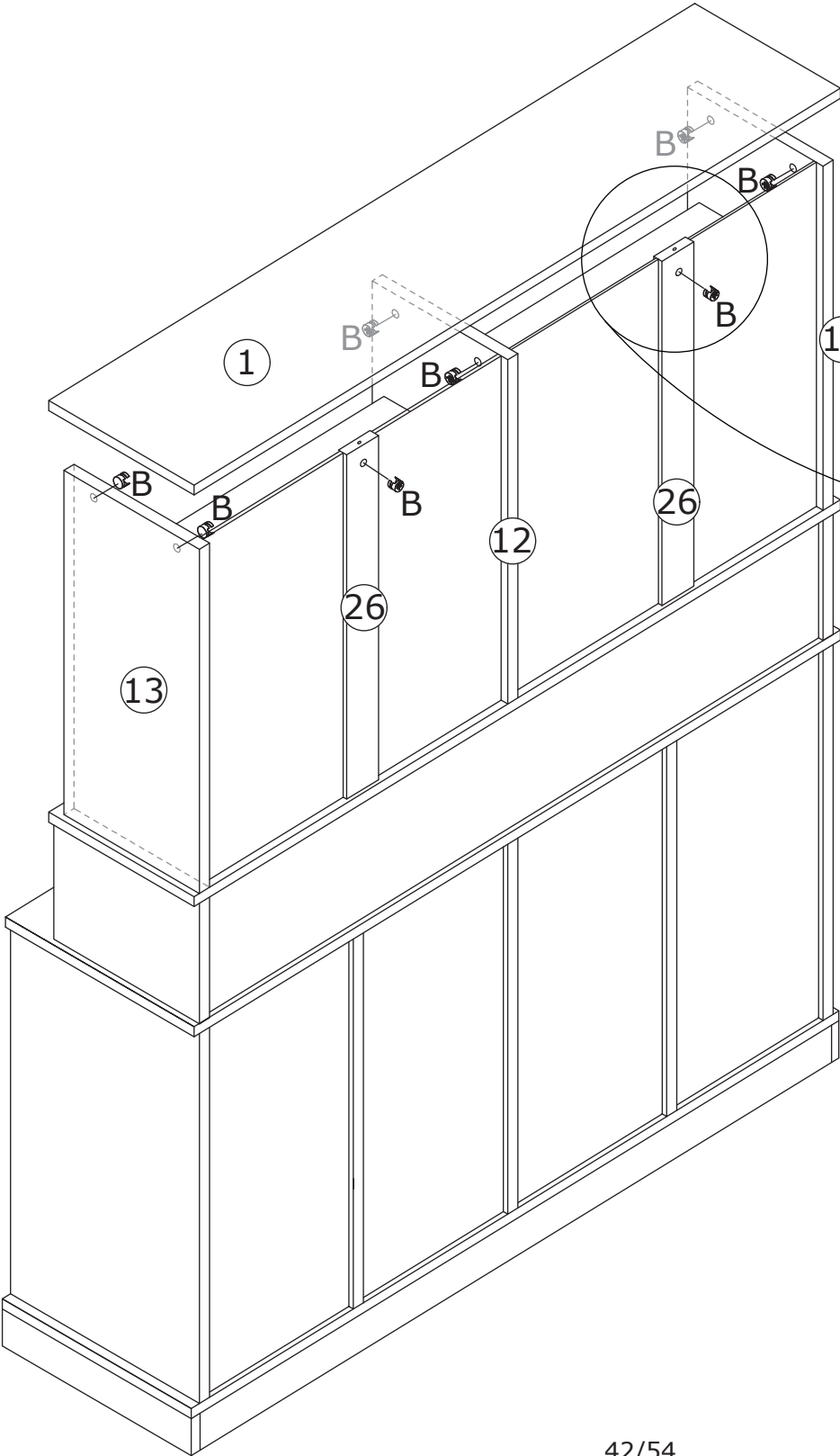
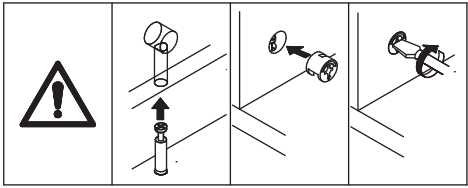
Secure screws (A) to plate 1 as shown.



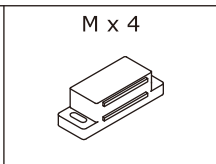
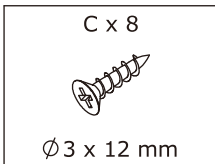
36



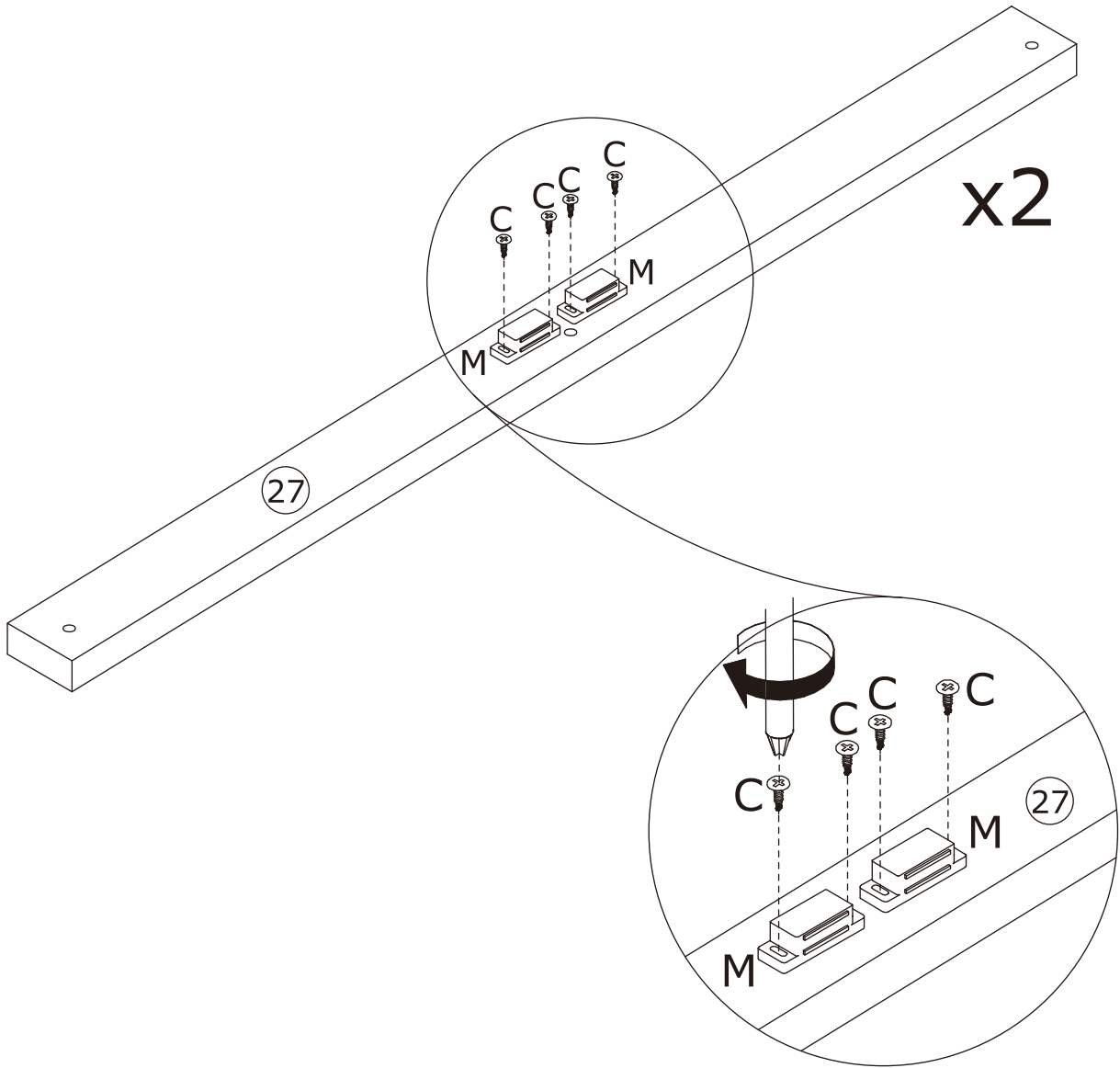
Attach the top plate 1 to the assembled furniture first, tighten and secure them with the cam locks (B) as shown.



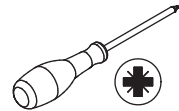
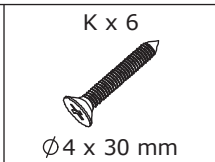
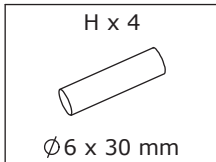
37



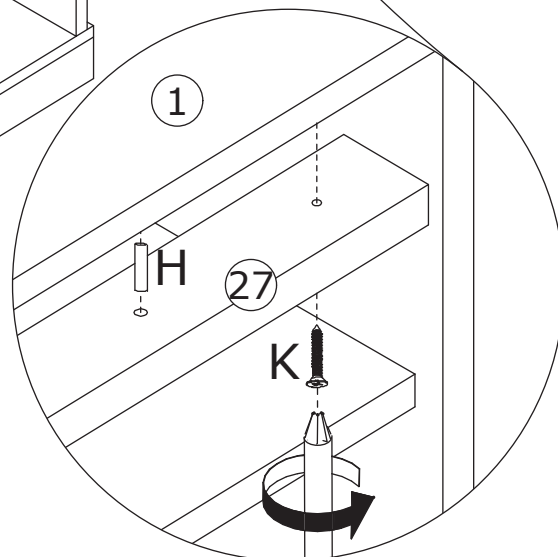
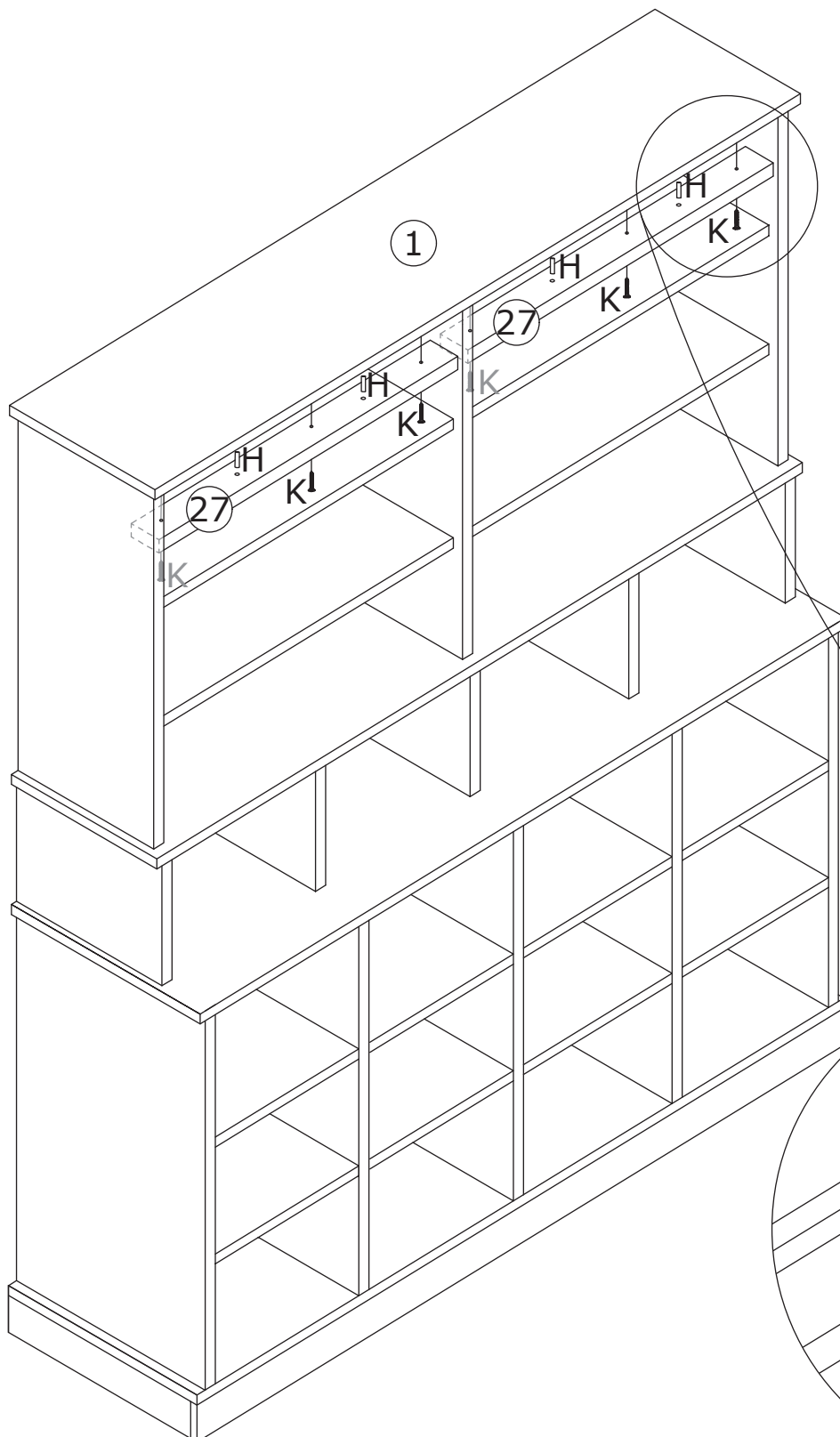
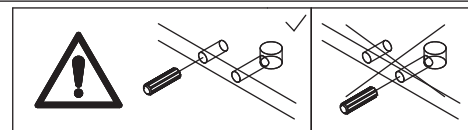
Use screws (C) to secure hardware (M) to plate 27 as shown.



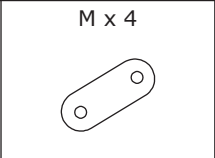
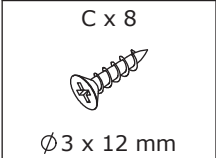
38



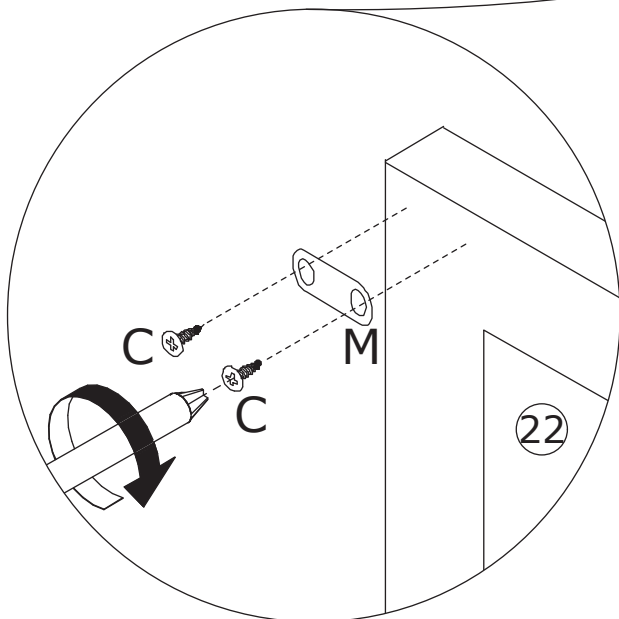
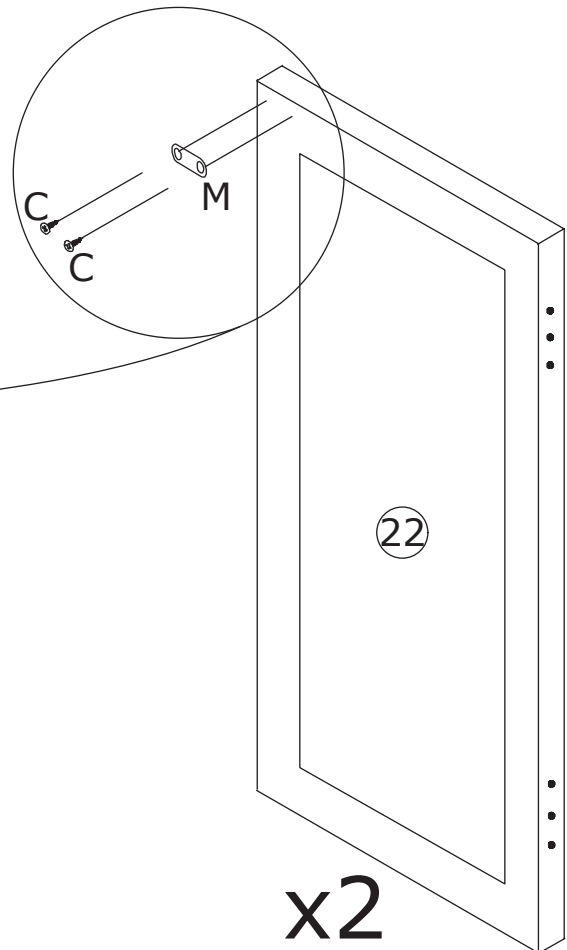
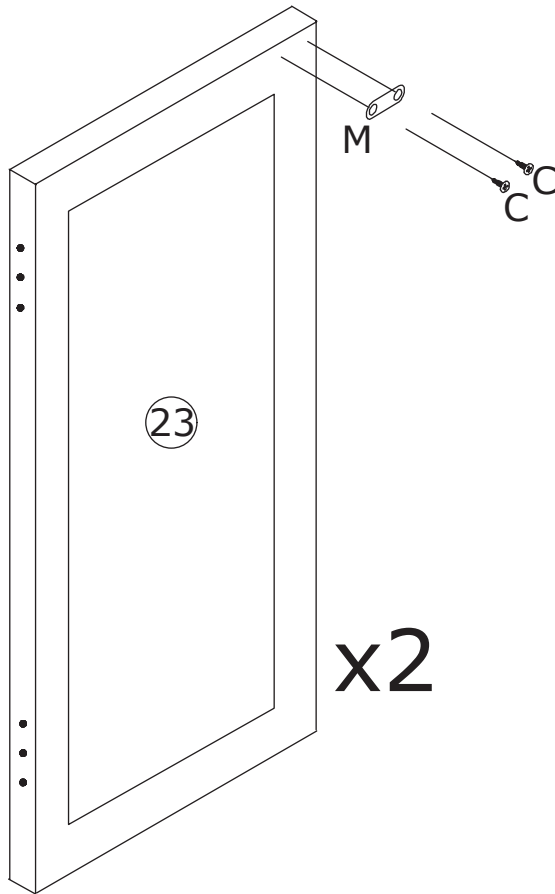
Insert the dowels (H) to plate 27 first, and then connect plate 27 to plate 1 and secure the screws (K) as shown.



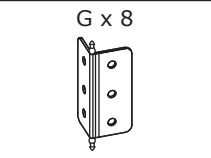
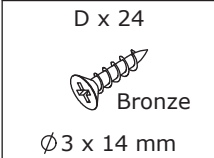
39



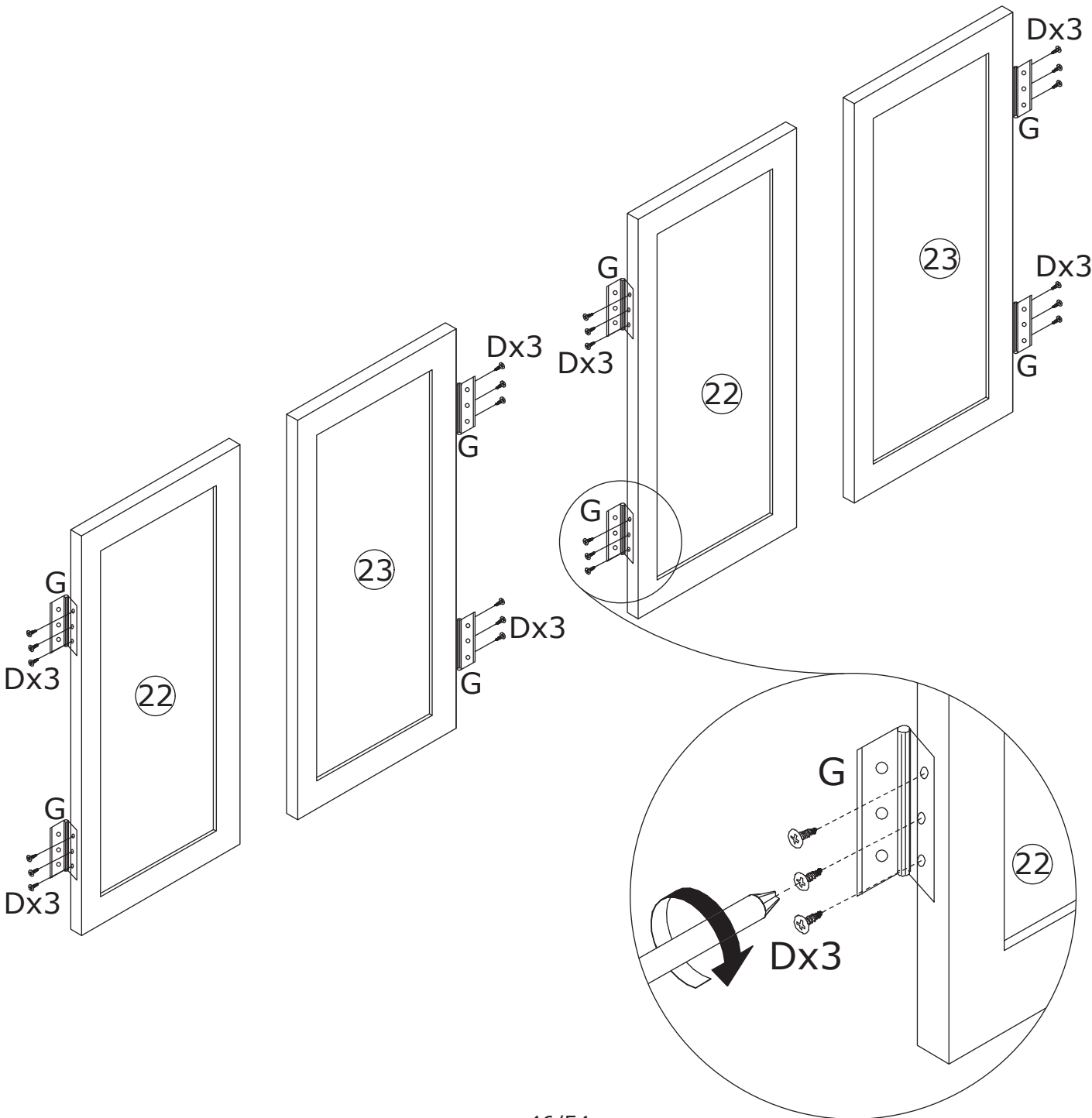
Secure hardware (M) to door plate 22 and 23 with screws (C) as shown.



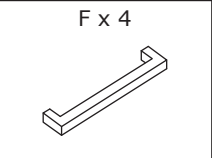
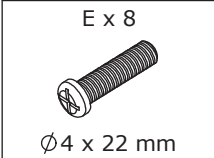
40



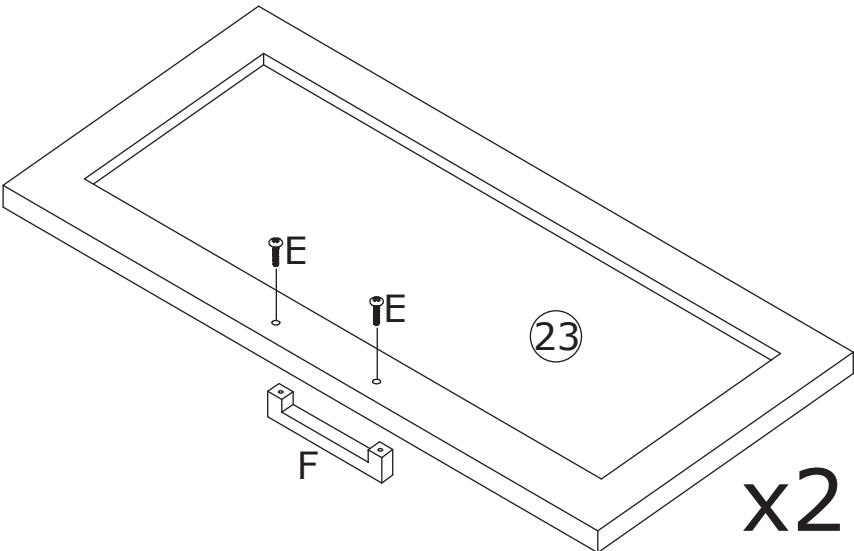
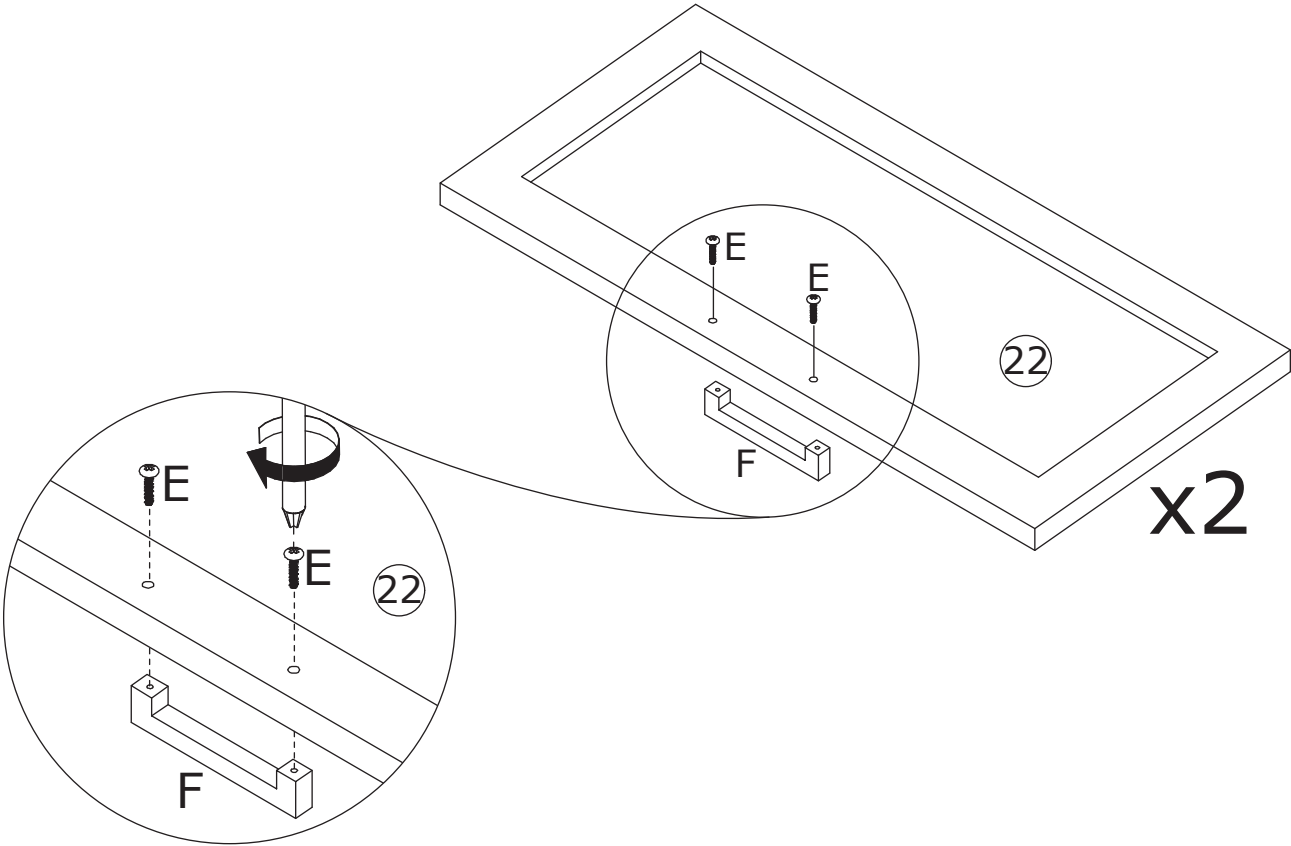
Secure hinge (G) to door plate 22 and 23 with screws (D) as shown.



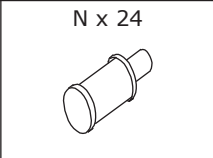
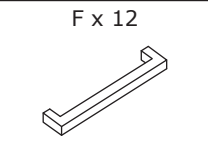
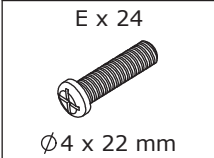
41



Secure the pulls (F) to door plate 22, 23 with screws (E) as shown.

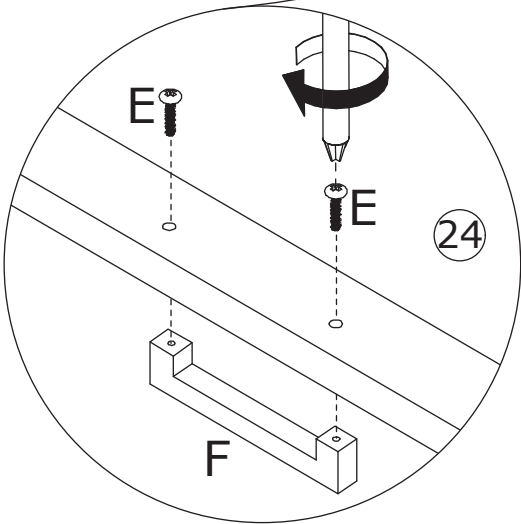
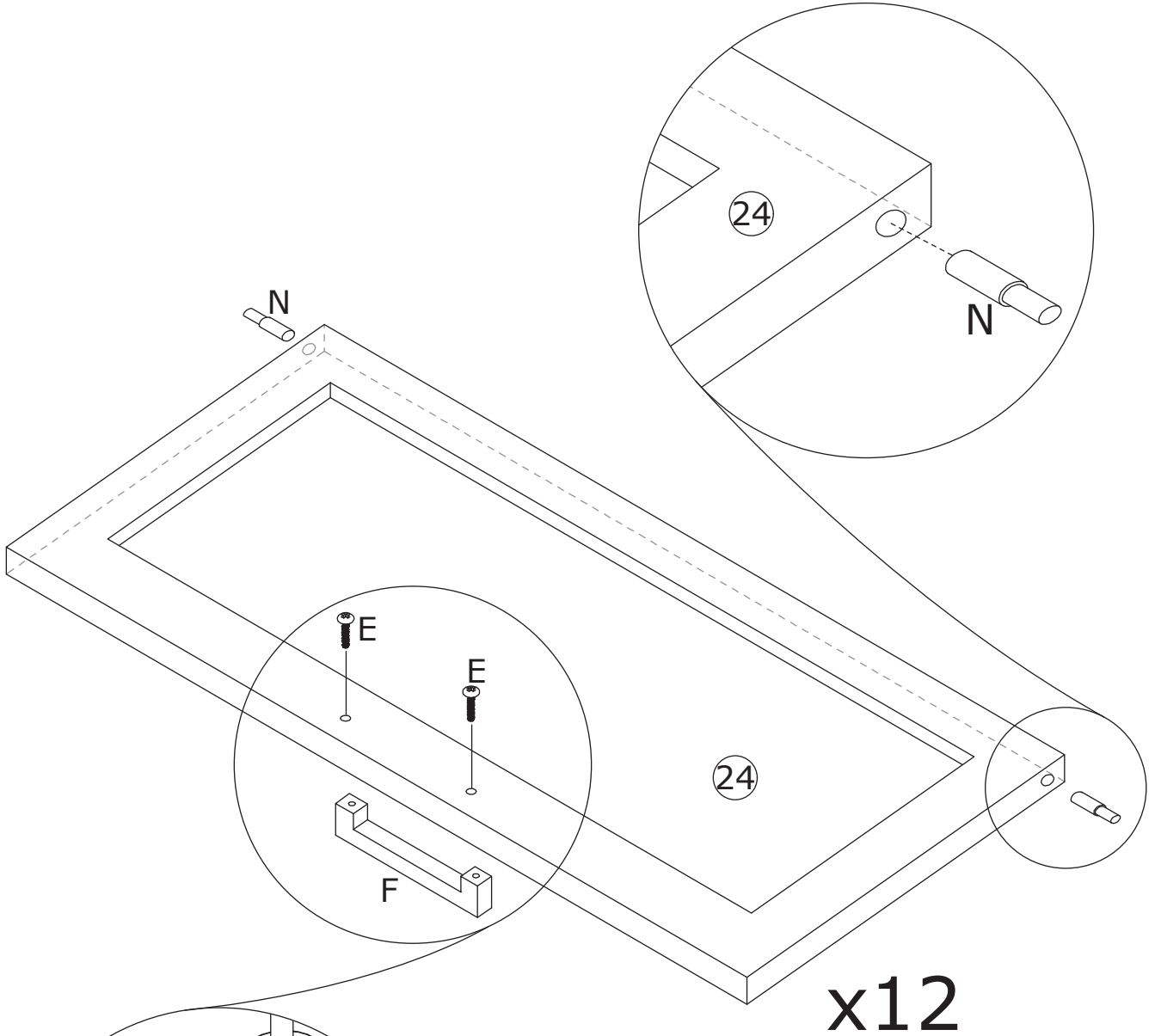


42



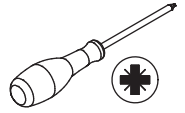
Secure the pulls (F) to door plate 24 with screws (E) as shown.

Insert the hardware (N) into plate 24 as shown.

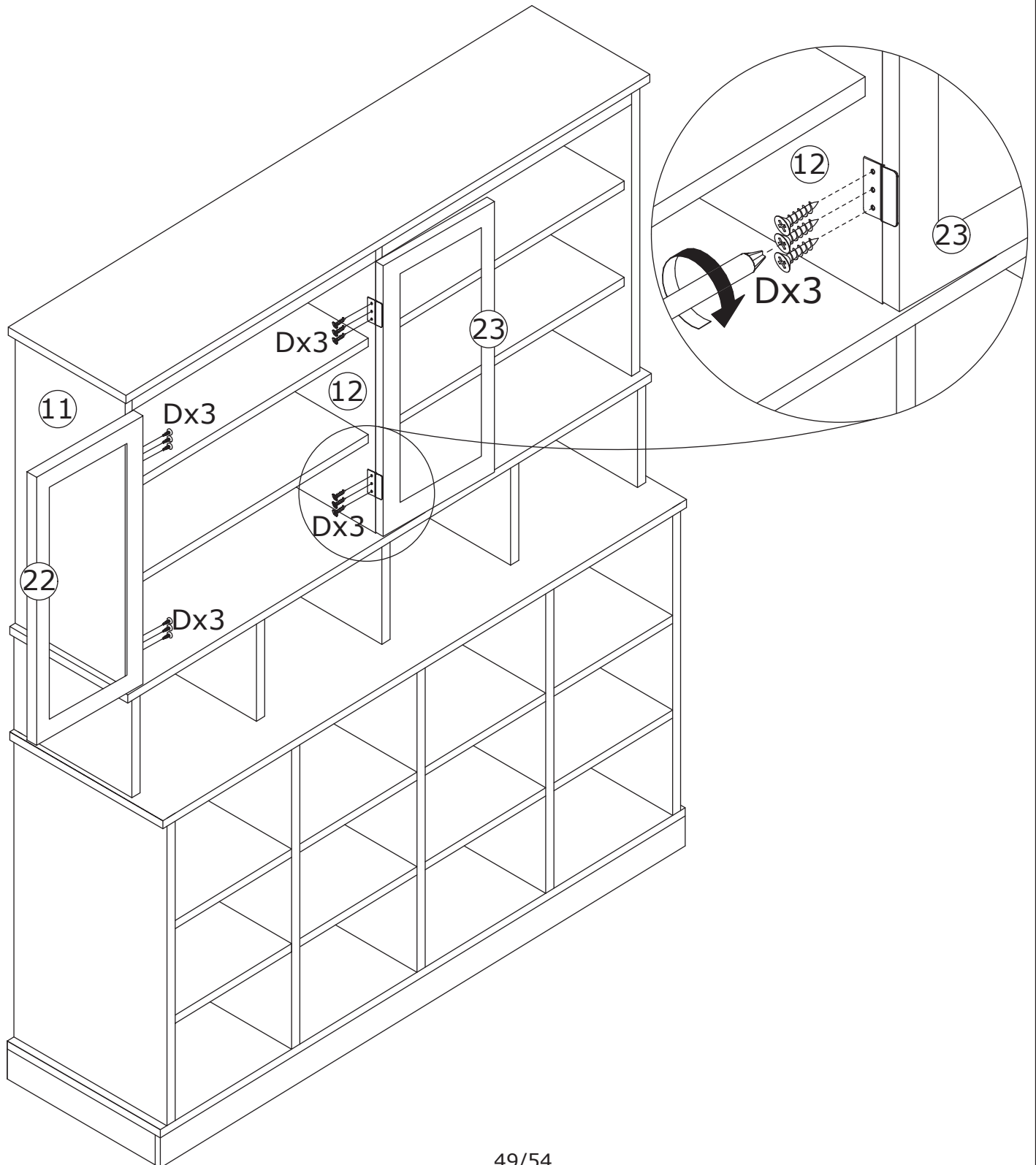


43

D x 12
Bronze
Ø3 x 14 mm

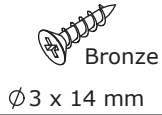


Secure door panels 22 and 23 to the top of the furniture with screws (D) as shown.

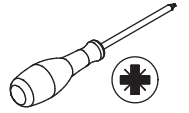


44

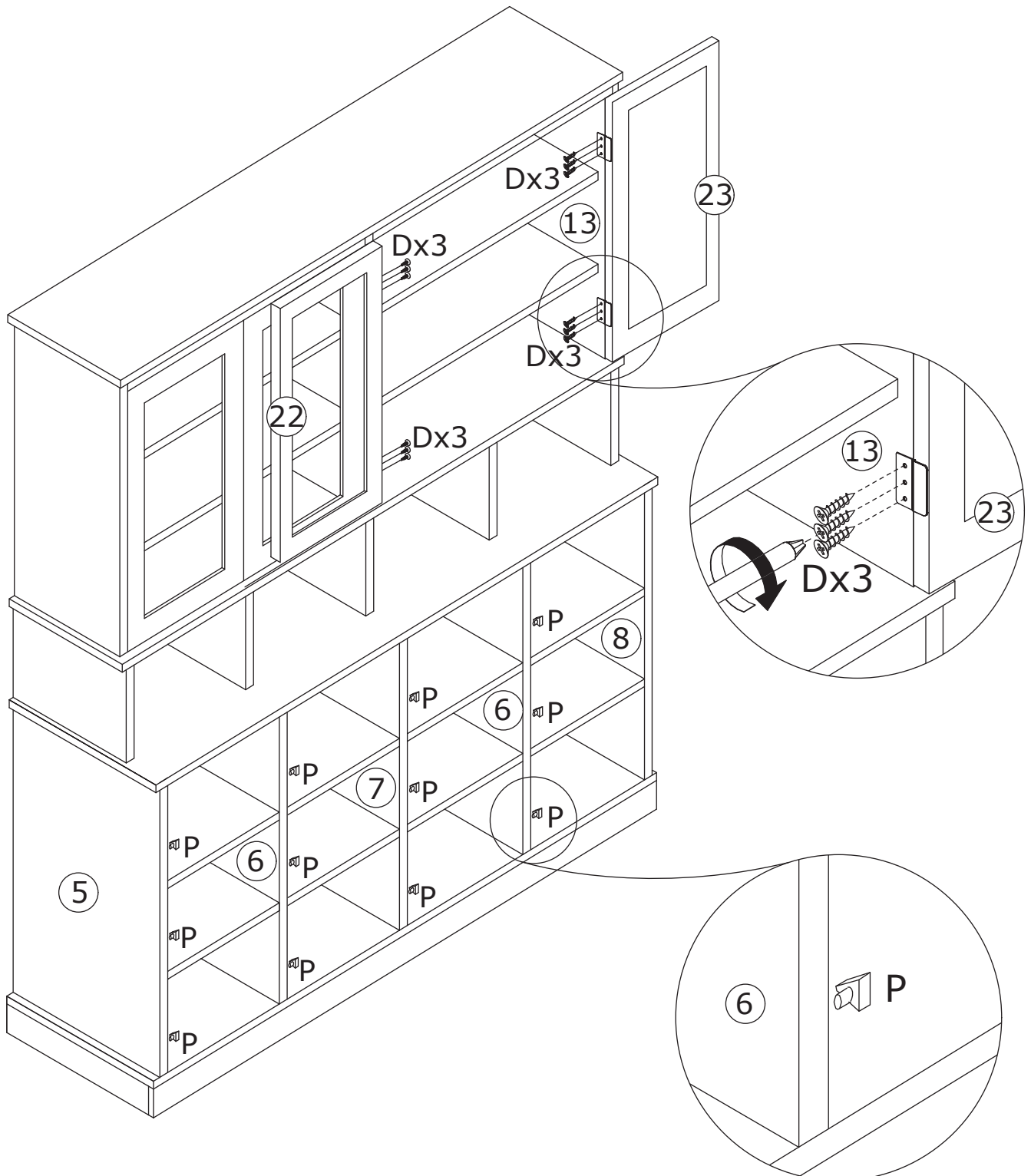
D x 12



P x 12

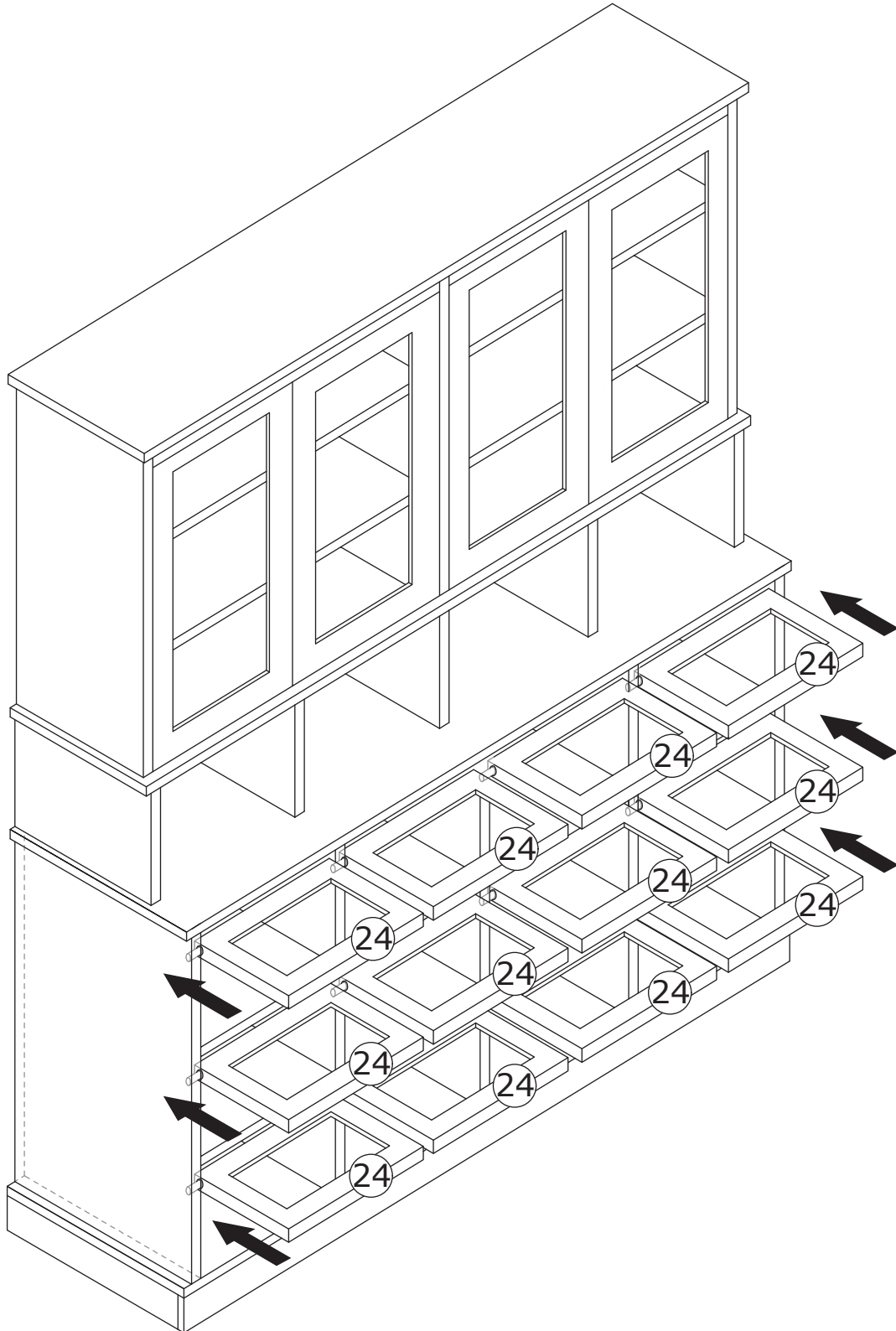


Secure the door panels 22, 23 to the top of the furniture with screws (D).
Insert the hardware (P) into plate 5, 6, 7 and 8 as shown.

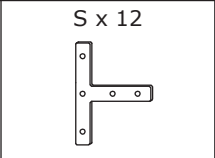
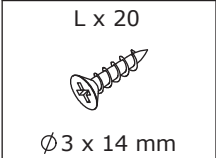


45

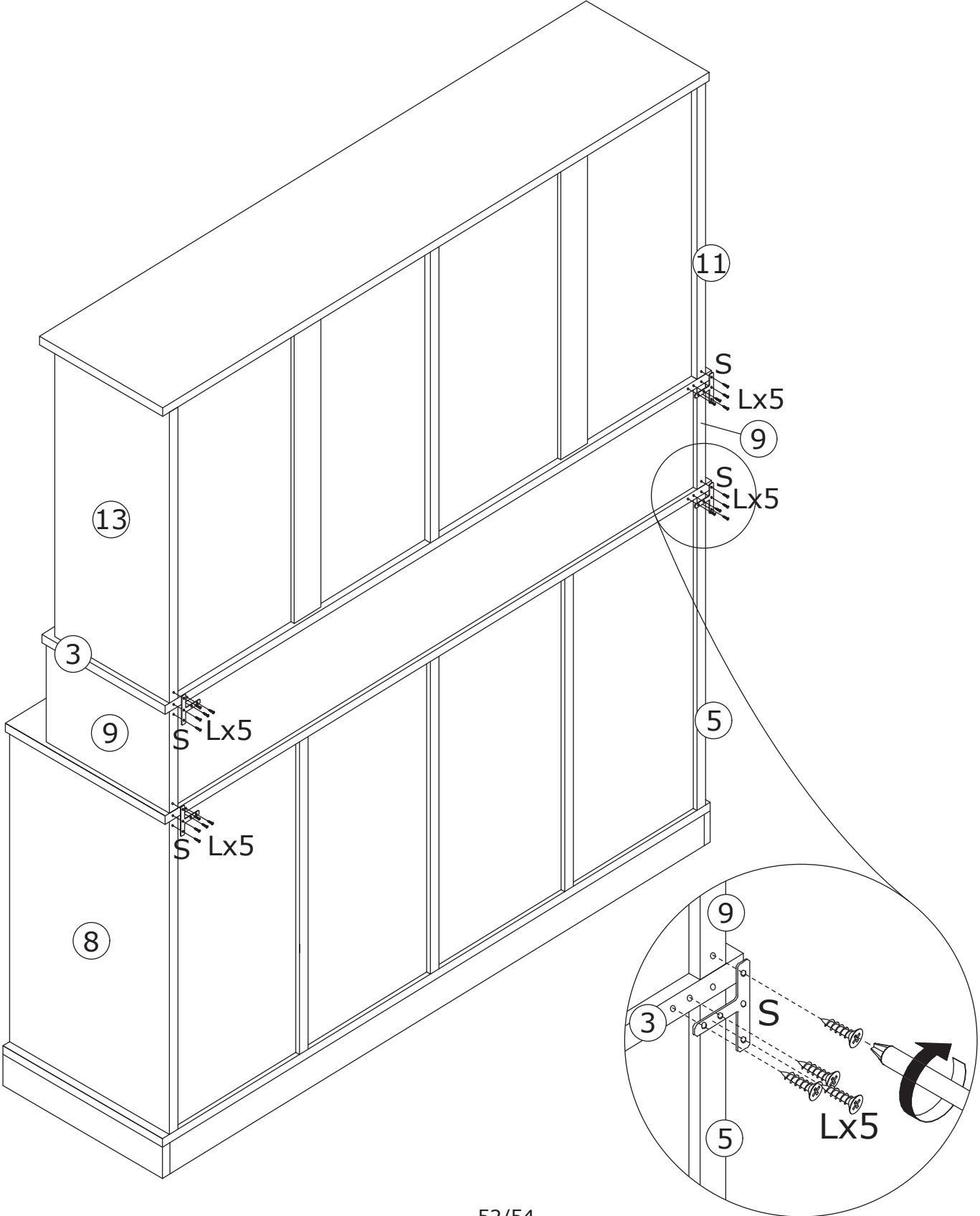
Firstly, tilt one side of the door plate 24 to insert the hardware (N), then press the hardware (N) on the other side by hand until it is flush with the side panel, and finally push the hardware (N) into the empty space inside the side panel to fix it, as shown in the figure.



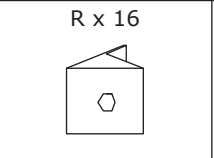
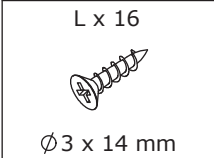
46



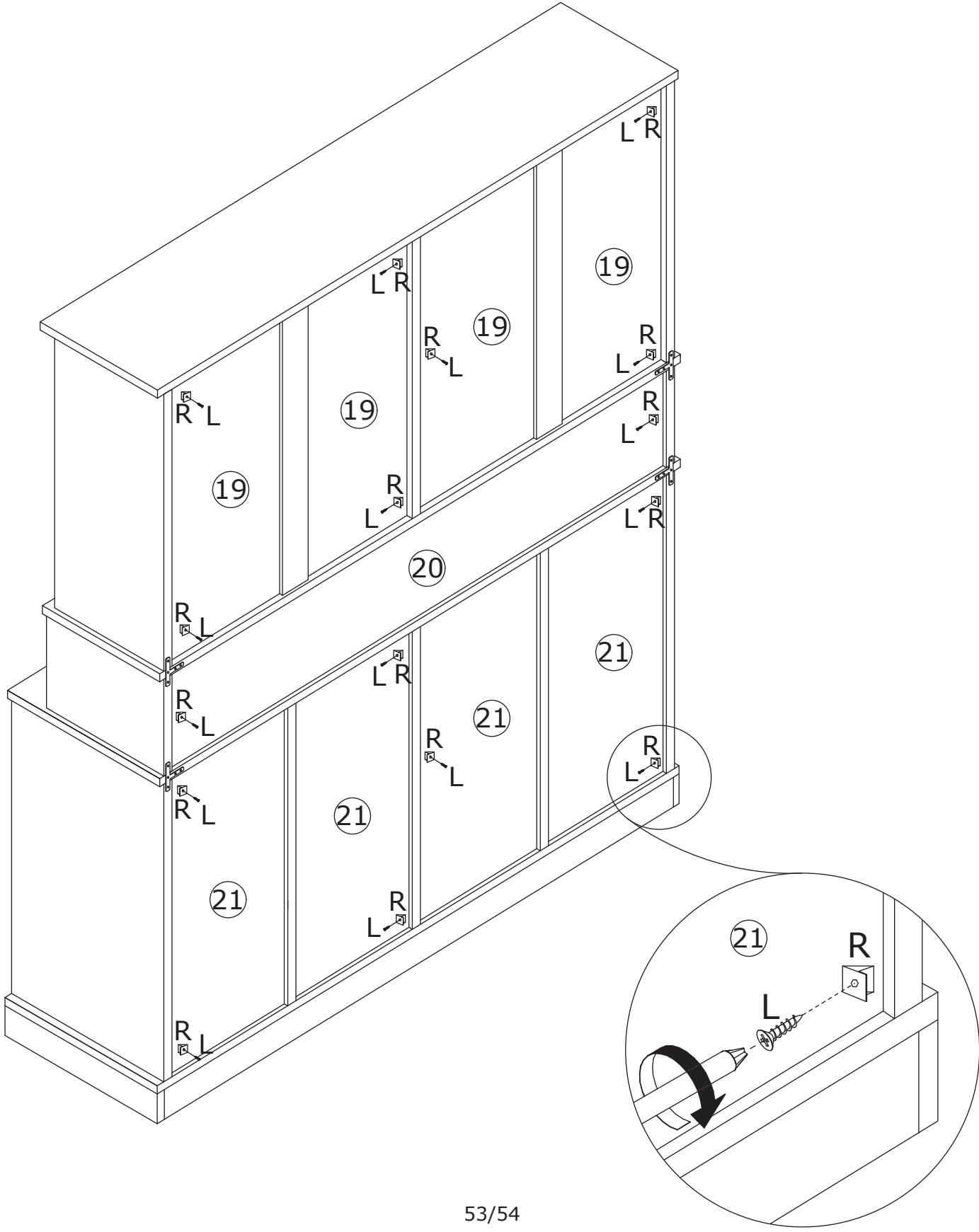
Attach hardware (S) to back of the furniture, secure with screws (L) as shown.



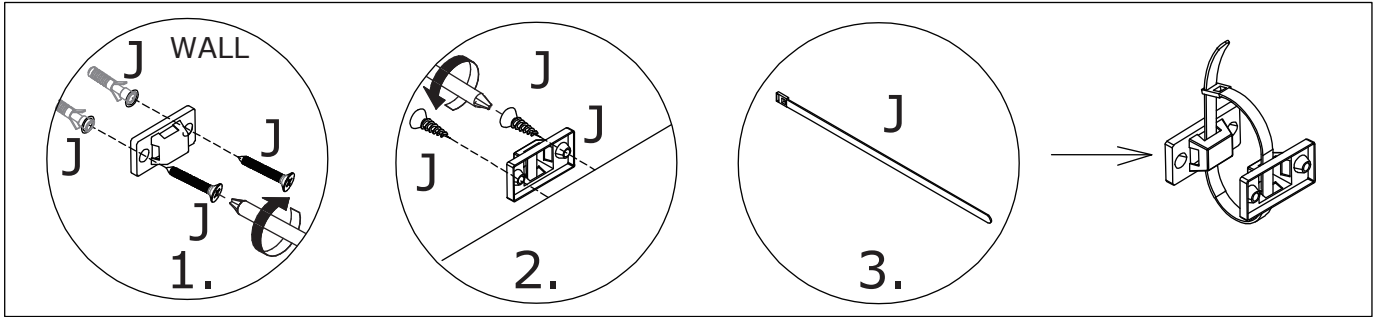
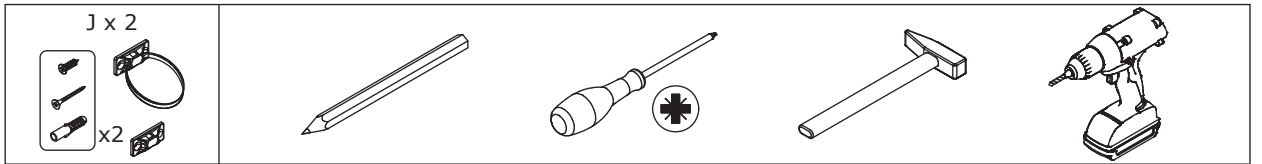
47



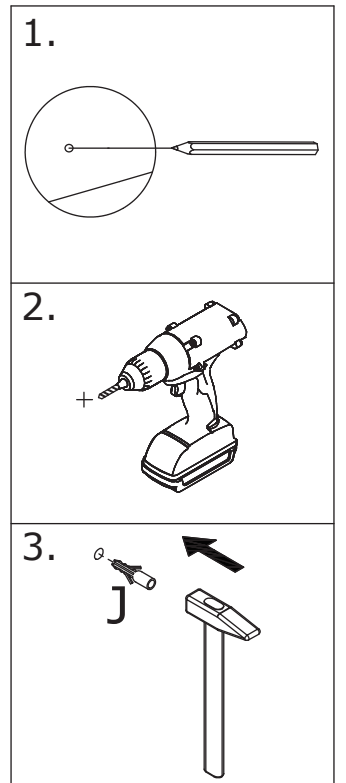
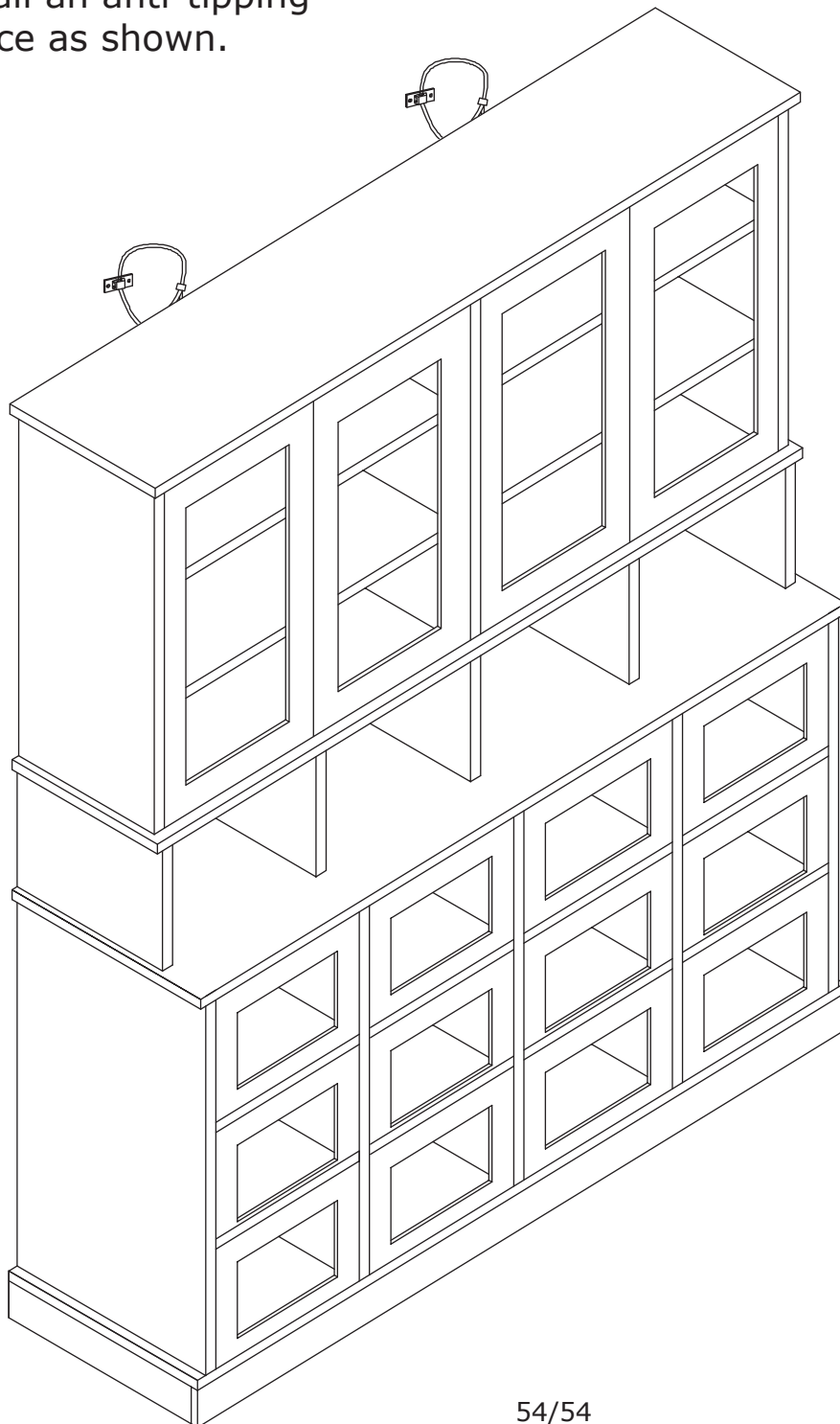
Insert the buckle (R) into back slots and secure with the screws (L) as shown.



48



Install an anti-tipping device as shown.



WARRANTY

WARRANTY CLAIMS

- There is a 30-day warranty for broken furniture or any other problems that do not work properly. The warranty will start from the date of purchase which must be verified by proof of purchase.
- Before making a claim, we may be able to answer your query, simply call us. Please leave your purchase order number, along with some details of the problem, if you want a replacement part. We will arrange within 48 hours. If there is out of stock, we will reply with a shipping date.
- The product must be used in accordance with the instructions provided. For health reasons.
- For other reasons, if the furniture needs to be returned, it must be cleaned and dried and operated within 30 days of receipt.

Type of Warranty Claim

- Failure to follow the furniture instructions will invalidate the warranty. Attention please.
- Does not include damage during installation, but includes damage during transportation.

Scope of responsibility

- Shall not bear any responsibility for misuse or user damage and / or loss of parts during the installation of furniture.
- After using, the damage and scratches of the furniture are not covered by the warranty.

The Warranty Relates to All Bought in The Us and Covers The Following Areas

- Sheet parts: 1 month from the date of purchase.
- Electrical parts: 1 month from the date of purchase.

RETURNS

CHANGED YOUR MIND AND NEED TO RETURN YOU ITEM?

PLEASE FOLLOW THE BELOW INSTRUCTIONS:

- If you have purchased and have simply changed your mind, follow the retailer's instructions for returns.

DEFECTIVE ITEMS

- If your item is defective in any way, i.e. it doesn't work but you can't identify why, in the first instance, please call us.

DAMAGED ITEMS

- If you receive an order with obvious shipping damage from the retailer, then we suggest the delivery is refused. If the delivery has been accepted and then shipping damage is found, please follow the specific instructions advised by the retailer.
In all circumstances please save all packaging material and paperwork for the order. Please be aware that if you dispose of packaging material or attempt to return the merchandise without contacting the fulfiller, you jeopardise your chances of making a claim, and you may not receive a credit for the return.

AFTER-SALES CONTACT



adelahu@fufugaga.com



208-820-0068