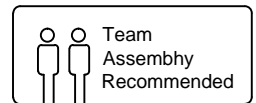
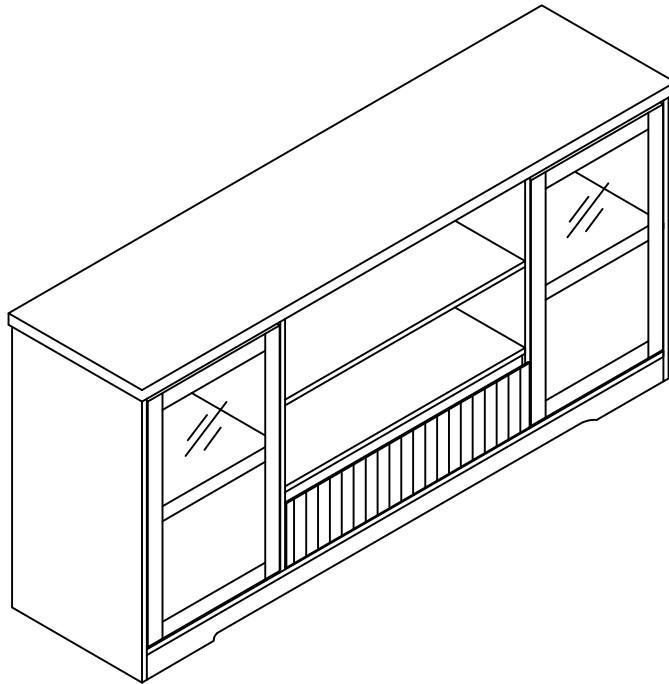


# tv cabinet



# Assembly instruction



## Trouble shooting:

Missing/Wrong /Broken parts and installation issues



Send email with your question pic, order NO. and screenshot of order details.



Respond within 24 hours



Issue resolved

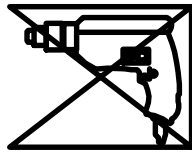
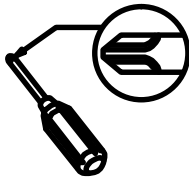
## Tips!



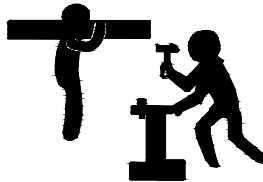
1. Check all the components & screws are intact before assembling .
  2. If you notice any pieces are missing or damaged please do not assemble and contact us immediately .
  3. **Please send an email with you order number and issues,we will respond within 24 hours.**
- Customer Service Team**

## Tools required

A Phillips head screw driver is required for the assembly of this product. (not included)  
Electric tool should not be used to assemble this product.



## Two people are needed



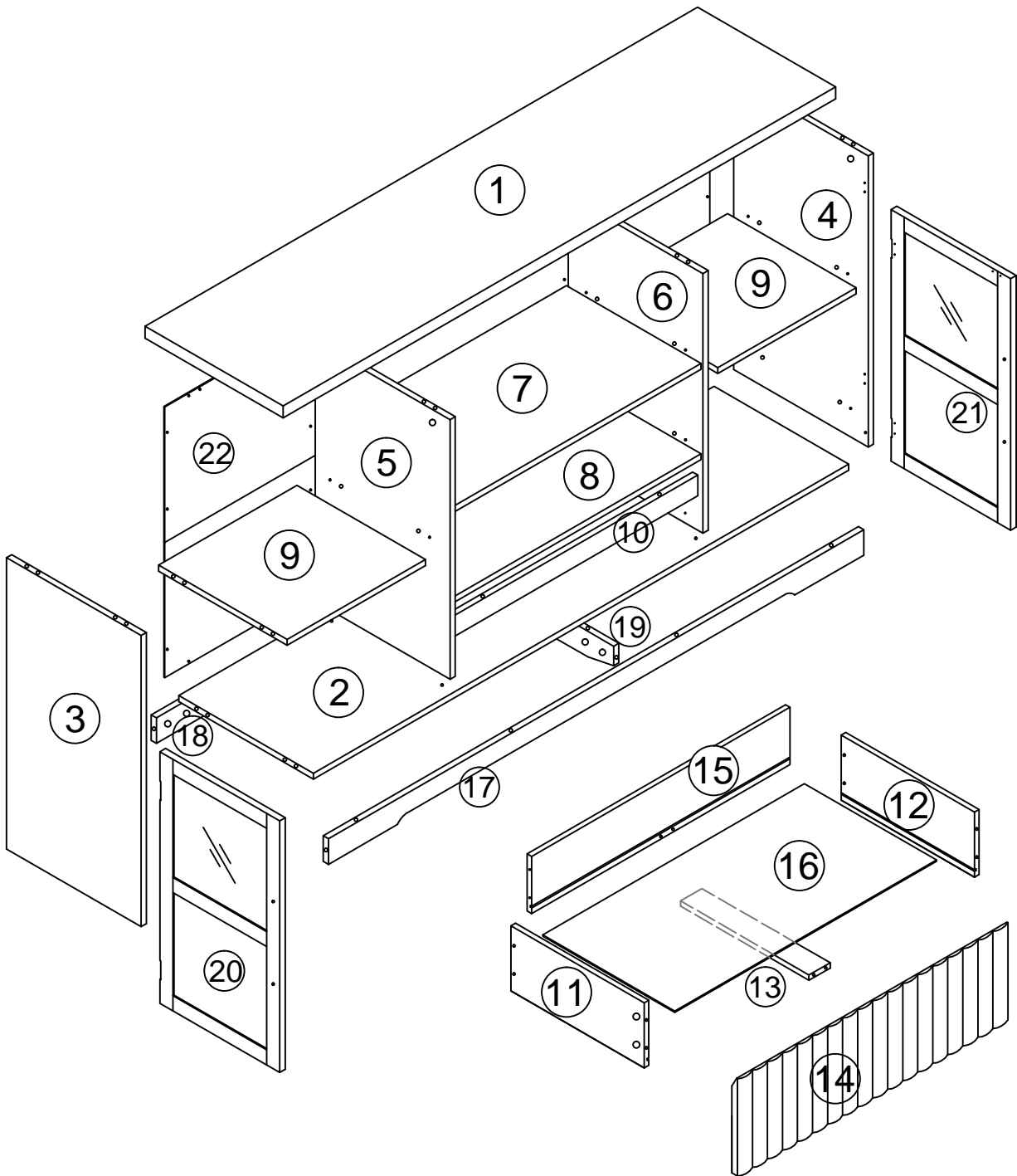
## IMPORTANT SAFETY INFORMATION

- Please carefully read the following instructions and caution warnings before assembling the product.
- Following this guide will ensure that you install, use and maintain the product properly.
- Please keep this installation and user manual/instructions for future reference in case you need to disassemble the product.
- Never allow children to climb onto the product. Ensure that you have special safety measures when children are around on their own.
- Be sure to check that all parts of the product are intact after you open the package.
- Do not assemble if you notice serious damage such as cracks or bends.
- During installation, please use work gloves for hand safety.
- Please assemble the unit on carpeted floor or the flat cardboard box to avoid scratching the surface or your floor while assembling on the floor.
- To assemble, please use the complimentary installation tools (Phillips screwdriver). Pay more attention to the direction of components at each steps.
- It is recommended that two people work together to assemble the product.

## RETURN POLICY

- Please contact us directly within 30 days after receiving.
- Ensure the product is in a good condition with the original box and all original certificates of purchase, manuals, and accessories attached.

Please check that you have all the parts listed below



**Note: Don't tighten all screws during installation.**

# HARDWARE LIST

## Components:

	① X1
	② X1
	③ X1
	④ X1
	⑤ X1
	⑥ X1
	⑦ X1
	⑧ X1
	⑨ X2
	⑩ X1
	⑪ X1
	⑫ X1
	⑬ X1
	⑭ X1
	⑮ X1
	⑯ X1
	⑰ X1
	⑱ X1
	⑲ X1
	⑳ X1
	㉑ X1
	㉒ X1

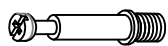
## Screws & Tools:

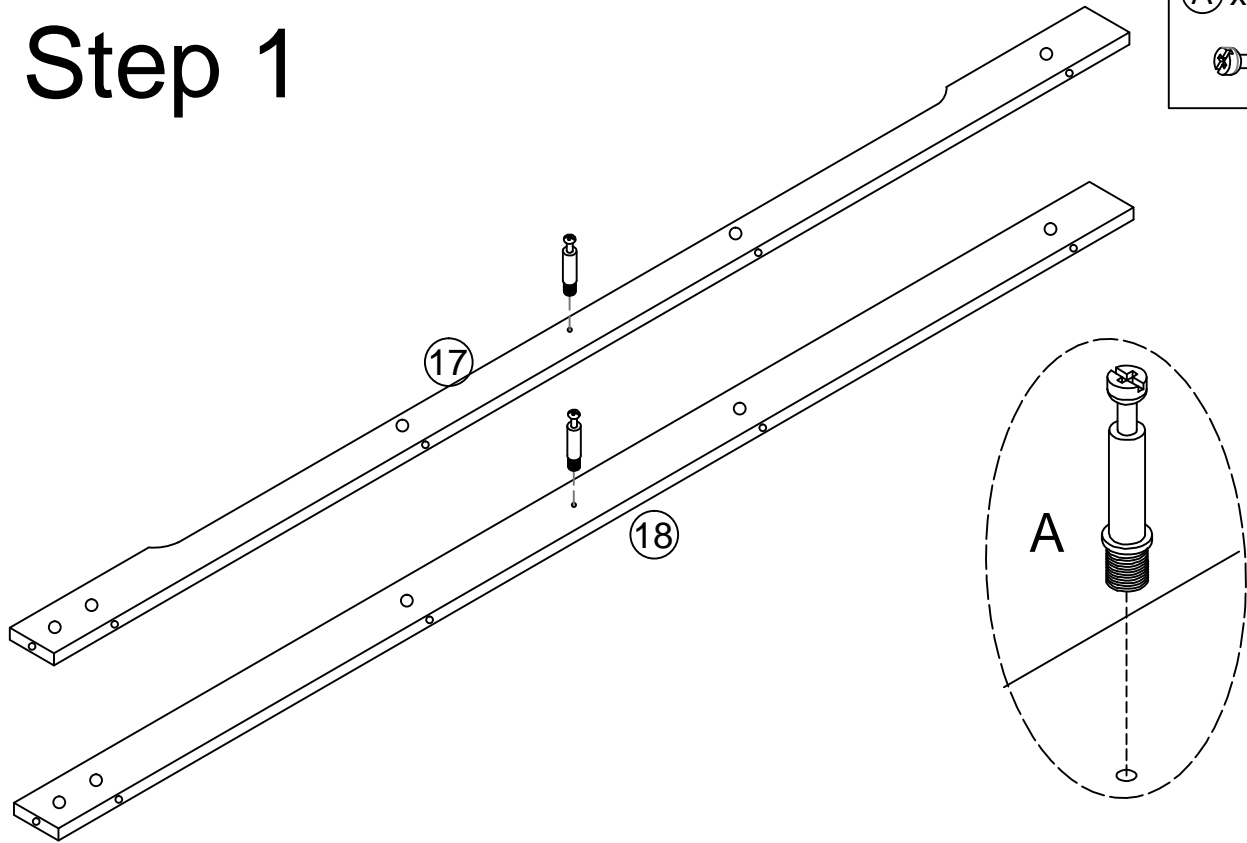
(A)		∅8*40mm	54+2pcs
(B)		∅15x9 mm	54+2pcs
(C)		∅8x30 mm	28+2pcs
(D)		∅5x40 mm	4pcs
(C-L)			1pcs
(C-R)			1pcs
(D-L)			1pcs
(D-R)			1pcs
(E)		∅3.5x14 mm	36+2pcs
(F)		∅3.5x35 mm	6+1pcs
(H)		15mm	4pcs
(I)			2pcs
(J)		M3mm	1pcs
(L)		∅4x14 mm	30+2pcs
(M)			2pcs
(N)			2pcs
(R)		300x12 mm	2pcs
(S)		∅5x22 mm	4pcs

Check all the components & screws before assembly.  
Do not install in case part is missing, contact us to get.


We will resend within 24 hours.

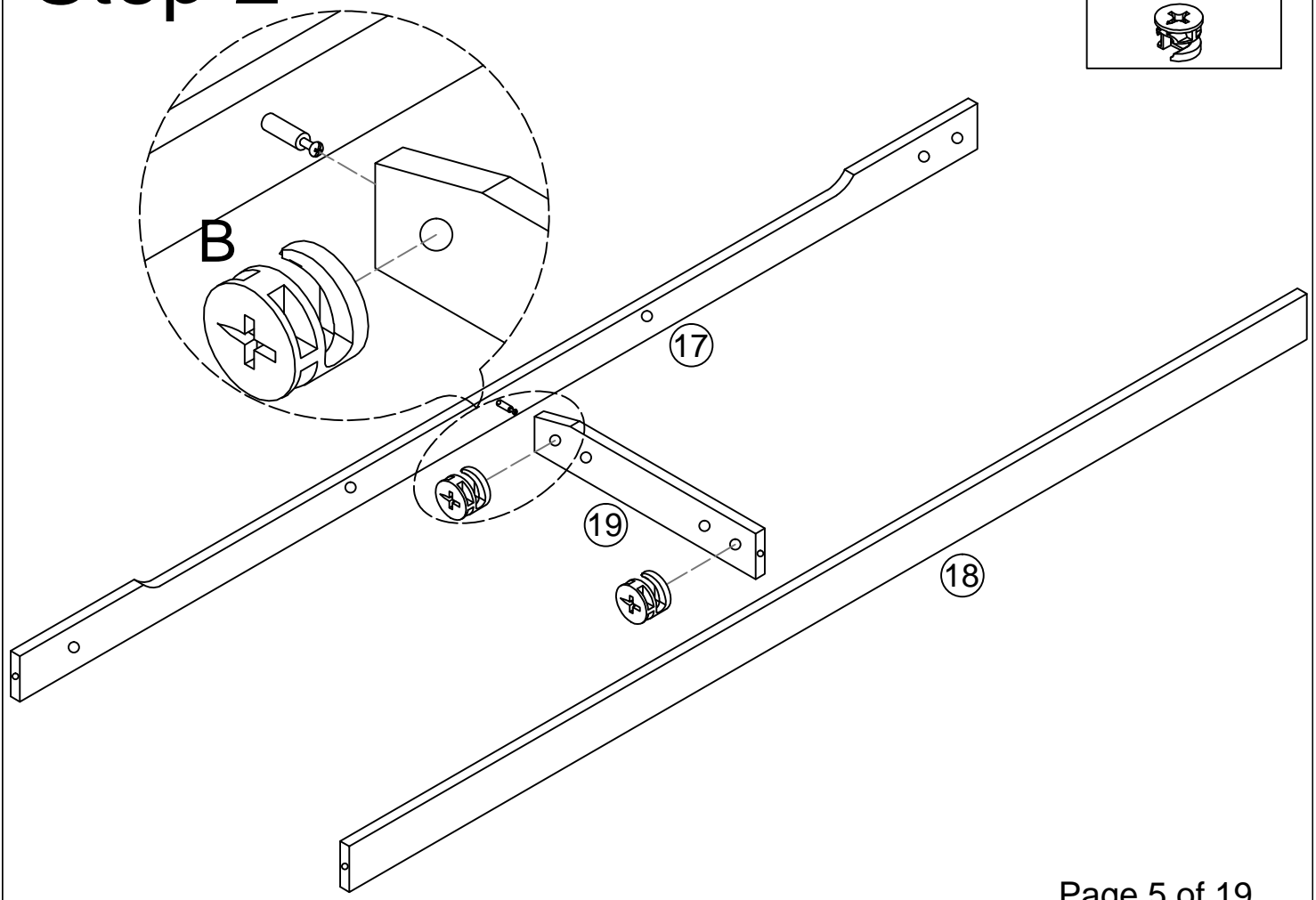
# Step 1

(A) x 2pcs  


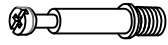


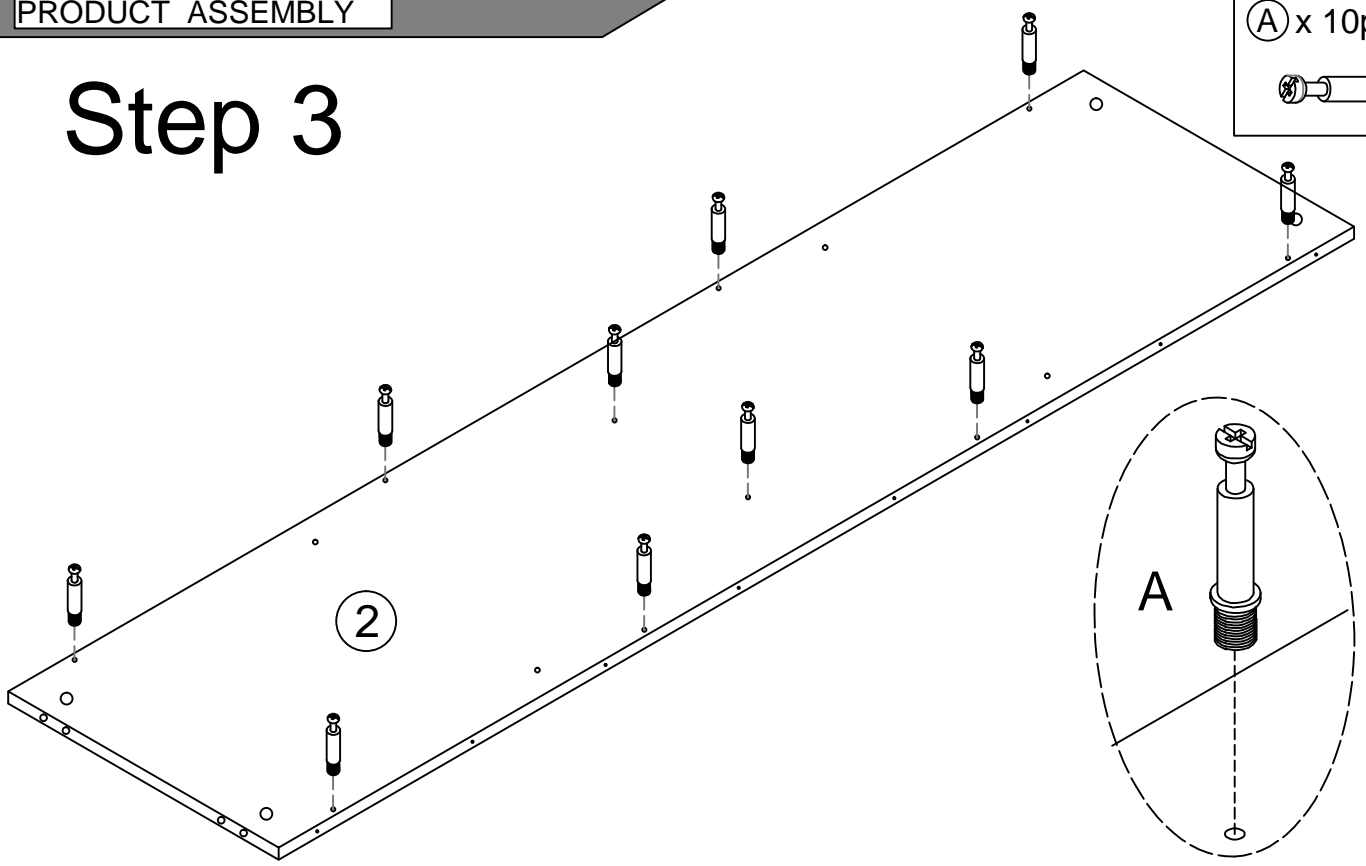
# Step 2

(B) x 2pcs  





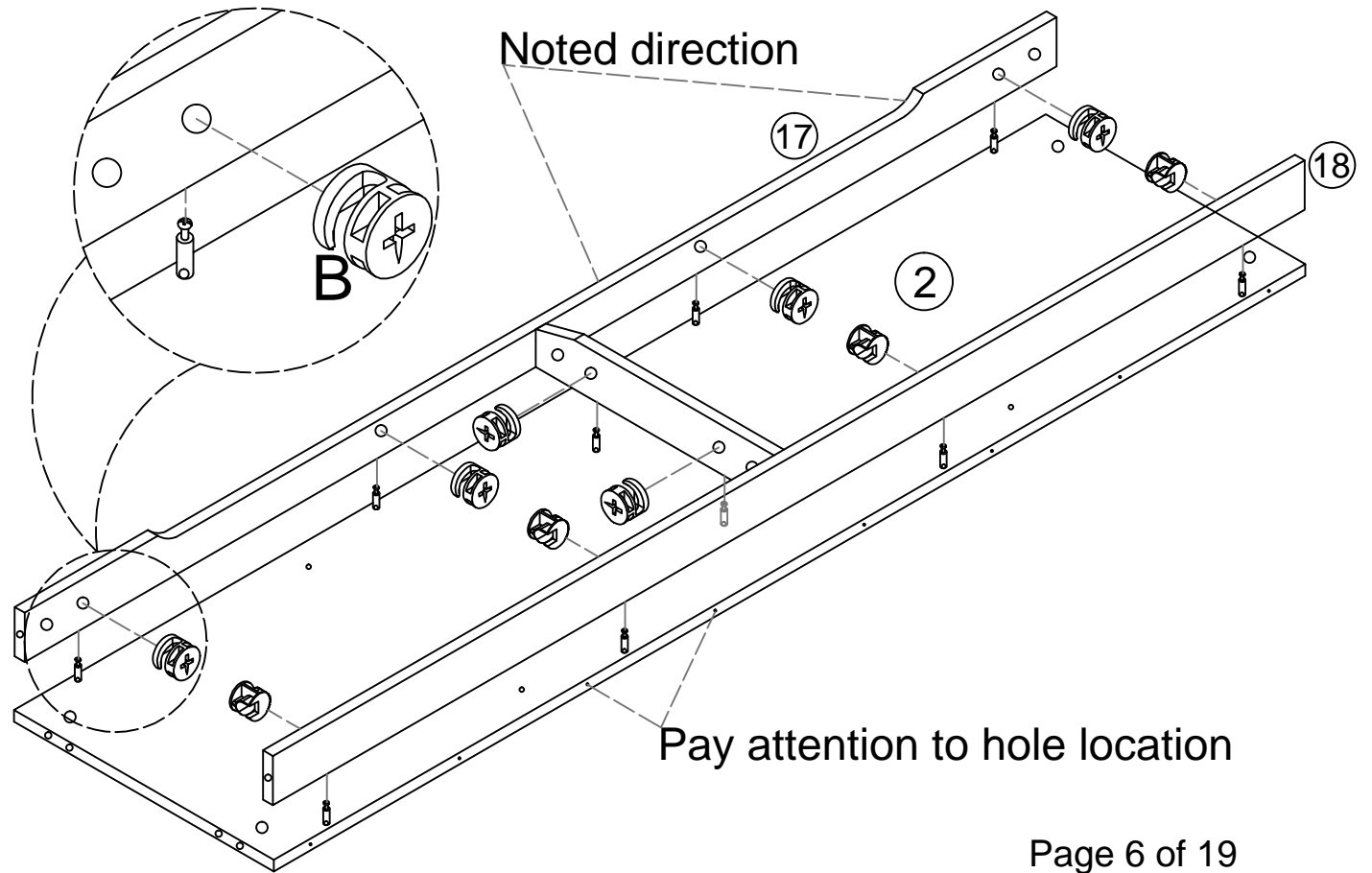
# Step 3

(A) x 10pcs  


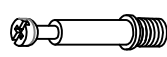



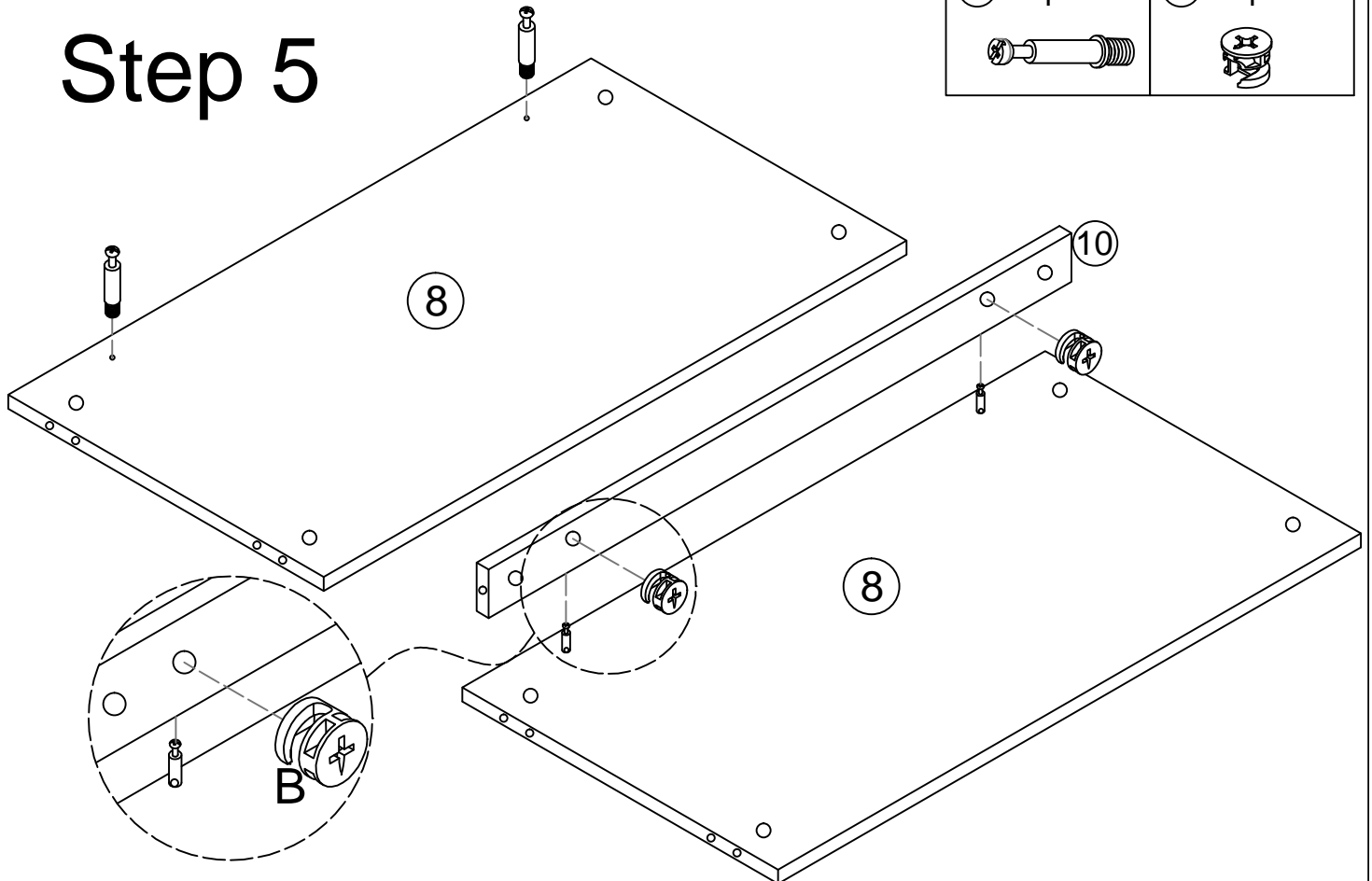
# Step 4

(B) x 10pcs  


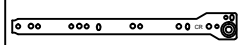



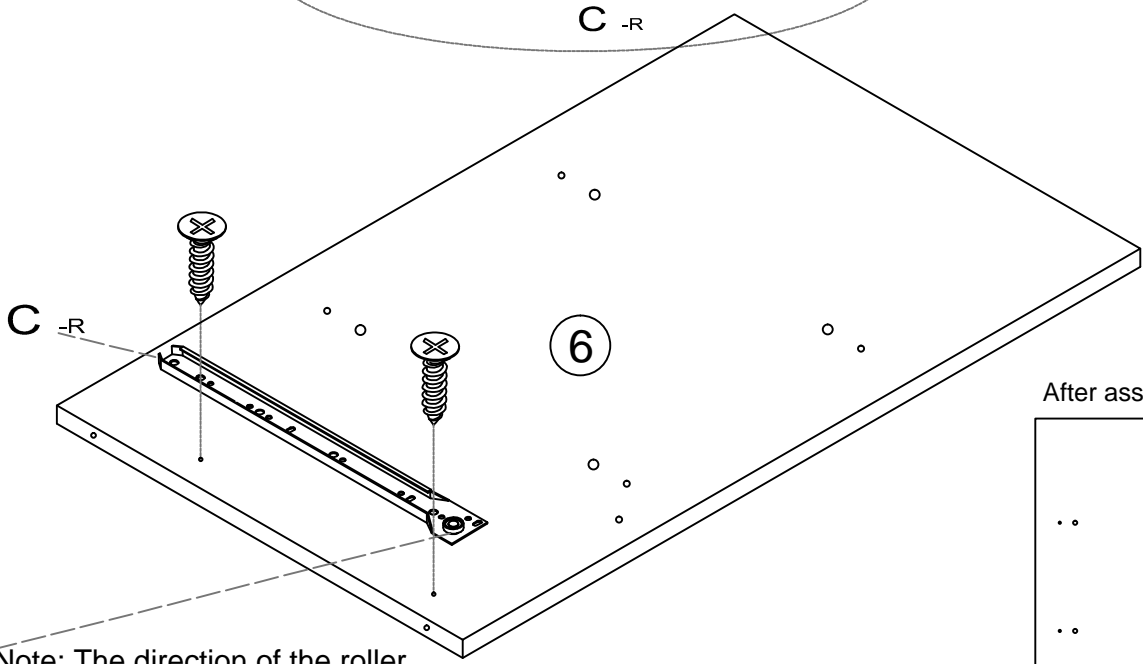
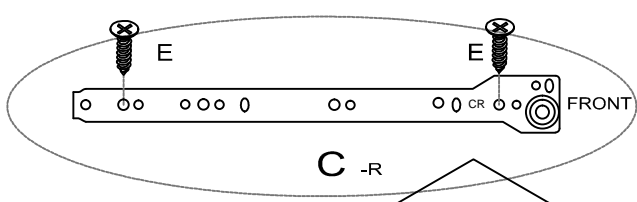
# Step 5

(A) x 2pcs 	(B) x 2pcs 
---	---



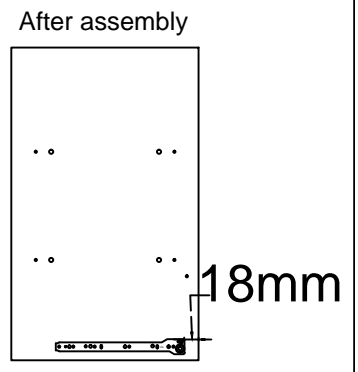
# Step 6

(C-R) x 1pcs 	(E) x 2pcs 
---	---

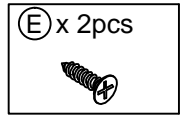
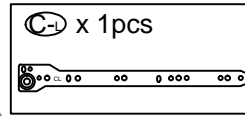
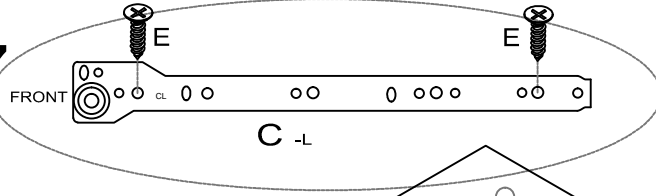


Note: The direction of the roller

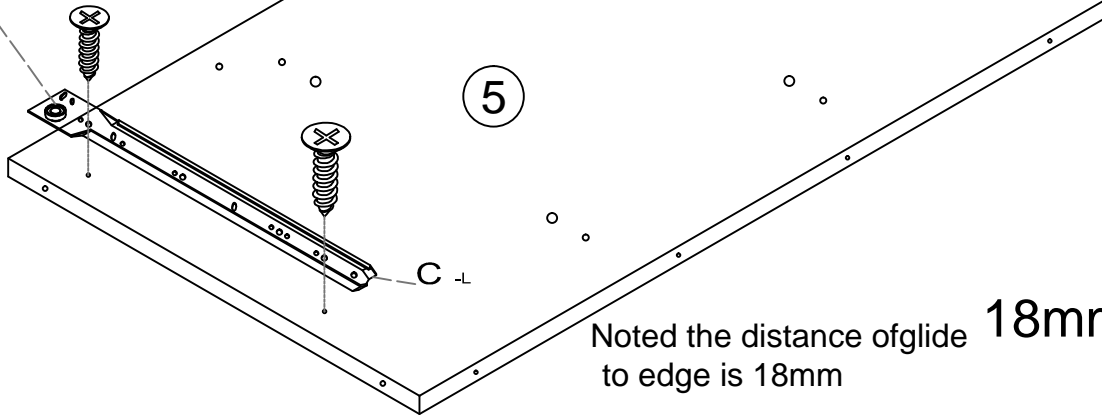
Noted the distance of glide to edge is 18mm



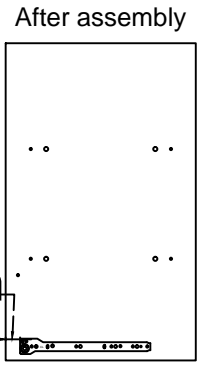
# Step 7



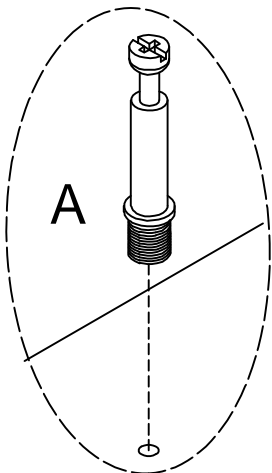
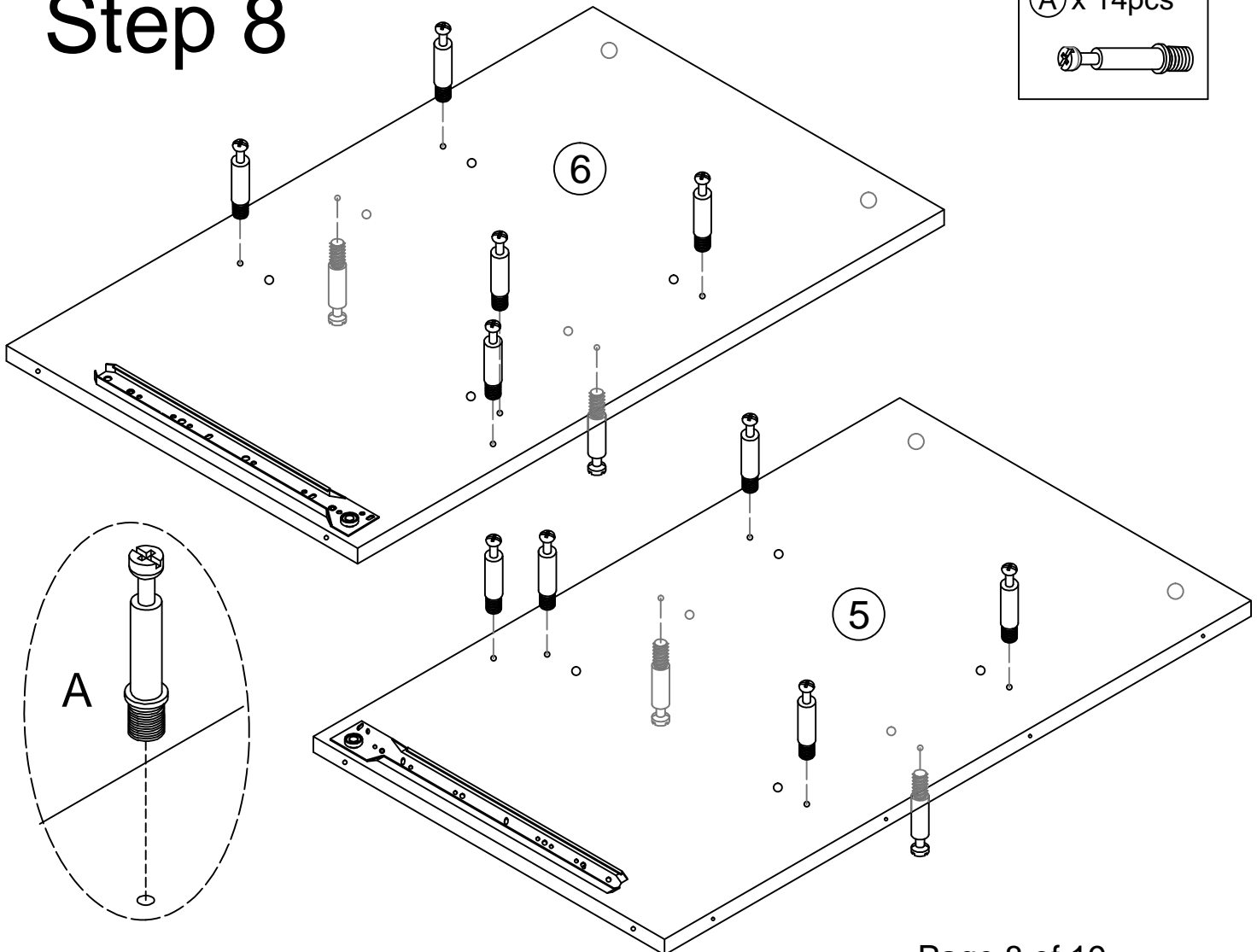
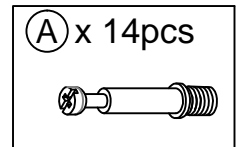
Note: The direction of the roller



Noted the distance of glide to edge is 18mm




# Step 8

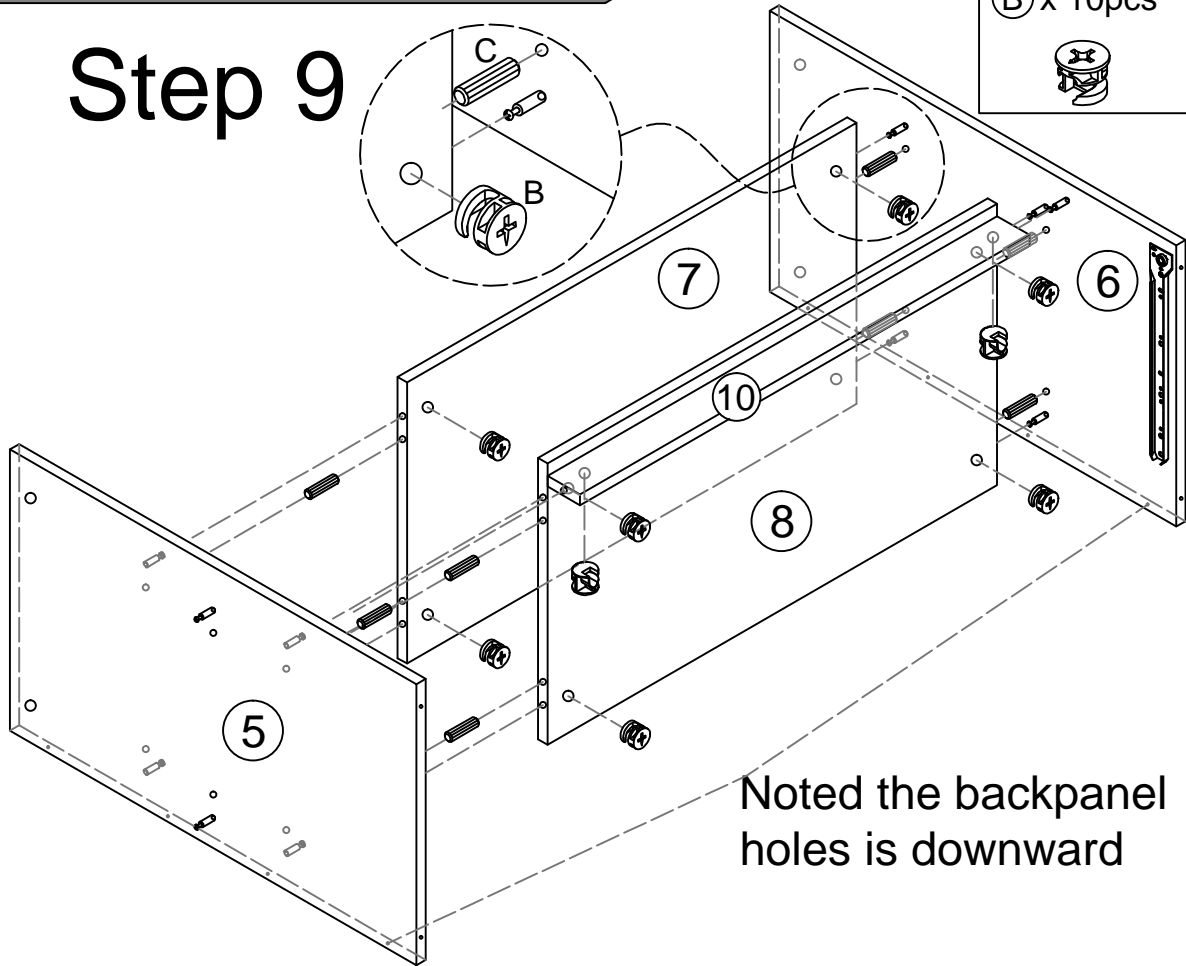
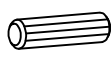


# Step 9

(B) x 10pcs




(C) x 8pcs



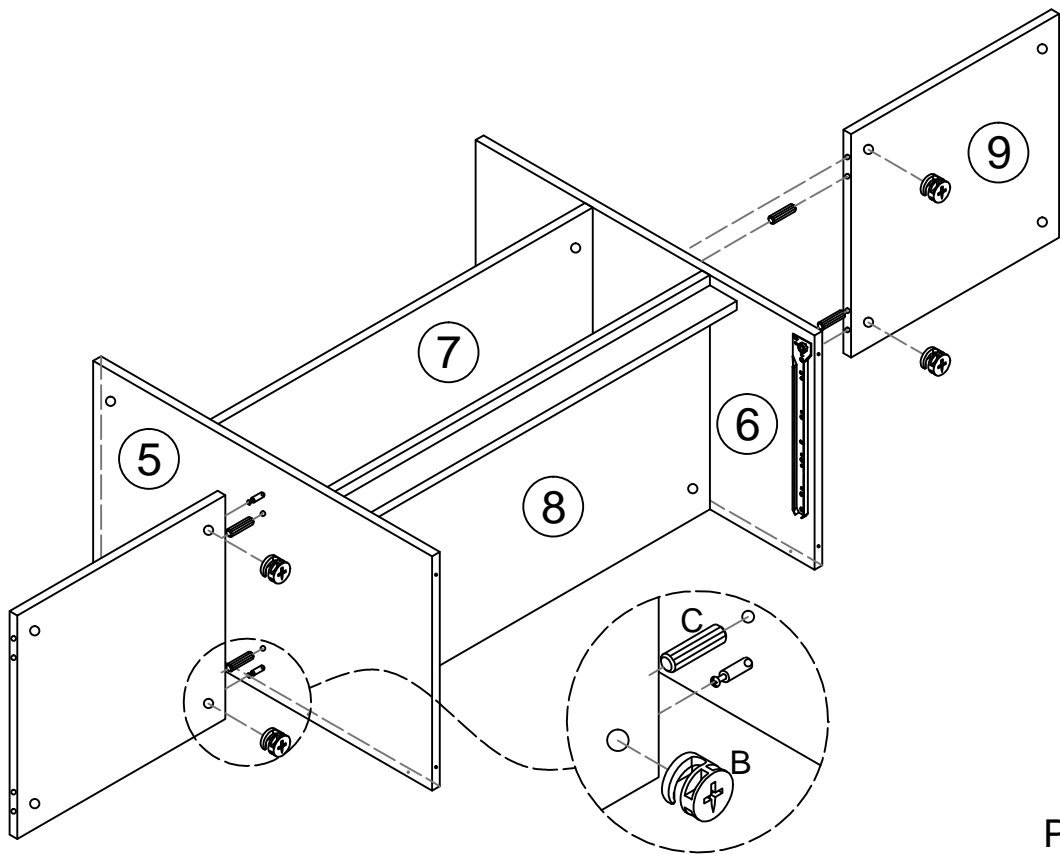
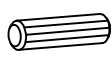
Noted the backpanel holes is downward

# Step 10

(B) x 4pcs

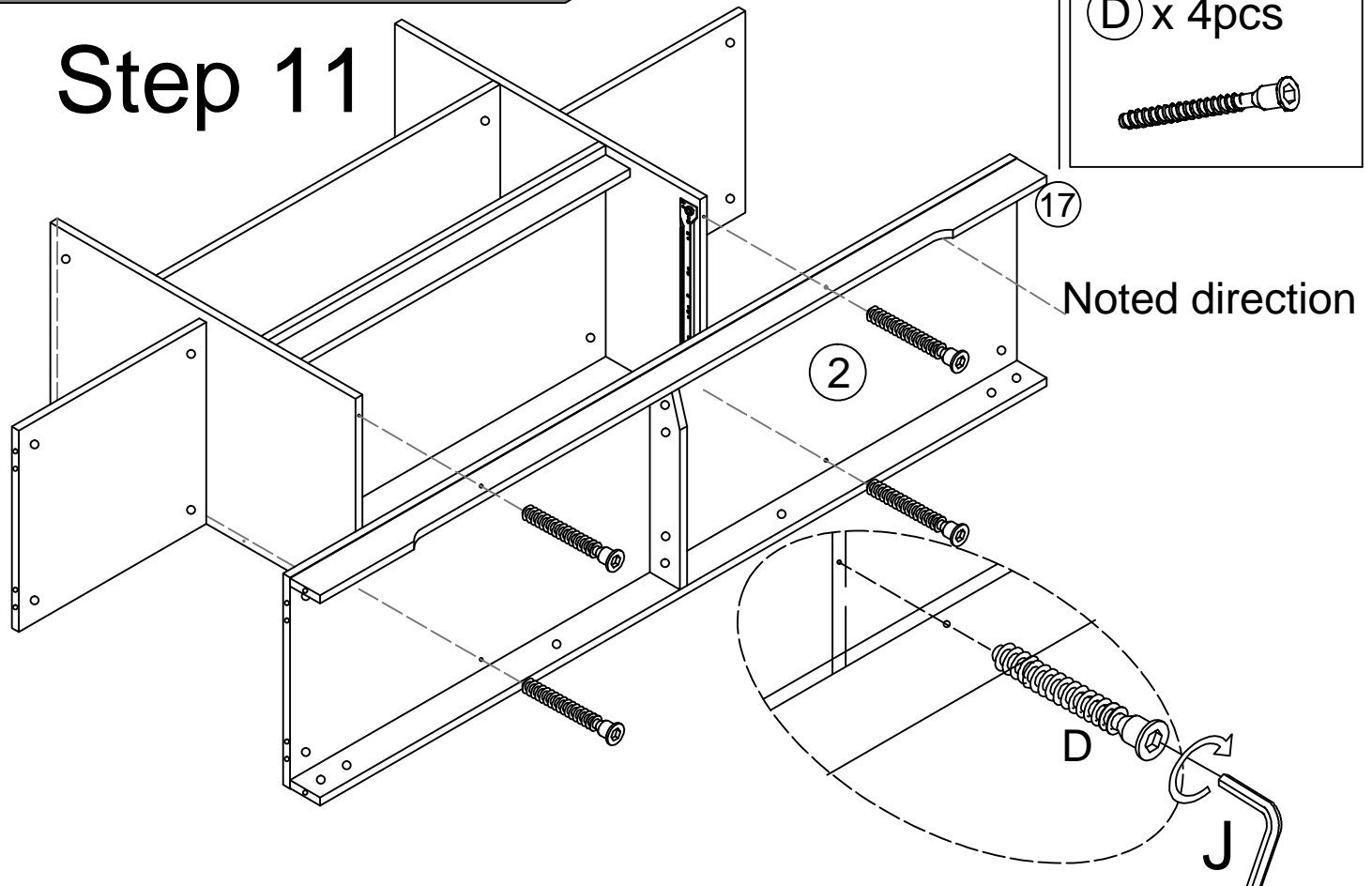



(C) x 4pcs



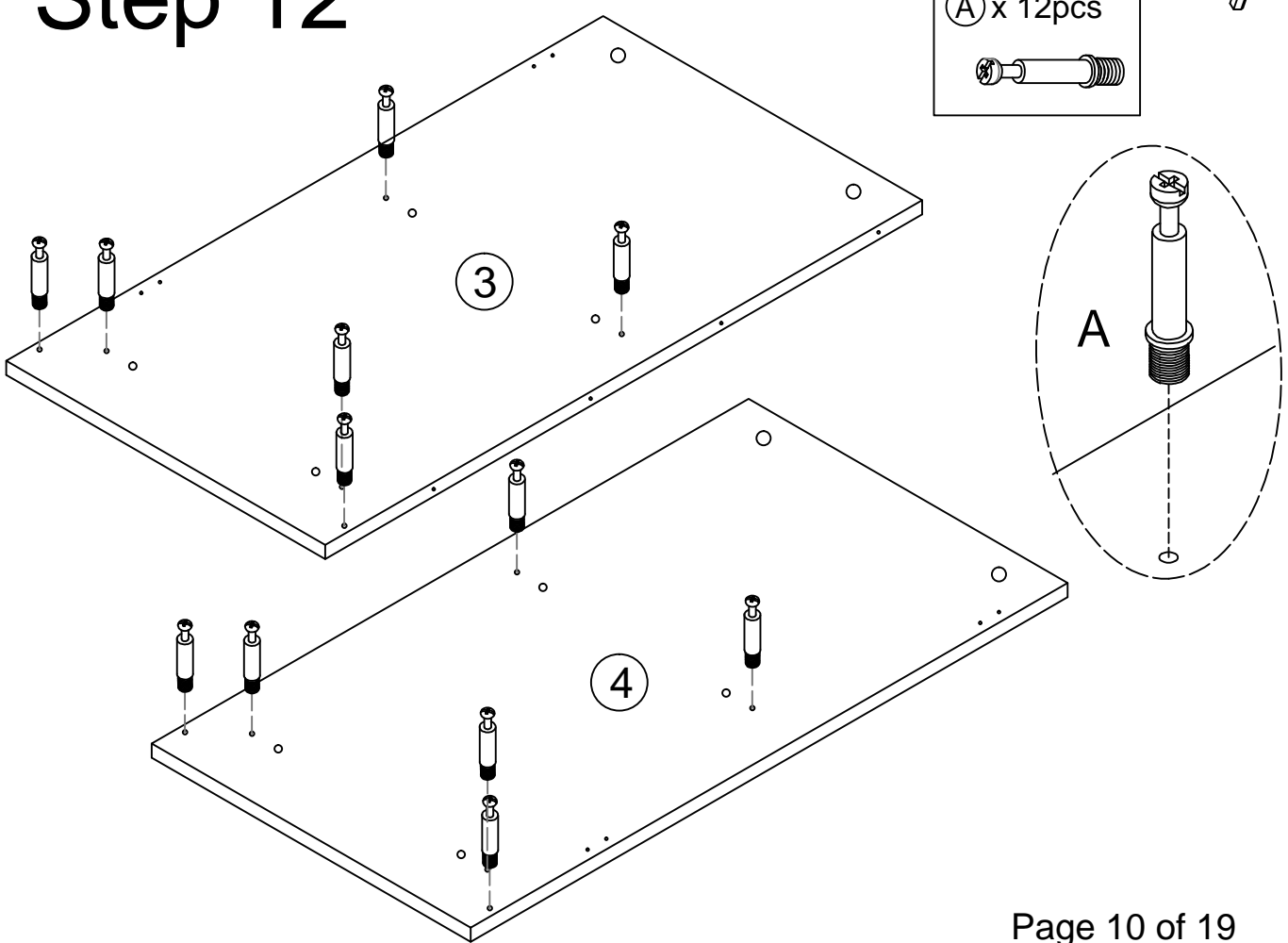
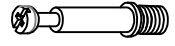
# Step 11

(D) x 4pcs


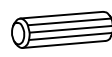


# Step 12

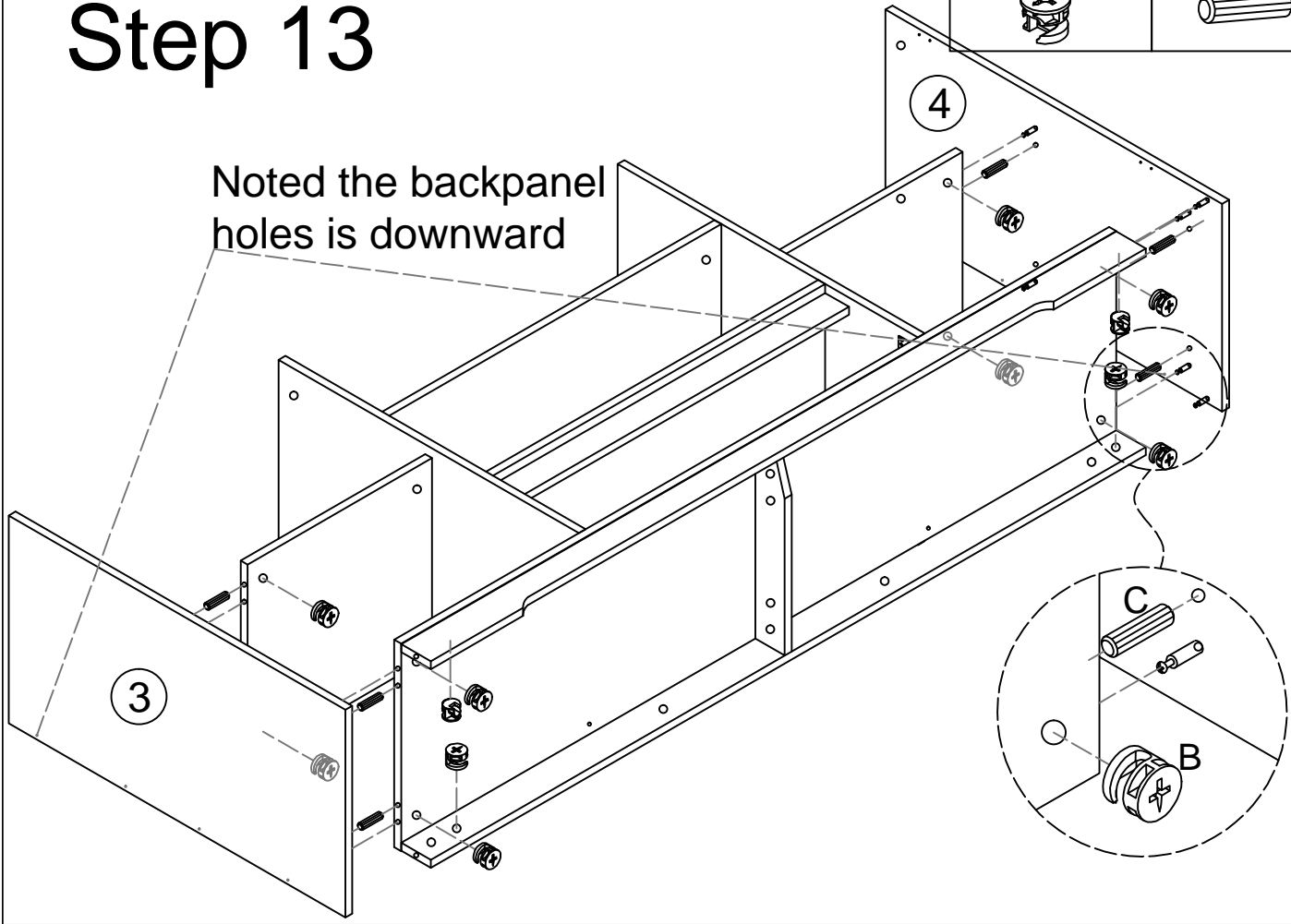
(A) x 12pcs



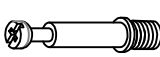


# Step 13

- (B) x 12pcs 
- (C) x 8pcs 

Noted the backpanel holes is downward



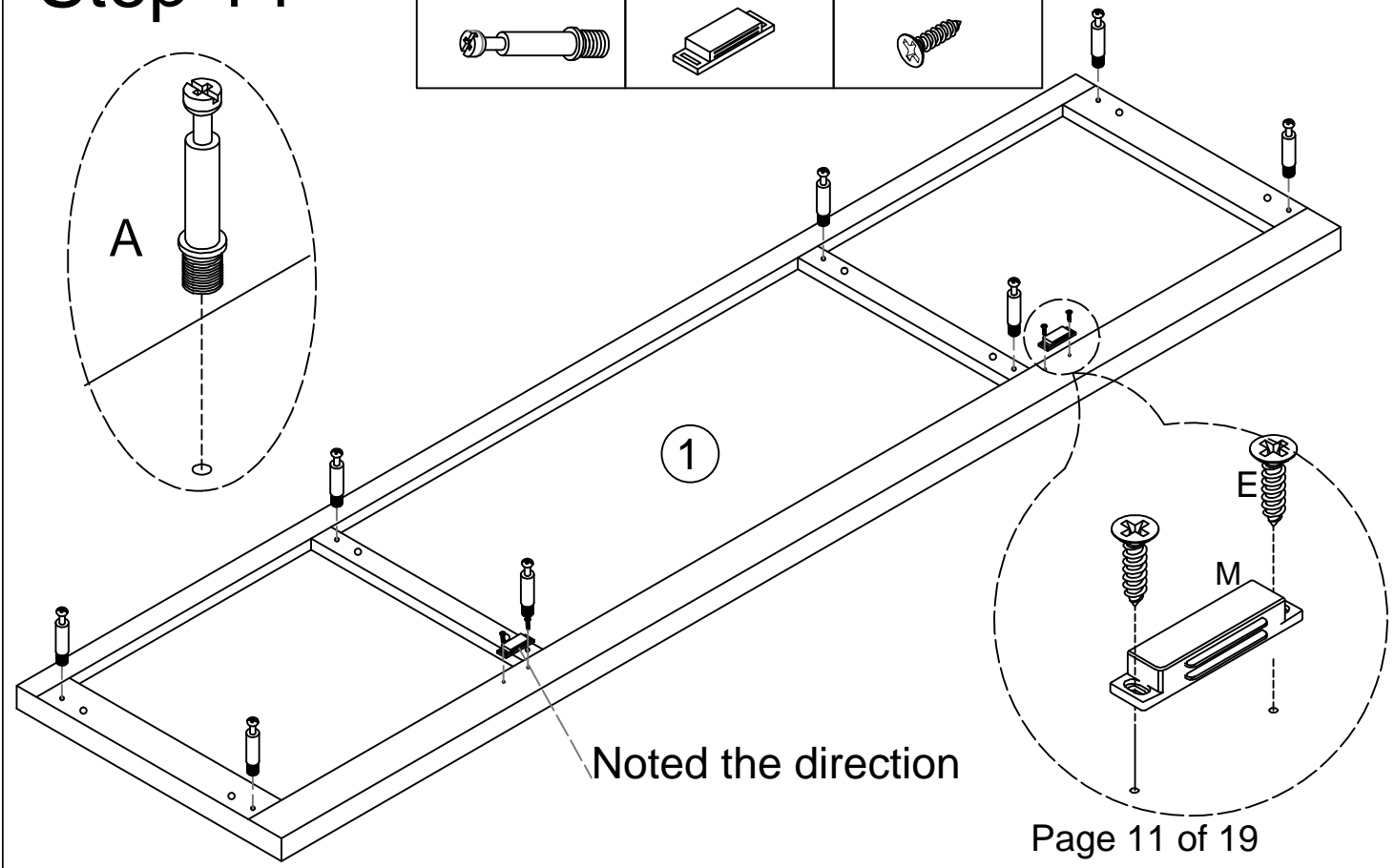
# Step 14



- (A) x 8pcs 
- (M) x 2pcs 
- (E) x 4pcs 

A

1

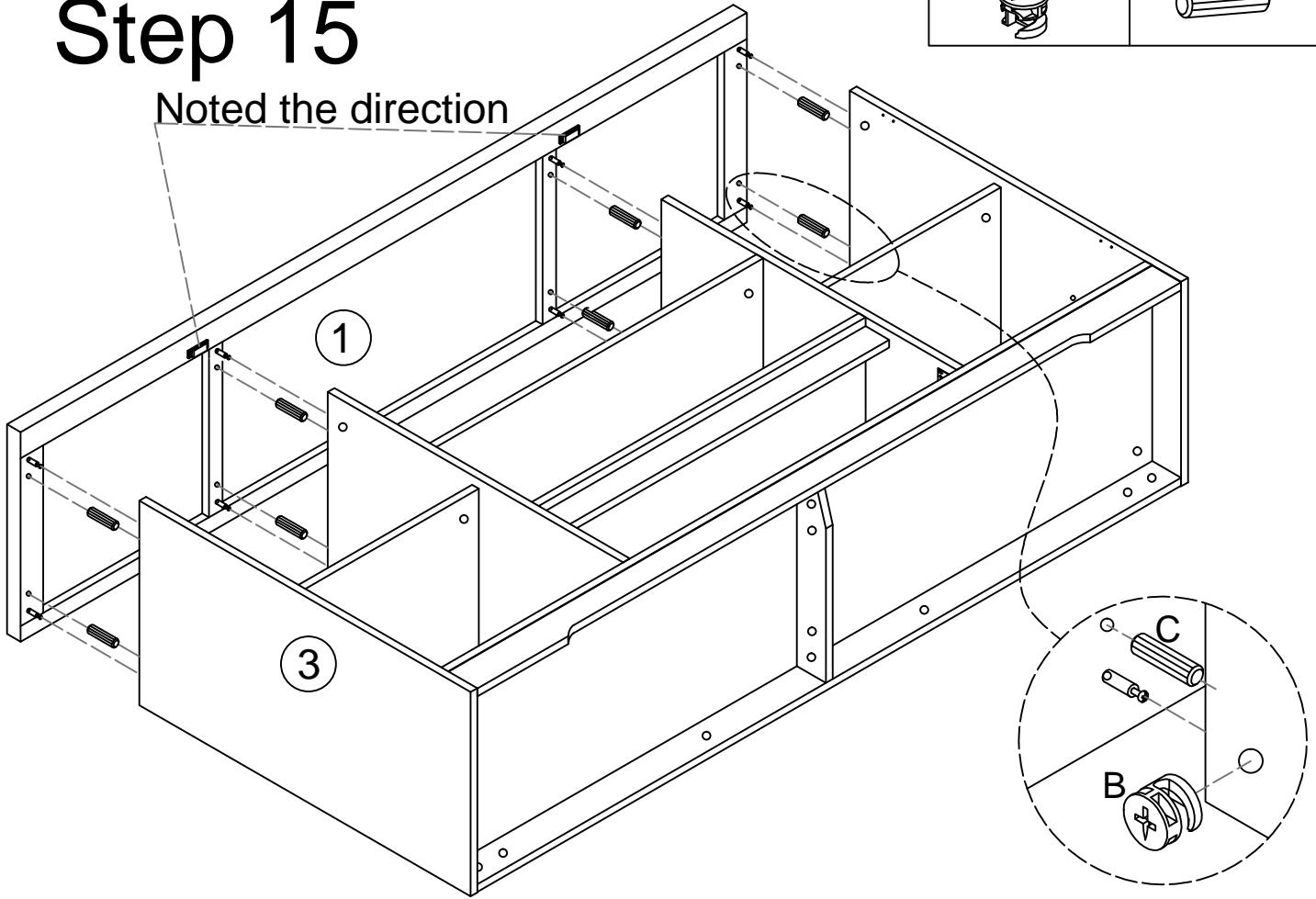
Noted the direction



(B) x 8pcs 	(C) x 8pcs 
---	---


# Step 15

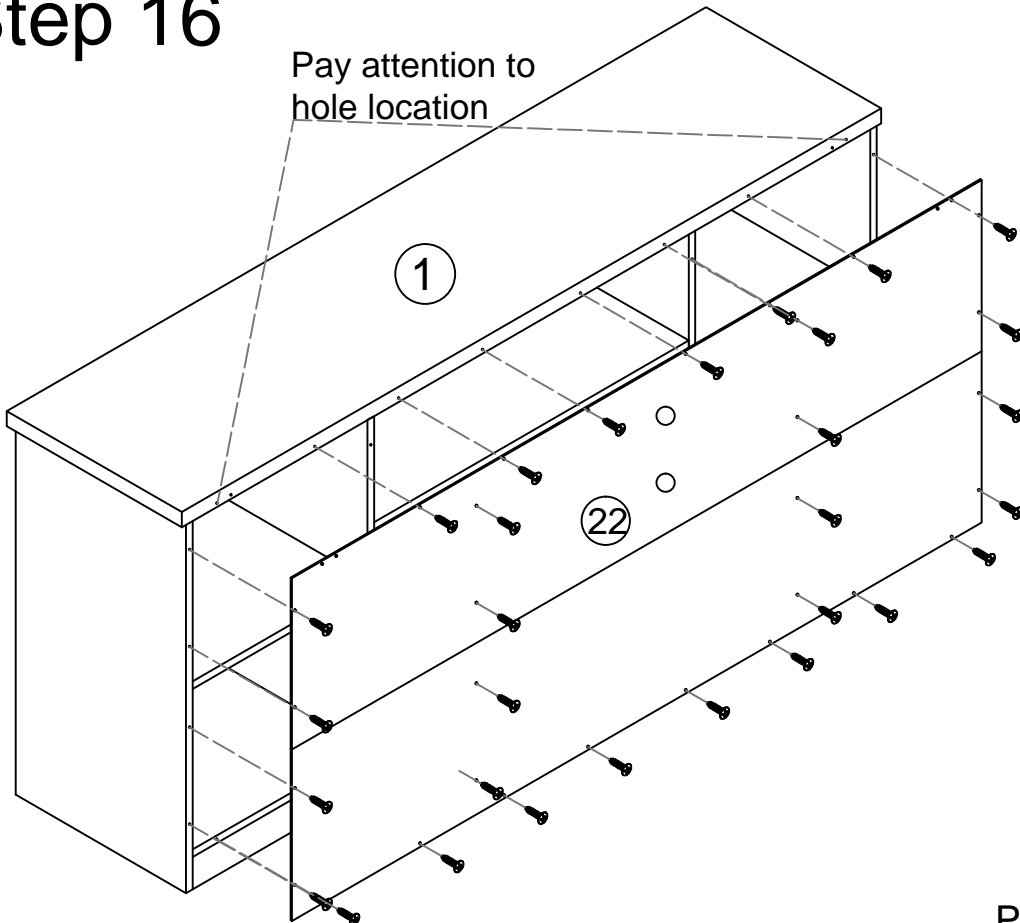
Noted the direction






# Step 16

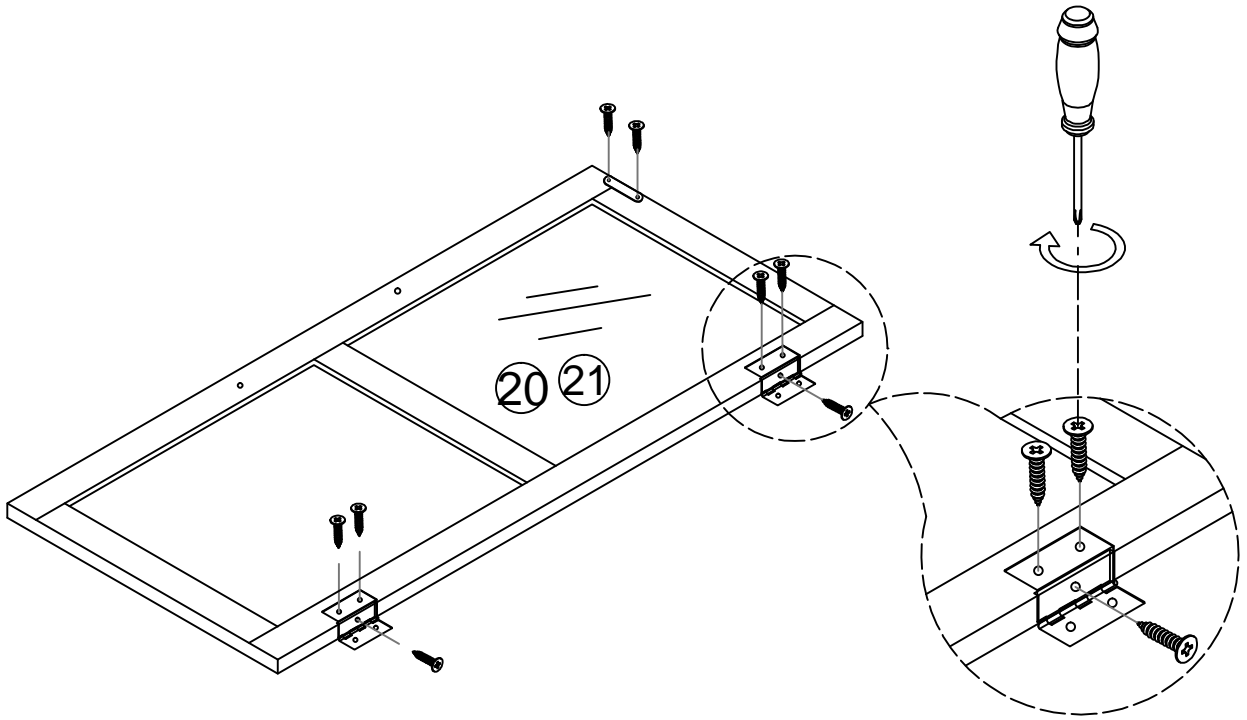
Pay attention to hole location

(L) x 30pcs 
--

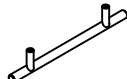



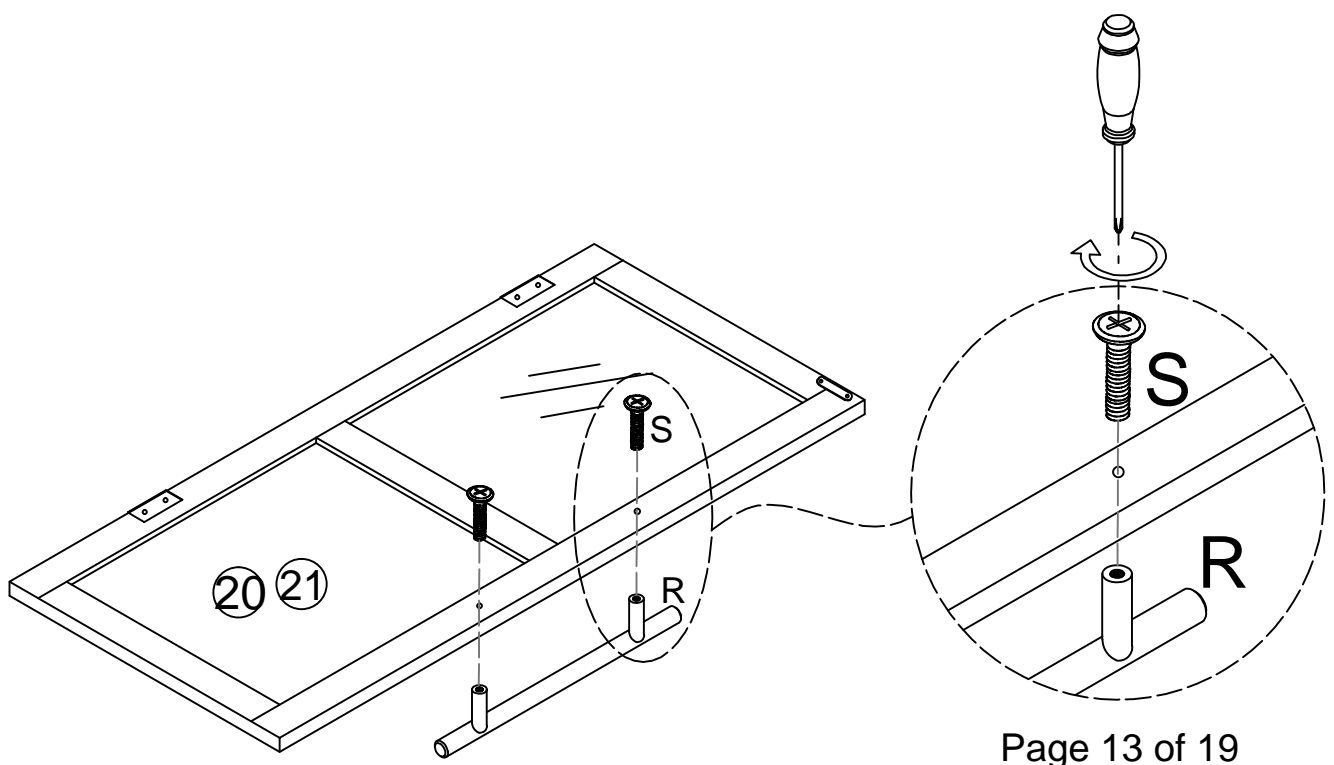
# Step 17

<b>H</b> x 4pcs 	<b>N</b> x 2pcs 	<b>E</b> x 16pcs 
--	--	---




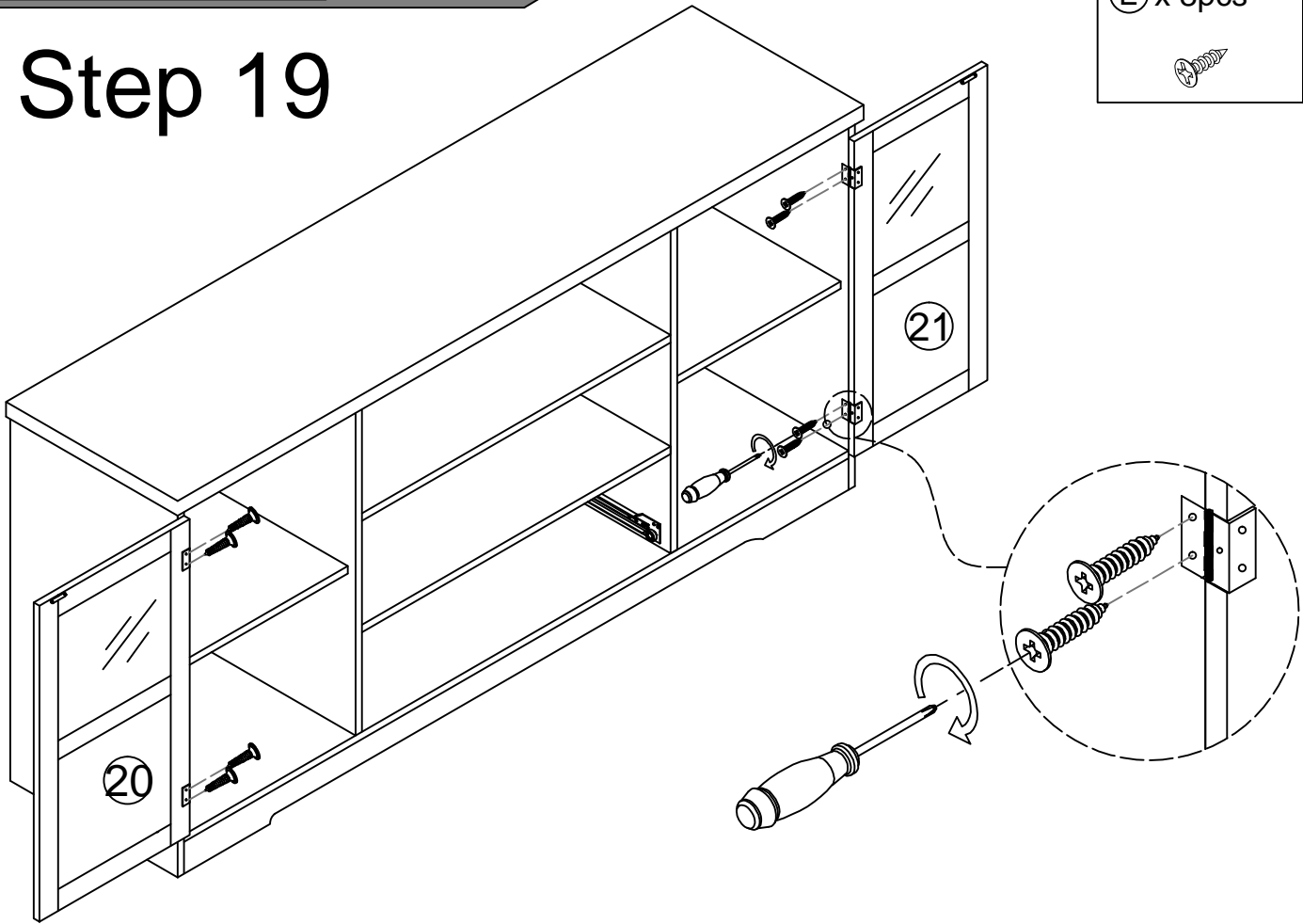
# Step 18

<b>R</b> x 2pcs 	<b>S</b> x 4pcs 
--	--

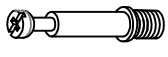


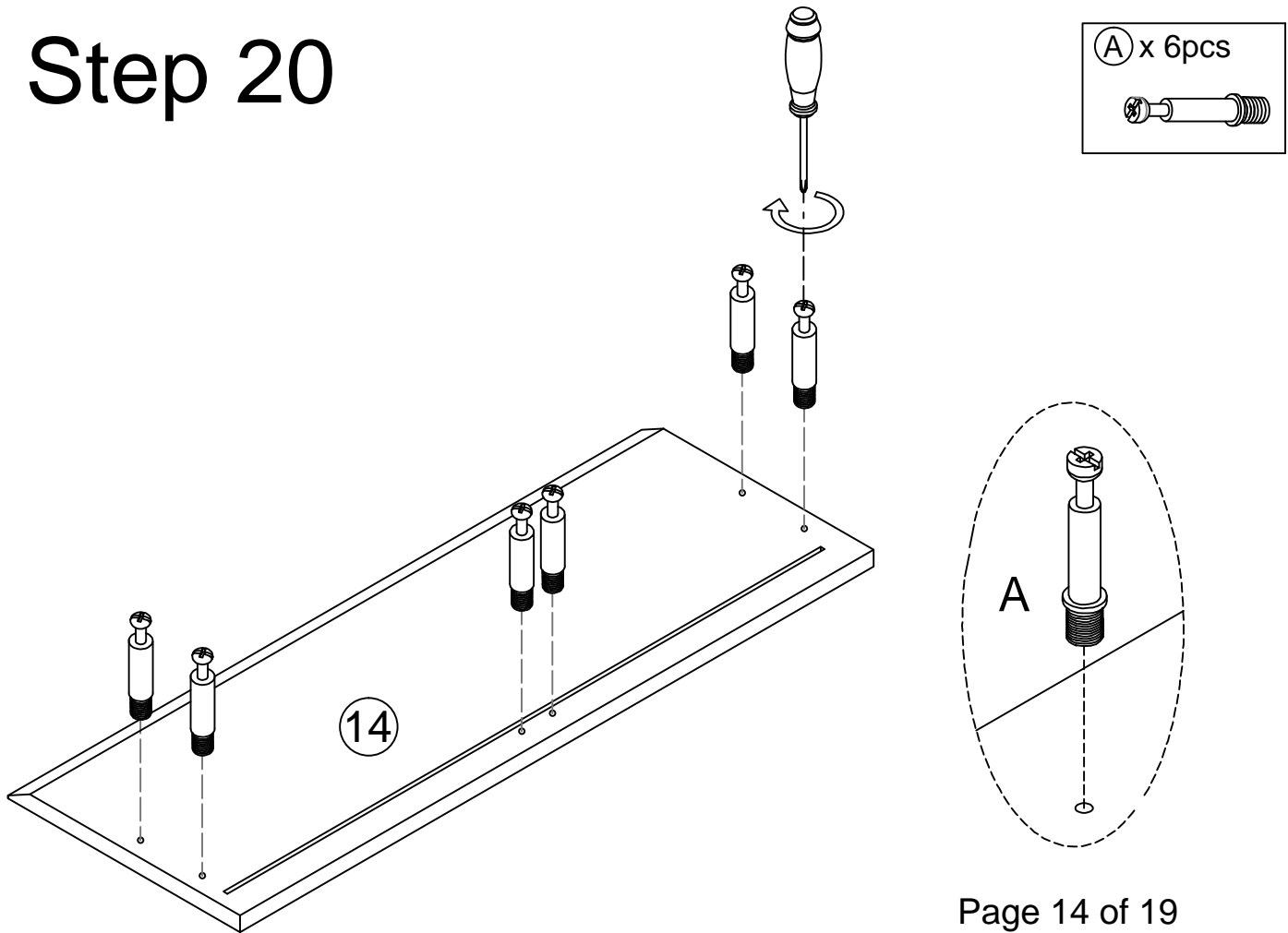
# Step 19


(E) x 8pcs  




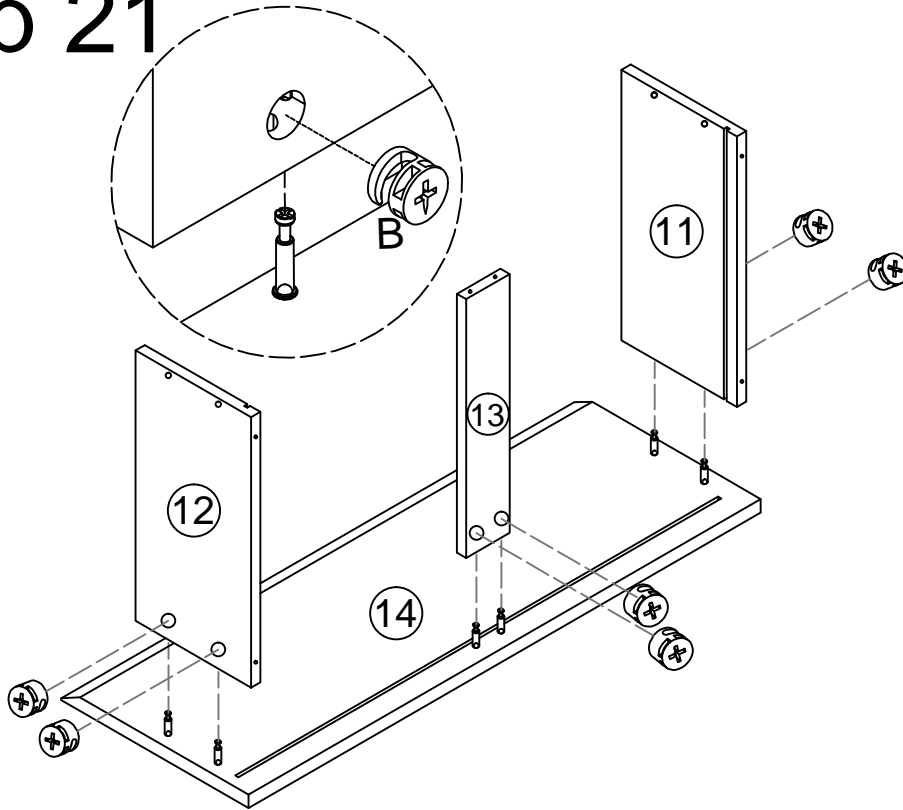
# Step 20

(A) x 6pcs  


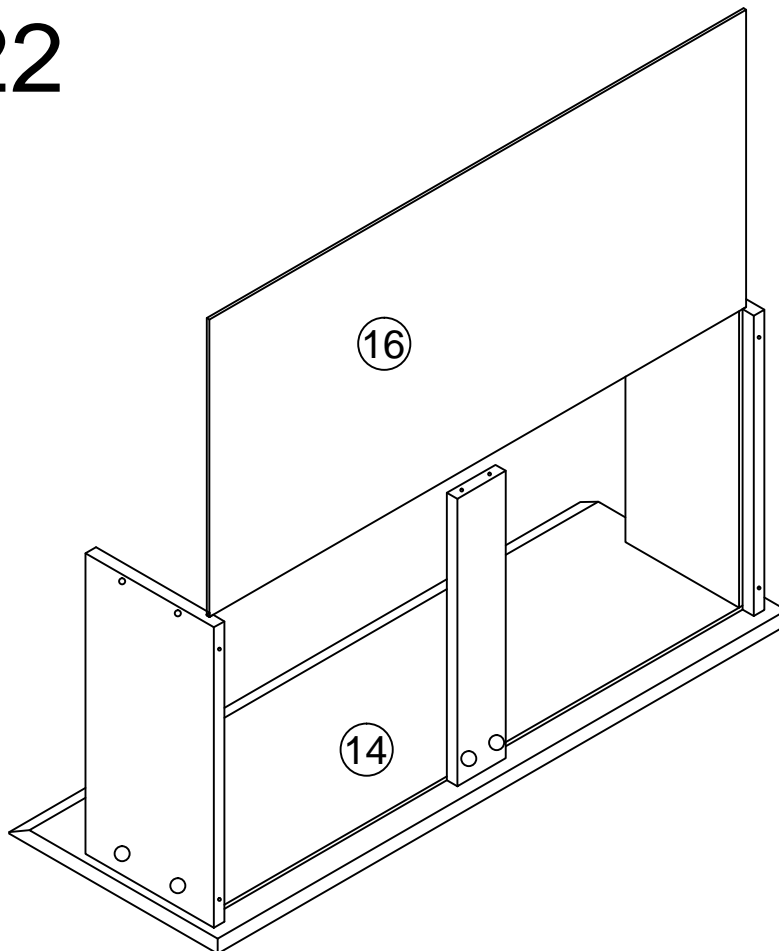


ⓑ x 6pcs  


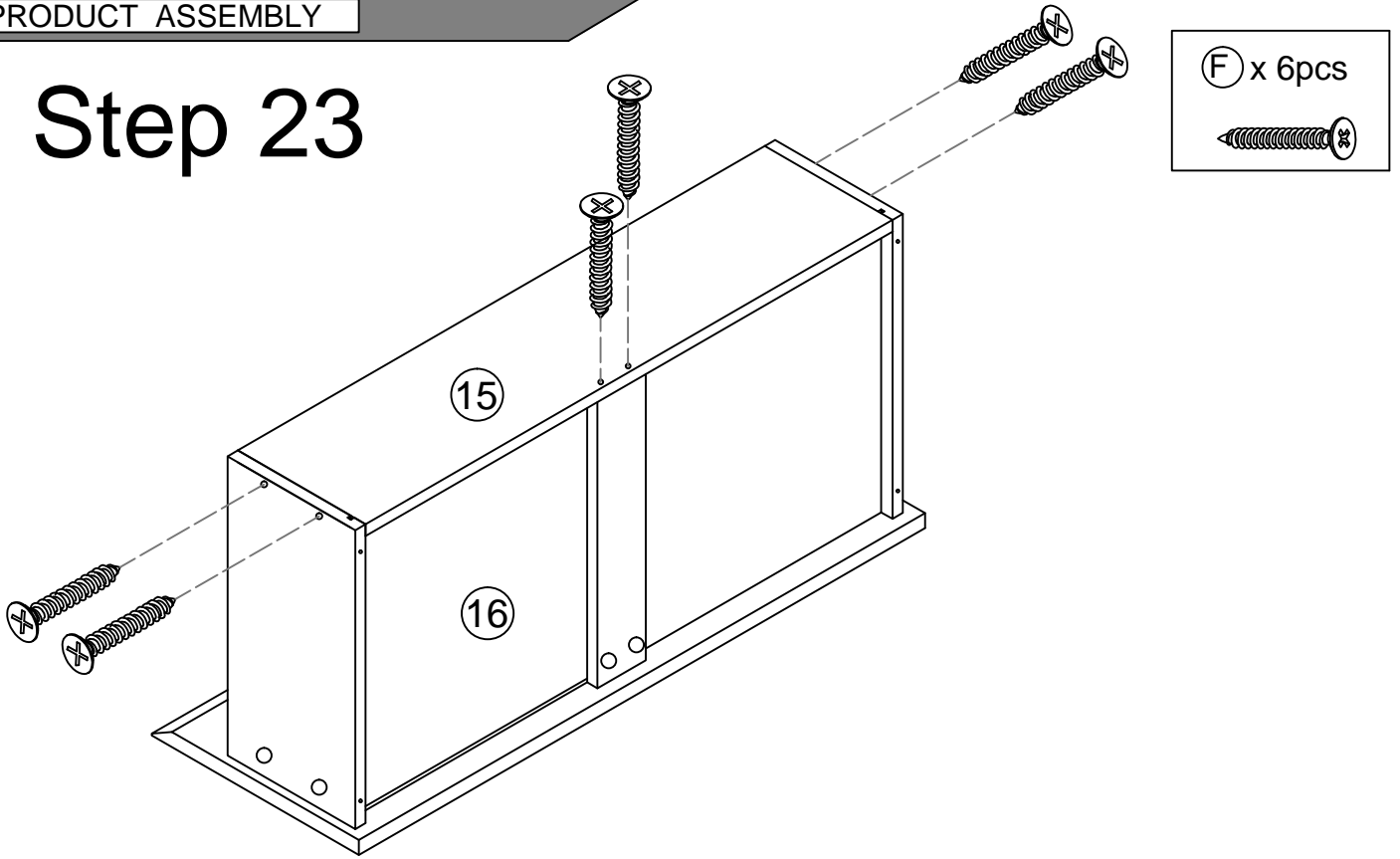
# Step 21



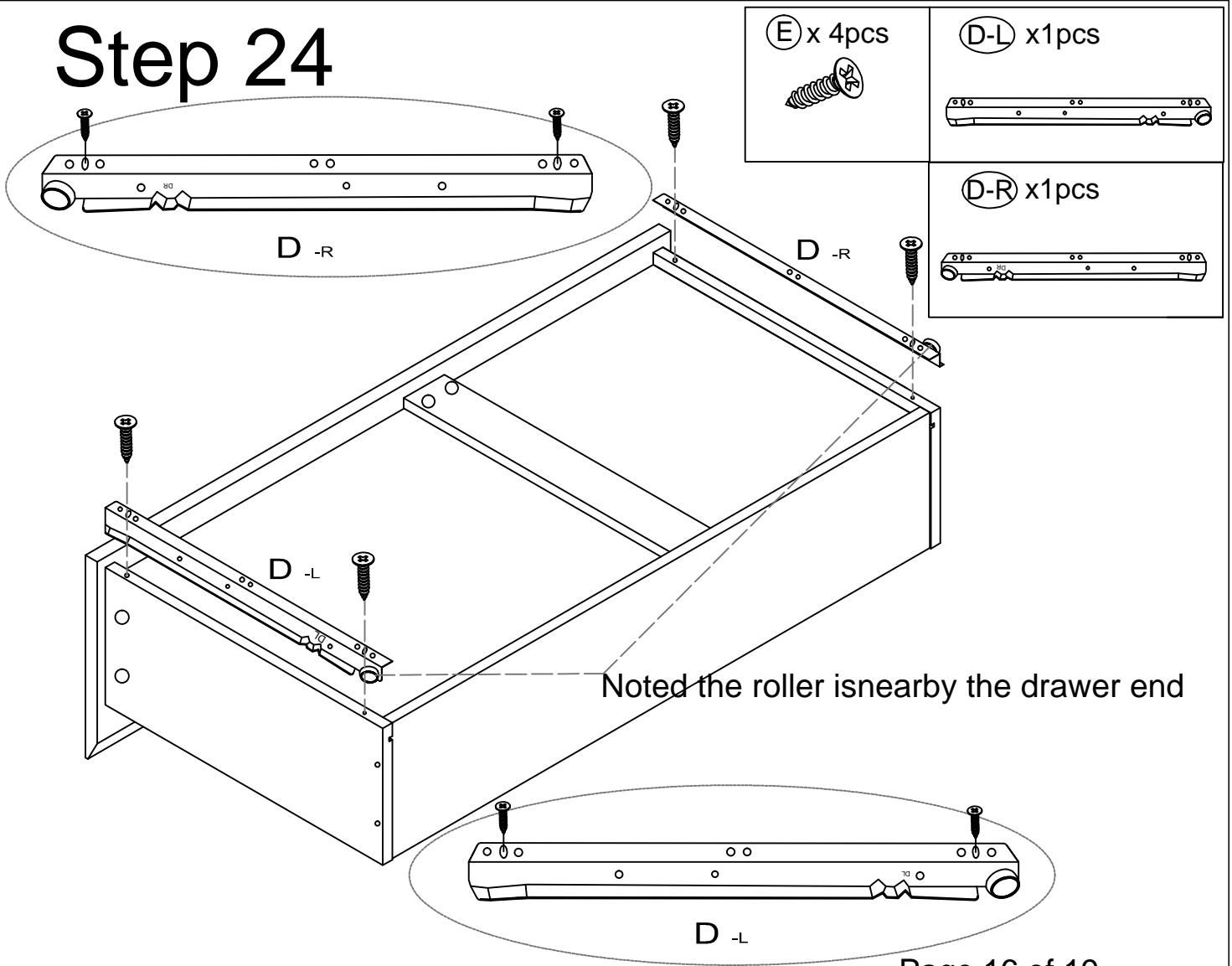
# Step 22



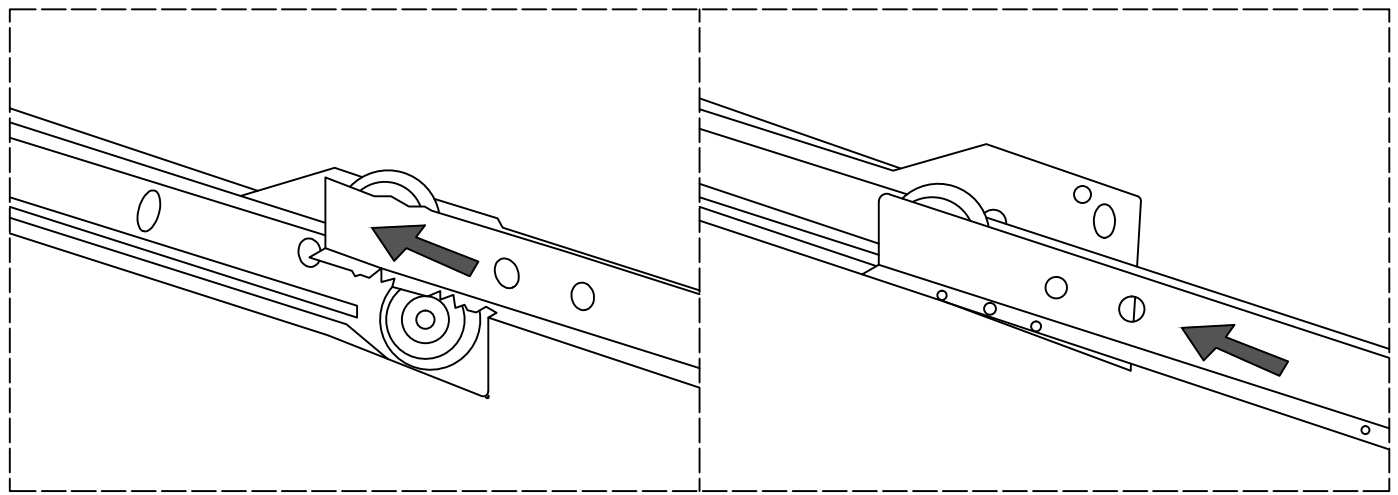
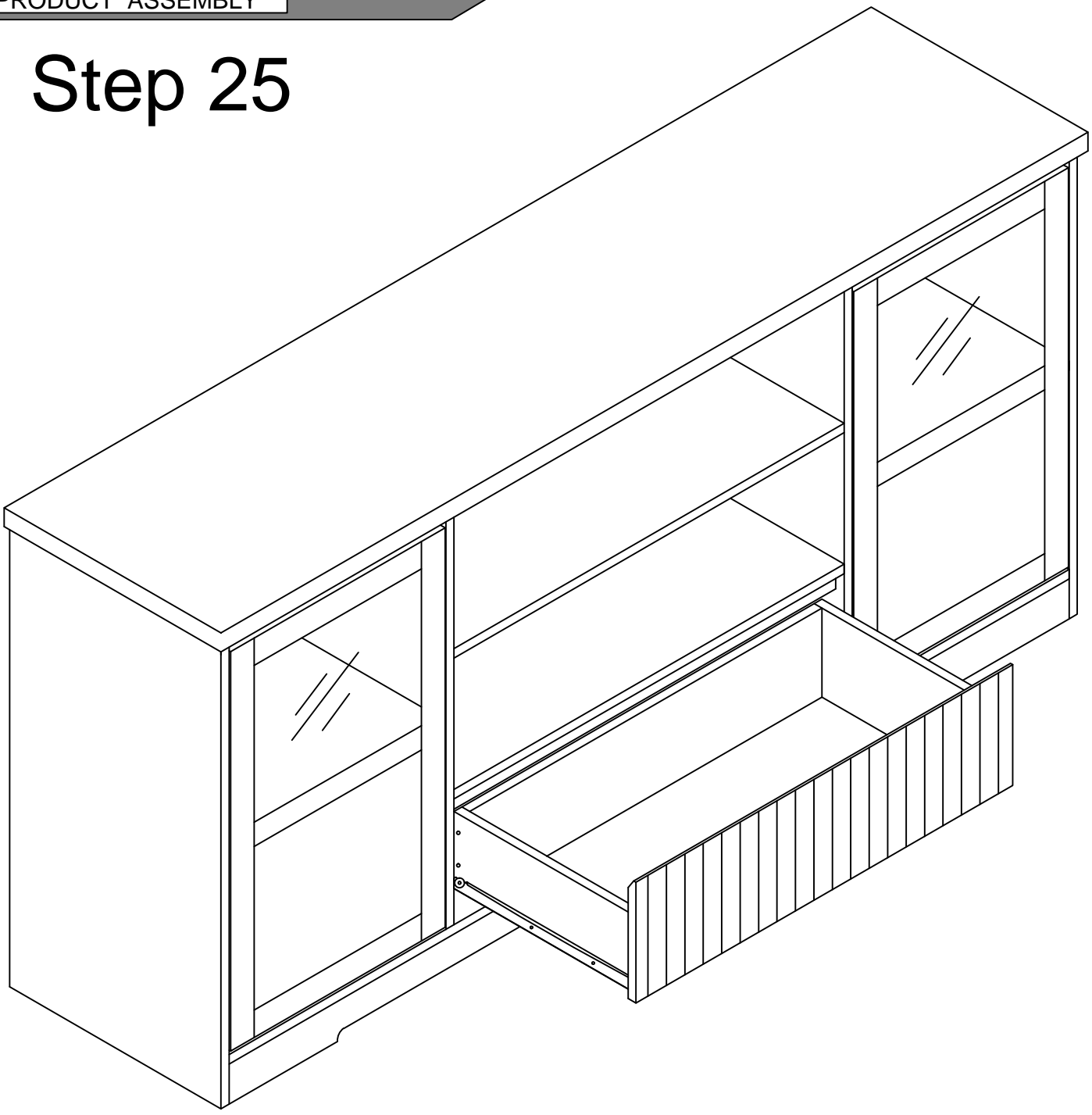
# Step 23



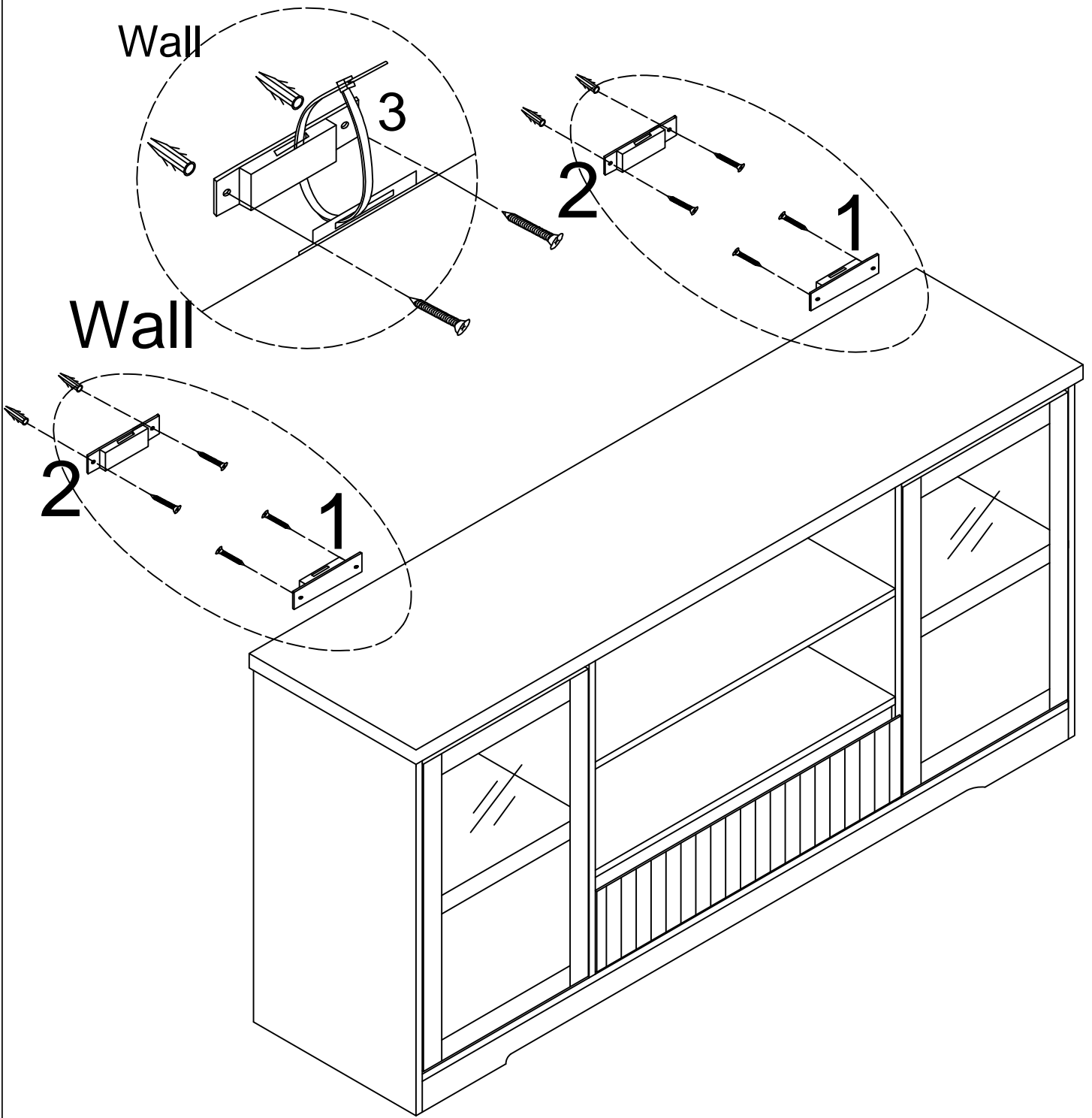
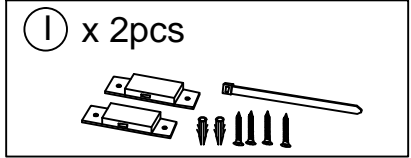
# Step 24



# Step 25



# Step 26



Dear customer, thank you for purchasing Idealhouse products! We are proud to present our customers with high quality products!



If you have any product quality or use problems, please contact our customer service by email, we will ensure your satisfaction.



If you are satisfied with our products, please share your amazing experience with us and other customers! It would be our honor to hear from you!