










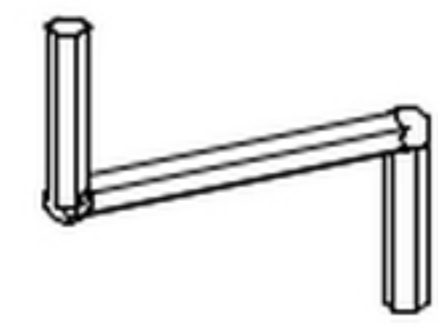




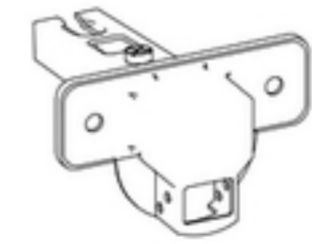






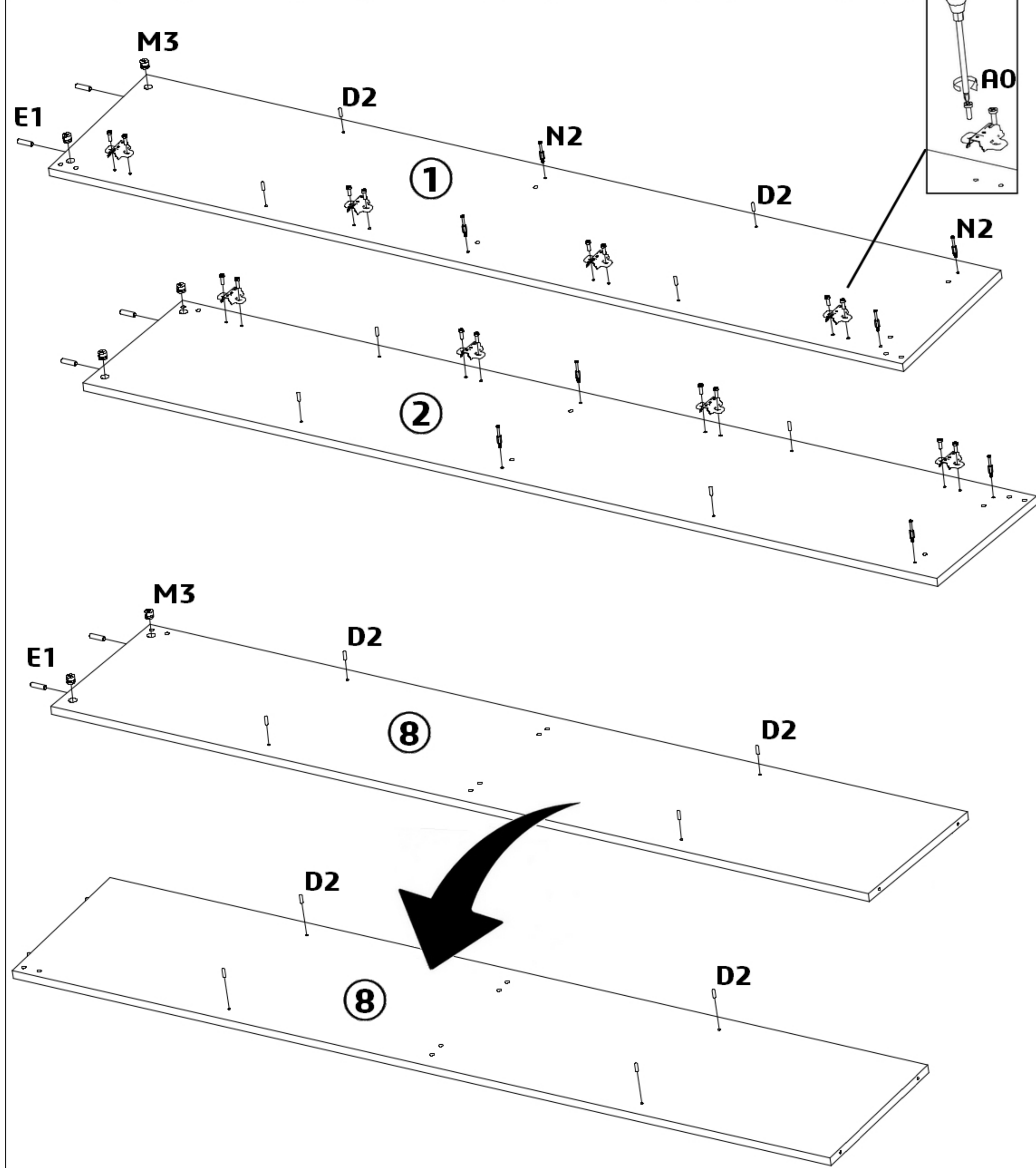


N2  20,3 x 14	M3  x 18	D2  x 16	F2  x 2	S1  3,5x16 x 16	E1  8x30 x 22	S7  2,5x20 x 8	A0  ZP x 8	N3  x 2
T1  x 5	Z2  x 80	K1  x 1	M2  GLUE x 1	M2  x 14	E3  8x50 x 4	S7  x 1	A1  ZP x 8	Z4  x 8


1	x 1
2	x 1
3	x 1
4	x 2
5	x 1
6	x 2
7	x 1
8	x 1
9	x 2
10	x 4
11	x 2

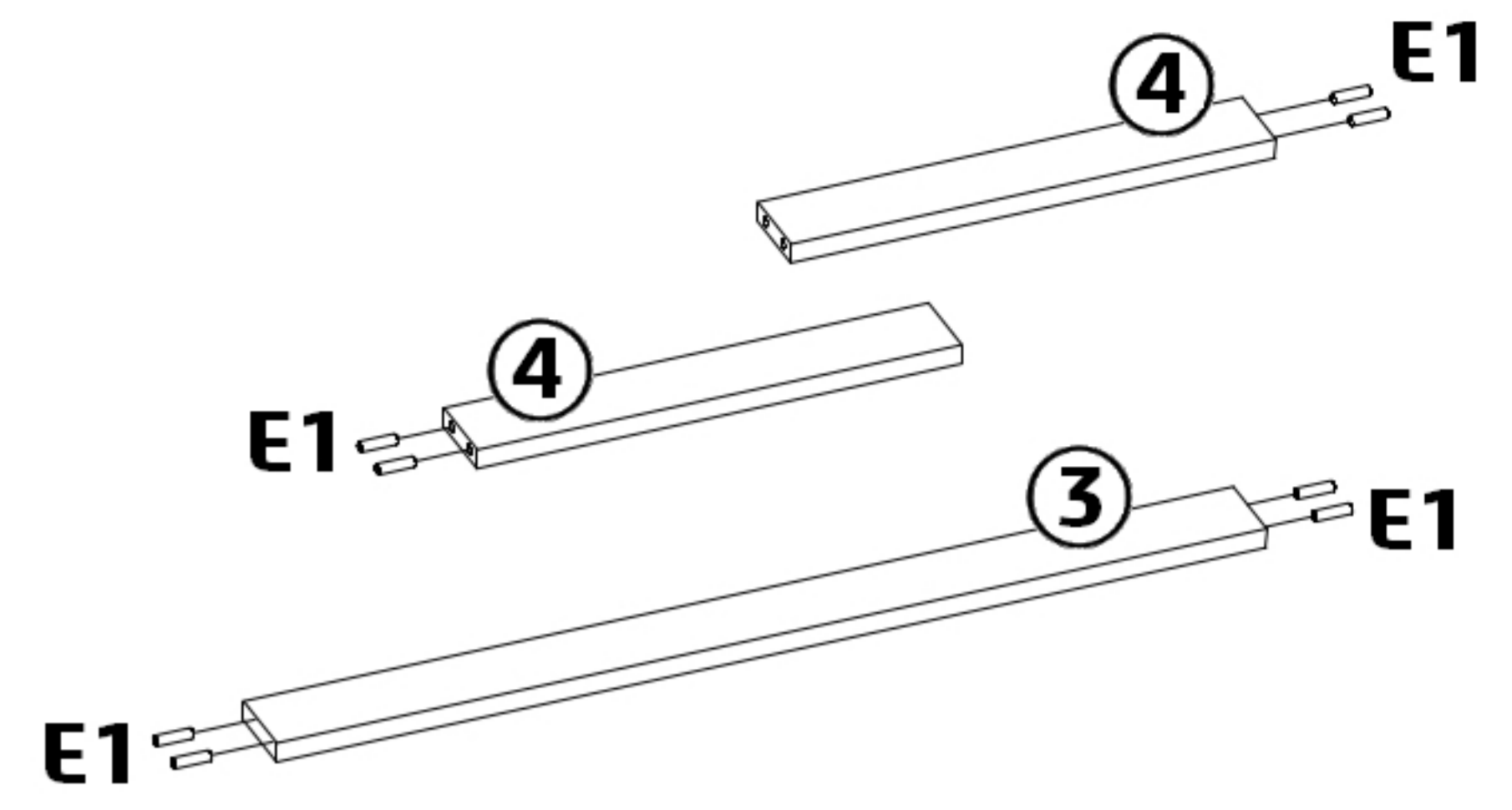
1

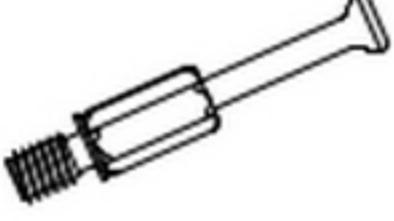
N2  20,3 x 8	M3  x 6	D2  x 16	E1  8x30 x 6	A0  x 8
--	---	--	---	---

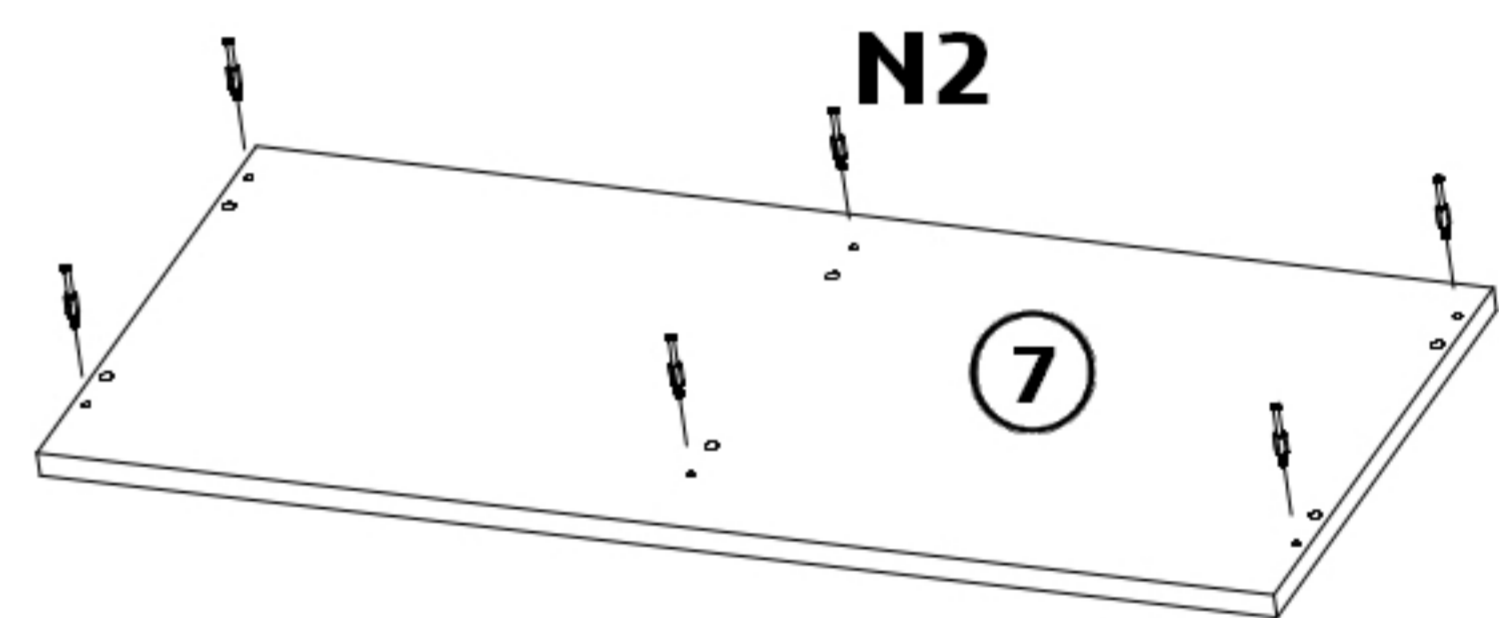




2

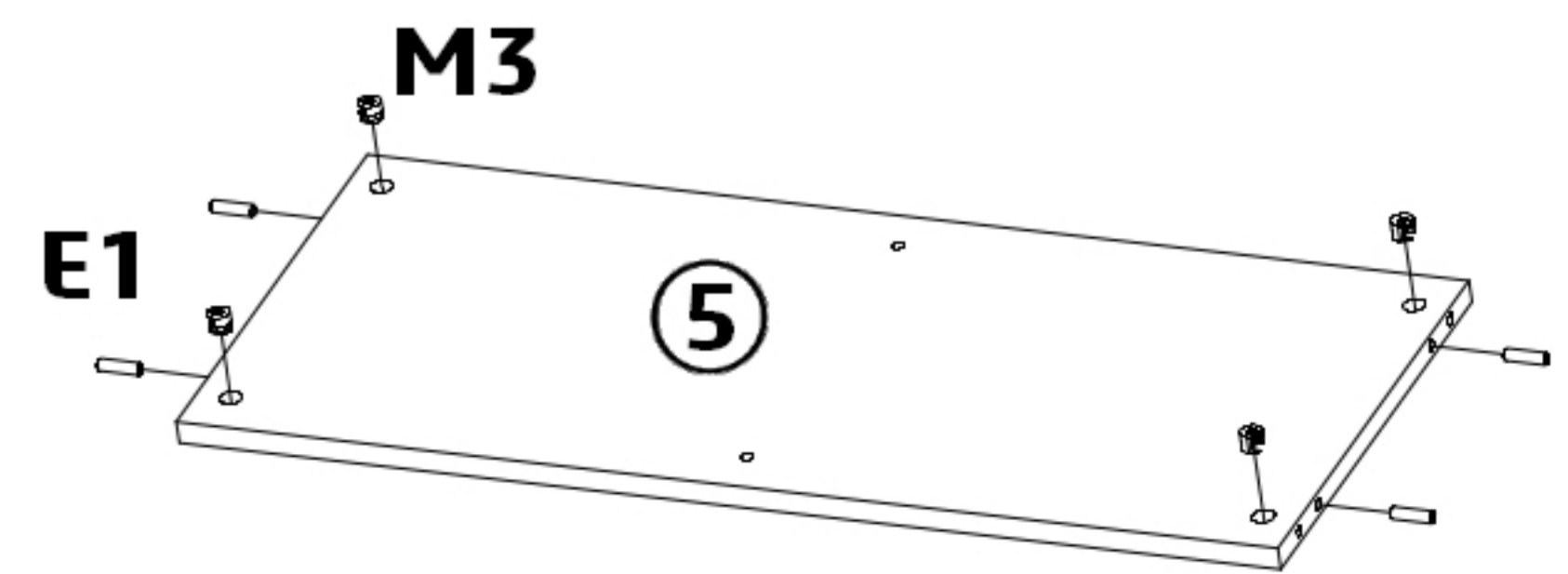
E1  8x30 x 8
--





N2  20,3 x 6
--

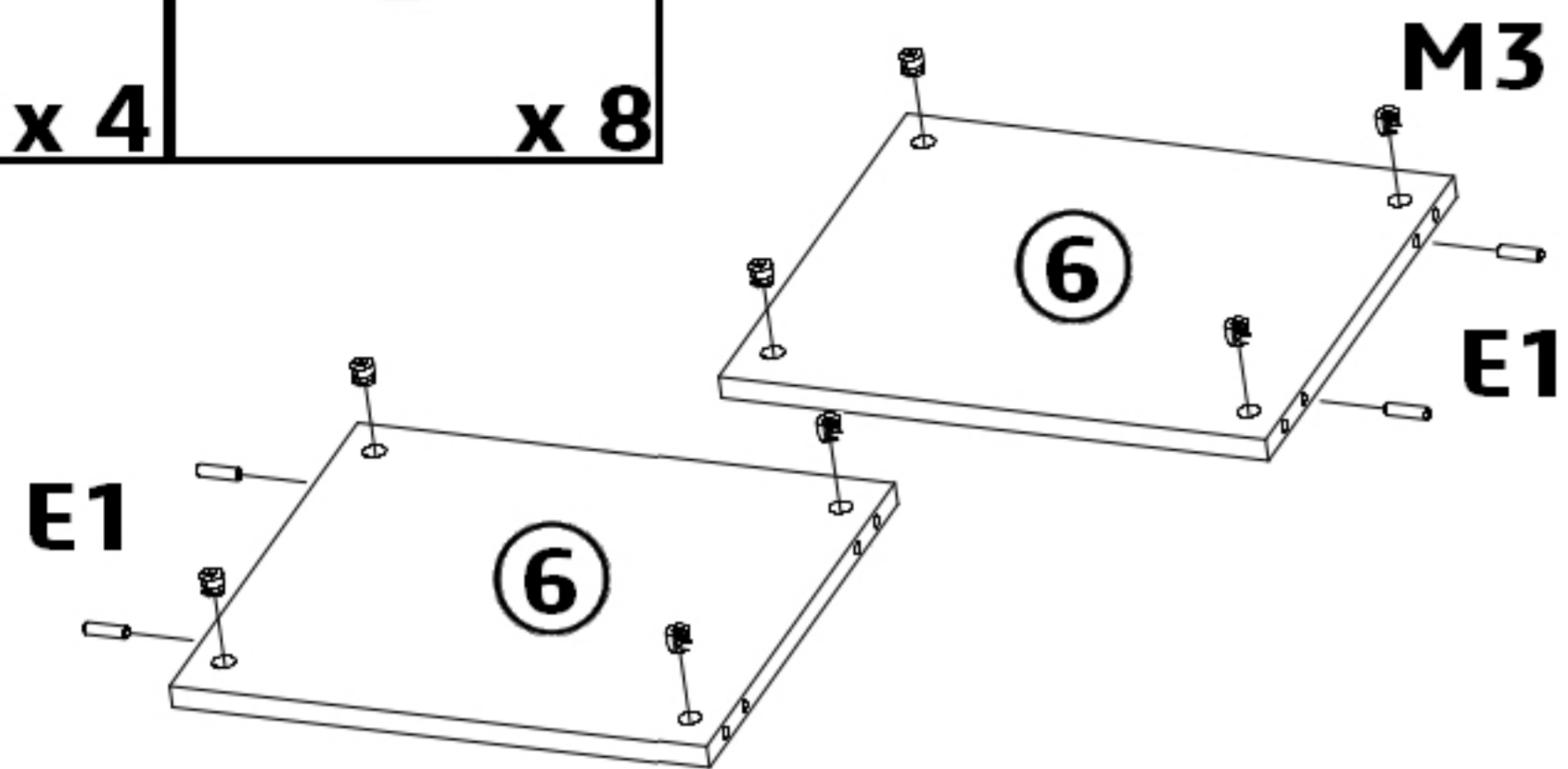


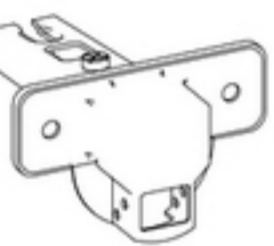

E1  8x30 x 4	M3  x 4
--	---

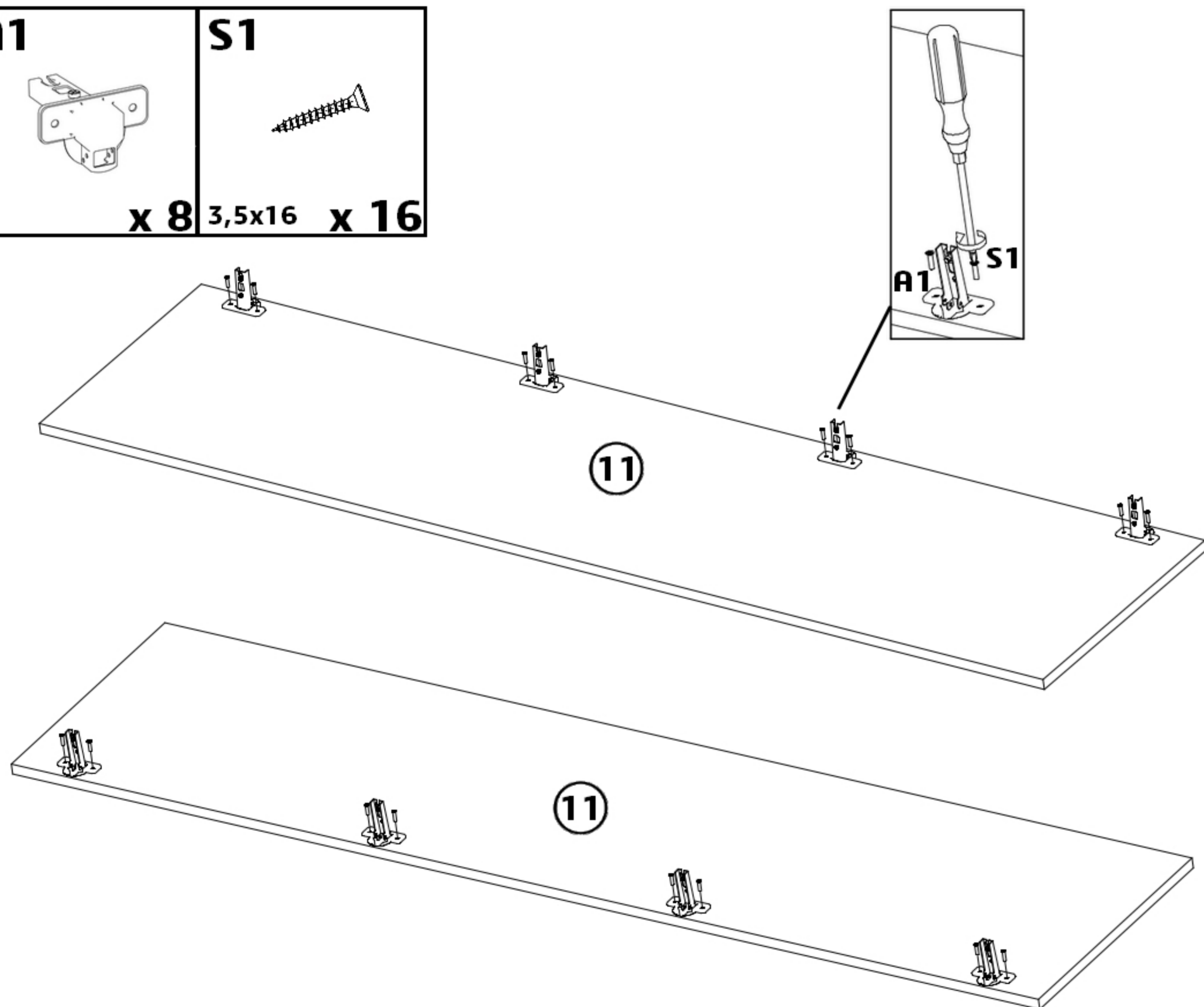


3




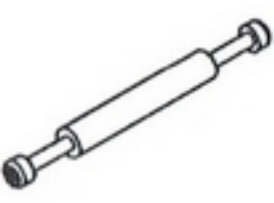

E1  8x30 x 4	M3  x 8
--	---

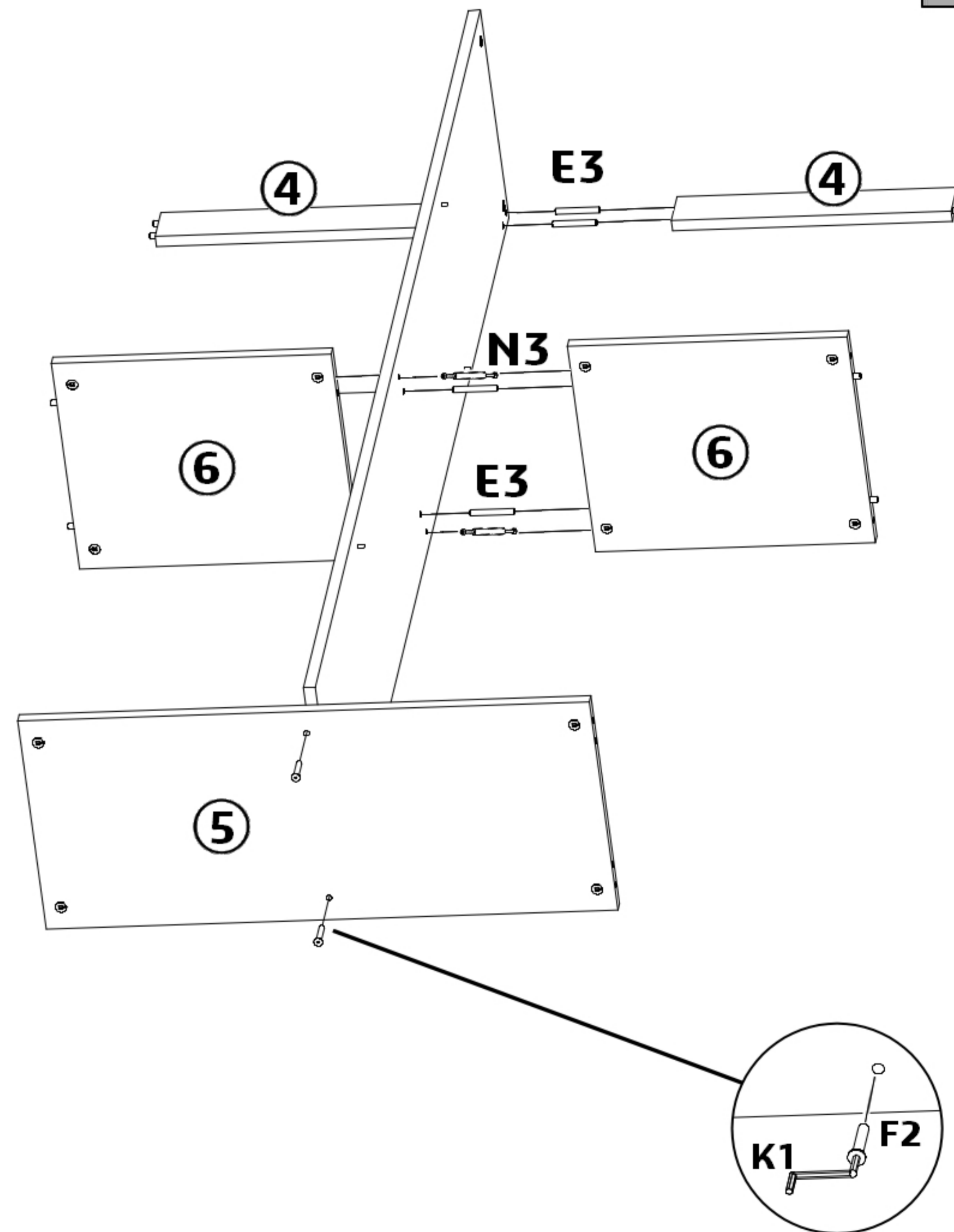
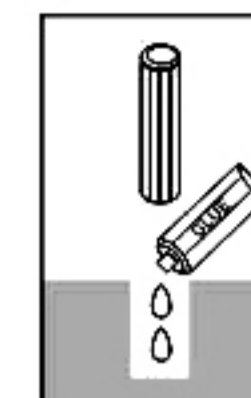


A1  x 8	S1  3,5x16 x 16
---	---



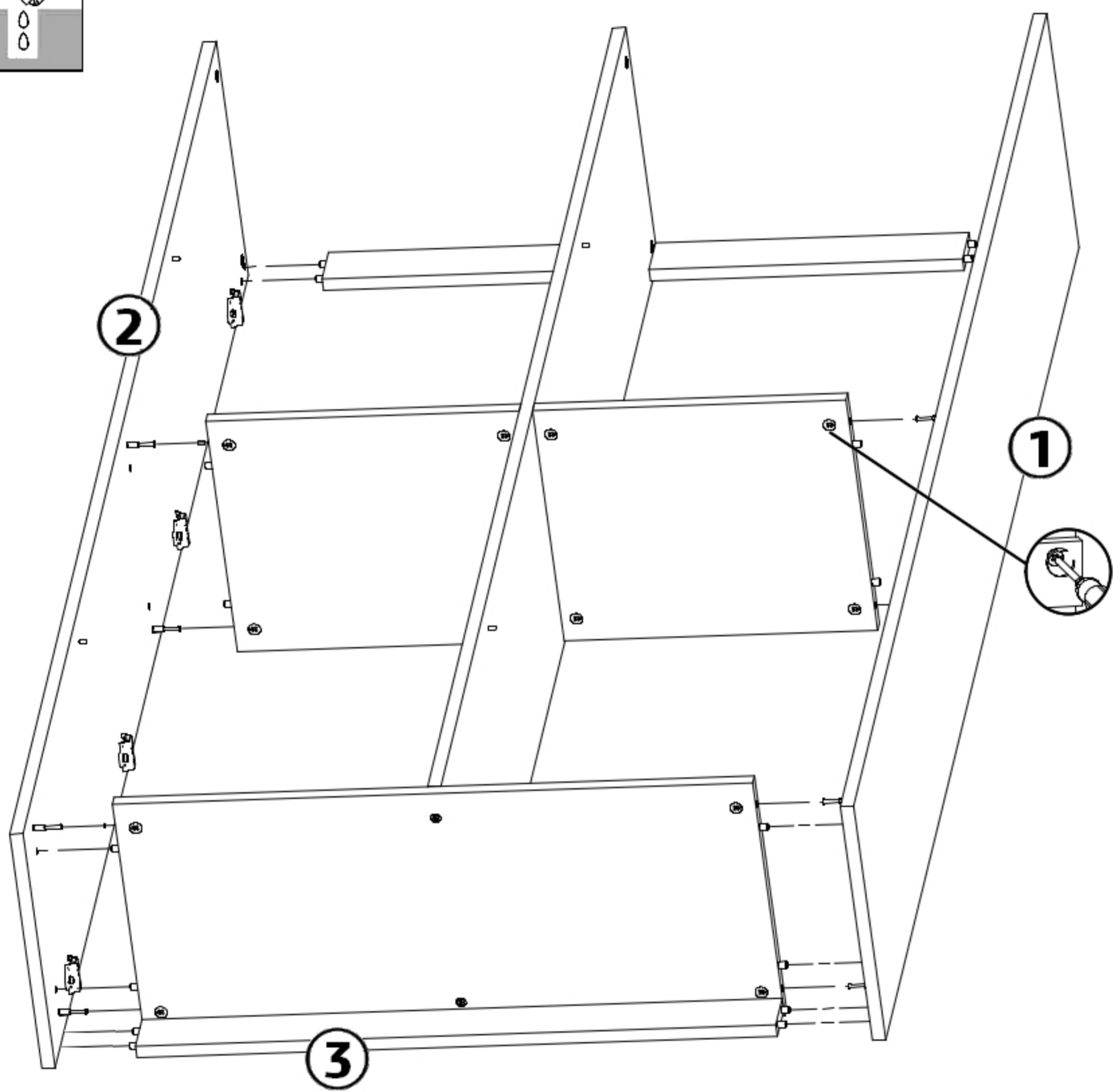
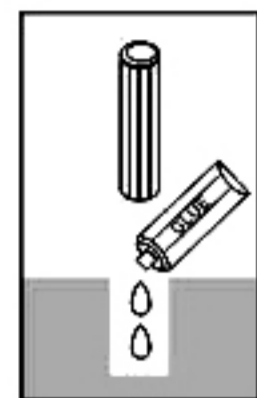
4

F2  x 2	K1  x 1	E3  8x50 x 4	N3  x 2	
---	---	--	---	---

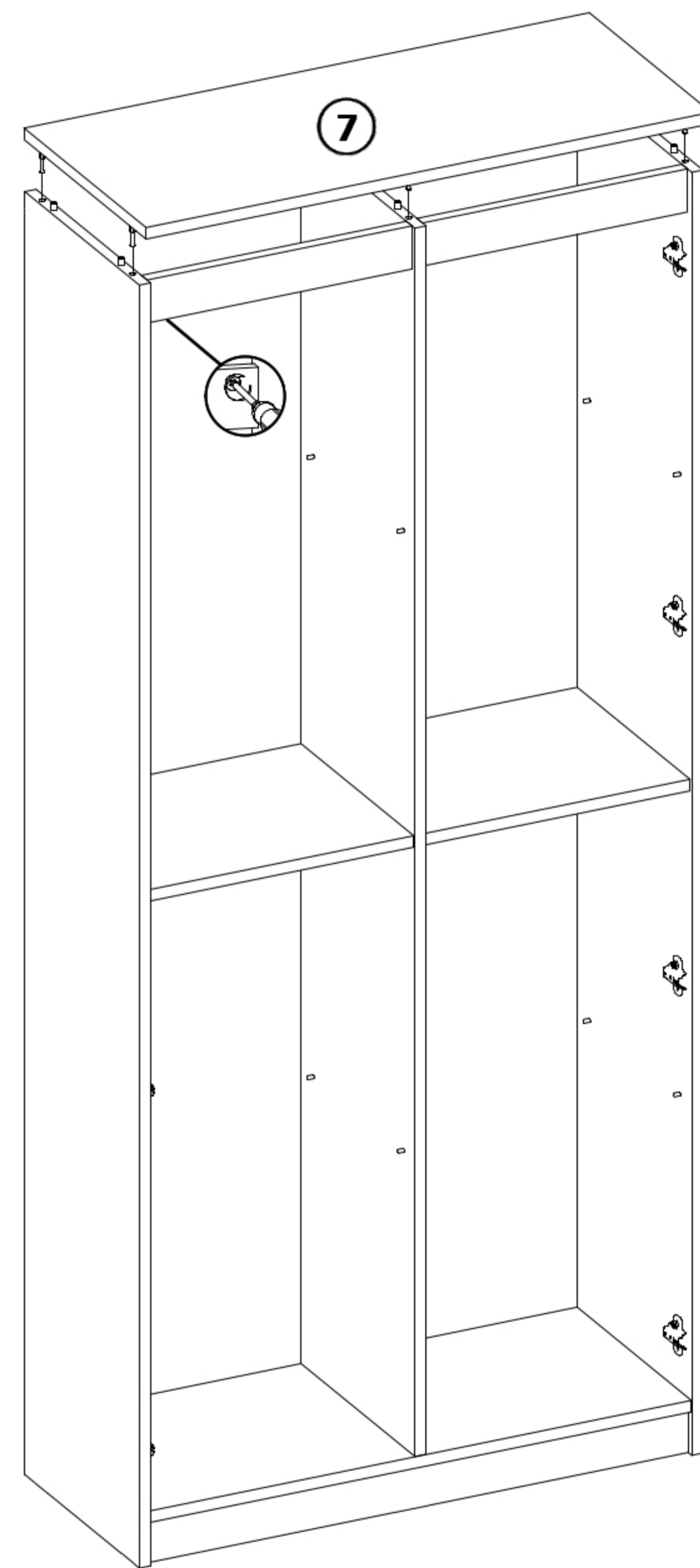


5





GLUE

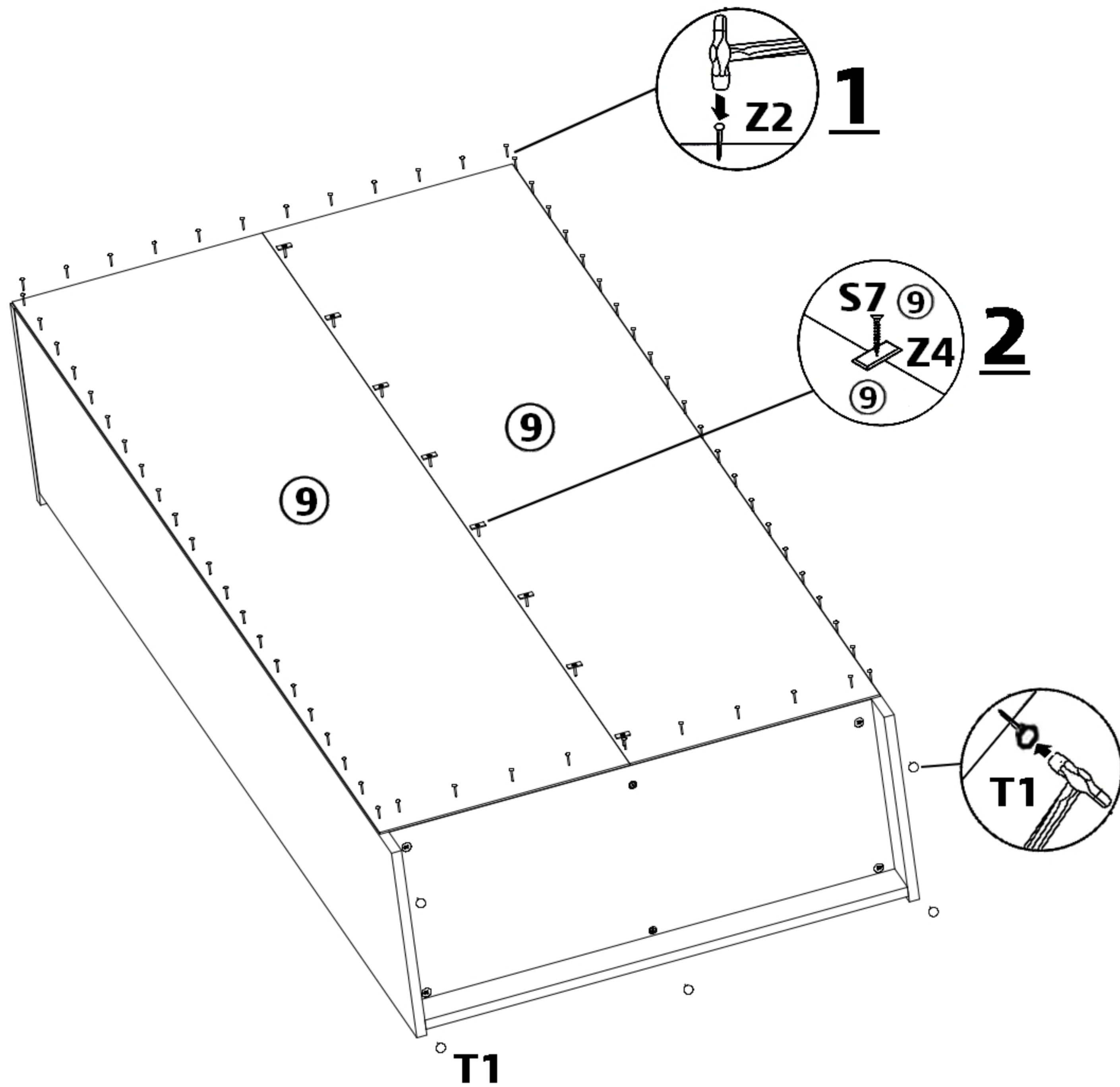


6

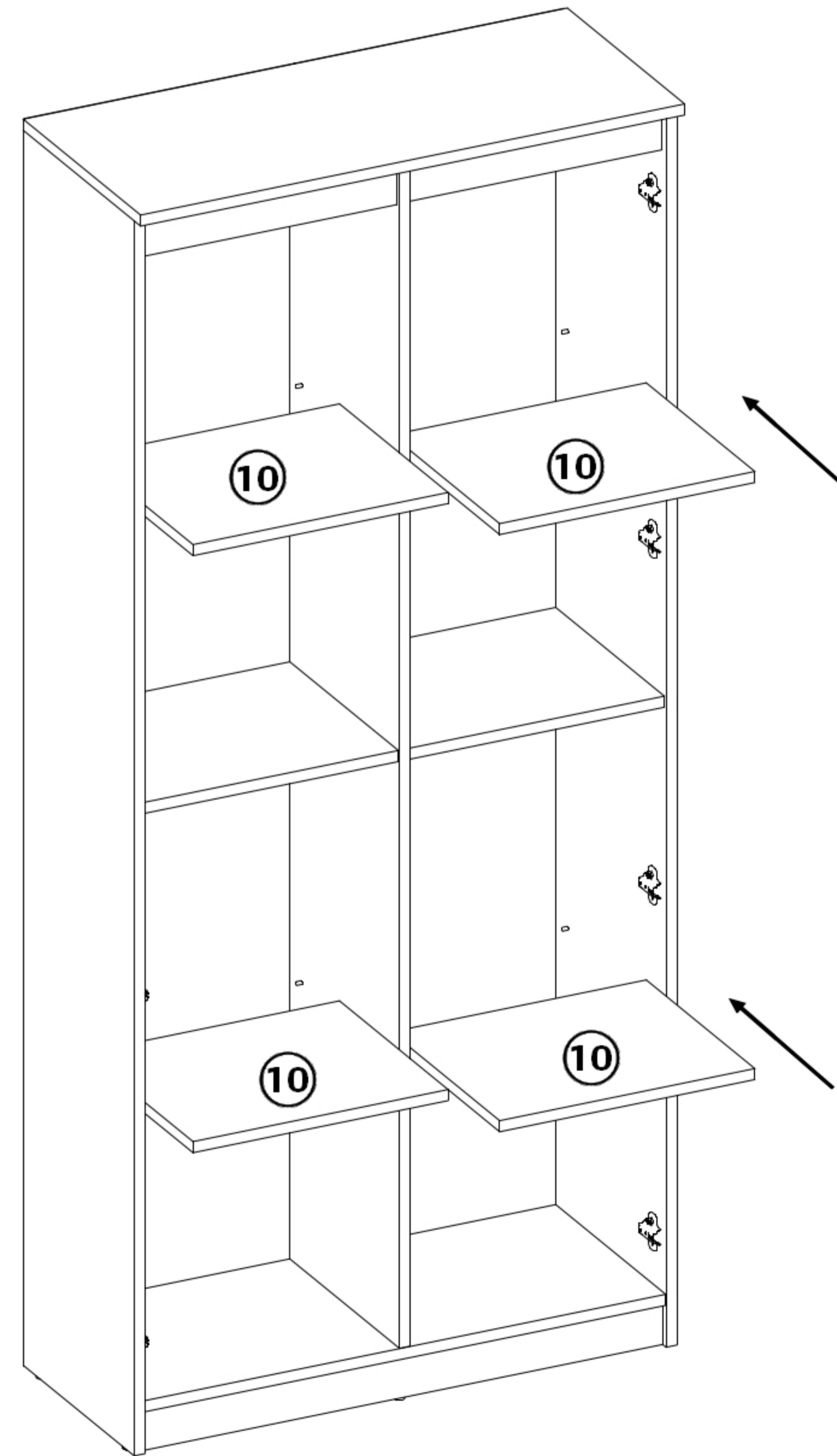


7

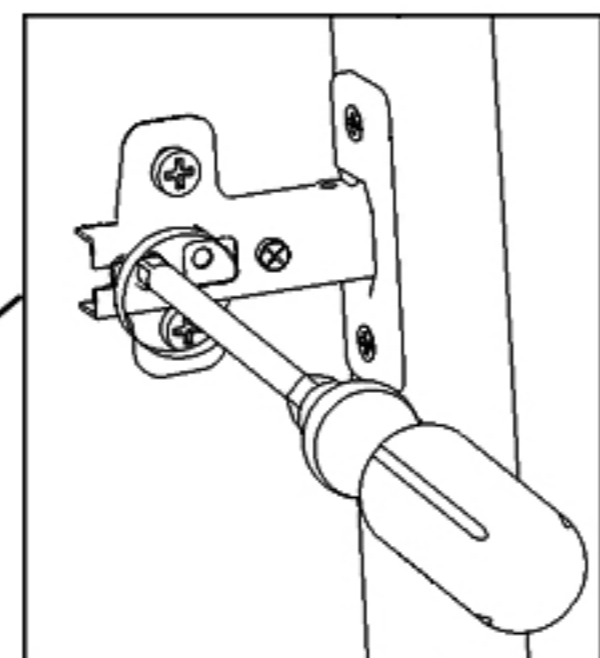
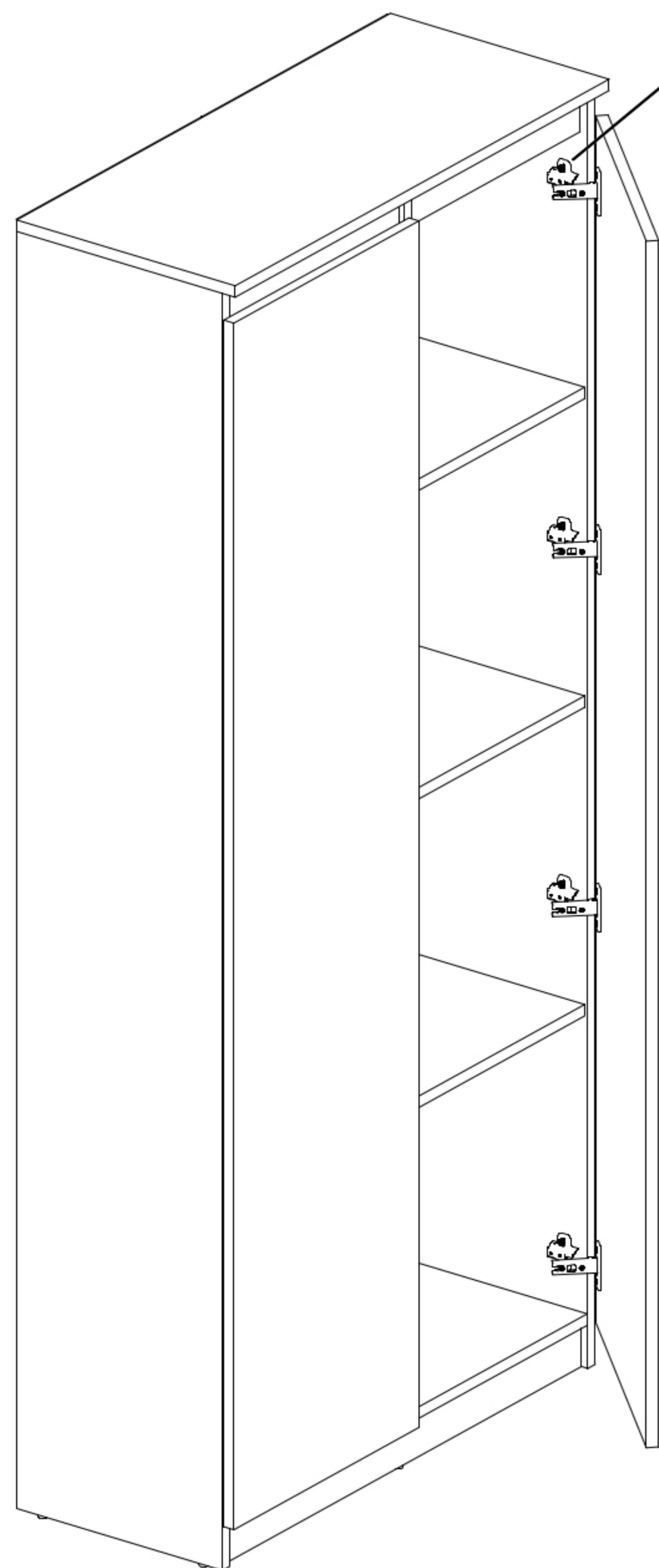
T1  x 5	Z2  x 80	S7  2,5x20	Z4  x 8
--	---	---	---



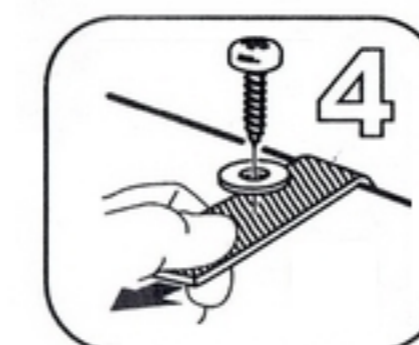
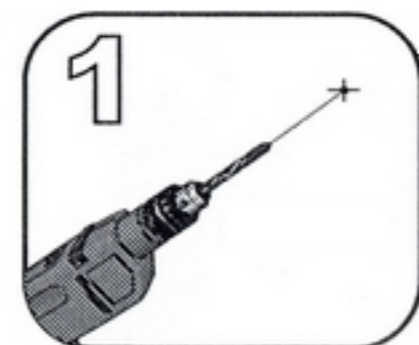
8



9



x 1

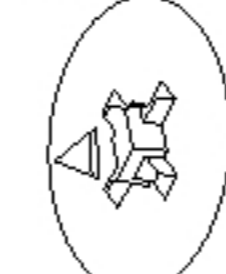


M2



x 14

M3



M2



10

