

Assembly Manual





Color is only for reference



Component detail list

Parts	Size	Qty	S/N	Box
	φ8-10*60cm	1	①	1/1
	φ8-10*40cm	1	②	
	φ8-10*35cm	1	③	
	φ8-10*18.3cm	1	④	
	φ60cm	1	⑤	
	φ40cm	1	⑥	
	60*40cm	1	⑦	
	φ48*12cm	1	⑧	
	5cm	2	⑨	

Screw list 1:1

Size	scale	Qty	S/N	Box
φ10*80mm	1:1	2	A	1/1
				
φ10*60mm	1:1	2	B	1/1
				
φ10*40mm	1:1	2	C	1/1
				
φ35mm	1:1	4	D	1/1
				



Assembly Manual

1 step.1

Before installation, please prepare the accessories in the step box, and install them in the order of the steps.

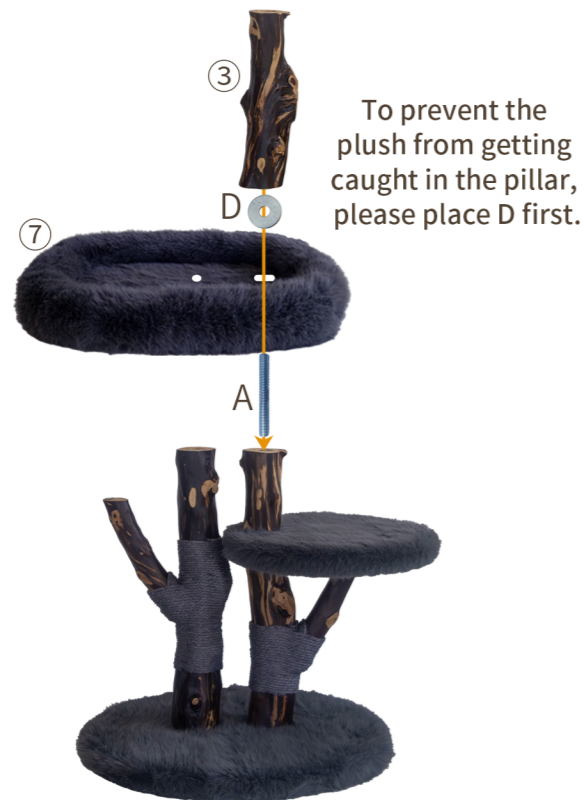


2 step.2



The wood is natural and of various shapes. The holes in the solid wood post may not be aligned during the assembly process, which need to swing the post from side to side, or loosen the screw half a circle to align, then lock all the screws. Sorry for the inconvenience and thanks for your understanding.

3 step.3



4 step.4



When installing this board, if the stripe hole cannot be aligned with the hole of lower solid wood post, try rotating the solid wood post.



5 step.5



• A  φ10*80mm

• B  φ10*60mm

• C  φ10*40mm

• D  φ35mm