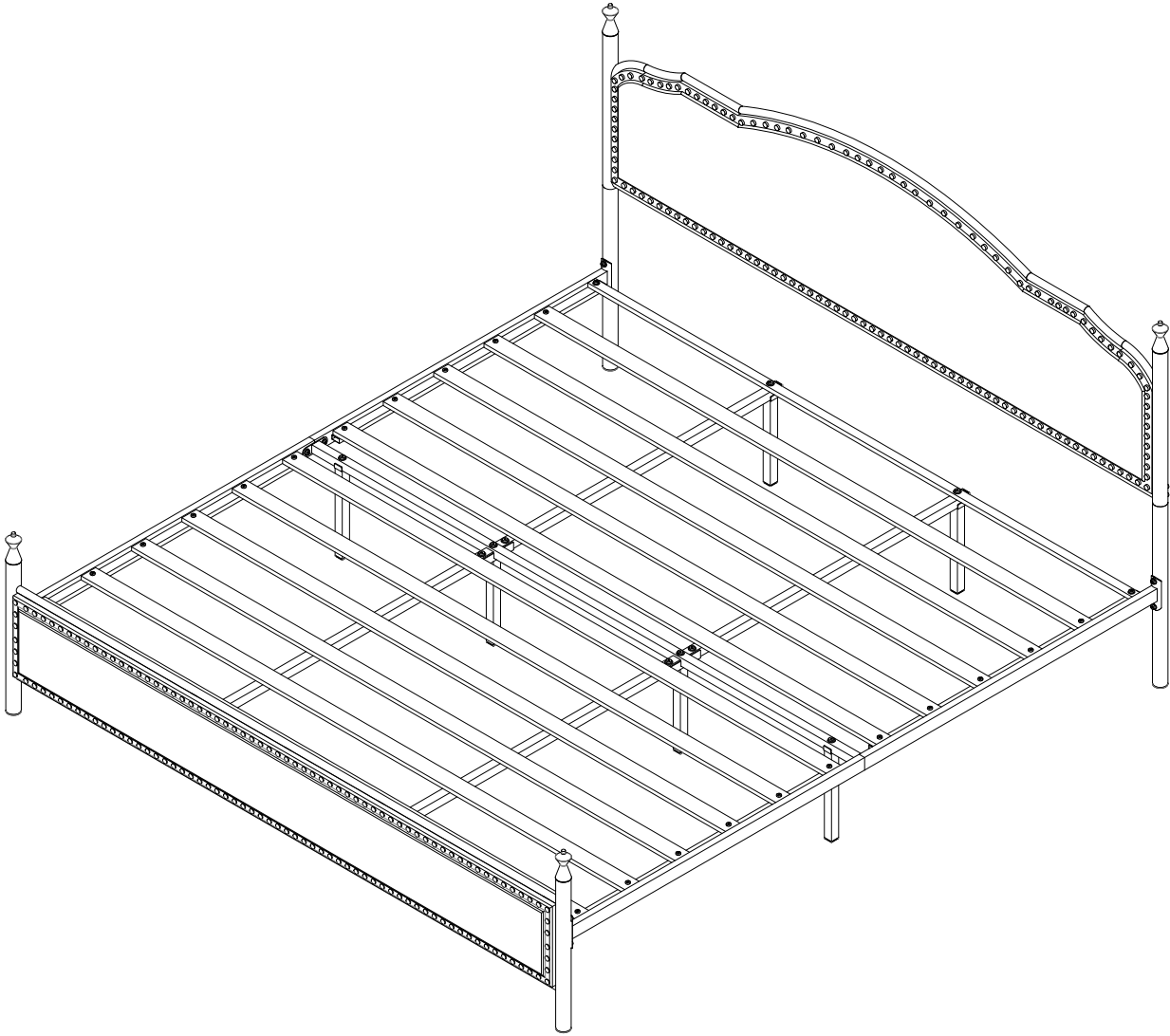
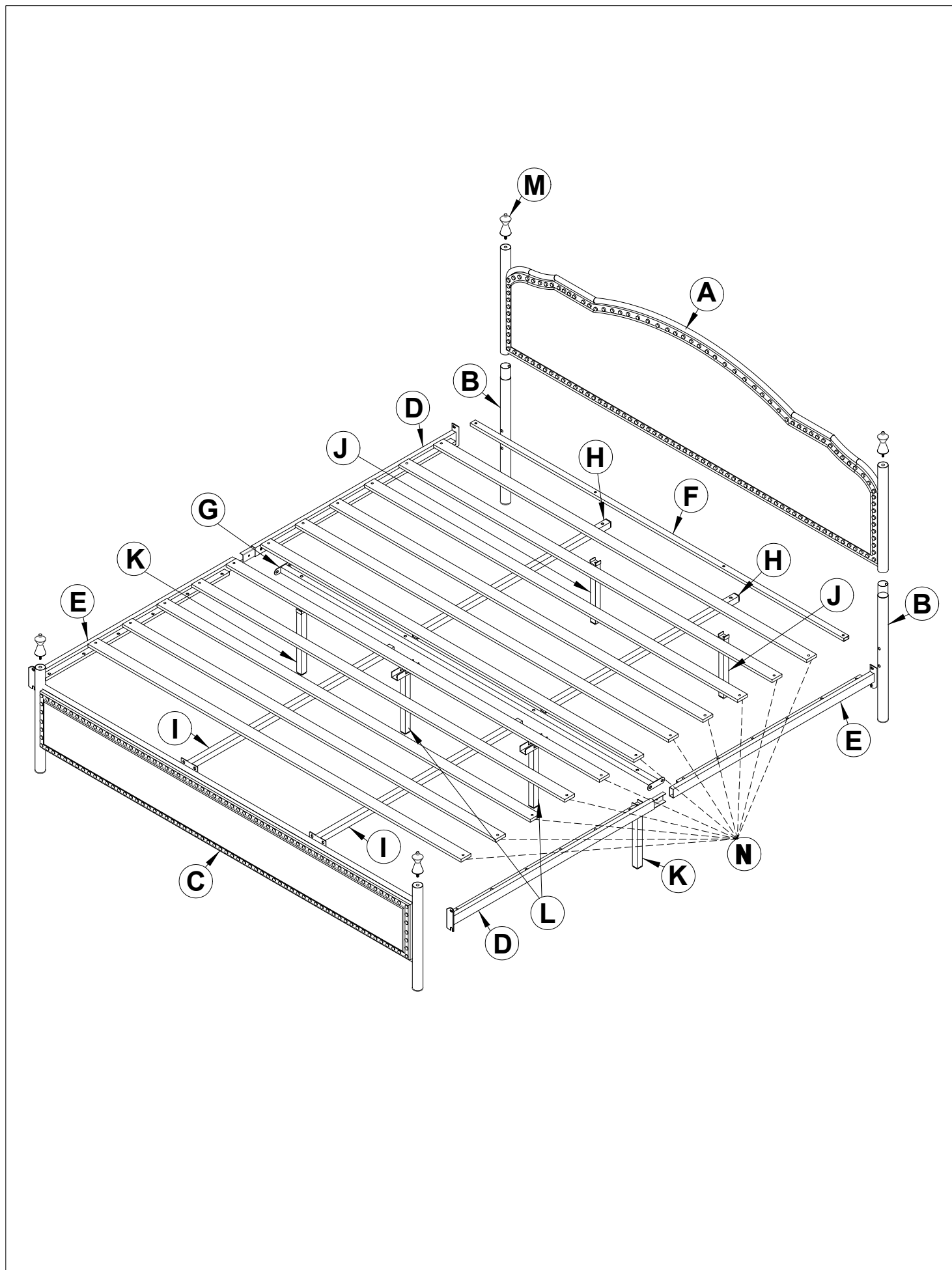


Owner Manual

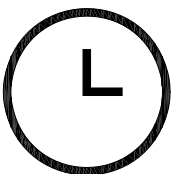
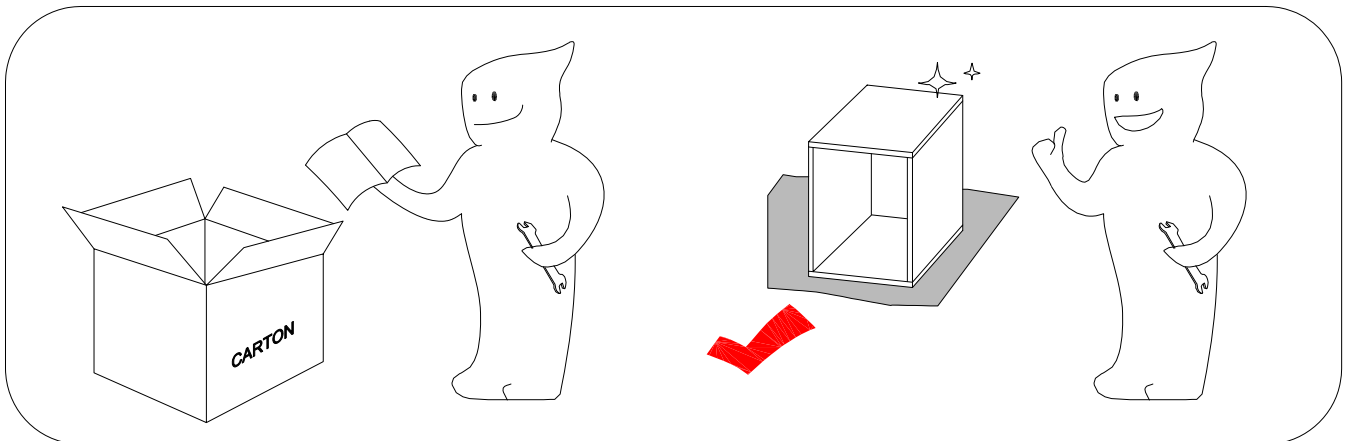
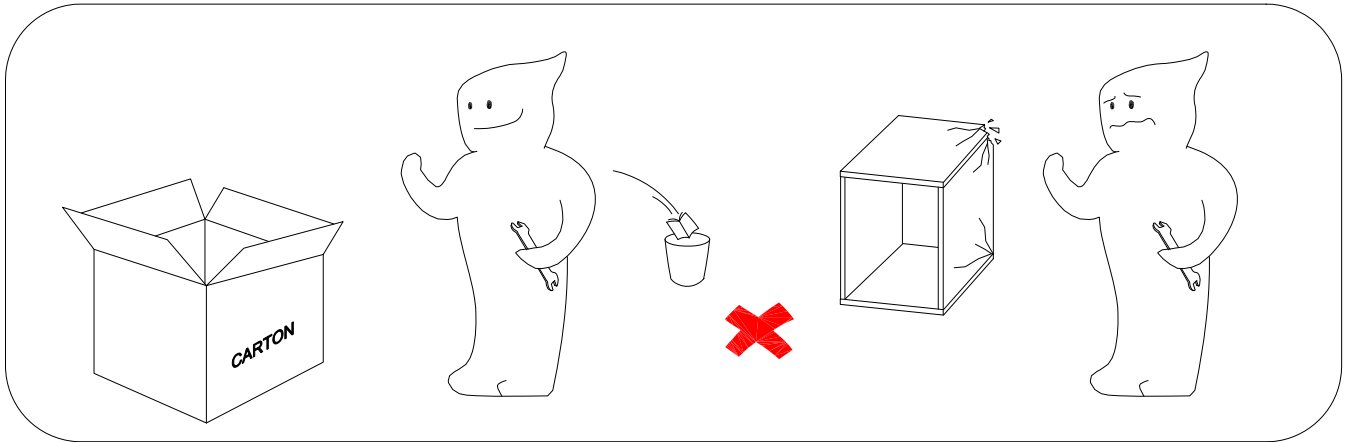


Exploded Diagram



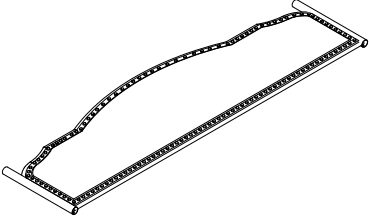
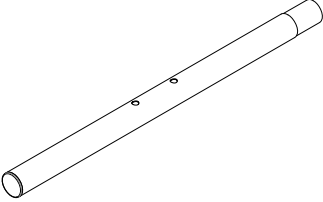
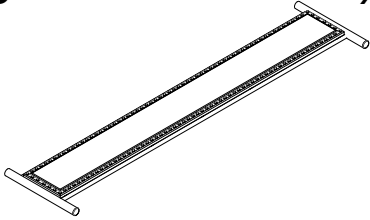
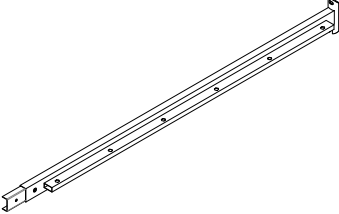
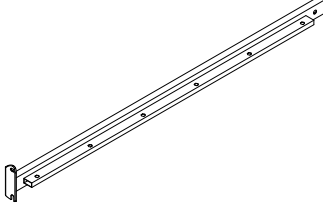
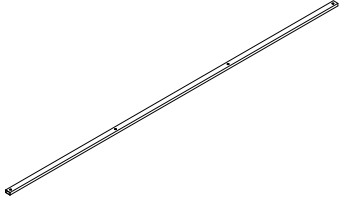
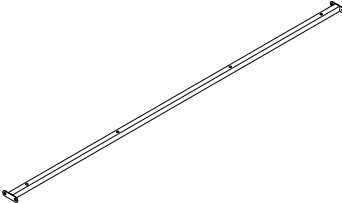
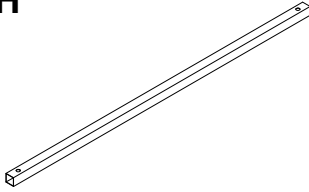
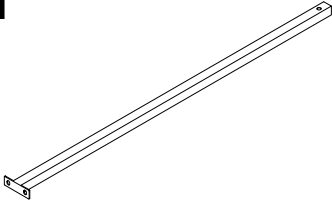
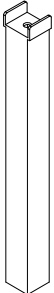

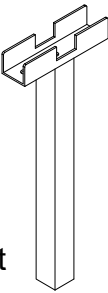
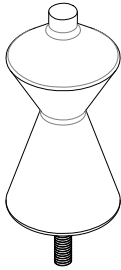
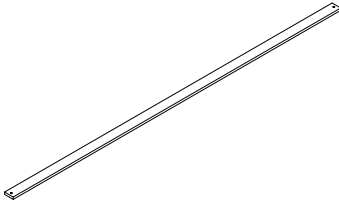
! IMPORTANT

Please follow the instruction manuals and use a pad to protect the product during your assembly.

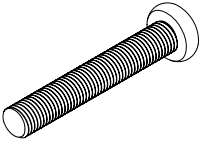
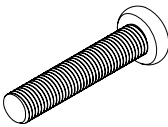
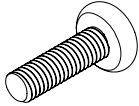
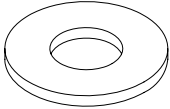
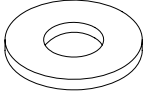
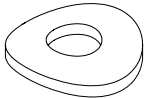
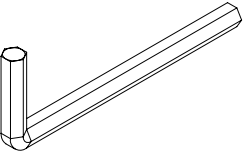


Take 2 adults about 1.0 hours to finish assembly.

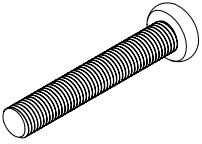
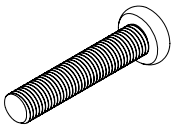
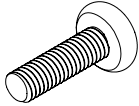
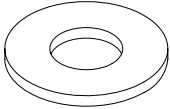
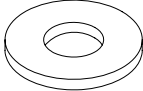
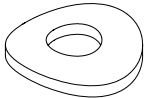
PARTS LIST

<p>A X 1</p>  <p>Headboard Panel-UP</p>	<p>B X 2</p>  <p>HB-Post</p>	<p>C X 1</p>  <p>Footboard</p>
<p>D X 2</p>  <p>Left Rail</p>	<p>E X 2</p>  <p>Right Rail</p>	<p>F X 1</p>  <p>Slat-F</p>
<p>G X 1</p>  <p>Cross Beam</p>	<p>H X 2</p>  <p>Middle Vertical Beam -H</p>	<p>I X 2</p>  <p>Middle Vertical Beam -I</p>
<p>J X 2</p>  <p>Support Leg</p>	<p>K X 2</p>  <p>Side Leg</p>	<p>L X 2</p>  <p>Middle Support Leg</p>
<p>M X 4</p>  <p>Ball</p>	<p>N X 11</p>  <p>Slat</p>	

HARDWARE LIST

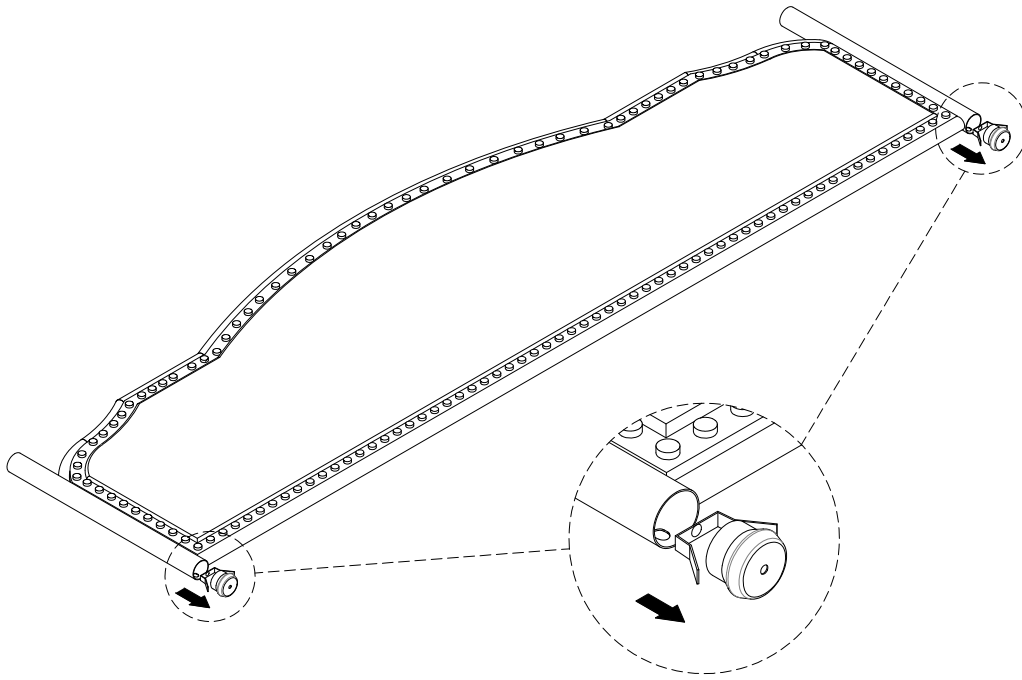
1 x 4  Bolt M8*50mm	2 x 6  Blot M8*40mm	3 x 44  Blot M6*20mm
4 x 8  Flat Washer Ø8mm	5 x 10  Flat Washer Ø6mm	6 x 12  Arc Washer Ø6mm
7 x 1  Allen Key		

SPARE LIST

1	x 1	2	x 1	3	x 2
					
Bolt M8*50mm		Blot M8*40mm		Blot M6*20mm	
4	x 1	5	x 1	6	x 1
					
Flat Washer Ø8mm		Flat Washer Ø6mm		Arc Washer Ø6mm	

Be sure to check all packing material carefully for small parts, which may have come loose inside the carton during shipment.

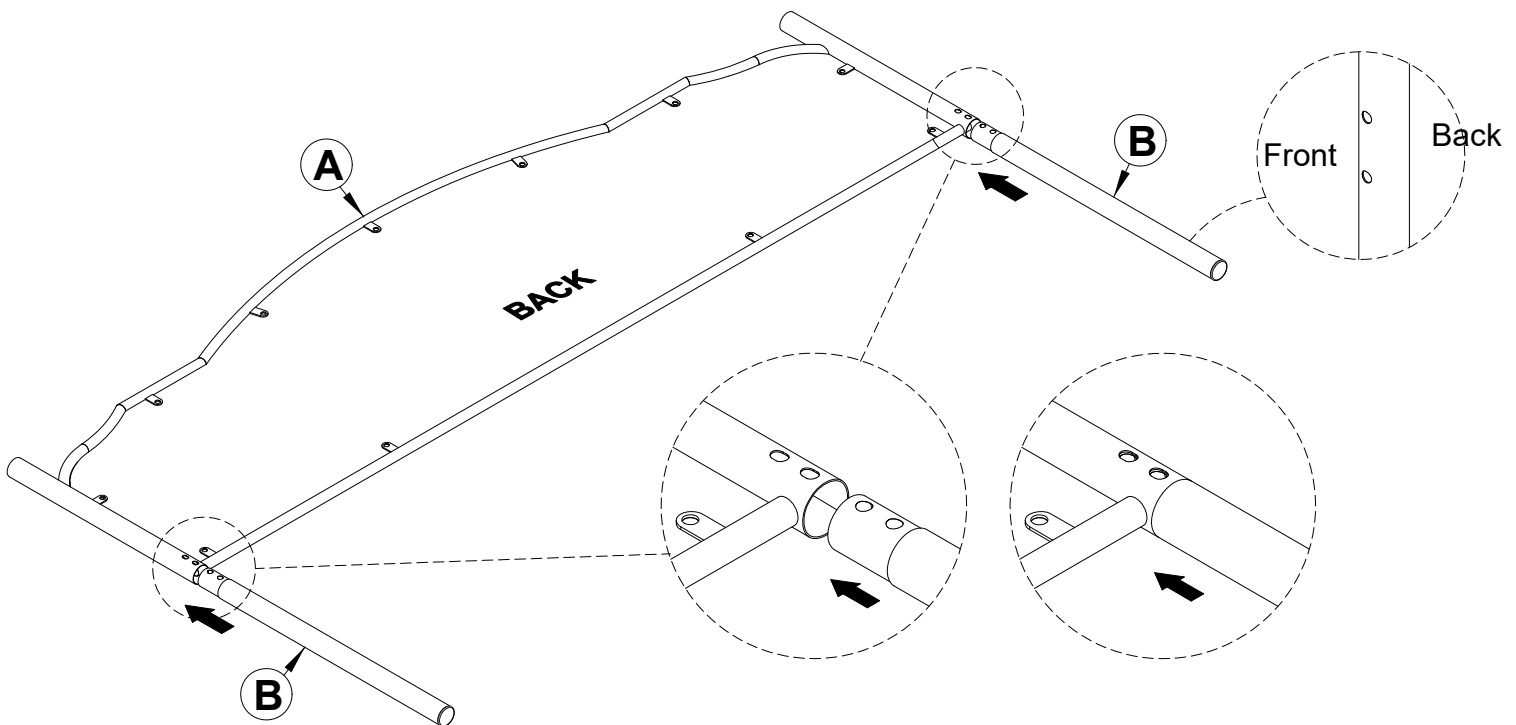
STEP 1






Note :

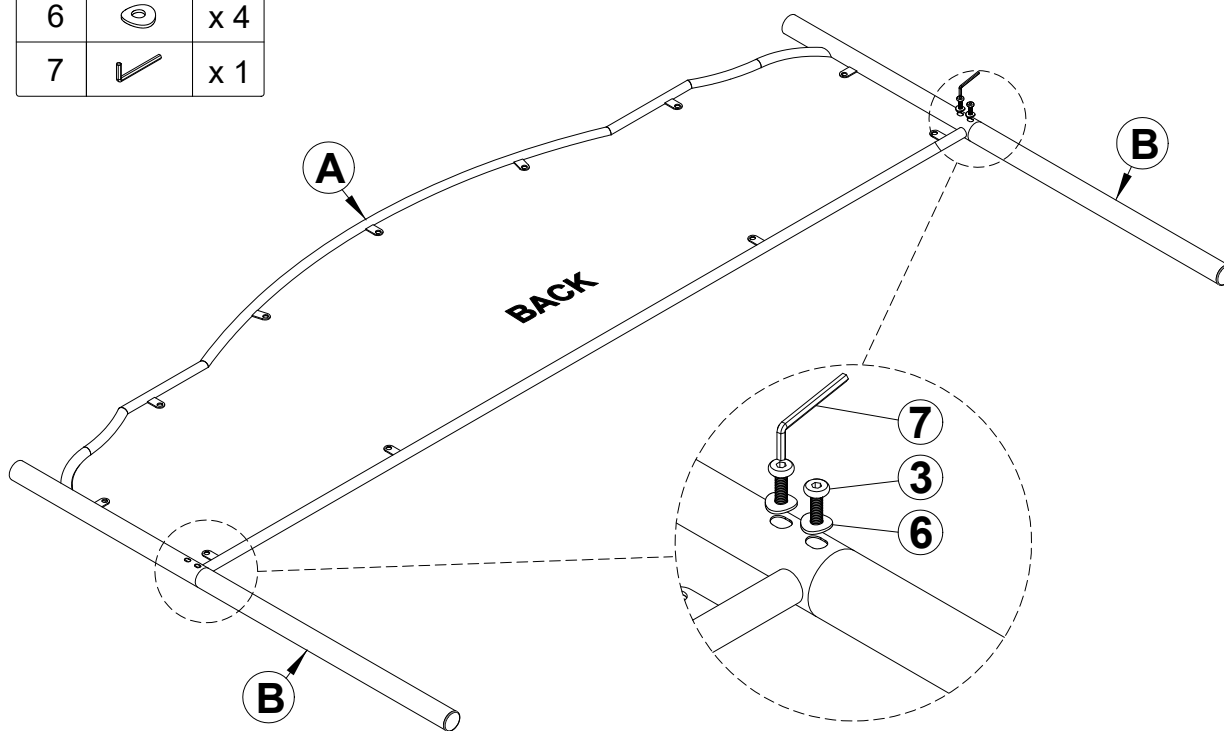
Take out the metal part, It is only for package protection, do not use it on this products.

STEP 2

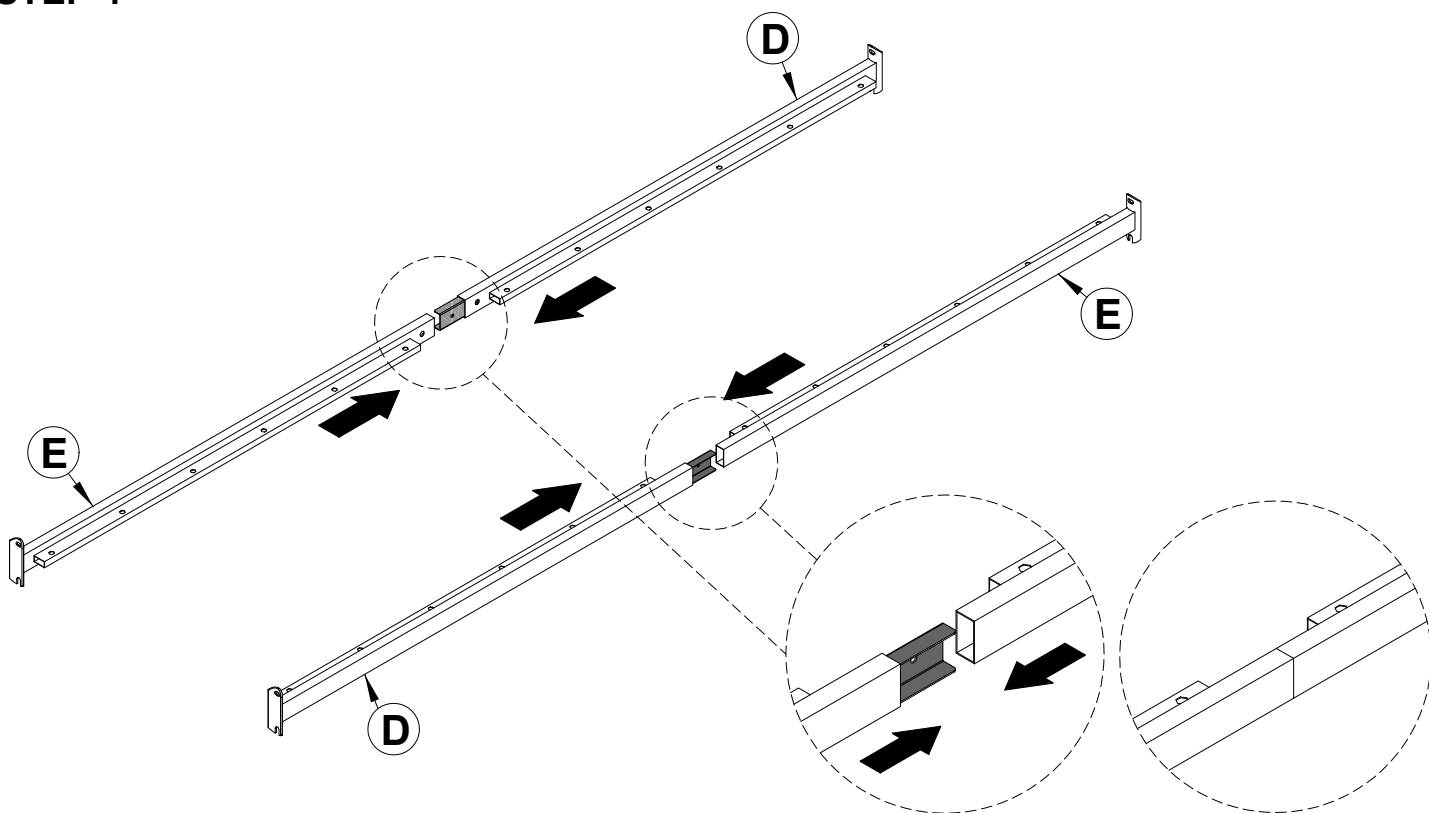


STEP 3



3		x 4	M6*20mm
6		x 4	
7		x 1	

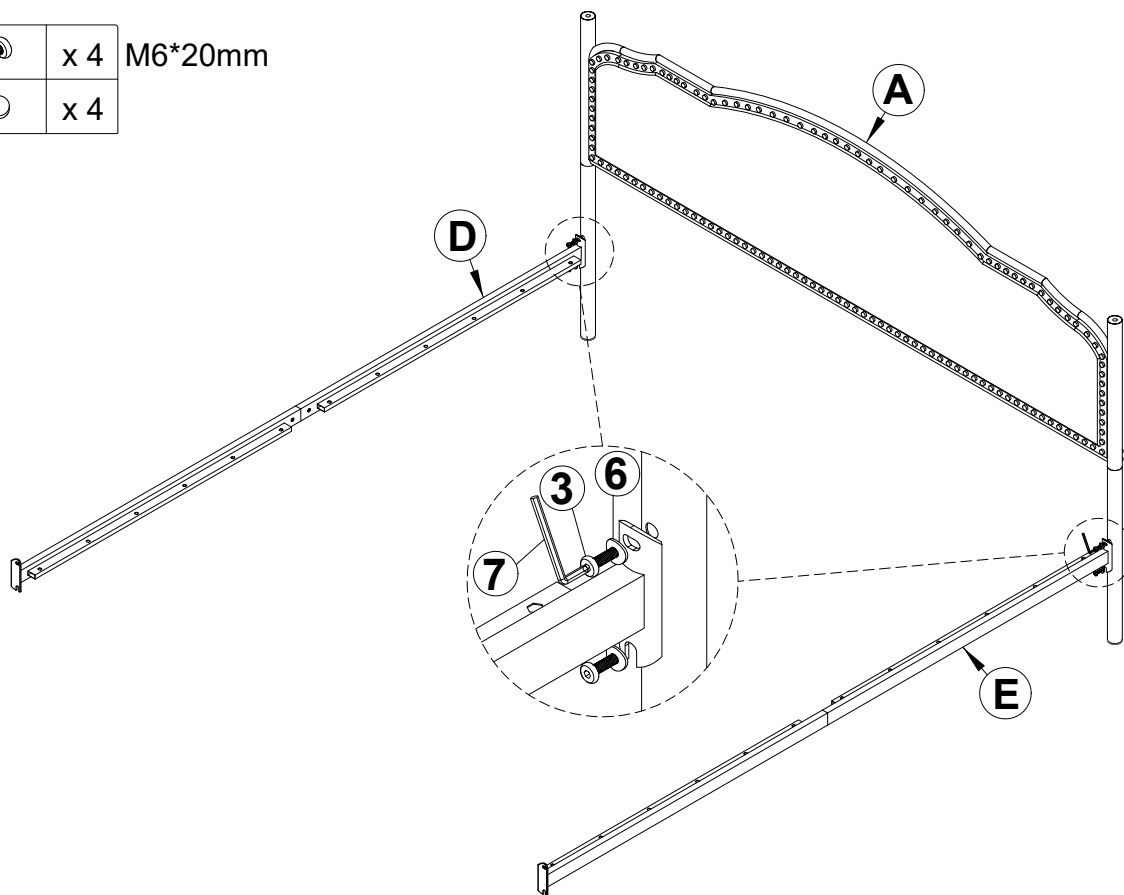


STEP 4





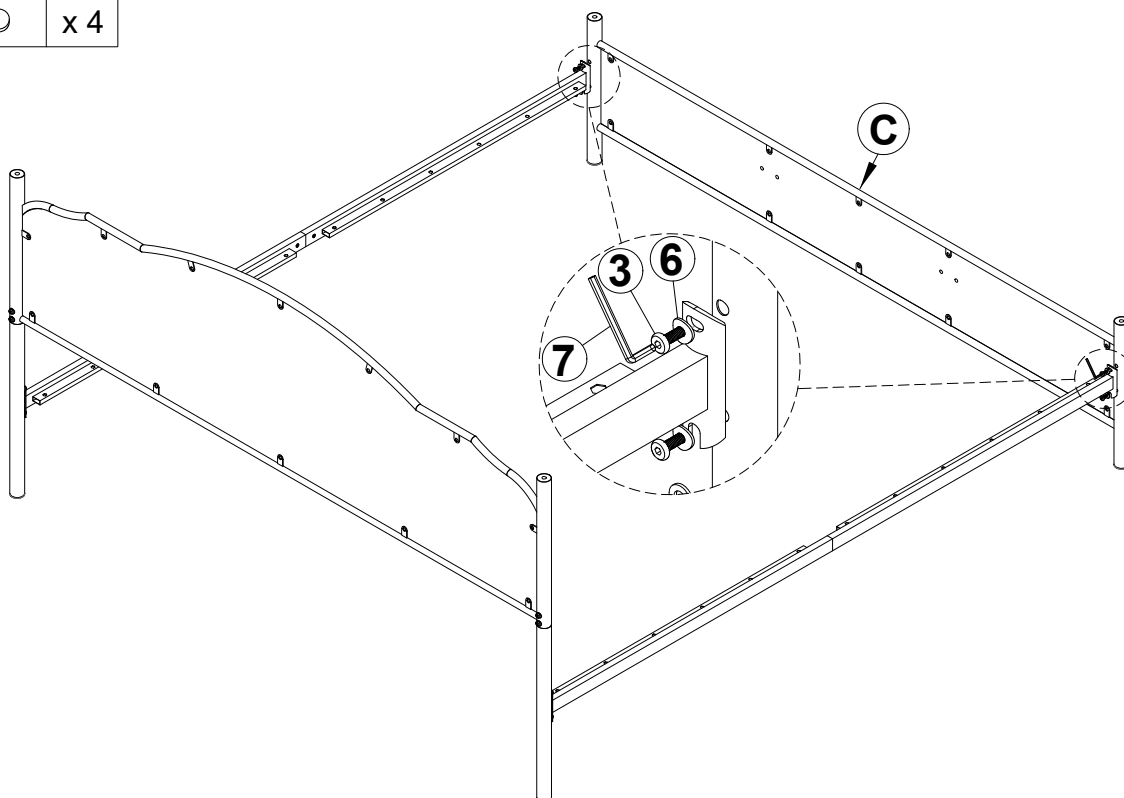
STEP 5

3		x 4	M6*20mm
6		x 4	





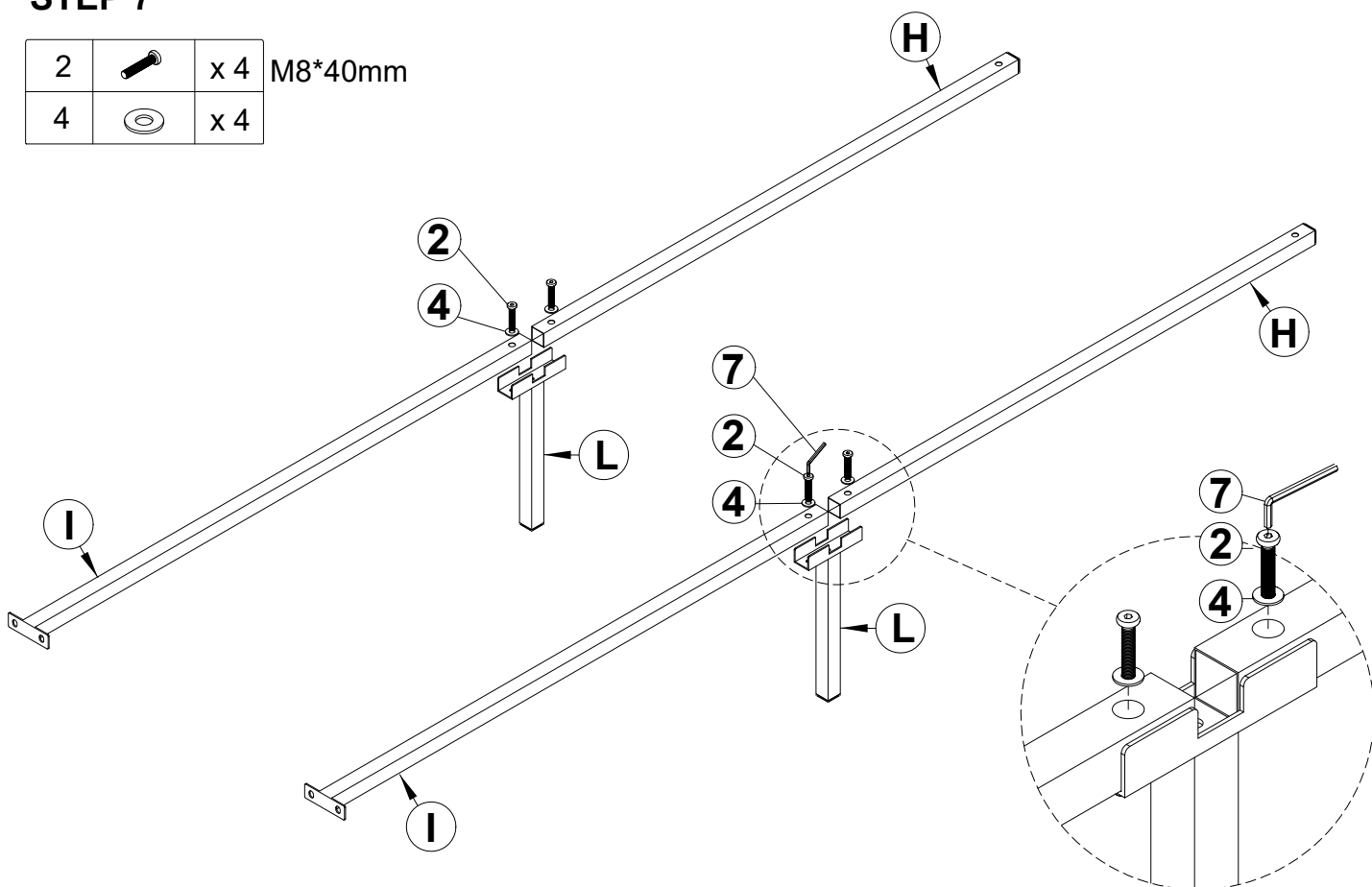
STEP 6

3		x 4	M6*20mm
6		x 4	





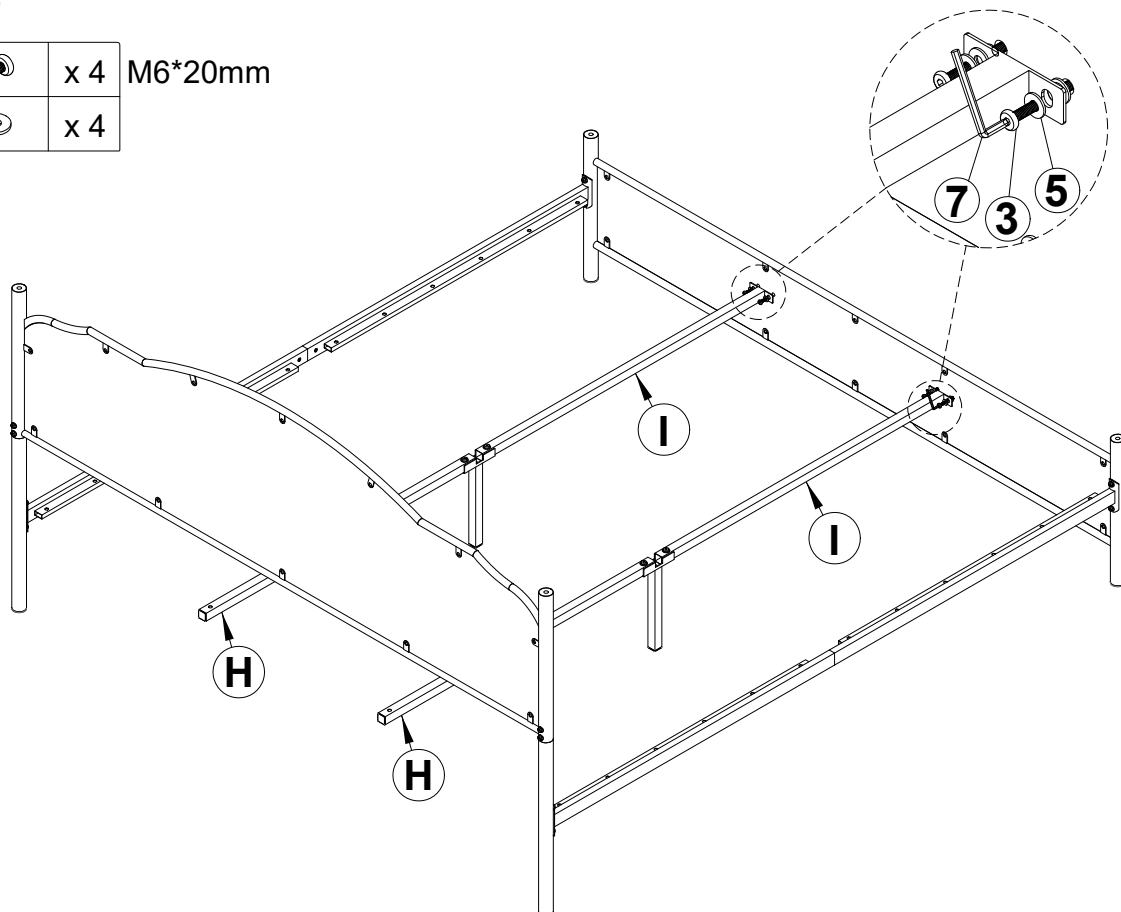
STEP 7

2		x 4	M8*40mm
4		x 4	







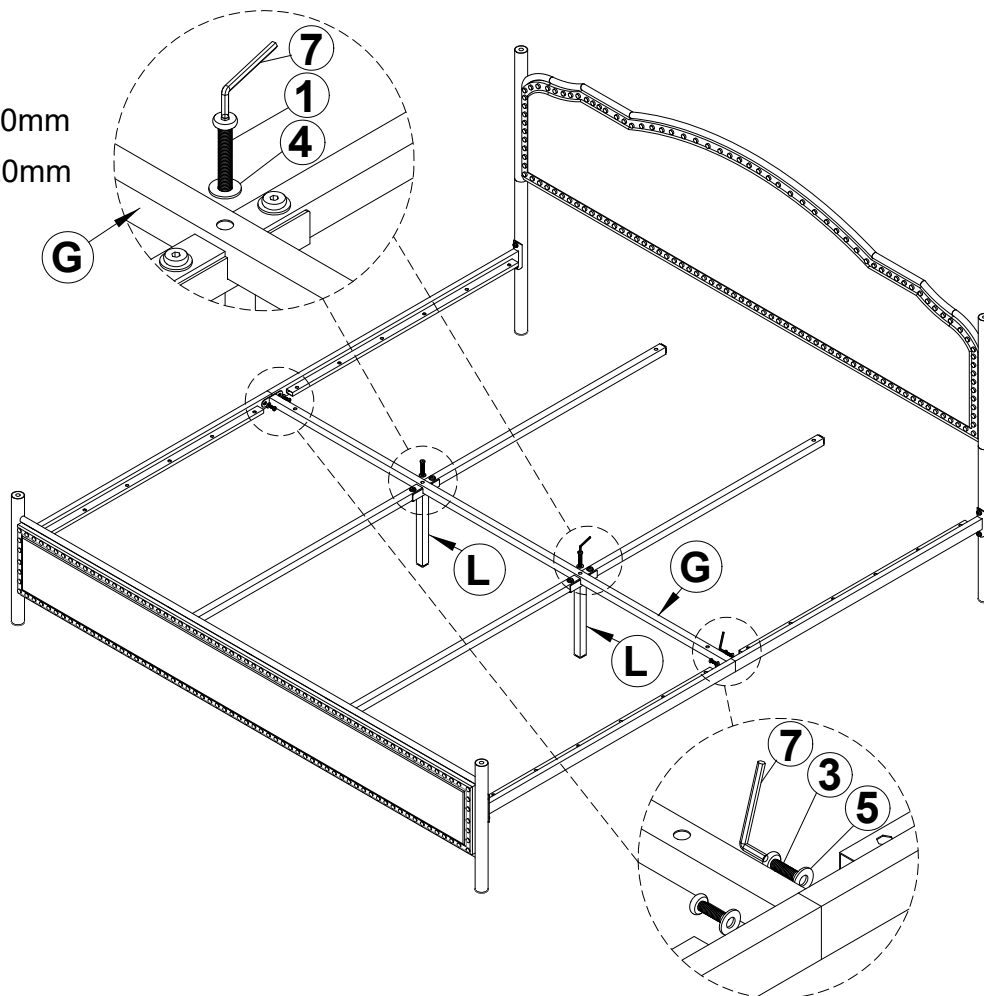
STEP 8

3		x 4	M6*20mm
5		x 4	





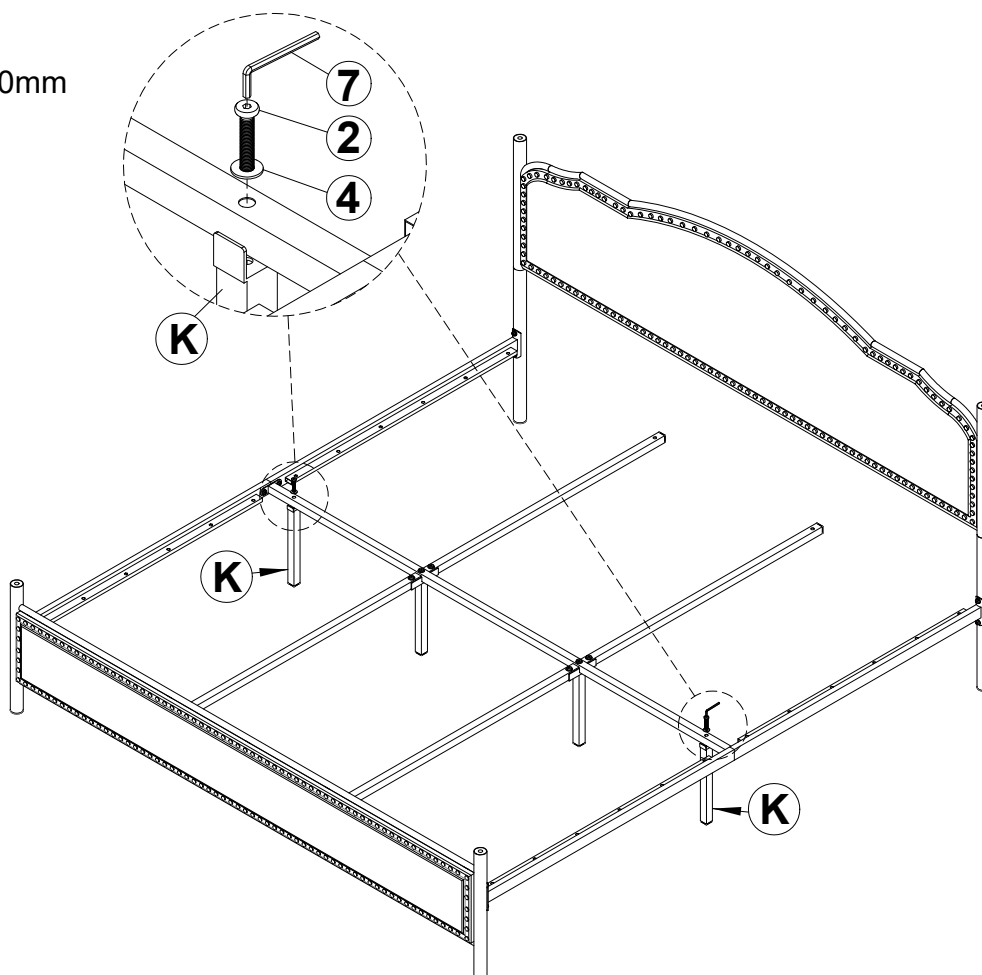
STEP 9

1		x 2	M8*50mm
3		x 4	M6*20mm
4		x 2	
5		x 4	







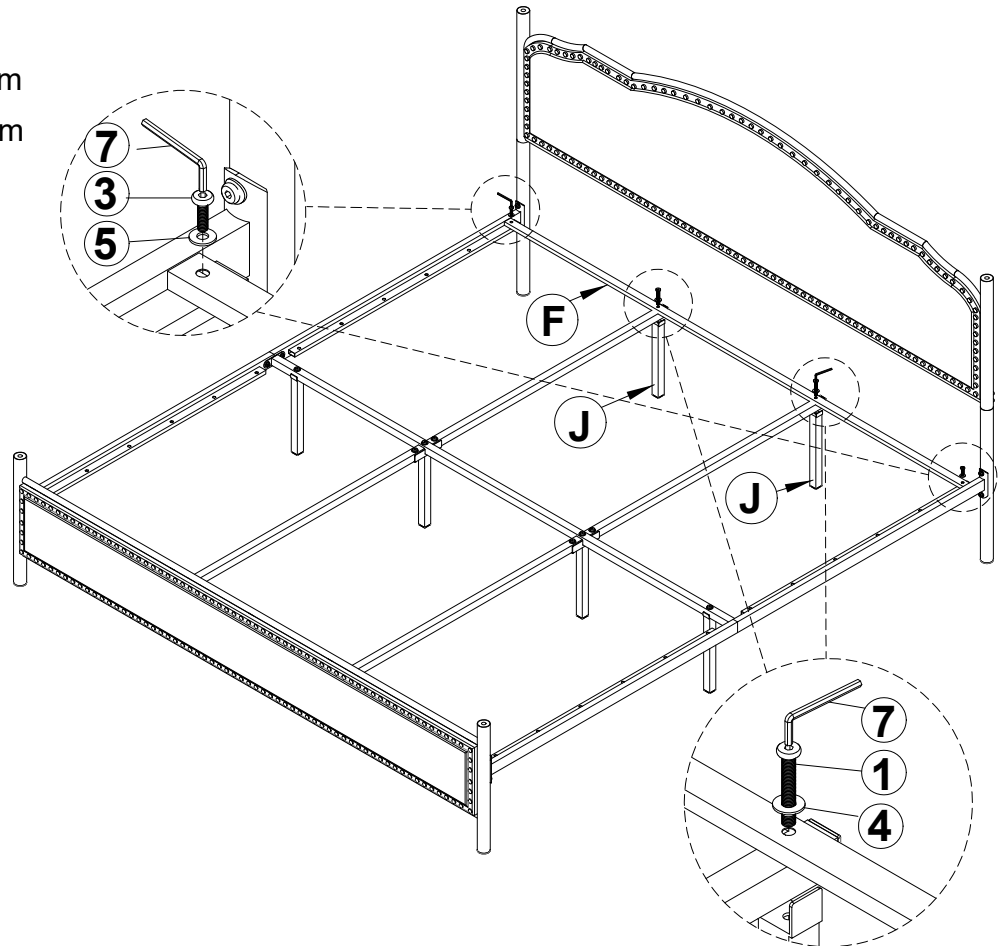
STEP 10

2		x2	M8*40mm
4		x2	



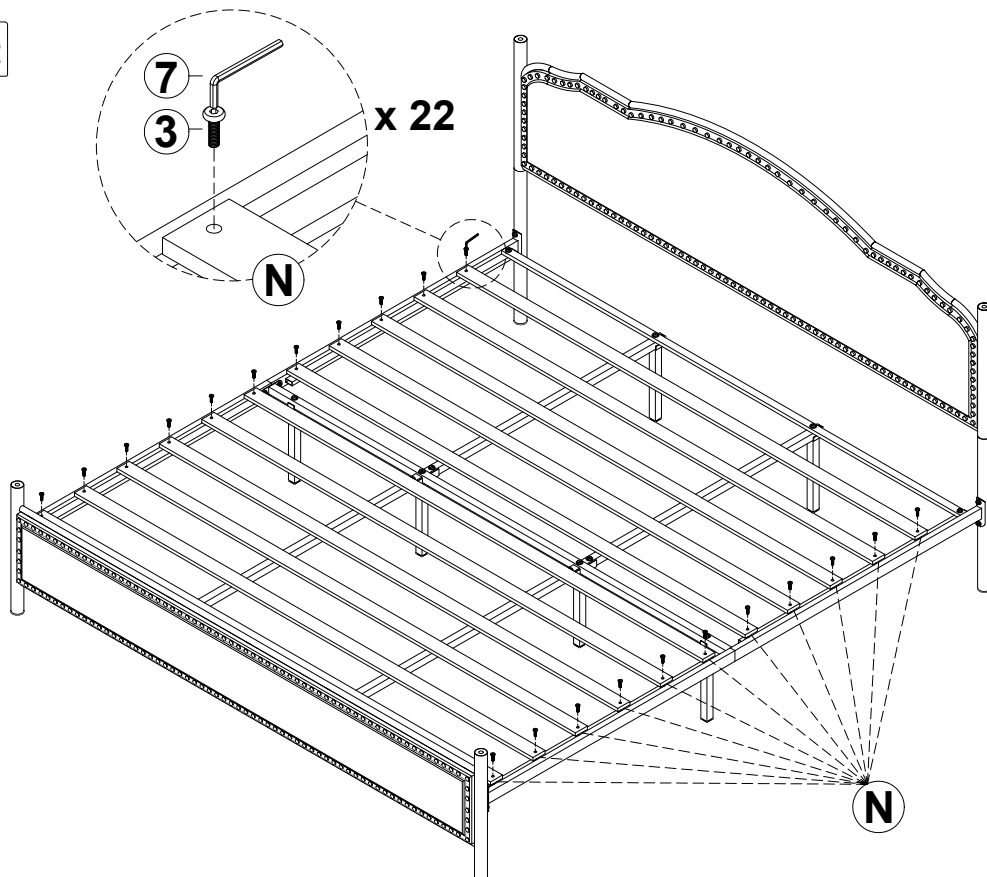
STEP 11

1		x 2	M8*50mm
3		x 2	M6*20mm
4		x 2	
5		x 2	

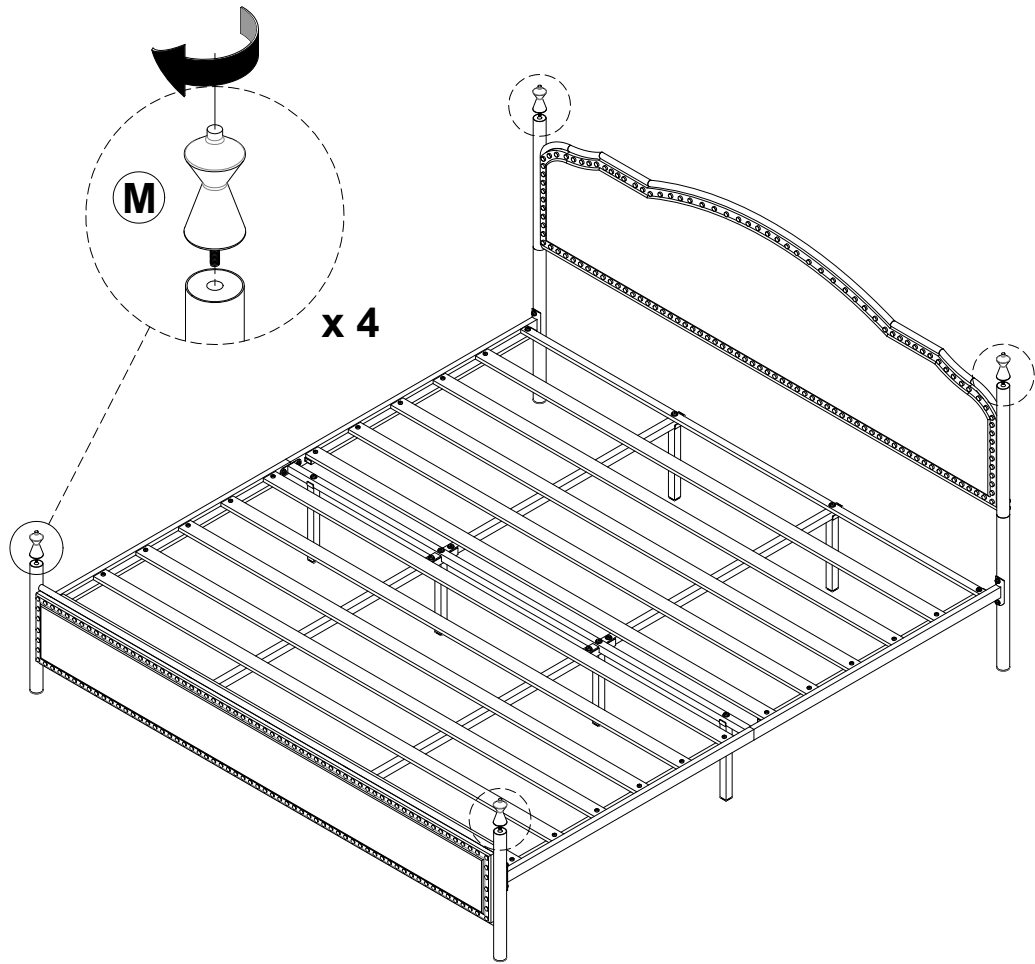


STEP 12

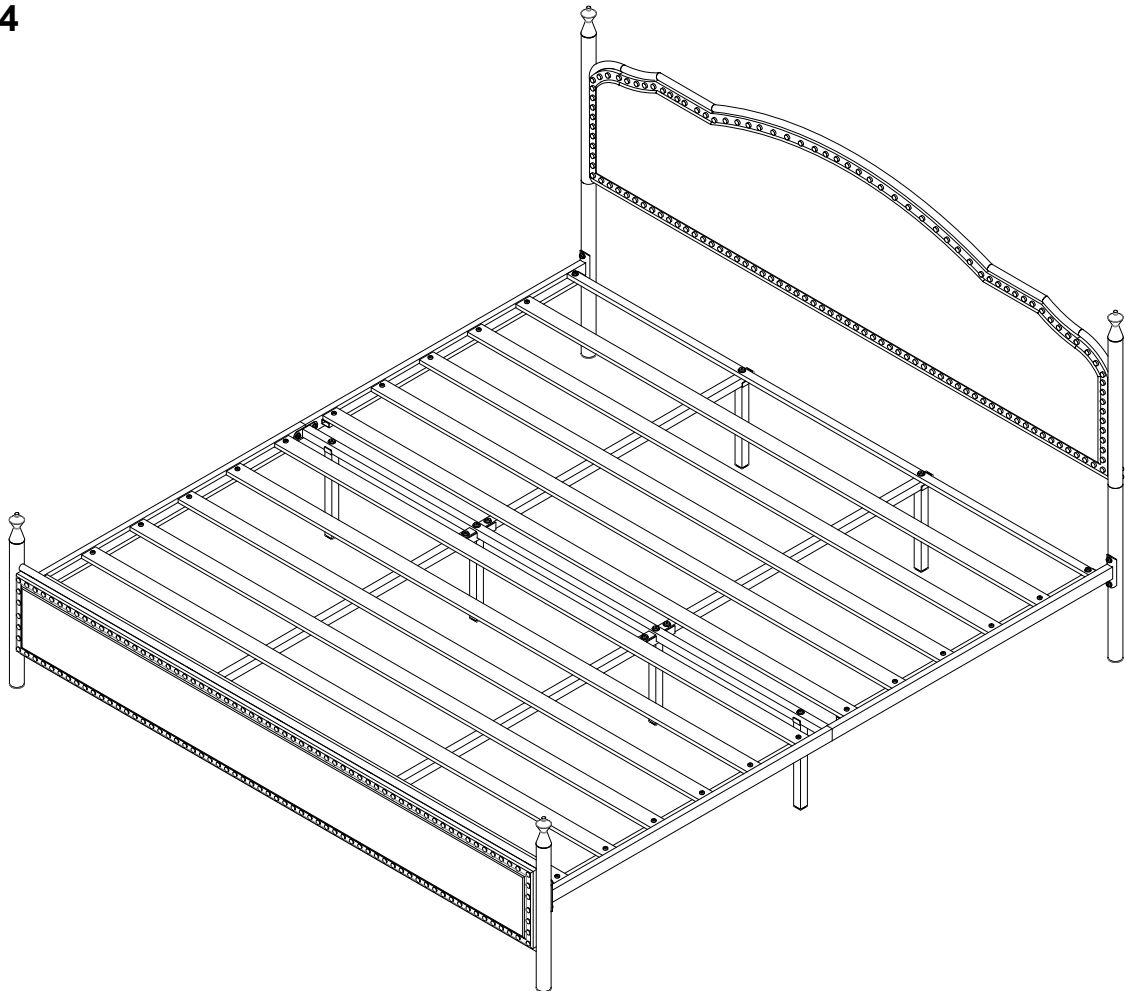
3		x 22	M6*20mm
---	---	------	---------



STEP 13



STEP 14



MAINTENANCE AND WARNING



- Keep furniture away from heat.
- Do not clean furniture with harsh cleansers or polish. Do not use detergents, Solvents, abrasives, spray packs or leather cleaner. Use non-color mild soap with warm water clean spills(Mix 1:10 soap to water)
- Do not place furniture under direct sunlight, material will possibly fade over time.
- Do not use on site dry Cleaning machine.
- Children should not climb or jump on the furniture.
- Do not write on furniture without a padded barrier to protect the surface.
- Not for commercial use, For residential use only.
- The maximum load is 1000 LBS.