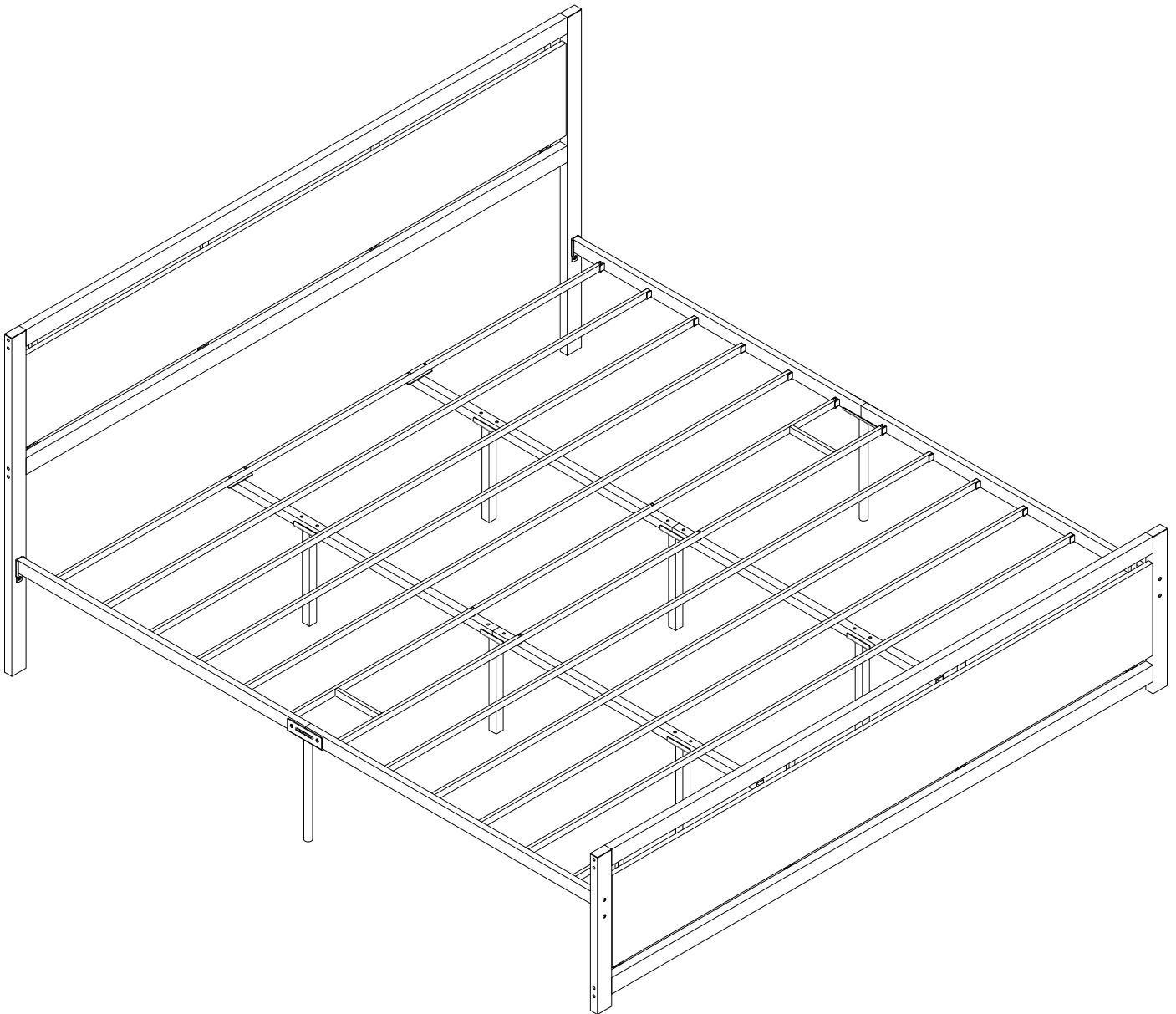


ASSEMBLY INSTRUCTIONS

DEAR CUSTOMER,

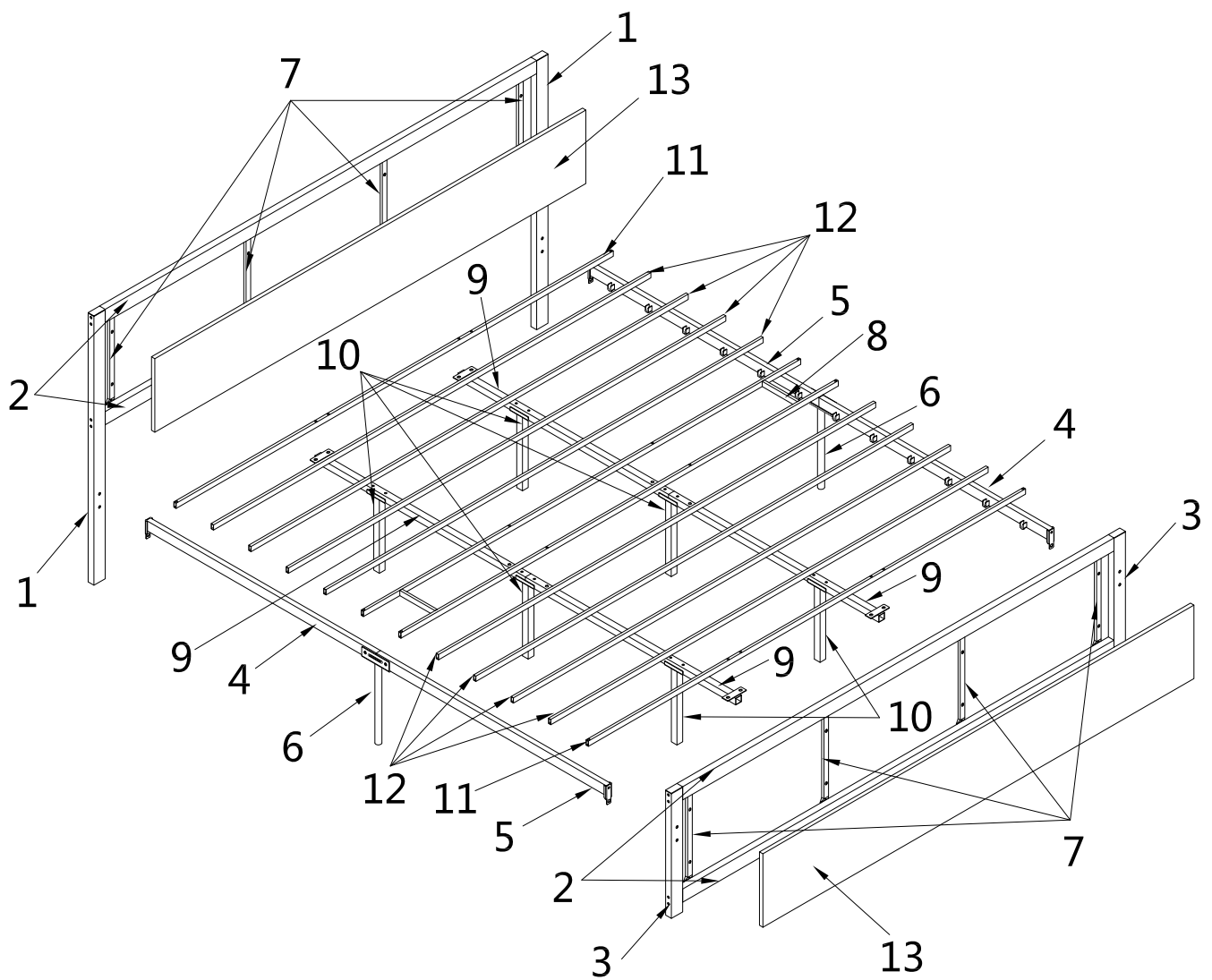
Caution:

1. Please read all instructions before assembly and check the carton for any parts that may have come loose during shipment. It is recommended to use two or more persons during the assembly process.
2. Please do not discard any packaging before you have checked all the parts and fittings are included. If for any reason this product needs to be returned it must be returned packed in its original packaging.
3. Assemble this product on a flat and clean surface to avoid scratching.



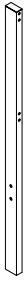
GENERAL ASSEMBLY GUIDELINES

- I. Ensure that all parts and hardware are available before beginning assembly.
- II. Follow each step carefully to ensure the proper assembly of the product.
- III. Two people are recommended for ease in the assembly of this product.



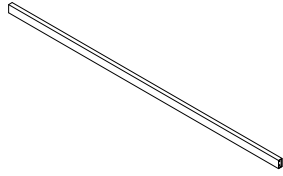
Parts List

1



2PCS

2



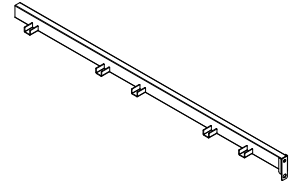
4PCS

3



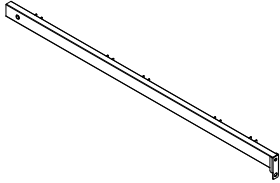
2PCS

4



2PCS

5



2PCS

6



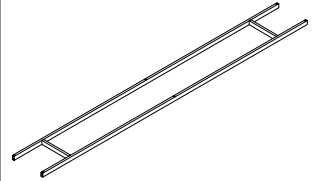
2PCS

7



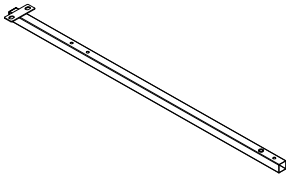
8PCS

8



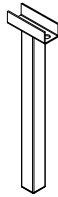
1PC

9



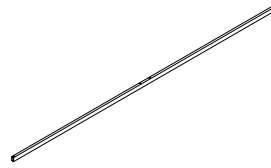
4PCS

10



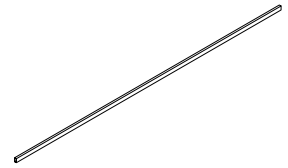
6PCS

11



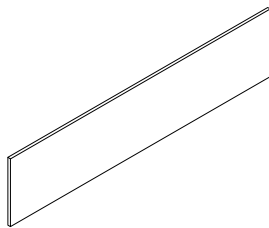
2PCS

12



8PCS

13

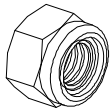


2PCS

Hardware List

A

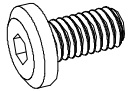
M8



4PCS

B

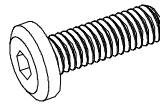
M6x15mm



24PCS

C

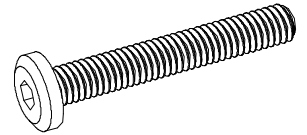
M5x25mm



8PCS

E

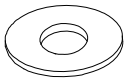
M8x40mm



8PCS

F

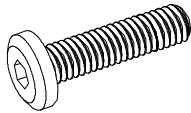
∅8



8PCS

G

M6x35mm



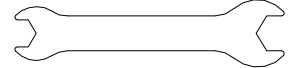
24PCS

H



1PC

I



1PC

J

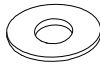
M6x70mm



16PCS

K

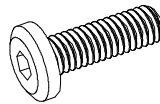
∅6



36PCS

L

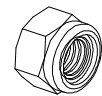
M6x20mm



16PCS

M

M6



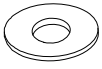
20PCS

Product Assembly

1



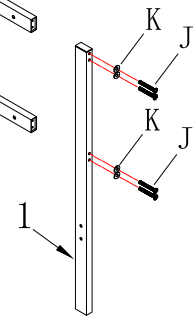
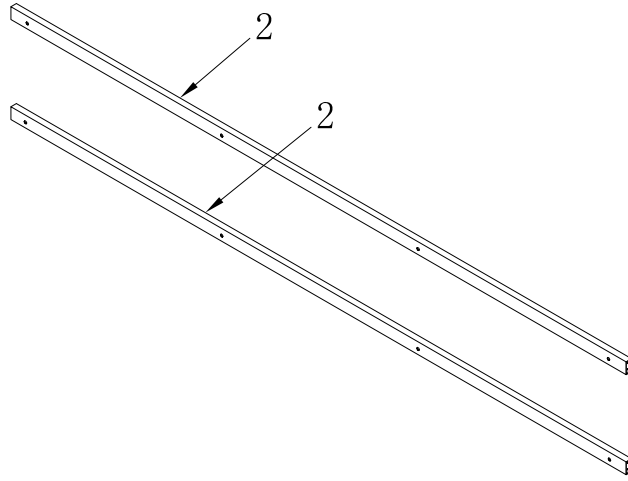
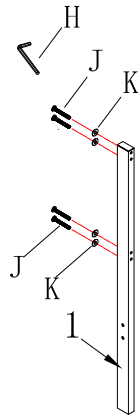
J | 8 PCS



K | 8 PCS



H

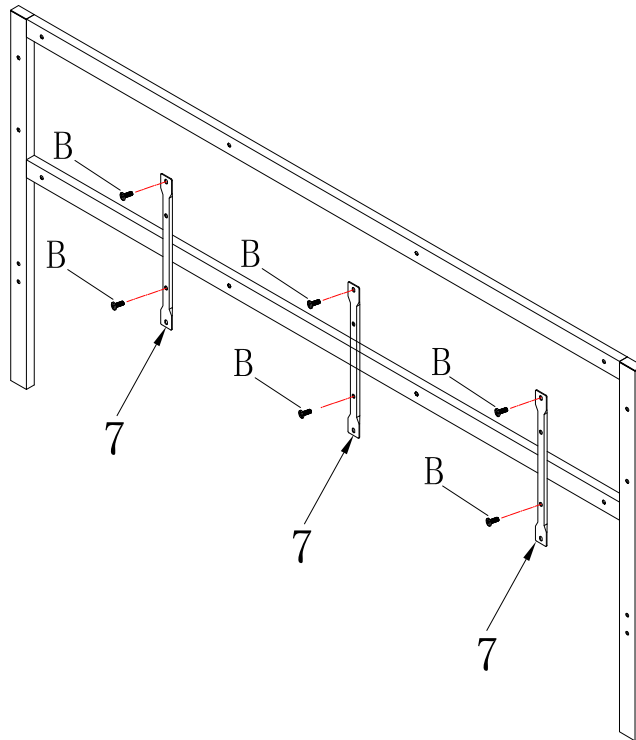
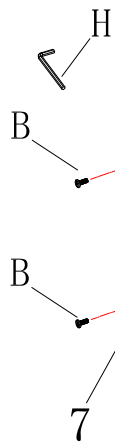


B | 8 PCS



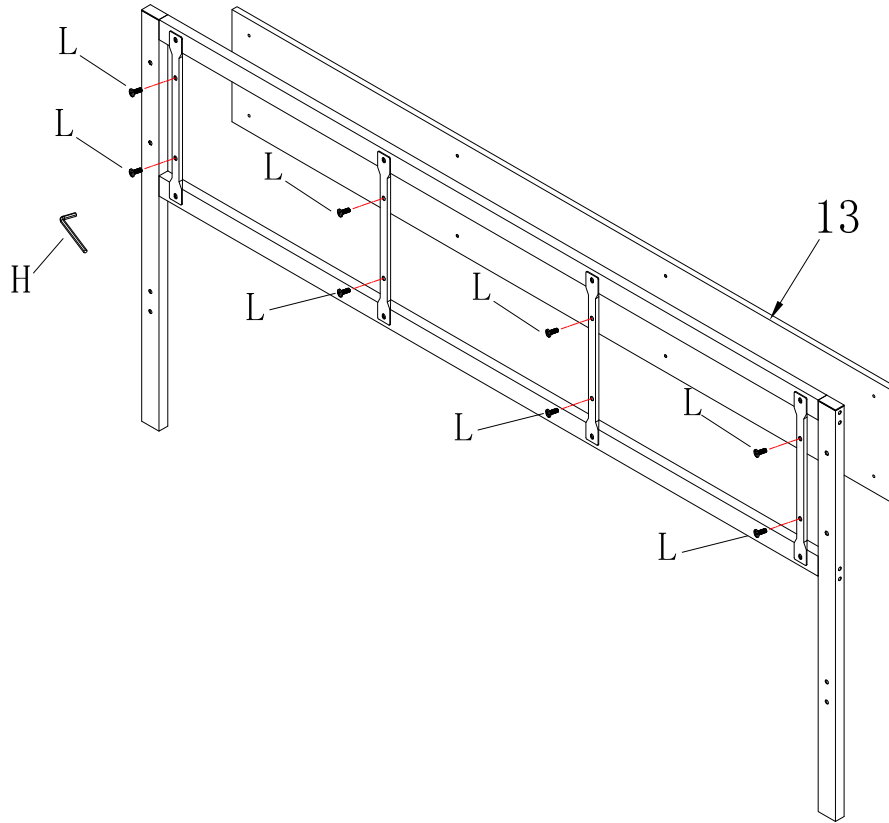
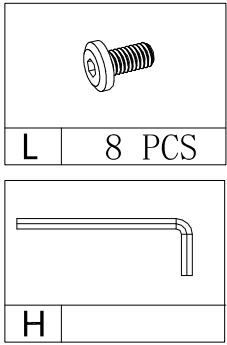
H

2

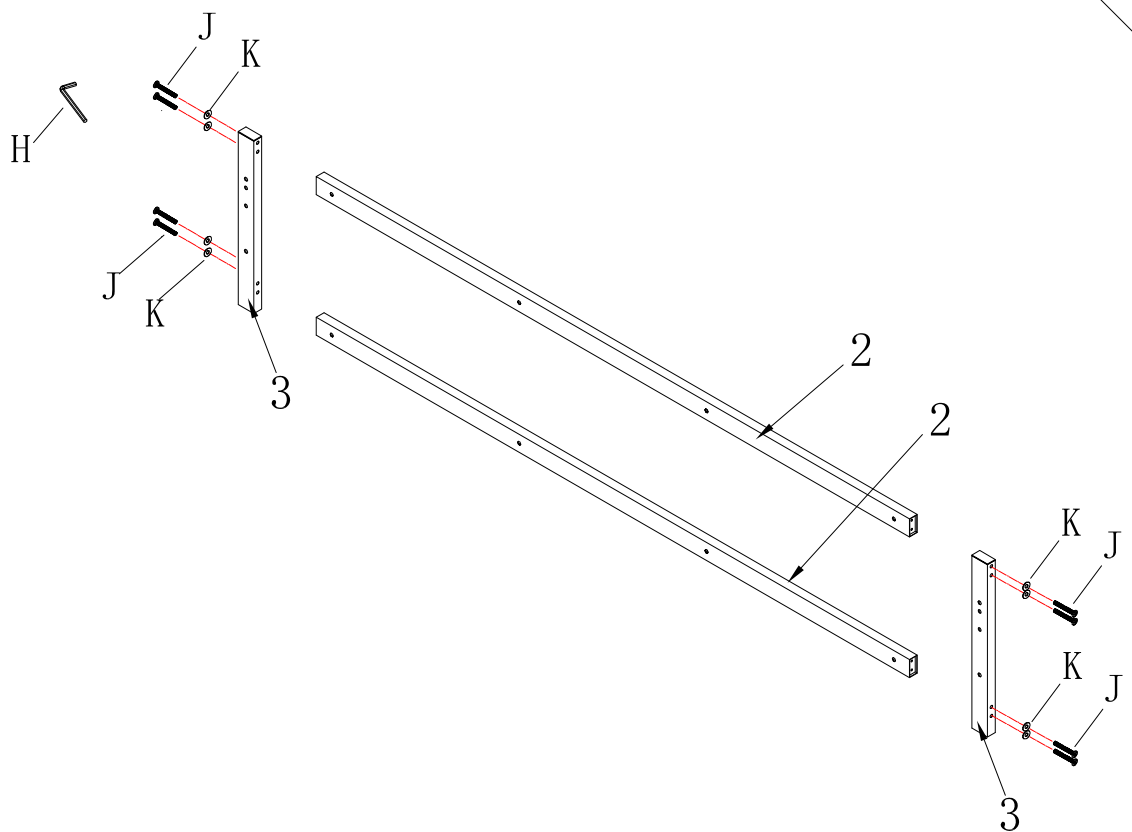
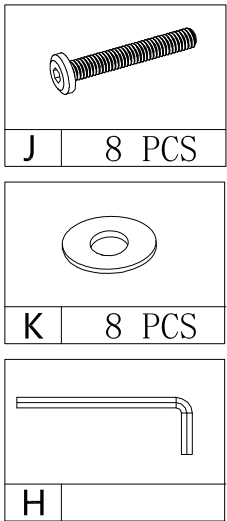


Product Assembly

3

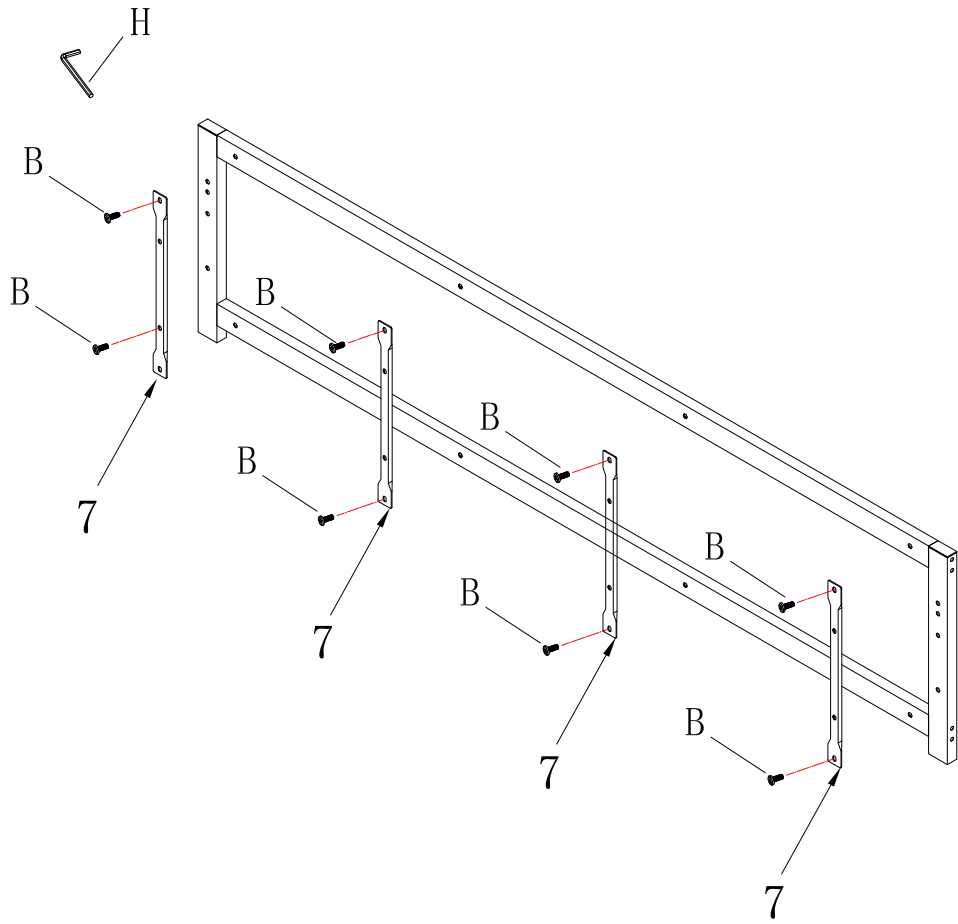
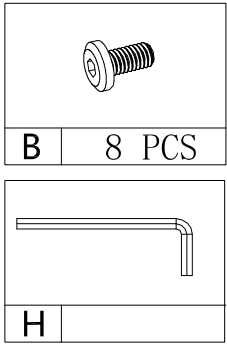


4

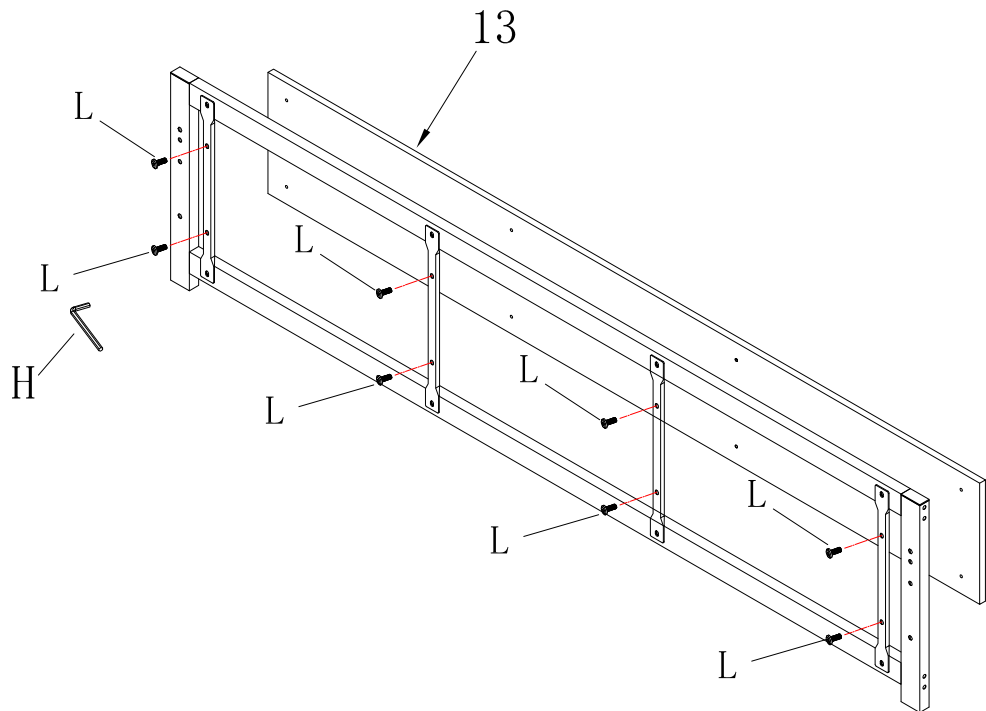
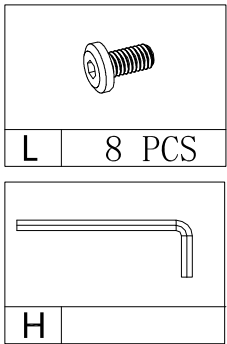


Product Assembly

5

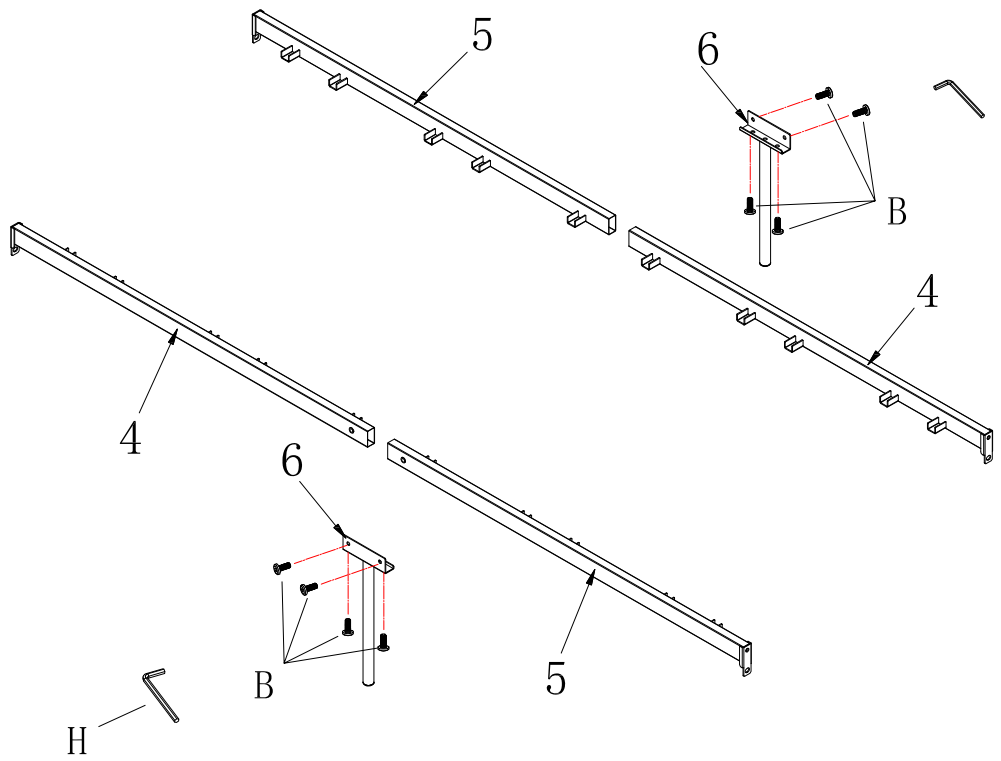
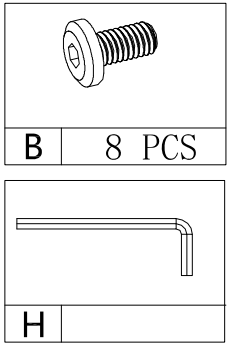


6

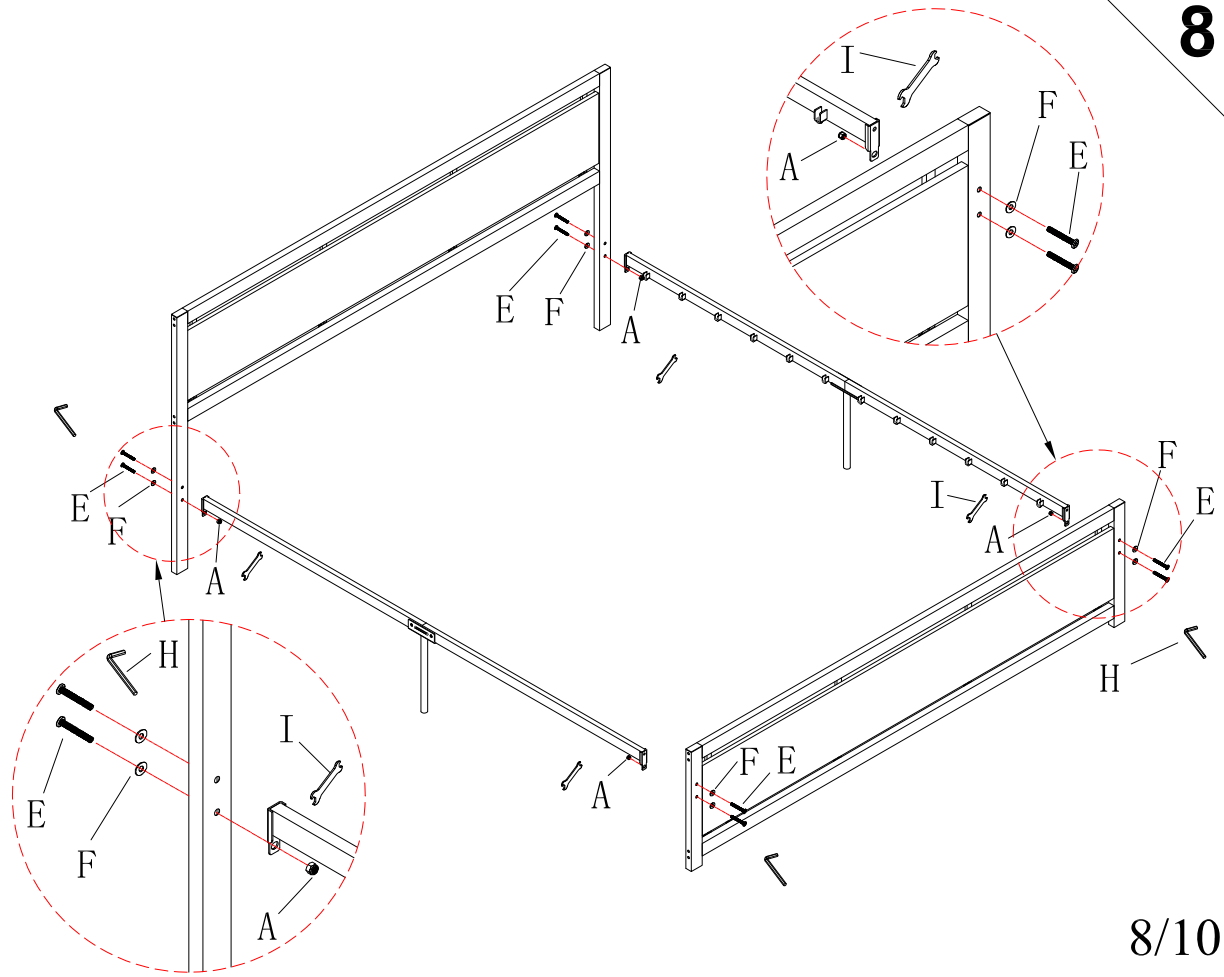
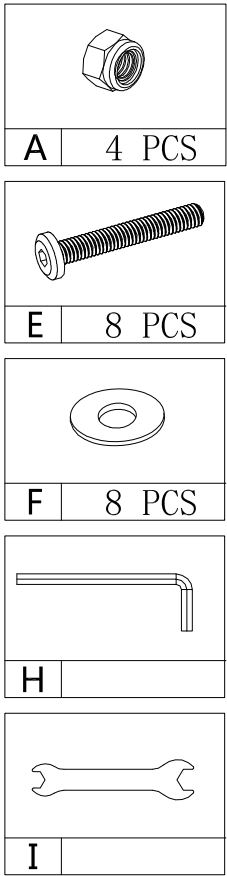


Product Assembly

7

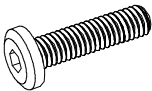

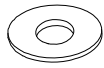

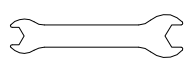


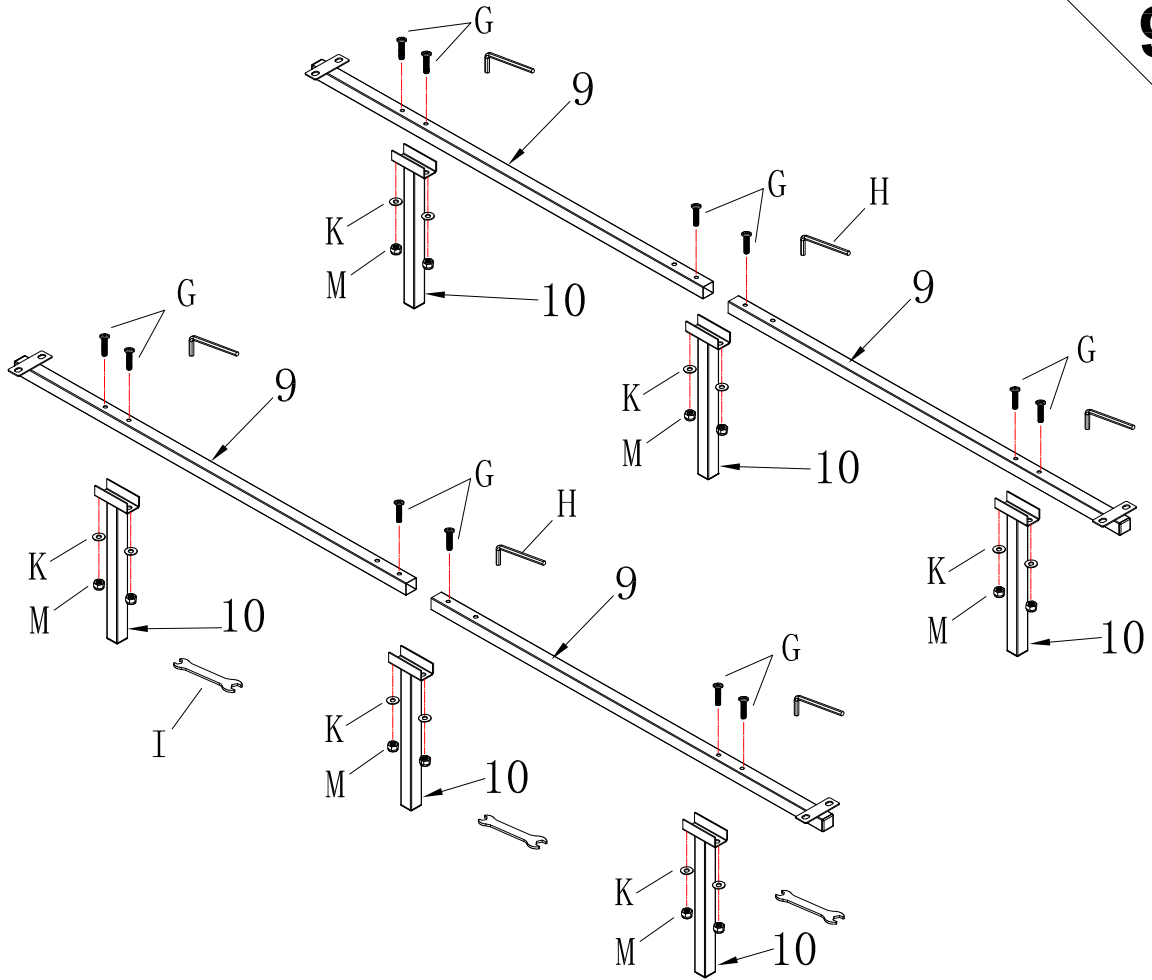
8



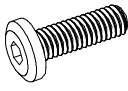
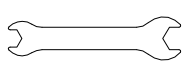
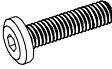

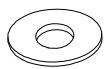
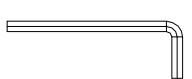
Product Assembly

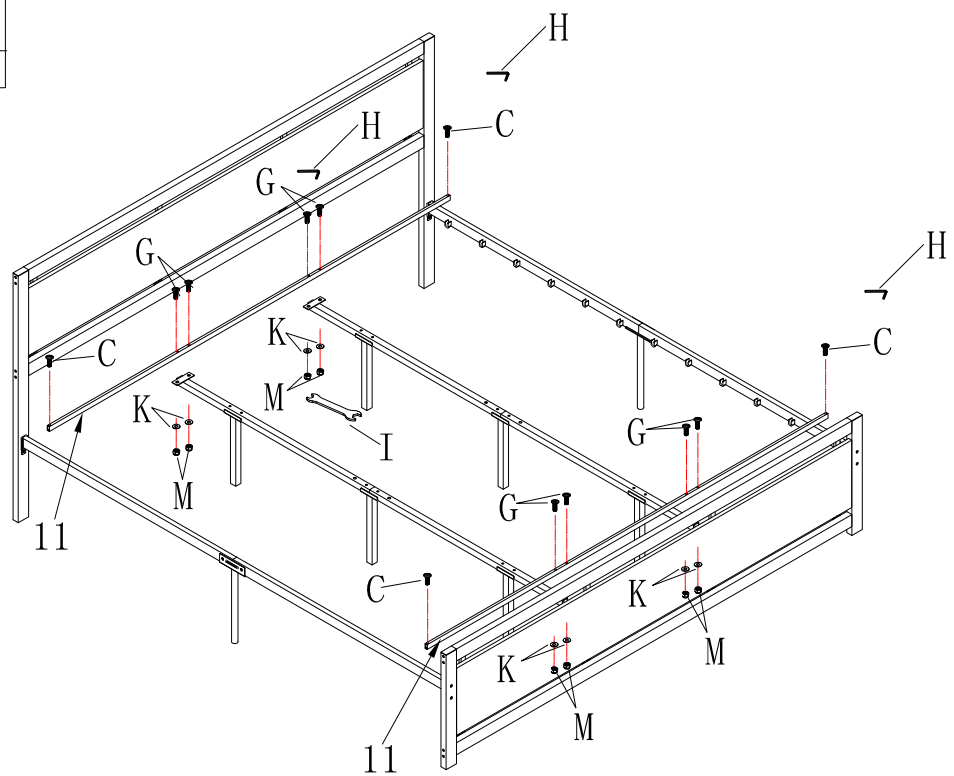
9

-  G 12 PCS
-  M 12 PCS
-  K 12 PCS
-  H
-  I

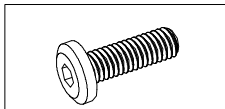


10

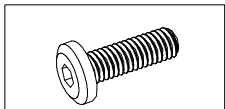
-  C 4 PCS
-  I
-  G 8 PCS
-  M 8 PCS
-  K 8 PCS
-  H



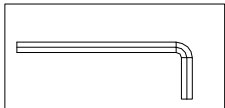
9/10



C 4 PCS



G 4 PCS



H

