

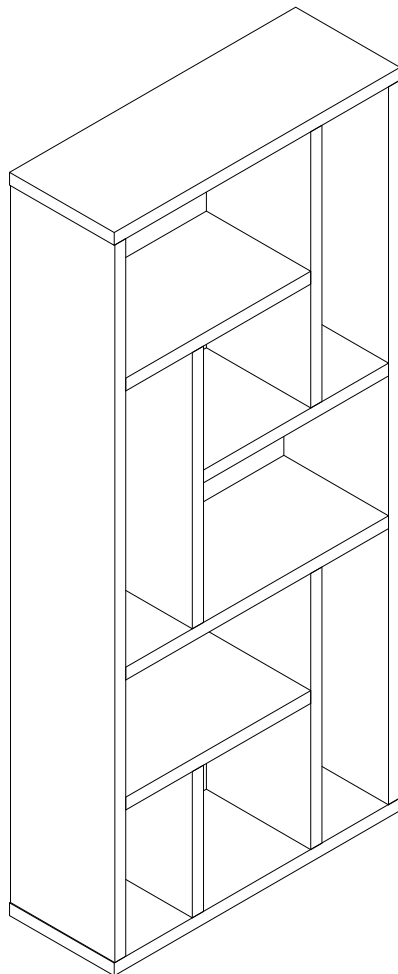
ASSEMBLY INSTRUCTION

PLEASE READ BEFORE ASSEMBLING!

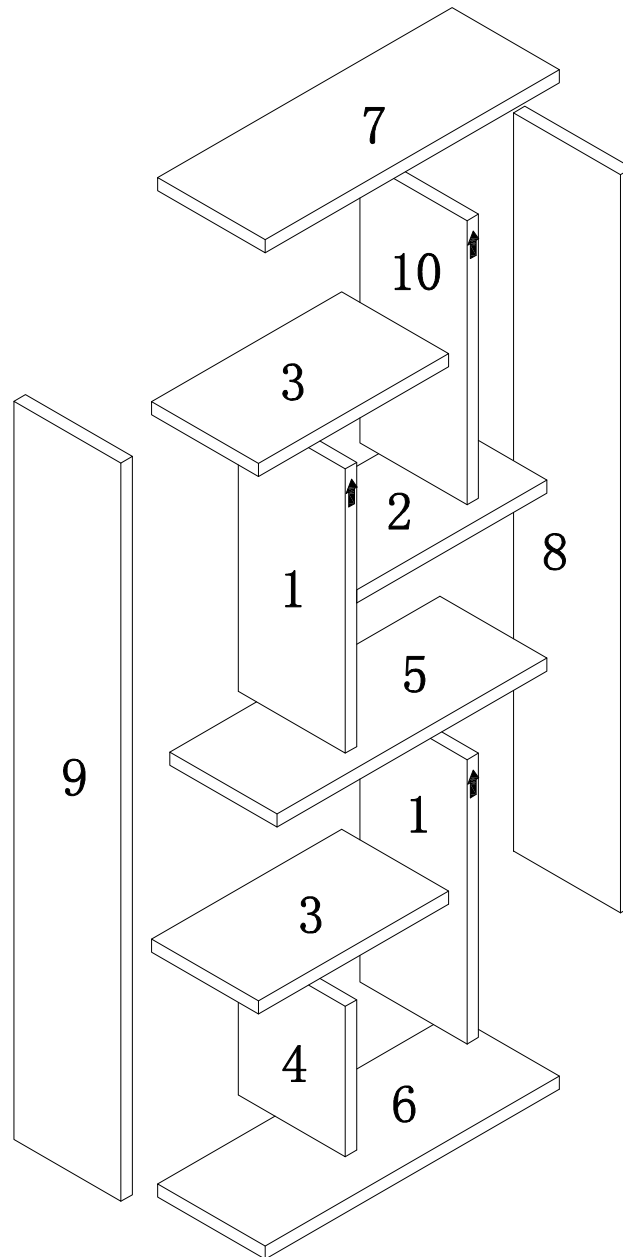
Tip #1: Make sure you've taken all the pieces and hardware out of its packaging before discarding the box.

Tip #2: Using page 2 and/or page 3 of instruction manual make sure all pieces and hardware are accounted for.

Tip #3: Read manual before assembling, it helps!




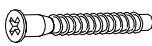
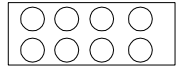

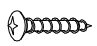
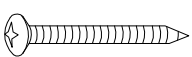
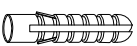

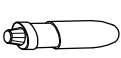


PARTS IDENTIFICATION



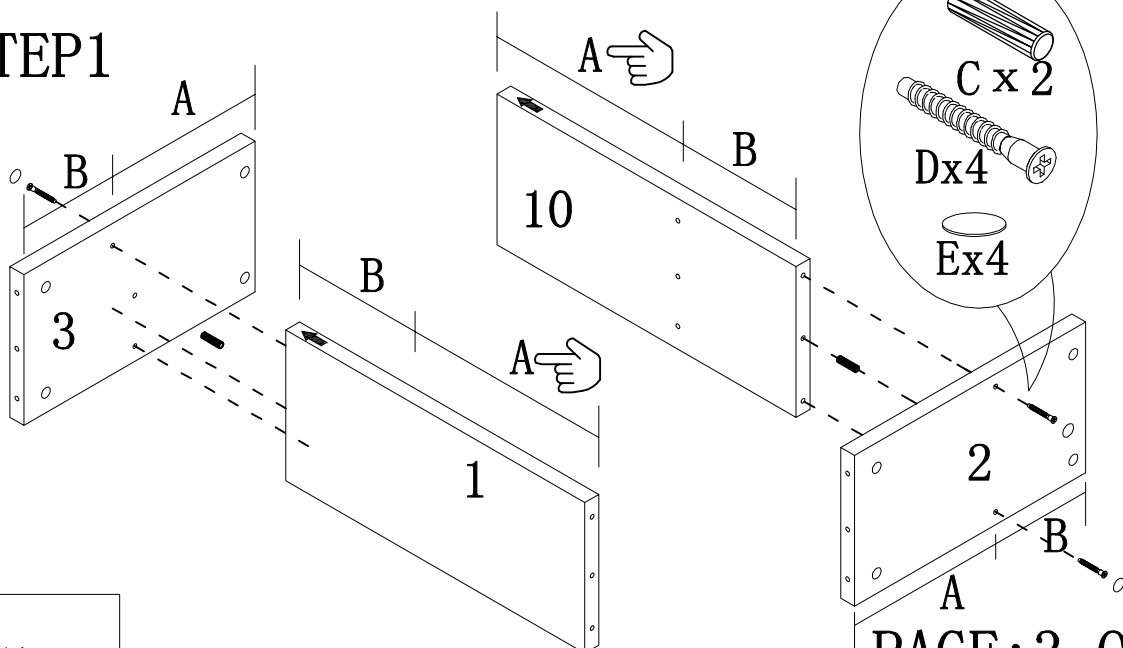
(1)	2pcs	(5)	1pc	(9)	1pc
(2)	1pc	(6)	1pc	(10)	1pc
(3)	2pcs	(7)	1pc		
(4)	1pc	(8)	1pc		

HARDWARE IDENTIFICATION

A		$\phi 15$	16pcs
B		L29	16pcs
C		$\phi 8 \times 25$	20pcs
D		$\phi 7 \times 58$	24pcs
E		$\phi 18$	40pcs
F		$197 \times 5 \times 1$	1pc
G		$\phi 4 \times 25$	1pc
H		$\phi 5 \times 40$	1pc
I		$\phi 8 \times 40$	1pc
J		$12 \times 12 \times 1$	2pcs
K		Glue: For securing please apply to wood dowel first before inserting into panel	1pc

ASSEMBLY INSTRUCTION

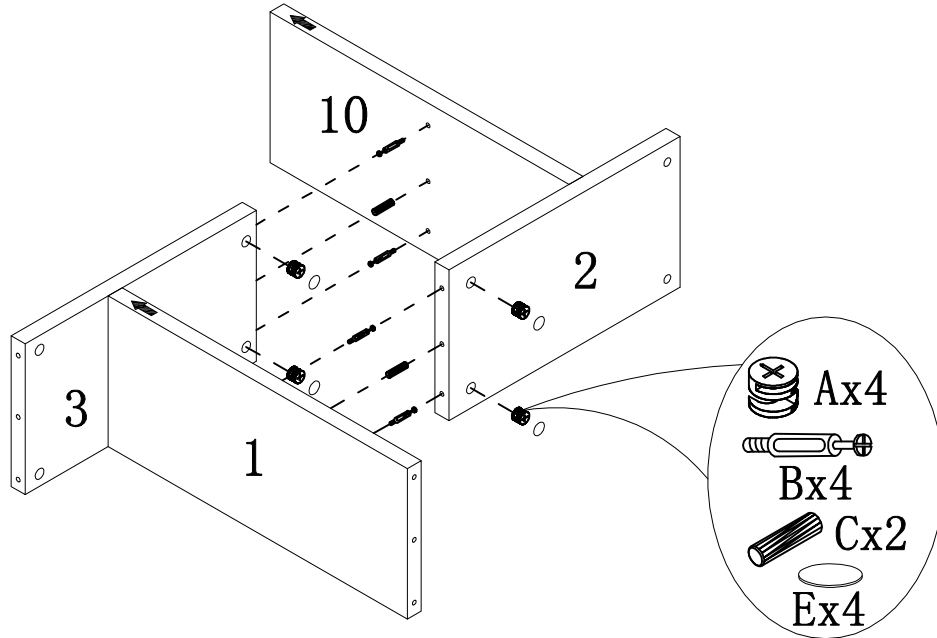
STEP 1



A>B

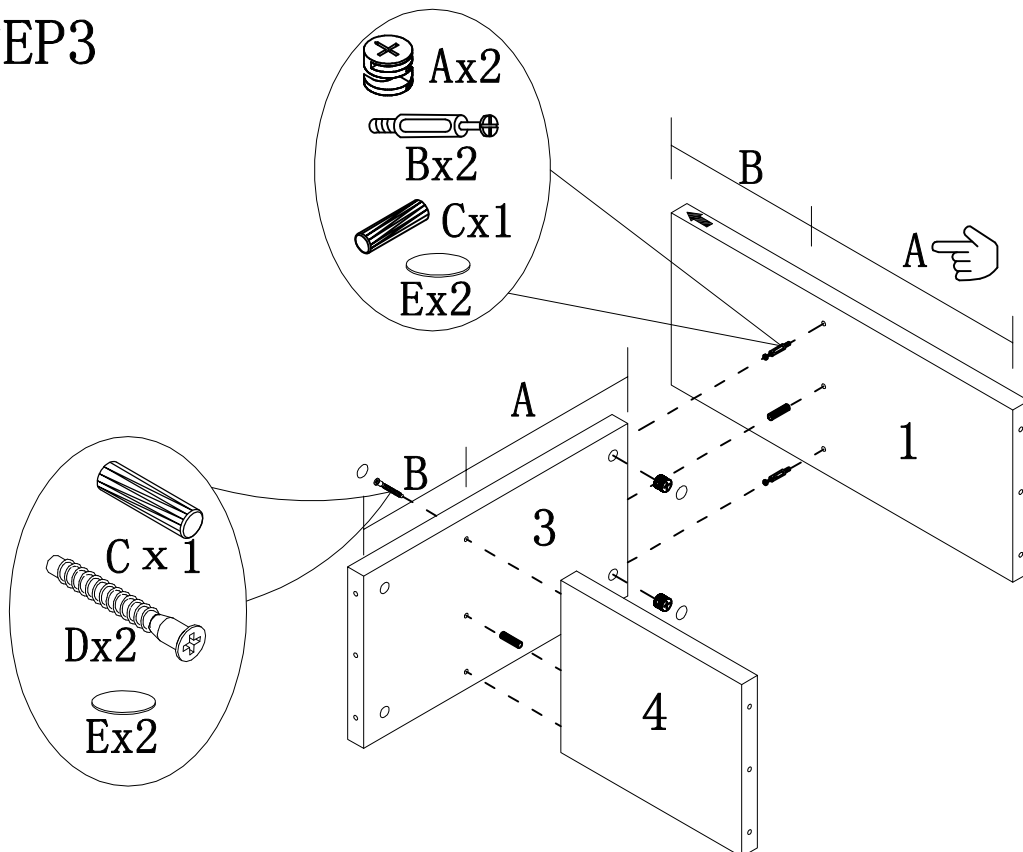
PAGE: 3 OF 6

ASSEMBLY INSTRUCTION



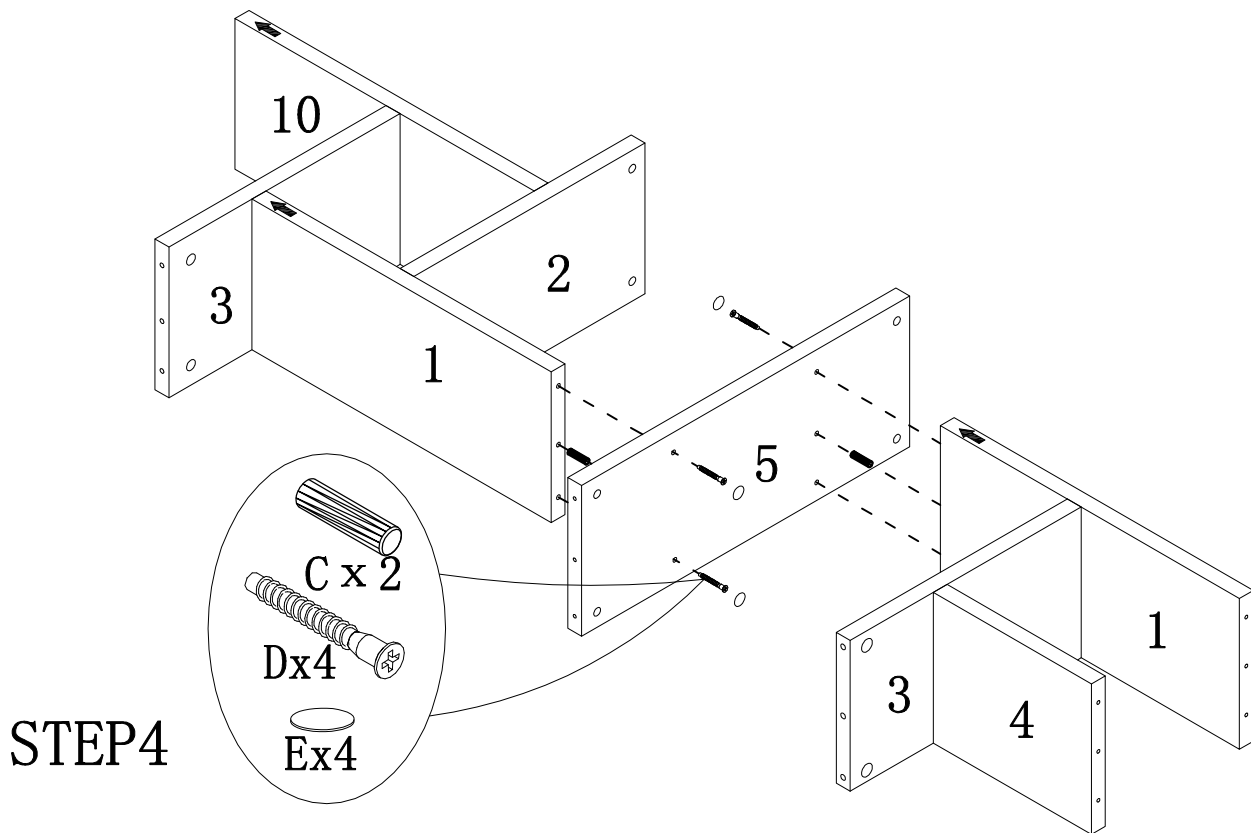
STEP2

STEP3

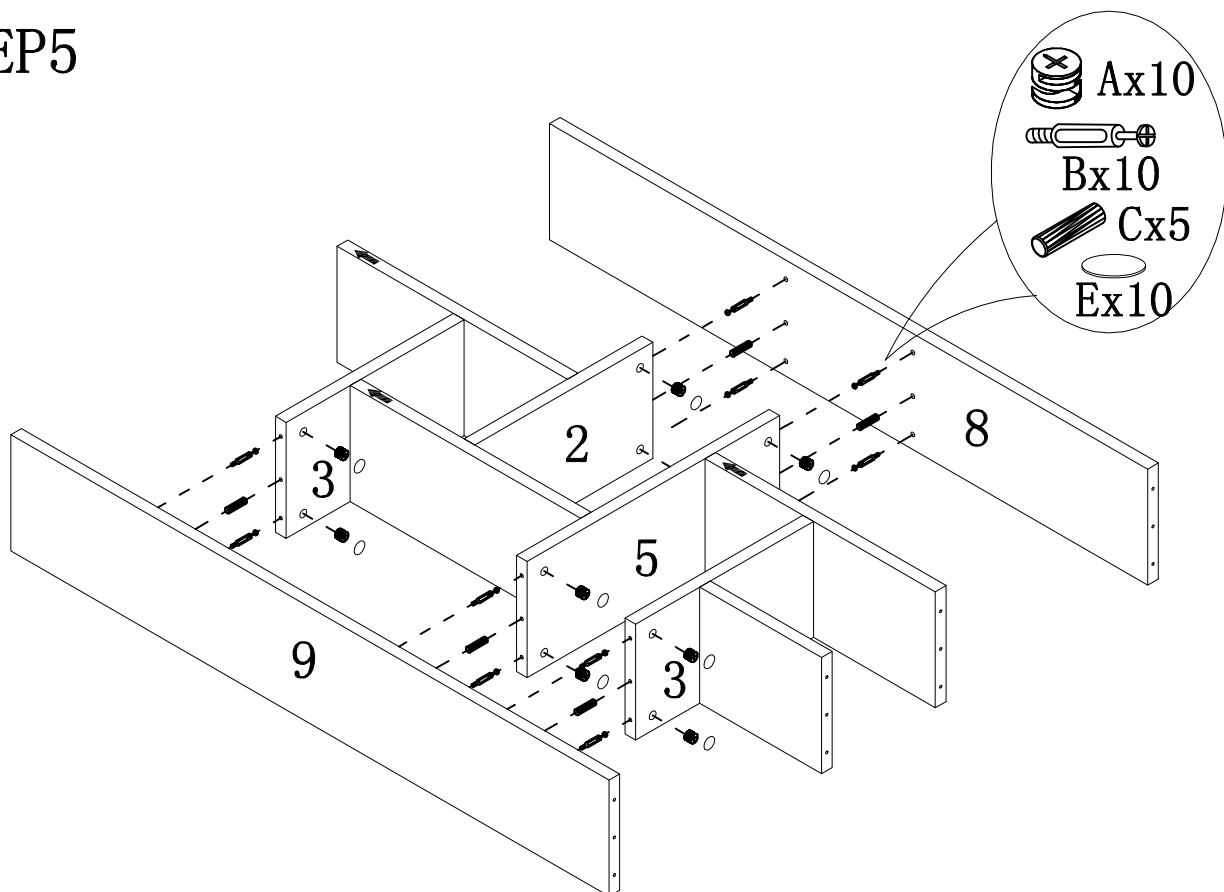


A>B

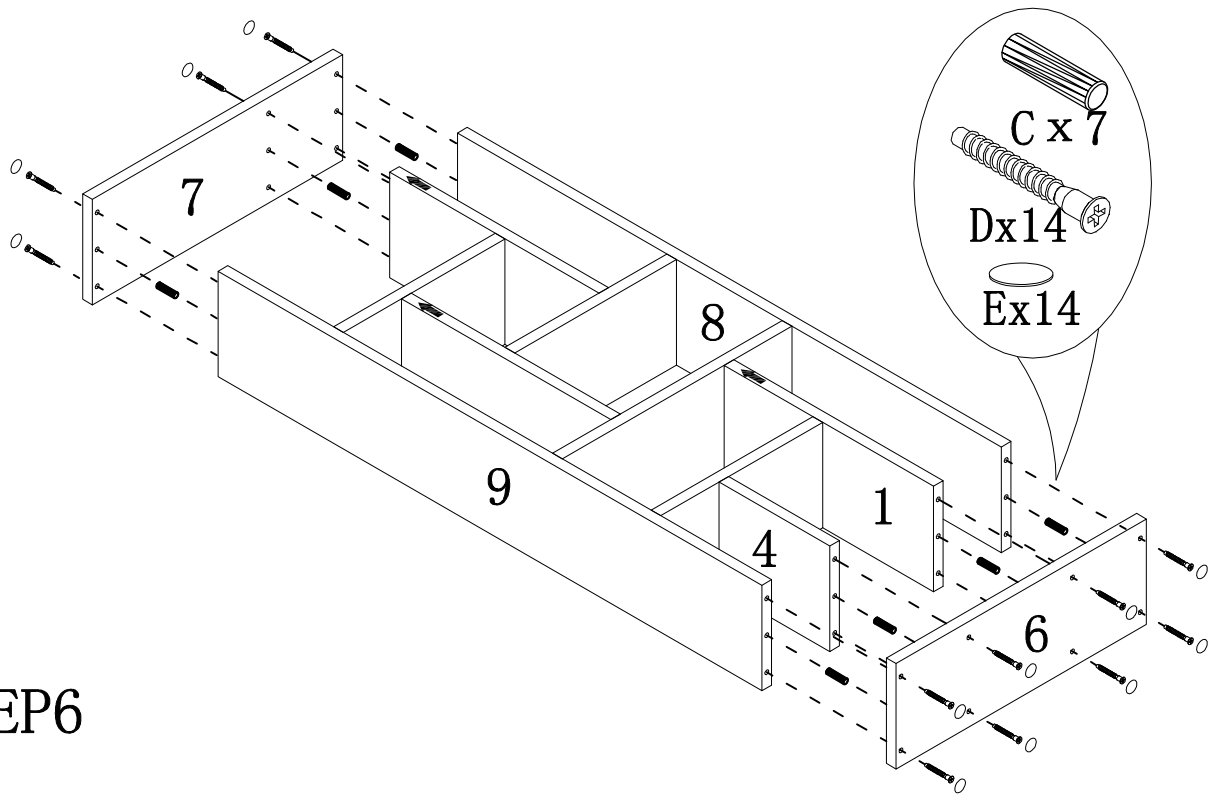
ASSEMBLY INSTRUCTION



STEP5

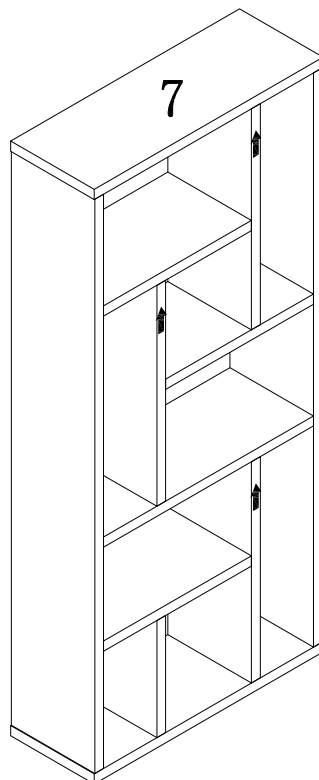


ASSEMBLY INSTRUCTION



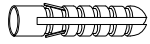
STEP6

STEP7

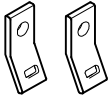


ANTI-TIPPING STRAP INSTRUCTION

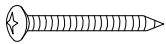
HARDWARE (INCLUDED) :



DRYWALL ANCHOR $\phi 8 \times 40$ X 1PC



METAL BRACKETS $12 \times 12 \times 1$ X 2PCS



DRYWALL SCREW $\phi 5 \times 40$ X 1PC

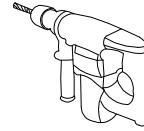


STRAP $197 \times 5 \times 1$ X 1PC

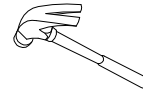


FLATHEAD SCREW $\phi 4 \times 25$ X 1PC

TOOLS NEEDED (NOT INCLUDED) :



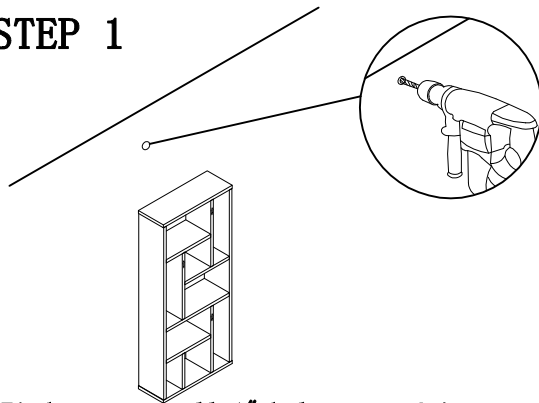
DRILL & DRILL BIT



LIGHT HAMMER

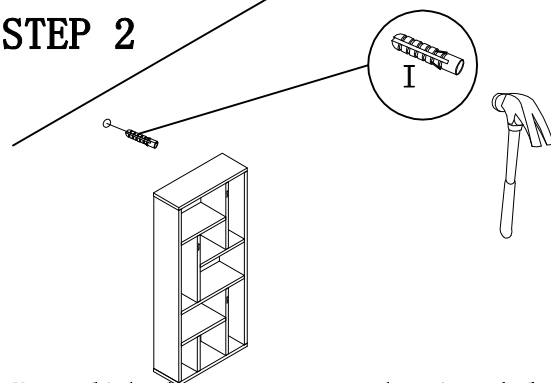
Note: Hardware included only compatible with standard drywalls.

STEP 1



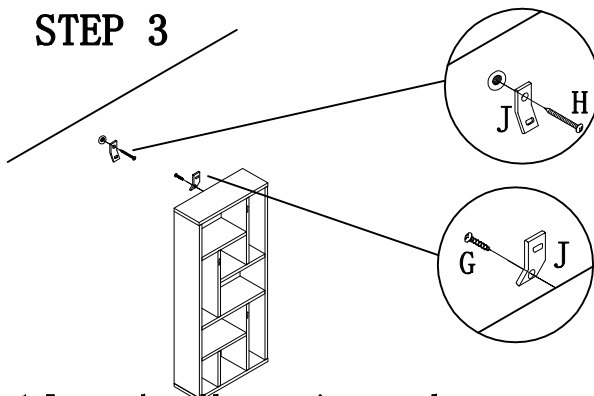
1. Find spot on wall 1" below top of item.
2. Using a drill bit slightly thinner than anchor, drill hole into drywall.

STEP 2



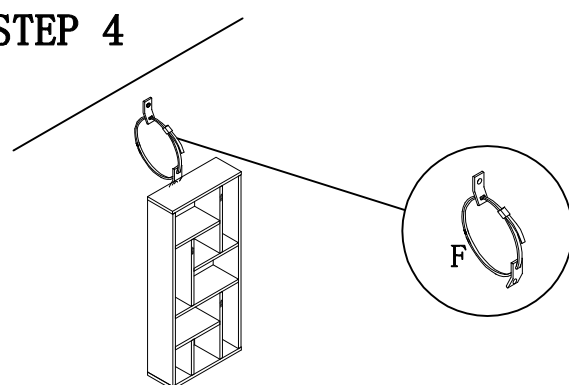
1. Use a light hammer to tap anchor into hole.
2. Anchor should fit snugly. If hole is too small, drill again to increase hole size. Do not force anchor into wall.

STEP 3



1. Insert drywall screw into metal bracket and into drywall anchor.
2. Insert flathead screw into second metal bracket and into back of item along top edge.

STEP 4



1. Insert strap thru bracket attached to wall, then thru bracket on item, and into head of strap.
 2. pull lightly til strap stops.
- Assembly is complete.