


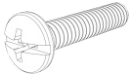


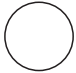
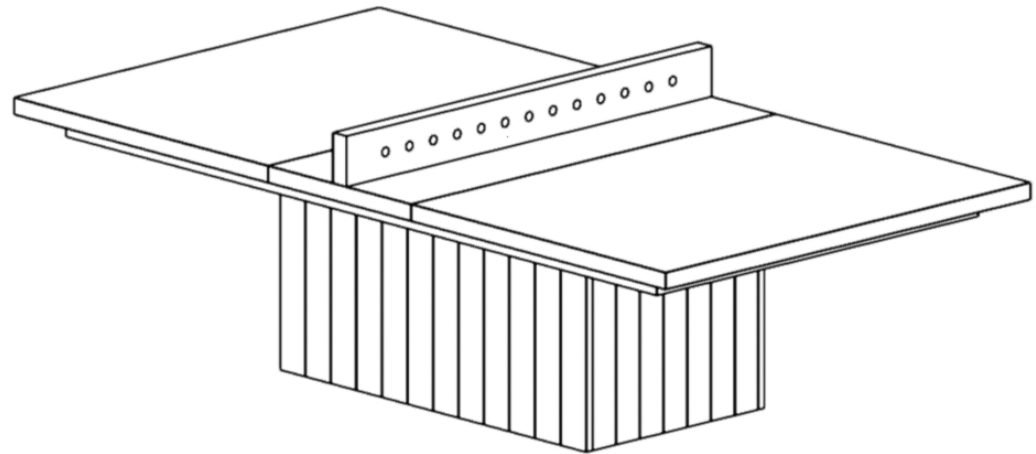


HARDWARE LIST

A	TABLETOP FIX PLATE		1 PCS.
B	TABLE BASE		1 PC.
C	NET		1 PC.
D	SCREW 1 1/4"		16 PCS.
E	WASHER		16 PCS.
F	RACKET		4 PCS.
G	BALL		4 PCS

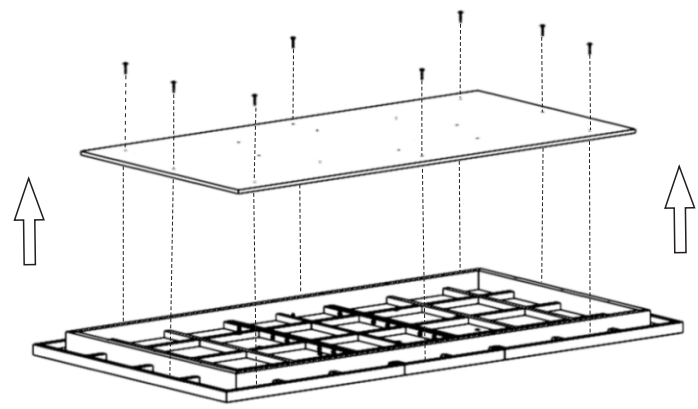


“HEAVY ITEM HANDLE WITH CARE.

NOTE: SCREWDRIVER NOT INCLUDED

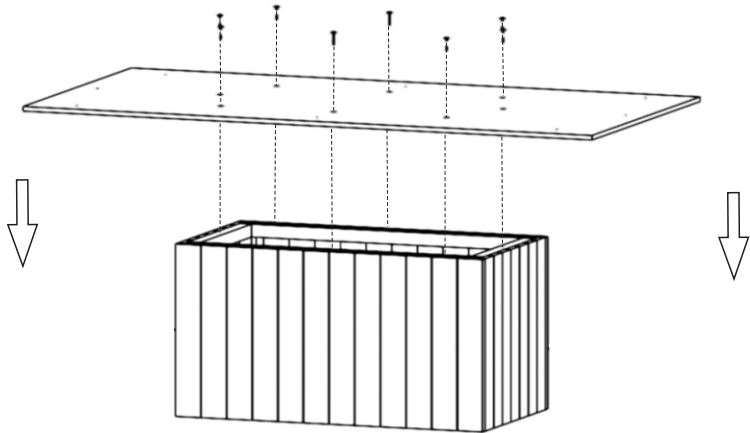
ASSEMBLY INSTRUCTIONS FOR PING PONG OUTDOOR

1

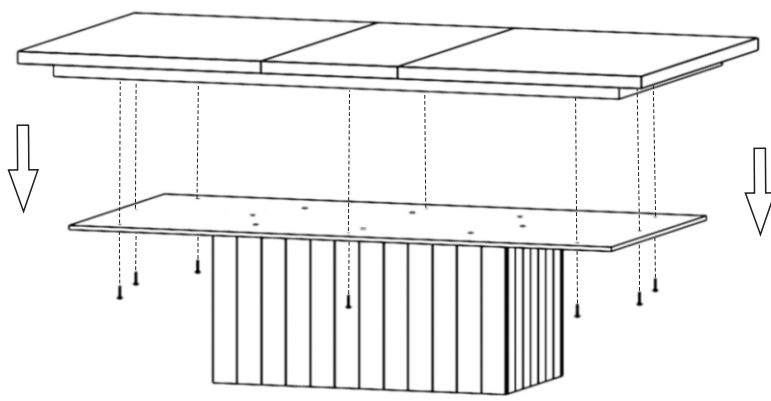


THIS PART INCLUDE 8 OF 16 SCREWS AND 8 OF 16 WASHERS

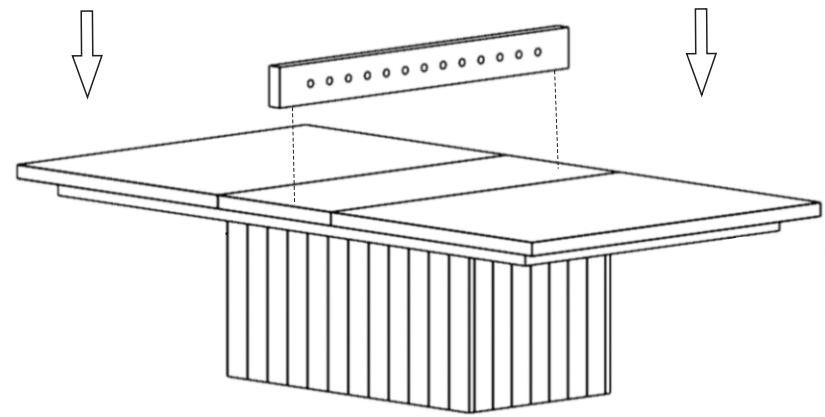
2

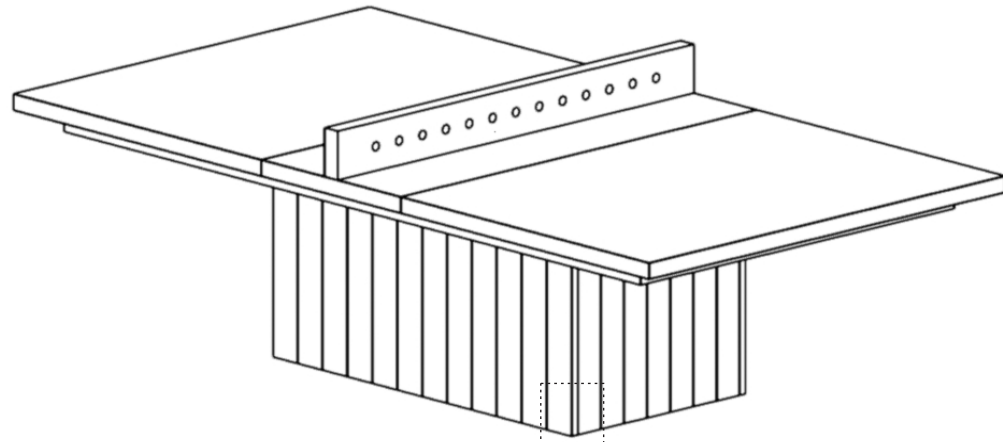


3



4





Adjusting Floor Levelers

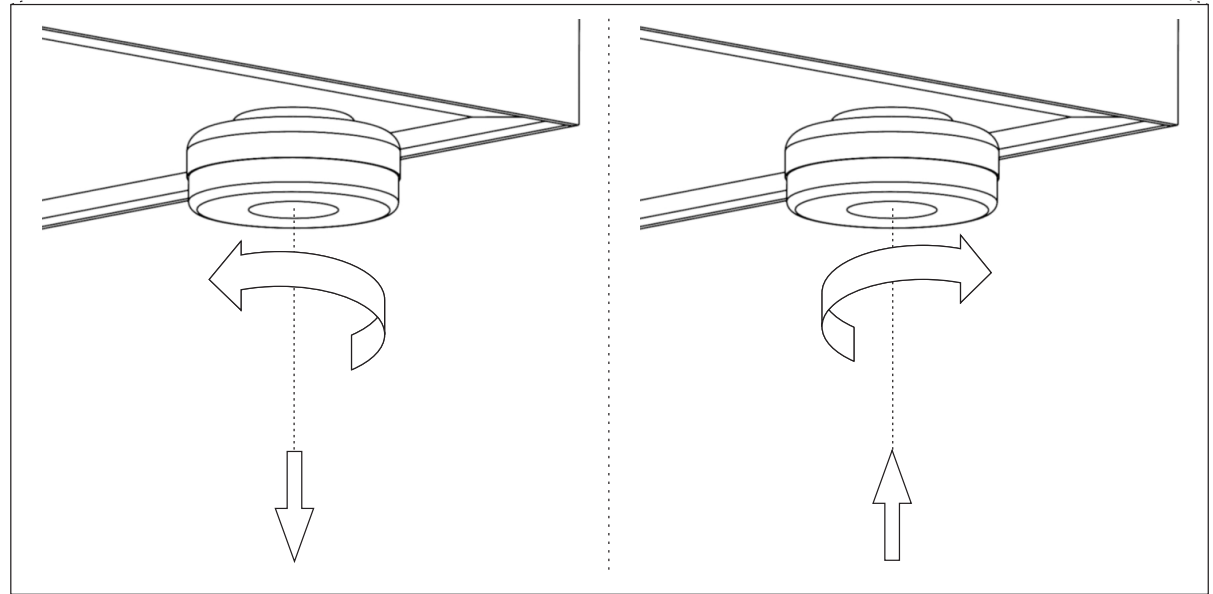
Your furniture has been expertly crafted and pre-adjusted by professionals. However, slight shifts can occur during transportation. If you notice that the doors are not perfectly aligned or the furniture wobbles, a quick adjustment can help ensure stability and a seamless look.

Adjust the Floor Levelers

Check for Stability – Place the furniture in its final position on a level surface. If it wobbles or doesn't sit evenly, the floor levelers need adjusting.

Locate the Levelers – These are small adjustable feet found at the bottom corners of your furniture.

Adjust as Needed – Using your hand or a wrench, turn the levelers clockwise to raise or counterclockwise to lower the furniture. Make small adjustments and check stability after each turn.



ADJUST LEVELER FOR BALANCE