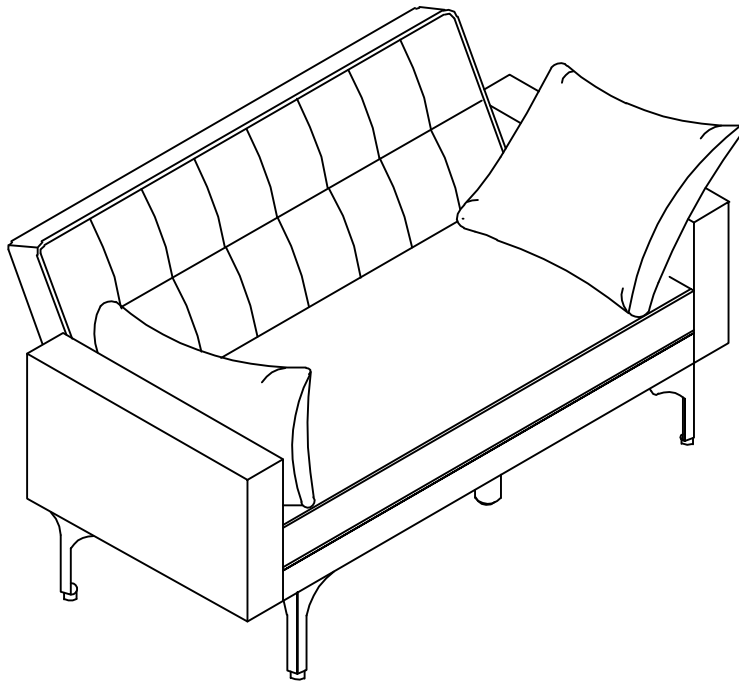
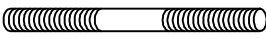
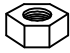




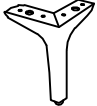
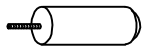

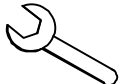


Assembly Instructions

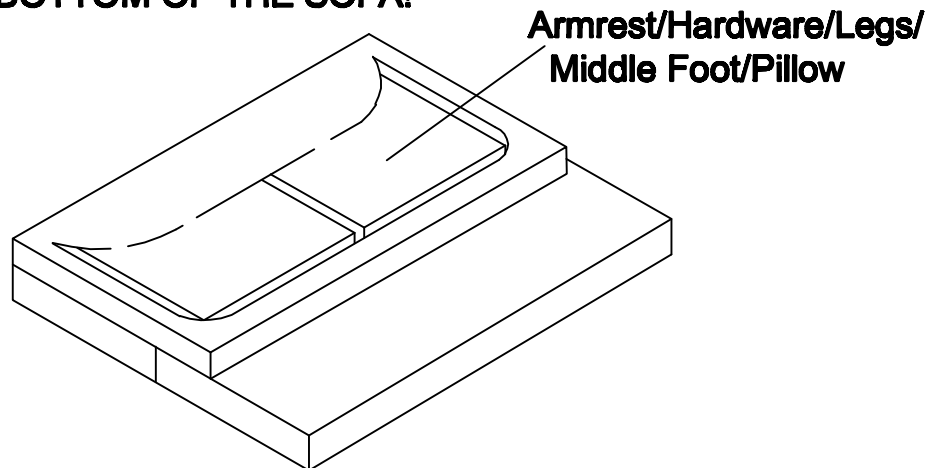


PARTS LIST AND ASSEMBLY STEPS

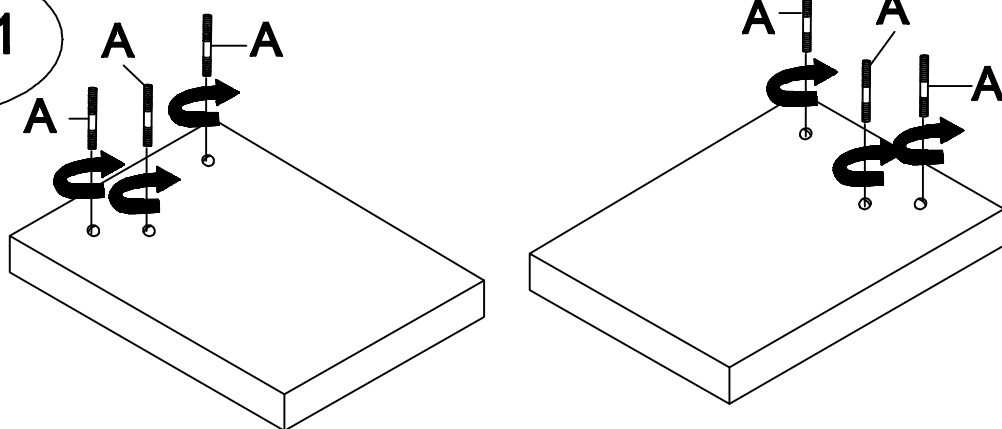
PARTS LIST

(A) Bolt-\varnothing5/16"X4"-6pcs 	(B) Nut-6pcs 	(C) Bolt-\varnothing1/4"X1-1/4"-8pcs 	(D) Screw-16pcs 
(E) Flat Washer- \varnothing5/16"X22-6pcs 		(F) Flat Washer- \varnothing1/4"X19-8pcs 	
(G) Legs-4pcs 	(H) Middle Foot-1pc 	(I) Allen Key-1pc 	(J) Spanner-1pc 

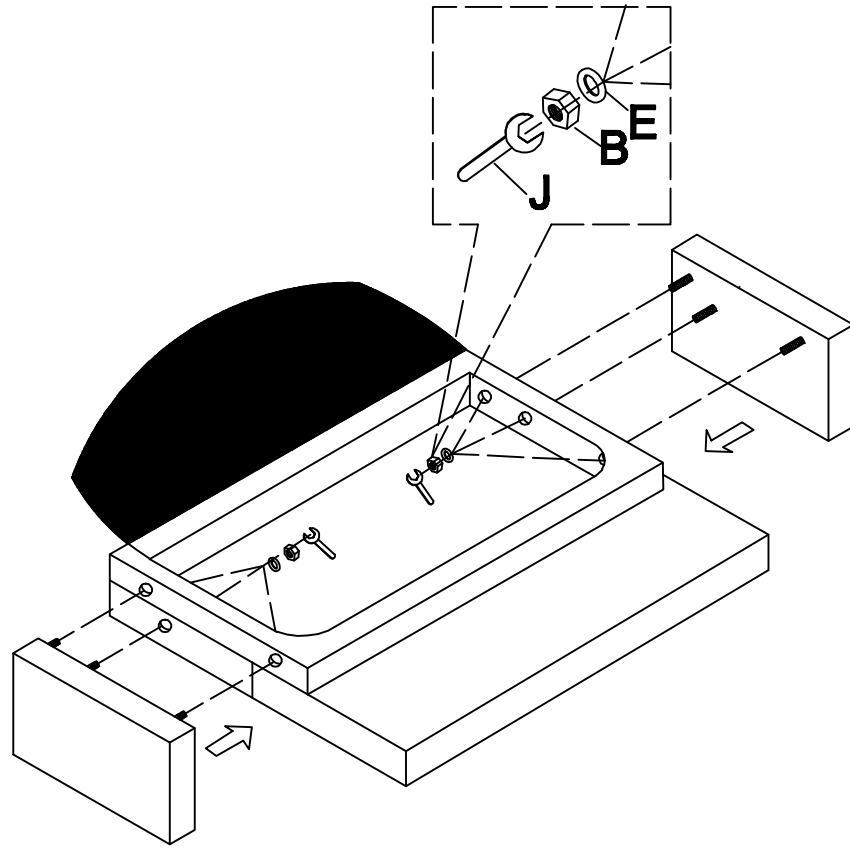
ATTENTION: PILLOW AND ARMREST/HARDWARE/LEGS/MIDDLE FOOT/ PILLOW ON THE BOTTOM OF THE SOFA!



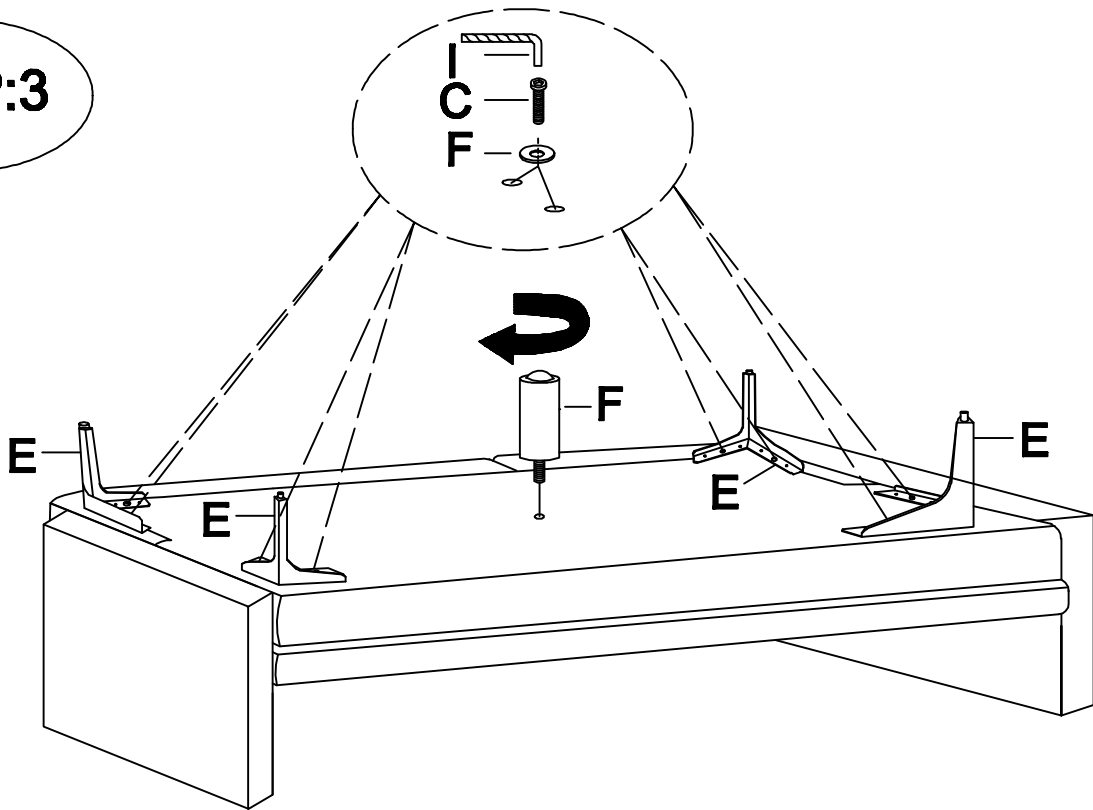
STEP:1



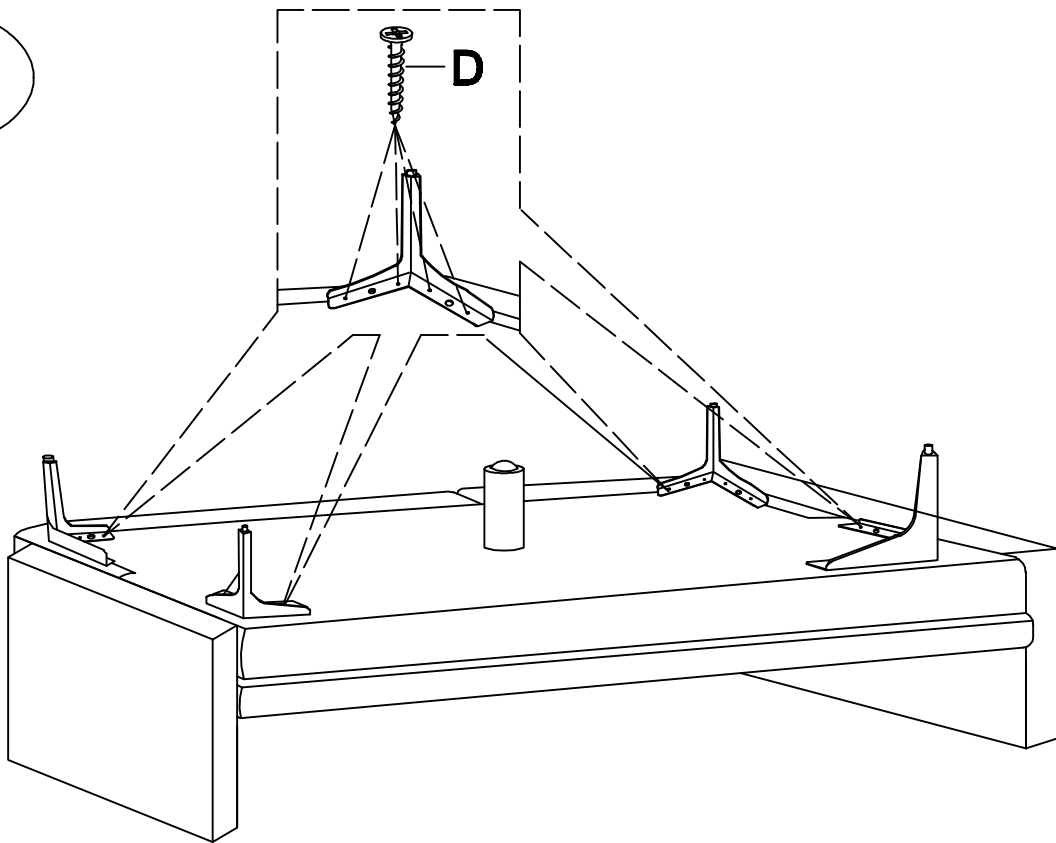
STEP:2



STEP:3



STEP:4



STEP:5

