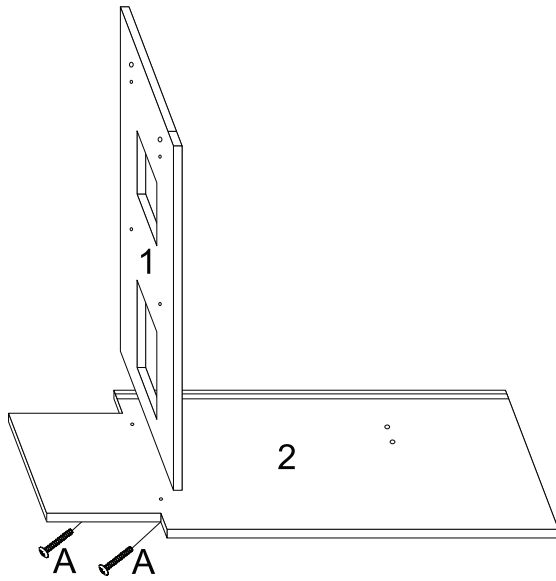
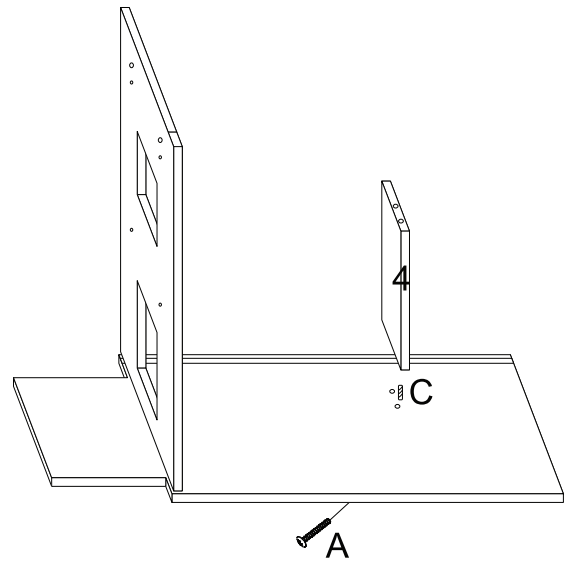


**Step ①**



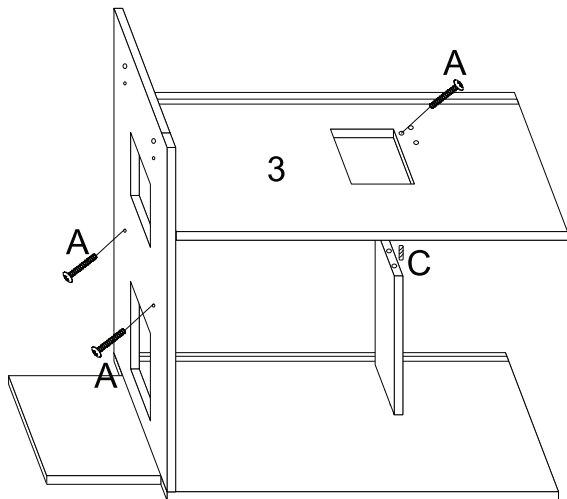
Use A screw to lock No.2 panel on No.1 panel.

**Step ②**



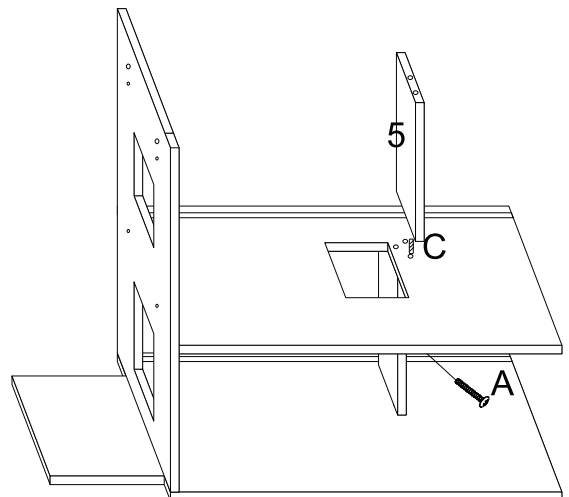
Insert C(wooden dowel) in No.4 panel bottom, joint it to No.2 panel, use A screw to No.4 panel on No.2 panel.

**Step ③**



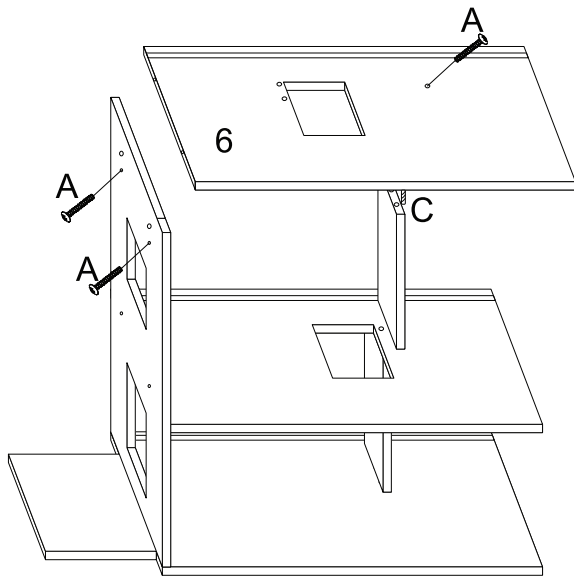
Insert C(wooden dowel) in No.4 panel top, joint it to No.3 panel, use A screw to lock No.3 panel on No.1 and 4 panel.

**Step ④**



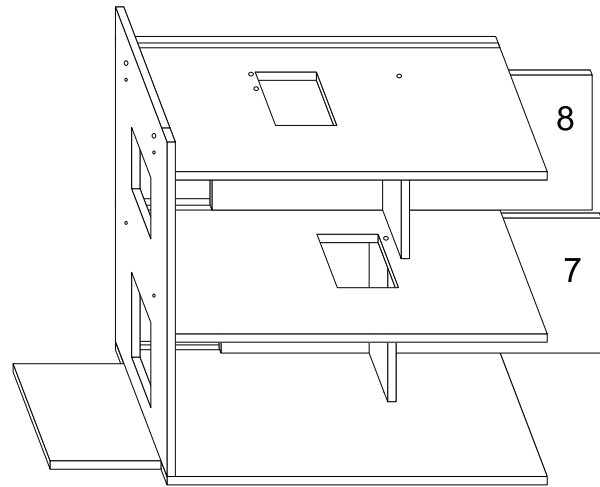
Insert C(wooden dowel) in No.5 panel bottom, joint it to No.3 panel, use A screw to lock No.5 panel on No.3 panel.

**Step 5**



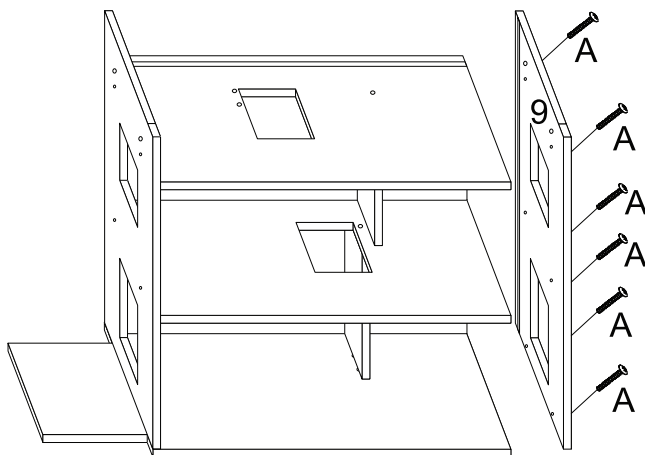
Insert C(wooden dowel) in No.5 panel top, joint it to No.6 panel, use A screw to lock No.6 panel on No.1 and 5 panel.

**Step 6**



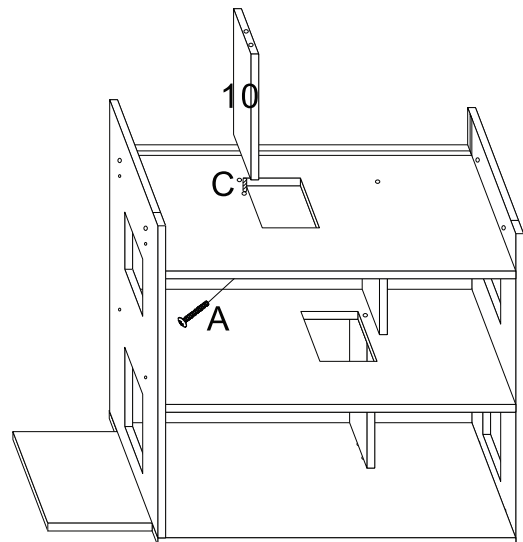
Insert No.7 and 8 panel in backside groove.

**Step 7**



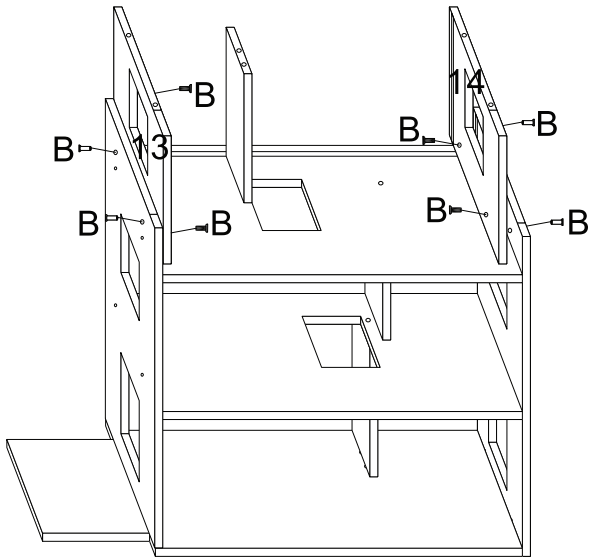
Use A screw to lock No.9 panel, on leftside all boards.

**Step 8**



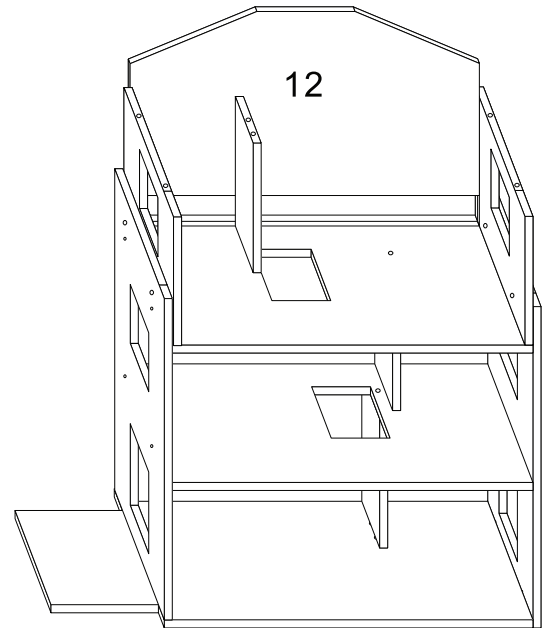
Insert C(woode dowel) in No.10 panel bottom, joint it to No.6 panel, use A screw to lock No.10 panel on No.6 panel.

**Step 9**



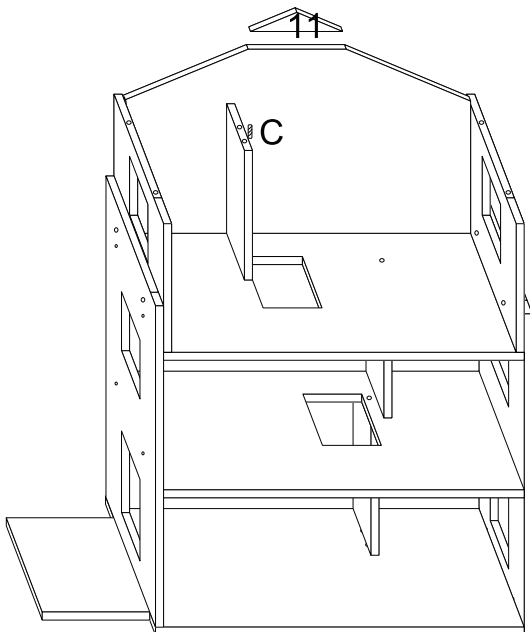
Insert B(female) in No.13 and 14 panel, use B(male) to across No.1 and 9 panel, to lock No.13 and 14 panel.

**Step 10**



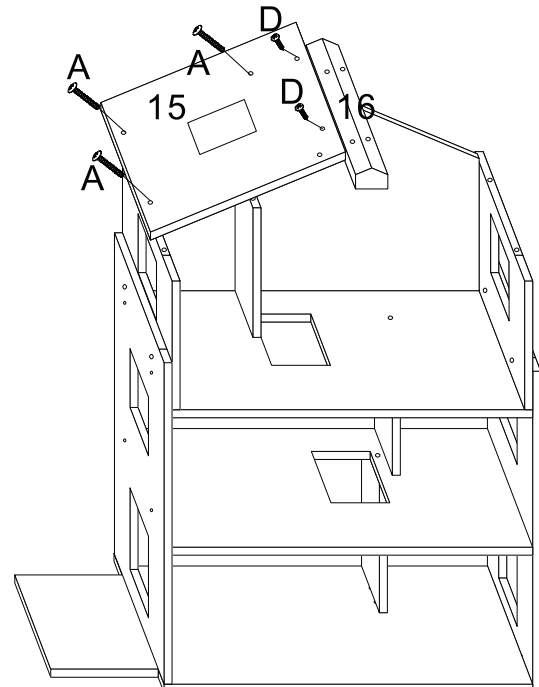
Insert No.12 panel in top backside groove.

**Step 11**



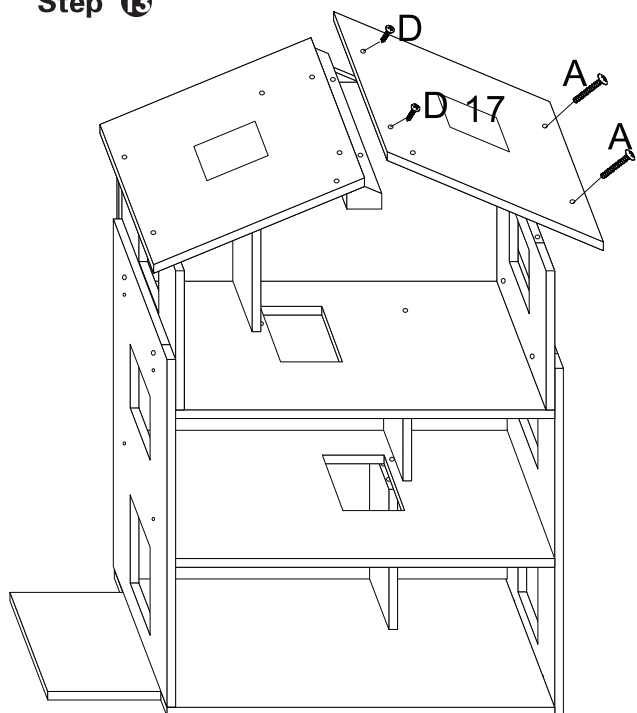
Insert C(wooden dowel) in No.10 panel top, put No.11 panel on No.12 panel top.

**Step 12**



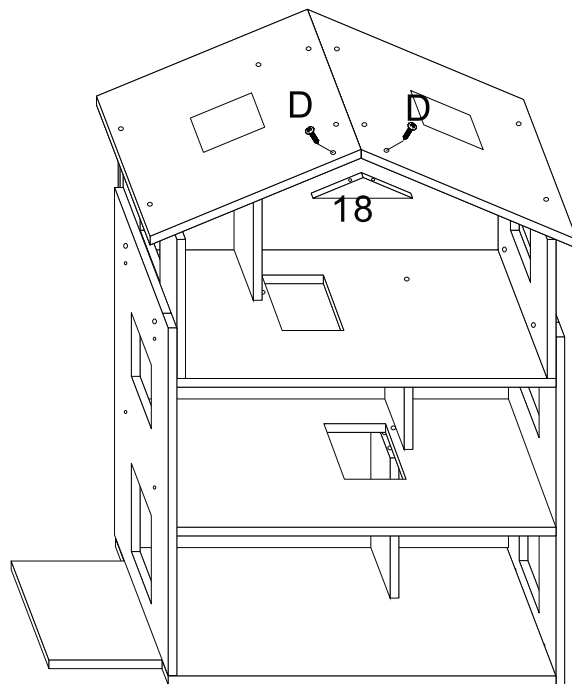
Put No.16 panel on No.11 panel, then use D screw to lock No.16 panel on No.15 panel, joint No.10 panel to No.15 panel, use A screw to lock No.15 panel on No.10 and 13 panel.

Step 13



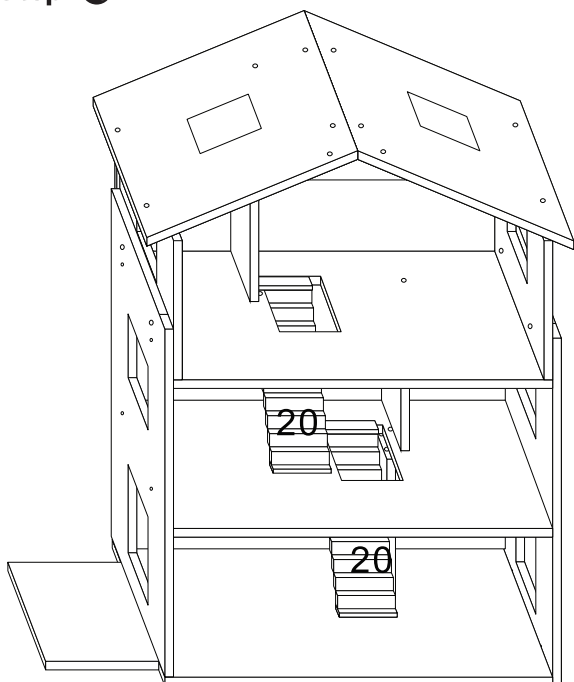
Use D screw to lock No.17 panel on No.16 panel, use A screw to lock No.17 panel on No.14 panel.

Step 14



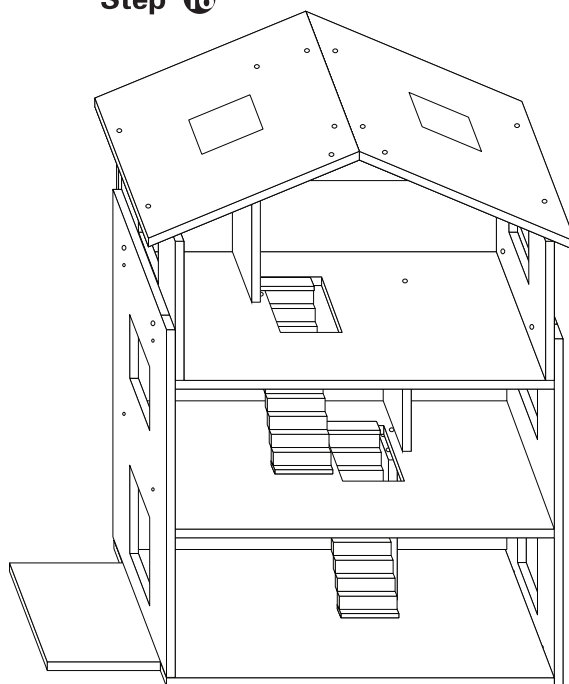
Use D screw to lock No.18 panel on No.15 and 17 panel.

Step 15



Put No.20(downstair) 2pcs.

Step 16



Finish the product assembly.  
Attention: according to your taste,  
put all furnitures in doll house.



**WARNING:**

**CHOKING HAZARD – Small parts.  
Not for children under 3 years.**