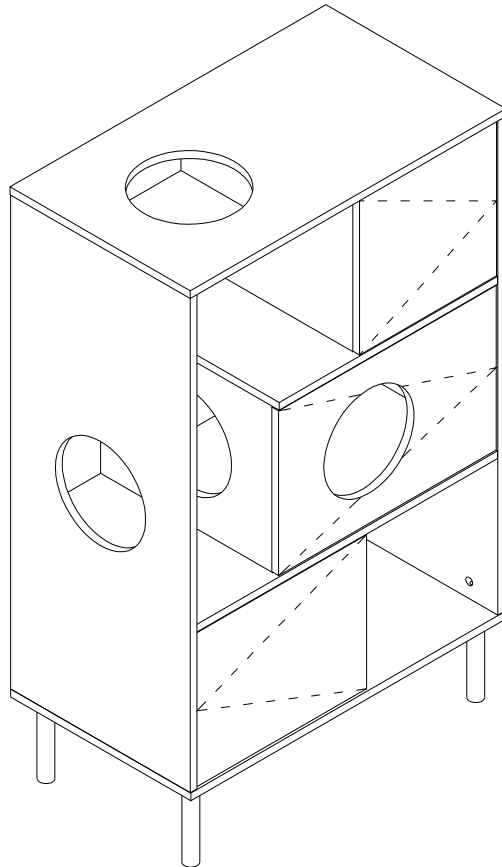





N843P254701N

Product manual



Importeur	Decobus Handel GmbH
Adresse	Innungsstraße 9,21244 Buchholz, Deutschland
URL	https://www.decobusgroup.de
Hersteller	Sichuan Subei E-commerce Co.,Ltd
Adresse	Floor 3, Room 301, Building B1, Minghu Science and Technology Park, No. 99, Chenke Street, in the middle of Chenxi Avenue, Chongzhou City, Chengdu
Email/URL	ivanwang2010@126.com
EC REP	Decobus Handel GmbH Innungsstraße 9,21244 Buchholz, Deutschland https://www.decobusgroup.de

 2PERS	 45 MIN	<p><u>Tool Required Not Provided</u></p> 
--	---	---



Warning: Please read these instructions fully before starting assembly. Check you have all the components and tools listed on pages. Keep the instructions for later reference. Parts of the assembly will be easier with 2 people. Seek professional assistance if necessary.

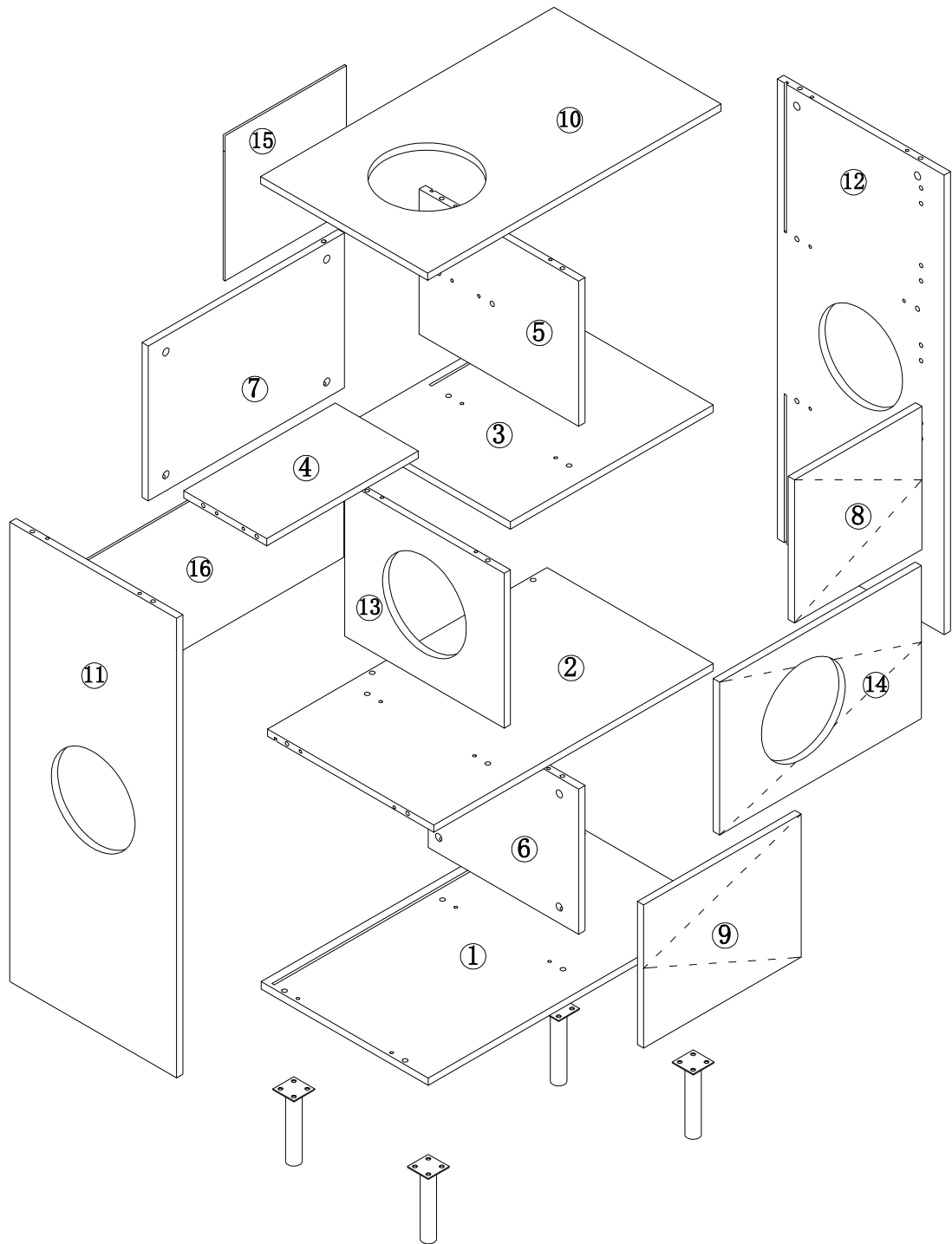
Warning: Please place all parts on a flat surface. Place a soft blanket or similar underneath to protect against scratches or stains. Avoid dragging or sliding components across the floor.

Warning: Regularly check all fittings and fastenings to ensure they are secure and to prevent accidents. If any parts are missing, broken, damaged, or worn, discontinue use of the product until repairs have been made using factory authorized parts.

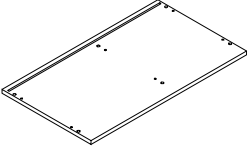
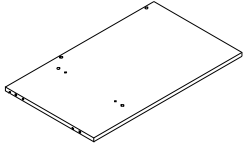
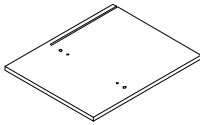
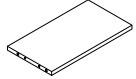
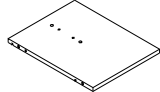
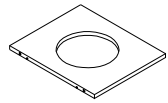
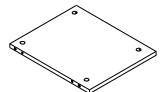
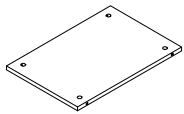
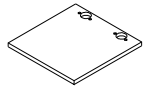
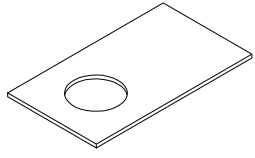
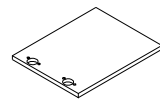
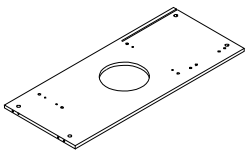
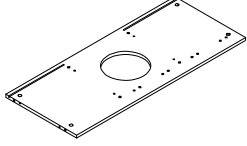
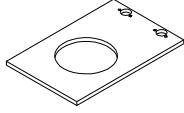
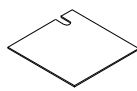
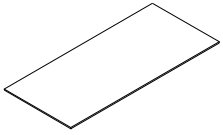
Warning: Do not allow children to climb on the furniture as this may result in tipping and serious personal injury. Assemble the furniture away from the reach of children.

Warning: Do not place furniture close to fire sources or high-temperature objects to avoid the risk of fire. Do not place furniture in damp environments to prevent material damage.

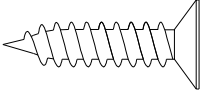
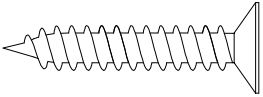
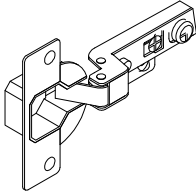
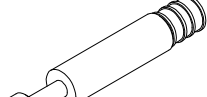
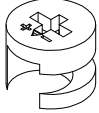
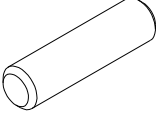
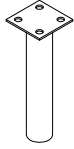
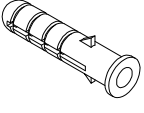
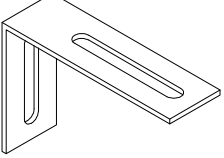
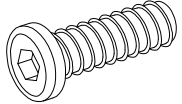
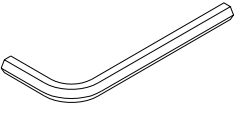
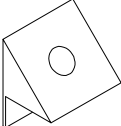


Warning: Clean furniture with a damp cloth or alcohol, avoid using cleaning agents containing corrosive chemicals.

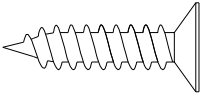
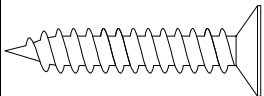


**Parts List for
N843P254701N**

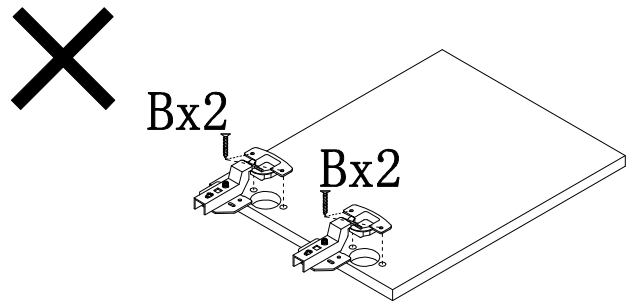
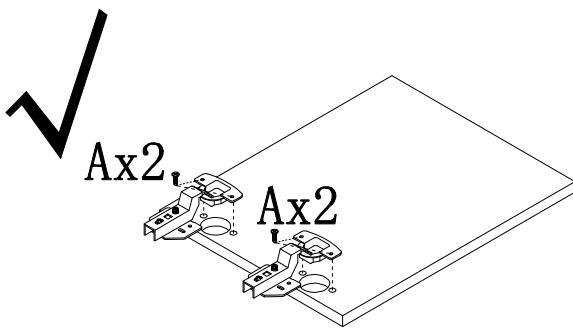
			
① x1pc	② x1pc	③ x1pc	④ x1pc
			
⑤ x1pc	⑥ x1pc	⑦ x1pc	⑧ x1pc
			
⑨ x1pc	⑩ x1pc	⑪ x1pc	⑫ x1pc
			
⑬ x1pc	⑭ x1pc	⑮ x1pc	⑯ x1pc

**Hardware List for
N843P254701N**

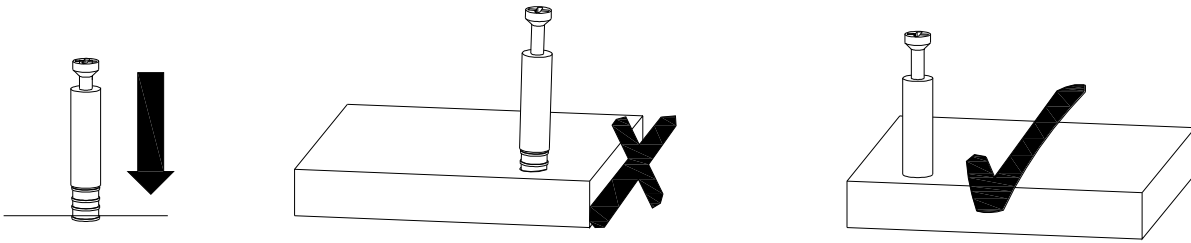
 M3.5*14mm	 M4*30mm		 M6*40mm	 φ15*12mm
Ⓐ x46pcs	Ⓑ x2pcs	Ⓒ x6pcs	Ⓓ x34pcs	Ⓔ x34pcs
 φ6*30mm	 H150mm	 30mm		 M6*10mm
Ⓕ x30pcs	Ⓖ x4pcs	Ⓗ x2pcs	Ⓘ x2pcs	Ⓙ x16pcs
 M4				
Ⓚ x1pc	Ⓛ x8pcs	Ⓜ x34pcs	Ⓝ x1pc	

	
M3. 5*14mm	M4*30mm
Ⓐ x46pcs	Ⓑ x2pcs

NOTE-1: Please note that the shapes of screws A and B are similar. Please install according to the instructions and distinguish them!

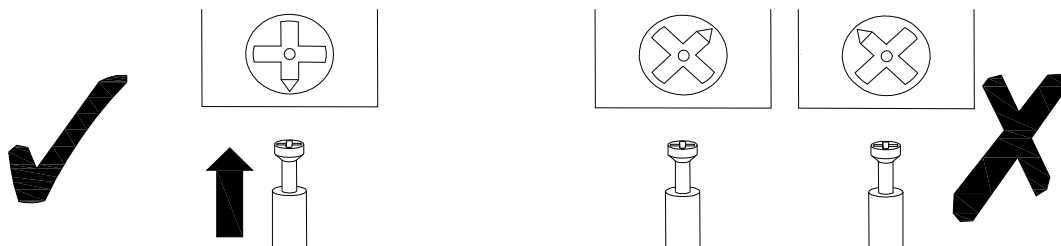


NOTE-2: Please note that this product contains multiple screws. When connecting the door panel and the side panel, be sure to use the shortest screw, type A. Using the wrong screw may cause damage to the plate parts.



NOTE-3:

QUICKFIT: Tighten quickfit until shoulder is flush with panel. Do not overtighten or undertighten

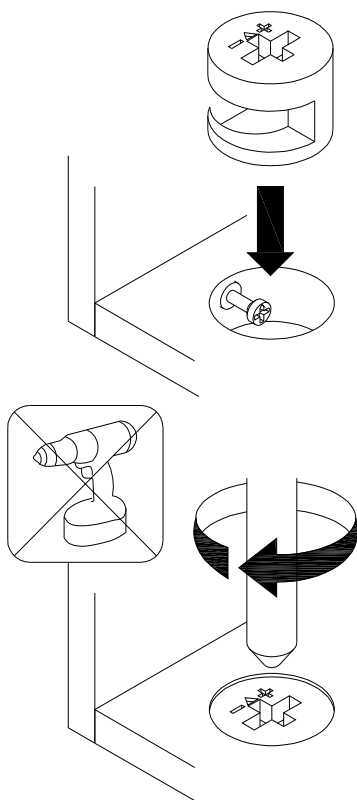


NOTE-4:

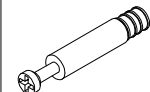
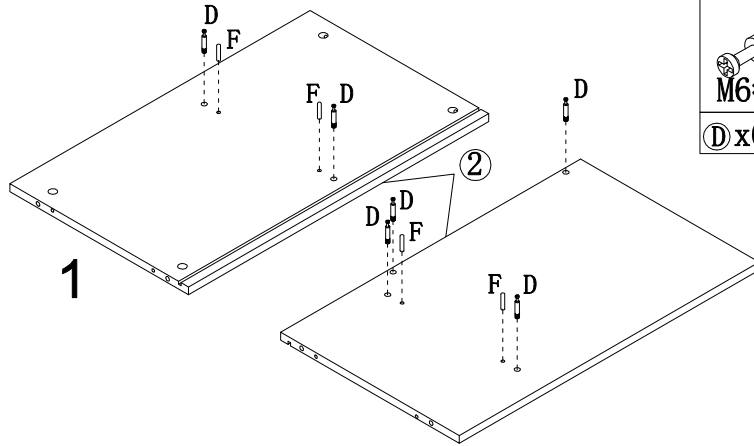
CAM LOCK: When fitting cam lock, ensure starting position is correct before you insert connecting quickfit.

NOTE-5:

Quickfit head should be in the centre of the cam lock when the two panels are joined. Camlock should be inserted before quickfit.



Step 1



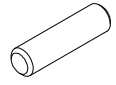
M6*40mm

ⓓ x6pcs



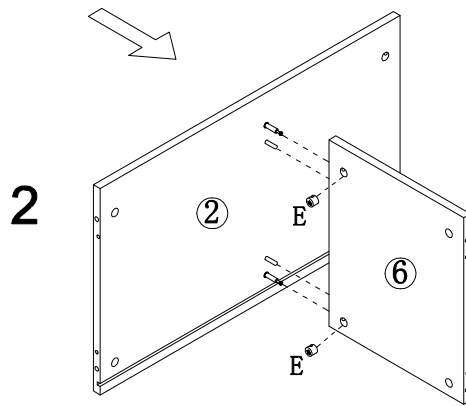
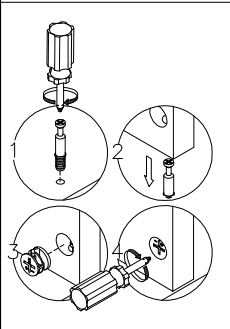
∅15*12mm

ⓔ x2pcs

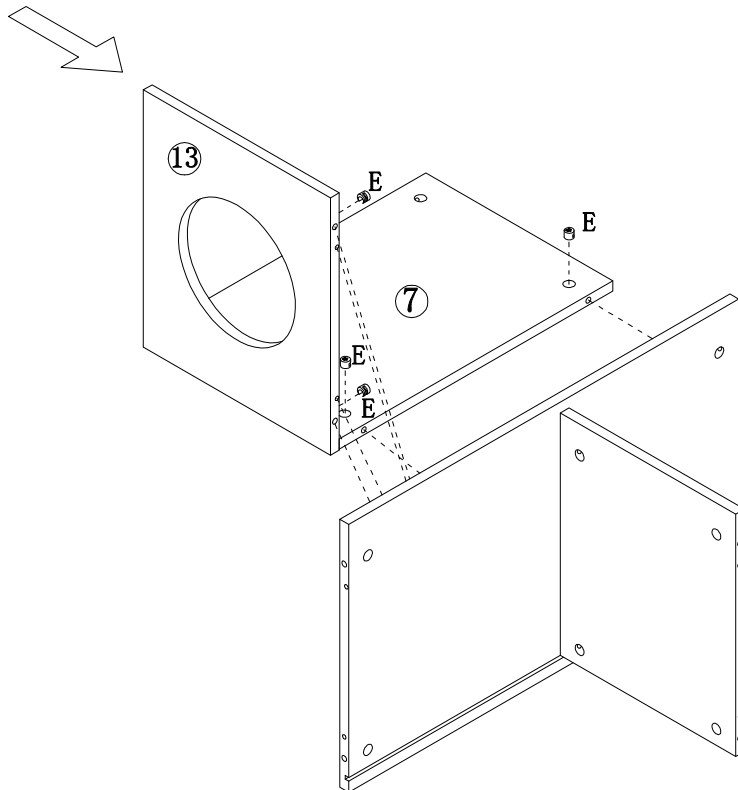


∅6*30mm

ⓕ x4pcs

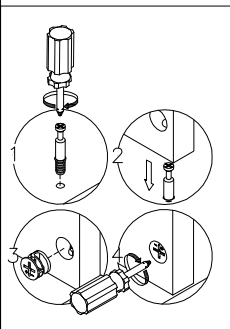


Step 2

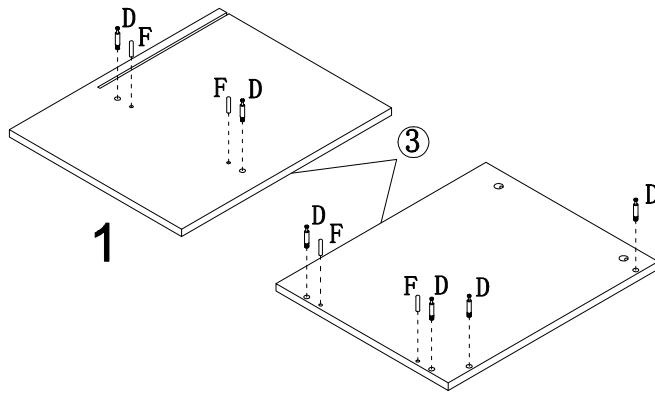


∅15*12mm

ⓔ x4pcs



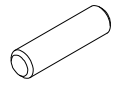
Step 3



Ⓓ x6pcs

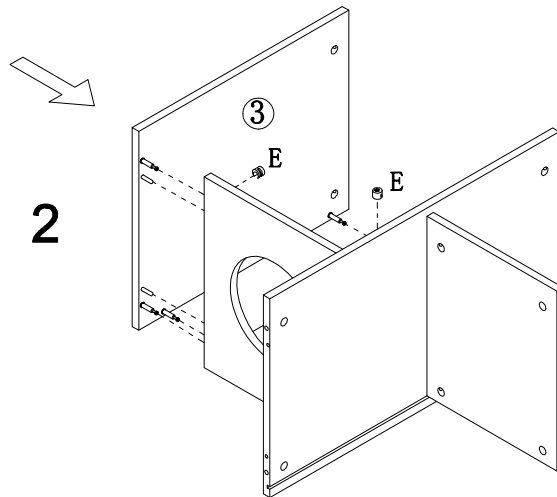
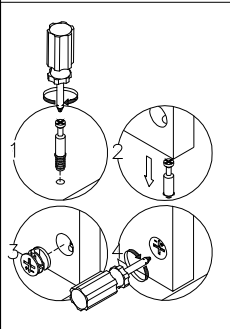


Ⓔ x4pcs

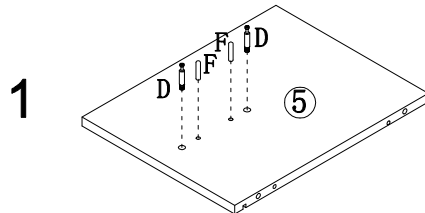


Ⓕ x4pcs

Ⓕ x4pcs



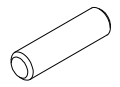
Step 4



Ⓓ x2pcs

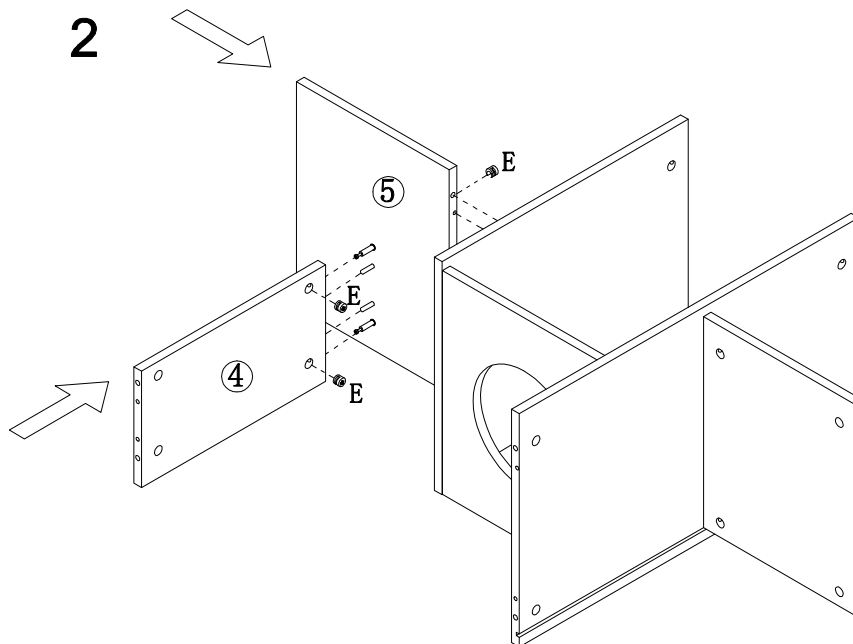
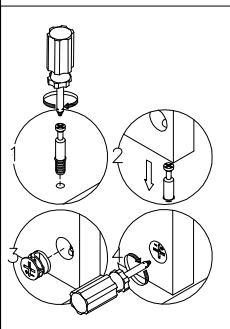


Ⓔ x4pcs

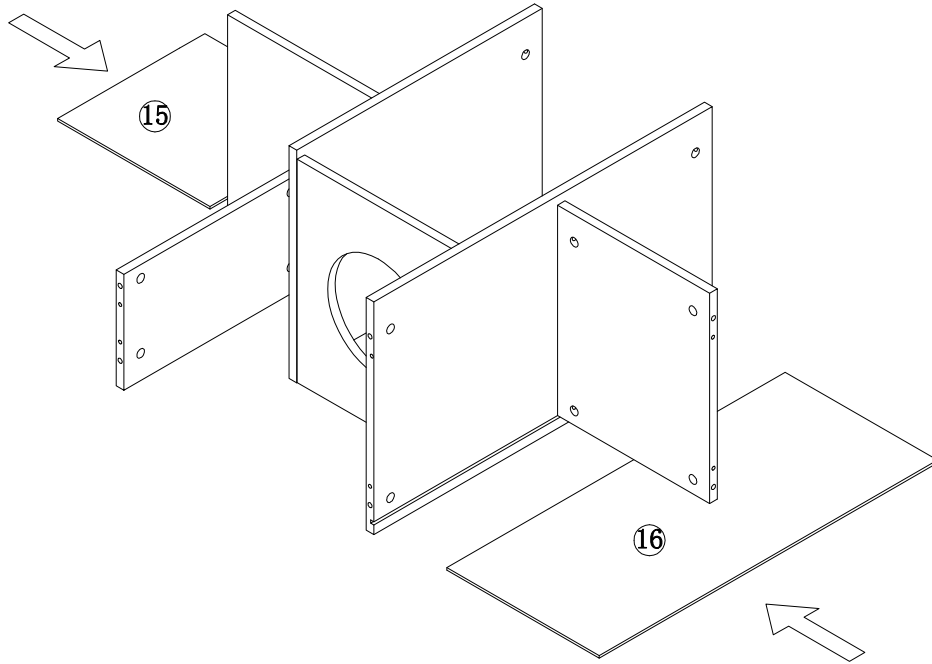


Ⓕ x2pcs

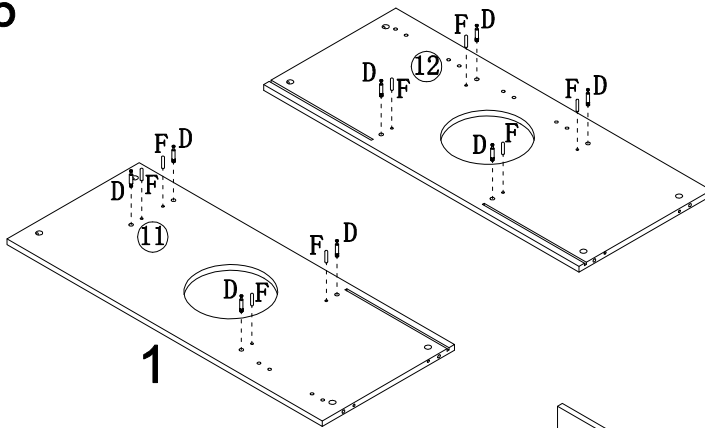
Ⓕ x2pcs



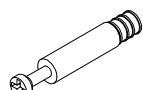

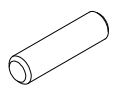
Step 5



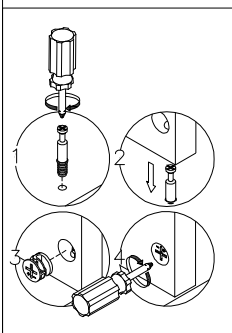
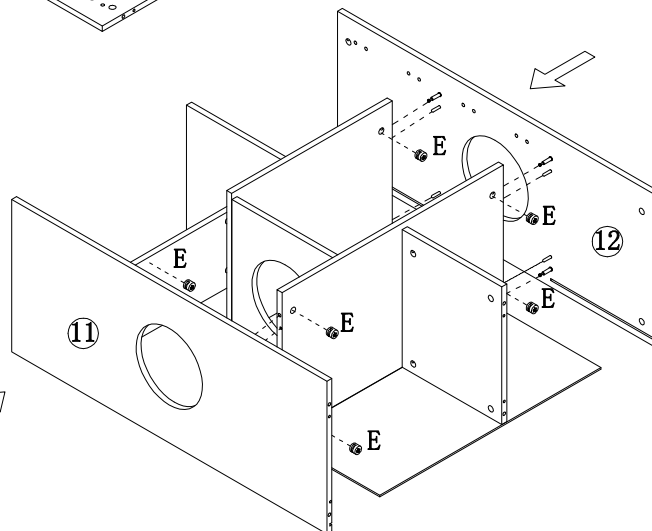
Step 6



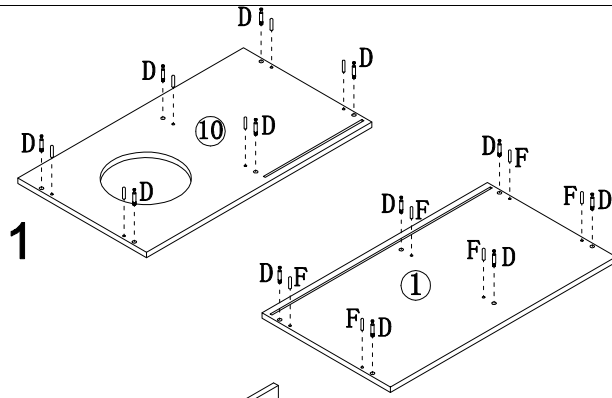
1


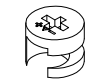
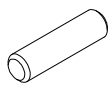
 M6*40mm	 Ø15*12mm
Ⓓ x8pcs	Ⓔ x8pcs
	 Ø6*30mm
	Ⓕ x8pcs

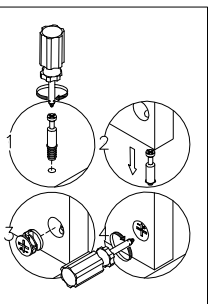
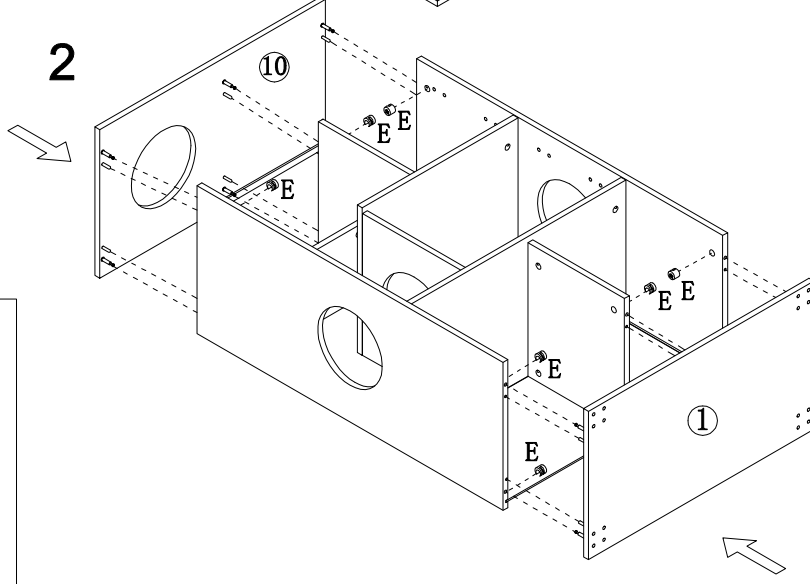
2



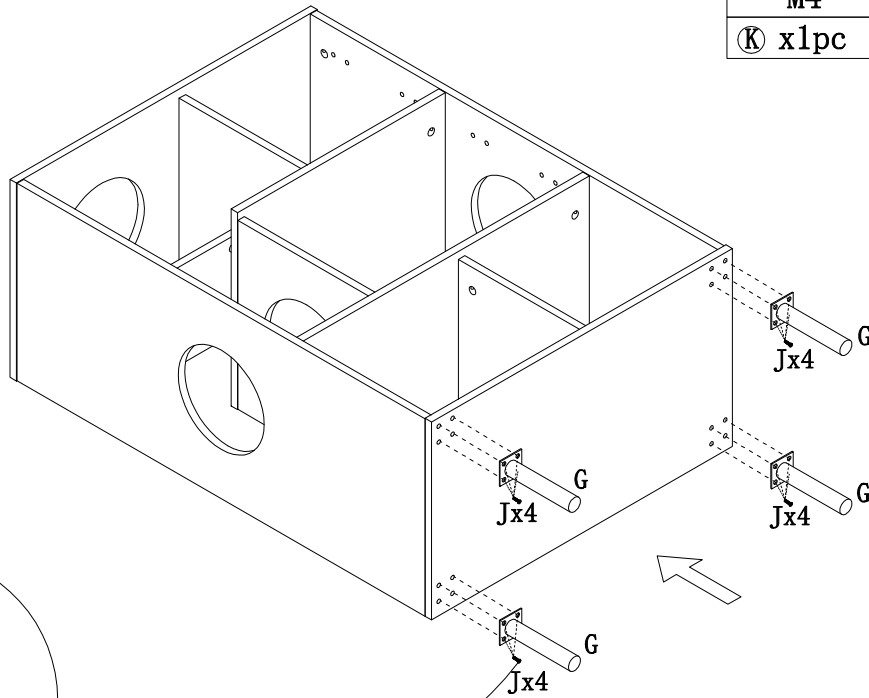
Step 7


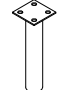
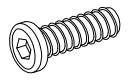


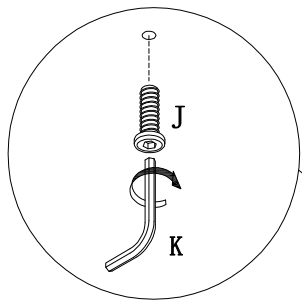
 M6*40mm	 Ø15*12mm
Ⓓ x12pcs	Ⓔ x12pcs
	 Ø6*30mm
	Ⓕ x12pcs



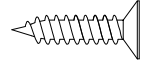
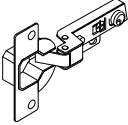
Step 8

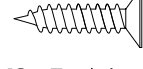
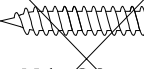


 M4	 H150mm
Ⓚ x1pc	ⓖ x4pcs
	 M6*10mm
	ⓓ x16pcs

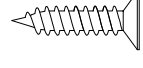
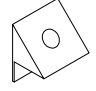


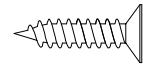
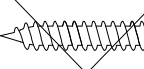
Step 9

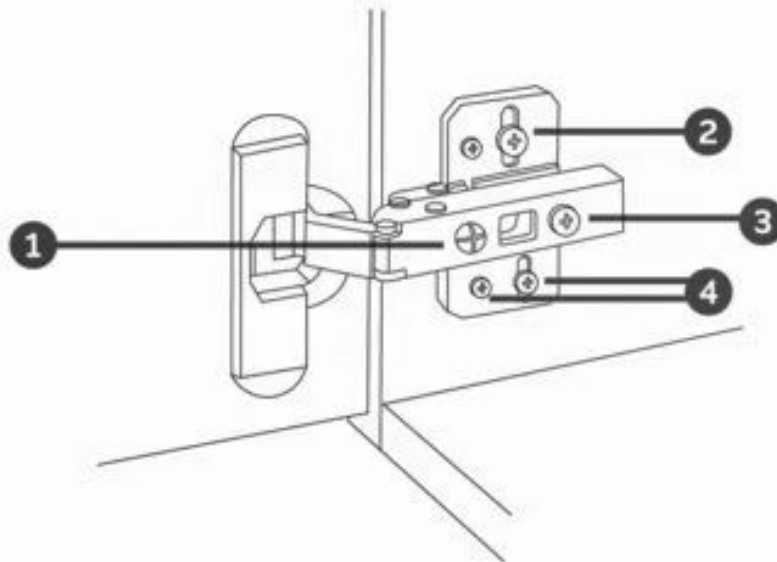
	
M3. 5*14mm	
Ⓐ x36pcs	Ⓒ x6pcs

	
M3. 5*14mm	M4*30mm
Ⓐ x46pcs	Ⓑ x2pcs

Step 10

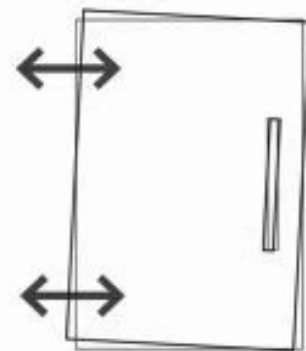
	
M3. 5*14mm	
Ⓐ x8pcs	Ⓕ x8pcs

	
M3. 5*14mm	M4*30mm
Ⓐ x46pcs	Ⓑ x2pcs



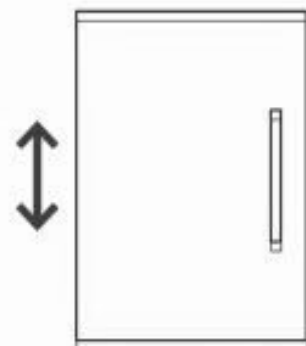
1 Sideways / Tilt adjustment

Turn the screw
clockwise to move the door further away from
 the side of the cabinet
anticlockwise to move the door closer to the
 side of the cabinet



2 4 Height adjustment

While supporting the weight of the door, turn the
 screws
clockwise to move the door up
anticlockwise to move the door down

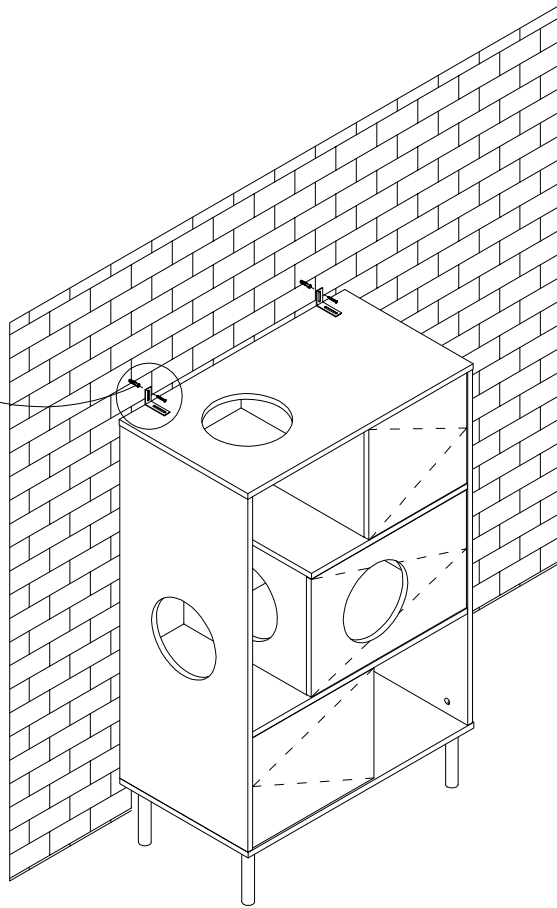
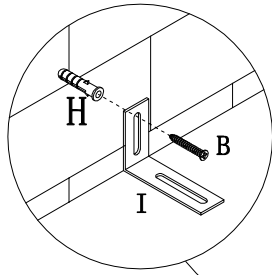


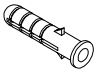
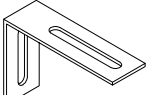
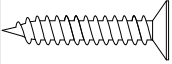
3 Forward and back adjustment

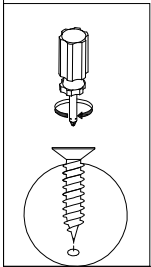
If the gap between the back of the door and the
 cabinet is too small, and the door may not close
 fully. Turn the screw
clockwise to decrease the gap between the
 door and the cabinet
anticlockwise to increase the gap between the
 door and the cabinet

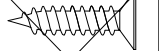
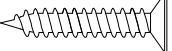


Step 11

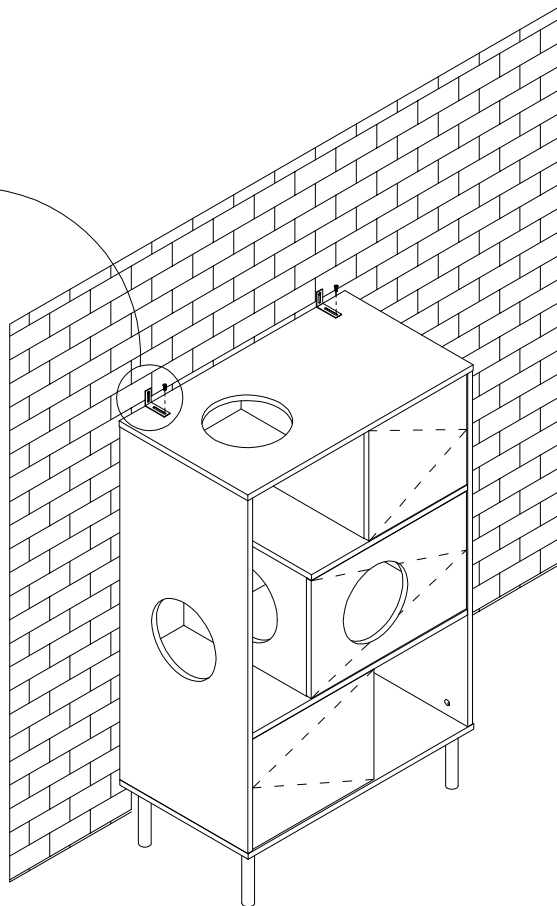
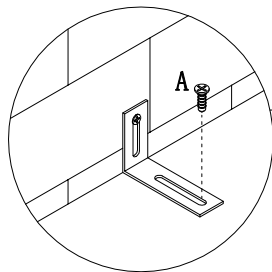


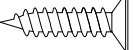
	
30mm	
Ⓜ x2pcs	Ⓜ x2pcs
	
	M4*30mm
	Ⓜ x2pcs

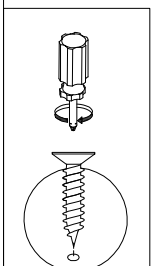


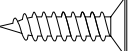
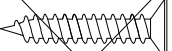
	
M3.5*14mm	M4*30mm
Ⓜ x46pcs	Ⓜ x2pcs

Step 12




M3.5*14mm
Ⓜ x2pcs



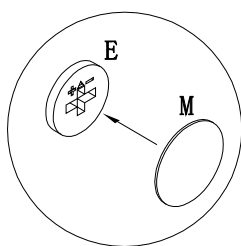
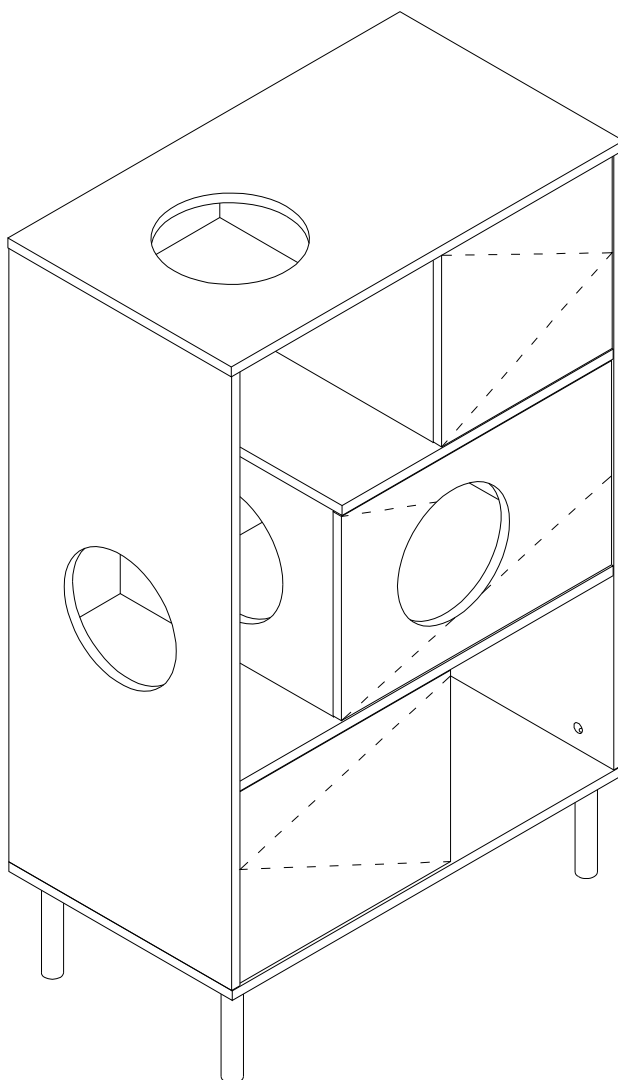
	
M3.5*14mm	M4*30mm
Ⓜ x46pcs	Ⓜ x2pcs

Attention: For safety and stability, we suggest securing the anti-tip accessories to the wall to prevent tipping, injury, and property damage.

Step 13



Ⓜ x34pcs



After installing the product, stick the number **M** on the perforated position