

Assembly Instructions

CAUTION: You must read this before you proceed.

Care & Maintenance



- Not for commercial use. For residential use only.



- Do not put hot items directly on furniture surface.



- Do not clean furniture with harsh cleansers or polish.



- To obtain the longest lifespan of your outdoor products, minimizing exposure to direct sunlight is recommended.



- Children should not climb or jump on the furniture.



- Do not write on furniture without a padded barrier to protect the surface.



- To obtain the longest lifespan of your outdoor products, avoid extended and lengthy exposure to rain, snow, and direct sunshine. Whenever possible cover the product and /or place under patio or awnings.



- Stains may be removed with mild soap solution and damp cloth.



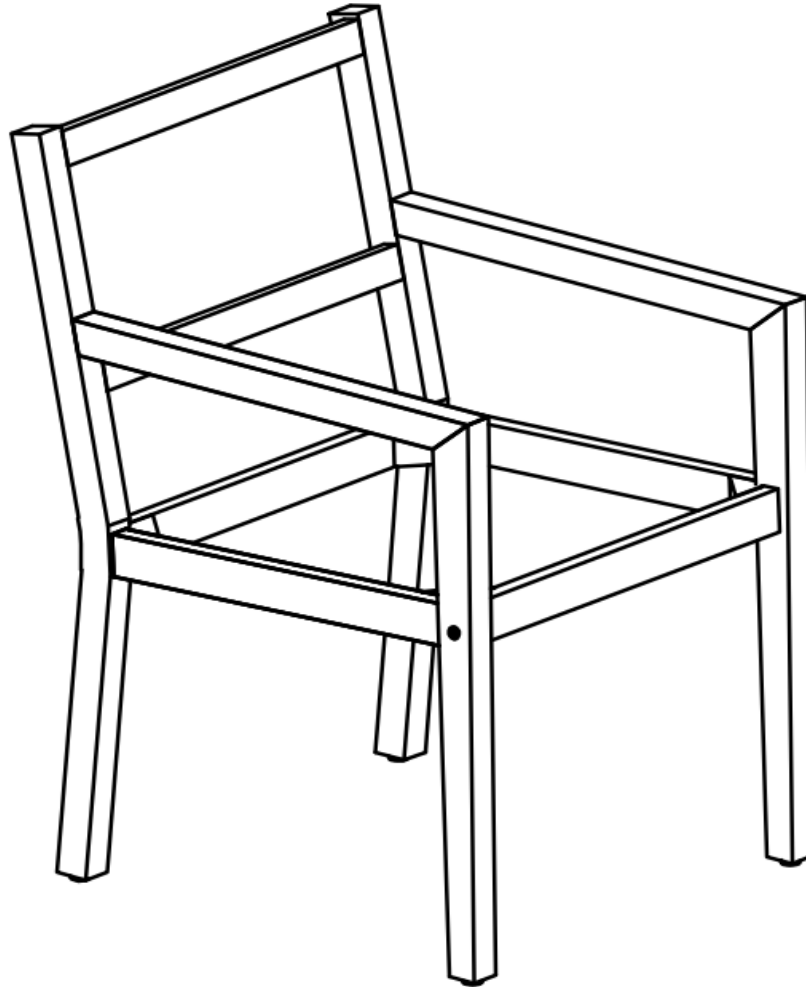
- Keep away from sources of ignition.



- Dust and pick-up spills using a clean, non-colored, lint- free cloth.

Please look in Seat Panel for hardware packs

ARM CHAIR

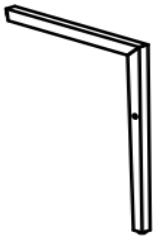
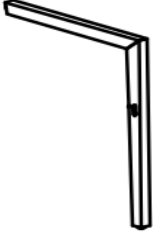

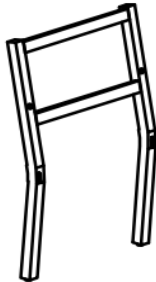


CAUTION : This Chair is NOT a TOY.





Keep your child / children at bay in the process of assembly.

For turning the Chair and to prevent damage to the Chair, 2 persons may be needed to execute this action.

Parts List

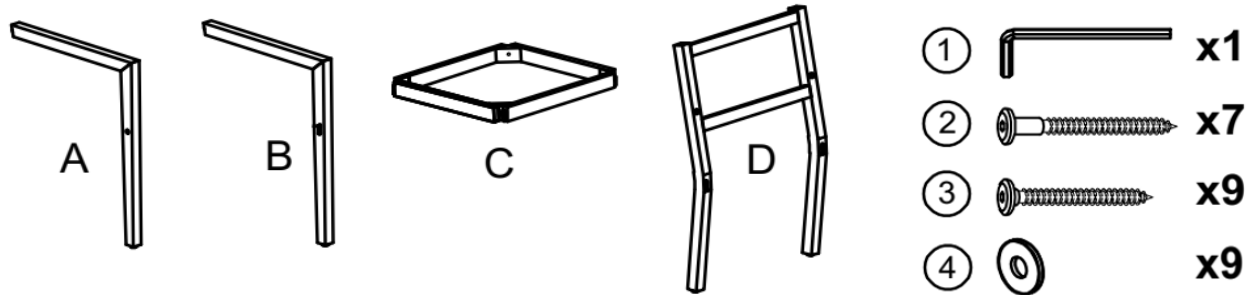
Label	Picture	Description	Qty
A		Left Leg Panel	1
B		Right Leg Panel	1
C		Seat Panel	1
D		Backrest Panel	1

Hardware

Label	Picture	Description	Qty
①		Allen Wrench	1
②		Screw (M6*80mm)	7
③		Screw (M6*70mm)	9
④		Washer (M6.5*2mm)	9

Assembly Preparation

Before Beginning Assembly:



- Read instructions, cover to cover-



- Have 2 adults on hand for assembly-



- Do not assemble on flooring or carpet-



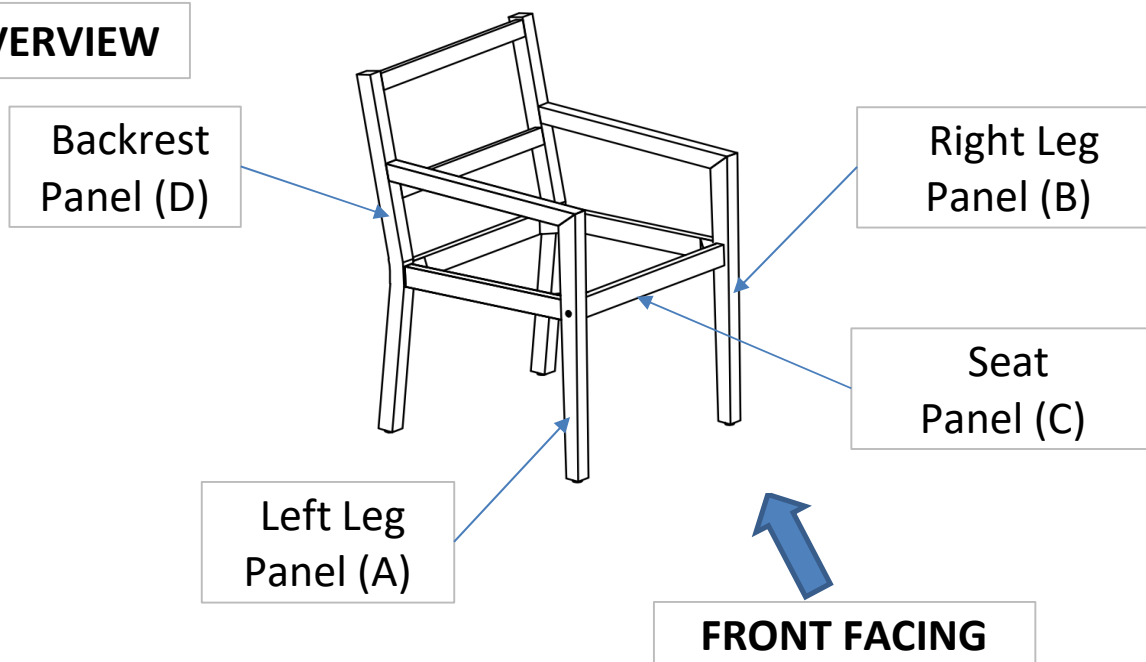
- Assemble on a clean non-marring surface (packing foam)-



- Save all packaging until finished-

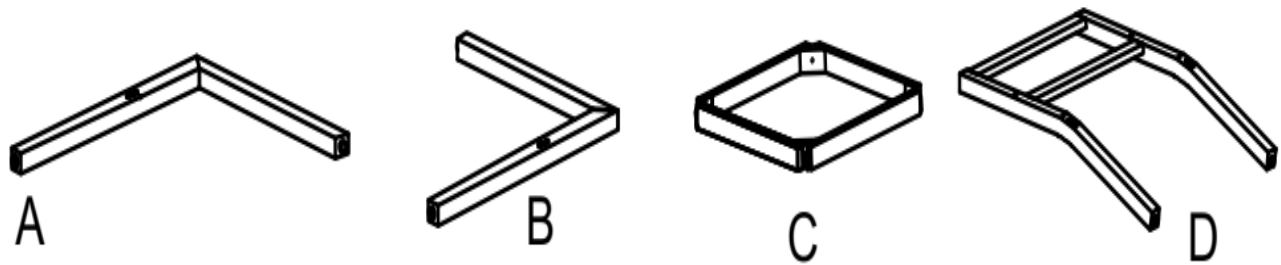
Assembly Steps

OVERVIEW



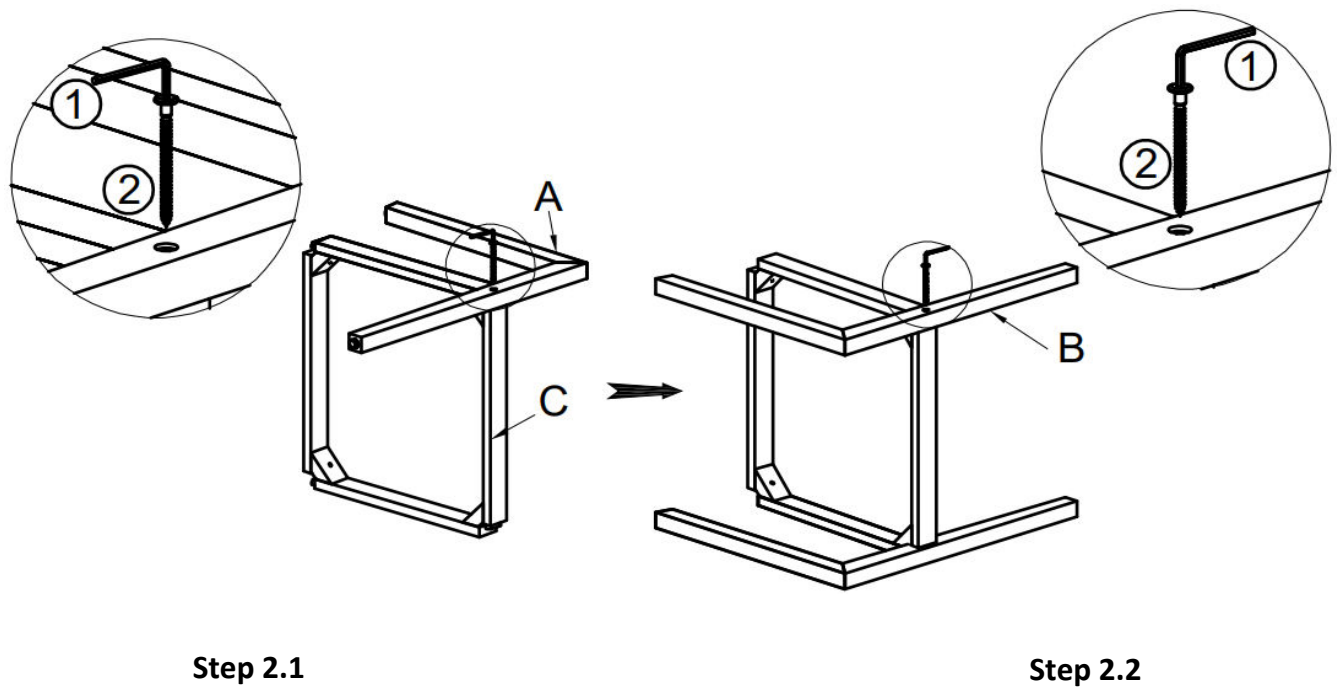
This Chair has multiple parts and may require up to 30 minutes to assemble. To give you an overview of the Chair, the above picture is to help you put the various parts into perspective. Please read through the instructions here below to familiarise the parts and steps before assembly.

Step 1



Unpack and place all parts on a clean, non-marring surface.

Step 2

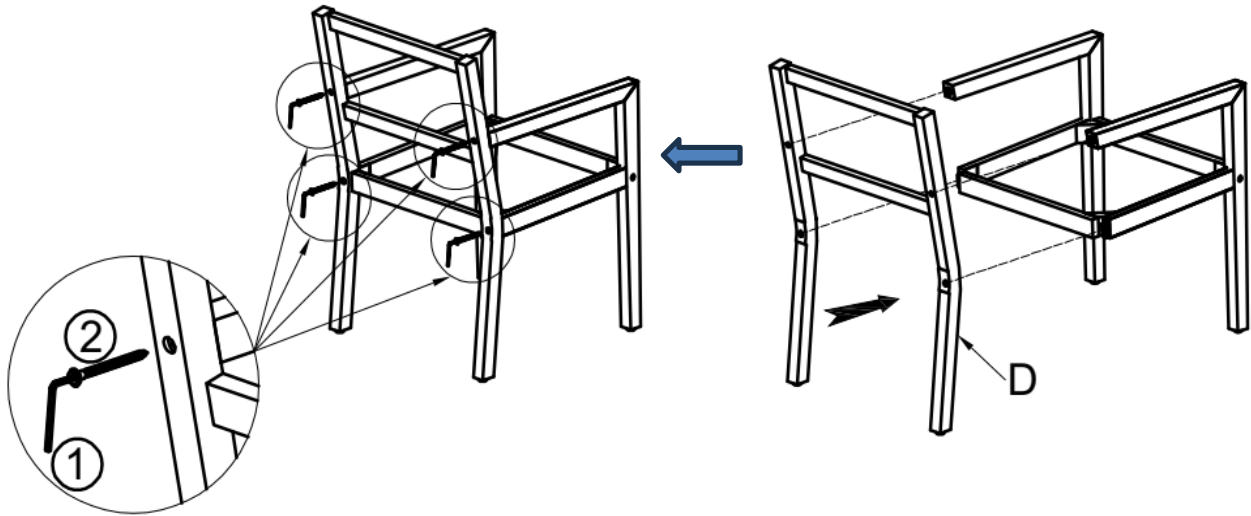


2.1 Attach Left Leg Panel (A) to Seat Panel (C) using Screws (2) and Allen Wrench (1).

2.2 Turn the Chair to other side, continue to attach Right Leg Panel (B) to Seat Panel (C) using Screws (2) and Allen Wrench (1).

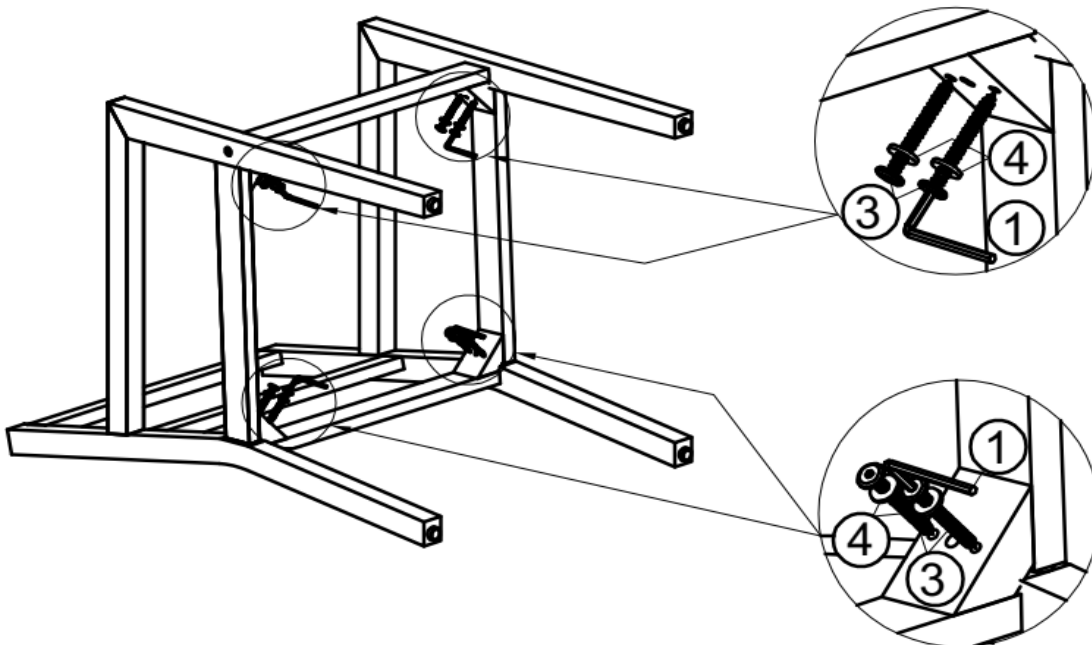
Do not fully tighten the Screws.

Step 3



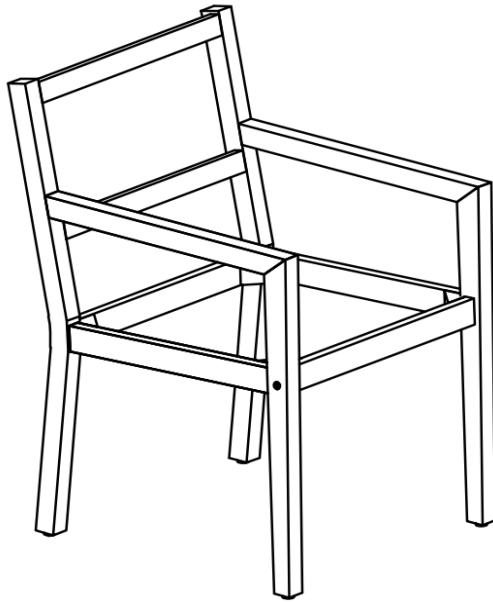
Attach Backrest Panel (D) to Seat Panel (C) and Left Leg Panel (A) and Right Leg Panel (B) using 4 Screws (②) and Allen Wrench (①).
Do not fully tighten the Screws.

Step 4



Using 8 Screws (③) + 8 Washers (④) and Allen Wrench (①) to secure the Seat Panel as above picture.
Do not fully tighten the Screws.

Step 5



Turn right side up the Chair.

Inspect it and make sure all parts are adequately connected.

Gently and gracefully, sit onto the Chair.

This will help to align all the parts at all joint areas.

Then get off the Chair and proceed to tighten the Bolts and Screws in a sequential manner.

When tightening the Bolts, Screws tighten sequentially.

DO NOT tighten any Bolts, Screws fully and then move on towards the next one.

If there are still wobbles, loosen the Bolts, Screws and execute this same process.

This Chair can only be used on a flat, level surface.