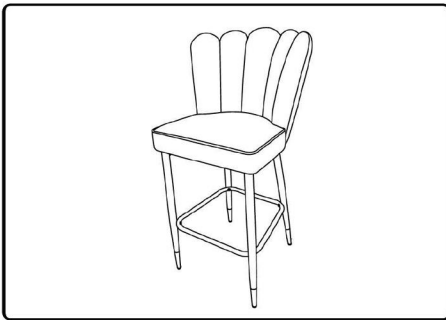


# ASSEMBLY INSTRUCTIONS



## + Do Not Use Power Tools



## + Suggested Adults



**NOTE:** For questions about parts or assembly please email [support@meridianfurnitureusa.com](mailto:support@meridianfurnitureusa.com) or call us at 718-758-4455.

- 1 Read instructions cover to cover.
- 2 Save all packaging until assembly is completed.

## 1 IMPORTANT SAFETY INFORMATION

**Do not** assemble the product if any of the following parts arrived damaged:

- Part # ① - Cushion
- Part # ② - Bracket
- Part # ③ - Leg 3 #
- Part # ④ - Leg 4 #

**Do not** assemble if any of the following Hardware parts are missing:

- Part # A - Bolt (M6\*45) 4PCS
- Part # B - Bolt (M6\*28) 4PCS
- Part # C - Flat Washer ( $\phi 16*\phi 6$ ) 4PCS
- Part # D - Allen wrench (4mm) 1PC

## 2 IMPORTANT ASSEMBLY INFORMATION

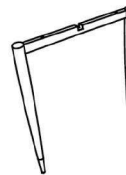
**Assembly Step** If loosening persists, please make sure to tighten all the bolts periodically, or use a thread locker adhesive.

## + Parts Included

- ① Cushion 1PC    ② Bracket 1PC



- ③ Leg 3 # 1PC    ④ Leg 4 # 1PC



## + Hardware Included

- A Bolt (M6\*45) 4PCS    B Bolt (M6\*28) 4PCS

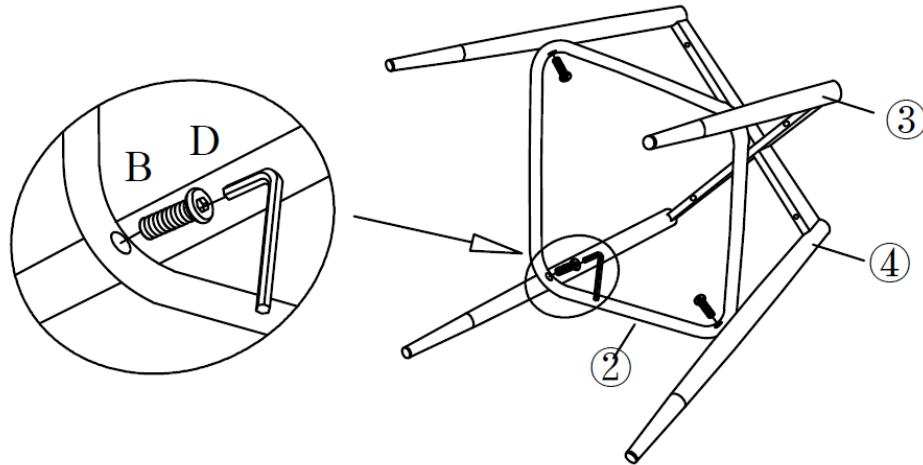


- C Flat Washer ( $\phi 16*\phi 6$ ) 4PCS    D Allen wrench (4mm) 1PC



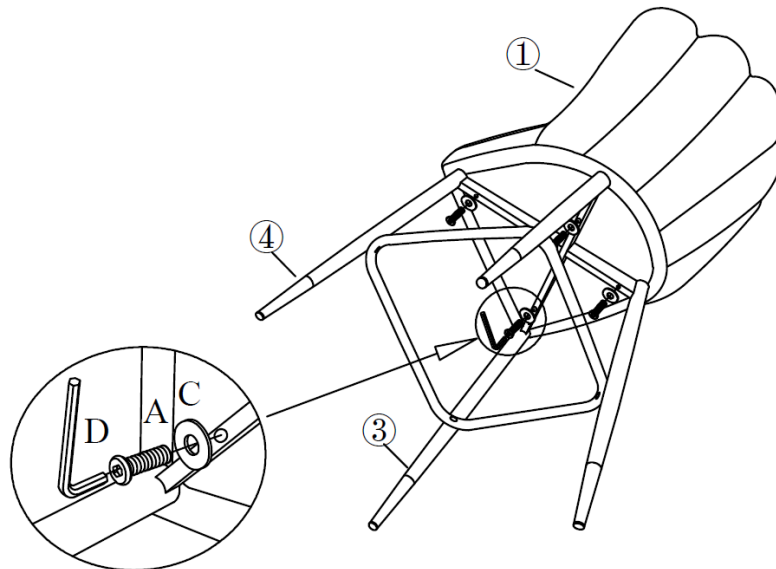
# ASSEMBLY INSTRUCTIONS

1



Note: At this stage, do not fully tighten the Bolts.

2



Note: At this stage, do not fully tighten the Bolts.