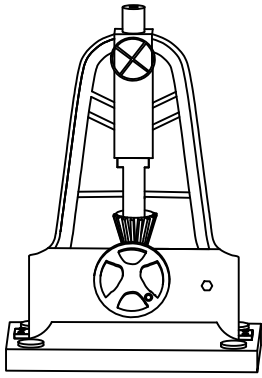
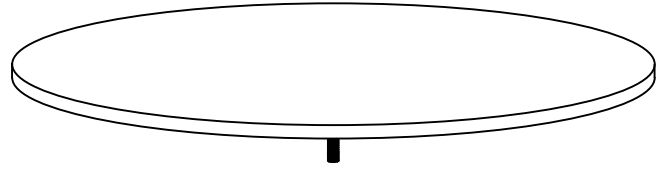


ASSEMBLY INSTRUCTION

COMPONENTS

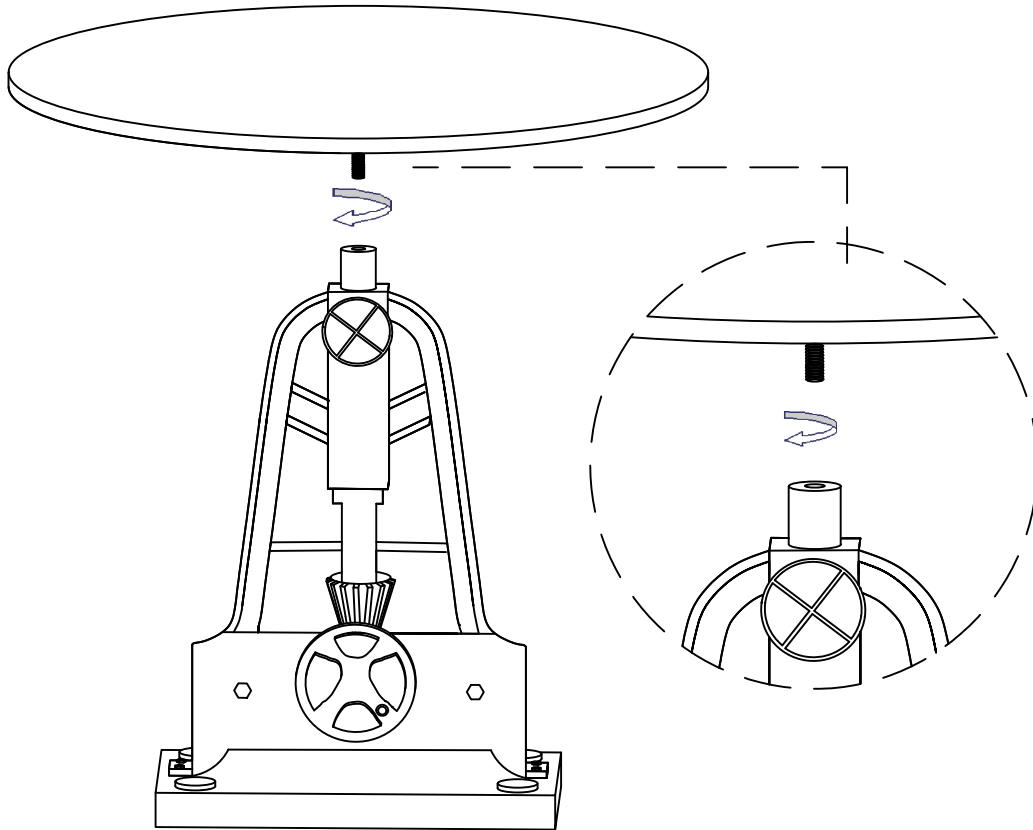


IRON BASE 1PC.

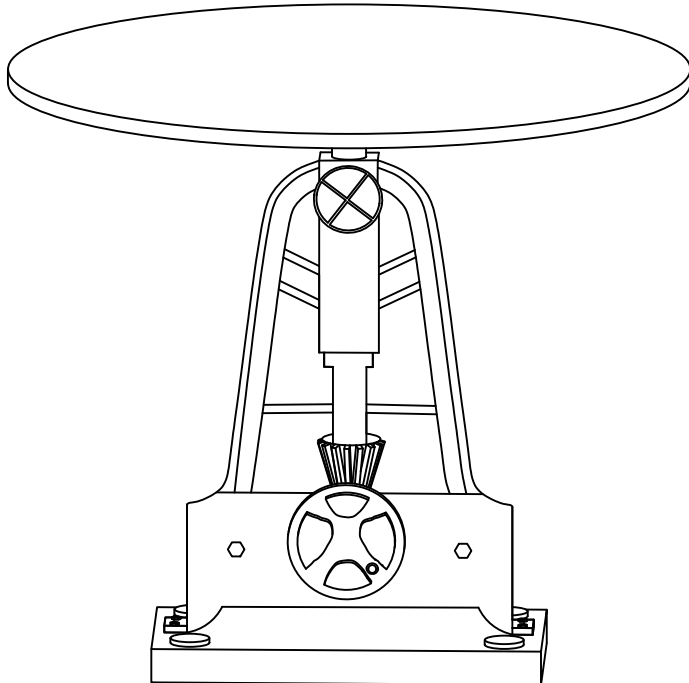


TOP 1PC.

STEP 1.



FIRST OF ALL PLACE THE IRON BASE IN AN UPRIGHT POSITION NOW LIFT THE GIVEN STONE TOP WITH THE HELP OF AT LEAST 3 - 4 PEOPLE AND PLACE IT OVER THE BASE AS SHOWN IN ABOVE IMAGE. NOW ROTATE IT IN CLOCKWISE DIRECTION FIRMLY.



FULLY ASSEMBLED STRUCTURE.