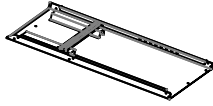

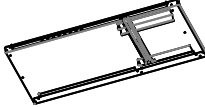





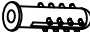








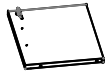




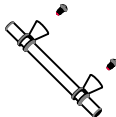



## Accessories

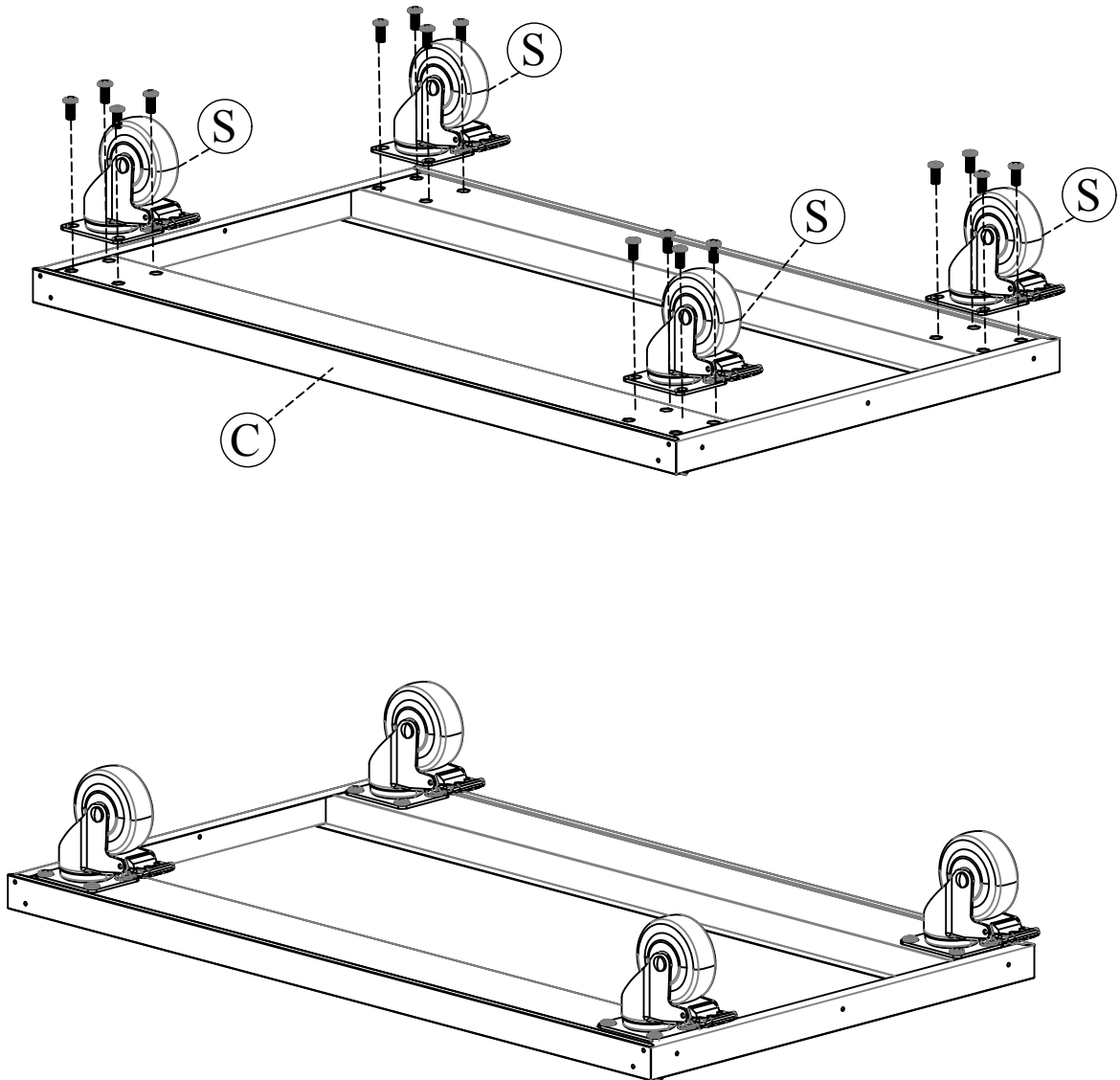
Name		Part	Qty.	Spare	Name	Part	Qty.	Spare	
A	Left Side Panel		1		M	Drawer Front Panel		1	
B	Right Side Panel		1		N	Drawer Back Panel		1	
C	Bottom Panel		1		O	6*15 Flat Head Bolt		18	2
D	Top Panel		1		P	1-3/16" Wall		2	
						Wall Anchor			
E	Left Back Panel		1		Q	Shelf Clasp		4	
F	Right Back Panel		1		R	Tapping screws		55	2
G	Shelf		1		S	Wheel		4	
H	Left Door		1		T	Door Pivot		2	
I	Right Door		1		U	Shim		4	
J	Mid-waist Plate		1		W	Touch The Doormat		4	
K	Drawer Front		1		V	Handle		3	
L	Drawer Side And Bottom		1						

# Step 1

Install 4 wheels S on the bottom panel C with 16 screws O

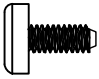
ⓐ x 16

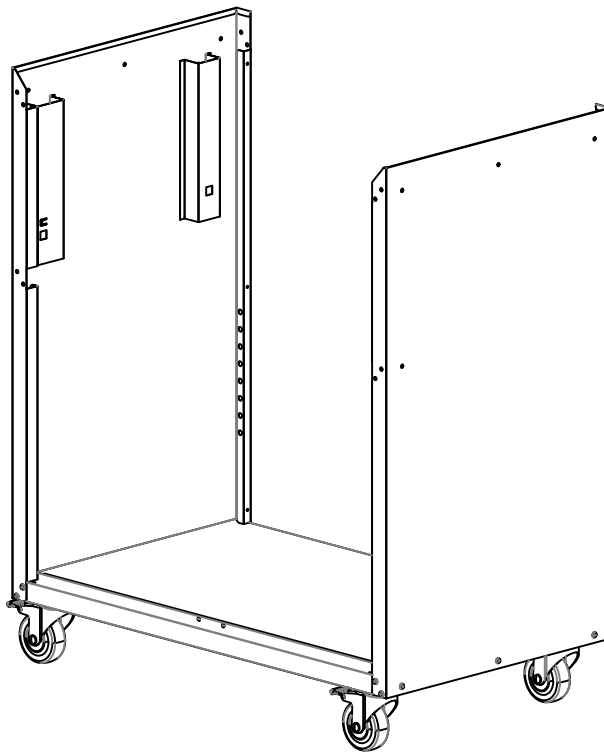
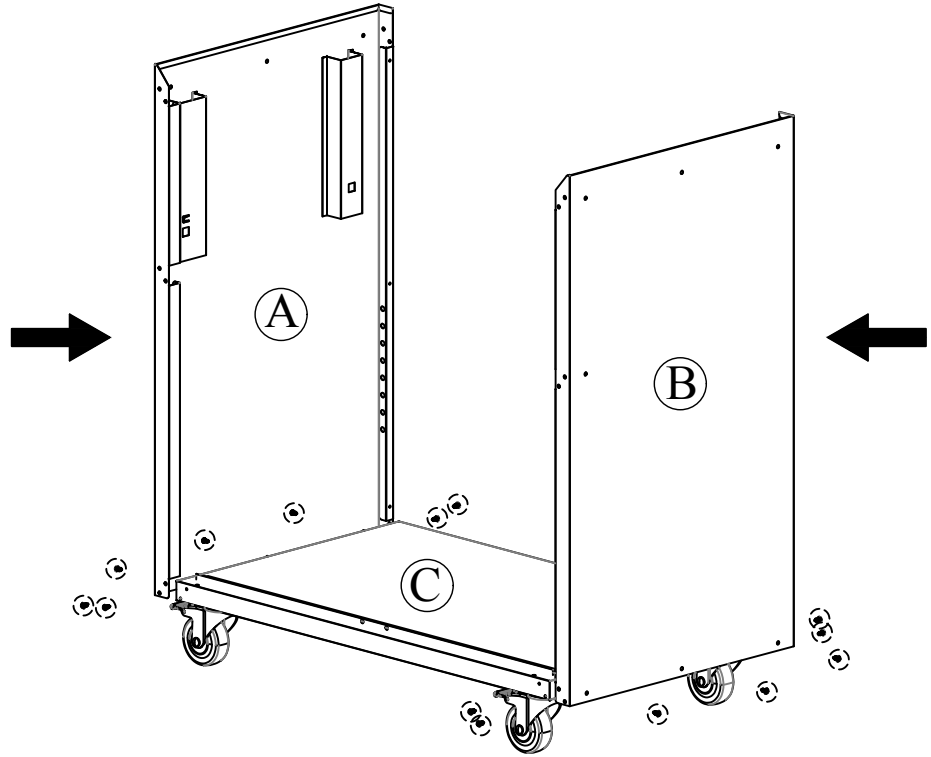
Ⓢ x 4



## Step 2

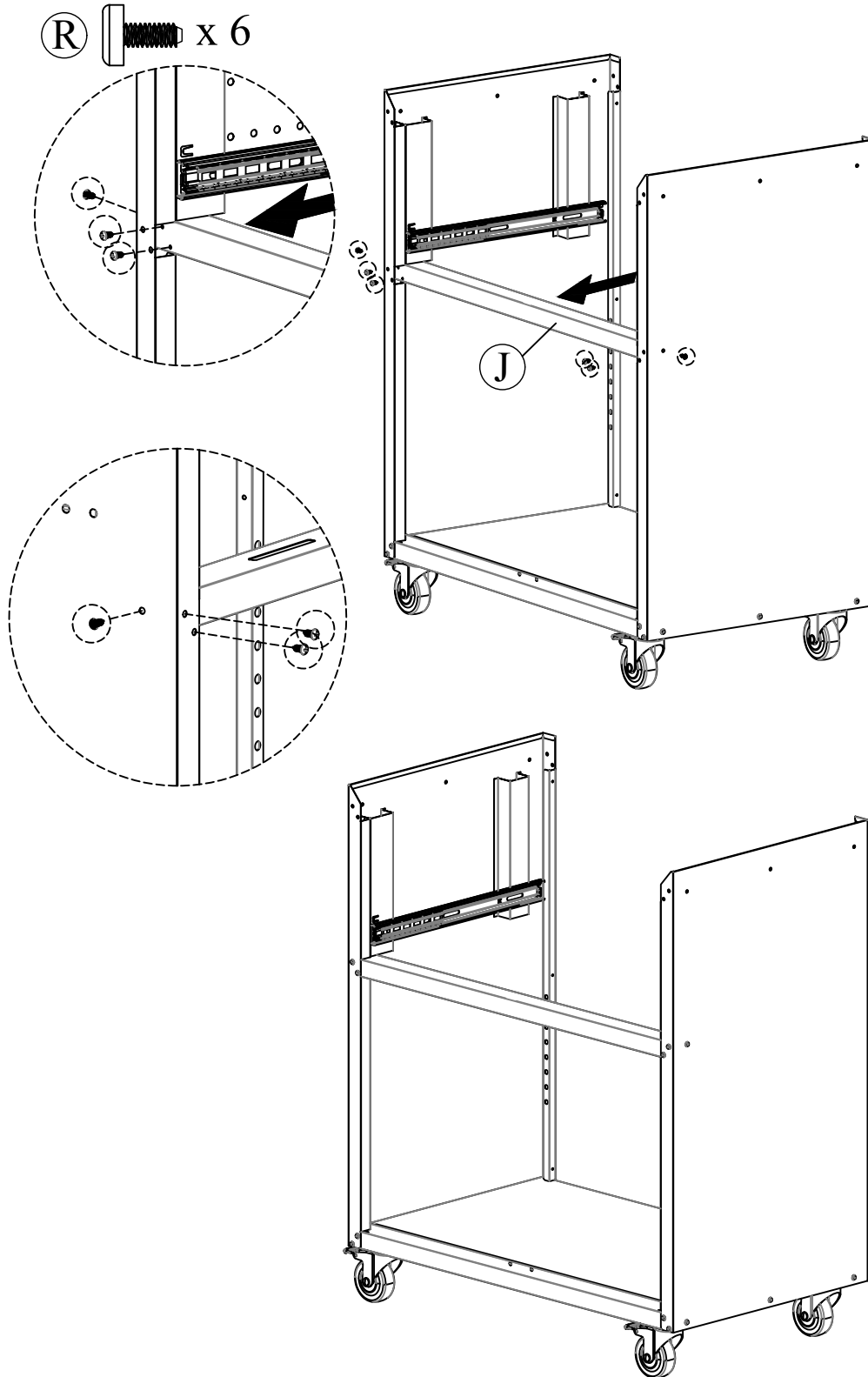
Connect left side panel A and right side panel B to bottom panel C with 14 screws R

Ⓡ  x 14



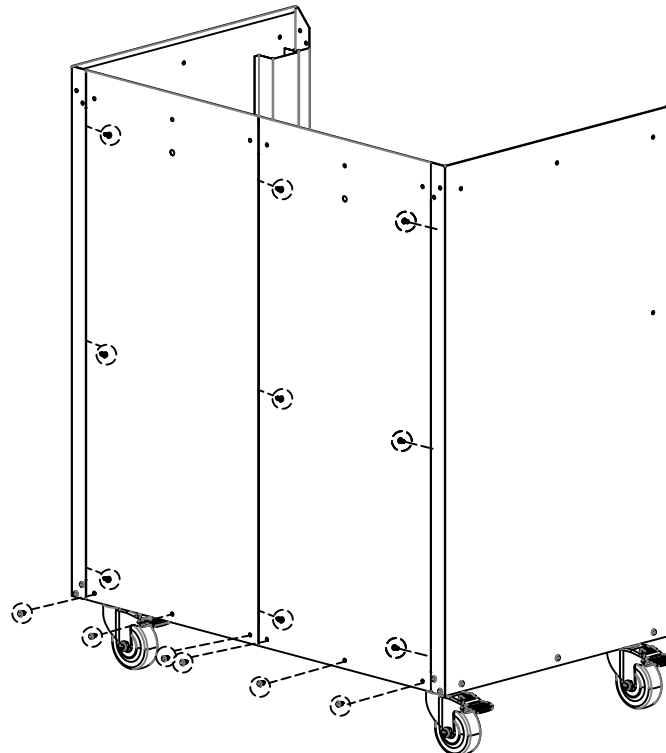
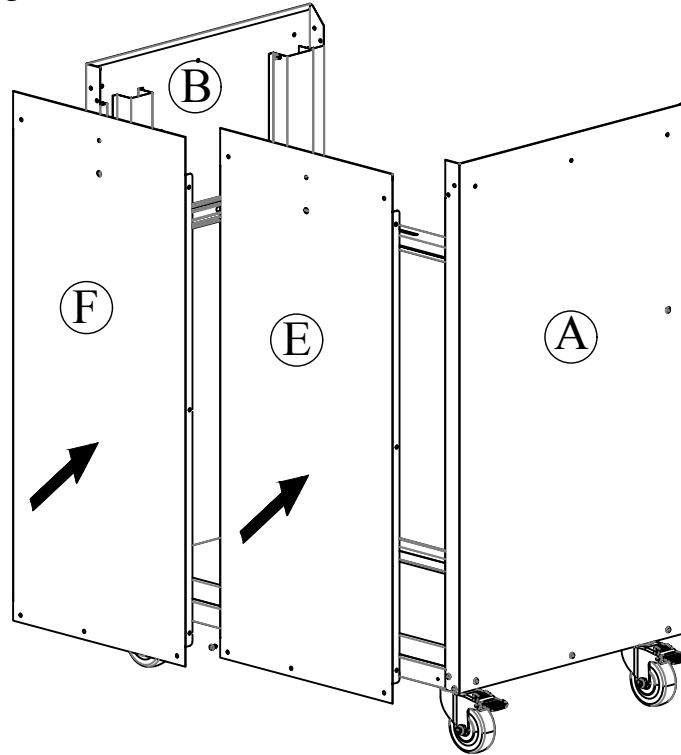
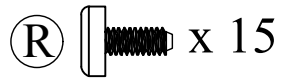
# Step 3

Insert mid-waist plate J in the middle and fix it with 6 screws R



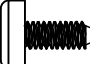
# Step 4

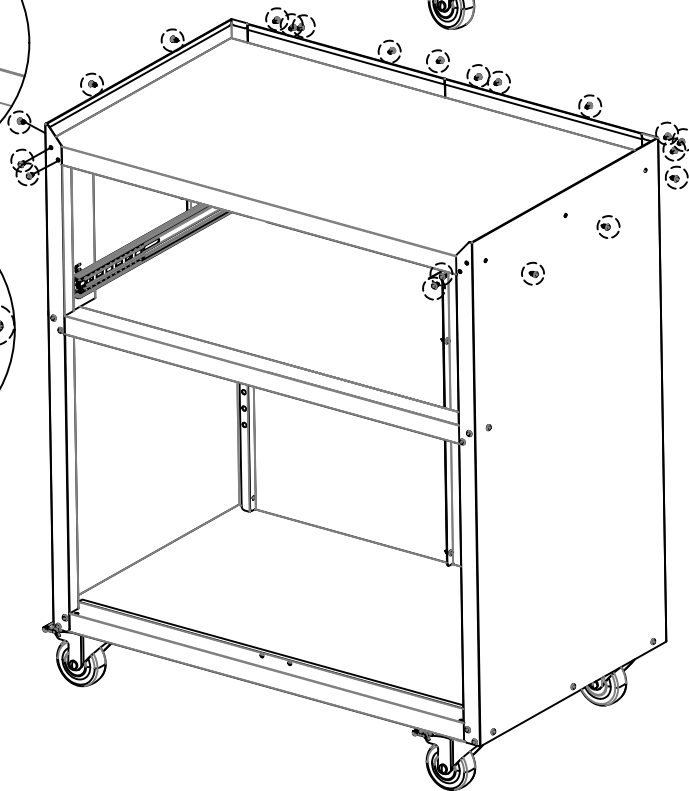
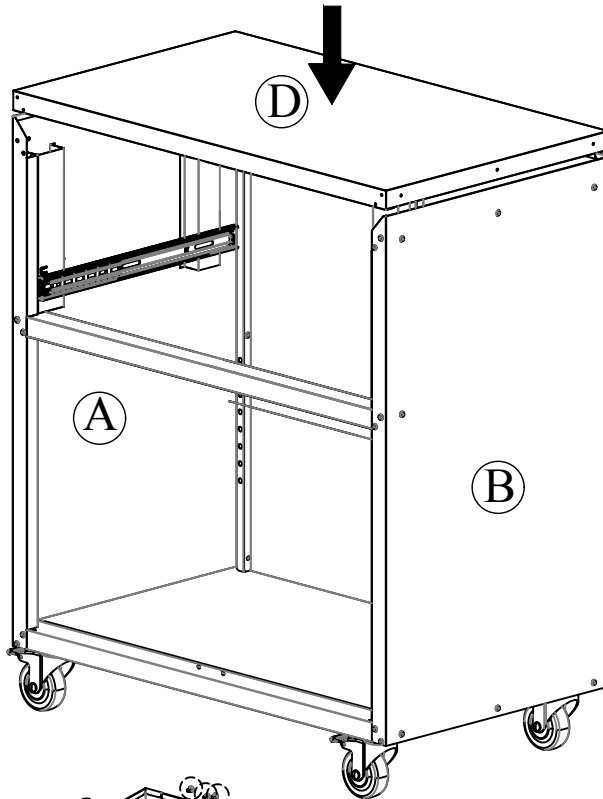
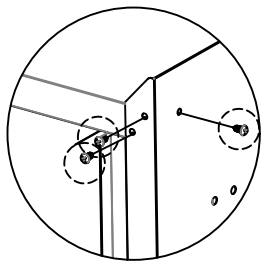
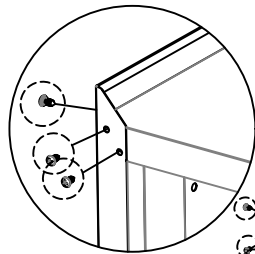
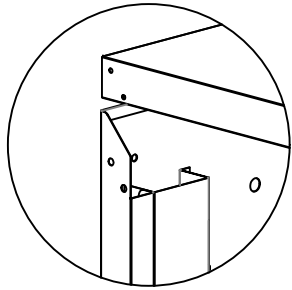
Install back panels E and F  
with 15 screws R



# Step 5

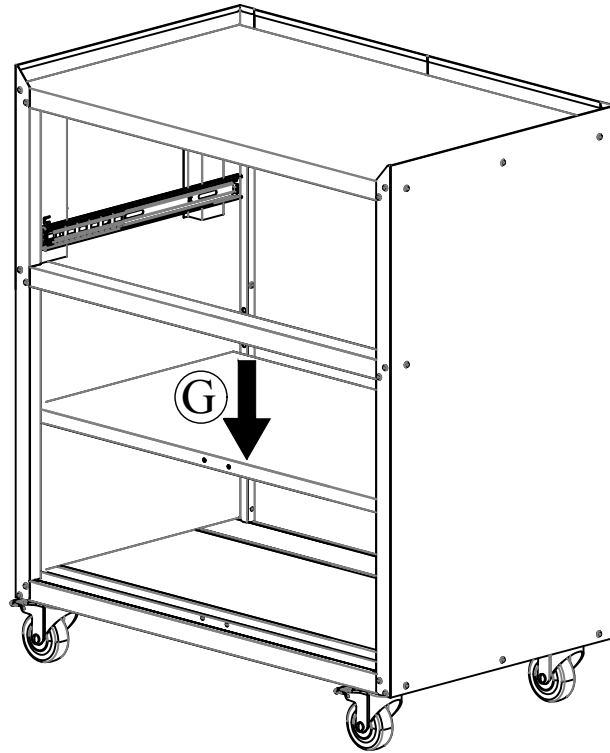
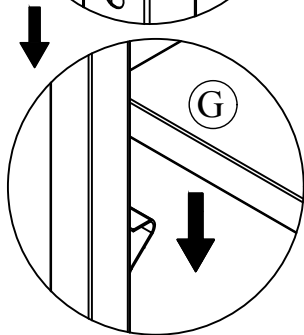
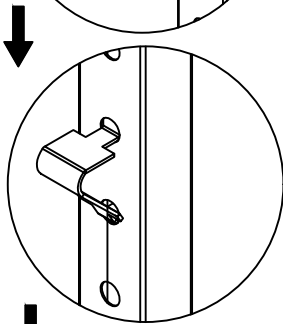
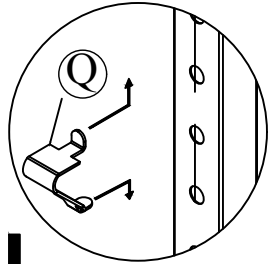
Insert top panel D and fix it with 20 screws R

Ⓡ  x 20

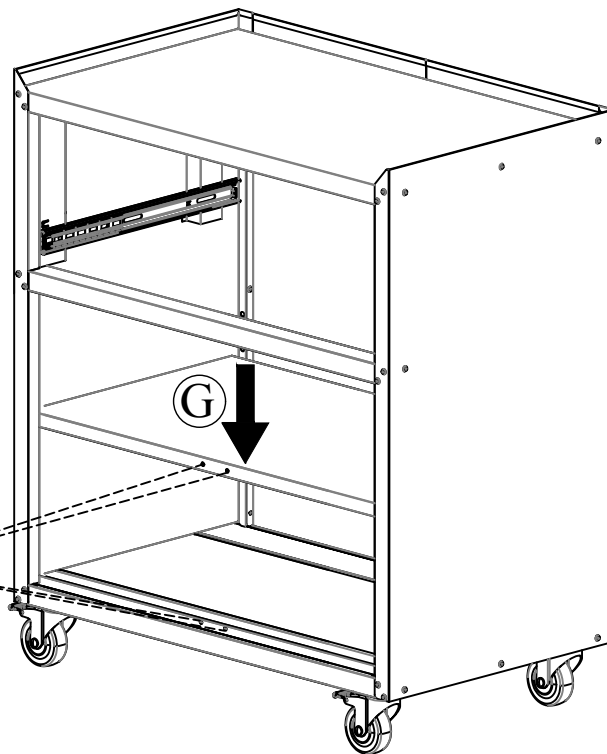


# Step 6

Install 4 shelf claps Q and put the shelf G on them

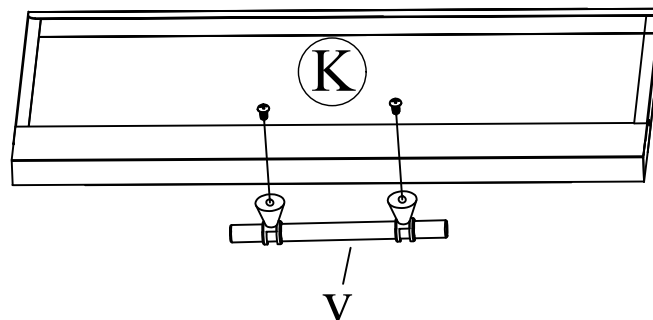
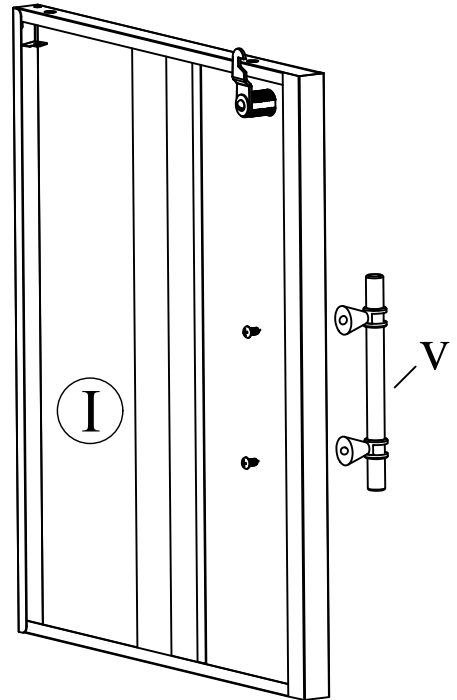
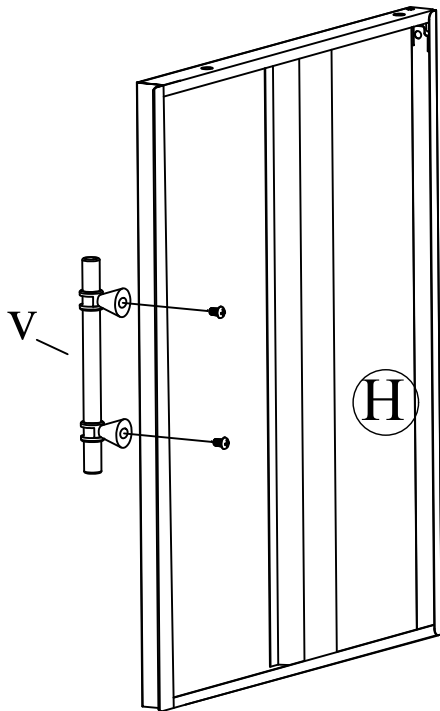
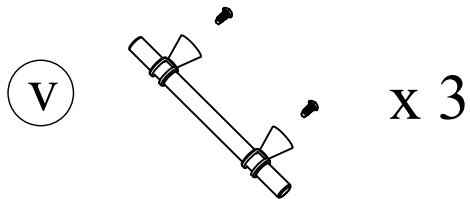


Install touch the doormat W on the front of the shelf and bottom panel



# Step 7

Install 4 shelf claps Q and put the shelf G on them

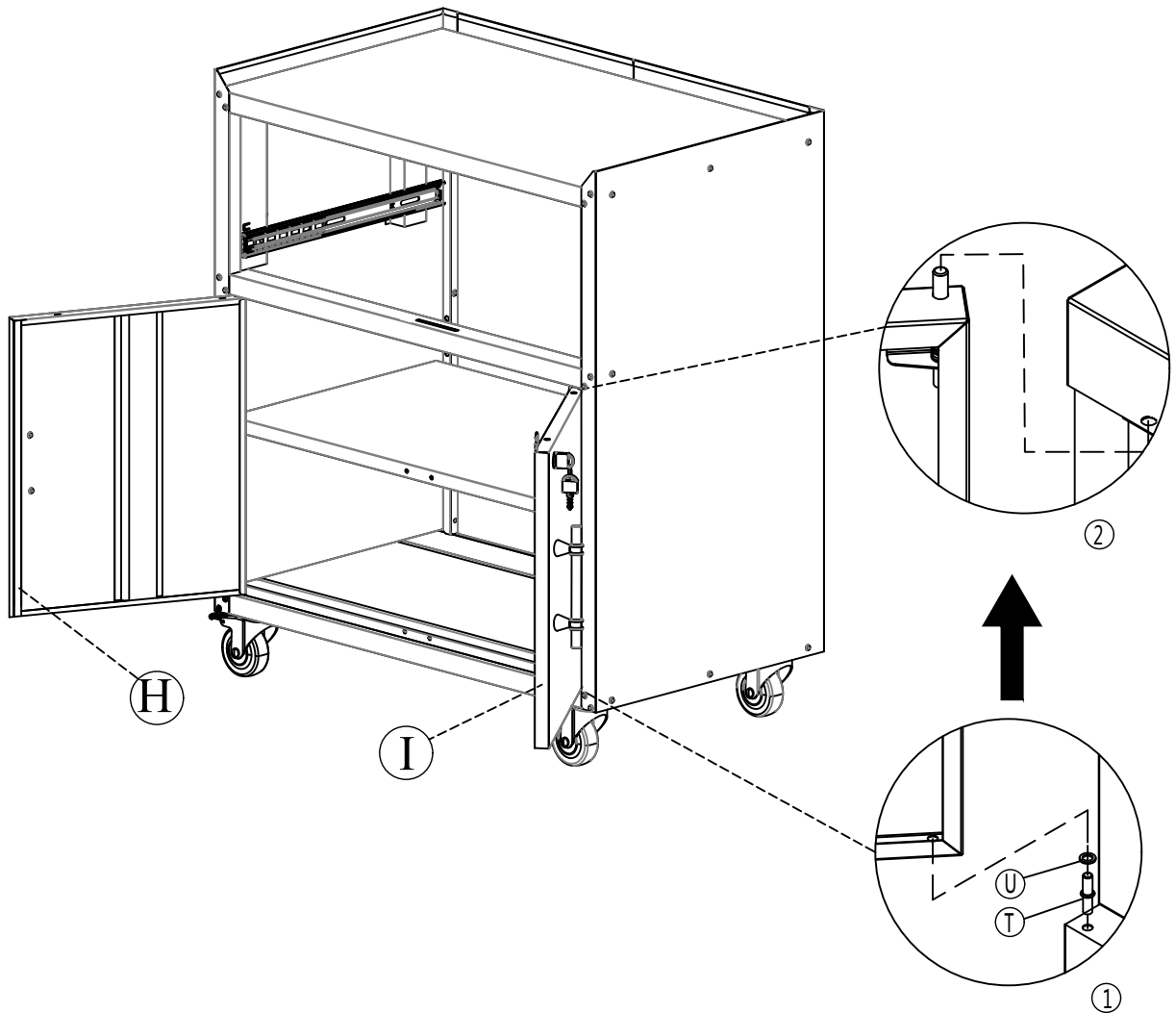


# Step 8

Ⓣ  x 2

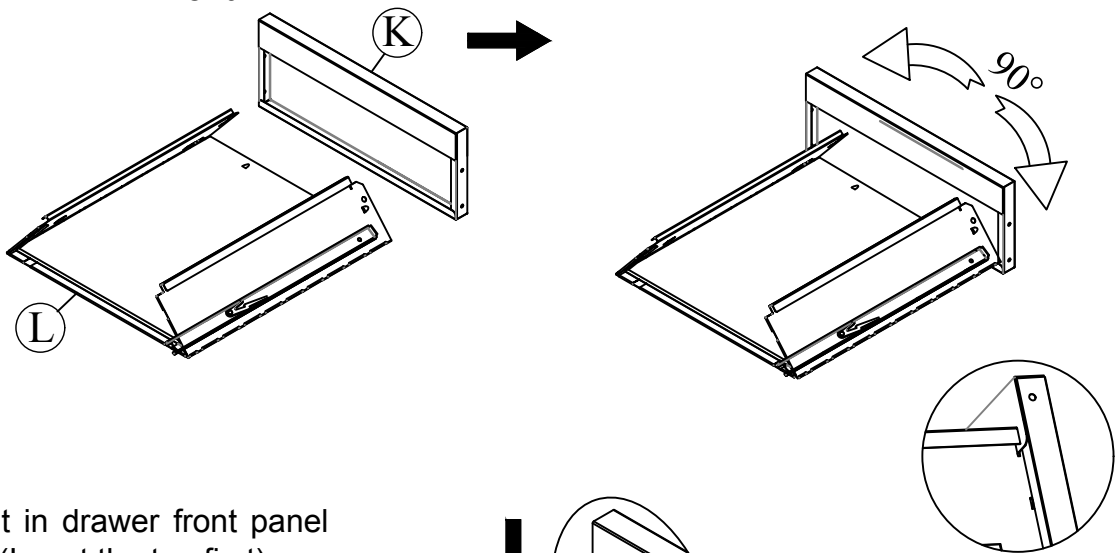
Ⓤ  x 4

Insert T and U into the holes of the both sides of the bottom corner of the doors, then insert doors H and I into the door pivots on the bottom and adjust the springs on the top (U can be used to adjust, you can use 0 or 1 or 2 of them)

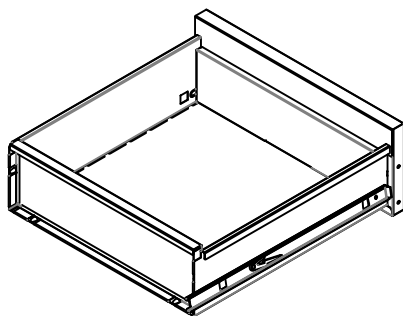
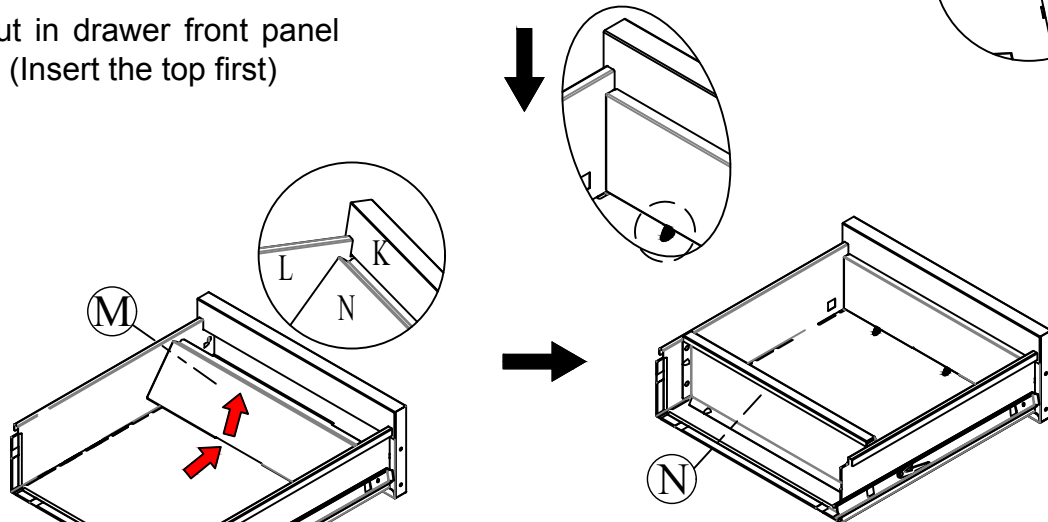


# Step 9

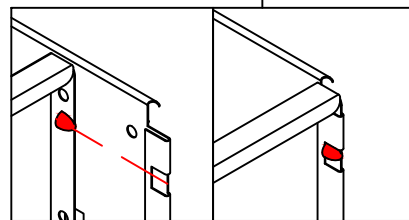
Unfold drawer L and fold all the small parts toward the middle, insert the drawer to drawer front K



Put in drawer front panel M (Insert the top first)

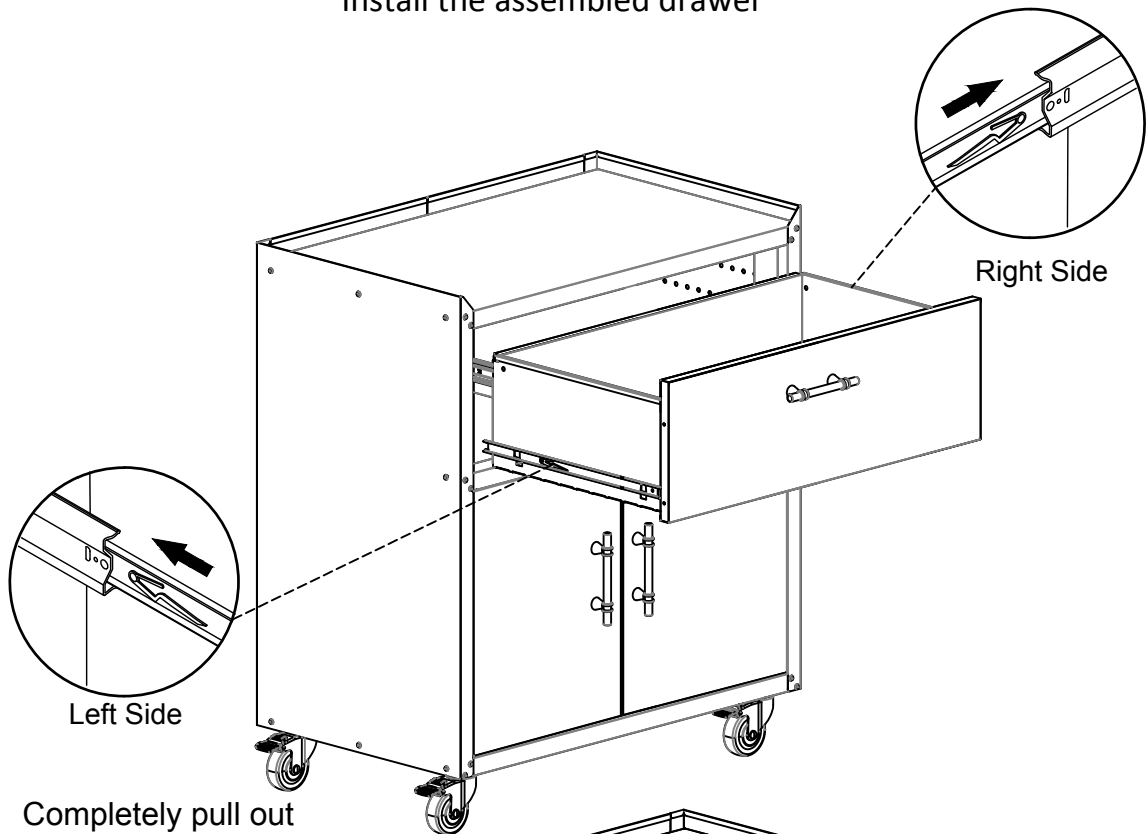


Insert drawer back panel N

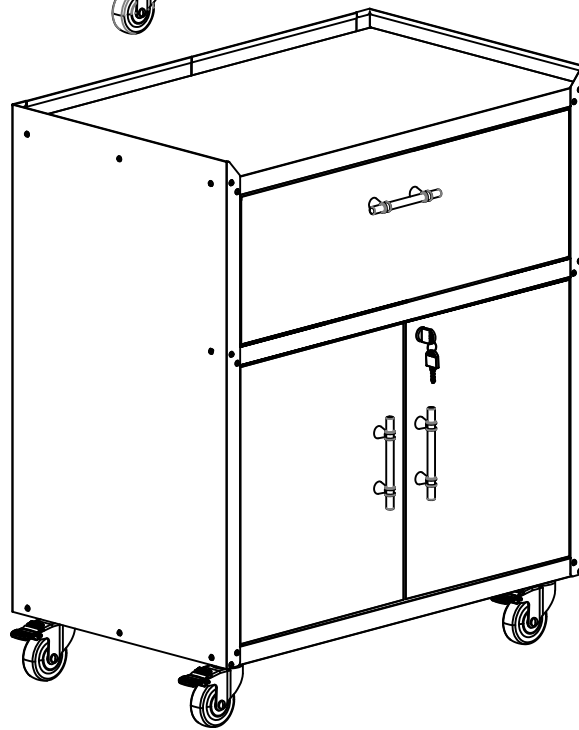


# Step 10

Install the assembled drawer



Completely pull out the slide rails of the left and right side, and place the drawer above the inner side of the slide rails. Make sure both sides of the drawer are aligned with the slide rails.



# Step 11

Fix the cabinet to the wall with screws P to prevent tipping

Ⓟ



x 2

