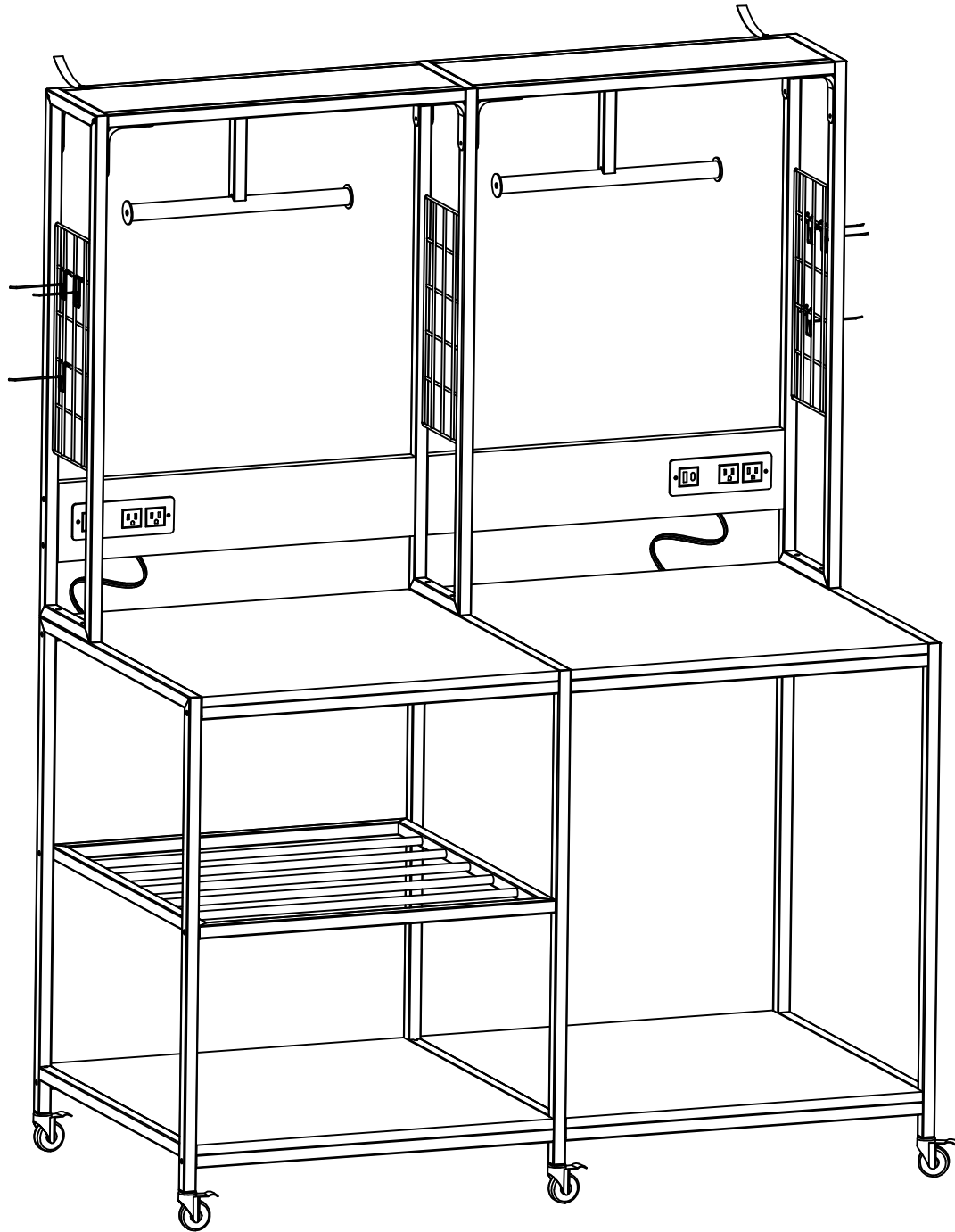


# Installation Manual









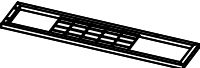
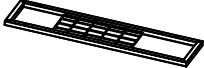
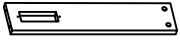
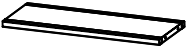



## Dual 3D Printer Stand



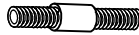
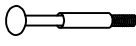
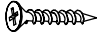

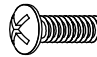
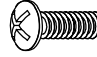

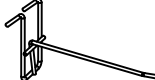
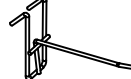





Customer Service: [ahomrt@163.com](mailto:ahomrt@163.com)

---

# Parts List

Number	Parts	Quantity
1		1PC
2		8PCS
3		1PC
4		1PC
5		1PC
6		4PCS
7		6PCS 6PCS
8		1PC
9		1PC
10		1PC
11		2PCS
12		1PC
13		1PC
14		2PCS
15		2PCS

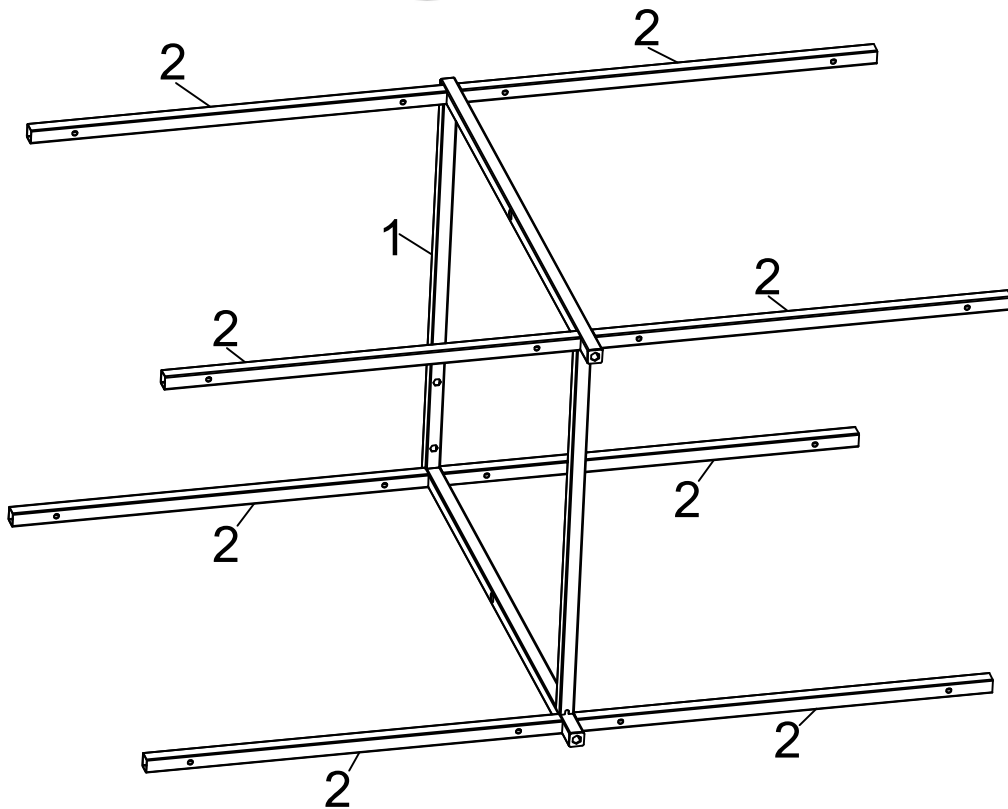
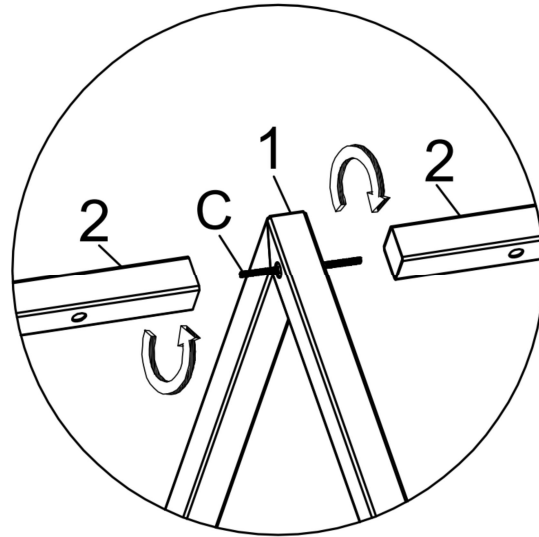
Number	Parts	Quantity
A	 M6x35	26PCS
B	 M6x30	20PCS
C		4PCS
D		4PCS
E	 M4x10	4PCS
F		4PCS
G	 M6x12	6PCS
H	 M4x12	16PCS
I		8PCS
J		2PCS
K		4PCS
L	 M4	2PCS
M	 M6	2PCS
N		2PCS

# Step 1

 C x 4

 1 x 1

 2 x 8



Note: Please follow the drawing carefully and pay close attention to the screw hole positions and orientations during installation to avoid any errors in the subsequent steps.

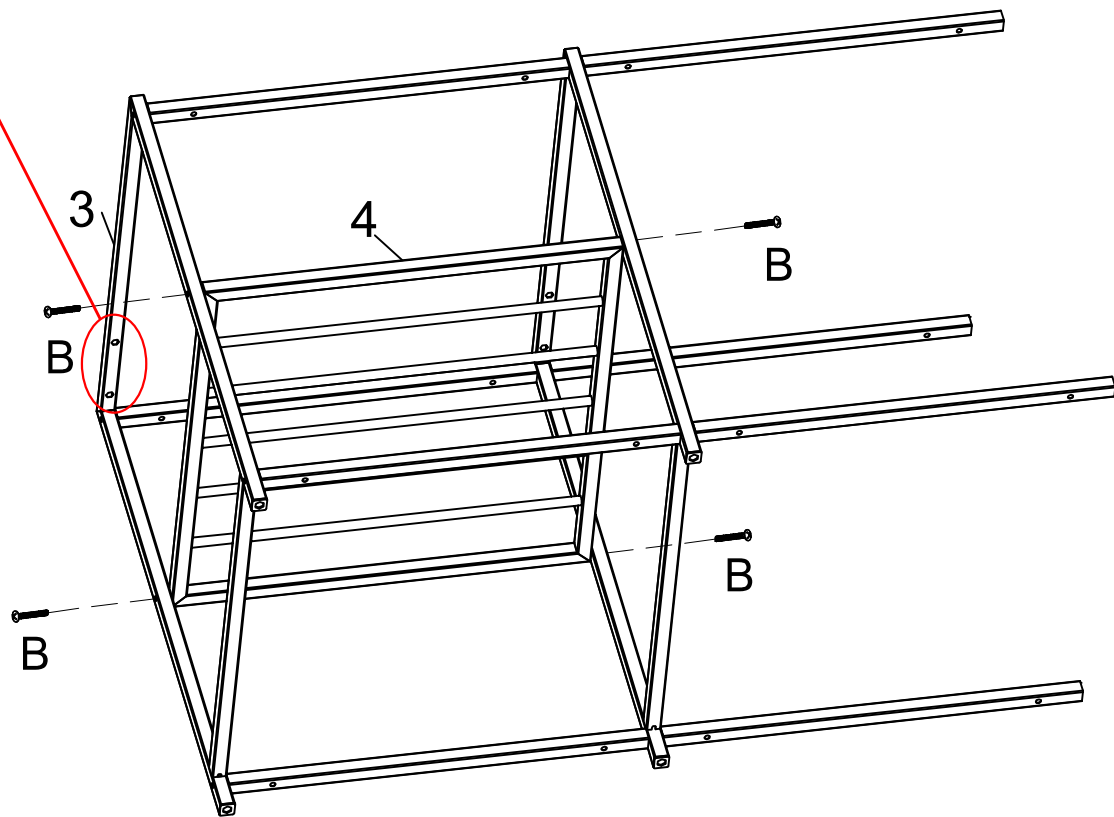
# Step 2

 B x 4

 3 x 1

 4 x 1

Attention: The screw hole faces inward



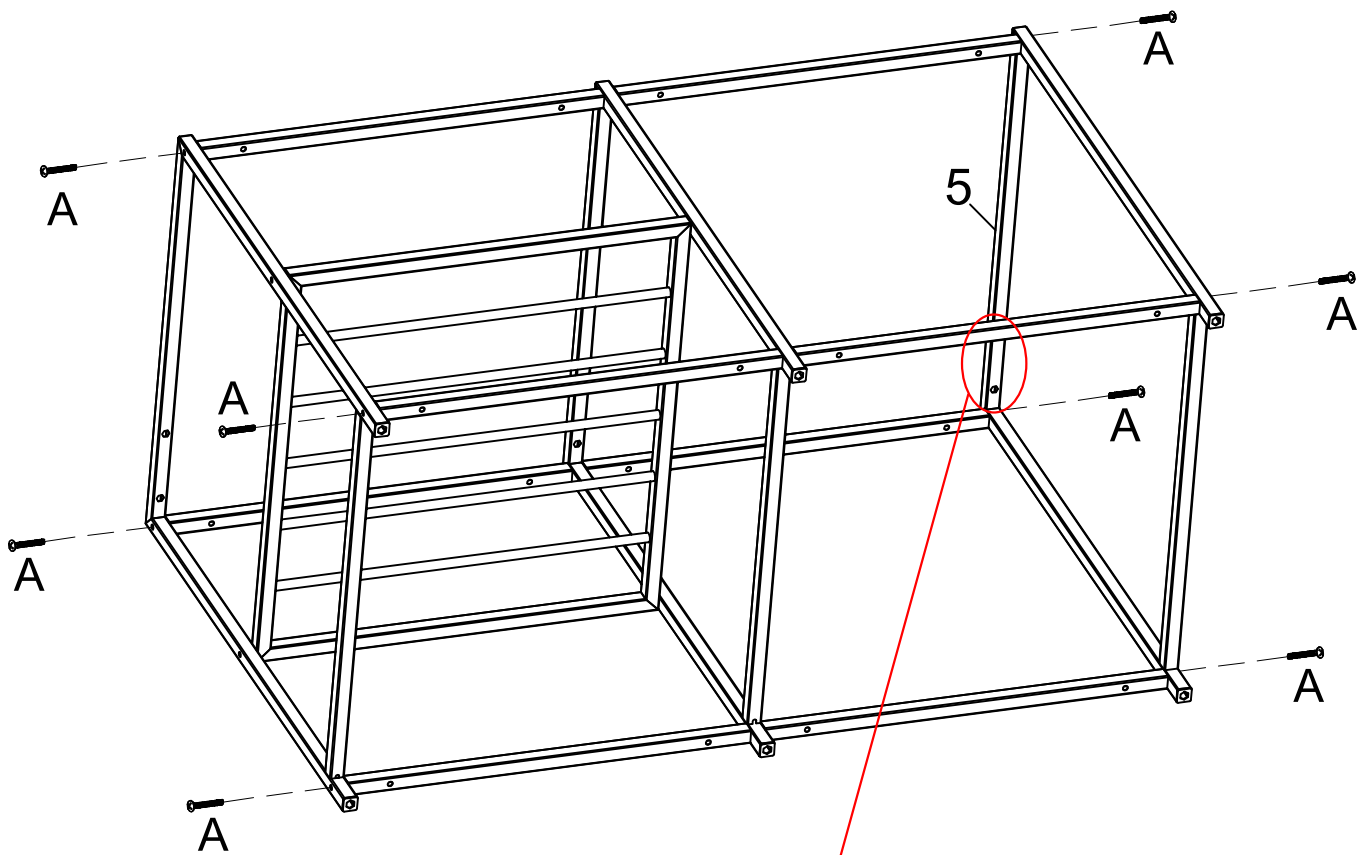
# Step 3



A x 8



5 x 1



Attention: The screw hole faces inward

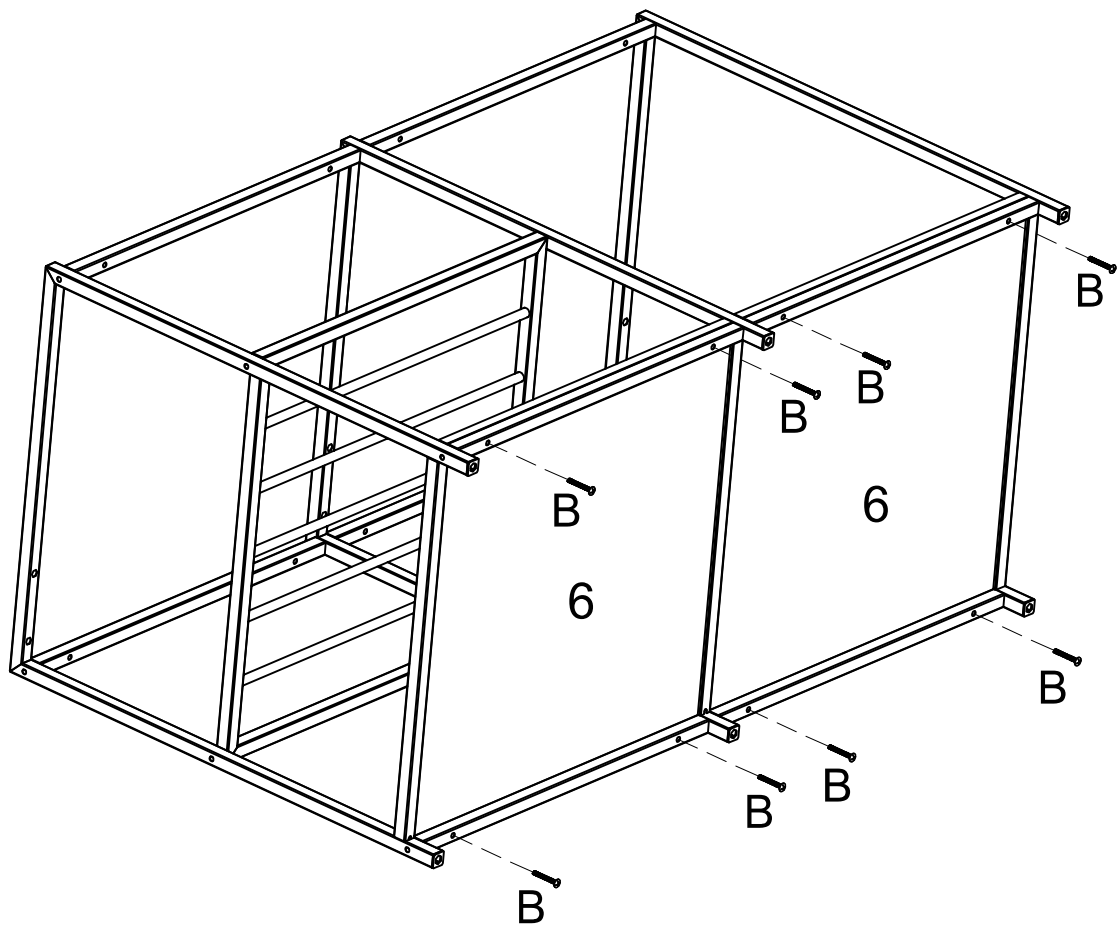
# Step 4



B x 8



6 x 2

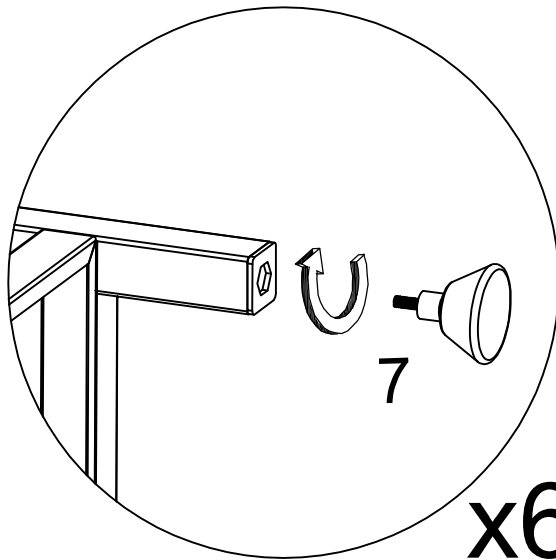


# Step 5

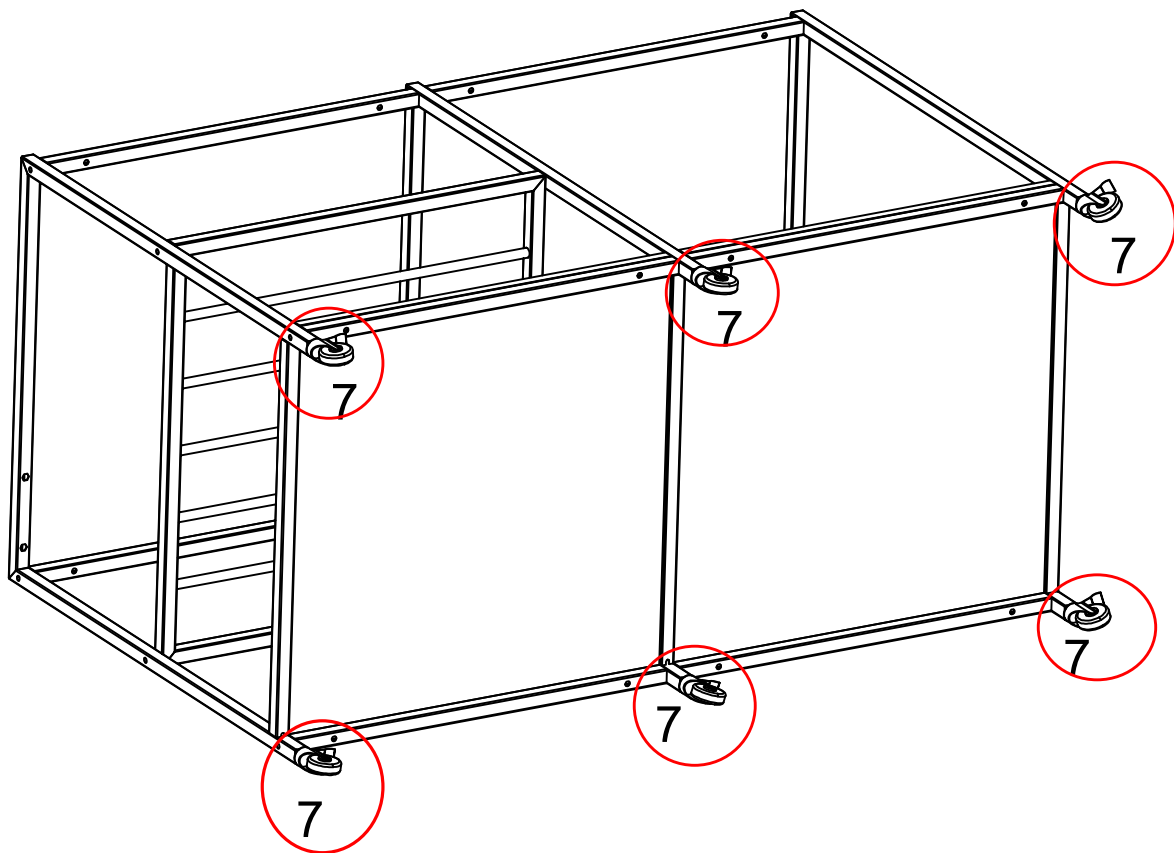
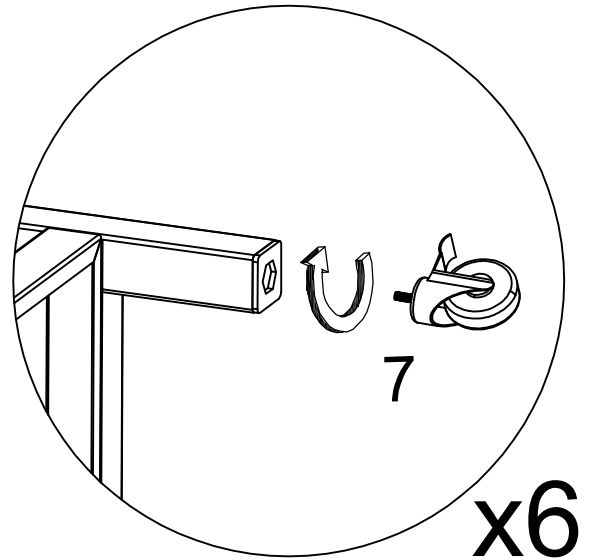


7 x 6

Tips: Both types of No.7 parts are included.  
Please install according to your needs.



or



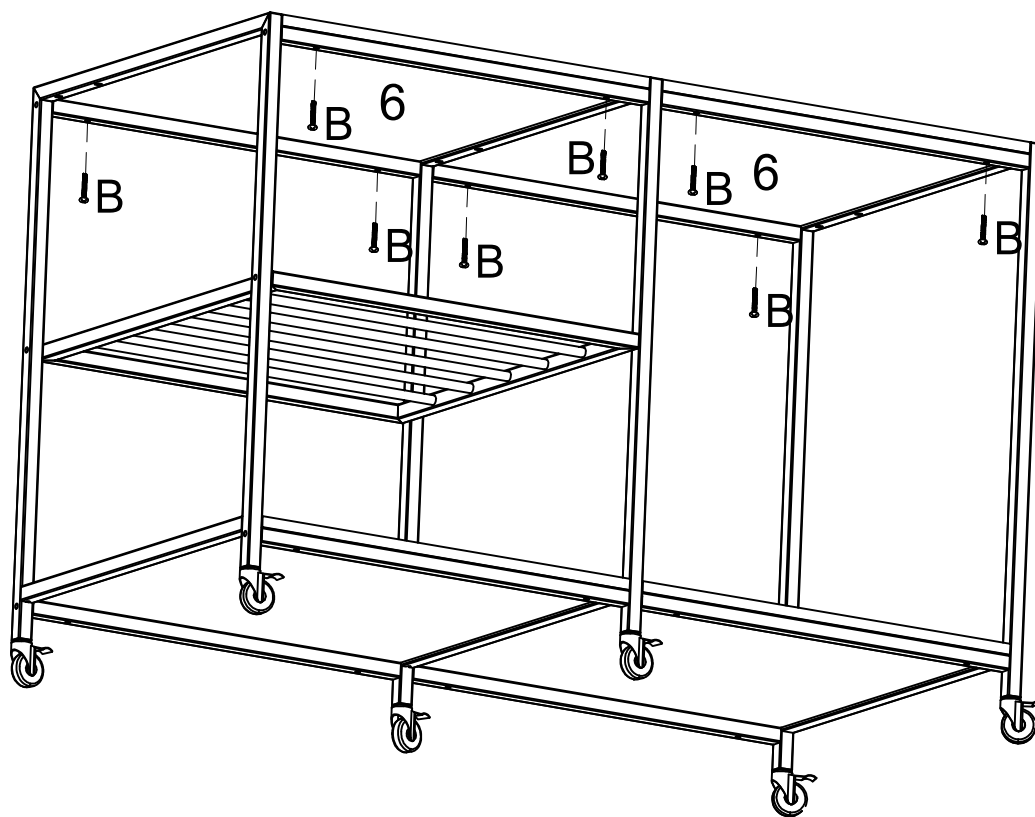
# Step 6



B x 8



6 x 2



# Step 7



A x 6



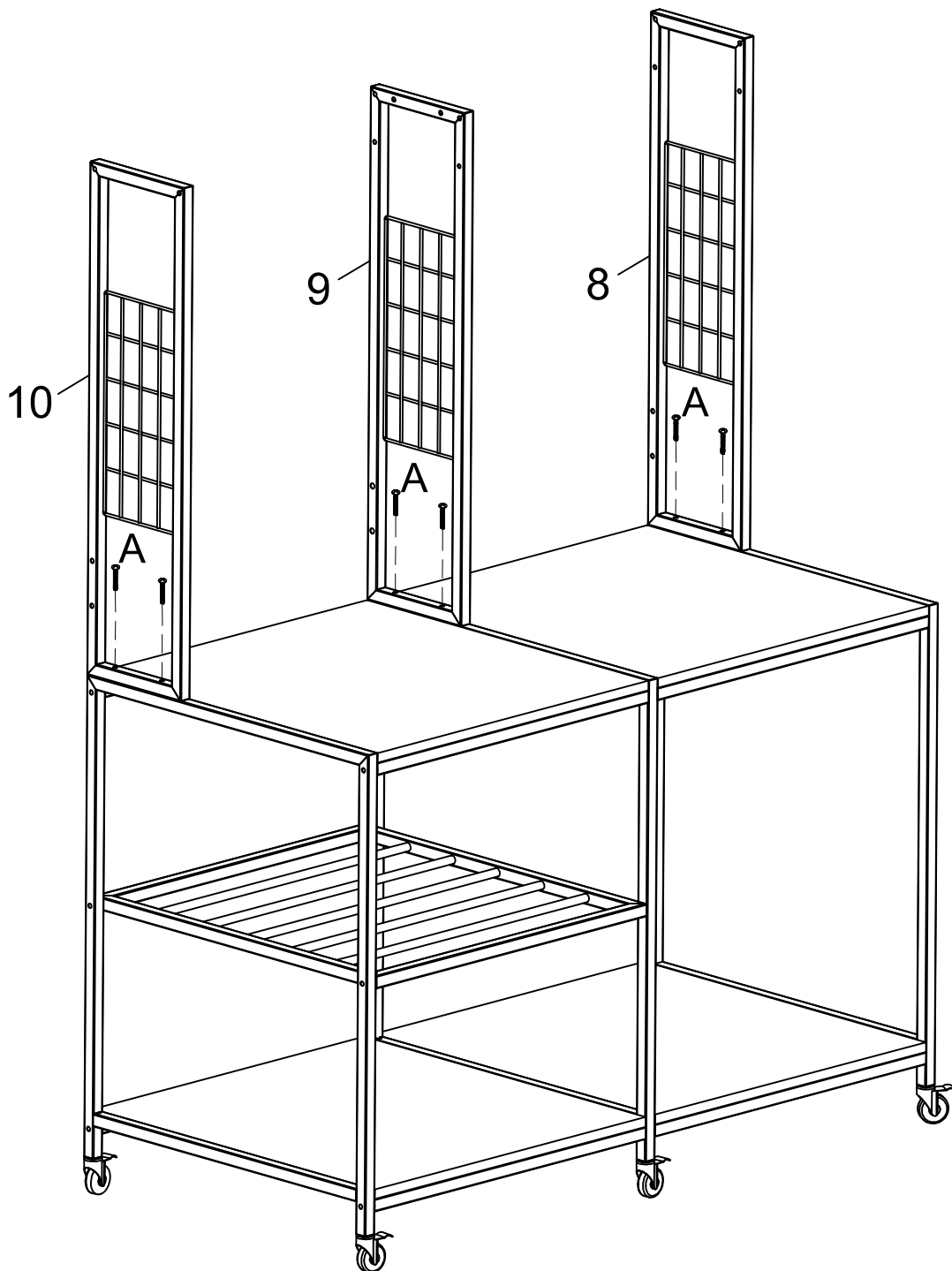
8 x 1



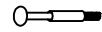
9 x 1



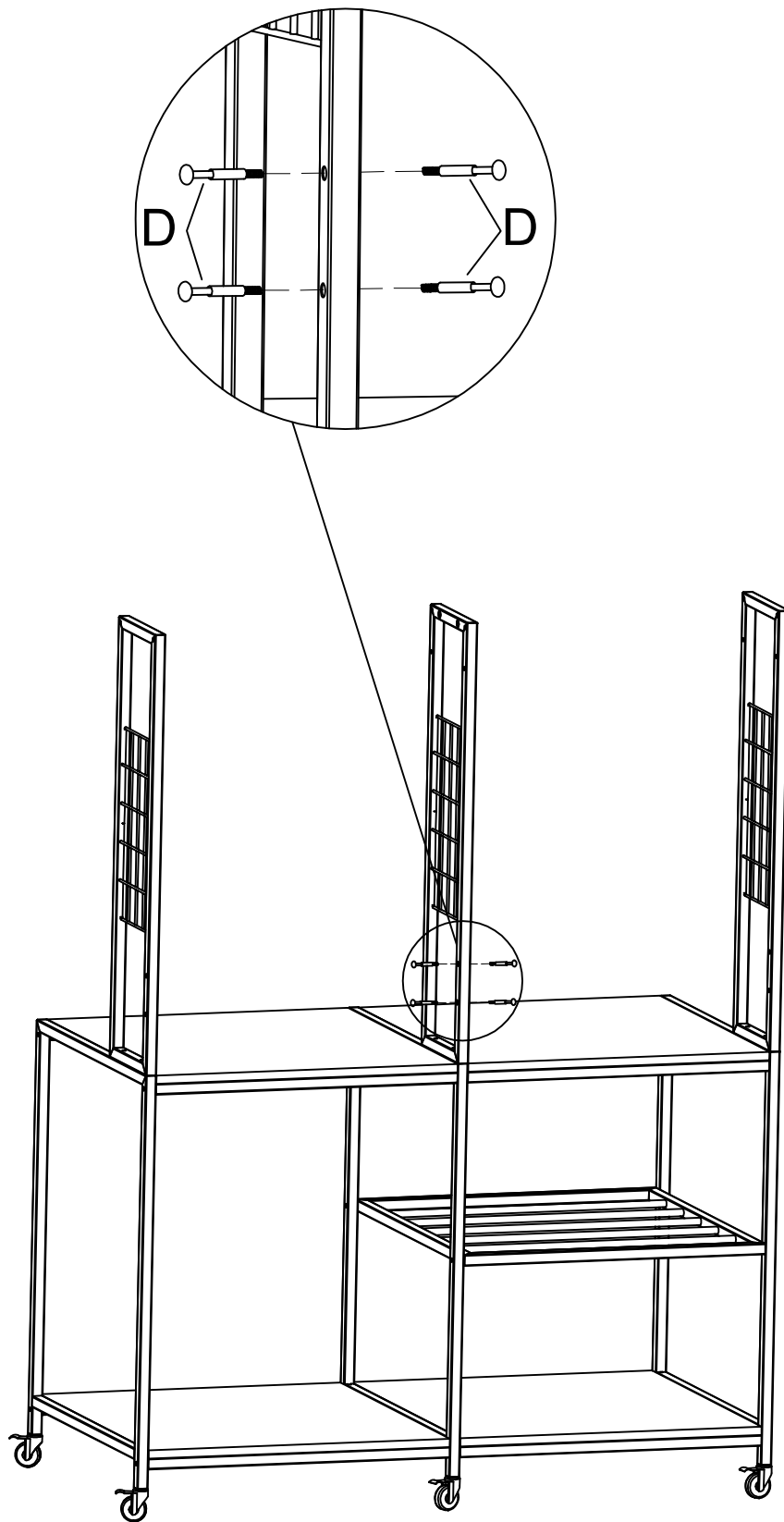
10 x 1



# Step 8



D x 4



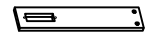
# Step 9



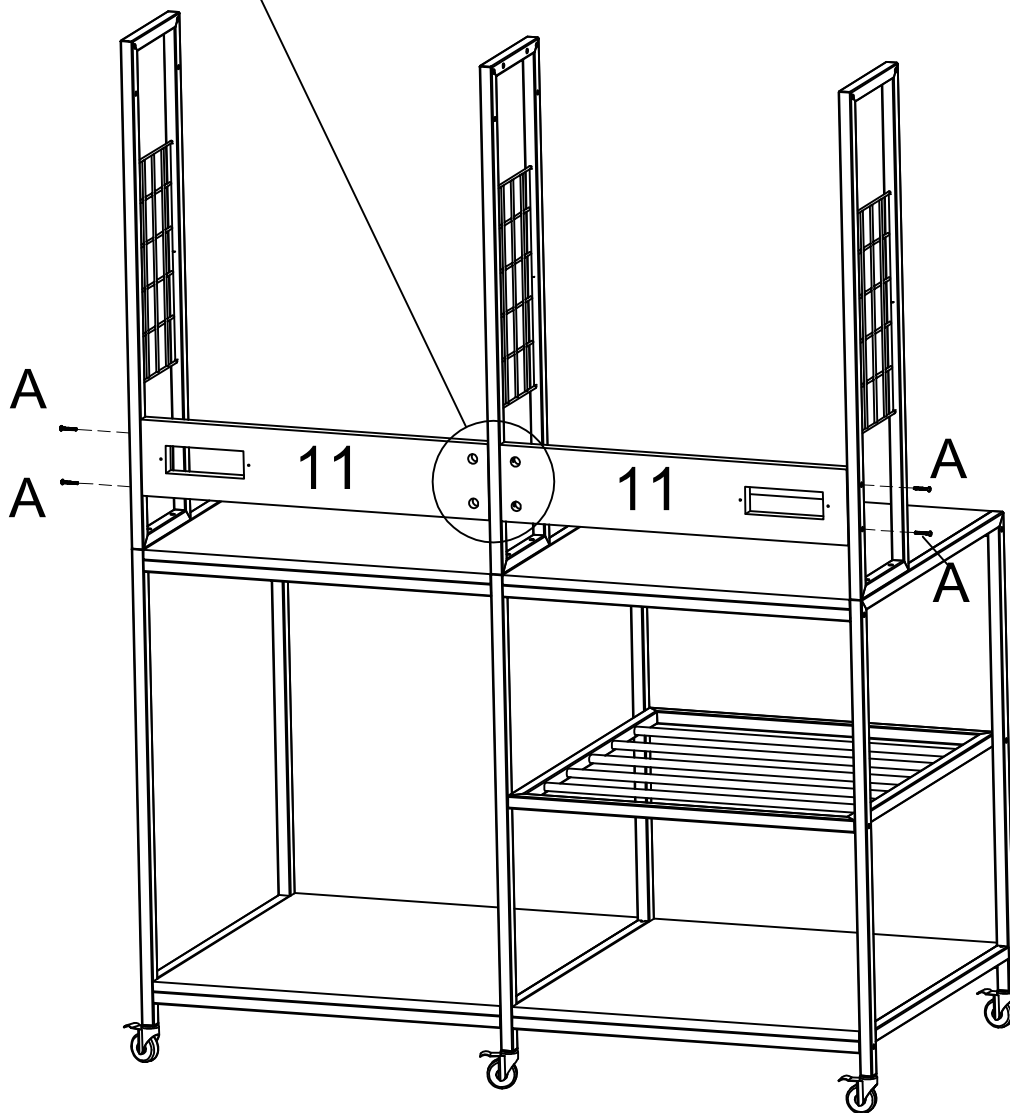
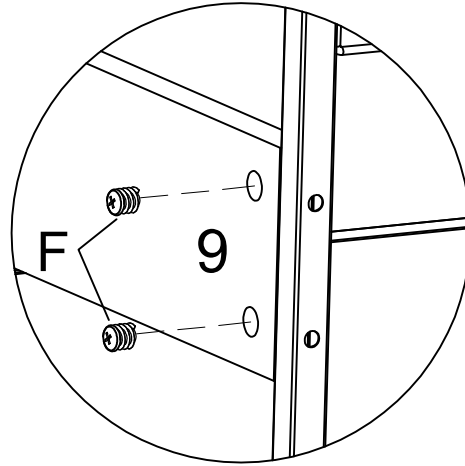
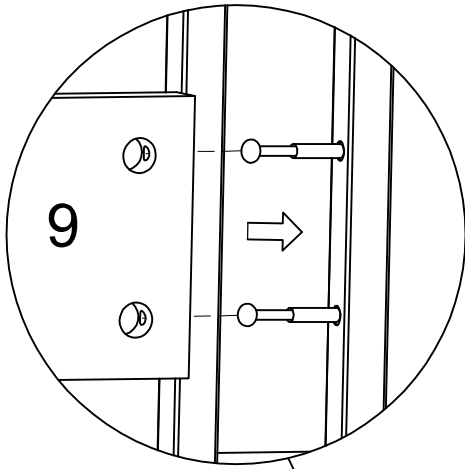
A x 4



F x 4



11 x 2



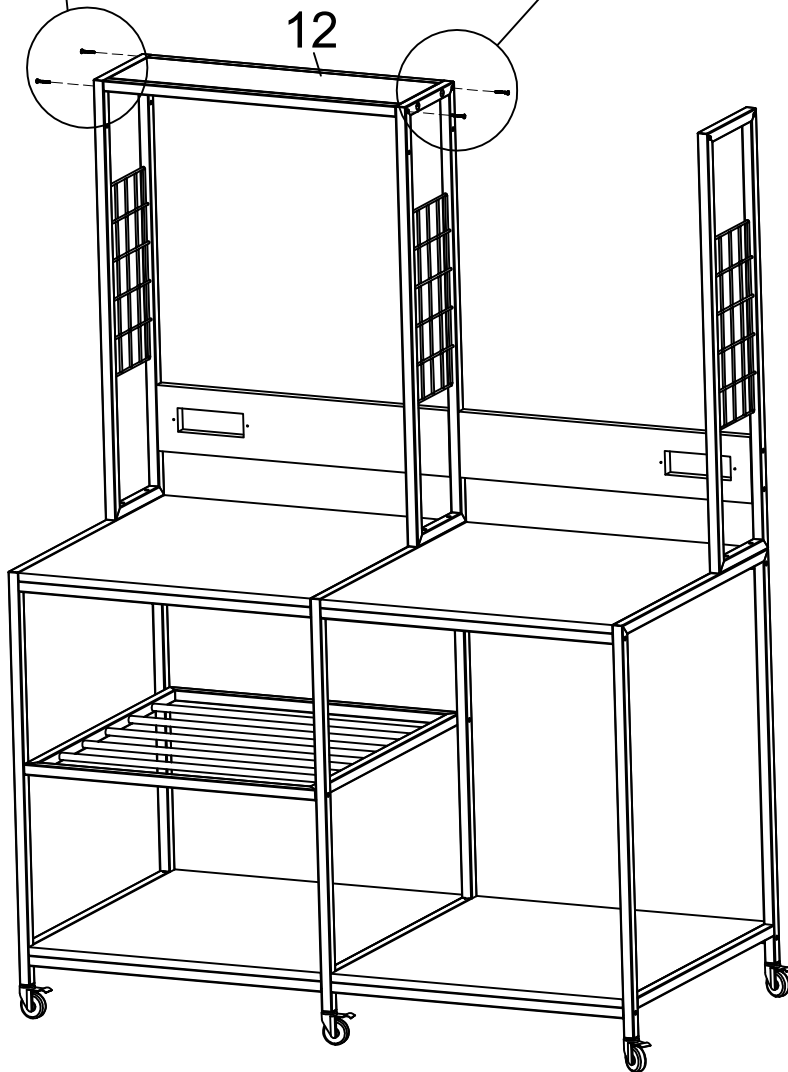
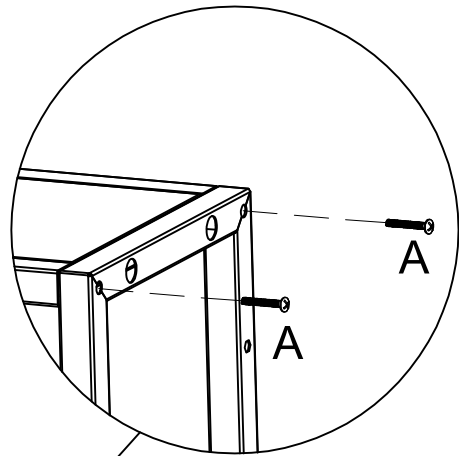
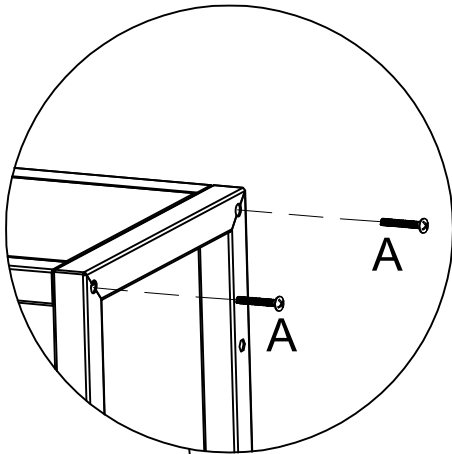
# Step 10



A x 4



12 x 1



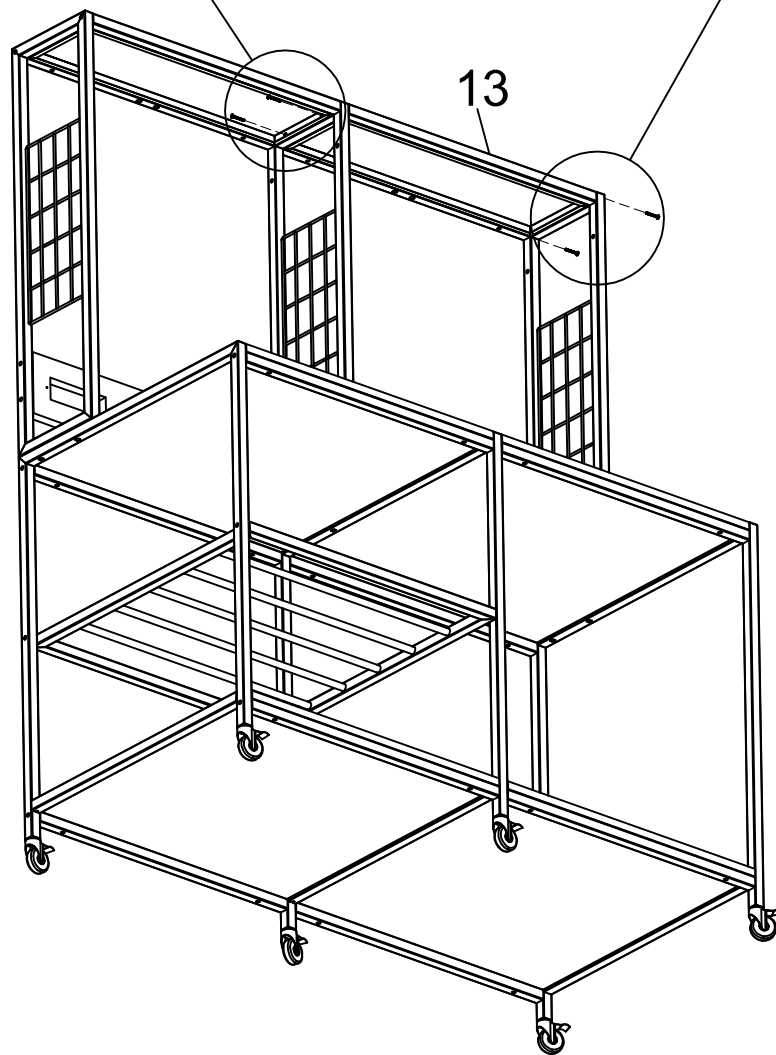
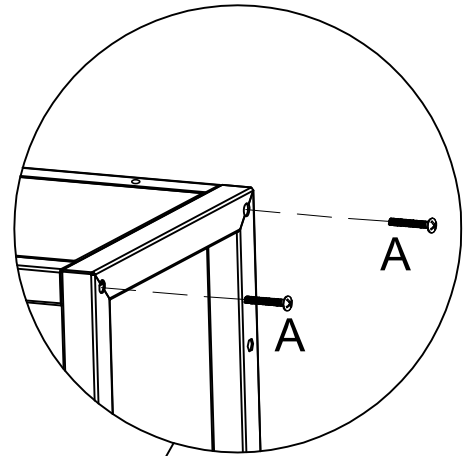
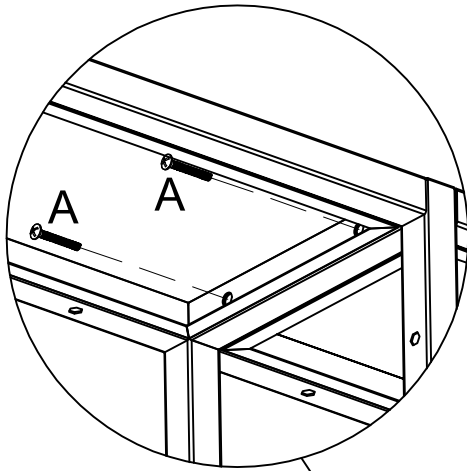
# Step 11



A x 4



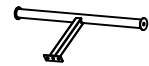
13 x 1



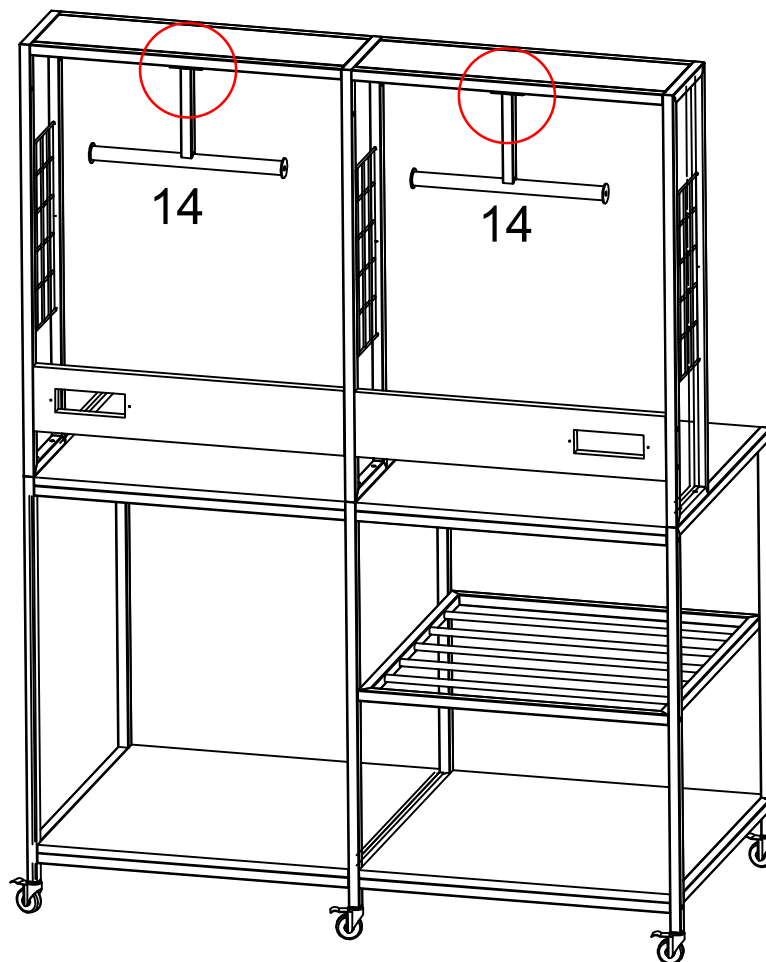
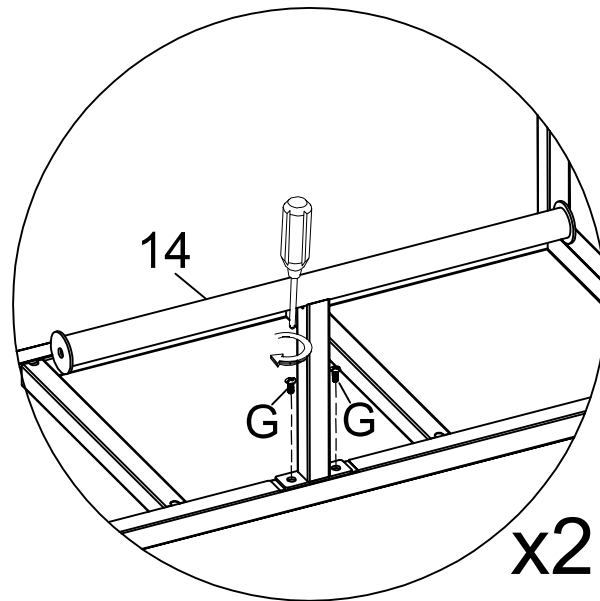
# Step 12



G x 4



14 x 2



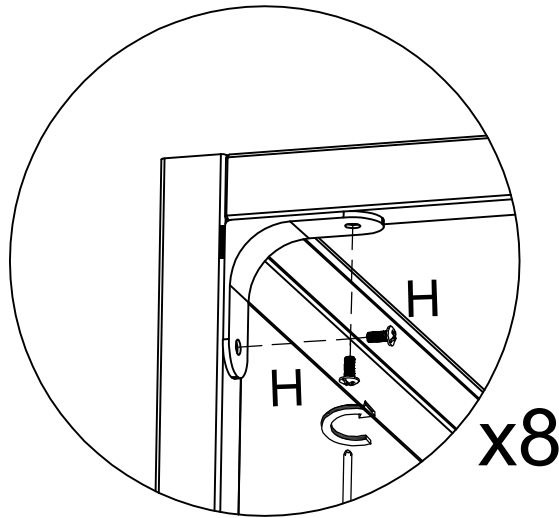
# Step 13



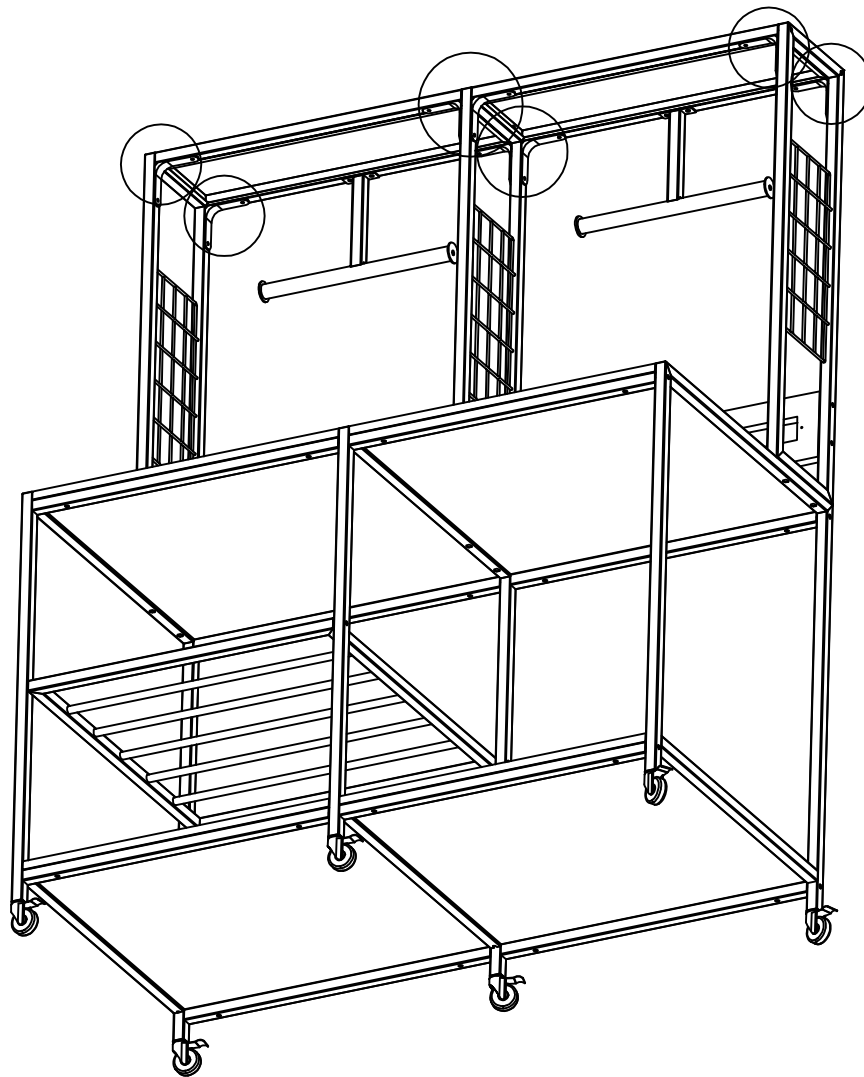
H x 16



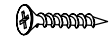
I x 8



x8



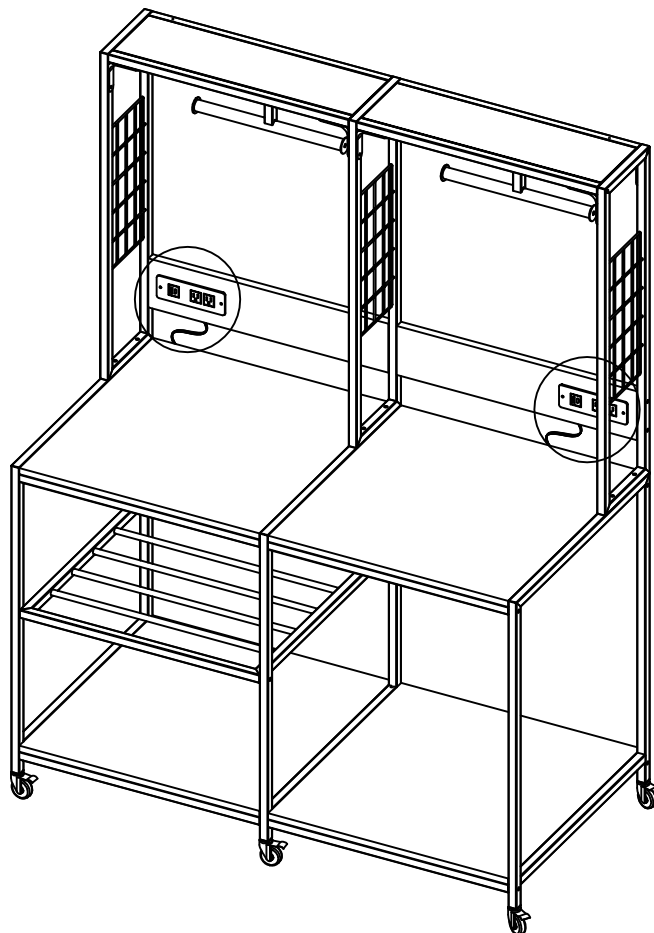
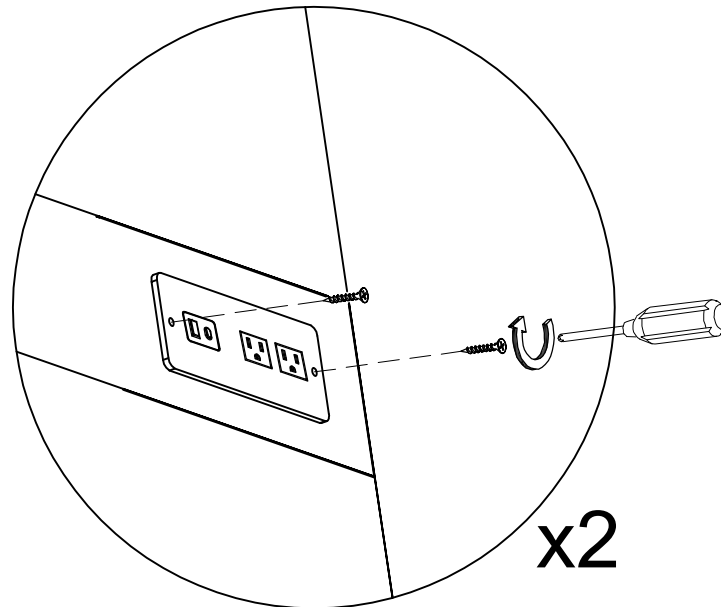
# Step 14



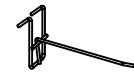
Ex 4



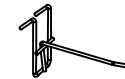
15 x 2



# Step 15

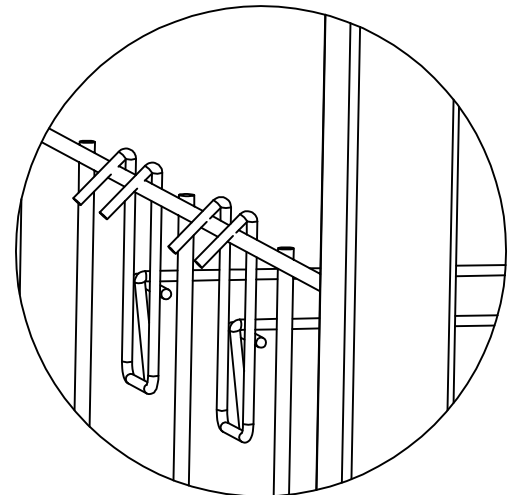
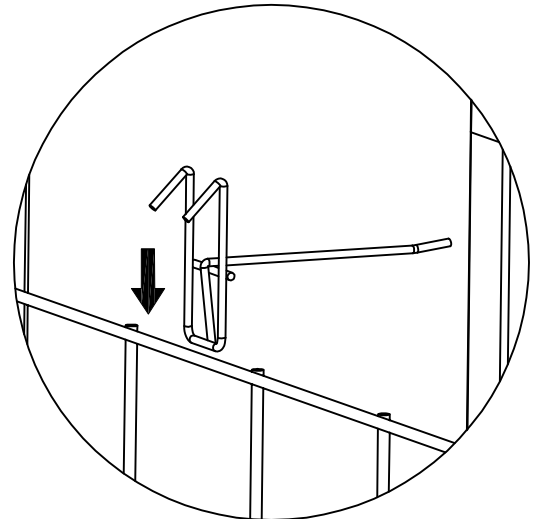
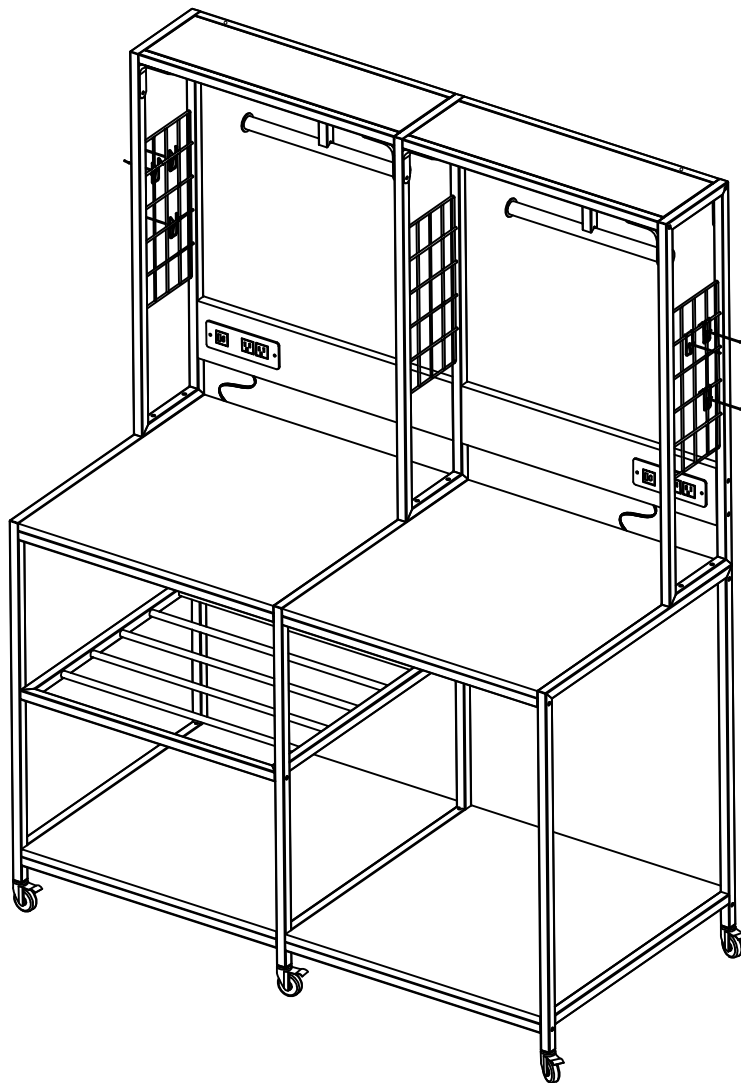


J x 2





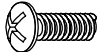

K x 4

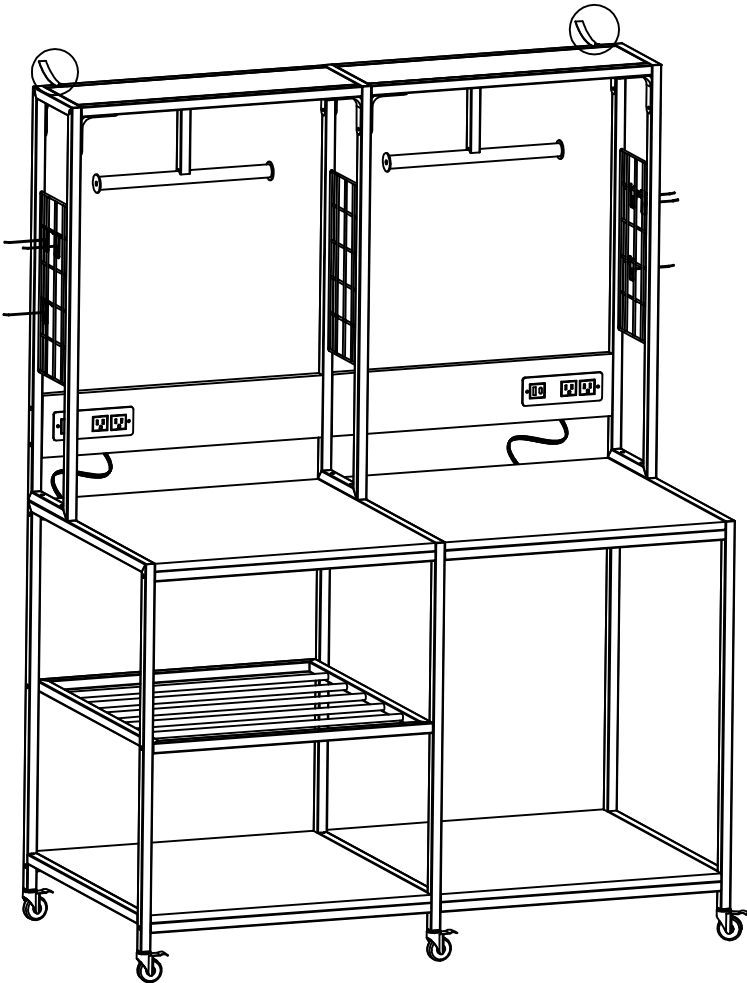
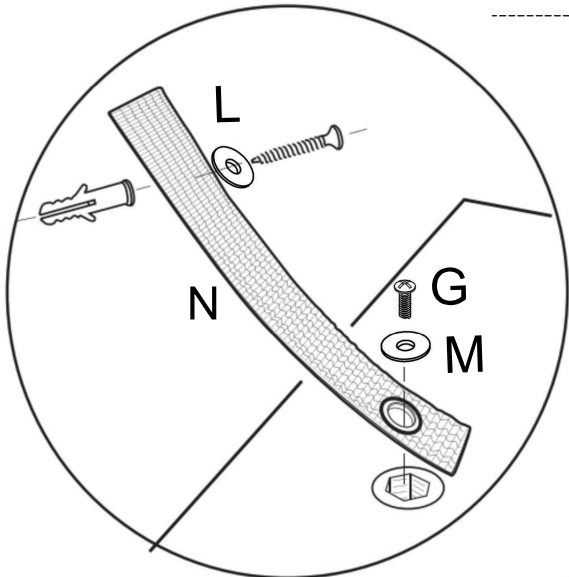
Tips: We have provided sufficient J-type and K-type parts. Please choose and use them according to your requirements

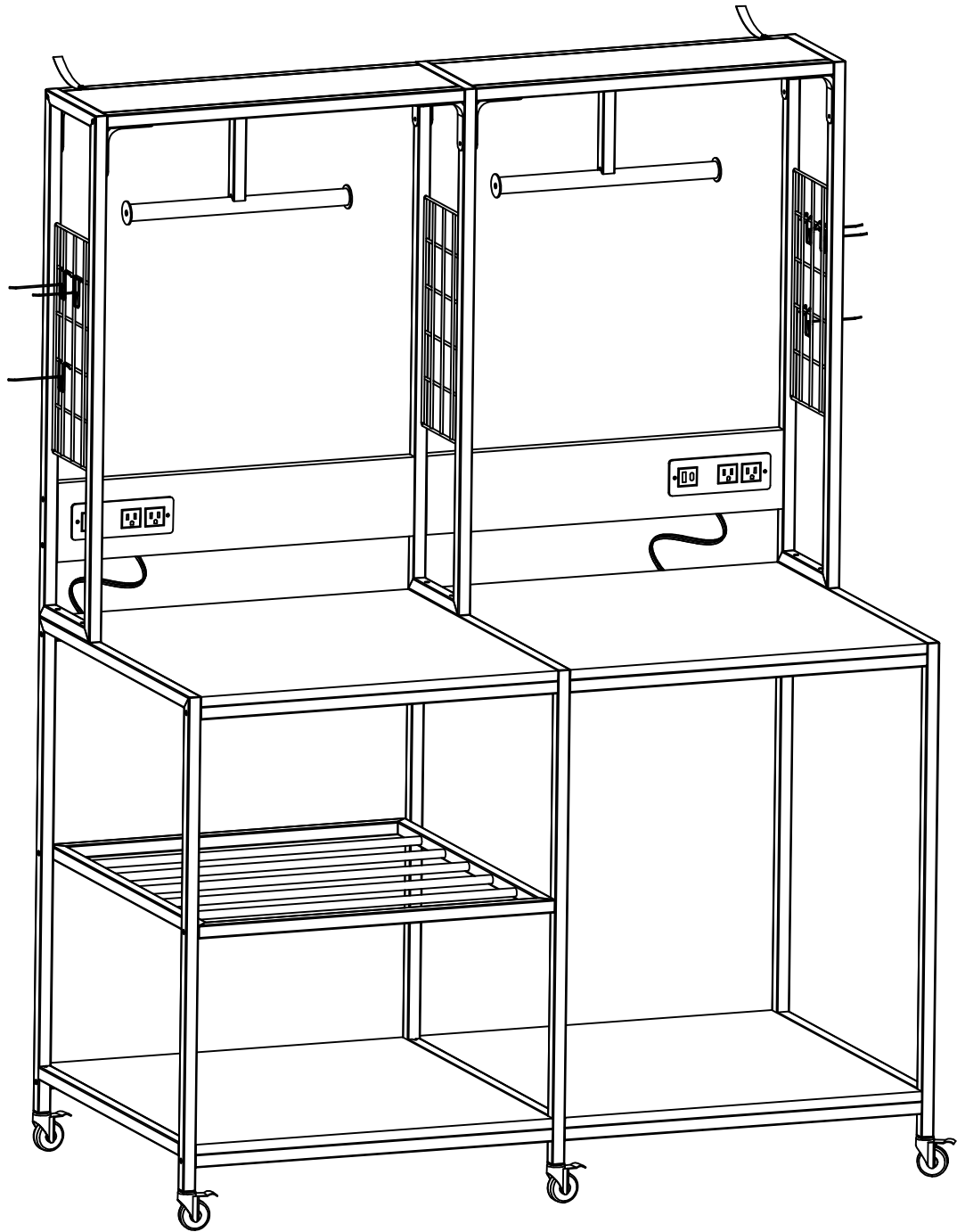


# Step 16

Note: Make sure to permanently mount this product on the wall to prevent any potential injuries that may occur if it topples over

-  L x 2
-  M x 2
-  G x 2
-  N x 2





Final Assembly