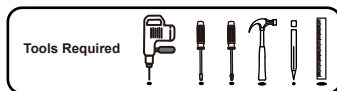
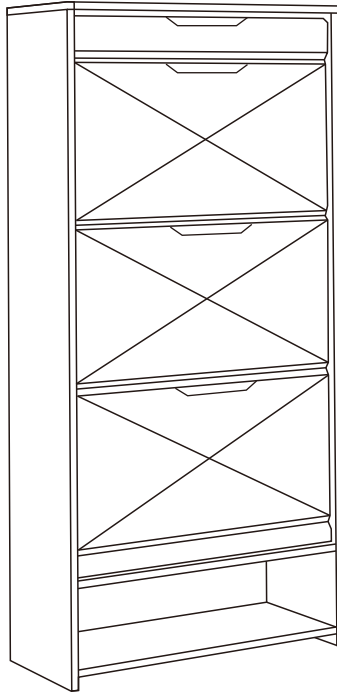


INSTALLATION MANUAL

SHOE STORAGE CABINET



updated on 4/27/2023

SUMMARY

INTRODUCTION/TIPS AND WARNINGS page 3

**STRUCTURAL DECOMPOSITION
DIAGRAM** page 4

PARTS LIST page 5

INSTALLATION STEPS page 7

INTRODUCTION

Before using the product ,please read this manual carefully and then assemble it.

To avoid any injury or damage to the product,please follow safety rules below.

- Product to be installed in a dry,flat place indoor.
- Assembly & movement: minimum 2 adults - heavy product.
- Make sure all screws in the part list included in the hardware package before assembly.
- In the event of a missing items,contact the seller within 48 hours.

TIPS AND WARNINGS:

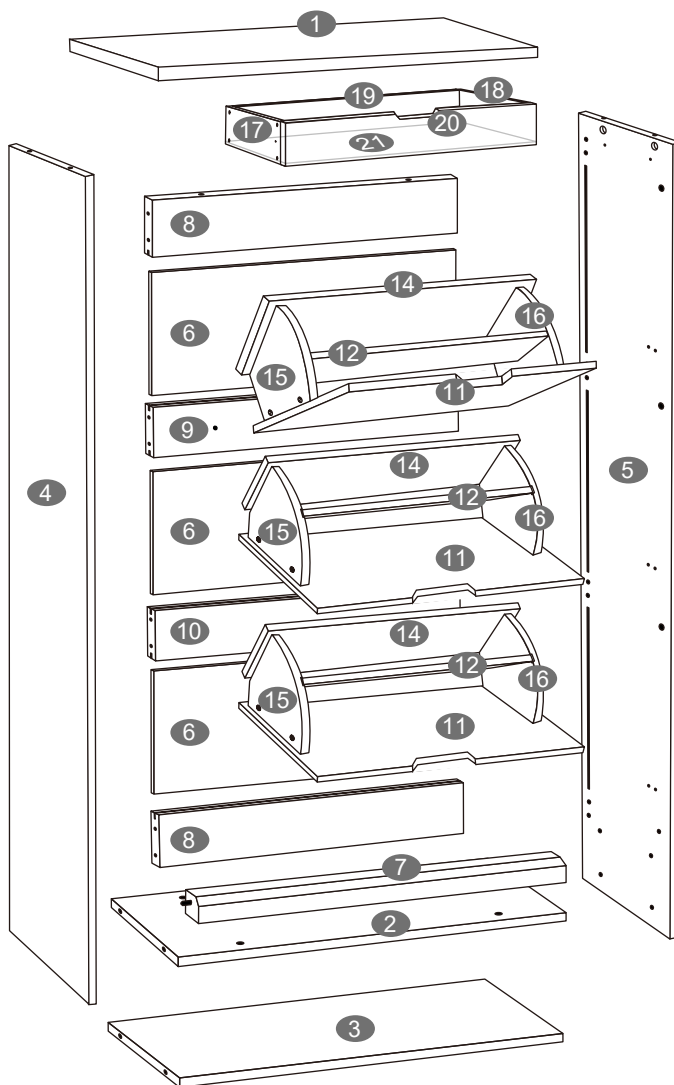
- Do not lean on the shoe cabinet.
- Do not store in a damp room or outdoor.
- Beware of the risks of pinching and puncturing during installation.

Maintenance :

Cleaning with a dry cloth.

Far away from water or wet shoes.




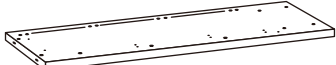






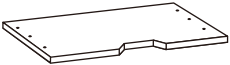



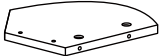



STRUCTURAL DECOMPOSITION DIAGRAM






The picture is for reference only

PART LIST





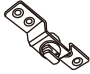

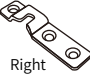


Illustration picture for reference only








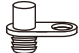

NO.	DESCRIPTION	QTY	SIZE	ILLUSTRATION
1	Top panel	1	24.8*11.5*0.59"	
2	Bottom panel	1	23.5*11.5*0.59"	
3	Bottom panel	1	23.5*11.5*0.59"	
4	Left side panel	1	52.9*11.5*0.59"	
5	Right side panel	1	52.9*11.5*0.59"	
6	Back panel	3	23.8*11.3*0.16"	
7	Front rail	1	23.6*1.57*0.59"	
8	Back strip	2	23.5*2.99*0.47"	
9	Back strip	1	23.5*2.99*0.47"	
10	Back strip	1	23.5*2.99*0.47"	
11	Rack cover panel	3	23.4*12.7*0.59"	
12	Rack partition panel	3	21.2*5.30*0.47"	
13	Rack bottom panel	3	20.8*5.87*0.47"	
14	Rack back panel	3	23.4*7.78*0.47"	
15	Left rack side panel	3	10.5*9.13*0.47"	
16	Right rack side panel	3	10.5*9.13*0.47"	
17	Drawer left side panel	1	9.80*2.99*0.47"	
18	Drawer right side panel	1	9.80*2.99*0.47"	

19	Drawer back panel	1	21.6*2.99*0.47"	
20	Drawer panel	1	23.4*3.54*0.59"	
21	Drawer bottom panel	1	22.0*9.72*0.16"	

PART LIST

Illustration picture for reference only

NO.	ILLUSTRATION	QTY	SIZE
22		50	
23		50	
24		24	0.19*1.96"
25		24	
26		6	
27	 Left	3	
28	 Right	3	
29		2	
30		2	

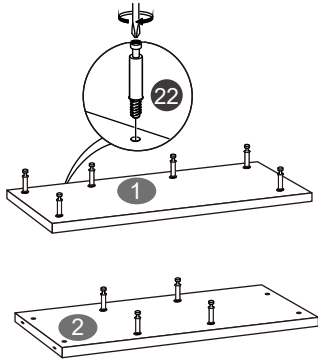
NO.	ILLUSTRATION	QTY	SIZE
31		4	0.13*0.98"
		14	0.13*0.62"
33		32	0.13*0.47"
34		18	0.15*0.47"
35		2	0.13*1.37"
36		2	
37		2	
38		6	0.15x0.47"
39		8	

INSTALLATION STEPS

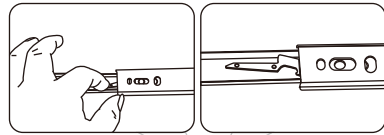
Please read the instructions carefully before assembling the cabinet.

Two adults are required for assembly of this product on a clean, flat surface instead of a rough surface.

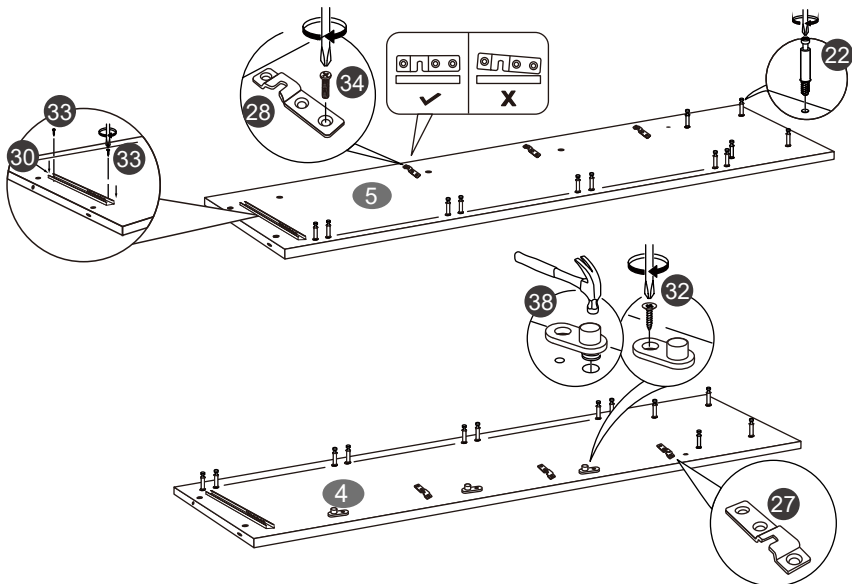
STEP 1



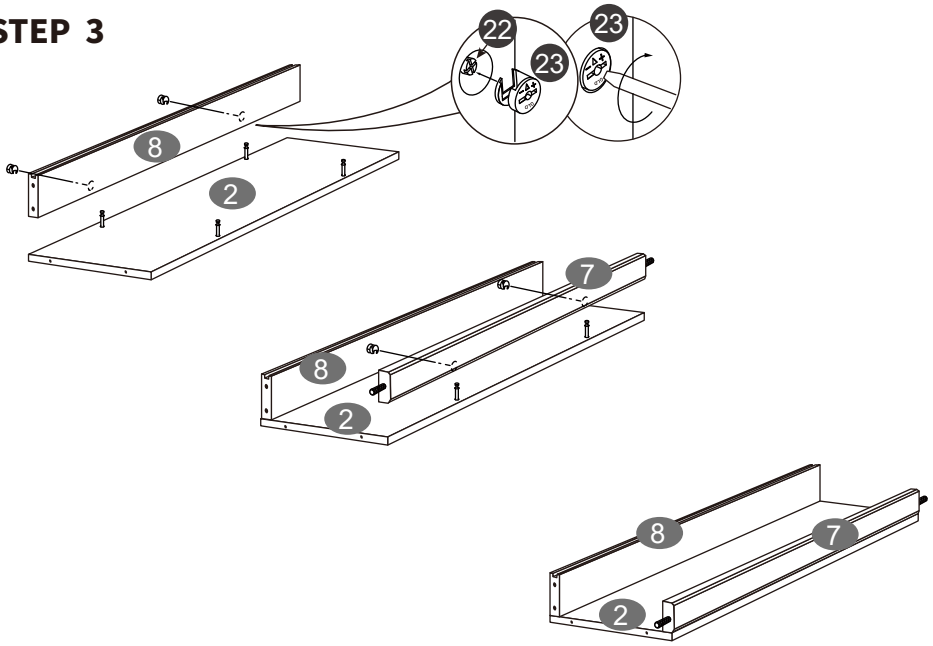
Please press the button to separate the drawer runner.



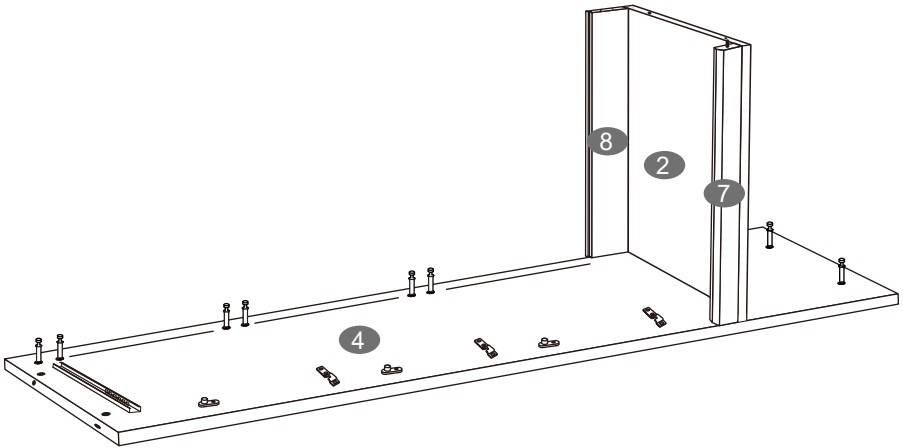
STEP 2



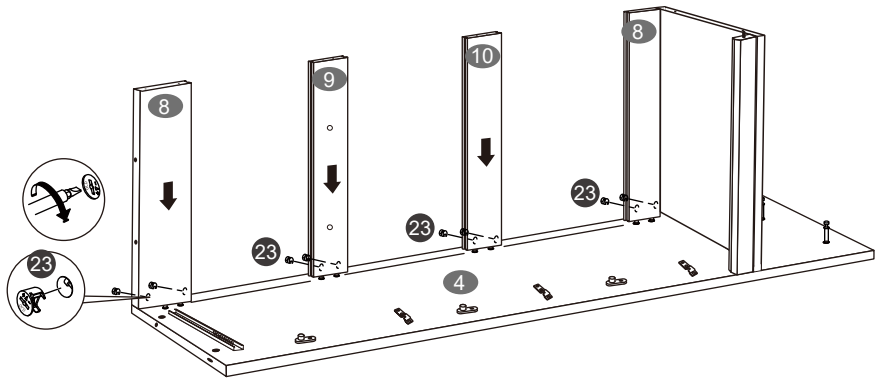
STEP 3



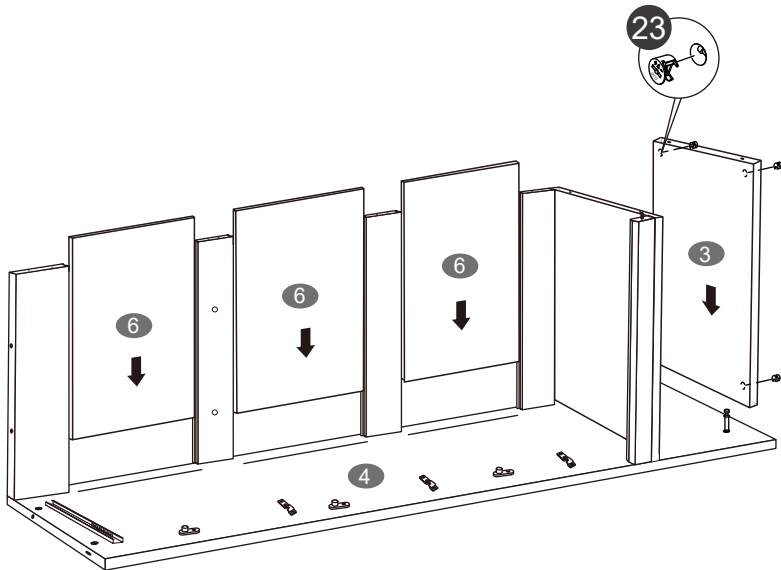
STEP 4



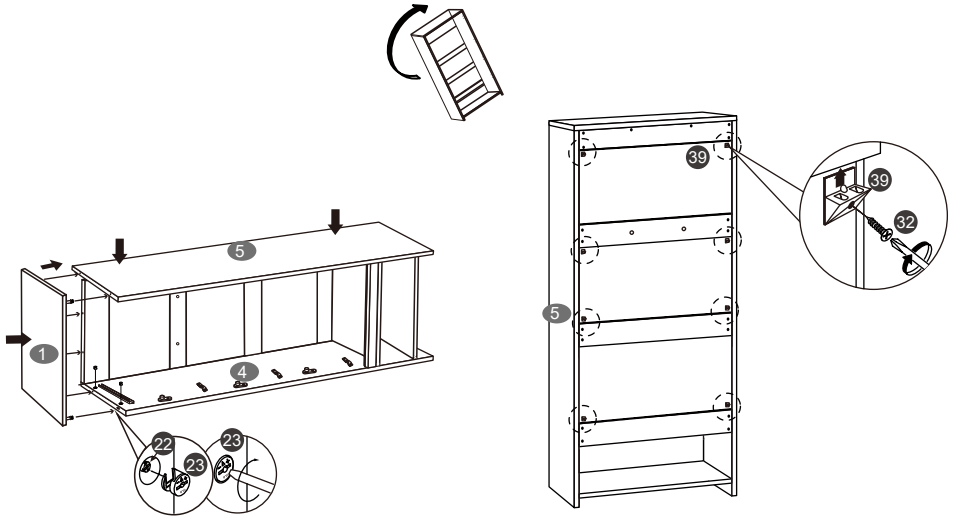
STEP 5



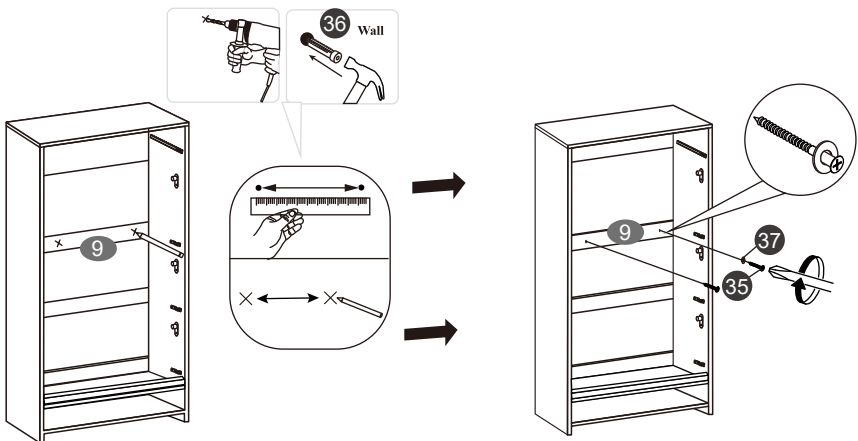
STEP 6



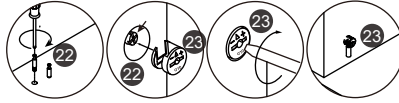
STEP 7



STEP 8

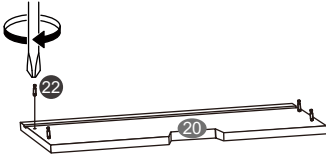


STEP 9

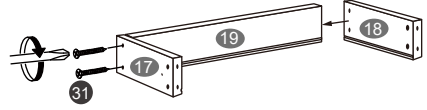


Attention:
Put 23 into the hole, turn 23 to lock 22.

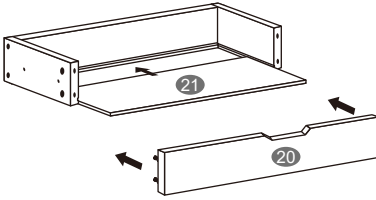
1



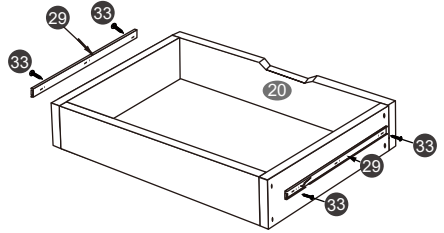
2



3

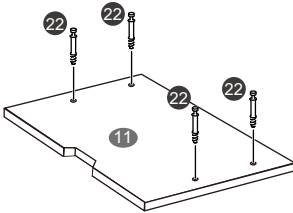


4

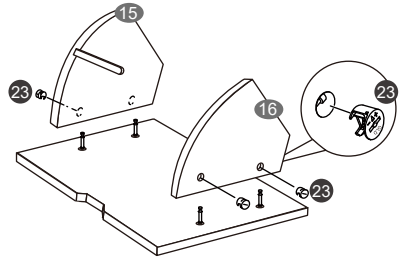


STEP 10

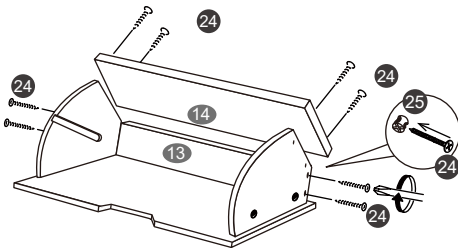
1



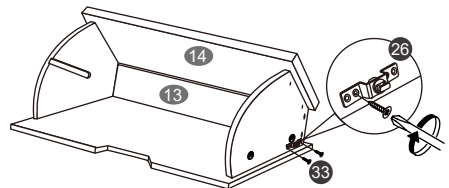
2



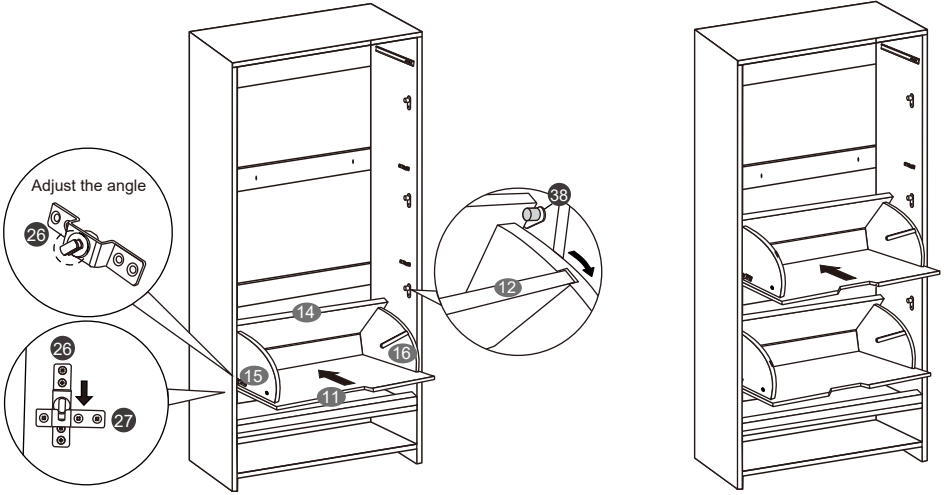
3



4



STEP 11



STEP 12

