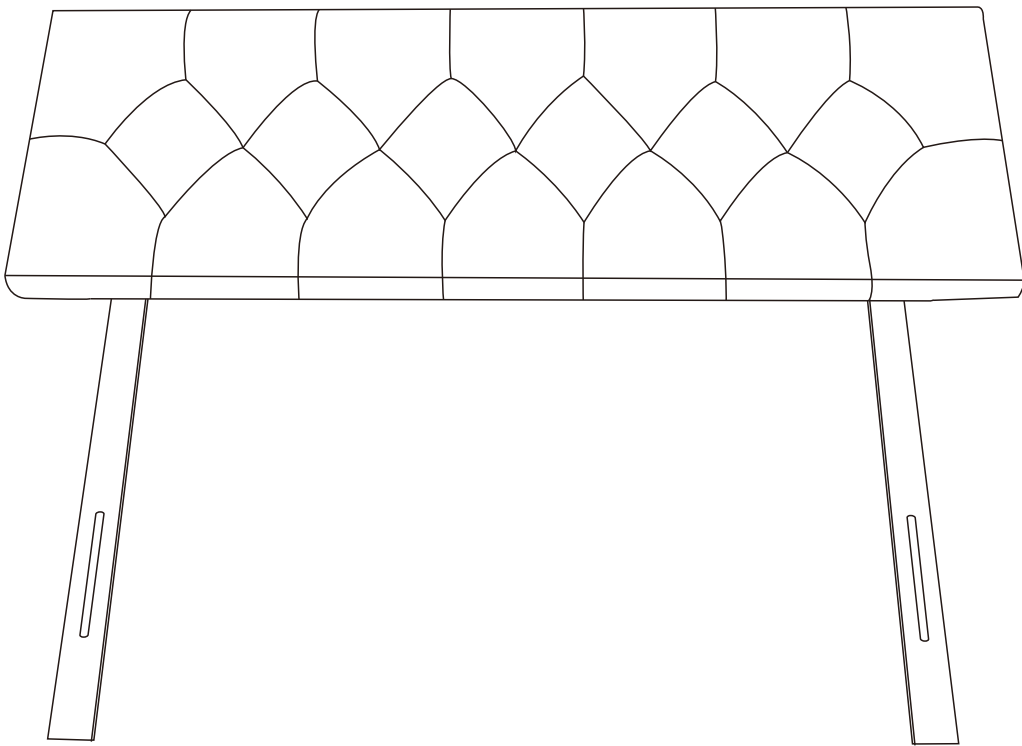


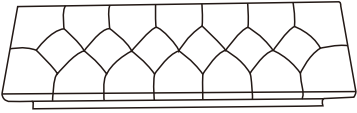
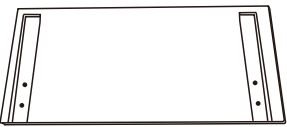
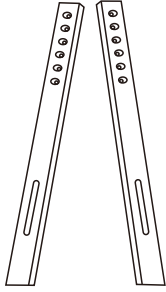

# Assembly Manual

## Headboard


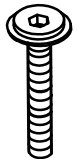




Please read this manual carefully before any operation and keep it properly for future use.  
If any problems on our product, please feel free to Contact us

# Components List

<p><b>A</b> Soft bag</p>  <p>x1</p>	<p><b>B</b> Headboard frame</p>  <p>x1</p>	<p><b>D</b> Foot</p>  <p>x2</p>
<p><b>E</b> Adapter</p>  <p>x2</p>		

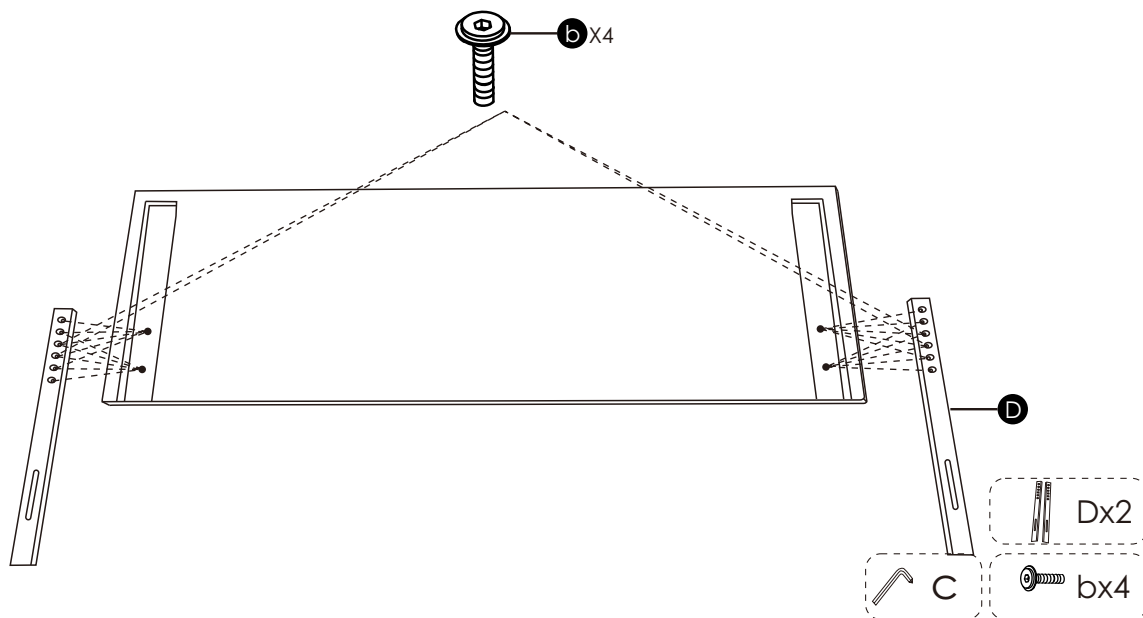
# Components List

<p>M8X25</p>  <p>x4</p>	<p>M8X30</p>  <p>x2</p>		 <p>x2</p>		
<p><b>b</b></p>	<p><b>c</b></p>	<p><b>e</b></p>	<p><b>d</b></p>		

# Assembly Instruction

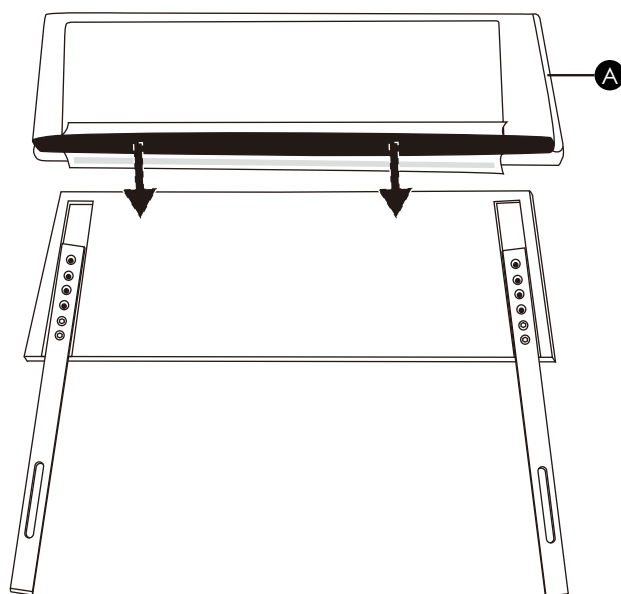
1

Attach feet(D) to the headboard frame(B) using bolts(b) and Allen wrench(e) according to your height of bed frame.



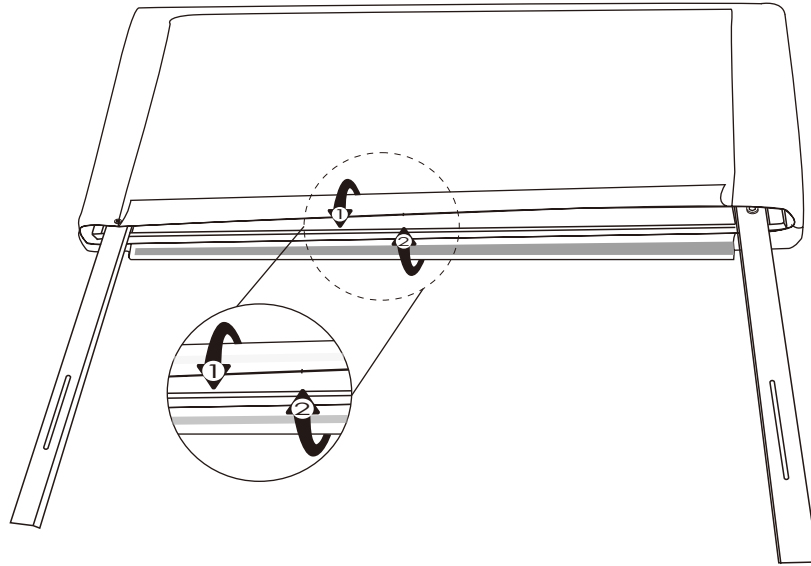
2

Slide the soft bag(A) into the headboard frame from top to bottom.



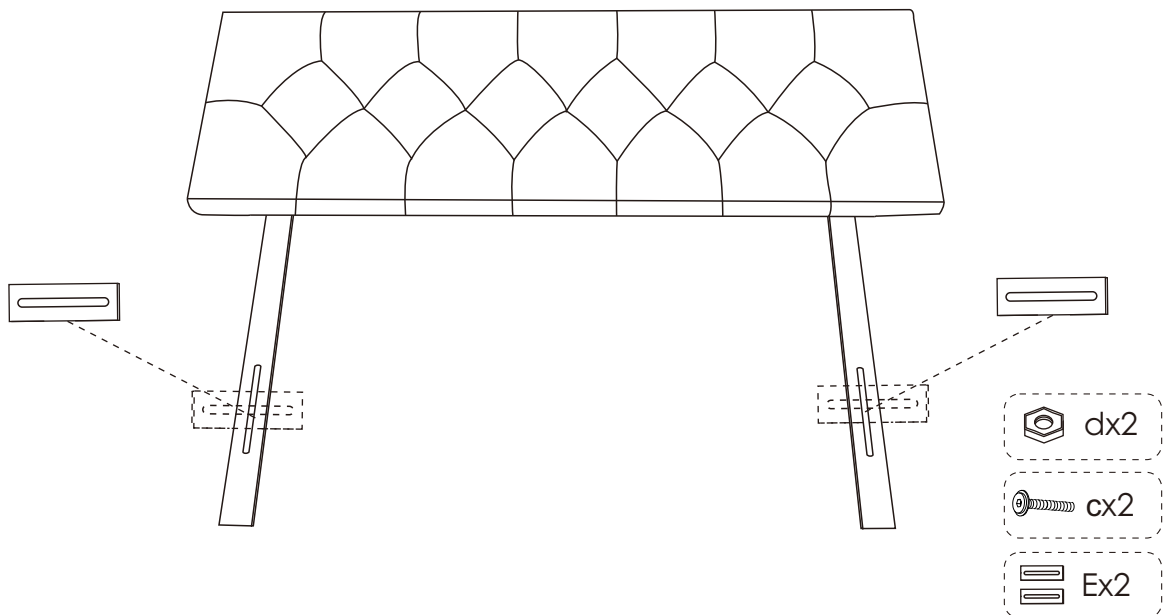
3

Stick the Velcro under the soft bag together.



4

If your bed frame doesn't match the hole, please attach adapters(E) to the feet using bolts (c) and washers(d).



5

The assembly is done.

