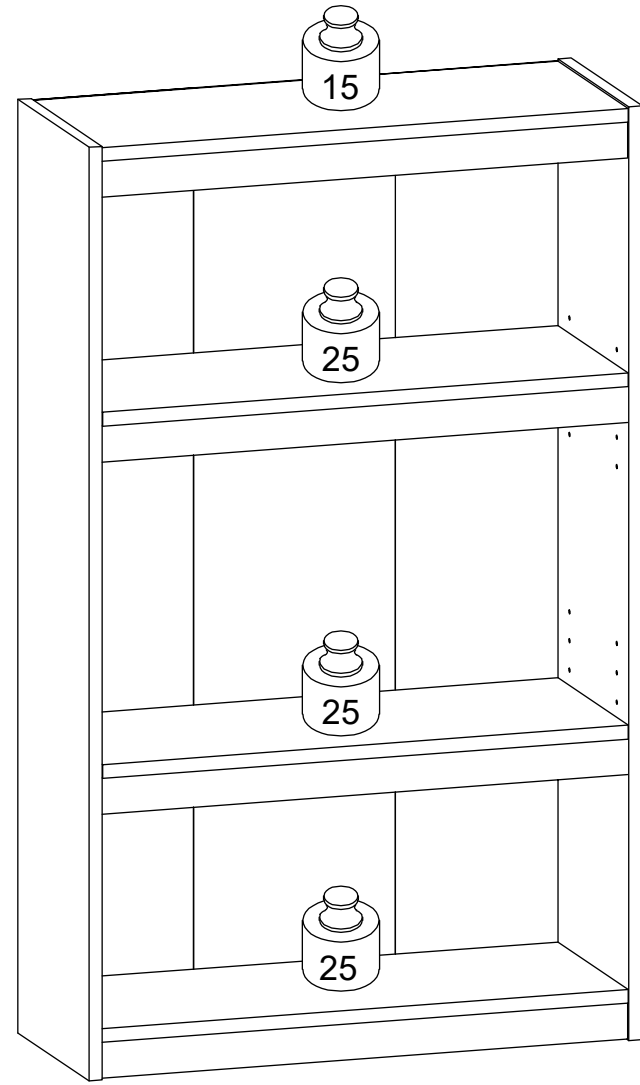


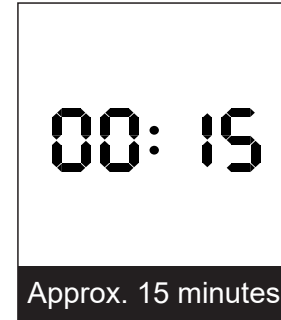
Recommended Maximum Weight



*Unit in Pound(lbs.)

WARNING:

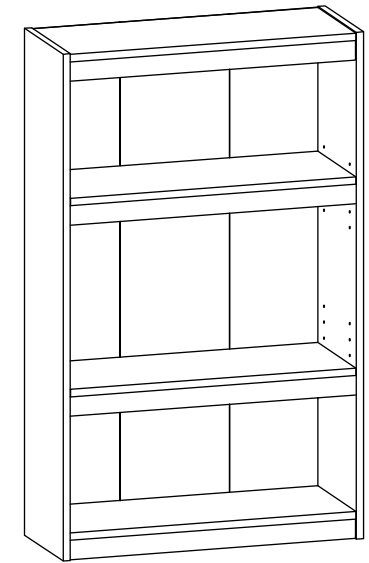
- >This unit has been designed to support the maximum loads shown. Exceeding these load limits could cause sagging, instability, product collapse, and/or serious injury.
- >DO NOT allow children to climb on unit.
- > Put heavier items on lower shelves.



Assembly Instruction

Furinno JAYA Enhanced Home 3-Tier Adjustable Shelf Bookcase

MODEL : 22061




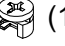




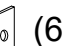



Customer Support

NEED HELP? For replacement requests or product inquiries, please contact our Customer Service Team by emailing us at support@furinno.com. Thank you for selecting Furinno!

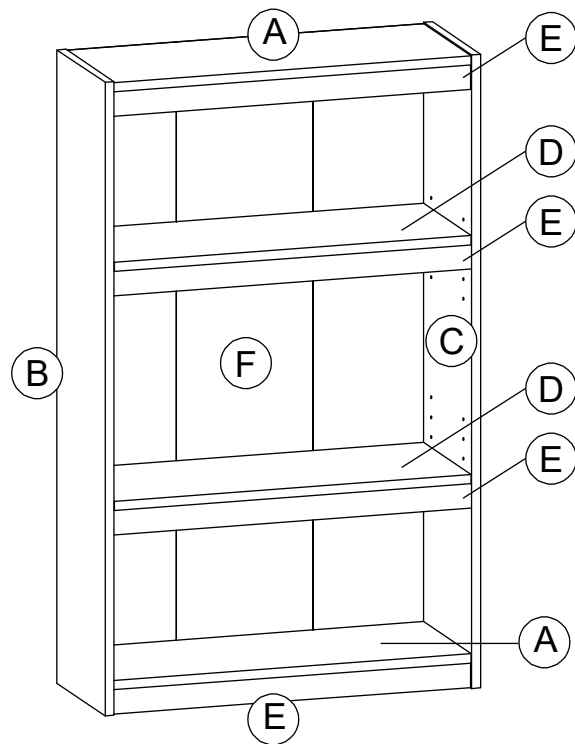
www.furinno.com



HARDWARE & PARTS LIST

NO	HARDWARE LIST	QTY
1	MINIFIX  (1a)  (1b)	8pcs
2	L BRACKET 	8pcs
3	PWA C/B SCREW 	16pcs
4	SHELF SUPPORT 	8pcs
5	POWER PIN 	28pcs
6	WALL MOUNTAIN SET  (6a)  (6b)  (6c)  (6d)	1set

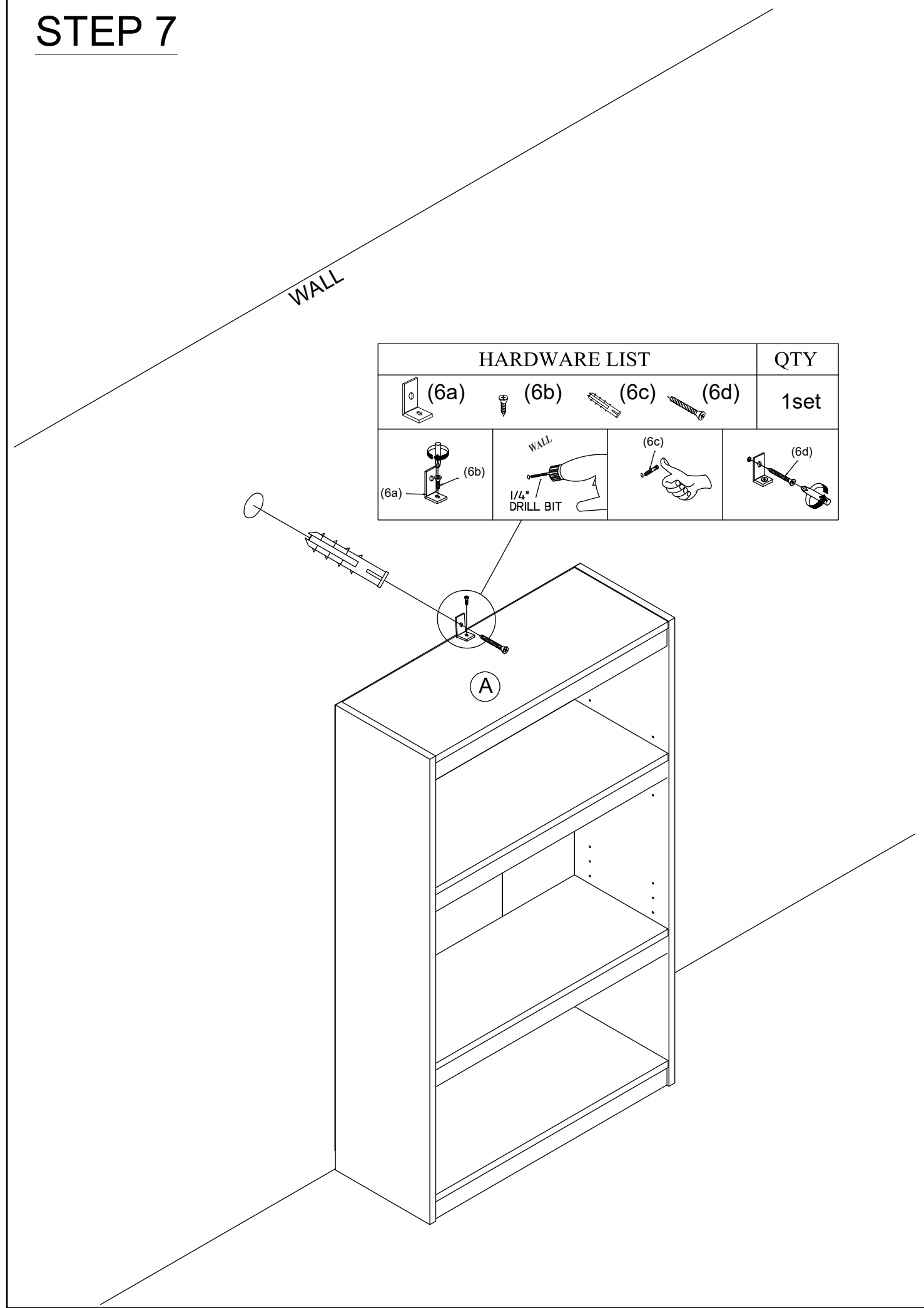
NO	PARTS LIST	QTY
A	TOP / BOTTOM PANEL	2pcs
B	LEFT SIDE PANEL	1pc
C	RIGHT SIDE PANEL	1pc
D	SHELF PANEL	2pcs
E	SUPPORT BAR	4pcs
F	BACK PANEL	1pc



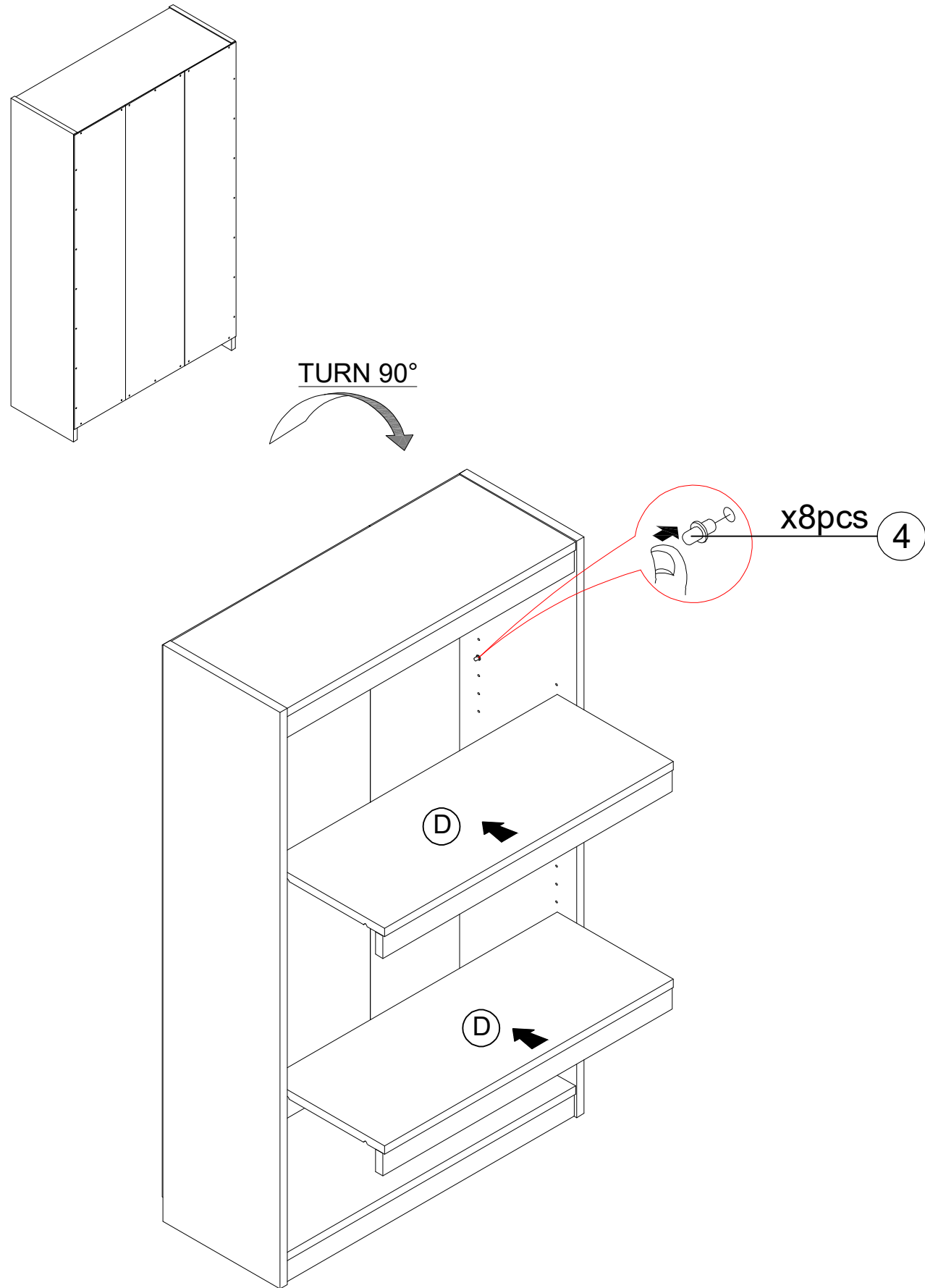
USEFUL HINTS BEFORE YOU START:

1. Read each step carefully before starting.
2. It is important that each step is performed in correct order to avoid difficulties.
3. Identify, sort and count the parts before assembly.
4. Assemble your furniture on packaging cardboard to prevent scratch or damage.
5. Clean the product with mild cleanser using soft damped cloth. Do not use harsh or abrasive cleanser.
6. Using incompatible hardware might cause damage to product.

STEP 7



STEP 6

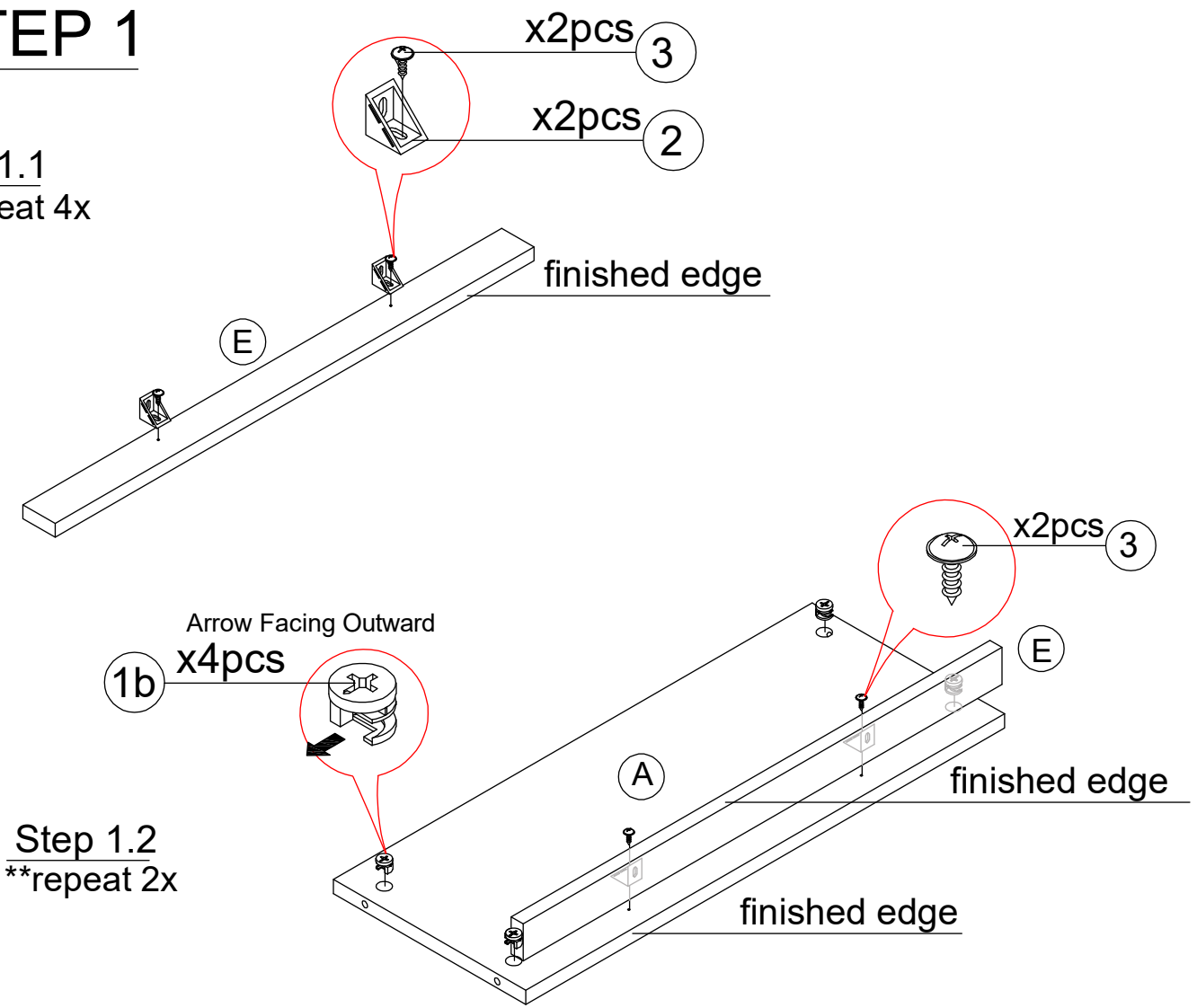


ASSEMBLY INSTRUCTIONS

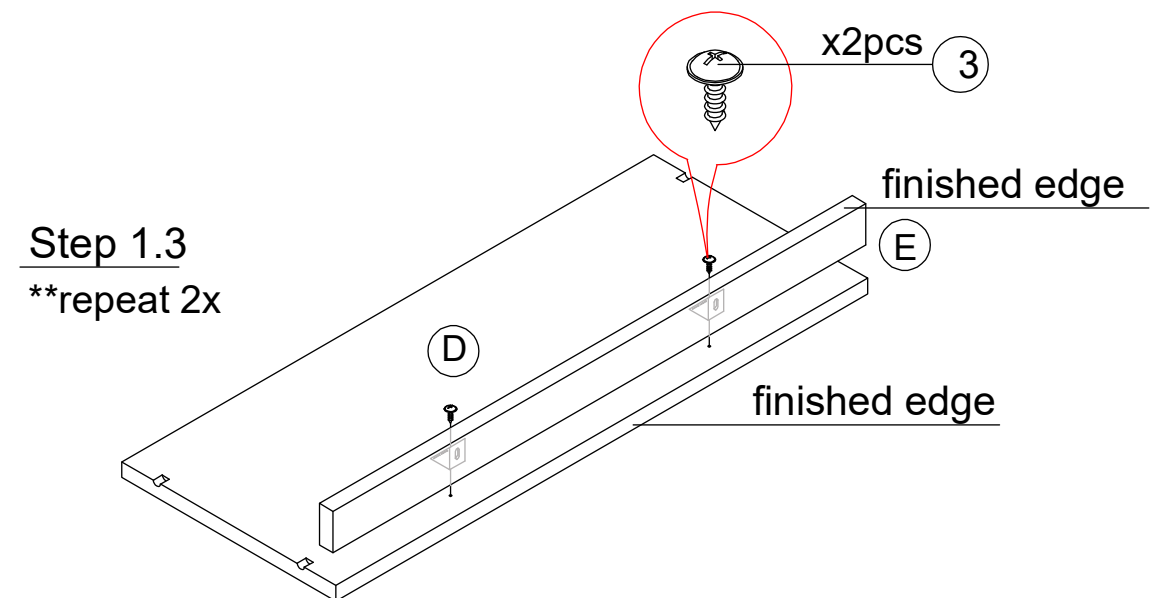
BEFORE YOU BEGIN, PLEASE READ ASSEMBLY INSTRUCTIONS CAREFULLY, FOLLOW THEM STEP BY STEP.

STEP 1

Step 1.1
**repeat 4x



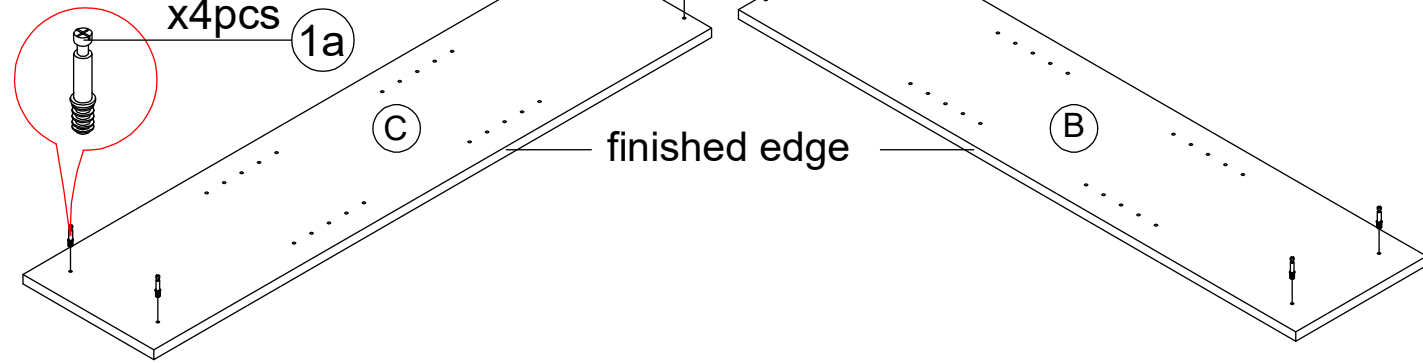
Step 1.3
**repeat 2x



STEP 2

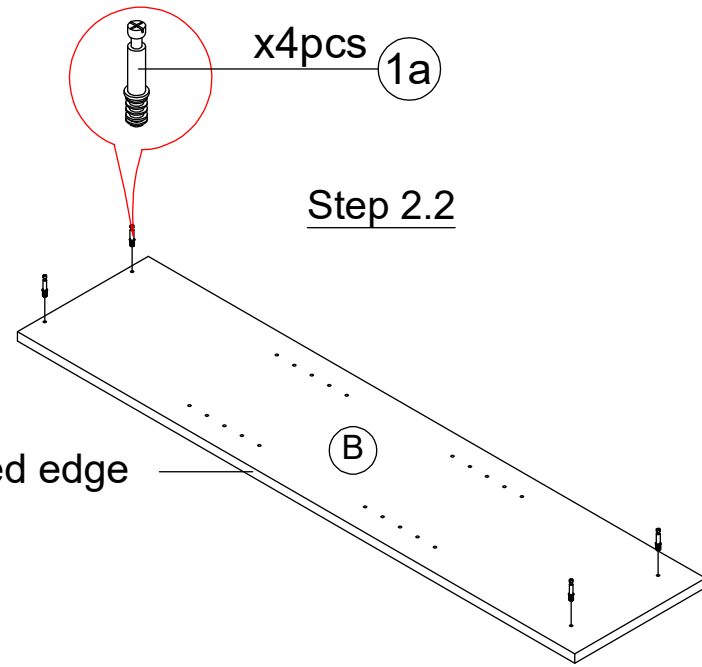
Step 2.1

x4pcs 1a



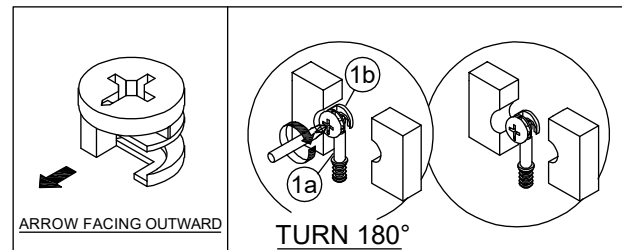
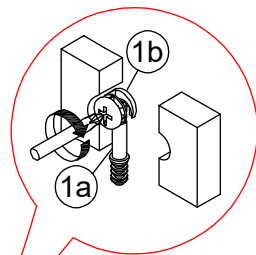
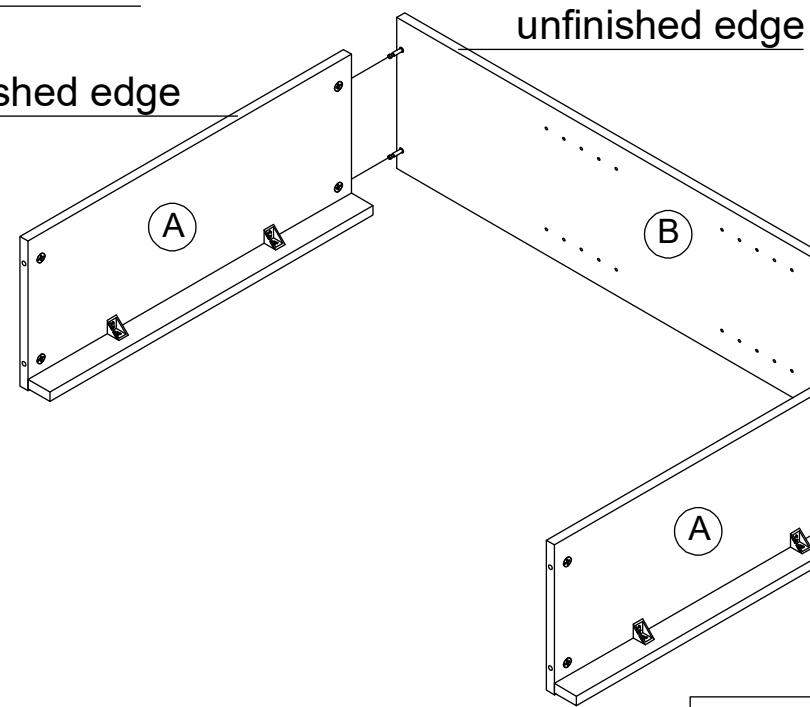
Step 2.2

x4pcs 1a



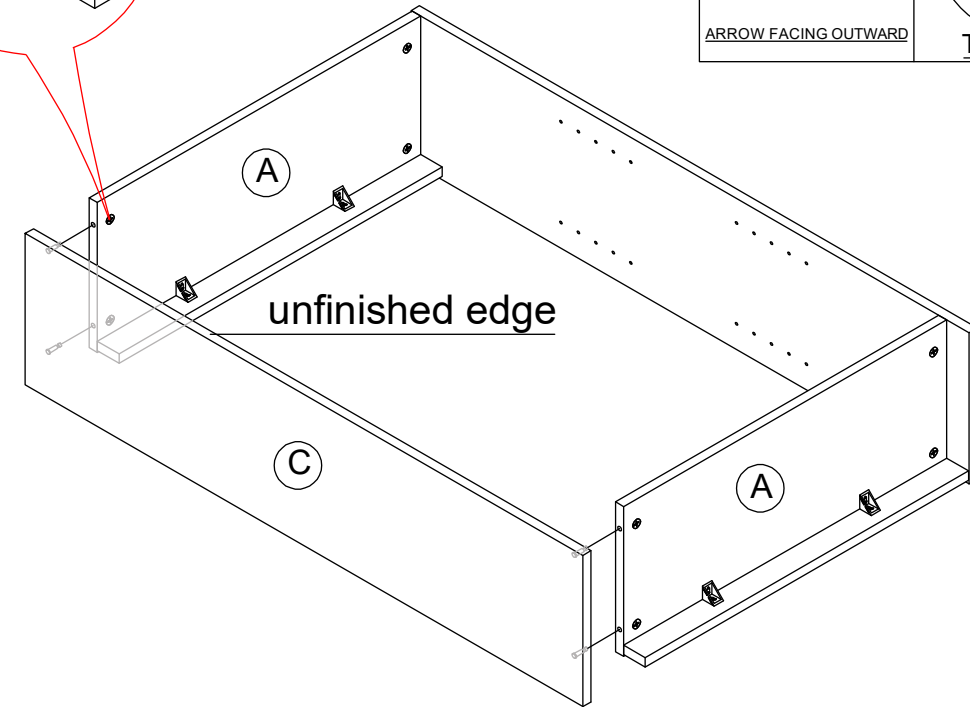
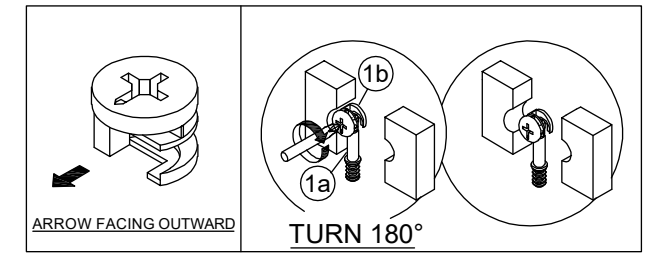
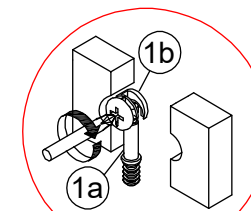
STEP 3

unfinished edge

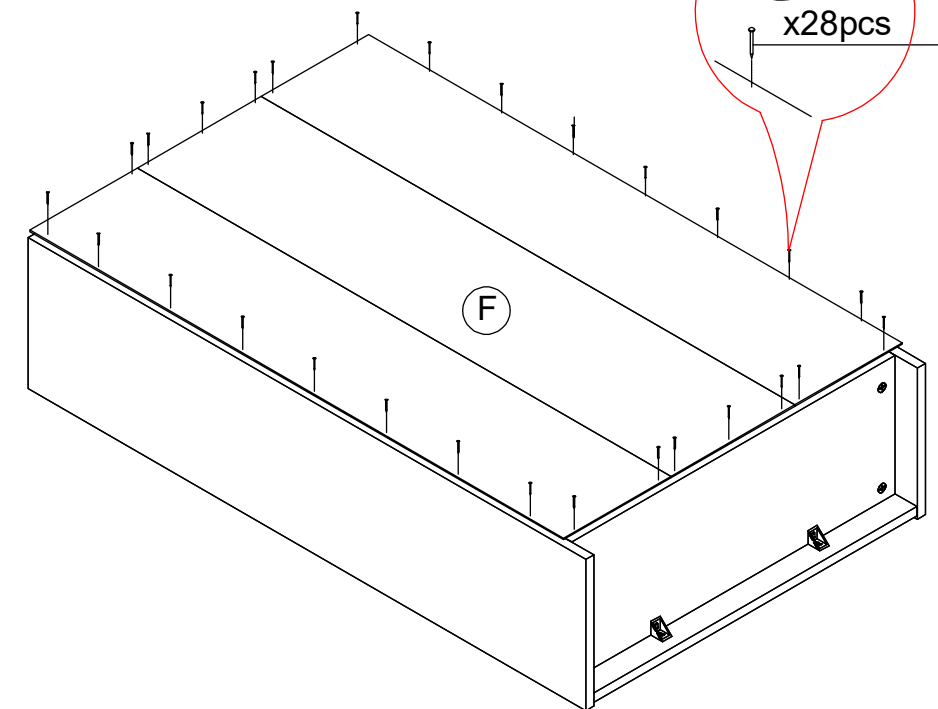
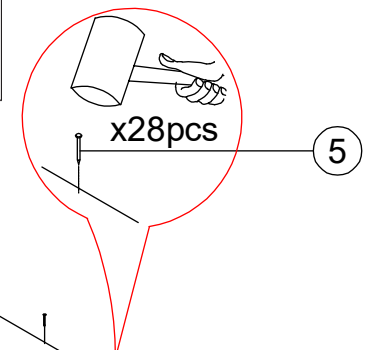


3

STEP 4



STEP 5



4