
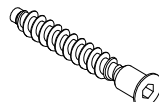
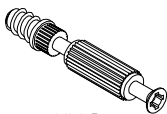

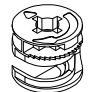
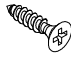



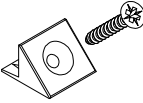
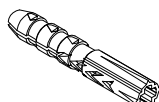
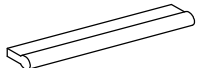

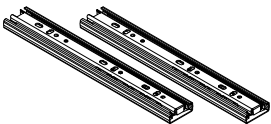
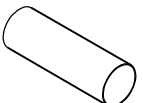
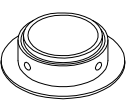
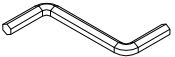
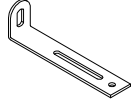
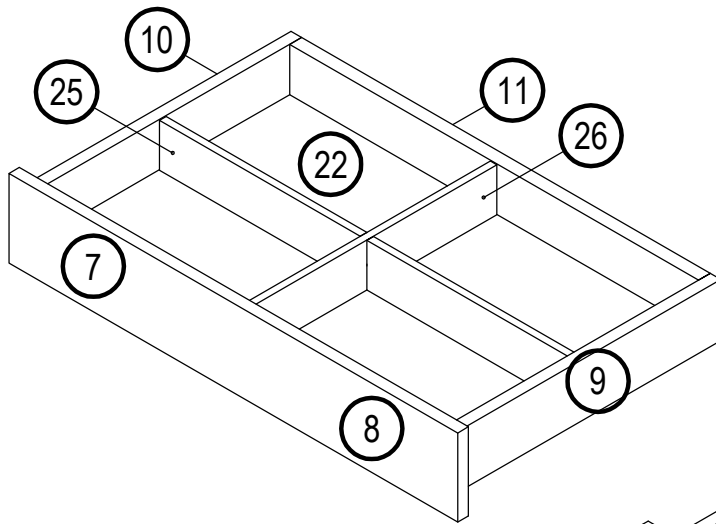
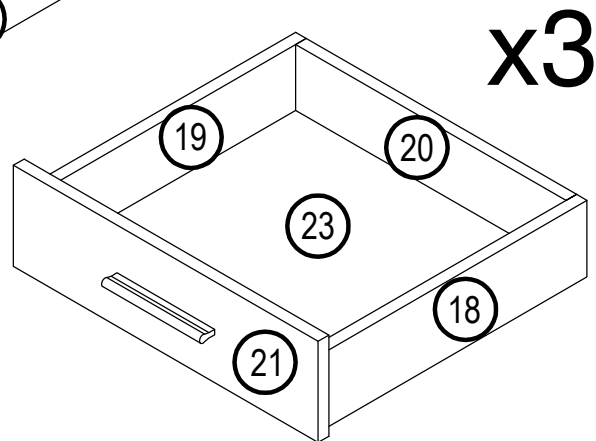
 A1 $\frac{8*30\text{mm}}{0.31*1.2\text{in}}$ x58	 B $\frac{\phi 12\text{mm}}{\phi 0.47\text{in}}$ x19	 B1 $\frac{6.3*50\text{mm}}{0.25*2.0\text{in}}$ x19
 C1 $\frac{6*43\text{mm}}{0.24*1.7\text{in}}$ x35	 D $\frac{\phi 20\text{mm}}{\phi 0.79\text{in}}$ x35	 D1 $\frac{15*11\text{mm}}{0.59*0.43\text{in}}$ x35
 E5 $\frac{3.5*16\text{mm}}{0.14*0.63\text{in}}$ x40	 E14 $\frac{4*25\text{mm}}{0.16*0.98\text{in}}$ x6	 2E $\frac{4.2*16\text{mm}}{0.17*0.63\text{in}}$ x6
 4E $\frac{4.2*51\text{mm}}{0.17*2.01\text{in}}$ x1	 H2 x18	 H5 $\frac{8*50\text{mm}}{0.31*2.0\text{in}}$ x1
 I9 $\frac{148\text{mm}}{5.9\text{in}}$ x3	 K1 $\frac{14*23\text{mm}}{0.55*0.91\text{in}}$ x7	 M2 $\frac{400\text{mm}}{15.75\text{in}}$ x5
 P2 $\frac{50*158\text{mm}}{1.97*6.22\text{in}}$ x1	 P9 $\frac{\phi 50\text{mm}}{\phi 1.97\text{in}}$ x2	 R4 N°4 x1
 S16 $\frac{77*21*15}{3.0*0.8*0.6\text{in}}$ x1		

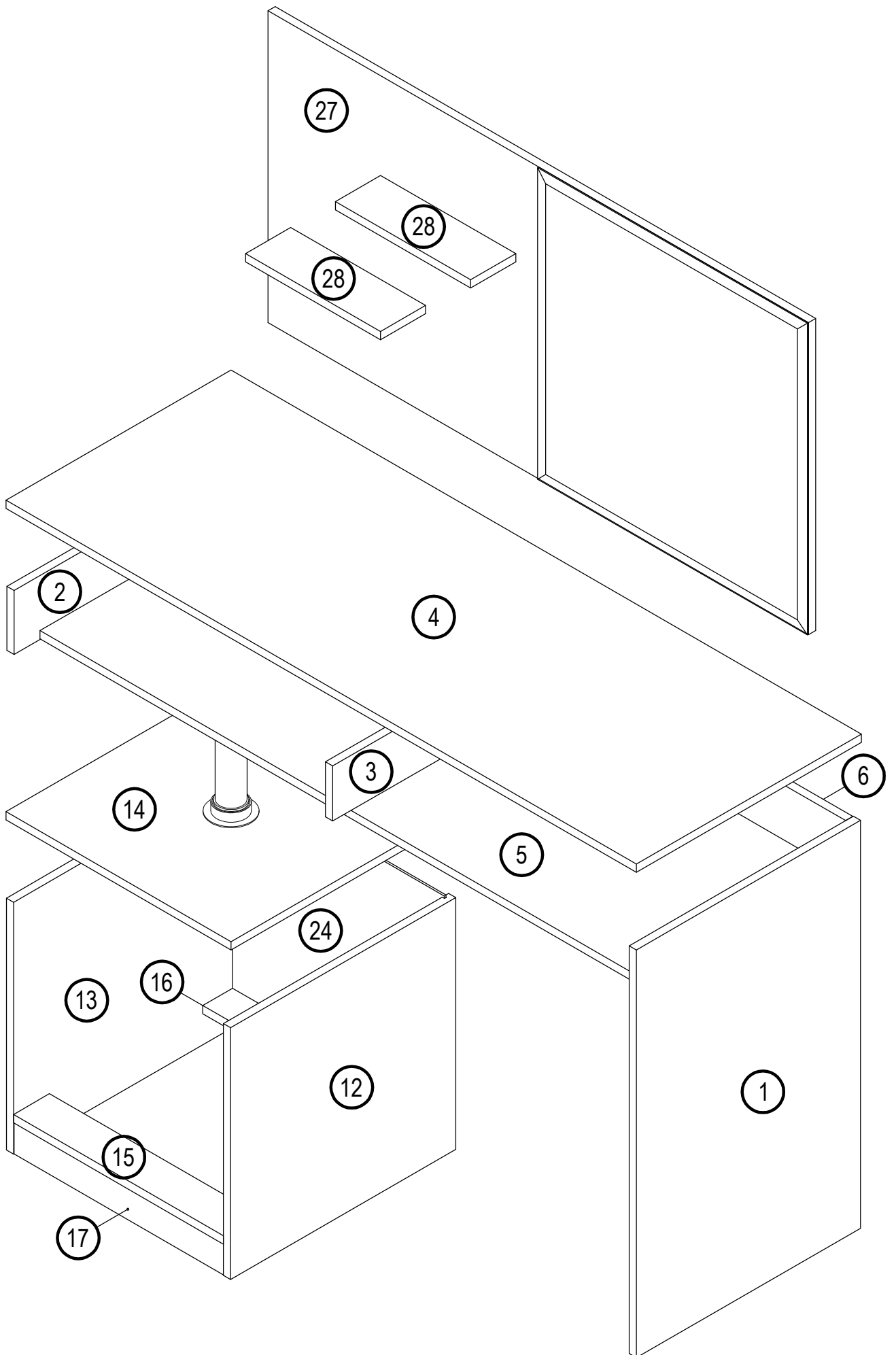
N°	a*b	x	N°	a*b	x	N°	a*b	x
1	$\frac{784*498}{30.9*19.6in}$	1	11	$\frac{617*80}{24.3*3.1in}$	2	21	$\frac{460*132}{18.1*5.2in}$	3
2	$\frac{123*498}{4.8*19.6in}$	1	12	$\frac{484*500}{19.1*19.7in}$	1	22	$\frac{393*626}{15.5*24.6in}$	2
3	$\frac{106*464}{4.2*18.3in}$	1	13	$\frac{484*500}{19.1*19.7in}$	1	23	$\frac{393*417}{15.5*16.4in}$	3
4	$\frac{1400*500}{55.1*19.7in}$	1	14	$\frac{500*500}{19.7*19.7in}$	1	24	$\frac{475*417}{18.7*16.4in}$	1
5	$\frac{1366*440}{53.8*17.3in}$	1	15	$\frac{466*80}{18.3*3.1in}$	1	25	$\frac{616*65}{24.3*2.4in}$	2
6	$\frac{1366*106}{53.8*4.2in}$	1	16	$\frac{466*80}{18.3*3.1in}$	1	26	$\frac{383*65}{15.1*2.4in}$	2
7	$\frac{678*117}{26.7*4.6in}$	1	17	$\frac{466*60}{18.3*2.4in}$	1	27	$\frac{1200*600}{47.2*23.6in}$	1
8	$\frac{678*117}{26.7*4.6in}$	1	18	$\frac{400*100}{15.7*3.9in}$	3	28	$\frac{300*100}{11.8*3.9in}$	2
9	$\frac{400*80}{15.7*3.1in}$	2	19	$\frac{400*100}{15.7*3.9in}$	3			
10	$\frac{400*80}{15.7*3.1in}$	2	20	$\frac{408*100}{16.1*3.9in}$	3			



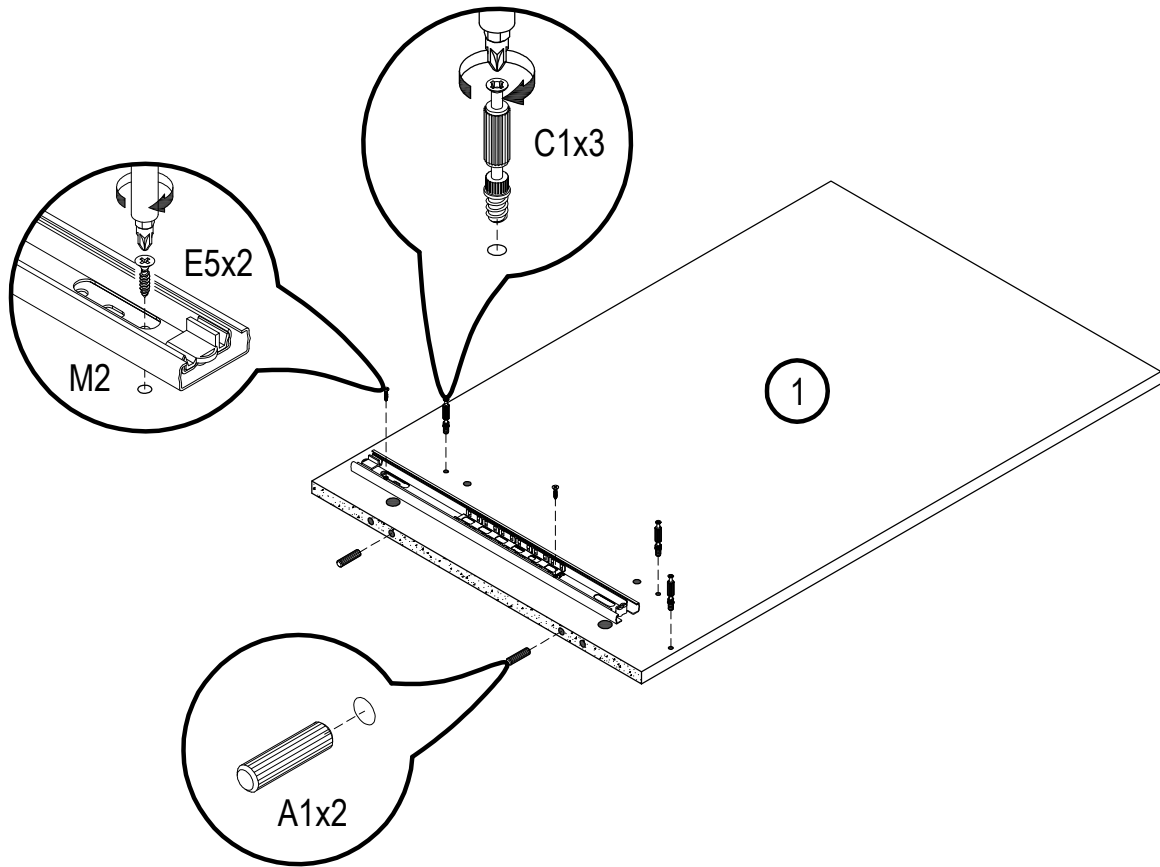
x2



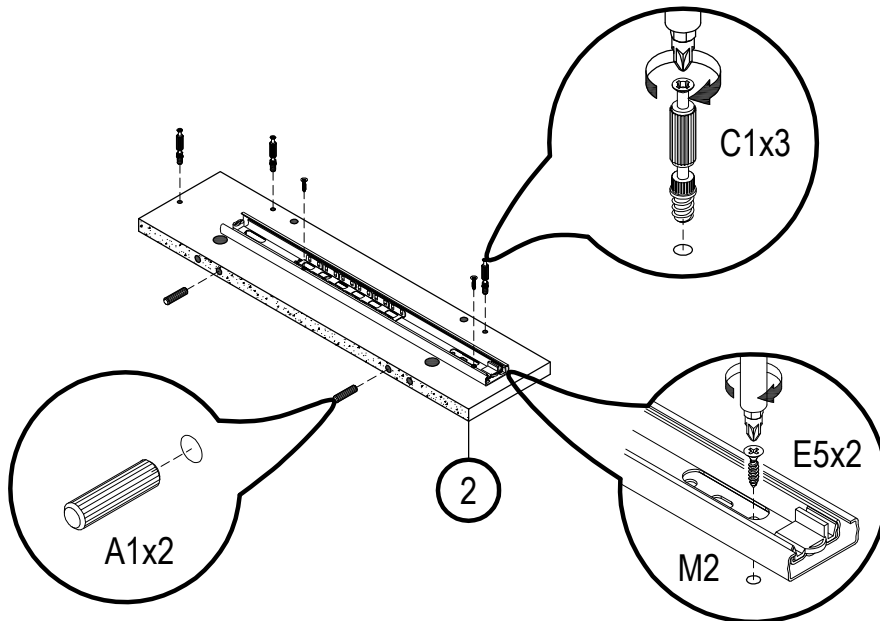
x3



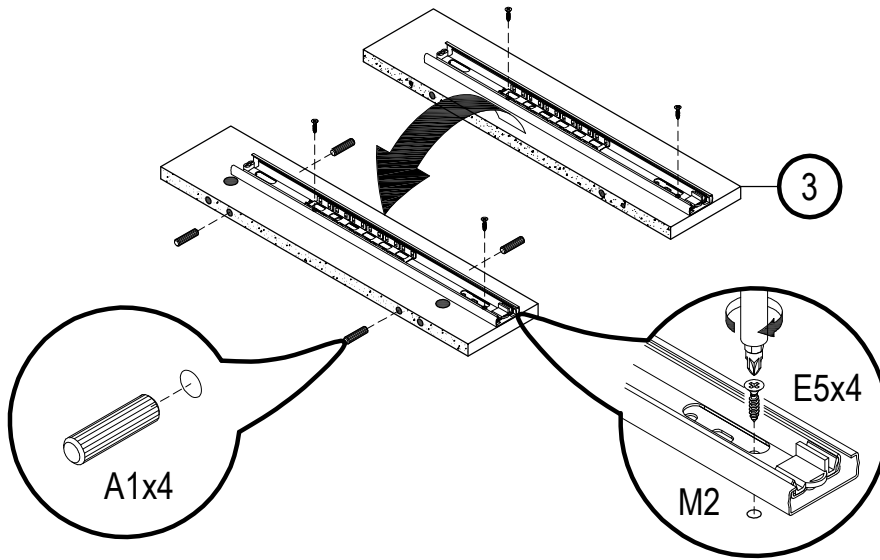
1



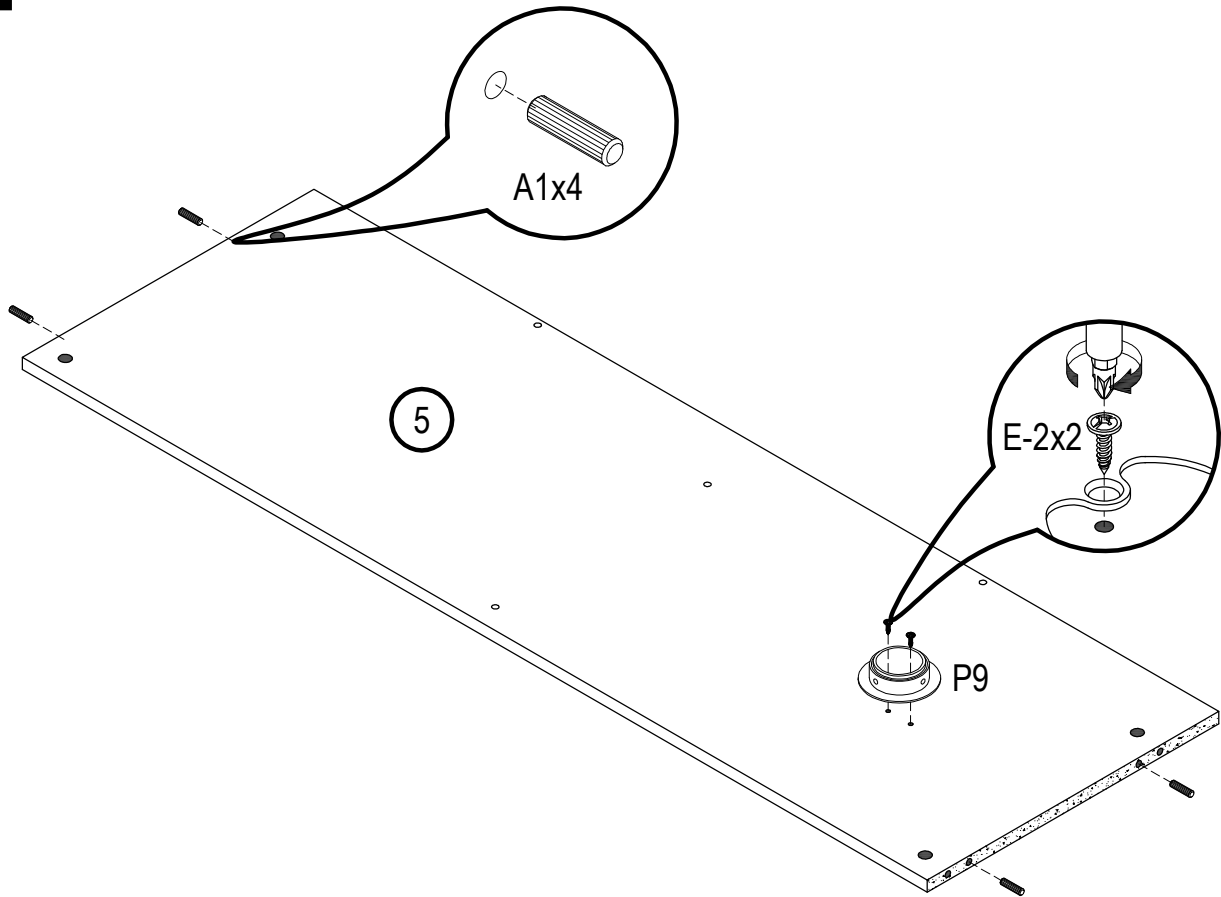
2



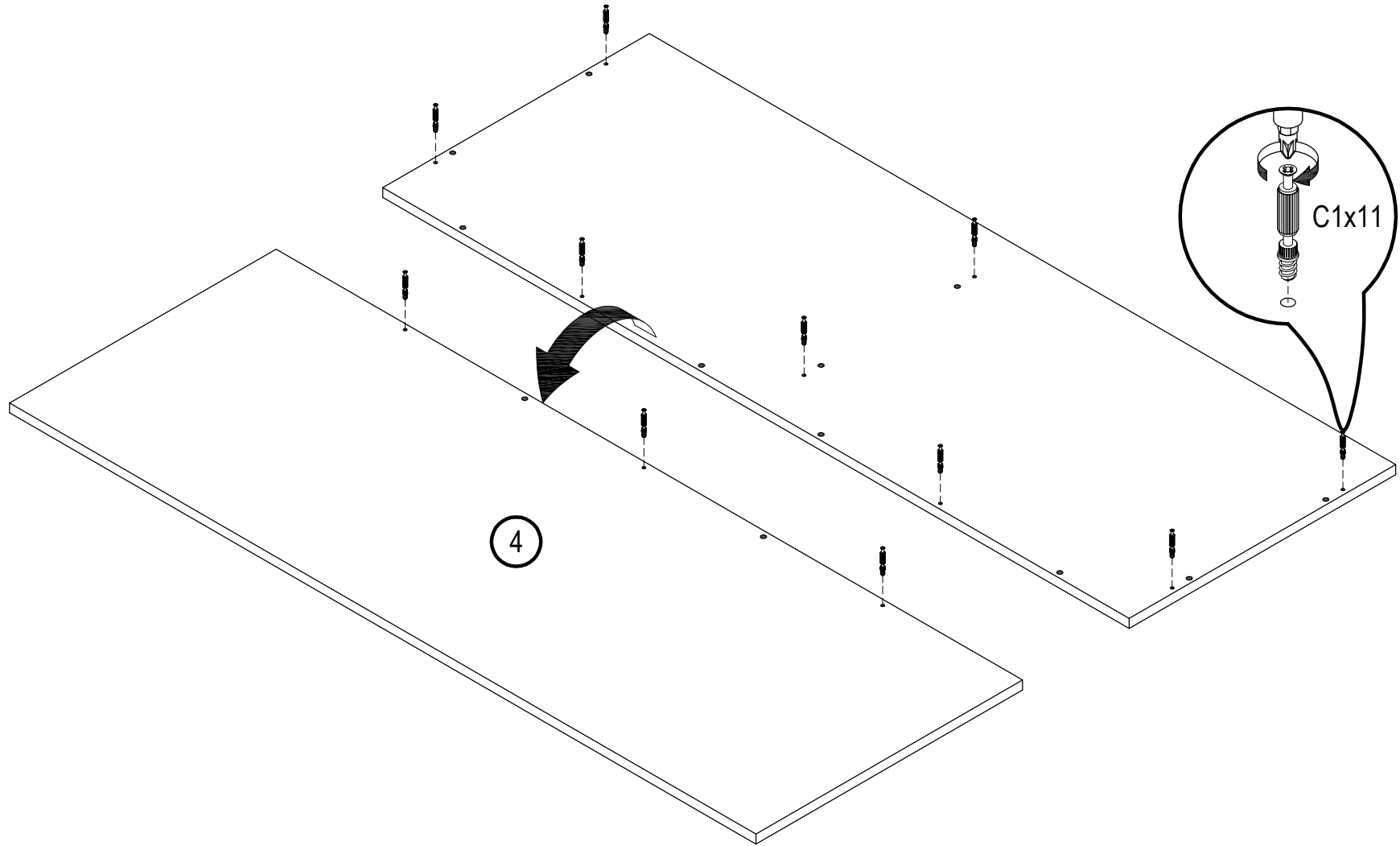
3



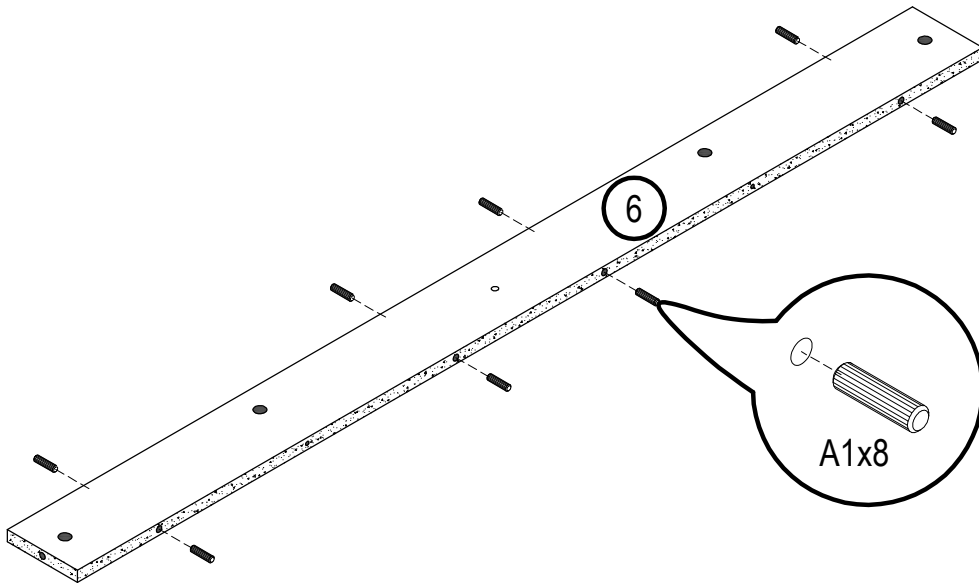
4



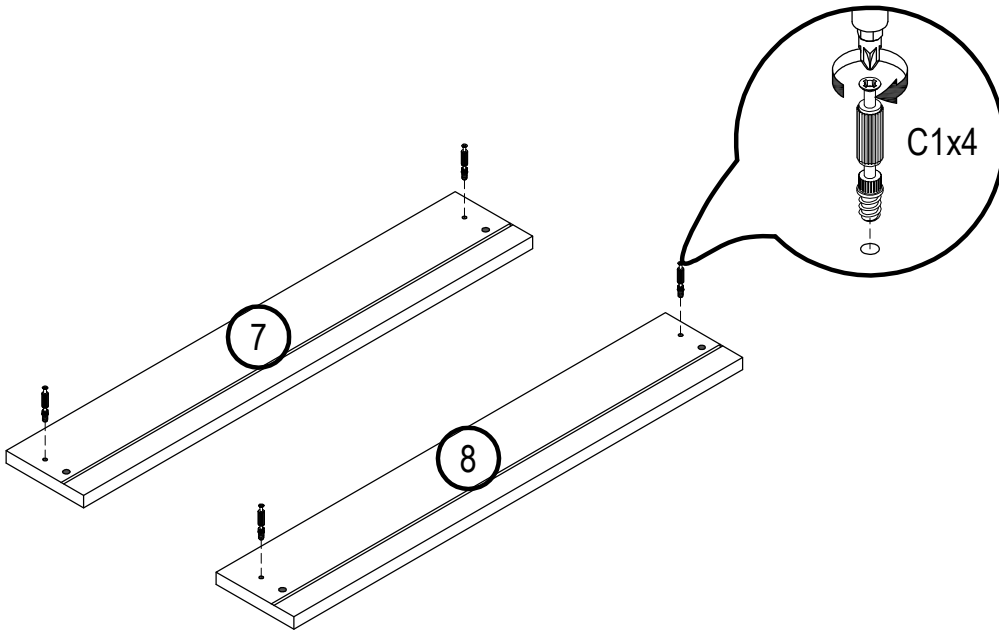
5



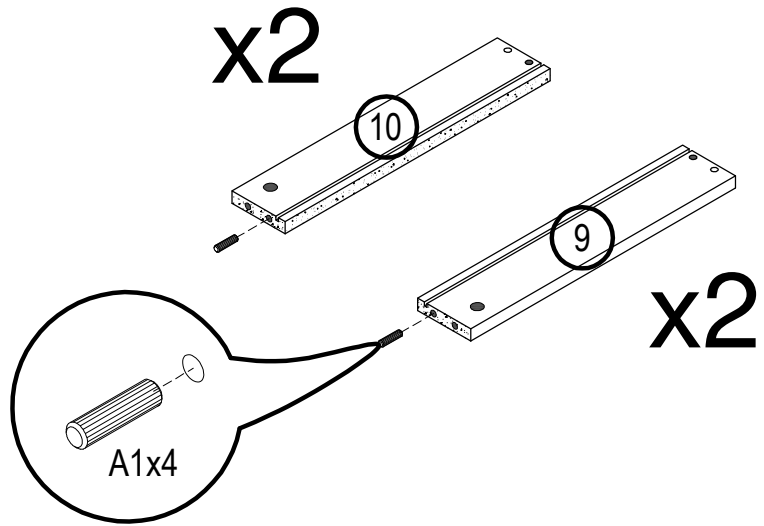
6



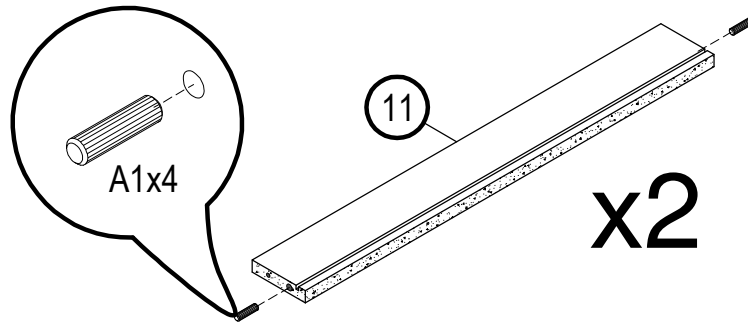
7



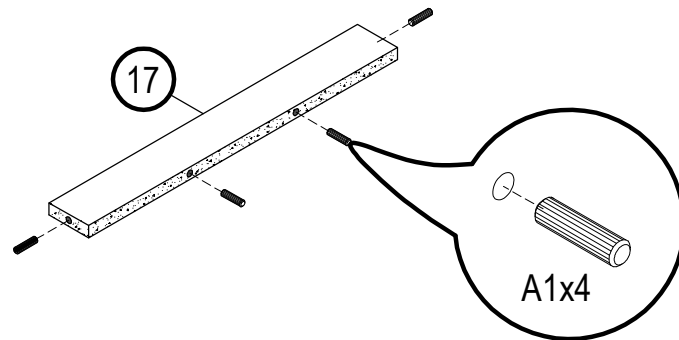
8



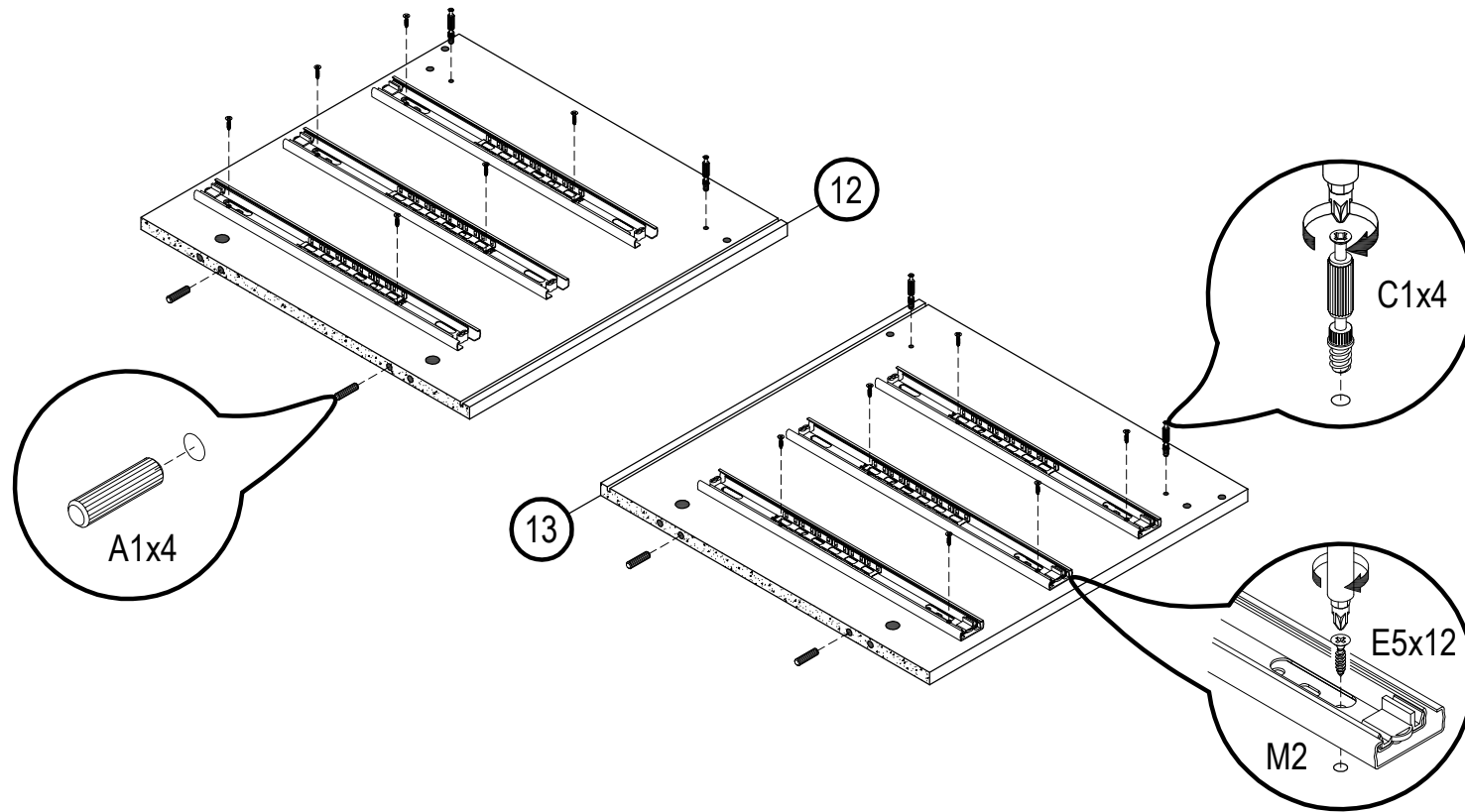
9



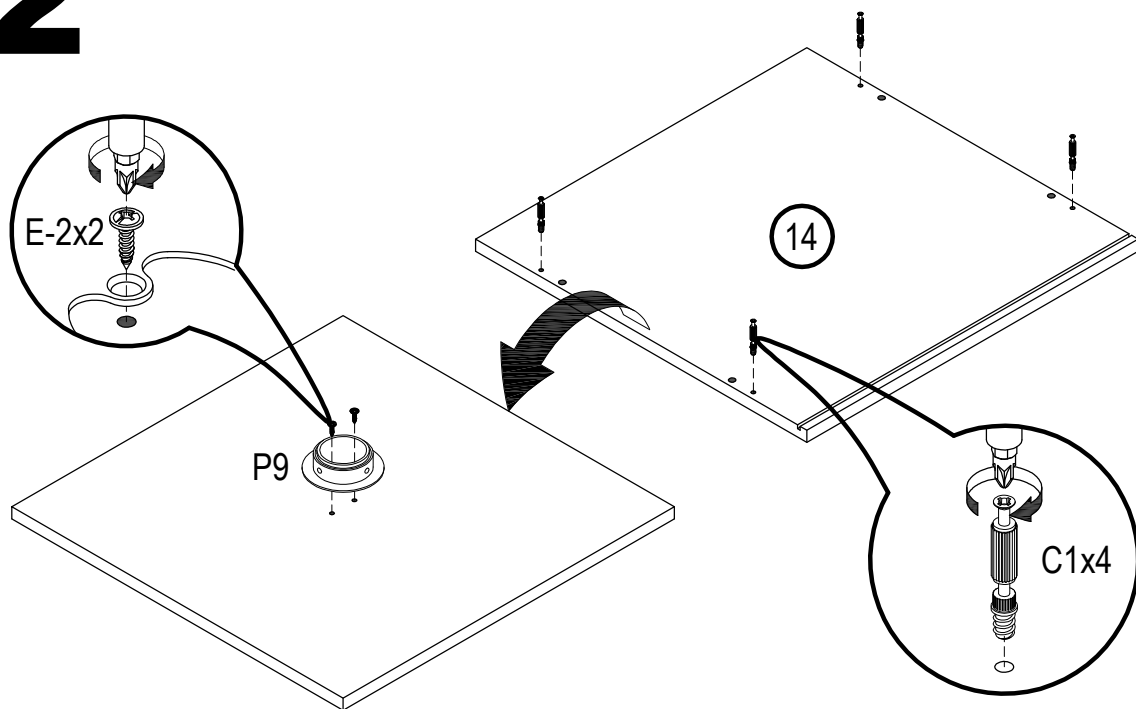
10



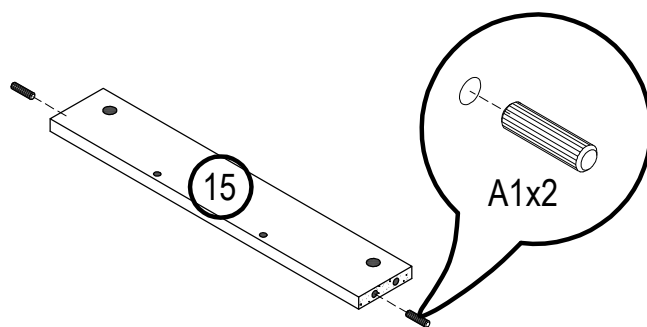
11



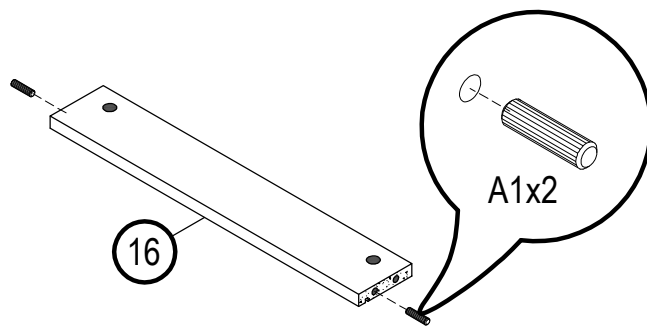
12



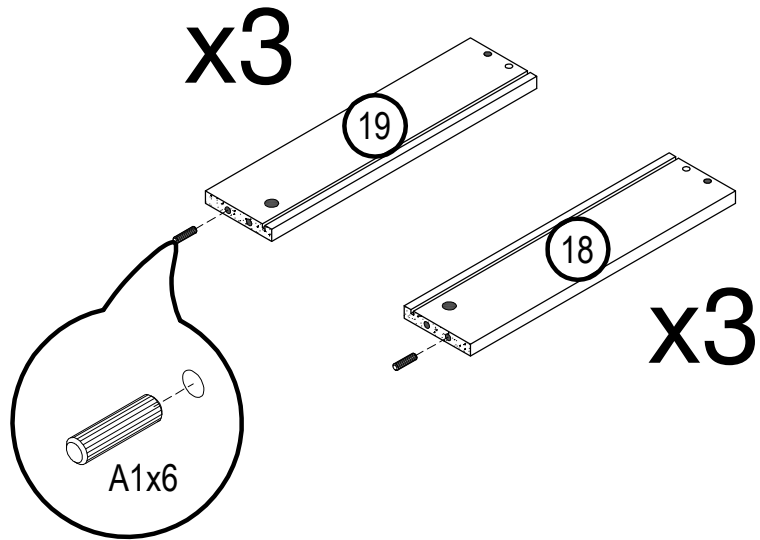
13



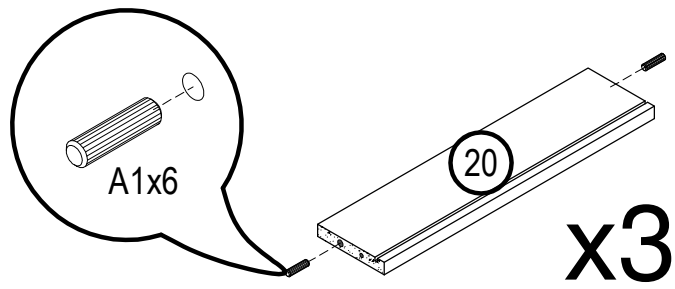
14



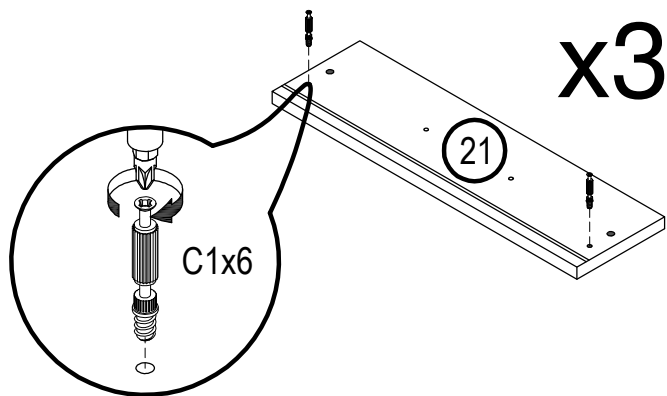
15



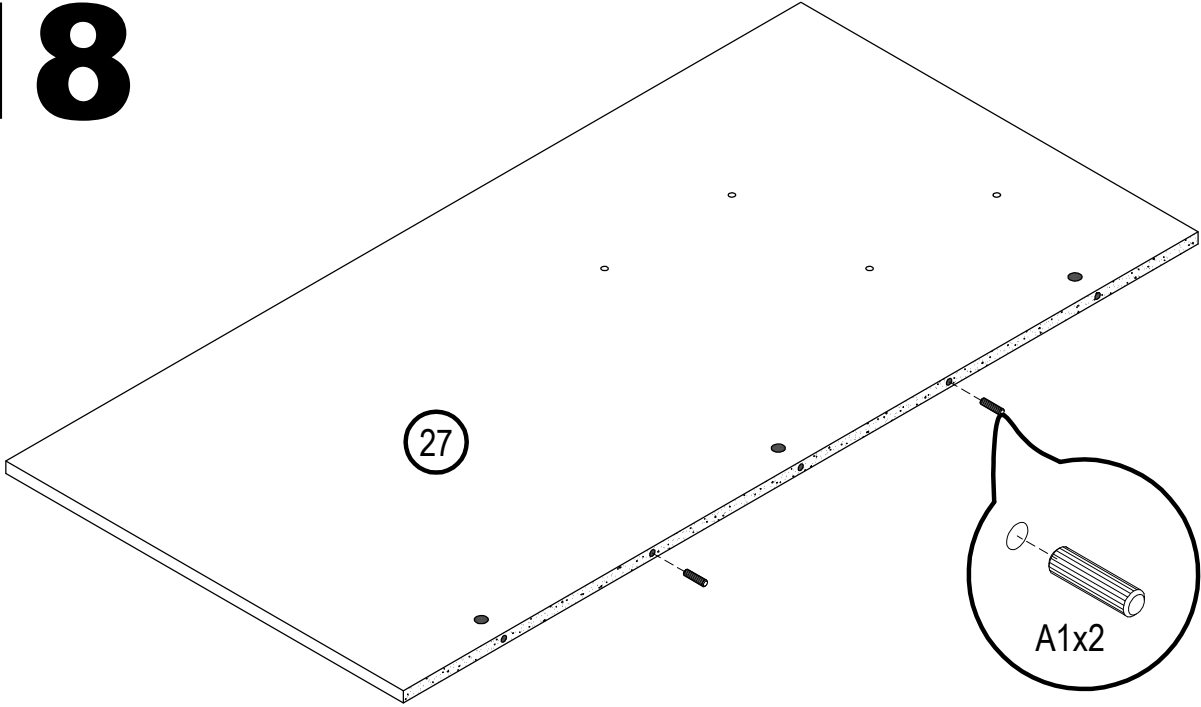
16



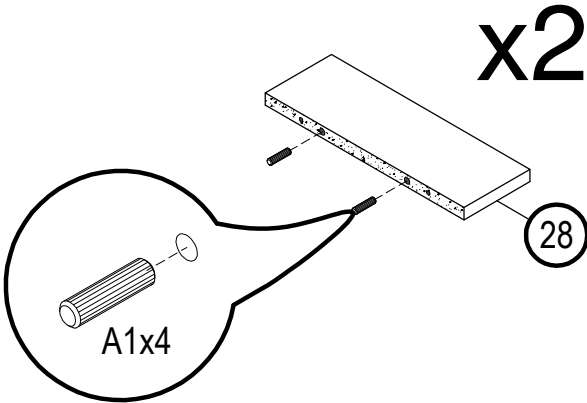
17



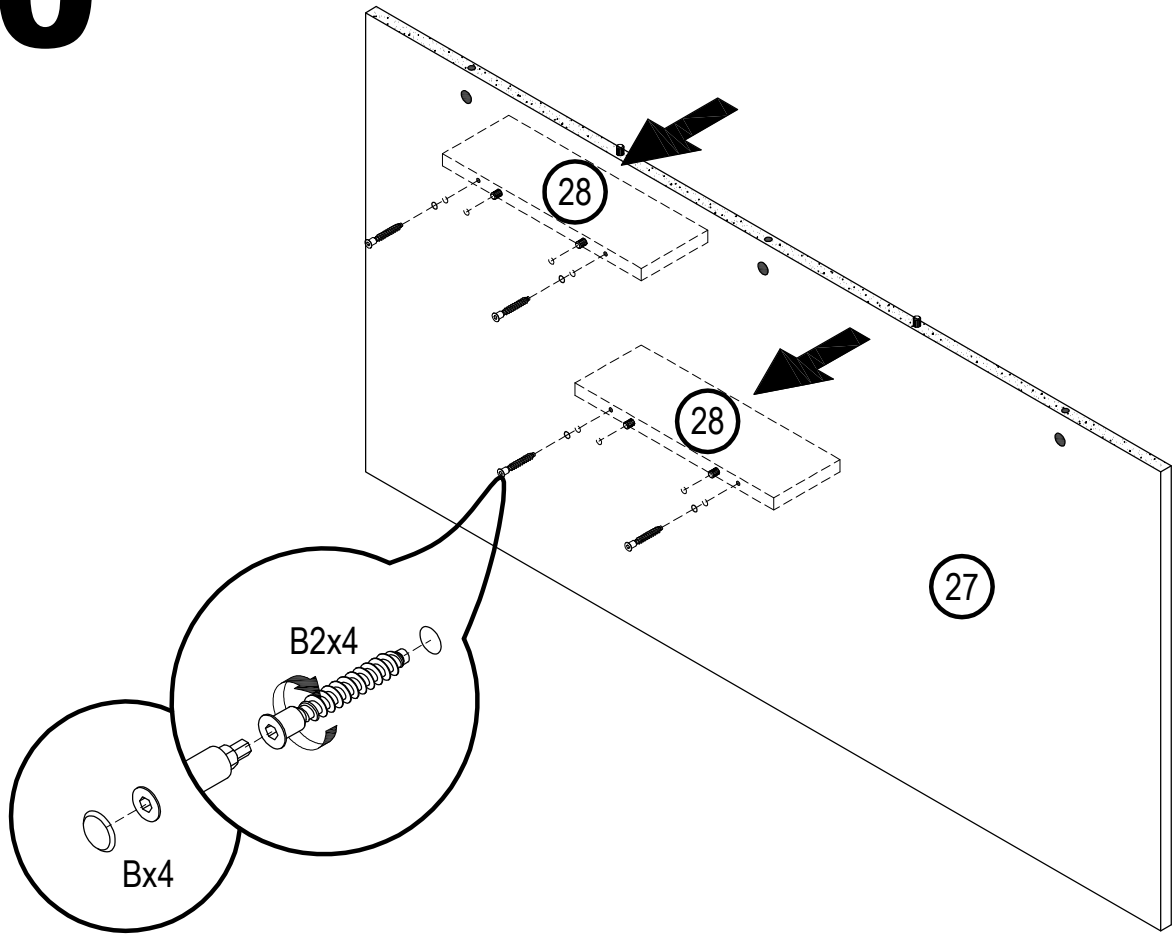
18



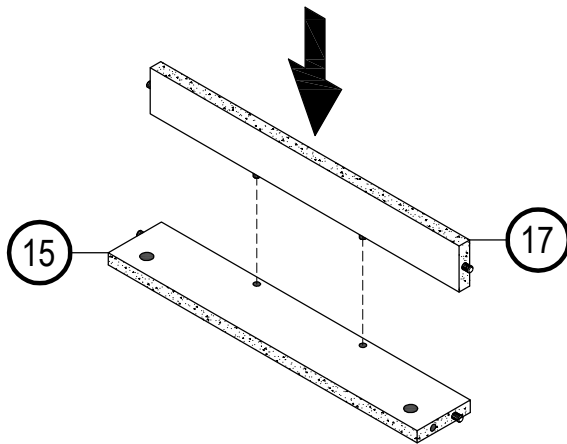
19



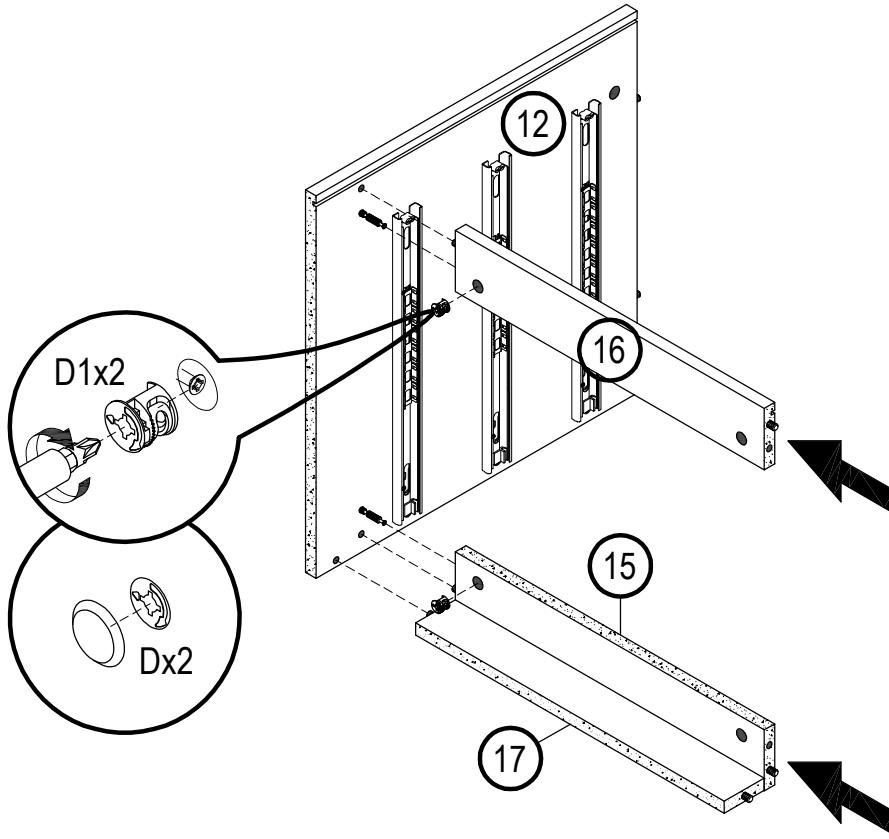
20



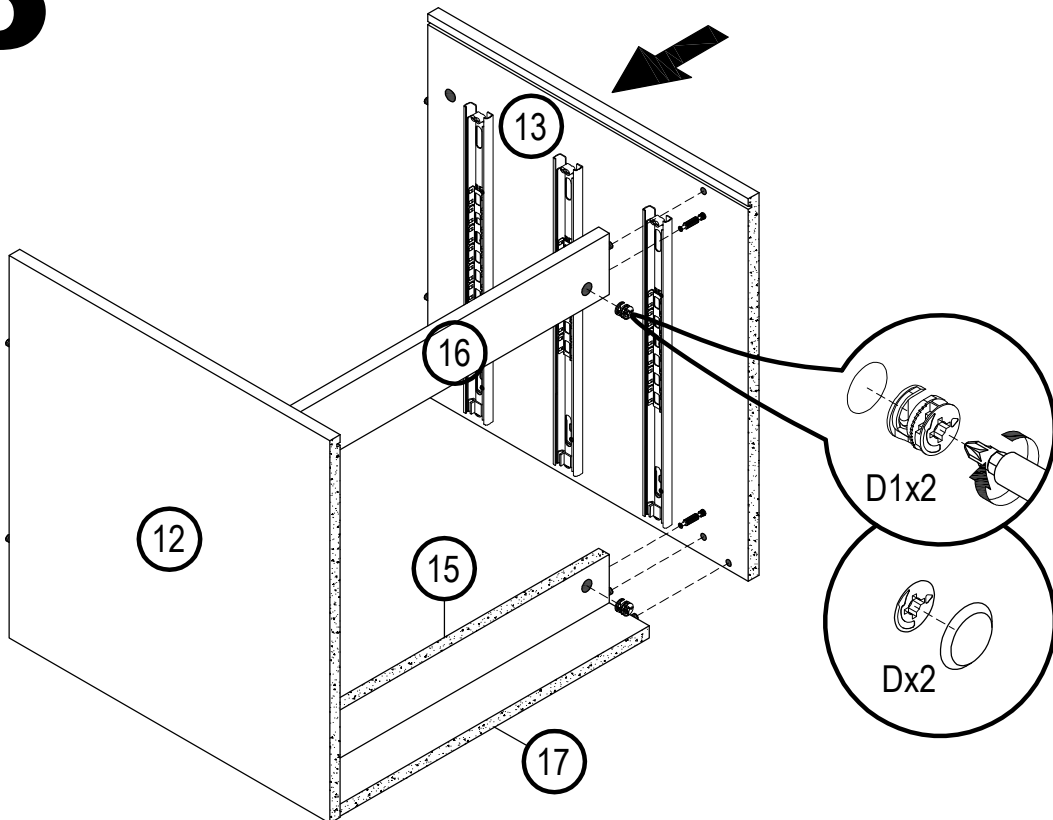
21



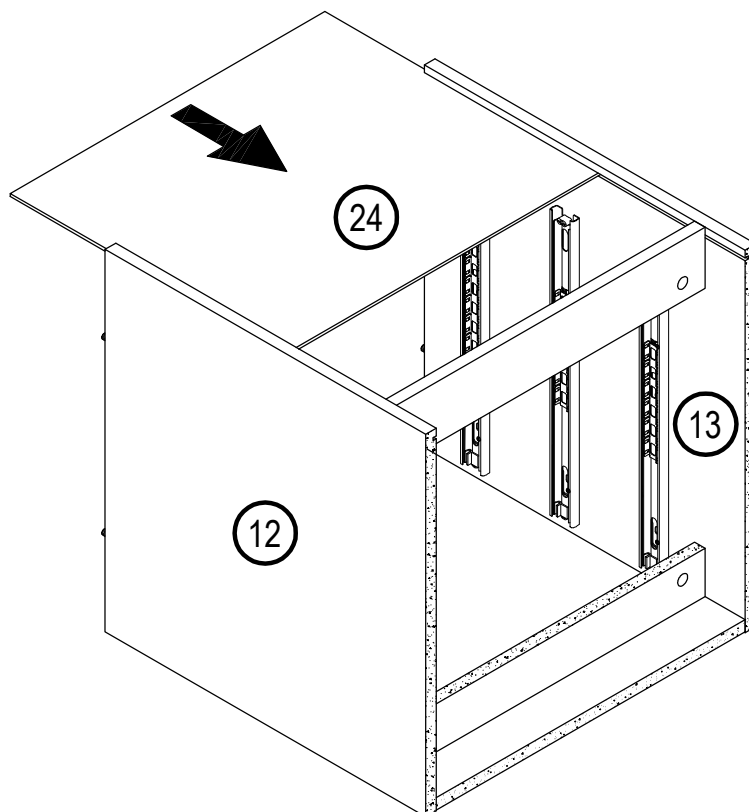
22



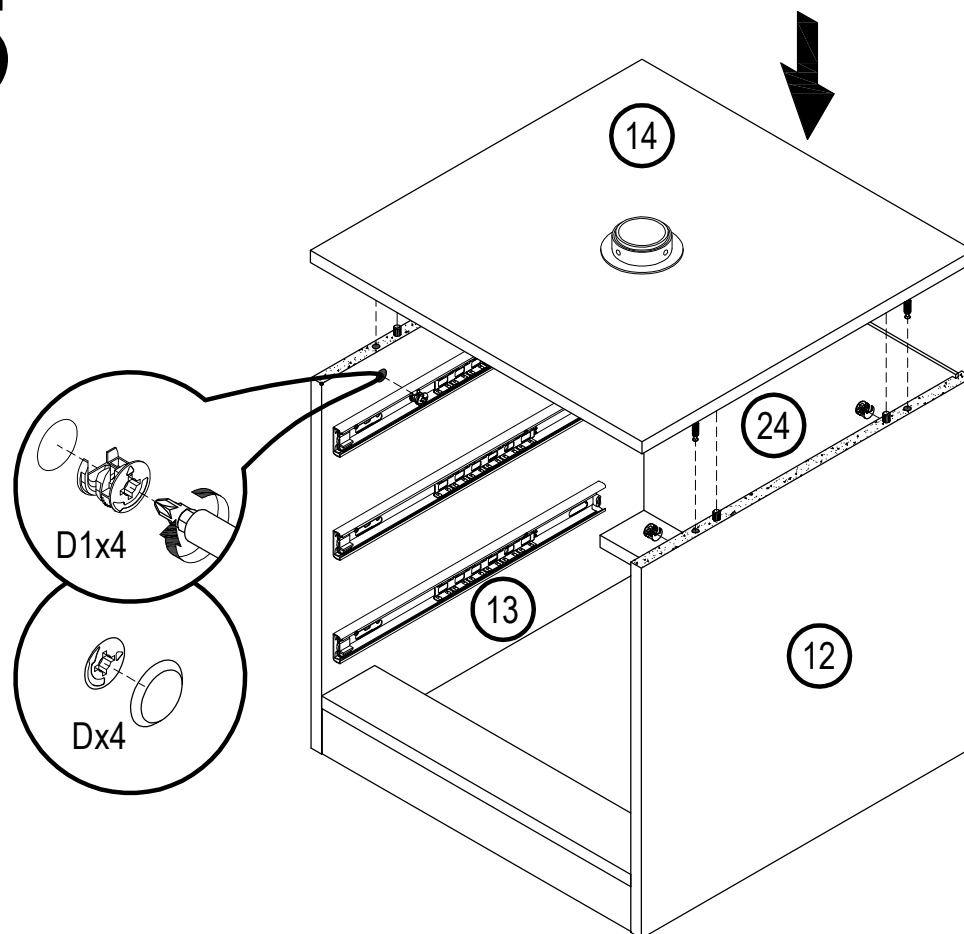
23



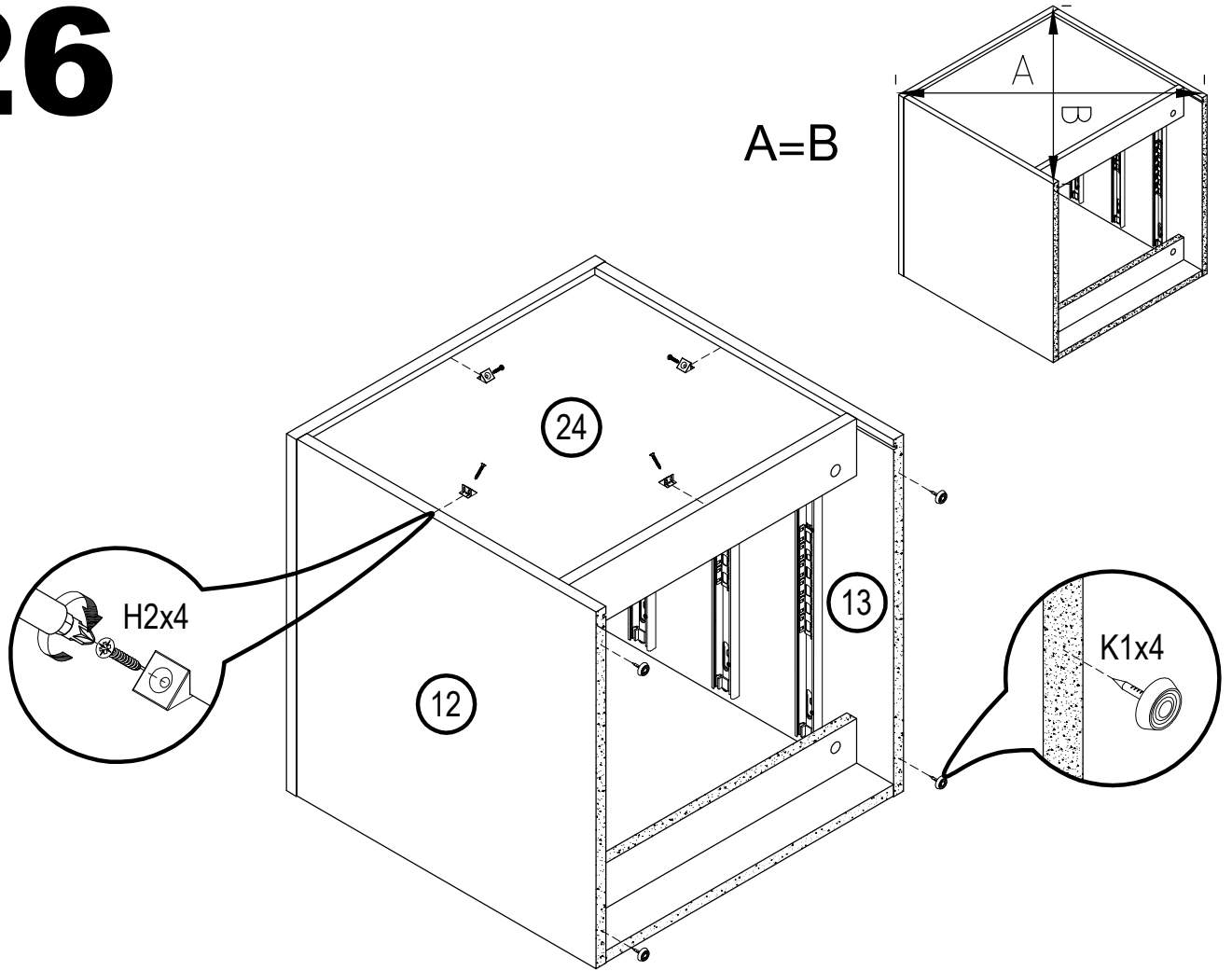
24



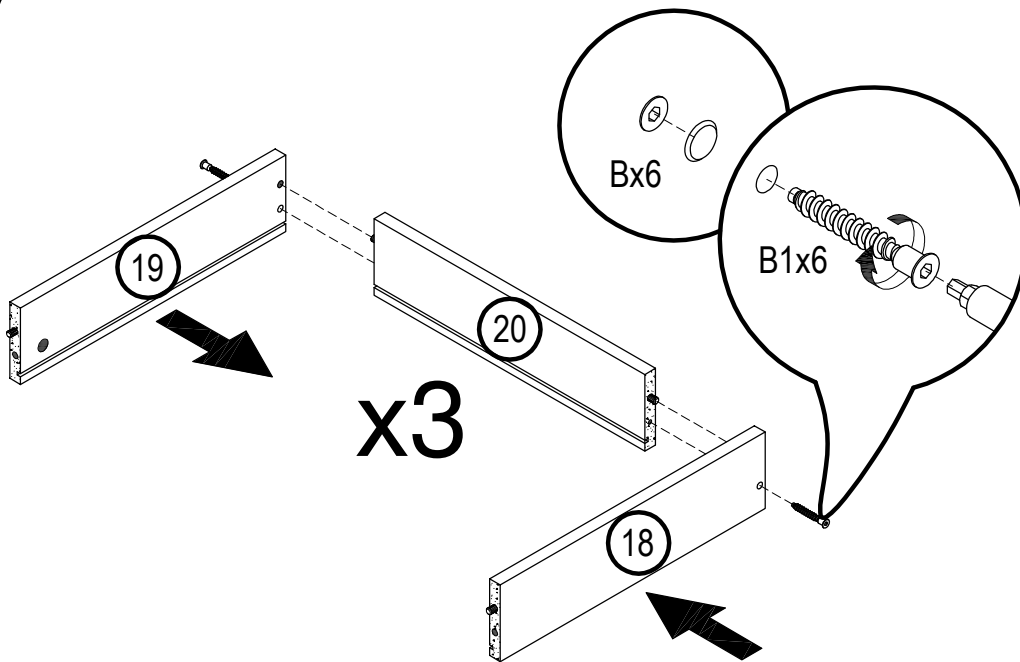
25



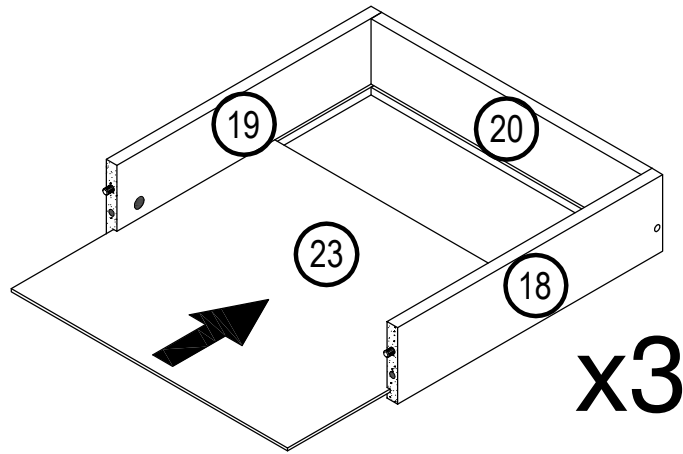
26



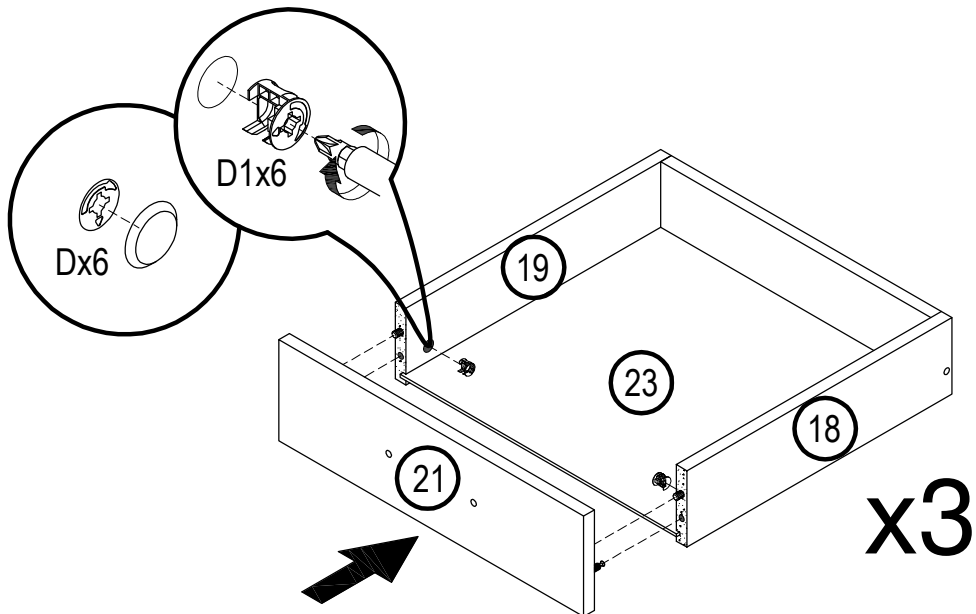
27



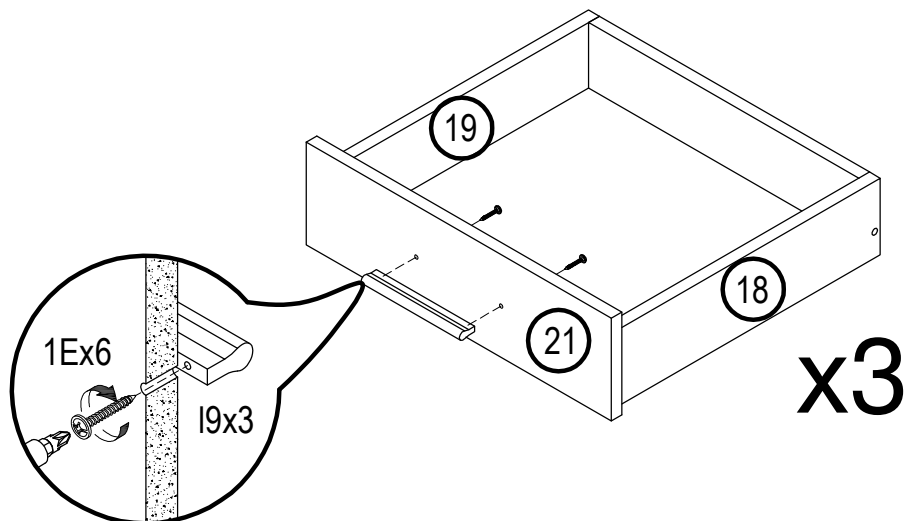
28



29

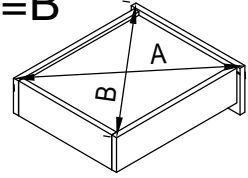


30

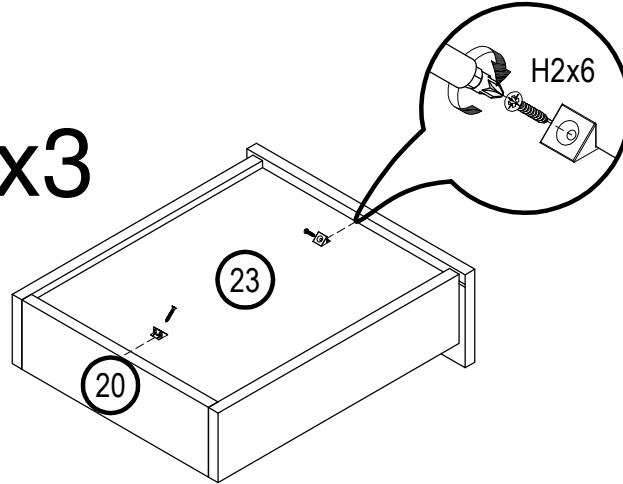


31

A=B

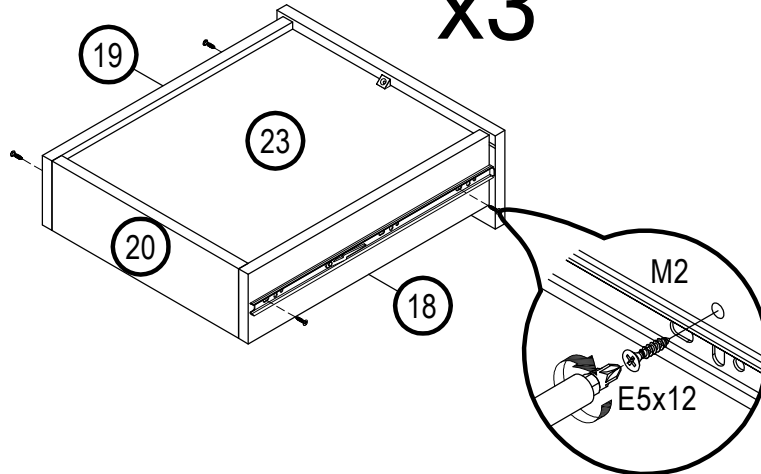


x3

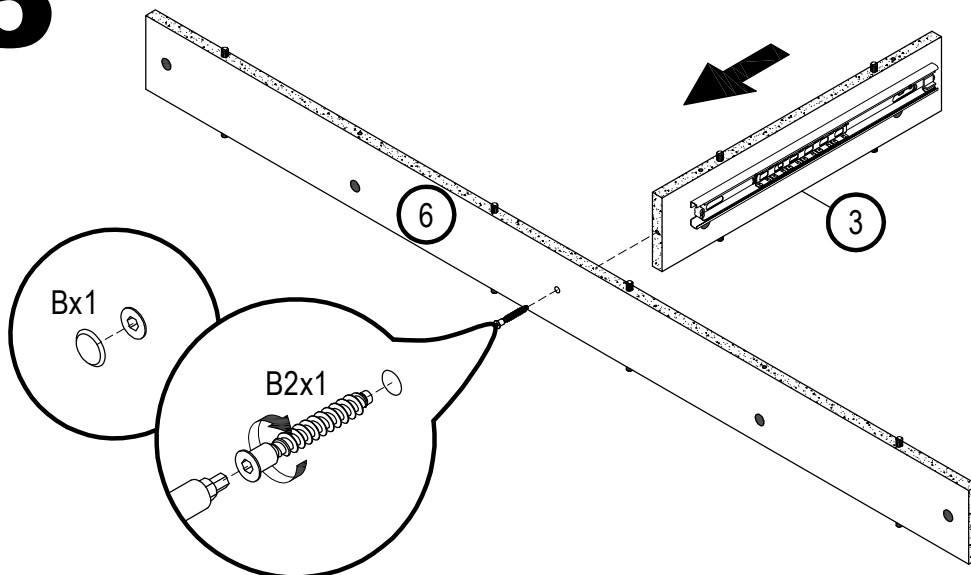


32

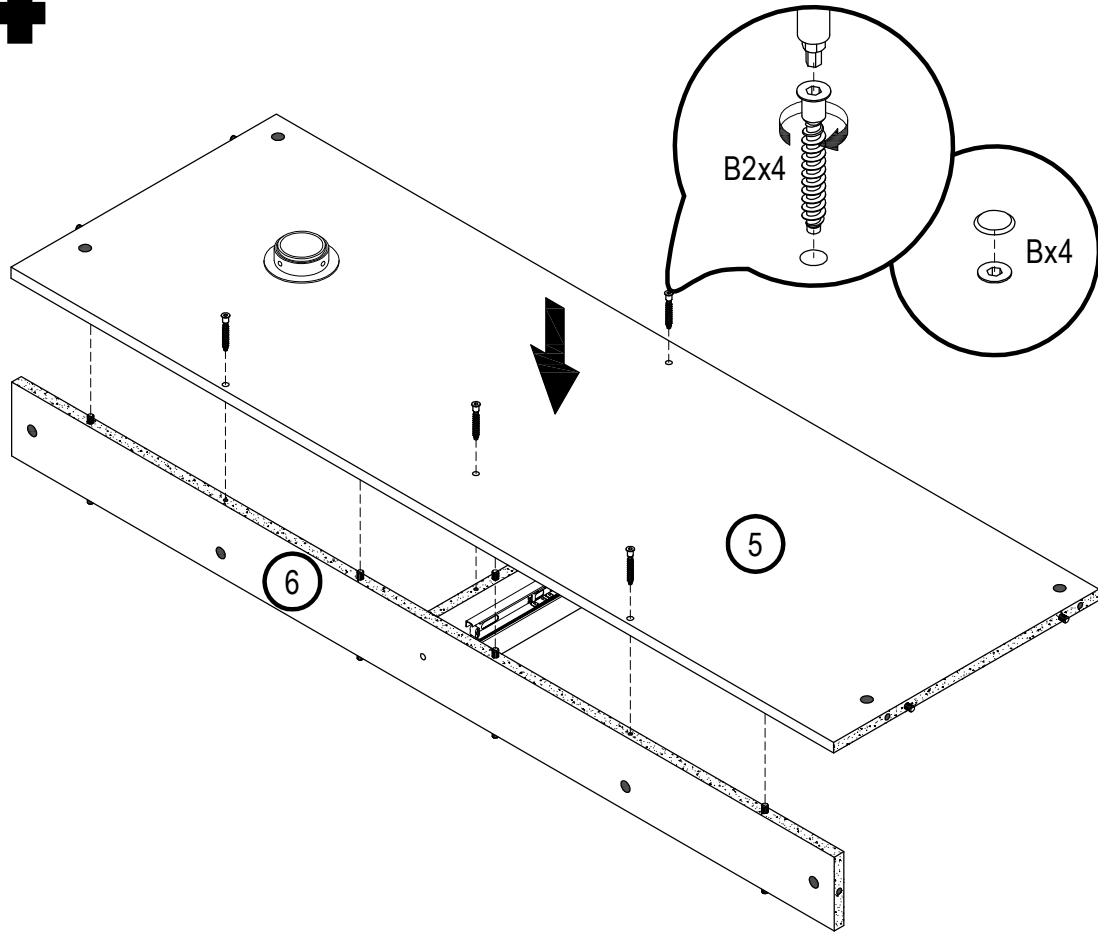
x3



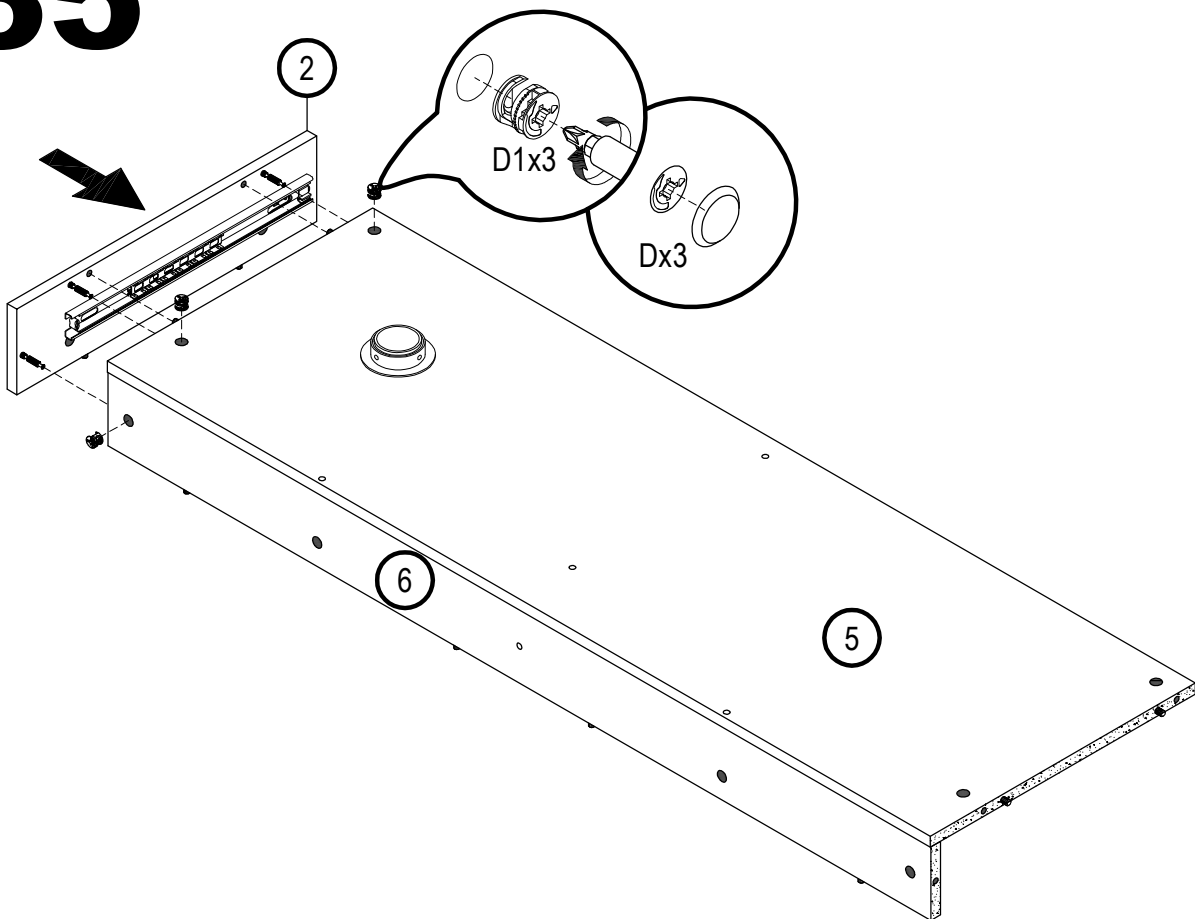
33



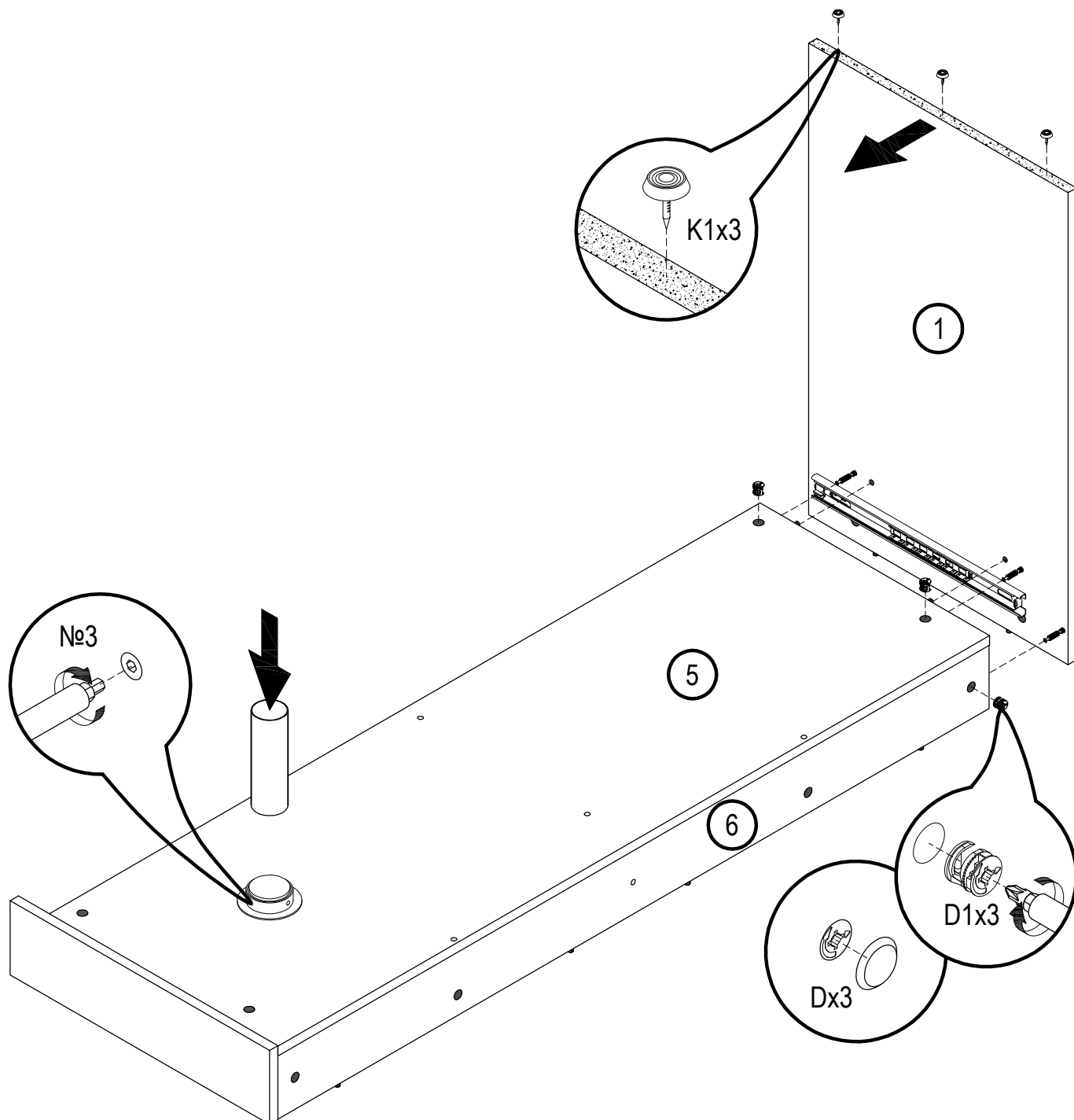
34



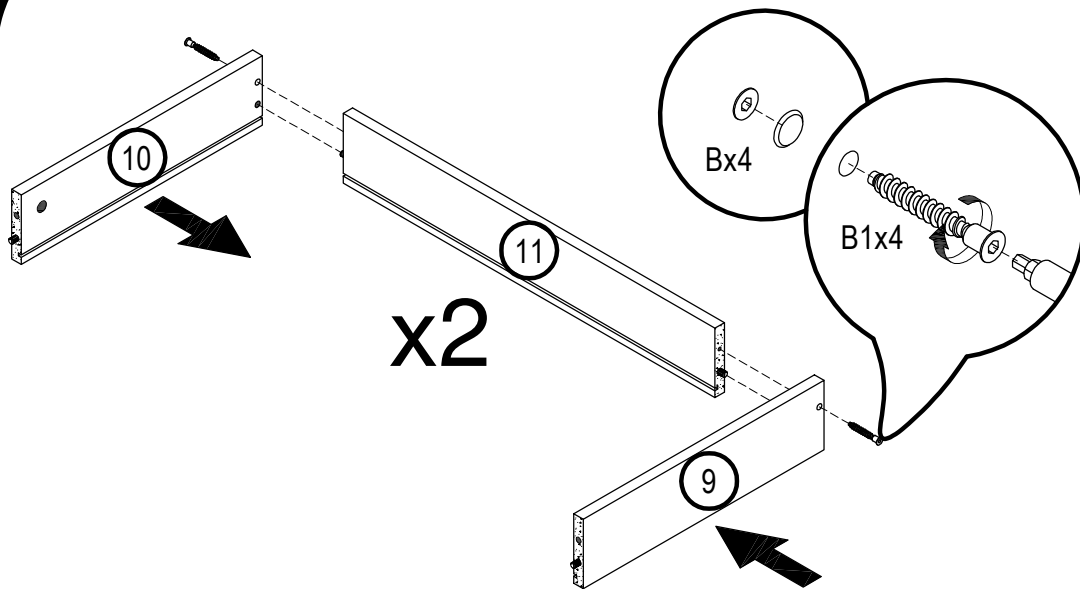
35



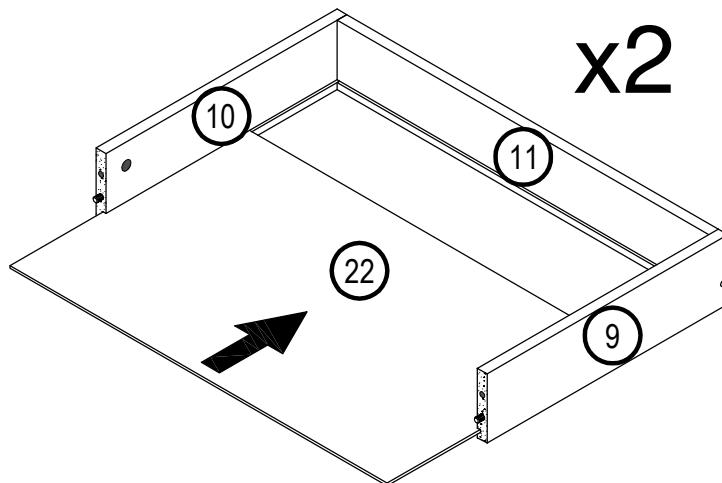
36



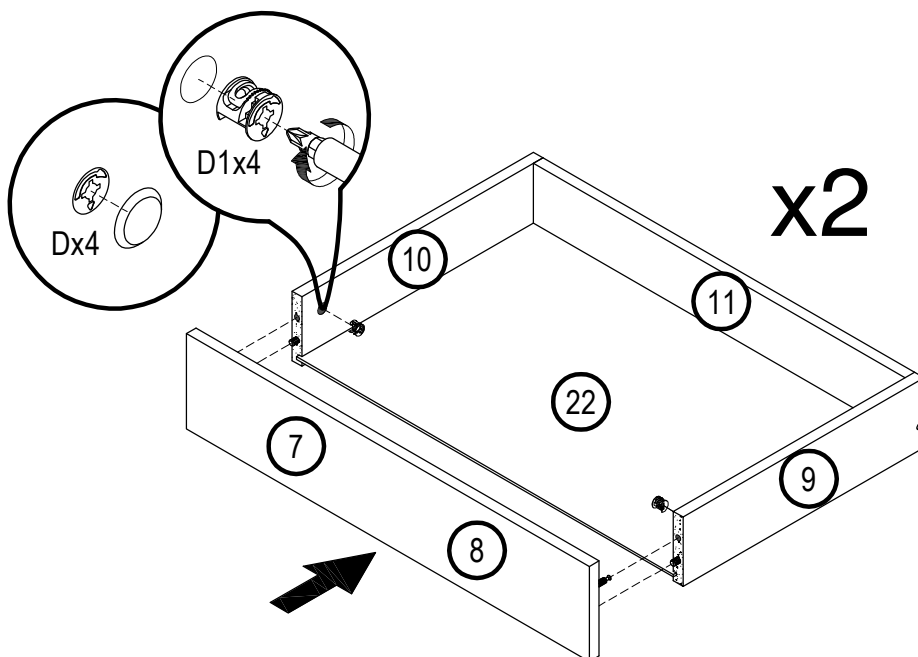
37



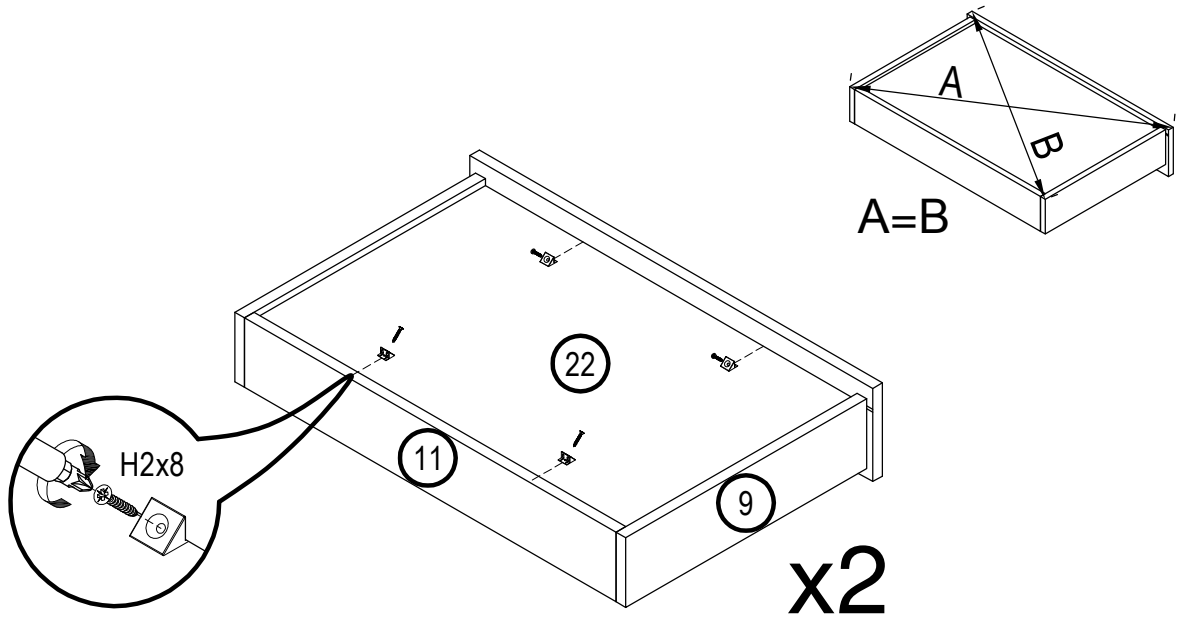
38



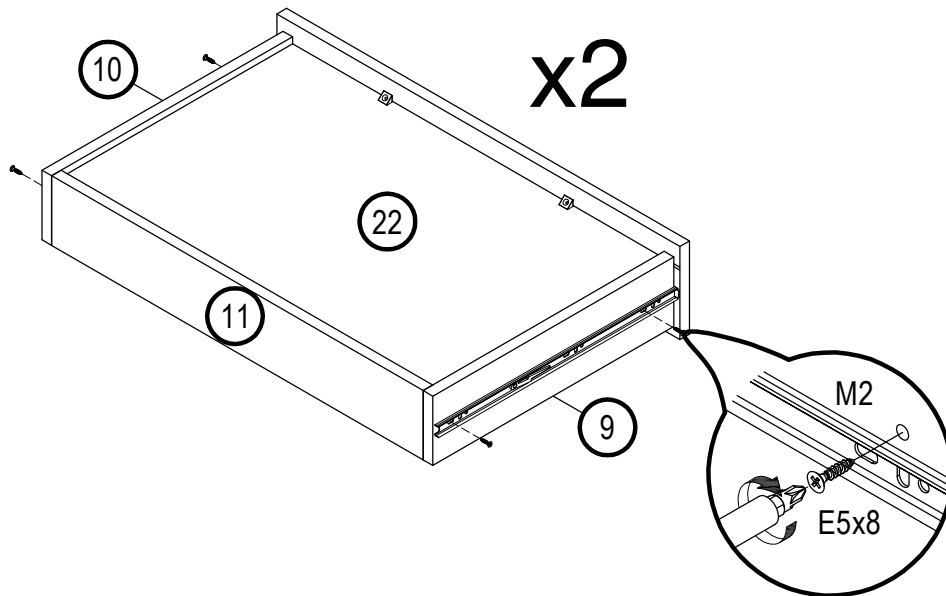
39



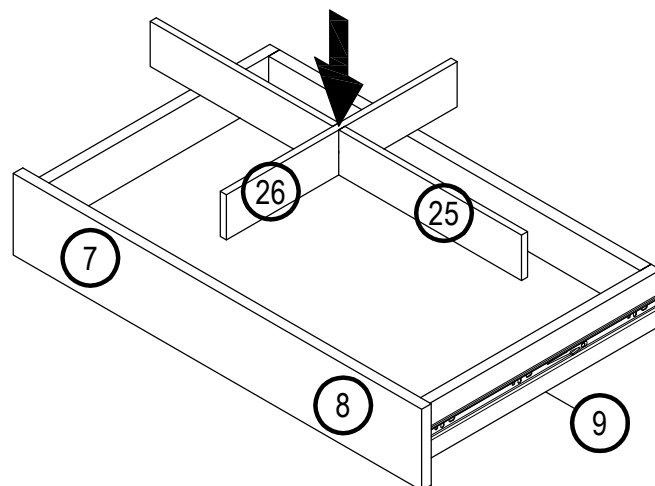
40



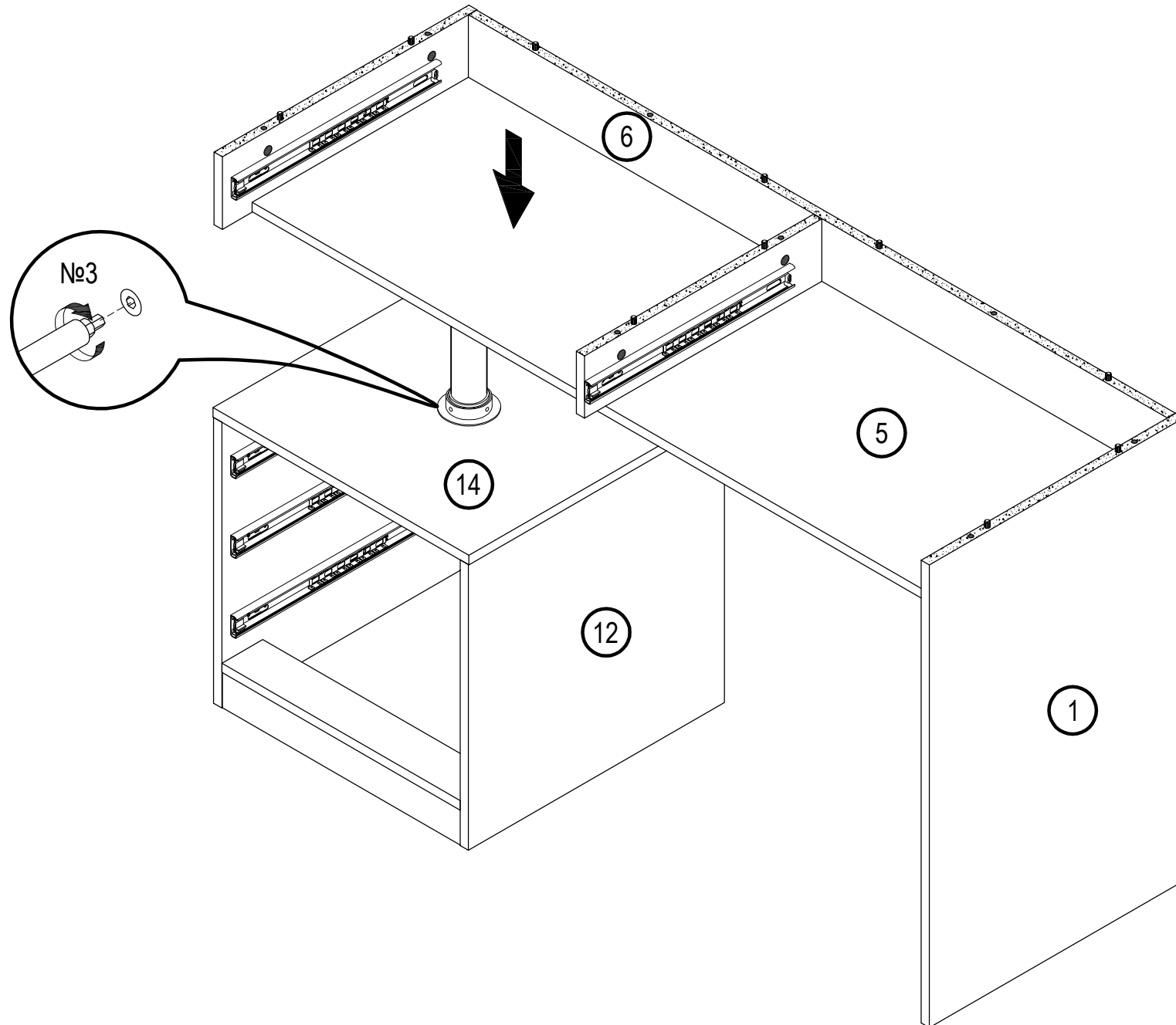
41



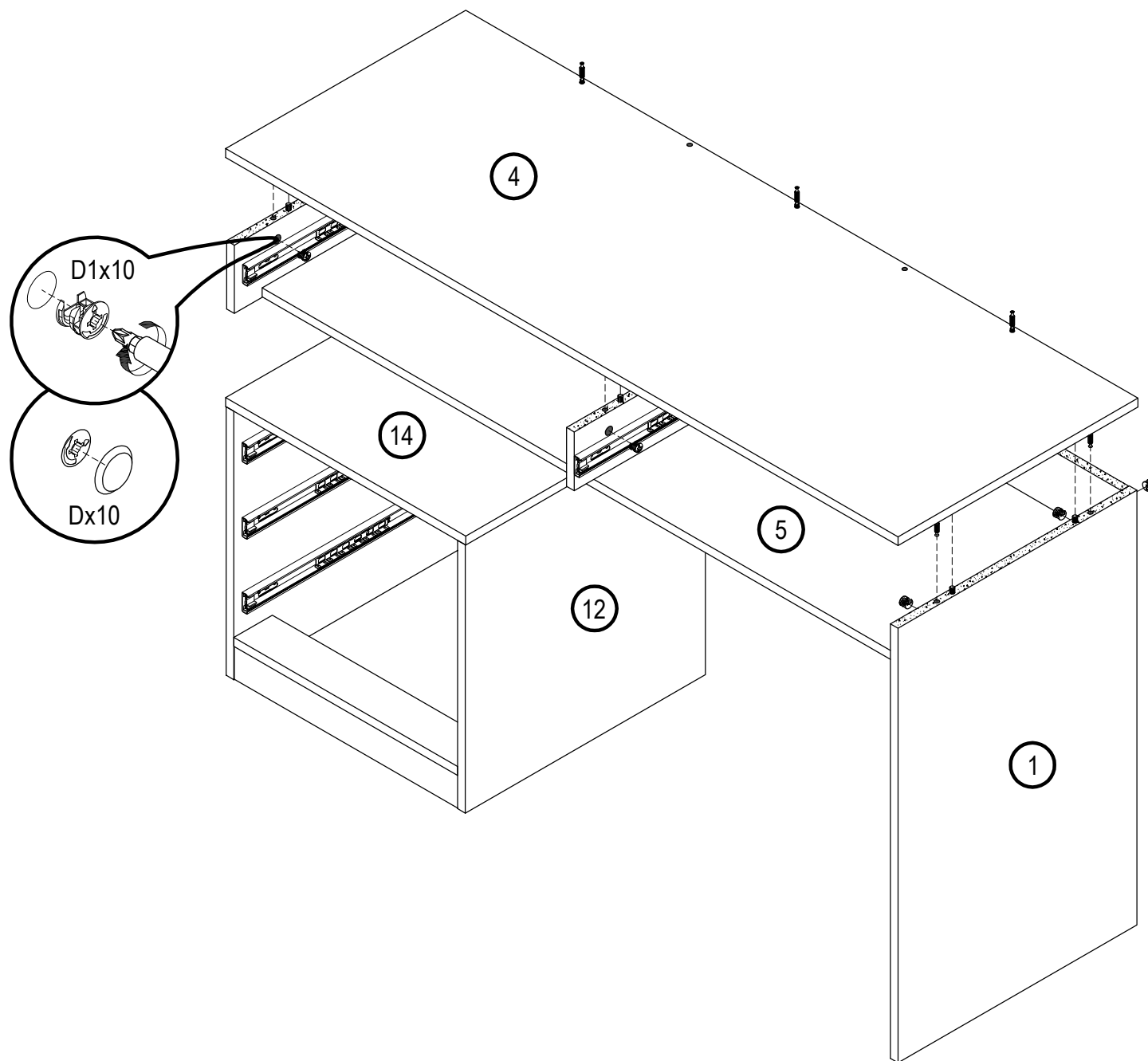
42



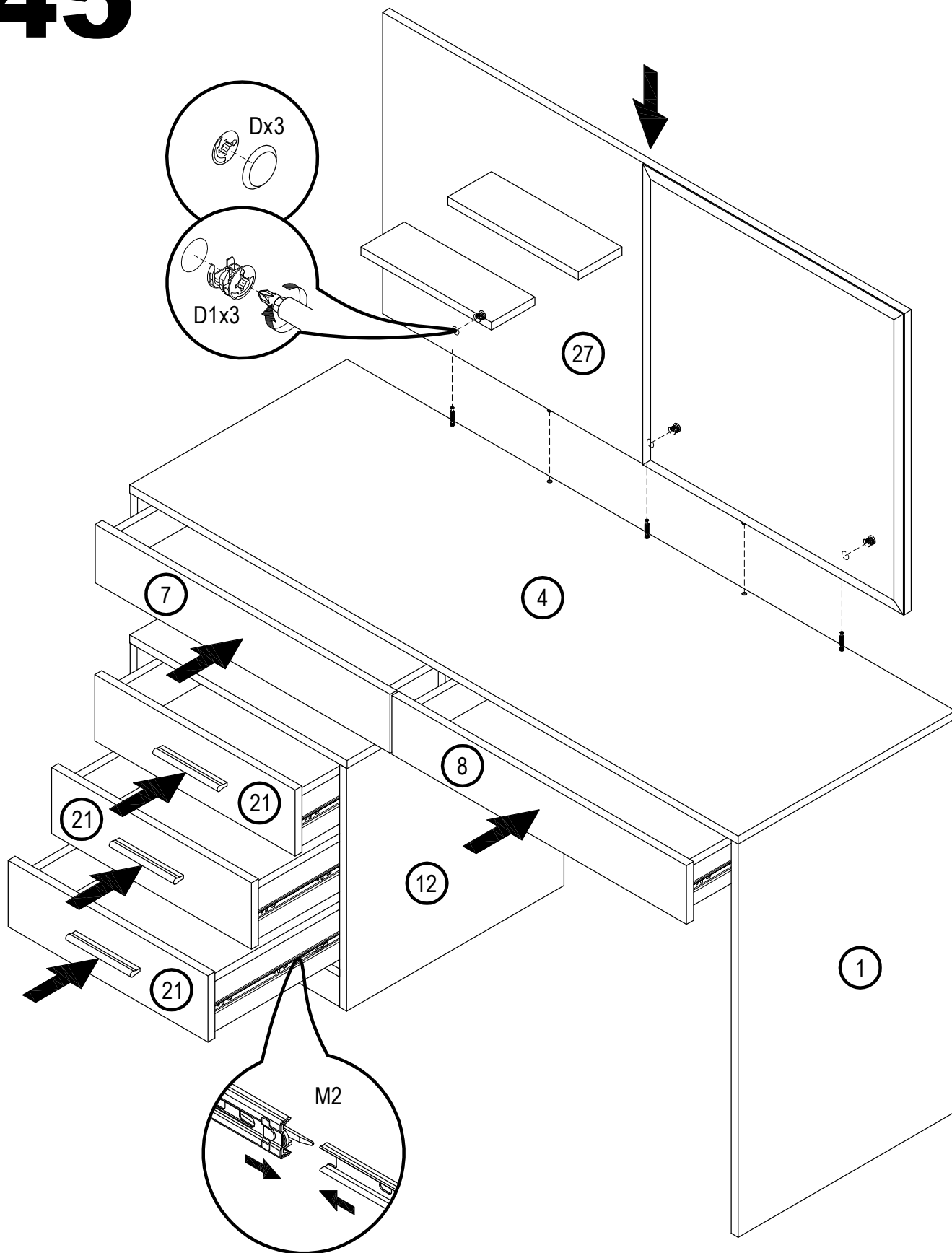
43



44



45



46

