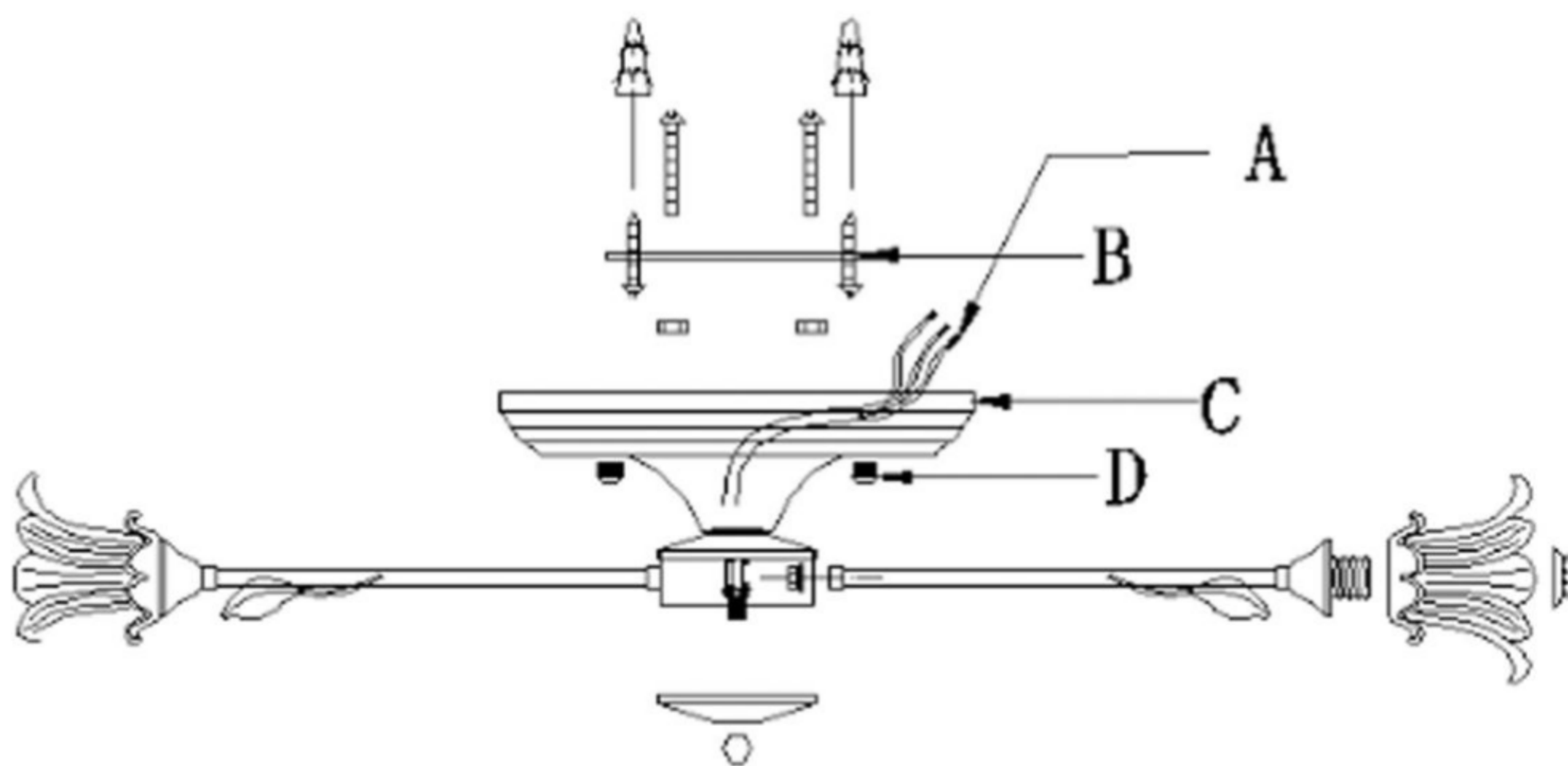


# Assembly Instructions for Model 1611566



Unpack the box and check that the lamp and installation accessories are complete.

1. Assemble the main lamp as shown and connect the wiring.
2. Install the mounting plate assembly (B) and secure it to the ceiling.
3. Hang the main lamp from the mounting plate assembly (B) and check that it is secure.
4. Use the terminal block (A) to connect the ceiling power cord to the lamp power cord (positive to positive, negative to negative, and ground wire to ground). No copper wire should be exposed.
5. Use the clamp (D) to secure the ceiling housing (C).
6. Check that the installation is complete, install the light bulb, and turn on the power.



Your fixture is now assembled and ready to use.