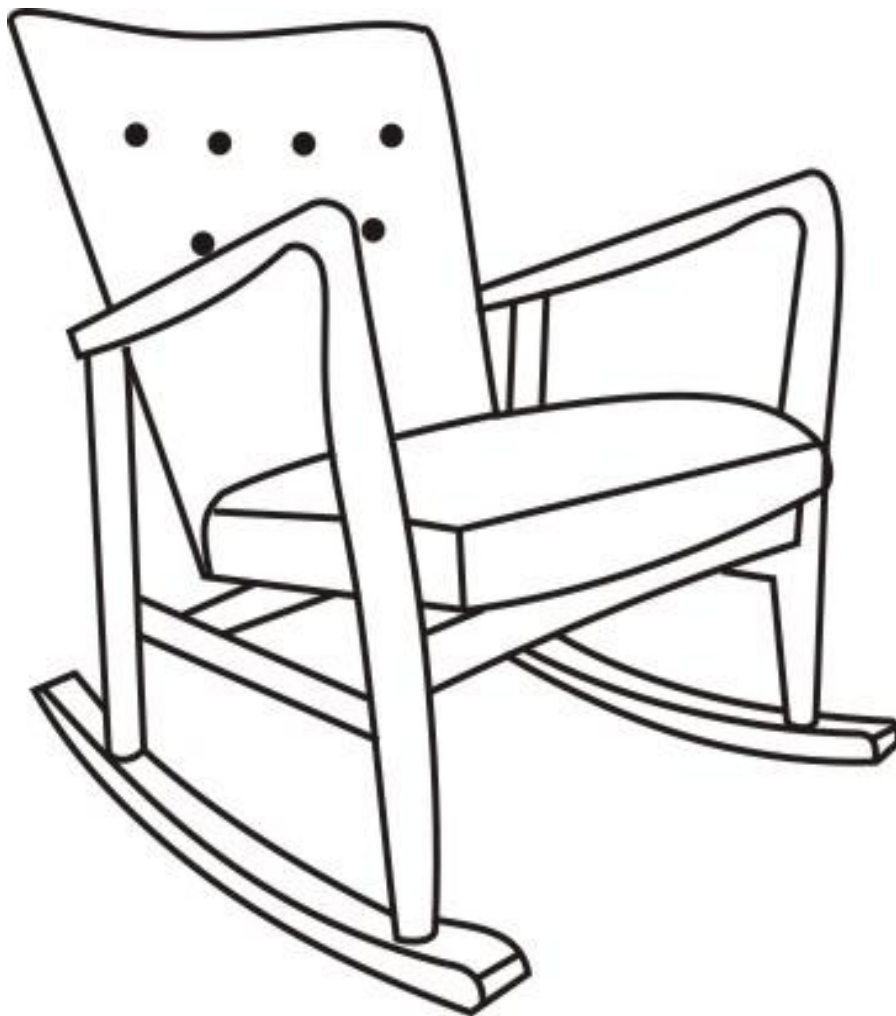



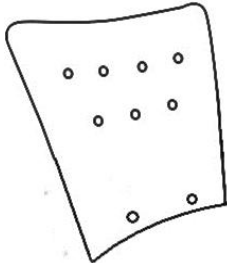
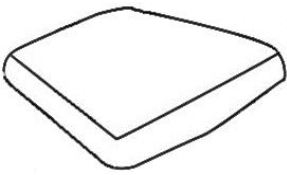

Assembly Instructions

Caution : You must read this before you proceed



ROCKING CHAIR







Parts List

Label	Picture	Description	QTY
A		Frame	1
B		Back	1
C		Seat	1
D		Rocking Base	2

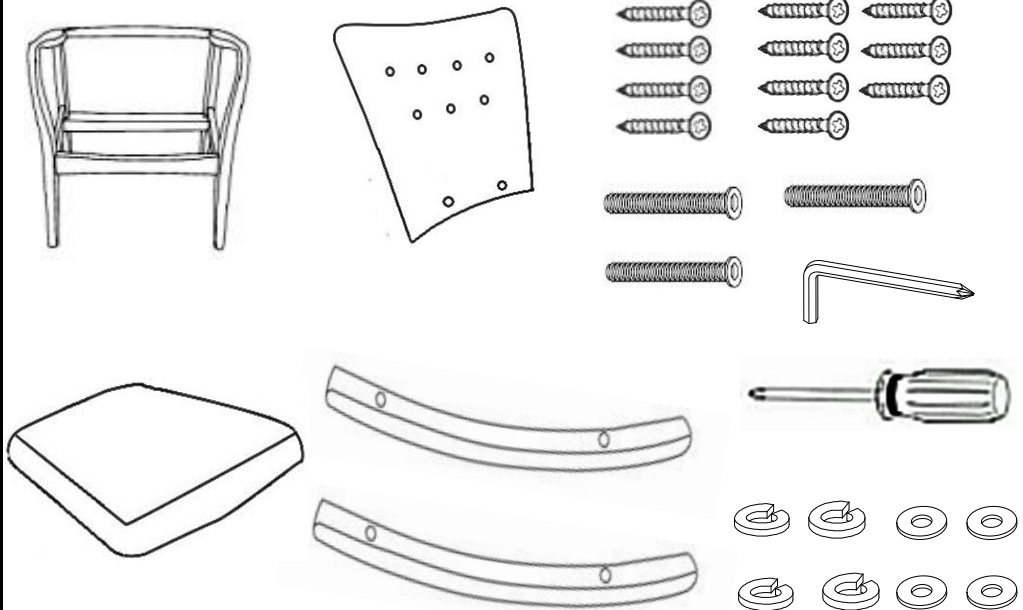
Hardware

Label	Picture	Description	QTY
①		Bolt (M8*70MM)	3
②		Screw (M4*40mm)	11

③		Spring Washer	4
④		Washer	4
⑤		Allen Key	1
⑥		Screwdriver	1

Assembly Preparation

Before Beginning Assembly:



- Read instructions, cover to cover-



- Have 2 adults on hand for assembly-



- Do not assemble on flooring or carpet-



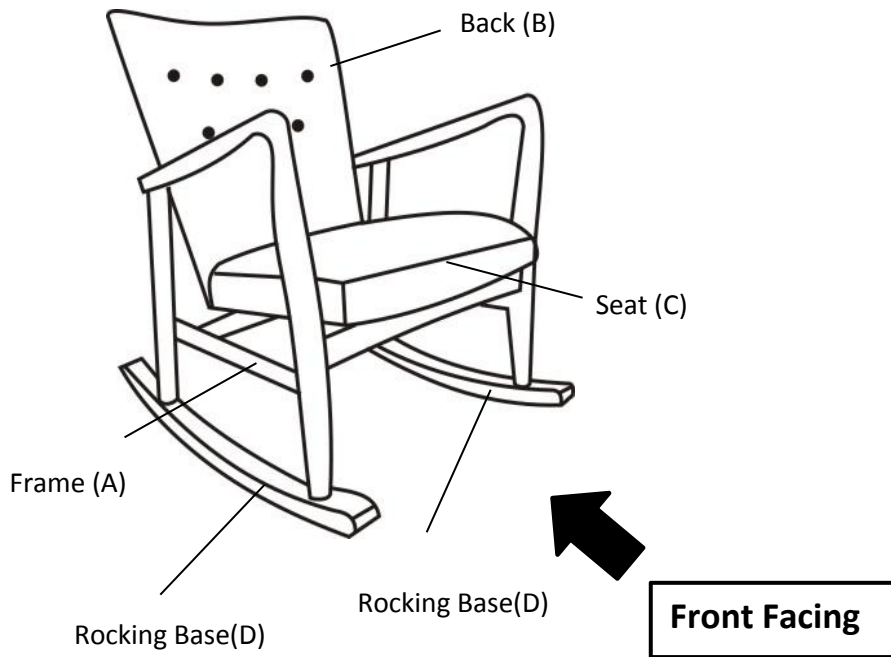
- Assemble on a clean non-marring surface (packing foam)-



- Save all packaging until finished-

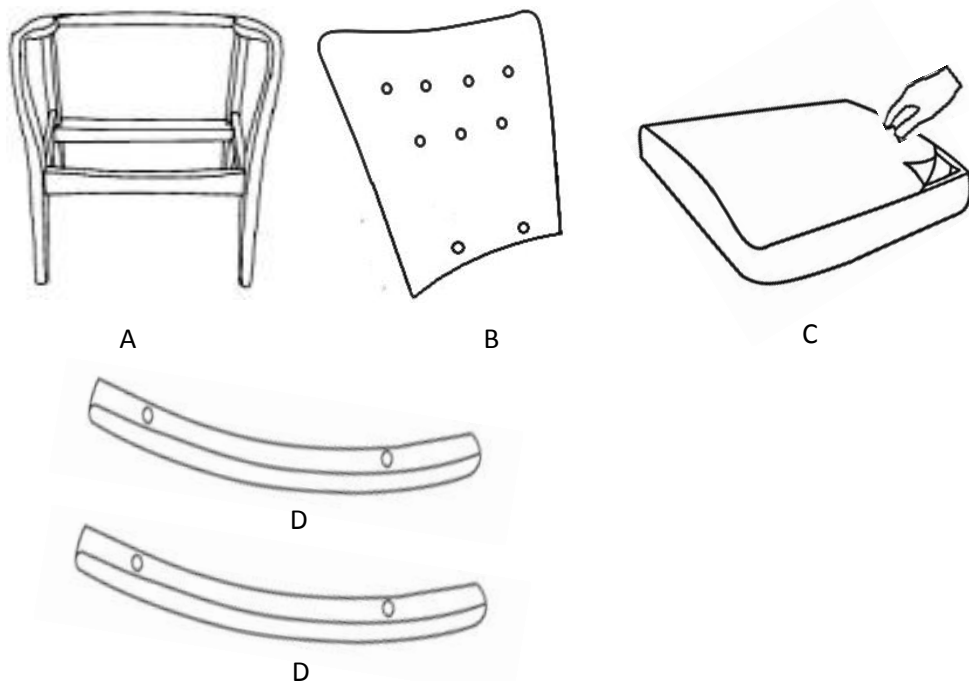
Assembly Steps

Overview



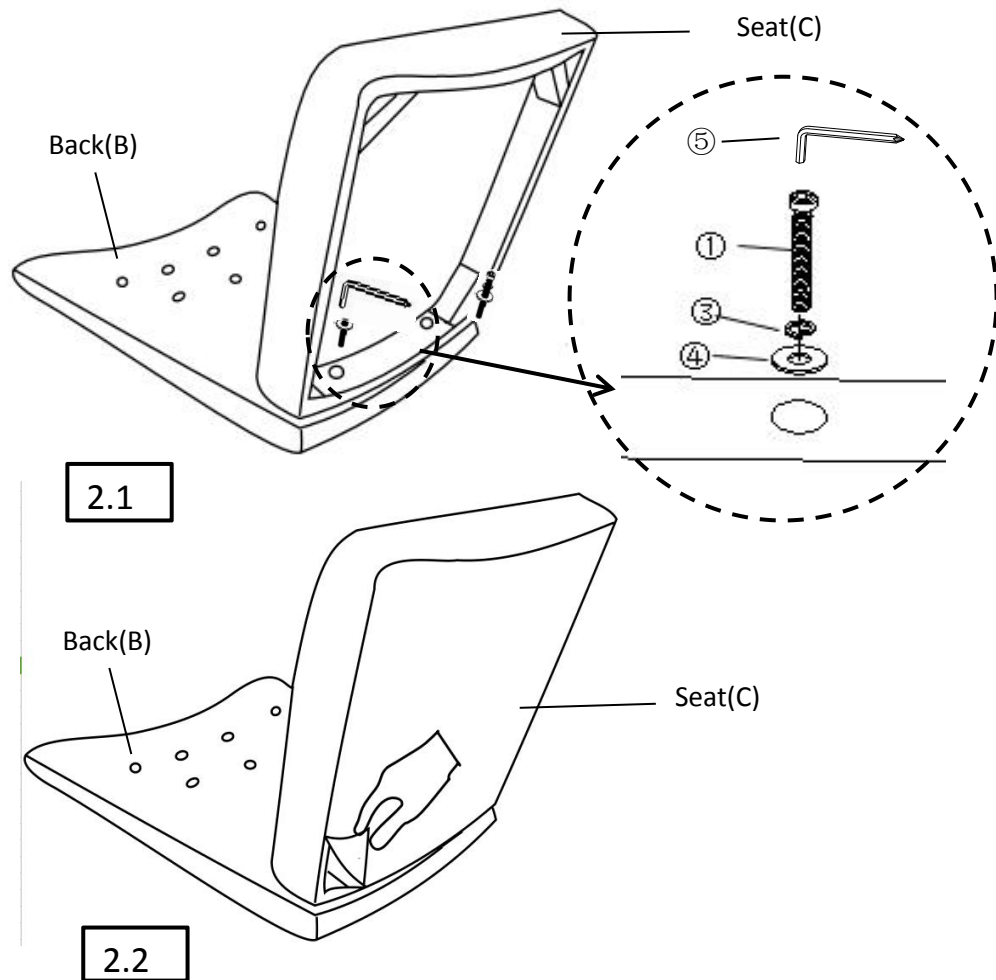
This Rocking Chair has multiple parts and may require up to 30 minutes to assemble. To give you an overview of the Arm Chair parts, the above picture is to help you put the various parts into perspective. Please read through the instructions below to familiarise yourself with the parts and steps before assembly.

Step 1



Place the Frame(A), Back(B), Seat(C), Rocking Base(D) on a clean, non-marring surface.
Carefully peel away the Dust Cover from the edge of the Seat(C) and put it aside.

Step 2

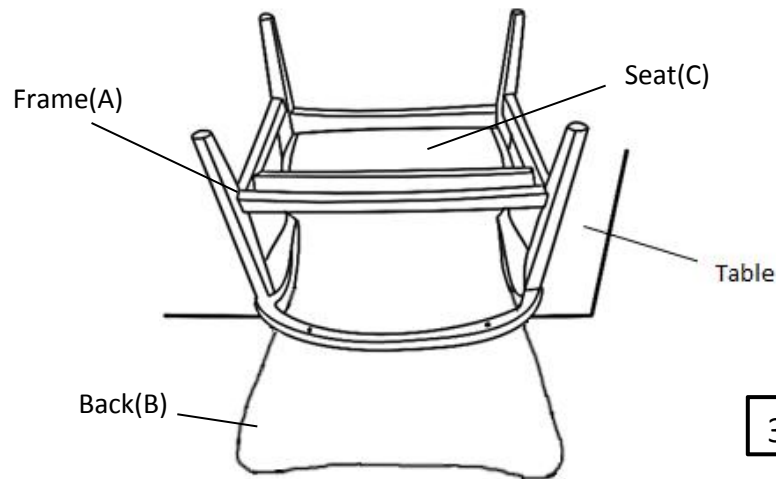


2.1) Align the mounting positions of the Back(B) with Seat(C) and attach them using Bolts(①), Spring Washers(③) and Washers(④) with Allen Key(⑤).

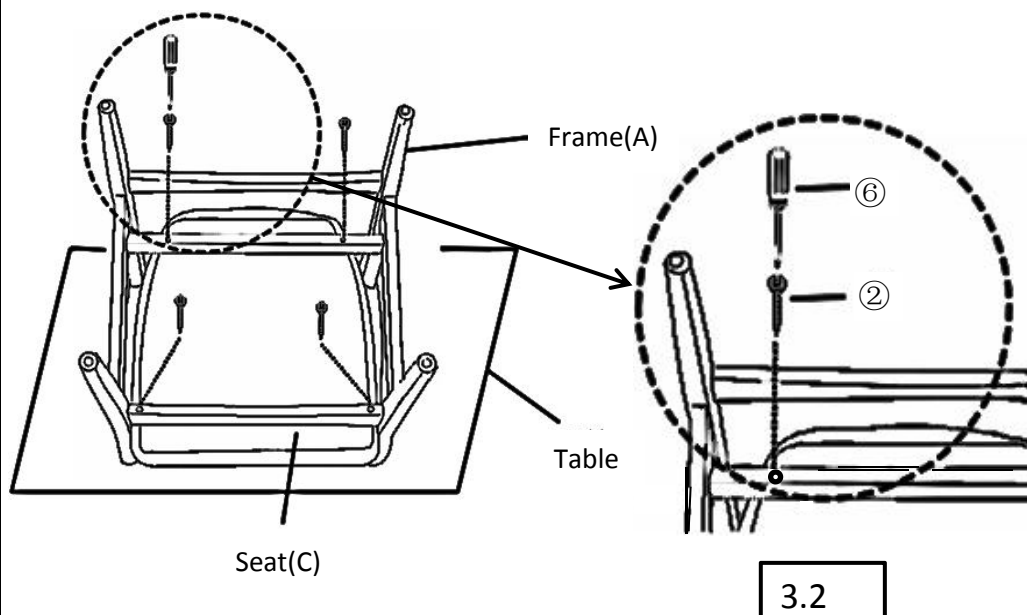
Note: If the mounting positions cannot be aligned well and hinder the installation, then sway the Seat(C) lightly when locking the Bolts, this action could help prevent the Bolts from getting stuck and ensure smooth assembly.

2.2) Tighten the Bolts fully in a sequential manner; then smooth down the Dust Cover with your hands on all four edges of the Seat bottom.

Step 3



Seat(C) and Back(B) stuck in the middle of the Frame(A)



Place the assembled Seat(C) and Back(B) on the side of a table, with the Back(B) facing down.

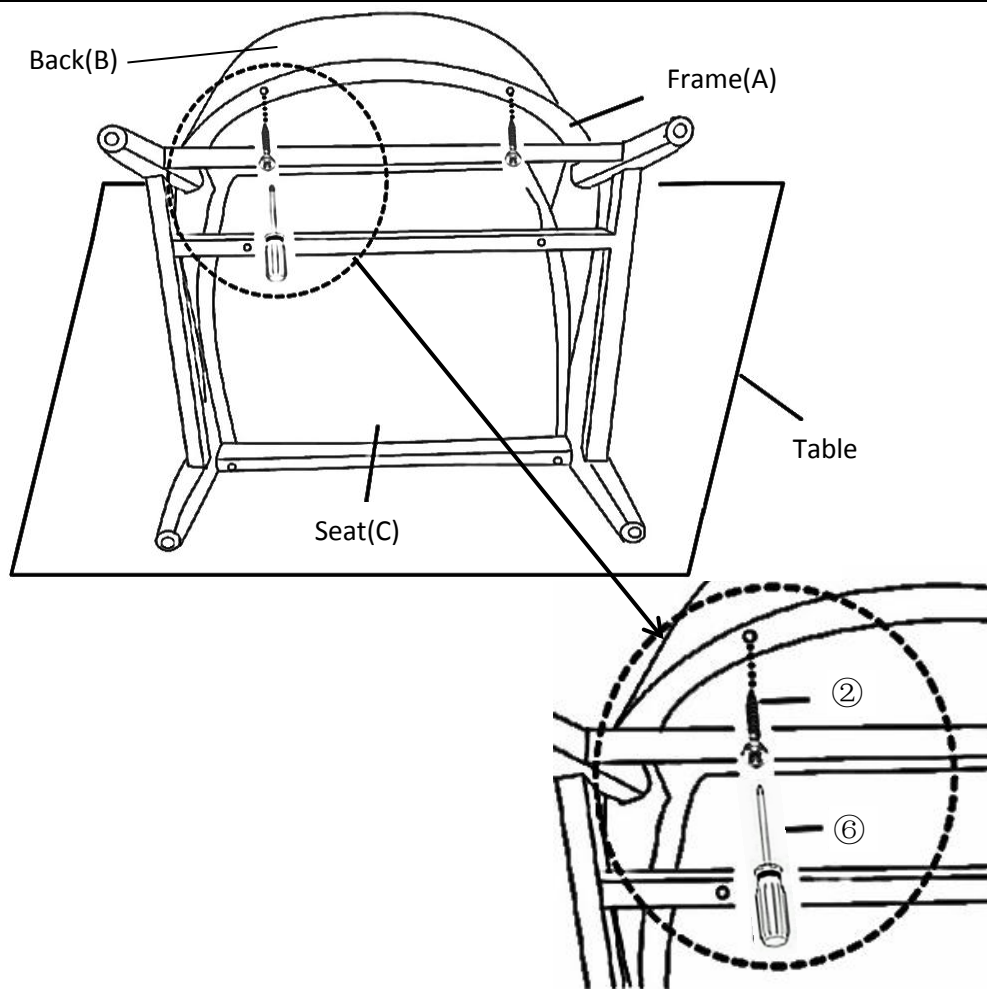
3.1) Place the Frame(A) onto the assembled Seat(C) and Back(B) as shown in the picture.

3.2) Attach Frame(A) to Seat(C) using Screws(②) with Screwdriver(⑥).

Note: If there are gaps between the Frame(A) and Seat(C) which hinders installation, then pull the Seat(C) upwards into the Frame(A), this action helps to ensure there are no gaps between them.

Do not fully tighten the Screws.

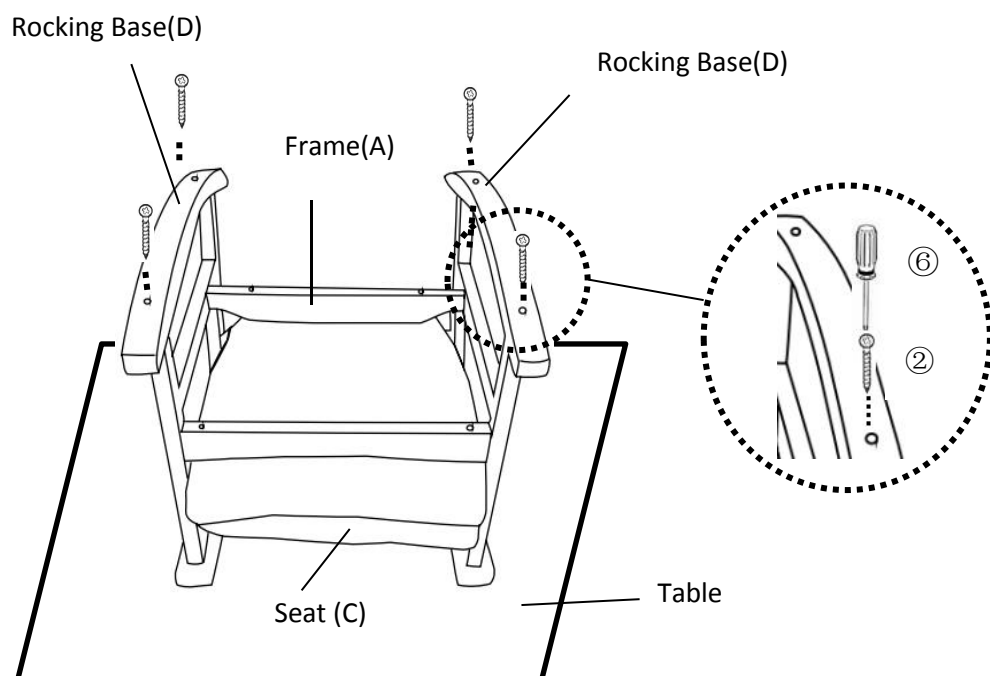
Step 4



Attach Frame(A) to Back(B) using Screws(②) with Screwdriver (⑥).

Note: Please press the Back(B) to Frame(A) before attaching. Do not fully tighten the Screws.

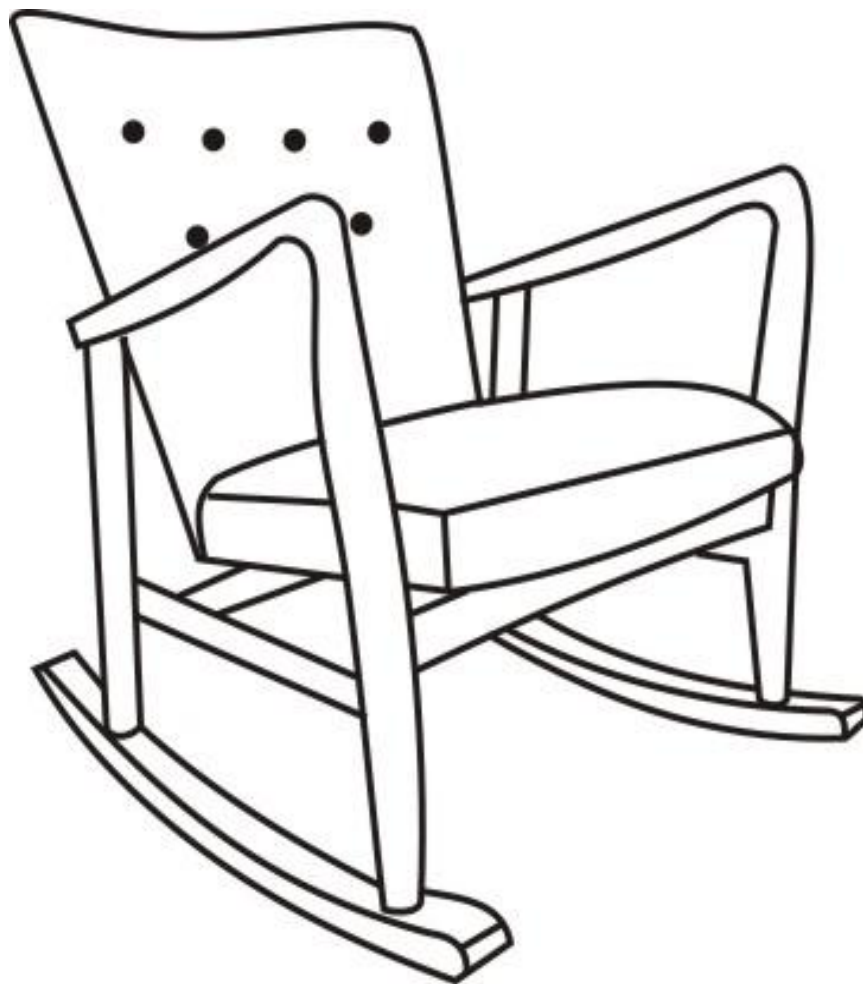
Step 5



Align the mounting positions of the Rocking Base(D) with the Frame(A) and attach using Screws(②) with Screwdriver(⑥).
Do not fully tighten the Screws.

Note: There are two mounting sites on the Rocking Base, please insert the back foot into the back mounting position first and then do the same for the front foot, this action should ensure smoother assembly.

Step 6



Test for Stability

Inspect the Rocking Chair and make sure all parts are adequately connected.

Gently and carefully, sit into to the Rocking Chair.

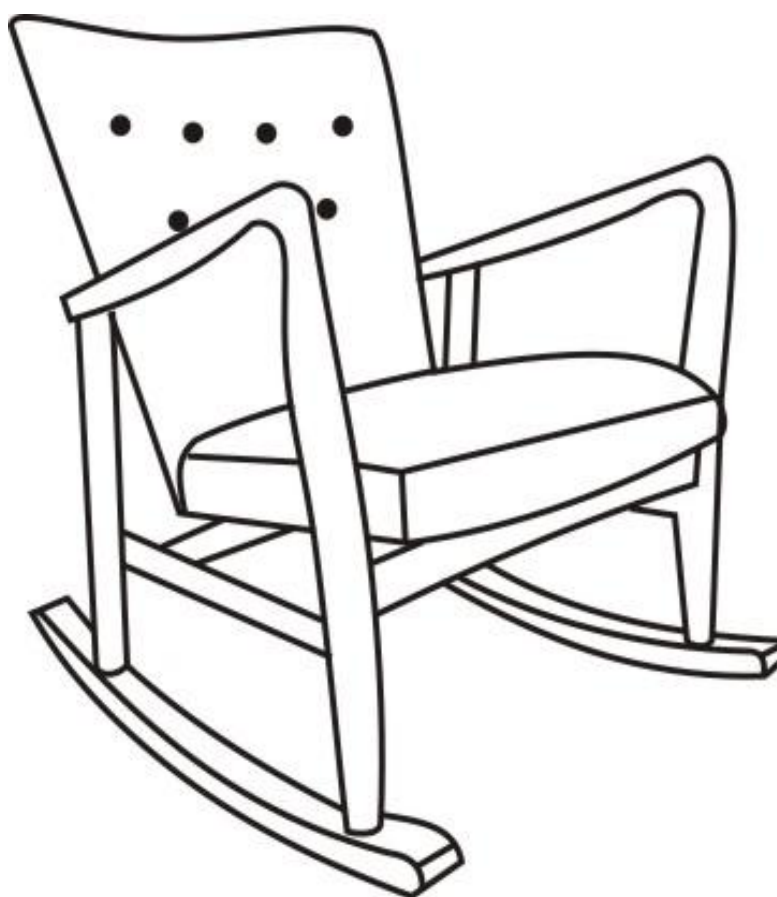
This would help to align all the parts at all joints.

Then get off the Rocking Chair, and place it facedown.

Proceed to tighten all Bolts and Screws at all joints in a sequential manner.

If there are still wobbles, loosen the Bolts and Screws and execute this same process.

Step 7



Your Rocking Chair is ready for use.

This Rocking Chair can only be used on a flat, level surface.

Care & Maintenance



- Do not put hot items directly on furniture surface



- Do not clean furniture with harsh cleansers or polish.



- Do not place furniture under direct sunlight.



- Do not place furniture near heating or cooling vents.



- Do not write on furniture without a padded barrier to protect the surface.



- Do not place furniture outside . For indoor use only .



- Not for commercial use. For residential use only .



- Stains may be removed with mild soap solution and damp cloth.













- Children should not climb or jump on the furniture.



- Dust and pick-up spills using a clean, non-colored, lint-free cloth .

Care & Maintenance

-  Do not put hot items directly on furniture surface
 -  Do not clean furniture with harsh cleansers or polish.
 -  Do not place furniture under direct sunlight.
 -  Do not place furniture near heating or cooling vents.
 -  Do not write on furniture without a padded barrier to protect the surface.
 -  Do not place furniture outside . For indoor use only .
 -  Not for commercial use. For residential use only .
 -  Stains may be removed with mild soap solution and damp cloth.
 -  Children should not climb or jump on the furniture.
-
-  Dust and pick-up spills using a clean, non-colored, lint-free cloth .