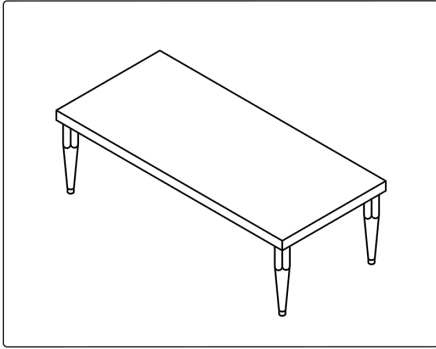


ASSEMBLY INSTRUCTIONS

SKU/ITEM# 881-T-DINING TABLE

meridian.
furniture



+ Do Not Use Power Tools



+ Suggested Adults



NOTE: For questions about parts or assembly please email support@meridianfurnitureusa.com or call us at 718-758-4455.

- 1 Read instructions cover to cover.
- 2 Save all packaging until assembly is completed.

1 IMPORTANT SAFETY INFORMATION

Do not assemble the product if any of the following parts arrived damaged:

Part # ① - Table Top

Part # ② - Leg

2 IMPORTANT ASSEMBLY INFORMATION

Assembly Step 1: Use Bolt B/D/C, to connect Part ② to Part ①.

Assembly Step 2: Use Allen Key A, to drive Bolt B and tighten (B) in Place.

***Warning:** Do not over tighten screws, or it could damage the Table Top.

+ Parts Included

- ① Table Top (1PC)



- ② LEG (4PCS)



+ Hardware Included

- A** Allen Key M5
(1 PC)



- B** Bolt M8x40
(16 PCS)



- C** Washer M8x22
(16 PCS)



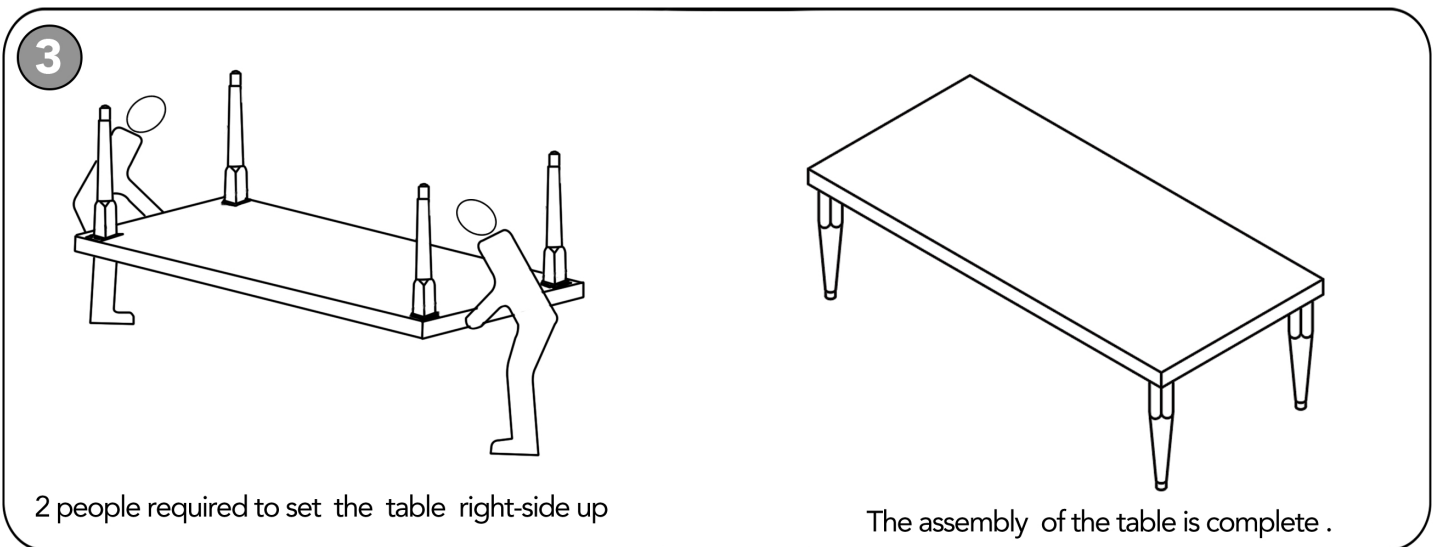
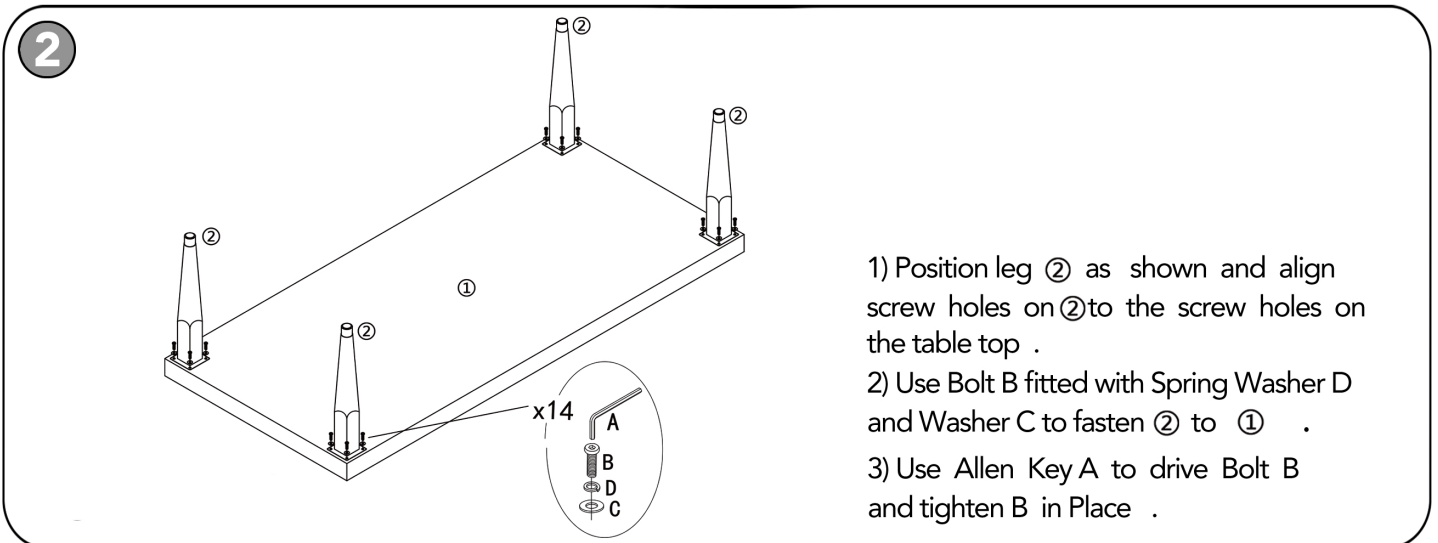
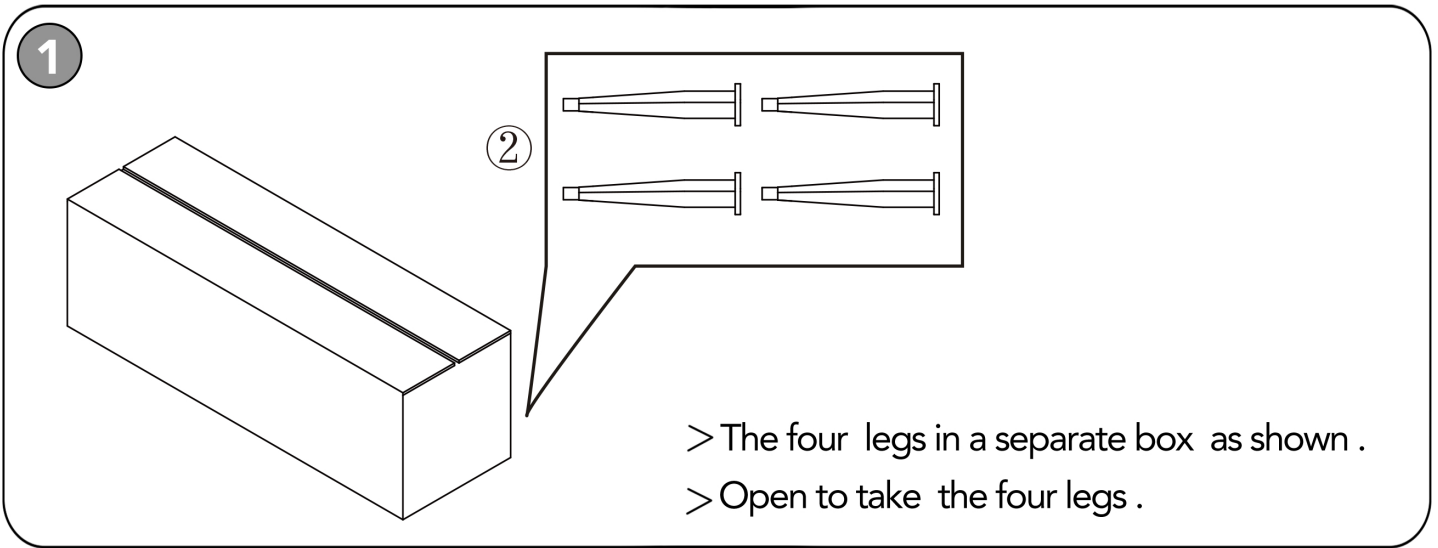
- D** Spring Washer
(16 PCS)



ASSEMBLY INSTRUCTIONS

SKU/ITEM# 881-T-DINING TABLE

meridian.
furniture



NOTE: For questions about parts or assembly please email support@meridianfurnitureusa.com or call us at 718-758-4455.

www.MeridianFurnitureUSA.com | support@meridianfurnitureusa.com