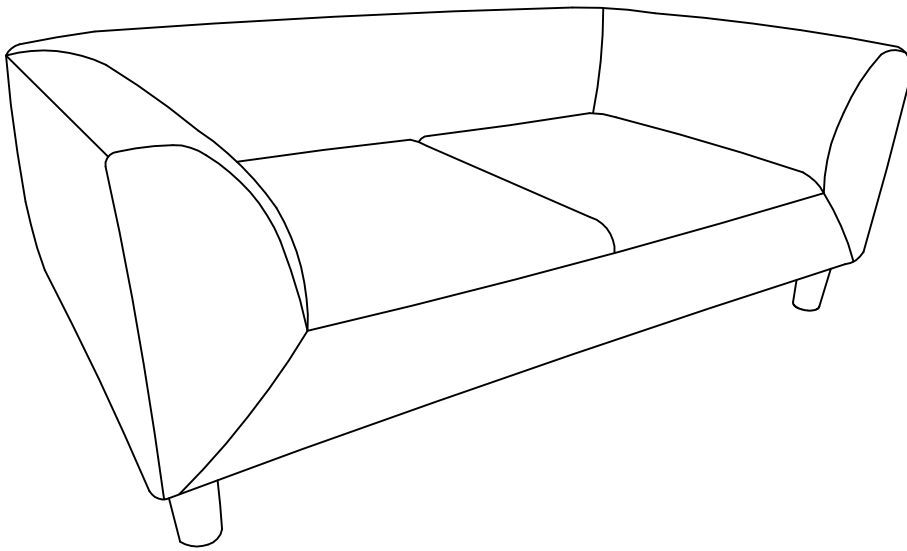





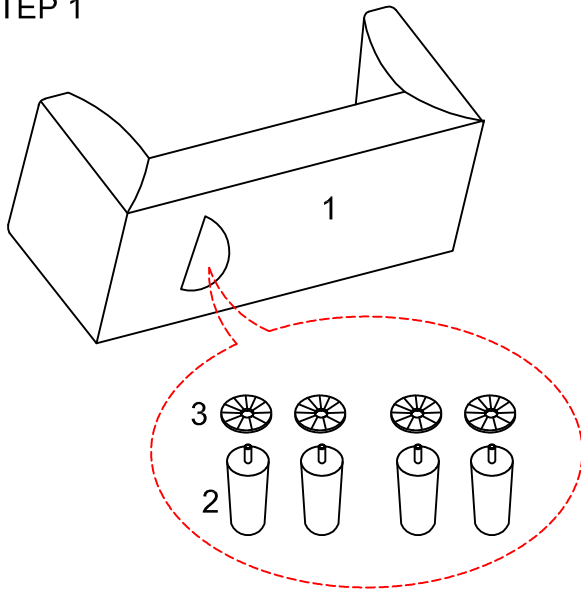
# Installation & Assembly



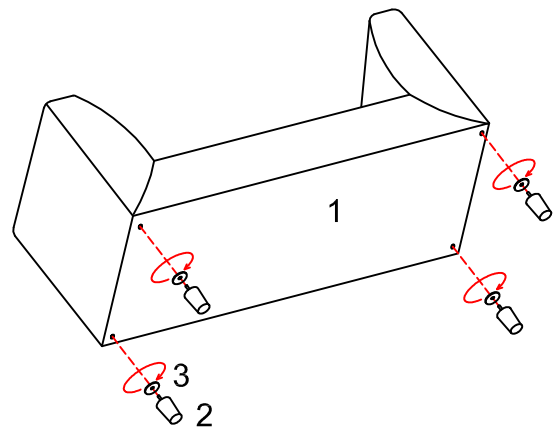
# PART LIST

No	DESCRIPTION	QTY
1	 Seat Frame	1PC
2	 Leg	4PCS
3	 Leg Washer	4PCS

## STEP 1



## STEP 2



## STEP 3

