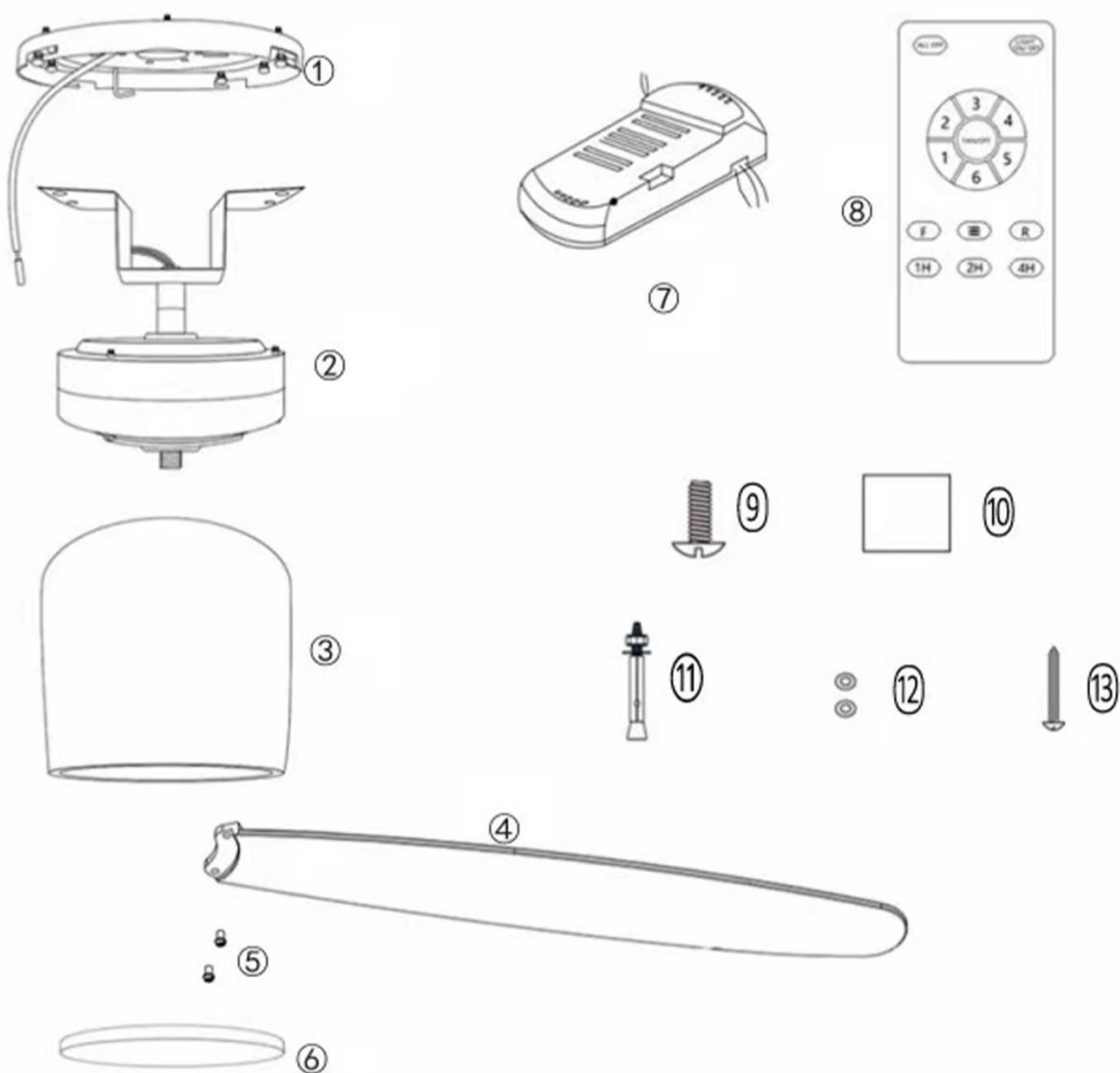







BEFORE INSTALLATION

Unpack your fan and check the contents. You should have followings:



| | | | | | | | | | |
|-------------------------------------------------------------------------------------|-------------------------------------------------------------------------------------|-------------------------------------------------------------------------------------|-------------------------------------------------------------------------------------|---------------------------------------------------------------------------------------|---|--------|---|---------------------|---|
|  |  |  |  |  | | | | | |
| 1/4*15 screw | 6 | Balance sticker | 2 | Explosion screw | 2 | Gasket | 6 | Self-tapping screws | 4 |

- | | | | |
|-------------------------|---------------------|---------------------|-------------------|
| 1. Hanger | 2. Motor | 3. Motor shel | 4. Blade |
| 5. Blade screw | 6. Decorative cover | 7. Receiver | 8. Remote control |
| 9. 1/4*15 screw | 10. Balance sticker | 11. Explosion screw | 12. Gasket |
| 13. Self-tapping screws | | | |

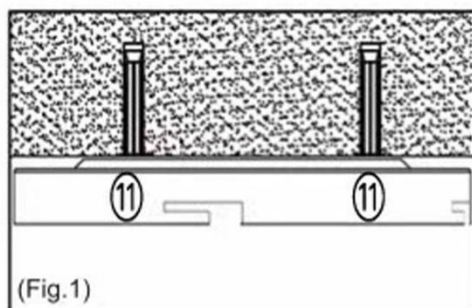
INSTALL THE FAN

Tools Required Phillips Screwdriver, Pair of Pliers, Straight slot screwdriver, Adjustable Wrench, Step Ladder and Wire Cutters

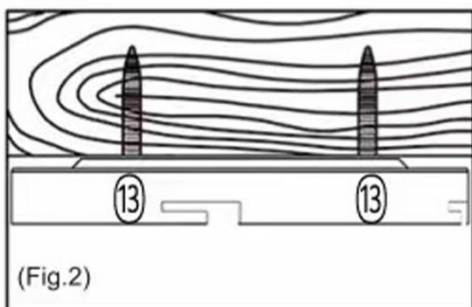
INSTALL THE MOUNTING BRACKET

To prevent personal injury and damage, ensure that the hanging location allows the blade a clearance of 7.5 feet(2.3 metets) from the floor and 18 inches(45.72 centimeters)from any wall or obstruction.

1. For the concrete ceiling: Mark the location for the ceiling fan first, then drill two holes in the ceiling to aid in securing ceiling bracket with two expansion screws provided, and secure the mounting bracket to the building structure with two expansion screws provided, tighten the screws(Fig. 1)



For the Wood Ceiling: Mark the location for the ceiling fan first, secure the mounting bracket to the building structure with four wood screws provided.(Fig. 2)



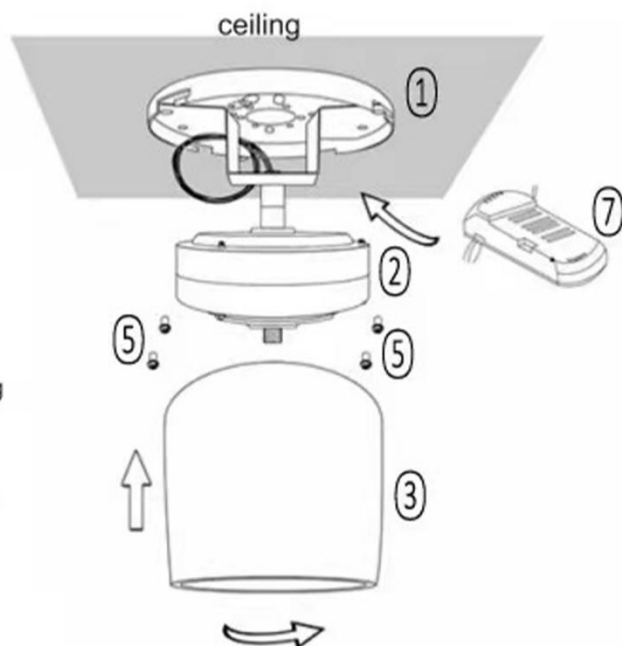
NOTE: Hanger after the installation must be able to withstand the weight of 45 kgs or more.

INSTALLING RECEIVER

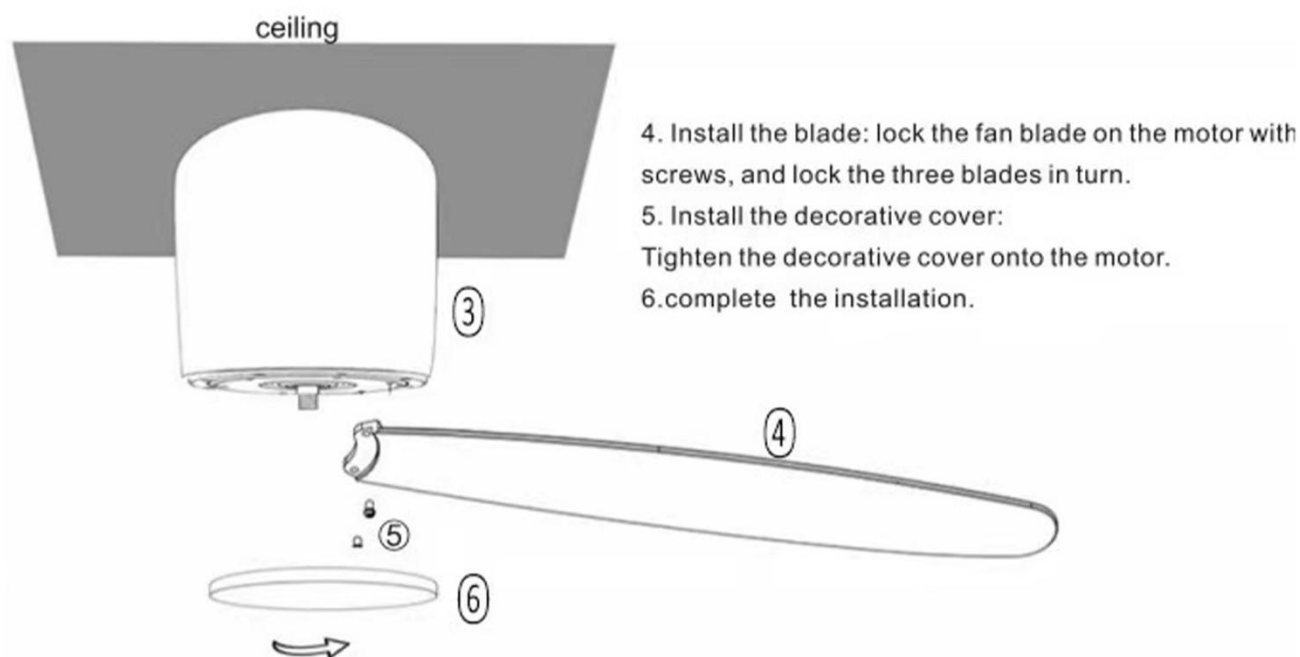
NOTE: Hanger after the installation must be able to

Install ceiling fan, follow the steps below:

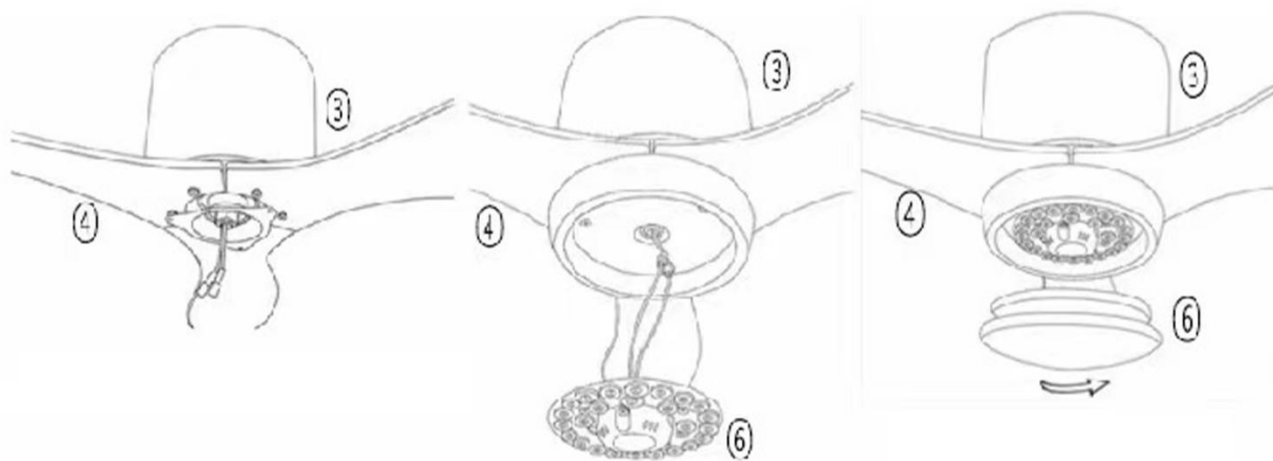
1. Install the motor: unscrew the four screws of the ceiling mounting bracket, connect the motor to the ceiling mounting bracket and lock it with the screws.
2. Install the remote control: Connect the wires on the motor and the wires on the receiver to the corresponding colors.(Please refer to the remote control manual.
3. Install the shell: put the shell on the motor, rotate it to the right, and clamp it on the mounting bracket.



INSTALLATION WITHOUT LAMP



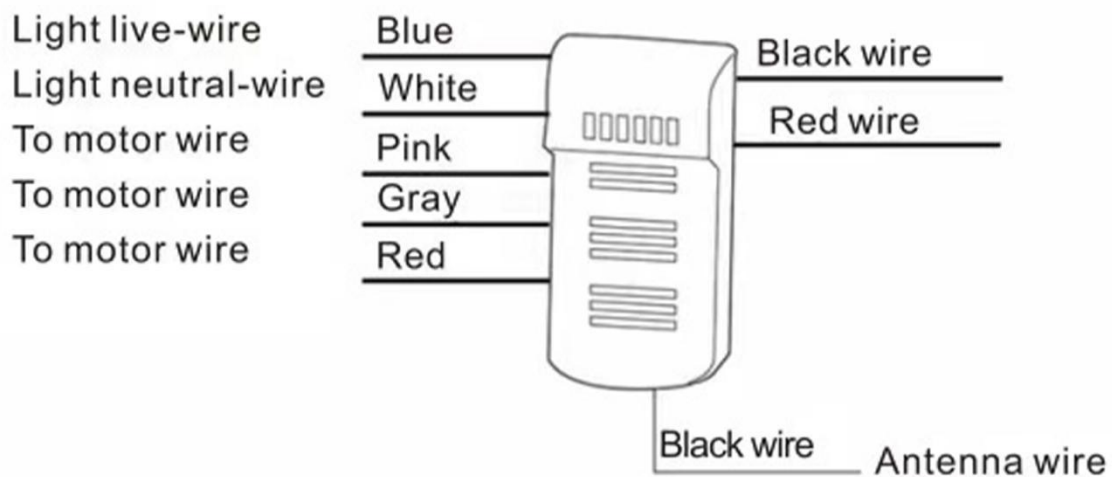
INSTALLATION WITH LAMP



1. After locking the blade, install the lamp kit (Do not install the blade in the opposite direction)
2. After locking the lamp kit insert the LED wire ends
3. Last step: rotate the glass to the right to tighten it and check whether it is loose. Complete the installation.

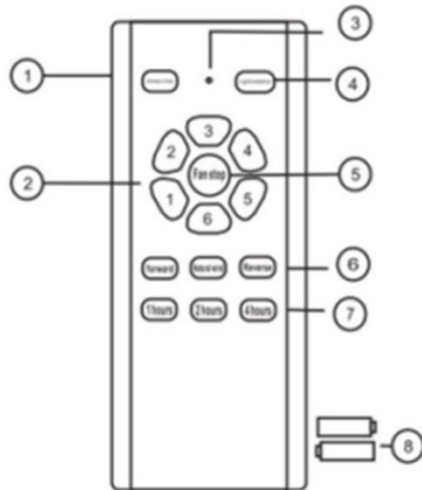
MAKE THE ELECTRIC CONNECTIONS

Note the remote receiver must match the same code control



Note: the remote receiver must match the same code control

Instructions for remote control



1. Turn off all loads
2. Fan speed control
3. LED indicator light
4. Turn on the light
5. Fan off
6. Fan positive and negative rotation control
7. Fan timing control
8. The remote control USES a pair of 1.5v batteries

Tips

1. The remote control and the receiver are matched for learning codes, Within one minute of the same point of the controller, the remote control is set to the controller; Press the total key About 5 seconds, in the heard a drop, that learning success, can be used normally; (note: power on for more than ---- minutes without learning)
2. If the remote control cannot control the controller, please check whether the battery is loaded correctly;
3. Low battery voltage will affect the remote control distance and may cause the remote control malfunction. Please replace the battery in time
4. When not in use for a long time, please take out the battery of the remote control;
5. The maximum supporting light is 100W;
6. During installation, please do not press the antenna (and other wires) on the ceiling cover of the fan, which may cause wire breakage and short circuit.

Your fixture is now assembled and ready to use.