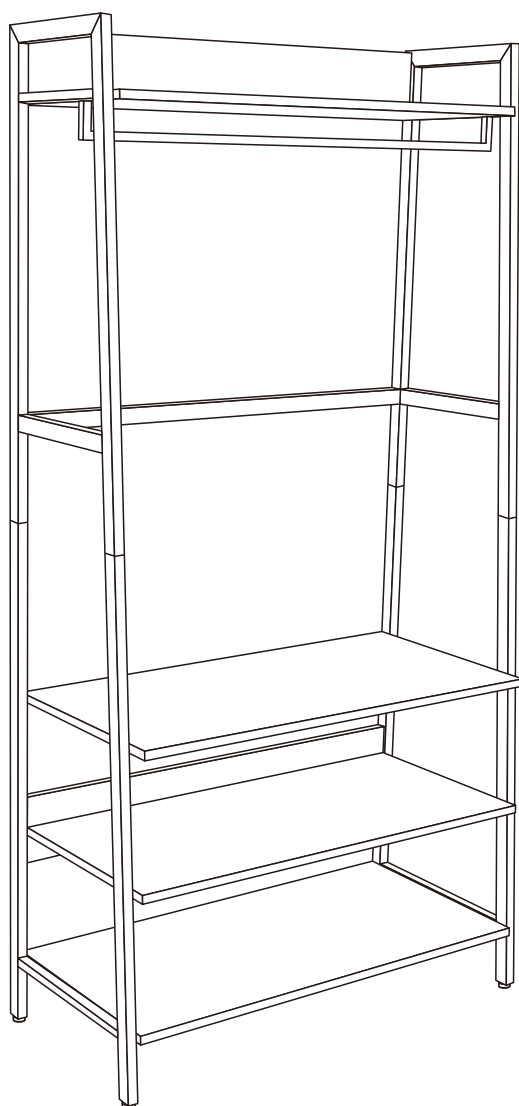
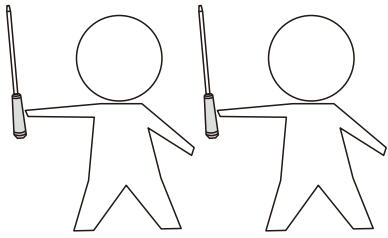


# INSTRUCTIONS

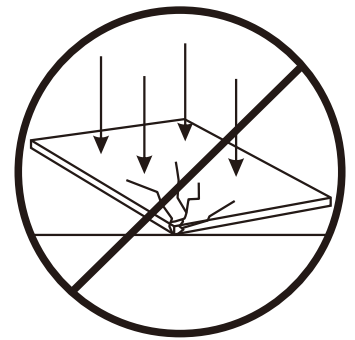
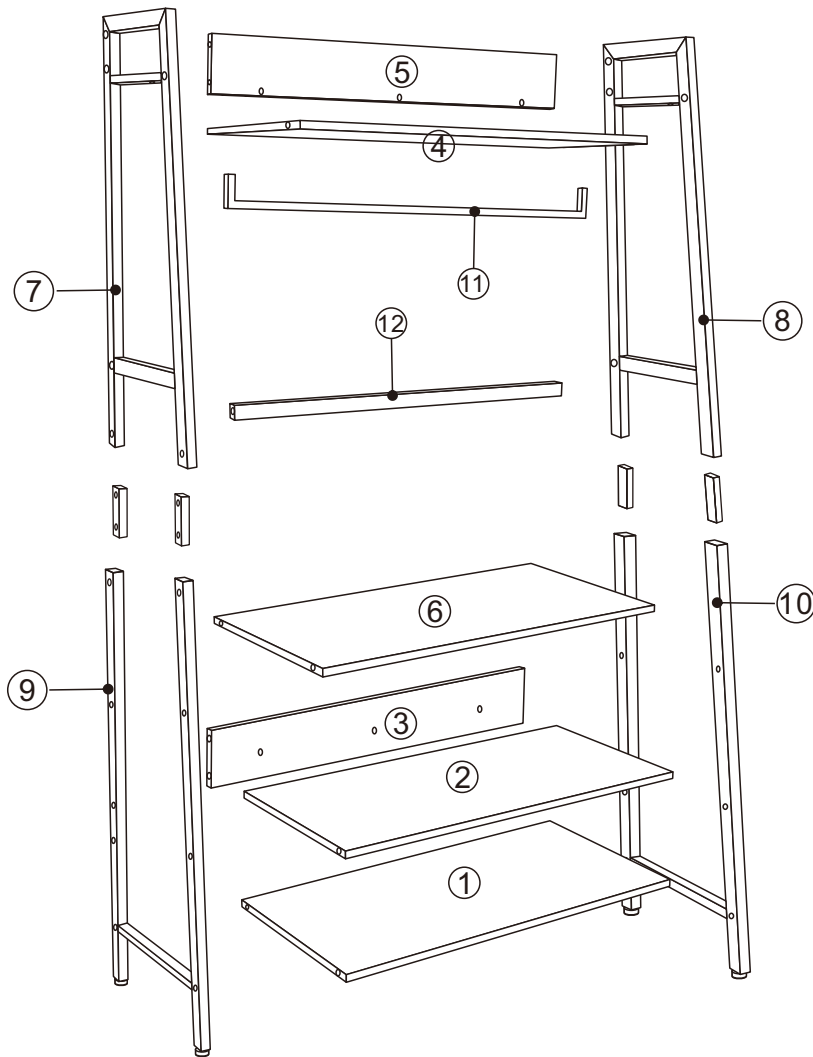


# **Installation Notes:**

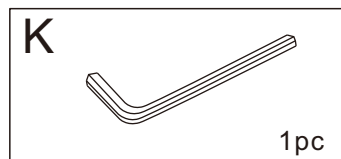
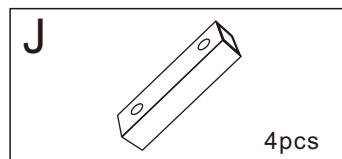
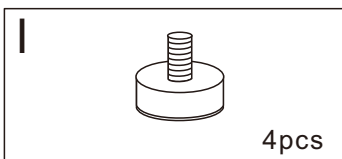
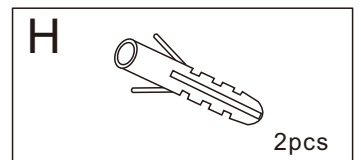
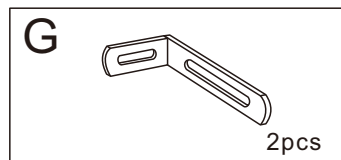
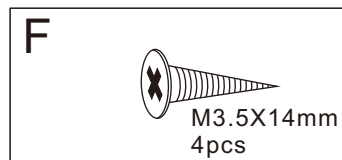
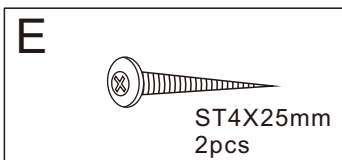
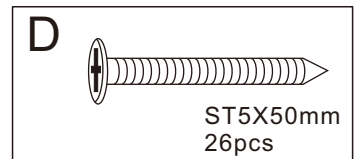
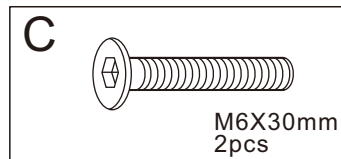
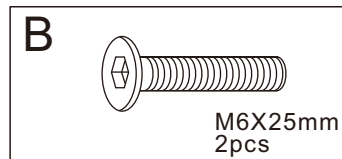
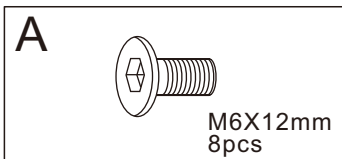
- 1. Before starting to assemble, please check the number of parts referring to this instruction.**
- 2. Before starting to assemble, please check the condition of the parts. If any damage is found, please contact us.**
- 3. Be careful of the heavy board.**
- 4. Handle with care to avoid damaging floor and the product.**
- 5. Recommendation of 2-3 people for easier installation.**



Need to prepare

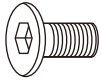


Wood board is fragile



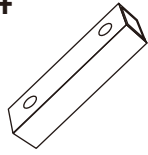
1

A\*8

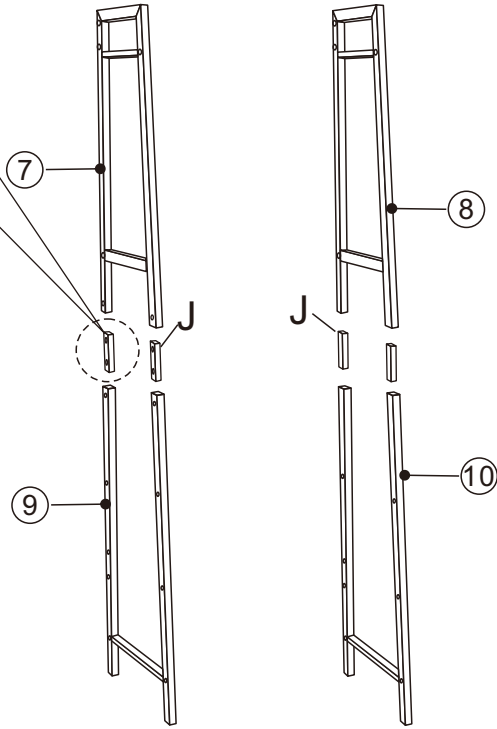
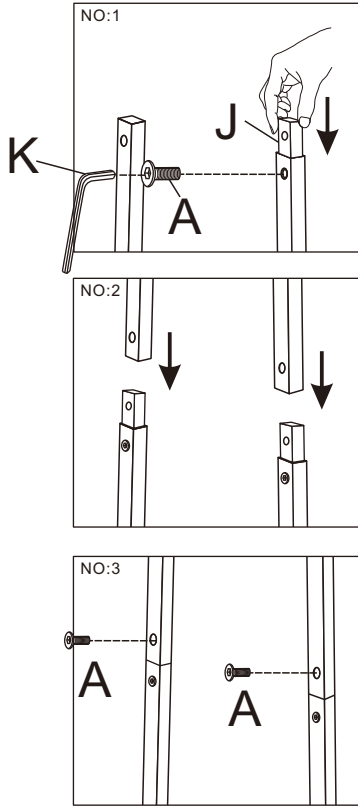


M6X12mm

J\*4

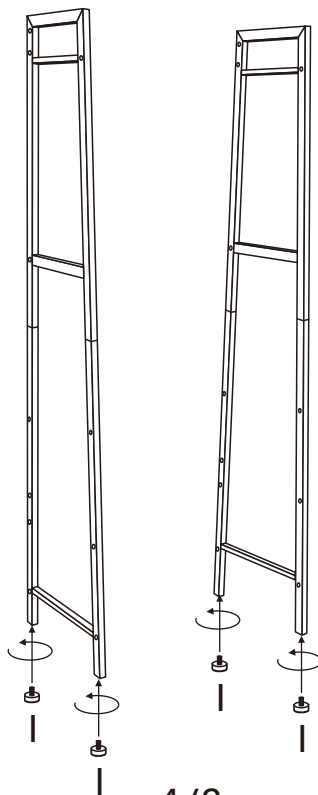
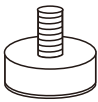


K



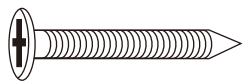
2

I\*4

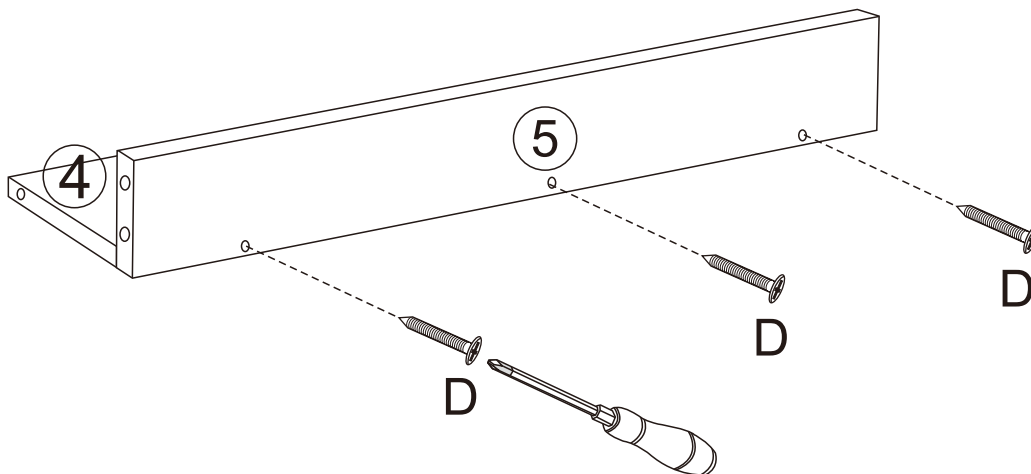
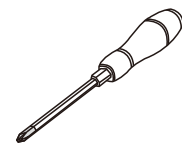


3

D\*3

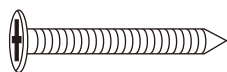


ST5X50mm

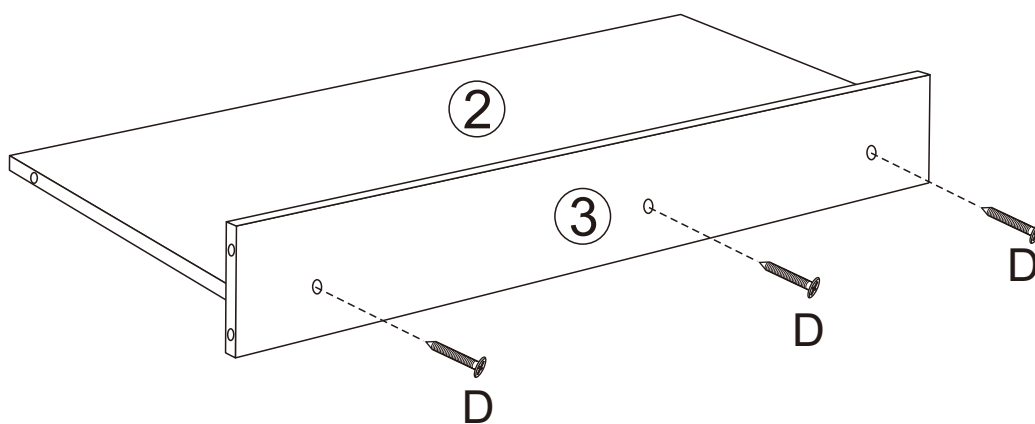
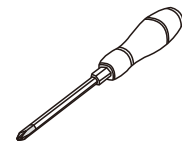


4

D\*3

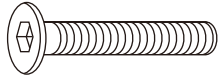


ST5X50mm



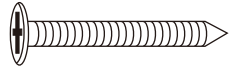
5

C\*2



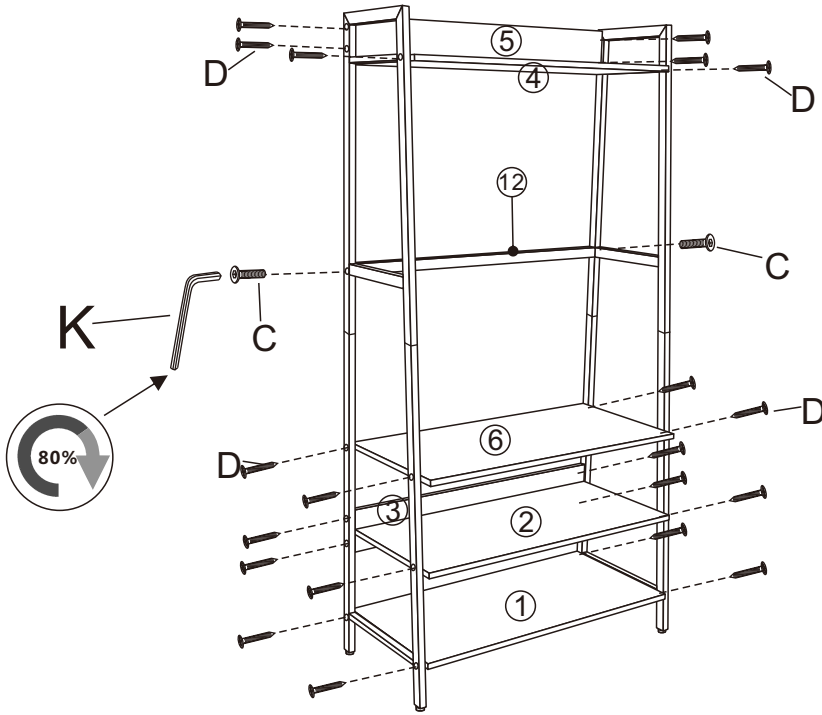
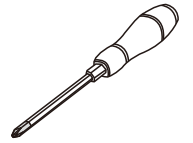
M6X30mm

D\*20



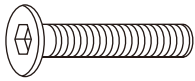
ST5X50mm

K



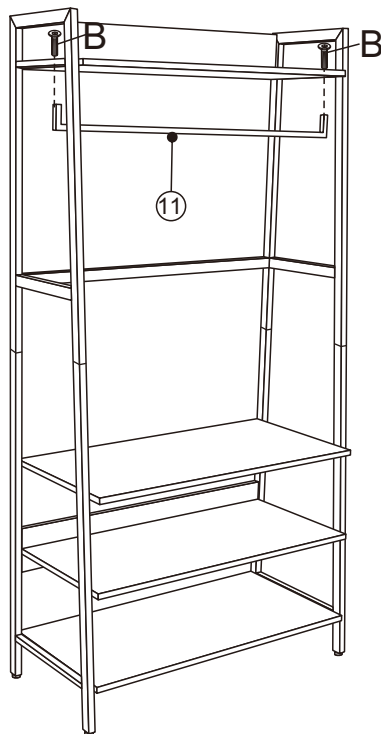
6

B\*2



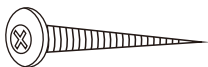
M6X25mm

K



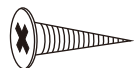
7

E\*2



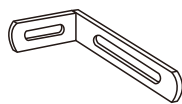
ST4X25mm

F\*4

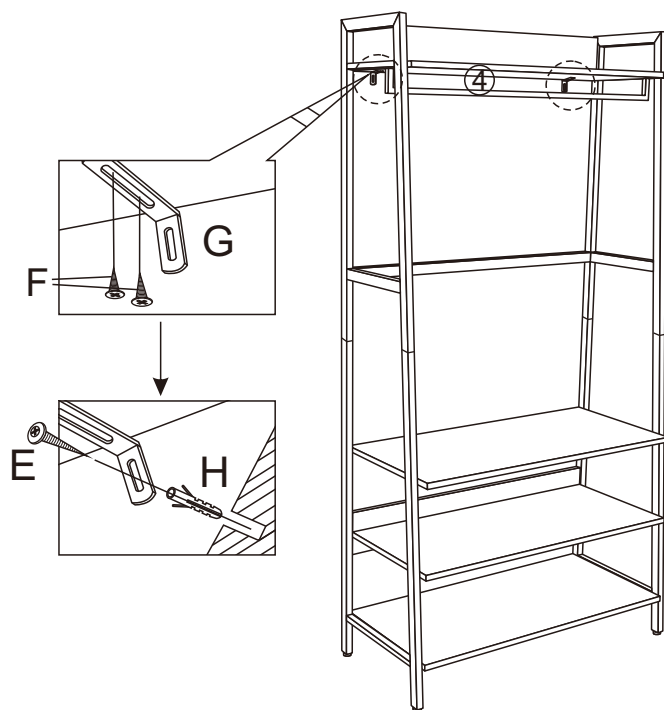
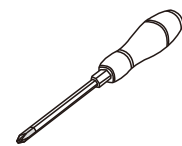


ST3.5X14mm

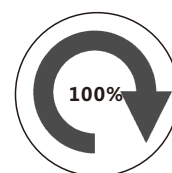
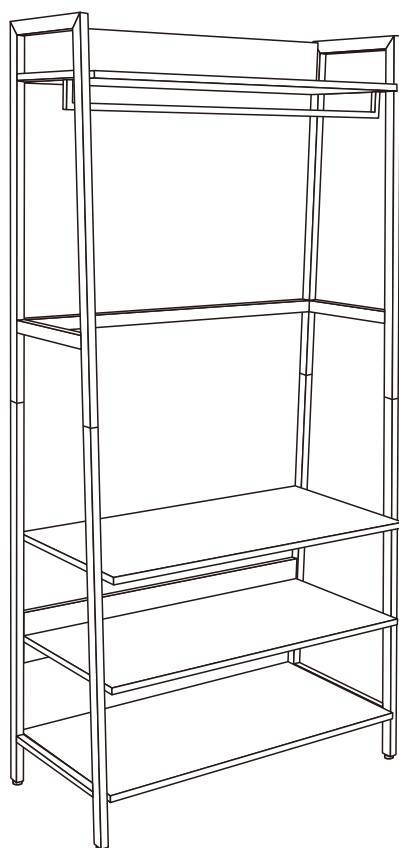
G\*2



H\*2



## 8 Finish



ALL SCREW

# **Maintenance and Repair**

**To protect your furniture, we recommend:**

- 1. Avoid placing furniture in direct sunlight**
- 2. Keep away the products from children while assembling. Watch out for children climbing on the products.**
- 3. Clean the products with clean rag.**
- 4. If the product is stained with oil, please wipe with general detergent.**
- 5. Clean the product with clean rag that is not easy to depilate, screw dry and wipe with water.**
- 6. Please handle the product with care.**